

HM-TD2A37T-15/Q Thermographic Network Box Camera



The Thermographic Network Box Camera with small size, low power consumption and simple integration realizes real-time high-accuracy object temperature measurement.

- High sensitivity sensor with 384 x 288 resolution
- Object temperature range: -20°C to 150°C (-4°F to 302°F), 0 °C to 650 °C (32°F to 1202 °F); Max (±2 °C, ±2%)
- Temperature measurement at user-defined points, lines, and areas
- Thermal image frame rate: 50 fps
- A highlighted cross at the max. temperature in the thermal image
- Color alarm (isotherm) available for Above, Between, and Below object temperatures
- Support mirroring, digital zoom(2x,4x,8x)

▪ Specification

Thermal Module	
Image Sensor	Vanadium Oxide Uncooled Focal Plane Arrays
Resolution	384 x 288
Pixel Pitch	17 μm
NETD	$\leq 35 \text{ mK}$ (@25° C, F# = 1)
Focal Length	15 mm
Focus Mode	Semi-auto & Manual, Athermalized
IFOV	1.13 mrad
Aperture	F 1.0
Field of View	25.3° × 18.9° (H × V)
Min. Focusing Distance	0.5 m
Measurement and Analysis	
Object Temperature Range	-20°C to 150°C (-4°F to 302°F), 0°C to 650 °C (32°F to 1202°F)
Temperature Accuracy	Max. ($\pm 2^\circ\text{C}$, $\pm 2\%$)
Measurement Presets	Hot spot, cold spot in real time
Point	10 User Presets
Line	1 User Presets
Area	10 User Presets
Color Alarm (Isotherm)	Above/Between/Below
Thermographic Integration	
Temperature Metadata	Continuous output data of preset thermographic rules and measured temperature
Thermographic Data Encoding	4 fps, 32-bit 384 × 288 per frame
Thermographic Data Upload	Real-time full-screen thermographic data matrix (16-bit or 32-bit 384 × 288) via RTSP, ISAPI, and SDK
Raw Data Upload	Real-time full-screen YUV data via RTSP and SDK
Video and Image	
Main Stream	50 fps (384 × 288)
Video Compression	H.265/H.264/MJPEG
Color Palettes	15 options: White Hot, Black Hot, Fusion 1, Rainbow, Fusion 2, Ironbow 1, Ironbow 2, Speia, Color 1, Color 2, Ice Fire, Rain, Red Hot, Green Hot, Dark Blue
Digital Zoom	2x, 4x, 8x
Network	
Protocols	IPv4/IPv6, HTTP, HTTPS, 802.1x, Qos, FTP, SMTP, UPnP, SNMP, DNS, DDNS, NTP, RTP, RTCP, RTP, TCP, UDP, IGMP, ICMP, DHCP, PPPoE, Bonjour, SFTP, SRTP
Network Storage	NAS (NFS, SMB/CIFS),

API	MODBUS, ISAPI, Network SDK, Open Network Video Interface (Profile S, Profile G)
Simultaneous Live View	Up to 20 channels
User/Host level	Up to 32 users, 3 levels: Administrator, Operator, User
Security	User authentication (ID and PW), MAC address Binding, HTTPS Encryption, IEEE 802.1x(EAP-MD5, EAP-TLS), Access Control, IP Address Filtering, Illegal Login, HDD Full, HDD Error, Network Disconnected
Client	HIKMICRO Studio
Interface	
Alarm Input	1, alarm input (0-3.3 VDC)
Alarm Output	1, alarm output; NC, level quantity
Alarm Action	Preset/patrol scan/alarm record/relay output/smart capture/FTP upload/email linkage
Communication Interface	1, RJ45 10 M/100 M/1000 M self-adaptive Ethernet interface 1, RS-485 interface (ModBus available)
Analog Output	1, CVBS output
General	
Menu Language	English
Power Supply	10-30 VDC
Power Consumption	4.8W Max
Working Temperature/Humidity	-20 °C to 50 °C (-4 °F to 122 °F) 90% or less
Protection Level	IP40
Dimensions	93 mm × 50 mm × 50 mm (3.66" x 1.97" x 1.97")
Mount	M3
Material	Aluminum alloy
Weight	Approx. 344 g (0.76 lb.)

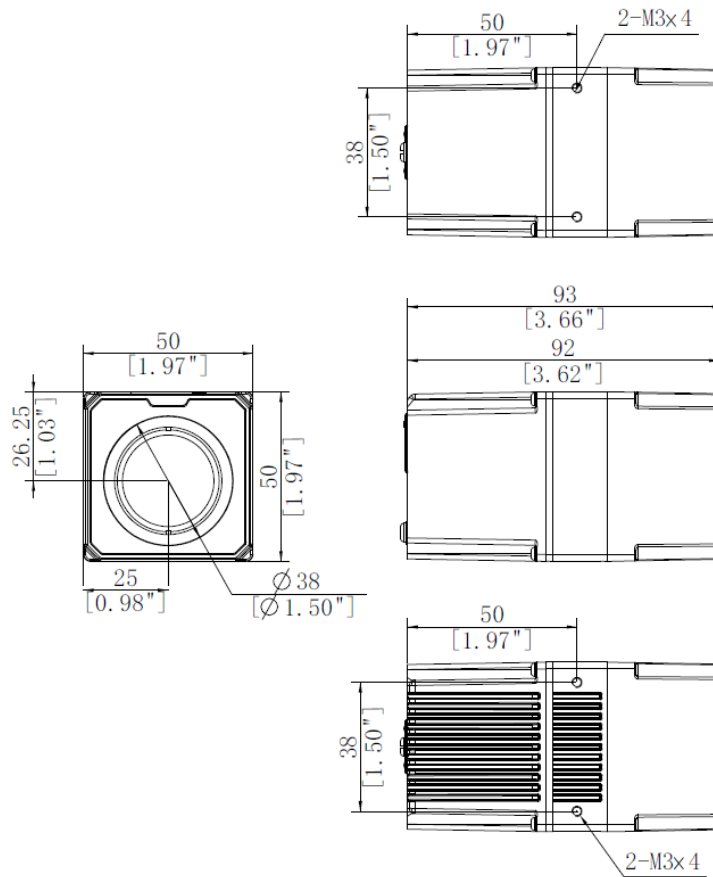
▪ Appearance



▪ Available Model

HM-TD2A37T-15/Q

▪ Dimension



Unit:mm[Inch]

COMPLIANCE NOTICE: The thermal series products might be subject to export controls in various countries or regions, including without limitation, the United States, European Union, United Kingdom and/or other member countries of the Wassenaar Arrangement. Please consult your professional legal or compliance expert or local government authorities for any necessary export license requirements if you intend to transfer, export, re-export the thermal series products between different countries.

