

BX20 Handheld Thermography Camera



HIKMICRO BX20 is certified to measure temperature in many explosive environments to quickly find invisible faults. It's equipped with a 256 x 192 resolution thermal detector and 2MP visual camera. The temperature ranges from -20°C to 550°C (-4°F to 1022°F), which meets the most situation. It helps the staff to quickly find the fault according to accurate temperature measurements of high-temperature targets in the environment. Meanwhile, it provides assistance in the decision and ensures safety.

▪Key Features

- ATEX: II 3 G Ex ic IIC T6 Gc, II 3 D Ex ic IIIC T85°C Dc
- IECEx: Ex ic IIC T6 Gc, Ex ic IIIC T85°C Dc
- Thermal resolution: 256 × 192 (49,152 pixels)
- Temperature measurement range : -20°C to 550°C (-4°F to 1022°F)
- 25 Hz image frequency
- 3.2" LCD screen display
- Up to 6 hours continuous running

▪ Specification

Infrared Image	
IR Resolution	256 × 192 (49,152 pixels)
NETD	< 40 mK (@ 25 °C, F#=1.0)
Image Frequency	25 Hz
Detector Pitch	12 μm
Spectral Range	7.5 to 14 μm
Focal Length	3.6 mm
F-number	F1.0
Field of View (FOV)	37.2° × 50.0°
Spatial Resolution (IFOV)	3.3 mrad
Min. Focus Distance	0.3 m (0.98 ft)
Focus Mode	Focus Free
SuperIR	Yes, on captured thermal images
Image Display	
Visual Camera	1600 × 1200 (2 MP)
Display	240 × 320 Resolution, 3.2"LCD Screen
Color Palettes	White Hot, Black Hot, Rainbow, Ironbow, Red Hot,Fusion
Color Alarm	Above alarm
Image Modes	Thermal/Visual/Fusion/PIP
Measurement and Analysis	
Object Temperature Range	Range -20°C to 150°C (-4°F to 302°F) Range 100°C to 550°C (212°F to 1022°F)
Accuracy	Max. (± 2°C/3.6°F, ± 2%), for ambient temperature 15°C to 35°C (59°F to 95°F) and object temperature above 0°C (32°F)
Measurement Tools	Center Spot, Hot Spot, Cold Spot User-definable: 3 spots
Level and Span Mode	Auto/Manual
Data Storage and Communication	
Storage Media	Built-in 16 GB flash memory
Image Storage Capacity	Approx. 90,000 Images
General	
LED Light	Yes
Battery Type	Rechargeable Li-ion battery
USB Interface	USB Type-C
Battery Operating Time	Approx. 6 hours
ATEX / IECEx Certificate Type	ATEX: II 3 G Ex ic IIC T6 Gc, II 3 D Ex ic IIIC T85°C Dc IECEx: Ex ic IIC T6 Gc, Ex ic IIIC T85°C Dc
Battery Charging Time	Approx. 3 hours fully charged
Protection Level	IP64
Drop Test Height	2 m (6.56 ft)
Working Temperature Range	-20°C to 50°C (-4°F to 122°F)
Storage Temperature Range	-20°C to 60°C (-4°F to 140°F)
Relative Humidity	< 95% non-condensing
Weight	Approx. 380 g (0.84 lb)
Dimension	221.7 × 73.5 × 123.8mm (8.73 × 2.89 × 4.87 in)

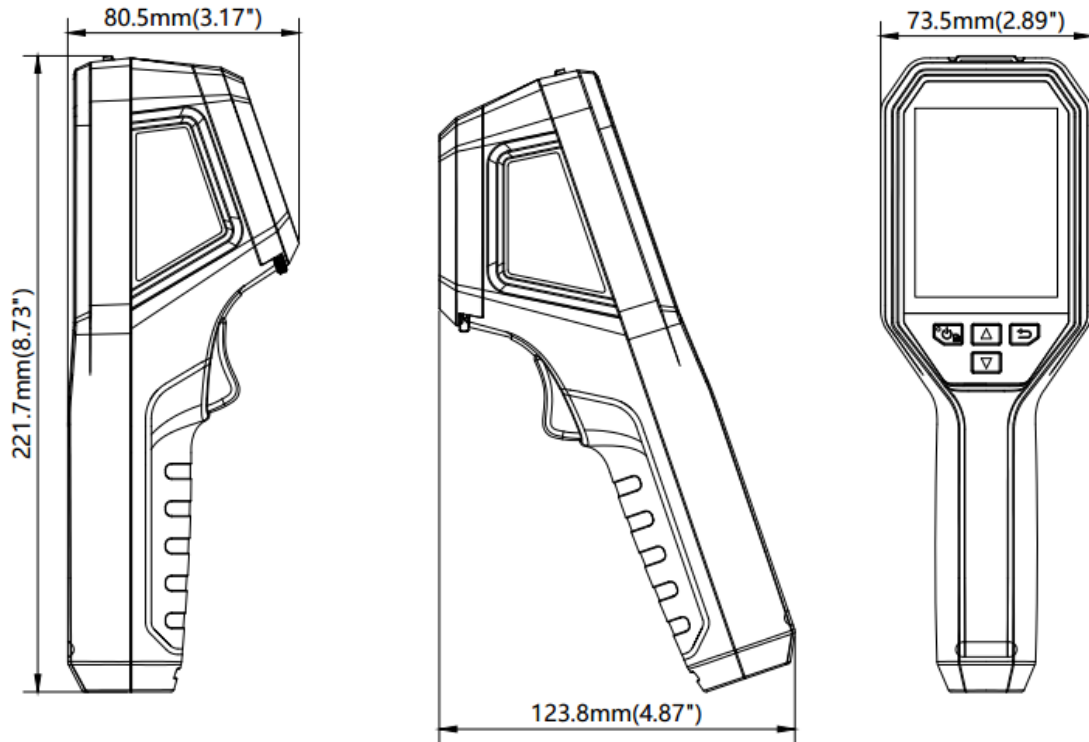
Tripod Mounting

UNC ¼"-20

▪ Available Model

HM-TP52N-3AQF-BX20

▪ Dimension



▪ Packaging List



Camera (× 1)



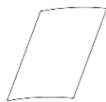
USB 2.0 A to USB Type-C Cable
(× 1)



Power Supply for Battery
Charger (× 1)



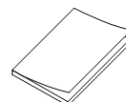
International Use Plugs
(US/EU/UK/AU) for Power Supply



Calibration Certificate
(× 1)



Wrist Strap (× 1)



QSG (× 1)

- **Accessory**

- **Optional**

**HM-B01-POUCH
POUCH**



- **COMPLIANCE NOTICE:** The thermal series products might be subject to export controls in various countries or regions, including without limitation, the United States, European Union, United Kingdom and/or other member countries of the Wassenaar Arrangement. Please consult your professional legal or compliance expert or local government authorities for any necessary export license requirements if you intend to transfer, export, re-export the thermal series products between different countries.



 Hikmicro Industrial

 hikmicro_industrial

 HIKMICRO Industrial

 HIKMICRO

 info@hikmicrotech.com

 www.hikmicrotech.com

© Hangzhou Microimage Software Co., Ltd. All Rights Reserved.

*Note: Specifications are subject to change without notice. For the current specs,
please go to www.hikmicrotech.com