

MiniX



The HIKMICRO innovation MiniX is a versatile thermal imaging tool that wirelessly connects to your smart device. The MiniX provides brackets for flexible installation options, such as clipping it onto your phone or tablet for easy one-handed operation, magnetic wall mounting, or tripod installation for long-term temperature monitoring. It features a dual-lens, a high-resolution VOx detector, and a 0.3 MP optical camera for added detail. With SuperIR™ and fusion features, you can capture crisp thermal images and quickly locate hidden problems with accurate temperature measurements. The wide temperature range of -20°C to 550°C makes it ideal for building inspection, HVAC, electrical, and mechanical equipment maintenance. The MiniX has a 25 Hz frame rate for fast inspections and a Wi-Fi function for real-time image sharing. It's a powerful thermography tool that fits in your pocket, ready whenever you need it.

▪ Features

- Thermal resolution: 256 × 192 (49,152 pixels) , NETD: < 40 mK (@ 25°C, F# = 1.0)
- SuperIR image enhancement technology on live view and captured images
- Wireless connection For iOS and Andriod
- 25 Hz image frequency
- Accuracy: ±2 °C (-20 °C to 100 °C) ; ±2 % (100 °C to 550 °C)
- Accurately measure temperature from -20°C to 550°C (-4°F to 1022°F)
- Thermal, Fusion, PIP, Visual, and Blending modes
- 0.3MP visual camera

▪ Specification

| Infrared Image | |
|---|--|
| IR Resolution | 256 × 192 (49,152 pixels) |
| SuperIR | Yes, on captured images and live view |
| NETD | < 40 mK (@ 25 °C, F#=1.0) |
| Image Frequency | 25 Hz |
| Detector Pitch | 12 μm |
| Spectral Range | 7.5 to 14 μm |
| Focal Length | 3.6 mm |
| F-number | F1.0 |
| Field of View (FOV) | 37.2° × 50.0° |
| Spatial Resolution (IFOV) | 3.33 mrad |
| Min. Focus Distance | 0.05 m (0.164 ft) |
| Focus Mode | Manual Focus |
| Image Display | |
| Visual Camera | 640× 480 (0.3 MP) |
| Color Palettes | White Hot, Black Hot, Rainbow, Ironbow, Red Hot, Fusion, Rain, Blue Red |
| Image Modes | Thermal/Visual/Fusion/PIP/Blending |
| Measurement and Analysis | |
| Object Temperature Range | Range -20°C to 150°C (-4°F to 302°F) Range 100°C to 550°C (212°F to 1022°F) |
| Accuracy | Max (±2°C/3.6°F, ±2%), for the ambient temp. 15°C to 35°C (59°F to 95°F) and object temp. above 0°C (32°F) |
| Measurement Tools | Center Spot, Hot Spot, Cold Spot User-definable: 3 spots, 3 rectangles and 1 line |
| Level and Span Mode | Auto/Manual |
| Data Storage and Communication | |
| Image File Format | Radiometric JPEG, saved in HIKMICRO Viewer App |
| Video File Format | MP4 video (25 Hz), saved in HIKMICRO Viewer App |
| Radiometric Infrared-Video Streaming (Compressed) | Over UVC (5Hz) |
| General | |
| Wi-Fi | 802.11 b/g/n (2.4 GHz and 5 GHz) |
| USB Interface | USB Type-C |
| Installation Method | Clipping it onto your phone or tablet, magnetic wall mounting, or tripod mounting |
| Software Compatibility | HIKMICRO Viewer app for iOS and Android, HIKMICRO Analyzer software for Windows |
| Device Compatibility | iOS (version 14 and later), Android (version 9 and later) smartphones and tablets, or Windows devices |

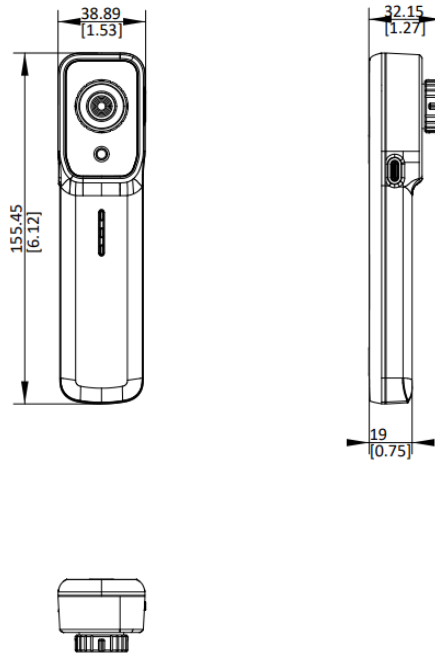
| | |
|---------------------------|---|
| Power Supply | USB-C (5V/2A) |
| Power Saving Mode | Auto Power-off |
| Battery Type | Rechargeable Li-ion battery |
| Battery Operating Time | Approx. 4 hours |
| Battery Charging Time | Supports fast charging. Charge to 50% capacity in 30 minutes, 85% in 1 hour, and 100% in 2 hours. |
| Battery Indicator | Yes, indicating battery level and charging status |
| Protection Level | IP54 |
| Drop Test Height | 1 m (3.28 ft) |
| Working Temperature Range | -10°C to 50°C (-4°F to 122°F) |
| Storage Temperature Range | -20°C to 70°C (-4°F to 158°F) |
| Relative Humidity | < 95% non-condensing |
| Weight | Approx. 158 g (0.35 lb) |
| Dimension | 155.45 × 38.89 × 32.15 mm (6.12 × 1.53 × 1.27 in) |

▪ Available Model

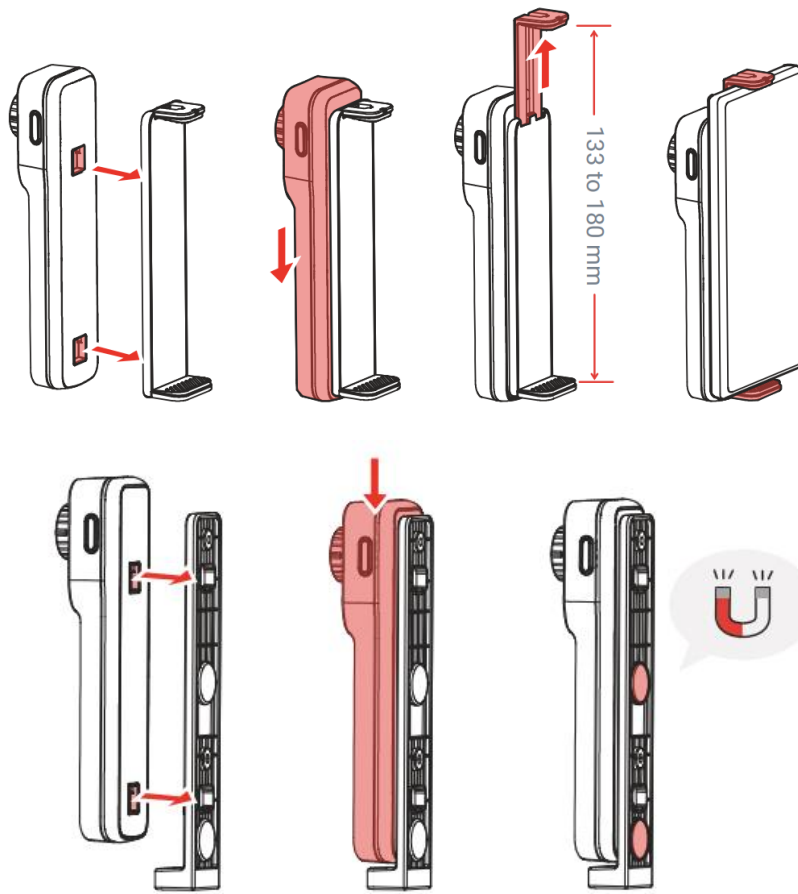
HM-TJ52-3AQF/W-MiniX

HM-TJ52G-3AQF/W-MiniX

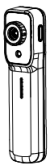
▪ Dimension



Unit: mm [inch]



▪ Packaging List



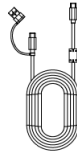
Thermal imager *1



Surface mount holder *1



Phone mount holder *1



USB cable *1



Quick start guide*1



Imager case *1

COMPLIANCE NOTICE: The thermal series products might be subject to export controls in various countries or regions, including without limitation, the United States, European Union, United Kingdom and/or other member countries of the Wassenaar Arrangement. Please consult your professional legal or compliance expert or local government authorities for any necessary export license requirements if you intend to transfer, export, re-export the thermal series products between different countries.



 Hikmicro Industrial

 hikmicro_industrial

 HIKMICRO Industrial

 HIKMICRO

 info@hikmicrotech.com

 www.hikmicrotech.com

© Hangzhou Microimage Software Co., Ltd. All Rights Reserved.

*Note: Specifications are subject to change without notice. For the current specs,
please go to www.hikmicrotech.com