

SP60 Handheld Thermal Camera



The HIKMICRO SP60 high-performance handheld thermal camera is ideal for industrial, predictive, oil and gas, and utility maintenance inspections. HIKMICRO SP60 has a high sensitivity (NETD < 30 mK) and high resolution (640 × 480) HIKMICRO VOx detector, and the temperature calibration is up to 650°C. This flexible and ergonomic thermal imager provides an electronic viewfinder and a 180° rotating lens, making long-day outdoor inspections easier. Advanced features help thermal imaging professionals to easily survey equipment and find signs of malfunction, such as GPS and compass annotations, continuous digital zoom, and 1-Tap level and span. Connect HIKMICRO Viewer App or HIKMICRO Analyzer software to transfer, analyze, and share pictures, and generate reports for free.

Key Features

- Thermal resolution: 640 x 480 (307 200 pixels), NETD: < 30 mK (@ 25 °C, F#=1.0)
- Temperature measurement range : -20 °C to 650 °C (-4 °F to 1202 °F)
- Accuracy: Max (±2°C/3.6°F, ±2%)
- The 90° rotating screen and the 180° rotating lens design
- 1024 x 768 OLED electronic viewfinder and auto-brightness 5-inch color LCD display
- 1.x to 12.x continuous digital zoom
- Manual, automatic, and 1-Tap Level and Span
- GPS & compass annotation functions
- 30 Hz image frequency
- Up to 4 hours continuous running

▪ Specification

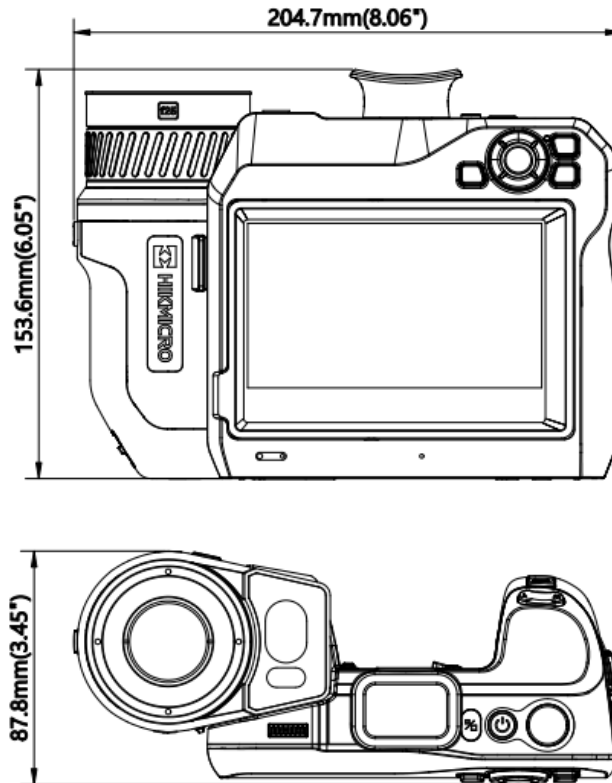
| Infrared Image | |
|---|--|
| IR Resolution | 640 × 480 (307,200 pixels) |
| SuperIR | 1280 x 960 (1,228,800 pixels) |
| NETD | < 30 mK (@ 25 °C, F#=1.0) |
| Image Frequency | 30 Hz |
| Detector Pitch | 17 μm |
| Spectral Range | 7.5 to 14 μm |
| Focal Length | L8: 77.4 mm; L12: 51.4 mm; L25: 25 mm; L50: 12.6 mm |
| F-number | L8: F1.2; L12: F1.1; L25: F1.0; L50: F1.0 |
| Field of View (FOV) | L8: 8° × 6°; L12: 12° × 9°; L25: 24.8° × 18.7°; L50: 50° × 37.3° |
| Spatial Resolution (IFOV) | L8: 0.22 mrad; L12: 0.33 mrad; L25: 0.68 mrad; L50: 1.35 mrad |
| Min. Focus Distance | L8: 2 m (6.56 ft); L12: 1 m (3.3 ft); L25: 0.2 m (0.65 ft); L50: 0.2 m (0.65 ft) |
| Focus Mode | Laser Assisted AF/Continuous AF/AF/Manual Focus/Touch AF |
| Focus Speed | Approx. 1 second |
| Image Display | |
| Visual Camera | 3264 × 2448 (8 MP) |
| Display | 1280 × 720 Resolution, 5" LCD Touch Screen |
| Screen Brightness | Manual/Auto |
| Viewfinder | 1024 × 768 pixels OLED |
| Digital Zoom | 1.x to 12.x continuous |
| Color Palettes | White Hot, Black Hot, Rainbow, Ironbow, Red Hot, Fusion, Rain, Blue Red |
| Focus Mode Palette | Above/Below/Interval |
| Color Alarm | Above/Below/Interval/Insulation |
| Image Modes | Thermal/Visual/Fusion/PIP/Blending |
| Measurement and Analysis | |
| Object Temperature Range | -20°C to 650°C (-4°F to 1202°F) |
| Accuracy | Max. (± 2°C/3.6°F, ± 2%) |
| Measurement Tools | Center Spot, Hot Spot, Cold Spot User-definable: Delta T, 10 spots, 1 line, 5 rectangles, and 5 circles |
| Level and Span Mode | Auto/Manual/1-Tap Touch-Screen |
| Inspection Route | Yes |
| Data Storage and Communication | |
| Storage Media | Removable 64 GB SD Card |
| Image Storage Capacity | Approx. 60,000 Images |
| Annotations | Voice note: max. 60 seconds; Text note: max. 200 characters |
| Video Storage Capacity | Approx. 64 hours |
| Video File Format | MP4 video and radiometric video |
| Image Format | Radiometric JPEG |
| Radiometric Infrared-Video Streaming (Compressed) | Over UVC, Wi-Fi |

| General | |
|---------------------------|---|
| Wi-Fi | 802.11 b/g/n (2.4 GHz and 5 GHz) |
| Bluetooth | Bluetooth 4.2 |
| USB Interface | USB Type-C |
| HDMI Interface | HDMI-D |
| Laser Pointer | Yes |
| Laser | Yes, Class II, Wavelength: 635 nm; Power: <1 mW |
| Laser Distance Meter | Indoor distance: 50 m (164 ft); Outdoor distance: 10 m (33 ft). |
| GPS & Compass | Yes |
| LED Light | Yes |
| Battery Type | Interchangeable and rechargeable Li-ion battery |
| Battery Operating Time | Approx. 4 hours |
| Battery Charging Time | Approx. 2.5 hours fully charged |
| Power Saving Mode | Yes |
| Programmable Buttons | 2 |
| Protection Level | IP54, IEC 60529 |
| Drop Test Height | 1 m (3.28 ft), IEC 60068-2-31 |
| Safety | IEC 61010-1 |
| EMC | EN 301 489-1, EN 301 489-17, EN IEC 61000-6-2, EN IEC 61000-6-4, EN 61326-1 |
| Vibration | 2 g, IEC 60068-2-6 |
| Shock | 25 g, IEC 60068-2-27 |
| Working Temperature Range | -20°C to 50°C (-4°F to 122 °F) |
| Storage Temperature Range | -20°C to 60°C (-4°F to 140°F) |
| Relative Humidity | <95% non-condensing |
| Weight | Approx. 1481 g (3.27 lb) |
| Dimension | 204.7 × 153.6 × 87.8 mm (8.06 × 6.05 × 3.45 in) |
| Tripod Mounting | UNC ¼"-20 |

▪ Available Model

HM-TP96-Q/W-SP60-L25/50
 HM-TP96-Q/W-SP60-L12/25
 HM-TP96-Q/W-SP60-L8/25
 HM-TP96-Q/W-SP60-L12/50
 HM-TP96-Q/W-SP60-L12
 HM-TP96-Q/W-SP60-L8
 HM-TP96-Q/W-SP60-L50
 HM-TP96-Q/W-SP60-L25

▪ Dimension



▪ Optional Accessory



HM-20322ZC



HM-7250DC



HM-SP620-MACRO



HM-SP605-LENS



HM-SP610-LENS



HM-SP620-LENS



HM-SP630-LENS



HM-SP01-POUCH



HM-SP650-MACRO

COMPLIANCE NOTICE: The thermal series products might be subject to export controls in various countries or regions, including without limitation, the United States, European Union, United Kingdom and/or other member countries of the Wassenaar Arrangement. Please consult your professional legal or compliance expert or local government authorities for any necessary export license requirements if you intend to transfer, export, re-export the thermal series products between different countries.



HIKMICRO Thermography hikmicro_thermography HIKMICRO Thermography HIKMICRO info@hikmicrotech.com <http://hikmicrotech.com/en>

© 2023 Hangzhou HIKMICRO Sensing Technology Co., Ltd. All Rights Reserved.
Data subject to change without notice!