

HM-THUNDER 2.0-E

Eyepiece

The HM-THUNDER2.0-E Eyepiece is used to transform THUNDER 2.0 clip-on to a monocular.

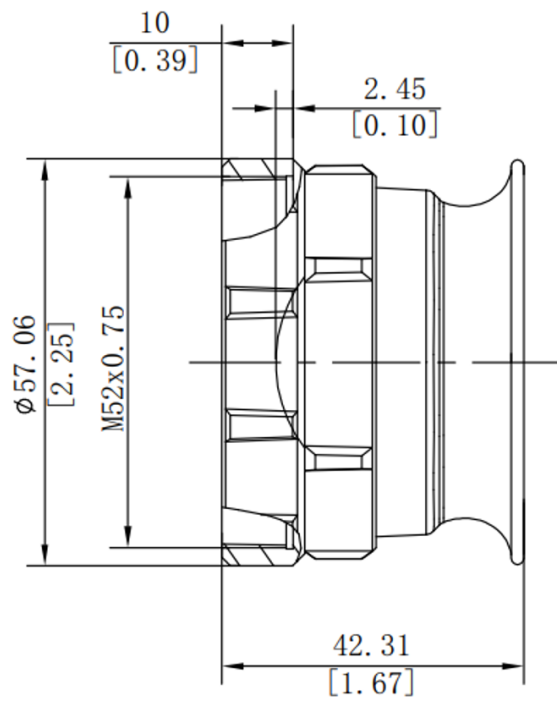
Specification

Image Display	
Exit Pupil	6 mm
Eye Relief	15 mm
Diopter (Range)	-5 D to 5 D
General	
Dimension	57.1 mm × 57.1 mm × 42.3 mm
Weight	97.7 g
Thread	M52 × 0.75 mm
Apply for	THUNDER 2.0

▪ Available Model

HM-THUNDER 2.0-E

▪ Dimension



Unit: mm [Inch]



HIKMICRO SIGHT



 HIKMICRO Outdoor  hikmicro_outdoor  HIKMICRO Outdoor  HIKMICRO  info@hikmicrotech.com  <http://hikmicrotech.com/en>

Room 313, Unit B, Building 2, 399 Danfeng Road, Xixing Subdistrict, Binjiang District, Hangzhou, Zhejiang
@hangzhou microimage software co.,Ltd .2020 | data subject to change without notice!