

HM-THUNDER 3.0-E

Eyepiece



The HM-THUNDER 3.0-E Eyepiece is used to transform THUNDER 3.0 clip-on to a monocular.

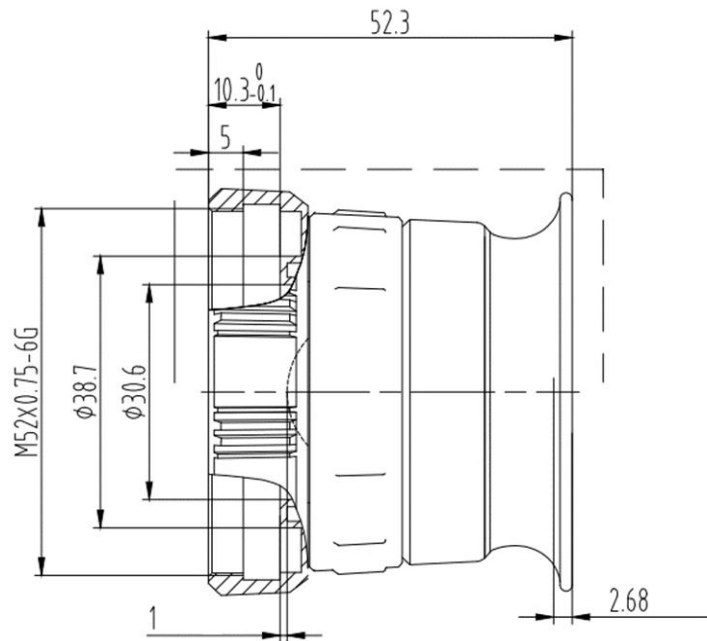
· Specification

Image Display	
Exit Pupil	5 mm
Eye Relief	15 mm
Diopter (Range)	-5D to 5D
General	
Dimension	58 mm × 58 mm × 52.3 mm
Weight	104.5 g
Thread	M52 × 0.75 mm
Apply for	THUNDER 3.0

· Available Model

HM-THUNDER 3.0-E

• Dimension



Unit: mm

COMPLIANCE NOTICE: The thermal series products might be subject to export controls in various countries or regions, including without limitation, the United States, European Union, United Kingdom and/or other member countries of the Wassenaar Arrangement. Please consult your professional legal or compliance expert or local government authorities for any necessary export license requirements if you intend to transfer, export, re-export the thermal series products between different countries.



Hikmicro Hunting.Global HIKMICRO Outdoor www.hikmicrotech.com hikmicro hunting.global HIKMICRO info@hikmicrotech.com

Room 313, Unit B, Building 2, 399 Danfeng Road, Xixing Subdistrict, Binjiang District, Hangzhou, Zhejiang
© Hangzhou Microimage Software Co., Ltd. All rights reserved. | Data subject to change without notice!