

SH35L 3.0

Thermal Scope



HIKMICRO STELLAR SH35L 3.0 Thermal Scope is equipped with a $384 \times 288 @12 \mu\text{m}$ thermal detector, with much higher sensitivity (NETD<15 mK) and the latest image processing algorithm (Image Pro 2.0) and shutterless system (HSIS), ensuring users catch the finest details no matter the weather or light conditions without interruption. With a 2560×2560 1.03" OLED larger display, SH35L 3.0 makes it easier to spot targets quickly and accurately. The built-in 1000 m LRF and ballistic calculation contribute to more accurate shooting. The scope is mainly used for field and forest hunting.

Key Feature

- 384×288 resolution @12 μm thermal detector
- High sensitivity thermal module NETD < 15 mK (@25°C, F# = 1.0)
- 35 mm, F1.0 lens with detection range up to 1800 m
- 2560×2560 resolution 1.03-inch OLED display
- HIKMICRO Shutterless Image System (HSIS)
- Built-in laser rangefinder up to 1000 m, with ballistic calculation
- Rechargeable internal batteries and external battery, 9h continuous operation
- High shock resistance up to 1000 g/0.4 ms

Specification

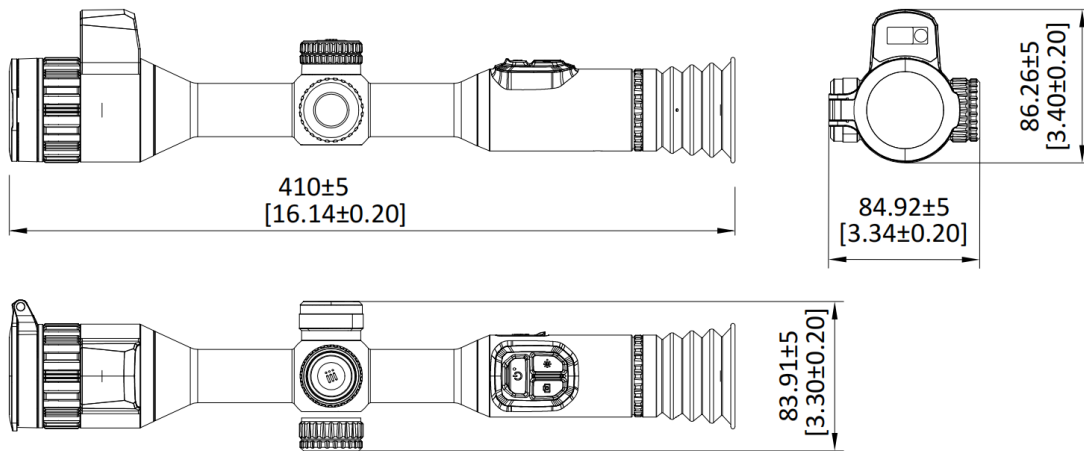
Thermal Module	
Image Sensor	VOx Uncooled Focal Plane Arrays
Max. Resolution	384 × 288
Frame Rate	50 Hz
Pixel Interval	12 μm
Response Waveband	8 μm to 14 μm
NETD	Less than 15 mK (@25°C, F# = 1.0)
Lens (Focal Length)	35 mm, F1.0
Focus Mode	Focus Ring
Detection Range	1800 m
Min. Focusing Distance	3 m
Magnification	4.2× to 24.2× Support 1× step value of continuous zooming
Field of View(H × V), Degrees / m @100 m	7.5° × 5.7°/13.1 m × 10.0 m
Image Display	
Display	2560 × 2560, 1.03-inch OLED
Palettes	Black Hot, White Hot, Red Hot, Fusion, Red Monochrome, Green Monochrome
Exit Pupil	6 mm
Eye Relief	45 mm
Diopter (Range)	-4D to 4D
Brightness Adjustment	Yes
Tone Adjustment	Cold, Warm
Contrast Adjustment	Yes
Zoom Pro	Yes
Image Pro 2.0	Yes
HSIS (HIKMICRO Shutterless Image System)	Yes
System	
Record Video	On-board Video Recording
Capture Snapshot	Yes
Audio Recording	Yes
Recoil-activation Recording	Yes
Standby Mode	Yes
Storage	Built-in EMMC (64 GB)
PIP	Yes
Hotspot	Yes
Hot Track	Yes
Distance Measurement	Yes
Zeroing Profiles	5

Max. Recoil	1000 g/0.4 ms
Freeze Zeroing	Yes
Local Album	Yes
Ballistic Calculation	Yes
Power Supply	
Battery Type	Two rechargeable Lithium batteries (internal), one replaceable and rechargeable 18650 battery (external)
Battery Operating Time	9 hours continuous running (@25°C, Zoom Pro, LRF on)
Type-C Power Supply	DC 5 V/2 A, USB Type-C interface Supports QC3.0 * Only the built-in battery will be charged via the type-C cable. Use the battery charger to charge the external battery.
General	
Mounting	Standard 30 mm
Protection Level	IP67
Dimension	410 mm × 85 mm × 86.3 mm
Working Temperature	-30°C to 55°C (-22°F to 131°F)
Weight	830 g without external battery
Center Height	32 mm
Laser Rangefinder	
Safety Class for Laser	Class 1
Wavelength	905 nm
Max. Measuring Range	1000 m
Measurement Accuracy	±1 m
Min. Measuring Range	10 m

• Available Model

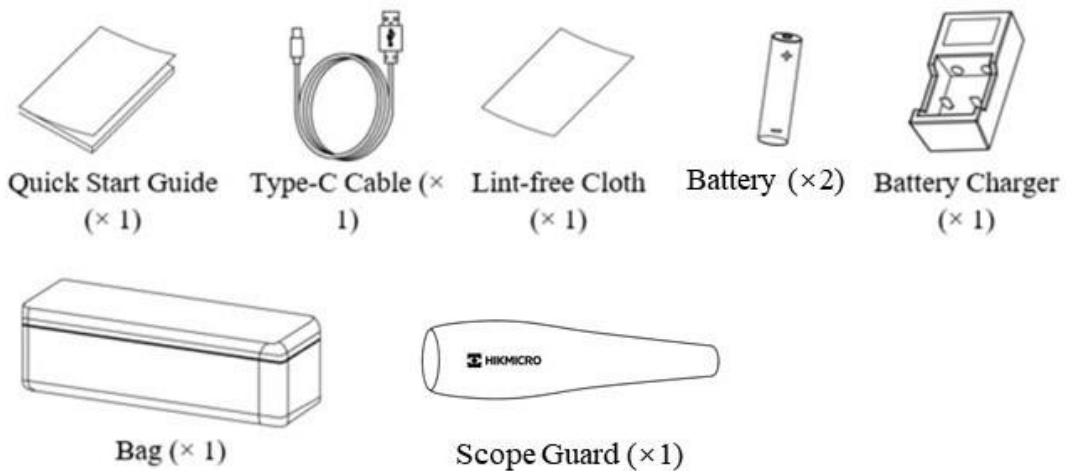
HM-TR83-35S2G/WL-SH35L 3.0

• Dimension



Unit: mm[inch]

• Accessories



COMPLIANCE NOTICE: The thermal series products might be subject to export controls in various countries or regions, including without limitation, the United States, European Union, United Kingdom and/or other member countries of the Wassenaar Arrangement. Please consult your professional legal or compliance expert or local government authorities for any necessary export license requirements if you intend to transfer, export, re-export the thermal series products between different countries.



 Hikmicro Hunting.Global  HIKMICRO Outdoor  www.hikmicrotech.com  [hikmicro_hunting_global](https://www.instagram.com/hikmicro_hunting_global)  HIKMICRO  info@hikmicrotech.com

Room 313, Unit B, Building 2, 399 Danfeng Road, Xixing Subdistrict, Binjiang District, Hangzhou, Zhejiang
© Hangzhou Microimage Software Co., Ltd. All rights reserved. | Data subject to change without notice!