

HM-TD2C68E-25/Q Thermographic Network Box Camera



The Thermographic Network Box Camera with small size, low power consumption and simple integration realizes real-time high-accuracy object temperature measurement.

- High sensitivity sensor with 640 x 512 resolution
- Object temperature range: -20°C to 150°C (-4°F to 302°F),Max (± 1 °C, $\pm 1\%$); 0 °C to 650 °C (32°F to 1202 °F);,Max (± 2 °C, $\pm 2\%$)
- Temperature measurement at user-defined points, lines, and areas
- Thermal image frame rate: 50 fps
- A highlighted cross at the max. temperature in the thermal image
- Color alarm (isotherm) available for Above, Between, and Below object temperatures
- Support mirroring, digital zoom(2x,4x,8x)

• Specification

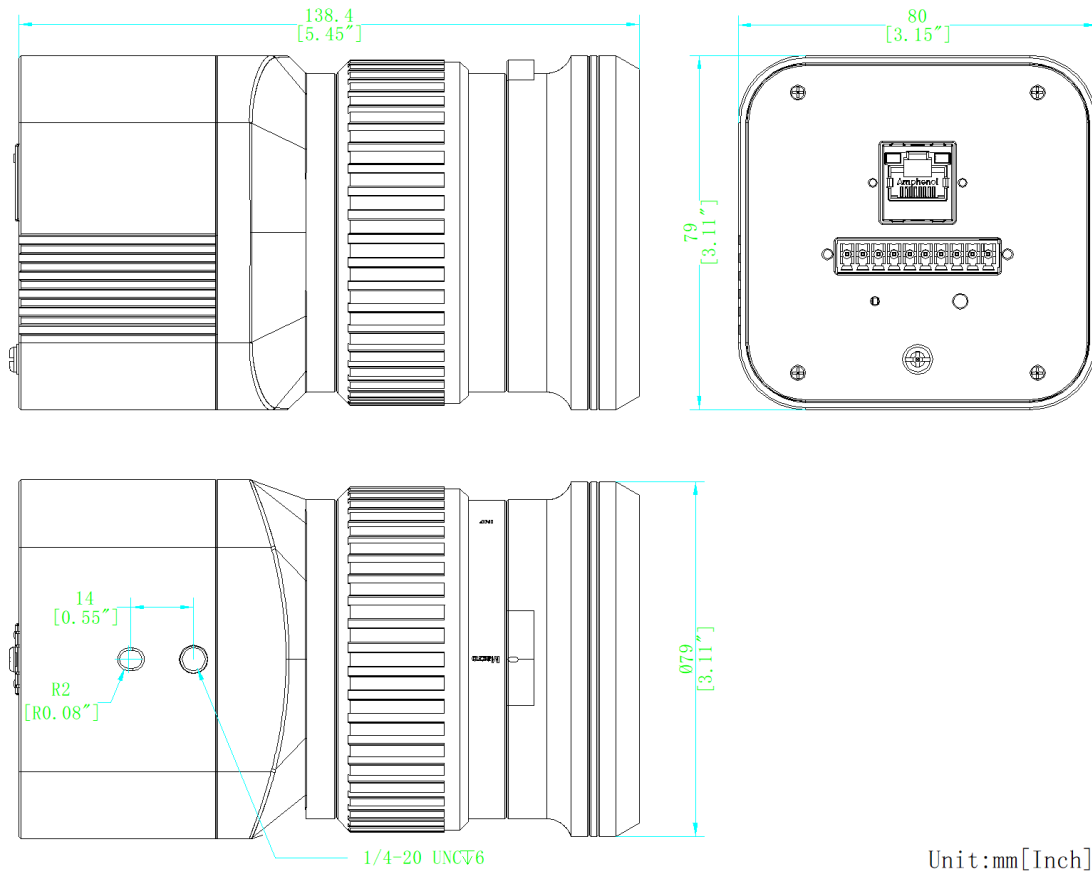
Thermal Module	
Image Sensor	Vanadium Oxide Uncooled Focal Plane Arrays
Resolution	640 × 512
Pixel Pitch	12 μm
NETD	< 35 mK (25 °C, F# = 1.0)
Focal Length	25 mm
Focus Mode	Athermalized
IFOV	0.48 mrad
Field of View	15cm: 17.5°(H) x 14°(V) x 22.3°(D) 4.3cm: 17.9°(H) x 14.3°(V) x 23.0°(D)
Min. Focusing Distance	0.15 m
Aperture	F 1.0
Measurement and Analysis	
Object Temperature Range	Range -20°C~150°C Range 0°C~650 °C
Temperature Accuracy	Range -20~150°C : -20~100°C:±1°C 100~150°C:±1% Range 0~650°C 0~100°C:±2°C 100~650°C:±2%
Measurement Presets	Hot spot, cold spot in real time
Point	10 User Presets
Line	1 User Presets
Area	10 User Presets
Color Alarm (Isotherm)	Above/Between/Below
Thermographic Integration	
Temperature Metadata	Continuous output data of preset thermographic rules and measured temperature
Thermographic Data Encoding	4 fps, 32-bit 640 × 512 per frame
Thermographic Data Upload	Real-time full-screen thermographic data matrix (16-bit or 32-bit 640 × 512) via RTSP, ISAPI, and SDK
Raw Data Upload	Real-time full-screen YUV data via RTSP and SDK
Video and Image	
Main Stream	50 fps (640 × 512)
Video Compression	H.265/H.264/MJPEG
Color Palettes	15 options: White Hot, Black Hot, Fusion 1, Rainbow, Fusion 2, Ironbow 1, Ironbow 2,

	Speia, Color 1, Color 2, Ice Fire, Rain, Red Hot, Green Hot, Dark Blue
Digital Zoom	×2, ×4, ×8
Network	
Protocols	IPv4/IPv6,HTTP,HTTPS,802.1x,Qos,FTP,SMTP,UPnP,SNMP,DNS,DDNS,NTP,RTSP,RTCP,RT P,TCP,UDP,IGMP,ICMP,DHCP,PPPoE,Bonjour,SFTP,SRTP
Network Storage	NAS (NFS, SMB/CIFS)
API	MODBUS, ISAPI, Network SDK, Open Network Video Interface (Profile S, Profile G)
Simultaneous Live View	Up to 20 channels
User/Host level	Up to 32 users, 3 levels: Administrator, Operator, User
Security	User authentication (ID and PW), MAC address Binding, HTTPS Encryption, IEEE 802.1x(EAP-MD5, EAP-TLS), Access Control, IP Address Filtering, Illegal Login, HDD Full, HDD Error, Network Disconnected
Client	HIKMICRO Analyzer
Interface	
Alarm Input	1, alarm input (0-3.3 VDC)
Alarm Output	1, alarm output; NC, level quantity
Alarm Action	Preset/patrol scan/alarm record/relay output/smart capture/FTP upload/email linkage
Analog Output	1, CVBS output
Communication Interface	1, RJ45 10 M/100 M/1000 M self-adaptive Ethernet interface 1, RS-485 interface (ModBus available)
General	
Menu Language	English
Power Supply	10-30 VDC
Working Temperature/Humidity	-20 °C to 50 °C (-4 °F to 122 °F) 90% or less
Power Consumption	3W Max
Protection Level	IP40
Mount	M3
Weight	Approx. 1000g (2.2 lb.)
Dimensions	138.4 mm × 79 mm × 80 mm (5.44" x 3.11" x 3.15")
Material	Aluminum alloy

▪ Available Model

HM-TD2C68E-25/Q

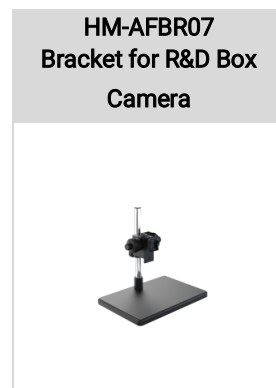
▪ Dimension



Unit:mm[Inch]

▪ Accessory

▪ Optional



COMPLIANCE NOTICE: The thermal series products might be subject to export controls in various countries or regions, including without limitation, the United States, European Union, United Kingdom and/or other member countries of the Wassenaar Arrangement. Please consult your professional legal or compliance expert or local government authorities for any necessary export license requirements if you intend to transfer, export, re-export the thermal series products between different countries.

