

## HM-AHBR01 Desktop Stand Bracket



Adjustable Pole Mount and Stand for Electronics Testing with 1/4" Thread for HIKMICRO Thermal Imaging Camera  
Compatible with the following products: SP Series

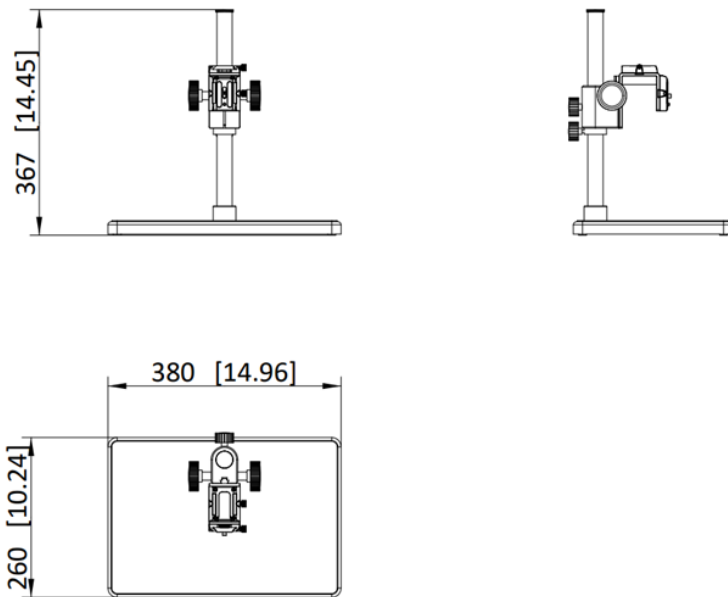
### Specification

General	
Material	Aluminum Alloy
Adjustment Range	Height Adjustment Range from Lens to Baseboard (Vertically Placed): HM-SP605-LENS (f13): 0mm to 244mm (0" to 9.61") HM-SP610-LENS (f25): 0mm to 252mm (0" to 9.92") HM-SP650-MACRO (0.34X): 0mm to 250mm (0" to 9.84") HM-SP620-MACRO (0.85X): 0mm to 252mm (0" to 9.92")
Max. Load Capacity	Max. 1.9 kg (4.19 lb)
Installation Method	1/4"-20 UNC Thread
Weight	Gross Weight: 3.85 kg (8.49 lb) Net Weight: 2.75 kg (6.06 lb)
Package Size	450 mm x 340 mm x 210 mm (17.72" x 13.39" x 8.27")

#### ▪ Available Model

HM-AHBR01

## Dimension

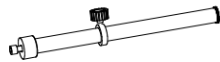


Unit: mm [inch]

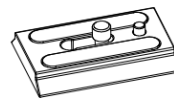
## Packing List



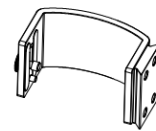
Baseboard ×1



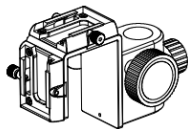
Adjustable Column ×1



Chute Fixed Plate ×1



Vertical Adapter Plate ×1



Adjustable Clamp ×1



M10 & M4 & M2.5 Hexagonal Wrench ×1



Manuals ×1

COMPLIANCE NOTICE: The thermal series products might be subject to export controls in various countries or regions, including without limitation, the United States, European Union, United Kingdom and/or other member countries of the Wassenaar Arrangement. Please consult your professional legal or compliance expert or local government authorities for any necessary export license requirements if you intend to transfer, export, re-export the thermal series products between different countries.

