



HX60L

Multi-Spectrum Binocular

HIKMICRO HABROK Pro HX60L multi-spectrum binocular is equipped with an 18 mK NETD, 1280 × 1024 thermal detector @60 mm thermal lens and an advanced 4K digital detector with 60 mm lens, ensuring perfect image quality and detail recognition in various weather and light conditions. Combined with a 1000 m Laser rangefinder and replaceable IR emitter @850 nm wavelength, this all-in-one binocular can be applied mainly in forest & field hunting, birding, animal searching, rescuing and marine scenario.

Key Feature

- 1280 × 1024 resolution @12 μm thermal detector
- High sensitivity thermal module NETD < 18 mK (@25°C, F#=1.0)
- 60 mm, F1.0 lens with thermal detection range up to 3100 m
- 3840 × 2160 4K ultra high-resolution, 60 mm, F2.2 digital camera
- 1920 × 1080 resolution 0.49-inch OLED display
- Replaceable 850 nm IR emitter and 1000 m Laser Rangefinder
- 9.5 h+ continuous operation time with replaceable battery pack
- 1050 g lightweight, with a compact and ergonomic design

•Specification

Thermal Module	
Image Sensor	VOx Uncooled Focal Plane Arrays
Max. Resolution	1280 × 1024
Frame Rate	25 Hz
Pixel Interval	12 μm
Response Waveband	8 μm to 14 μm
NETD	Less than 18 mK (@25°C), F#=1.0
Lens (Focal Length)	60 mm, F1.0
Focus Mode	Focus Ring
Detection Range	3100 m
Min. Focusing Distance	3 m
Magnification	2.6 × to 20.0 × (7.7 ×)
Field of View(H × V), Degrees / m @100 m	14.6° × 8.8°/25.6 m × 15.4 m
Optical Module	
Image Sensor	1/1.8" Progressive Scan CMOS
Max. Resolution	3840 × 2160
Focal Length	60 mm, F2.2
Min. Working Distance	3 m
Focus Mode	Focus Ring
Magnification	5.5 × to 22.0 × (4 ×)
Field of View (H × V), Degrees/ m @100 m	7.3° × 4.1°/12.6 m × 7.2 m
Smart IR	Yes
IR Illuminator Wavelength	850 nm
Viewing Range at Night	400 m
Replaceable IR Illuminator	Yes
Image Display	
Display	0.49 inch, OLED, 1920 × 1080
Palettes	Thermal: Black Hot, White Hot, Red Hot, Fusion; Optical: Day, Night, Auto
FFC (Flat Field Correction) Mode	Auto, Manual, External Correction
Exit Pupil	8 mm
Eye Relief	15 mm
Diopter (Range)	-5 D to +3 D
Brightness Adjustment	Yes
Tone Adjustment	Cold, warm
Contrast Adjustment	Yes
Zoom Pro	No
Image Pro 2.0	Yes
System	
Record Video	Yes
Capture Snapshot	Yes

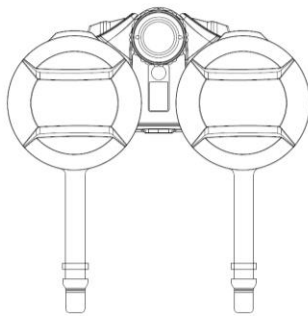
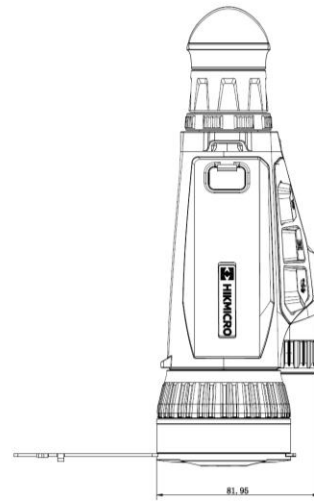
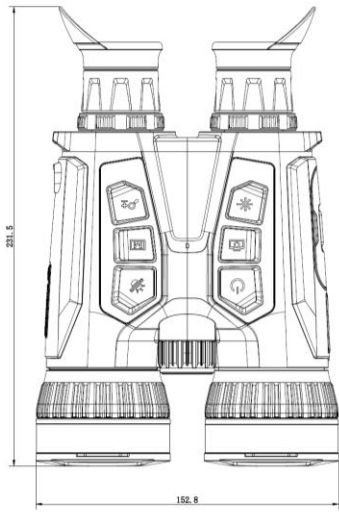
Audio Recording	Yes
Standby Mode	Yes
Storage	Built-in EMMC (64 GB)
PIP	Yes
Hotspot	Yes
Hot Track	Yes
Digital Magnetic Compass	Yes
GPS	Yes
Local Album	Yes
Power Supply	
Battery Type	Replaceable and Rechargeable Li-ion Battery Pack
Battery Operating Time	9.5 h (25°C, with hotspot off, LRF on)
Type-C Power Supply	5 V/9 V DC, 3 A Support External Power Supply, Support Direct Charging
General	
Protection Level	IP67
Dimension	152.8 mm × 81.95 mm × 231.5 mm (6.0" × 3.2" × 9.1")
Weight	1050 g with battery pack
Working Temperature	-30°C to +55°C
Interpupillary Adjustment Range	60 mm to 74 mm
Mounting Adapter	1/4"-20-UNC
Laser Rangefinder	
Safety Class for Laser	Class 1
Wavelength	905 nm
Max. Measuring Range	1000 m
Measurement Accuracy	±1 m
Min. Measuring Range	10 m

Note: The detection range of HX60L (Latvia version) is up to 2999 m.

• Available Model

HM-TSAC-60S2G/W1LVE-HX60L

•Dimension



Unit: mm

Accessories



Neck Strap (× 1)



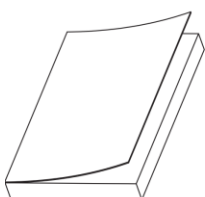
Type-C Cable (× 1)



Tripod Adapter (× 1)



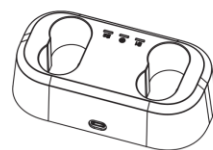
Battery (× 2)



QSG (× 1)



Lint-Free Cloth (× 1)



Battery Charger (× 1)



Binocular Harness (× 1)

COMPLIANCE NOTICE: The thermal series products might be subject to export controls in various countries or regions, including without limitation, the United States, European Union, United Kingdom and/or other member countries of the Wassenaar Arrangement. Please consult your professional legal or compliance expert or local government authorities for any necessary export license requirements if you intend to transfer, export, re-export the thermal series products between different countries.



HIKMICRO SIGHT



Hikmicro Hunting.Global HIKMICRO Outdoor www.hikmicrotech.com hikmicro hunting.global HIKMICRO info@hikmicrotech.com

Room 313, Unit B, Building 2, 399 Danfeng Road, Xixing Subdistrict, Binjiang District, Hangzhou, Zhejiang
© Hangzhou Microimage Software Co., Ltd. All rights reserved. | Data subject to change without notice!