

# SH35 3.0

## Thermal Scope



HIKMICRO STELLAR SH35 3.0 Thermal Scope is equipped with a  $384 \times 288$  @ $12 \mu\text{m}$  thermal detector, with much higher sensitivity (NETD<15 mK) and the latest image processing algorithm (Image Pro 2.0) and shutterless system (HSIS), ensuring users catch the finest details no matter the weather or light conditions without interruption. With a  $2560 \times 2560$  1.03" OLED larger display, SH35 3.0 makes it easier to spot targets quickly and accurately. The scope is mainly used for field and forest hunting.

### Key Feature

- $384 \times 288$  resolution @ $12 \mu\text{m}$  thermal detector
- High sensitivity thermal module NETD < 15 mK (@ $25^\circ\text{C}$ , F# = 1.0)
- 35 mm, F1.0 lens with detection range up to 1800 m
- $2560 \times 2560$  resolution 1.03-inch OLED display
- HIKMICRO Shutterless Image System (HSIS)
- Rechargeable internal batteries and external battery, 9h continuous operation
- High shock resistance up to 1000 g/0.4 ms

# Specification

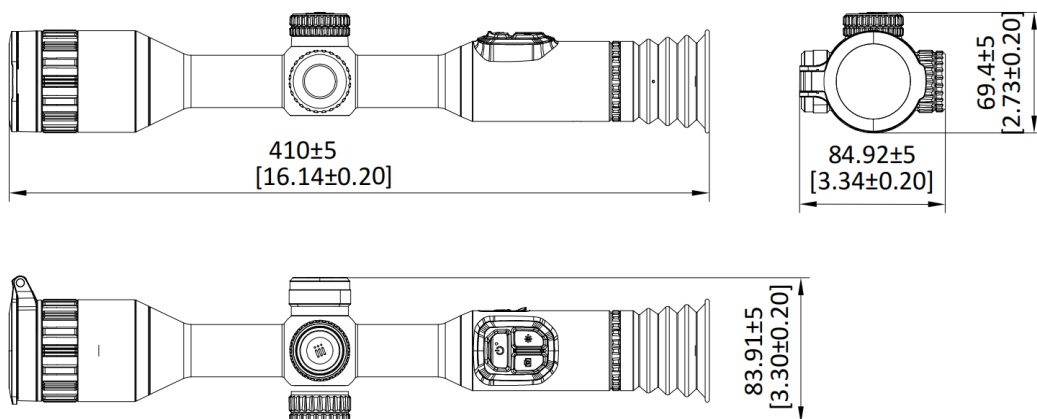
Thermal Module	
Image Sensor	VOx Uncooled Focal Plane Arrays
Max. Resolution	384 × 288
Frame Rate	50 Hz
Pixel Interval	12 μm
Response Waveband	8 μm to 14 μm
NETD	Less than 15 mK (@25°C, F# = 1.0)
Lens (Focal Length)	35 mm, F1.0
Focus Mode	Focus Ring
Detection Range	1800 m
Min. Focusing Distance	3 m
Magnification	4.2× to 24.2× Support 1× step value of continuous zooming
Field of View(H × V), Degrees / m @100 m	7.5° × 5.7°/13.1 m × 10.0 m
Image Display	
Display	2560 × 2560, 1.03-inch OLED
Palettes	Black Hot, White Hot, Red Hot, Fusion, Red Monochrome, Green Monochrome
Exit Pupil	6 mm
Eye Relief	45 mm
Diopter (Range)	-4D to 4D
Brightness Adjustment	Yes
Tone Adjustment	Cold, Warm
Contrast Adjustment	Yes
Zoom Pro	Yes
Image Pro 2.0	Yes
HSIS (HIKMICRO Shutterless Image System)	Yes
System	
Record Video	On-board Video Recording
Capture Snapshot	Yes
Audio Recording	Yes
Recoil-activation Recording	Yes
Standby Mode	Yes
Storage	Built-in EMMC (64 GB)
PIP	Yes
Hotspot	Yes
Hot Track	Yes
Zeroing Profiles	5
Max. Recoil	1000 g/0.4 ms

Freeze Zeroing	Yes
Local Album	Yes
<b>Power Supply</b>	
Battery Type	Two rechargeable Lithium batteries (internal), one replaceable and rechargeable 18650 battery (external)
Battery Operating Time	9 hours continuous running (@25°C, Zoom Pro on)
Type-C Power Supply	DC 5 V/2 A, USB Type-C interface Supports QC3.0 * Only the built-in battery will be charged via the type-C cable. Use the battery charger to charge the external battery.
<b>General</b>	
Protection Level	IP67
Mounting	Standard 30 mm
Dimension	410 mm × 85 mm × 69.4mm
Weight	800 g without external battery
Working Temperature	-30°C to 55°C (-22°F to 131°F)
Center Height	32 mm

## · Available Model

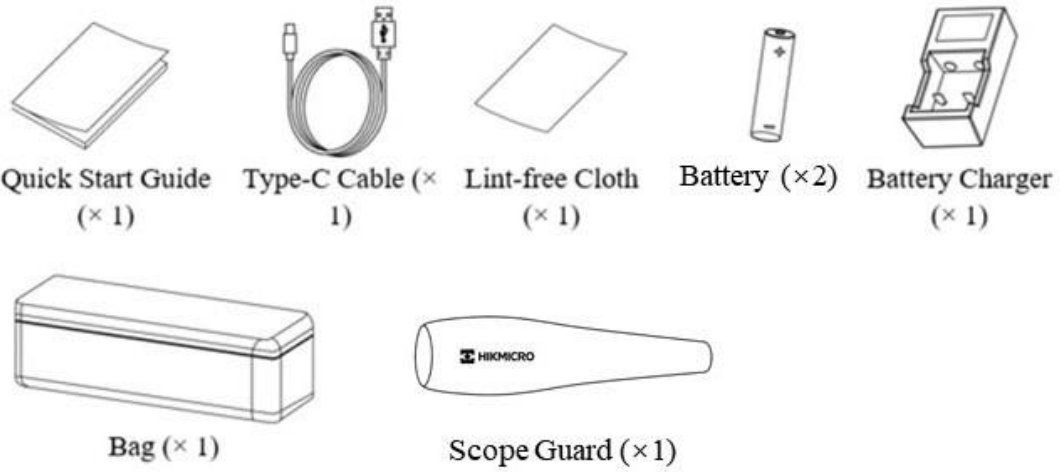
HM-TR83-35S2G/WL-SH35 3.0

## · Dimension



Unit: mm[inch]

## • Accessories



COMPLIANCE NOTICE: The thermal series products might be subject to export controls in various countries or regions, including without limitation, the United States, European Union, United Kingdom and/or other member countries of the Wassenaar Arrangement. Please consult your professional legal or compliance expert or local government authorities for any necessary export license requirements if you intend to transfer, export, re-export the thermal series products between different countries.



HIKMICRO SIGHT



Hikmicro Hunting.Global HIKMICRO Outdoor www.hikmicrotech.com hikmicro hunting.global HIKMICRO info@hikmicrotech.com

Room 313, Unit B, Building 2, 399 Danfeng Road, Xixing Subdistrict, Binjiang District, Hangzhou, Zhejiang  
© Hangzhou Microimage Software Co., Ltd. All rights reserved. | Data subject to change without notice!