

HM-THUNDER-E Eyepiece



The HM-THUNDER-E Eyepiece is used for scope HM-TR13-35XF/CW-TH35C.

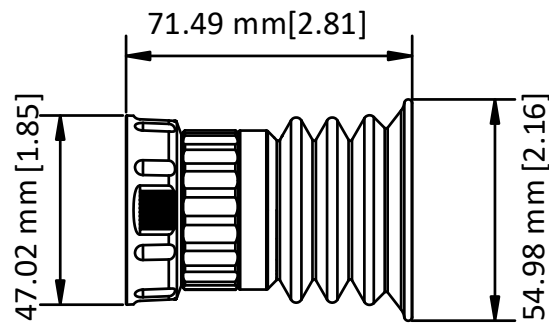
Specification

Parameter	
Dimension	71.49 mm × 47.02 mm × 54.98 mm (2.81" × 1.85" × 2.16")
Weight	90 g (0.20 lb)
Exit Pupil	6 mm
Eye Relief	45 mm
Diopter Range	-5 D to 3 D

Available Model

HM-THUNDER-E

Dimension



COMPLIANCE NOTICE: The thermal series products might be subject to export controls in various countries or regions, including without limitation, the United States, European Union, United Kingdom and/or other member countries of the Wassenaar Arrangement. Please consult your professional legal or compliance expert or local government authorities for any necessary export license requirements if you intend to transfer, export, re-export the thermal series products between different countries.

