

HM-TP31-3AUF-E1L

Handheld Thermography Camera



The Handheld Thermography Camera, specially designed for temperature measurement in transformer substation. It's equipped with a 160×120 resolution thermal detector. It helps the staff to quickly find the fault according to accurate temperature measurement of high temperature targets in the environment. Meanwhile it provides assistant decision and ensure safety. The device is mainly applied to various industries, such as Building, HVAC, and auto industry, etc.,

Key Features

- 160 × 120 resolution
- 320 × 240 resolution 2.4" LCD display
- Built-in rechargeable Li-ion battery
- Up to 8 hours continuous running
- Thermometry D:S = 75:1, a circular target with a diameter of 1 cm can be measured accurately within a distance of 75 cm.

Functions

Thermography

Device detects the real-time temperature, and display it on the screen.

Storage

Device is equipped with replaceable memory card to store recorded captured snapshots, and important data.

Palette

Device supports 4 palettes.

Laser Light Supplement:

Long-distance laser light supplement to point the thermography target.

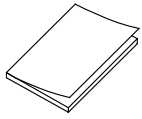
Specification

Parameter		Model	HM-TP31-3AUF-E1L
			Handheld Thermography Camera
Thermal Module	Image sensor		Uncooled Focal Plane Arrays
	Max. Resolution		160 × 120
	Pixel Pitch		17 μm
	Response waveband		8 μm to 14 μm
	NETD		< 40 mK (@ 25 °C, F#=1.0)
	Field of View		37.2° × 50°
	Focal length		3.1 mm
	IFOV (mrad)		5.48 mrad
	Min. Focus Length		≥ 150 mm
	Aperture		F 1.1
Image Display	Monitor		320 × 240 resolution 2.4" LCD display
	Palettes		Black hot, White hot, Rainbow, Ironbow
Thermography	Rules		3 thermometry points: Max. Temperature; Min. Temperature; Center Temperature
	Thermometry Range		-20 °C to 550 °C (-4 °F to 1022 °F)
	Thermometry Accuracy		Max (±2 °C, ±2%)
	Thermometry Distance		D:S = 75:1
Battery	Battery Type		Rechargeable Lithium Battery
	Battery Operating Time		8 hours continuous running
Functions	Laser Light		Support (Point to the thermography target)
	Storage		Replaceable memory card (default 8G, support up to 128G storage)
	Photo		Thermal image
	Video		N.A.
	Language		English/German/French/Russian/Korean/Spanish/Portuguese/Italian/Japanese/Hungarian/Czech/Slovak/Polish/Romanian/Danish/Turkish/Traditional_Chinese/Arabic
General	Power		3.7 V DC/0.4 A
	Power Consumption		Less than 1.2 W
	Hardware Interface		micro USB
	Working Temperature		-10 °C to 50 °C (14 °F to 122 °F)
	Protection level		IP54
	Drop Test Height		2 m (6.56 feet)
	Dimension		196 mm × 117 mm × 59 mm (7.7 " × 4.6 " × 2.3 ")
	Weight		Approx. less than 350 g (0.77 lb)
	Accessory		Power Adaptor, USB cable, 8GB memory card, User manual, Disk, Wrist Strap

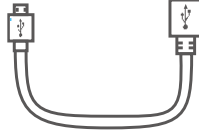
Order Models

HM-TP31-3AUF-E1L

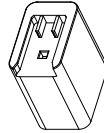
Box Content



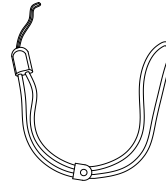
QSG (x1)



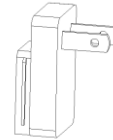
USB Cable (x1)



Power Adapter
(x1)

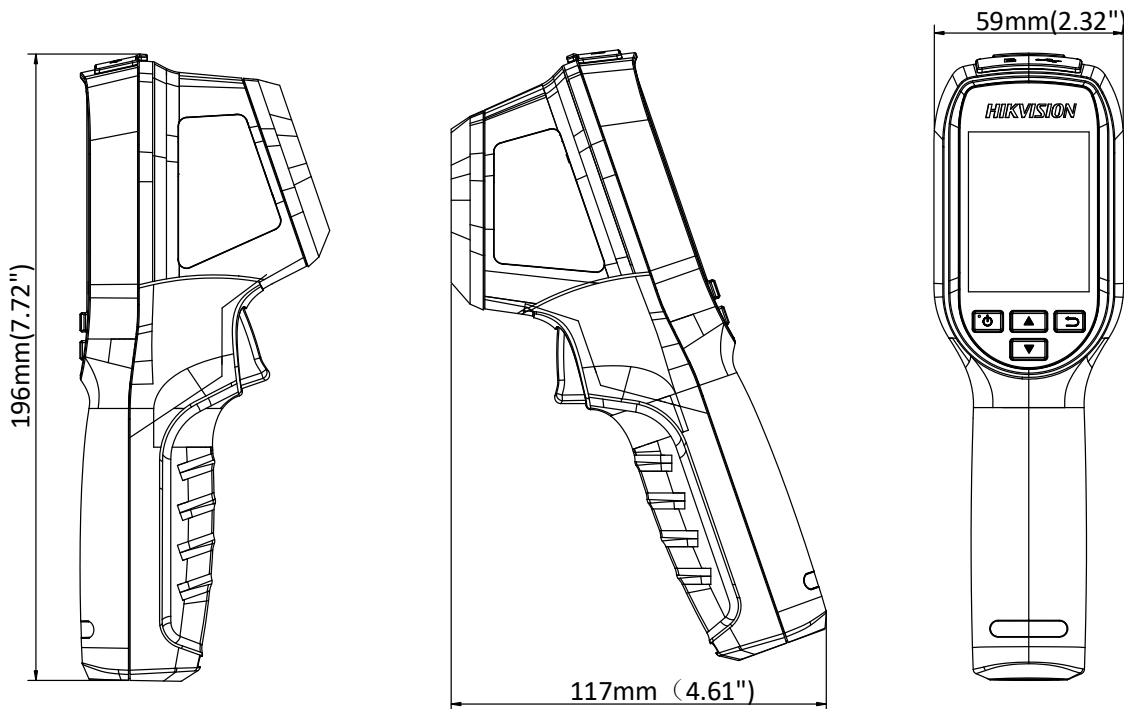


Wrist Strap (x1)



Adapter (x5)

Dimension



COMPLIANCE NOTICE: The thermal series products might be subject to export controls in various countries or regions, including without limitation, the United States, European Union, United Kingdom and/or other member countries of the Wassenaar Arrangement. Please consult your professional legal or compliance expert or local government authorities for any necessary export license requirements if you intend to transfer, export, re-export the thermal series products between different countries.