



# HM-CB-T2

Li-ion battery charger

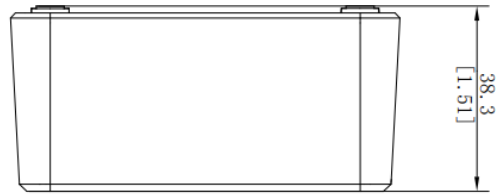
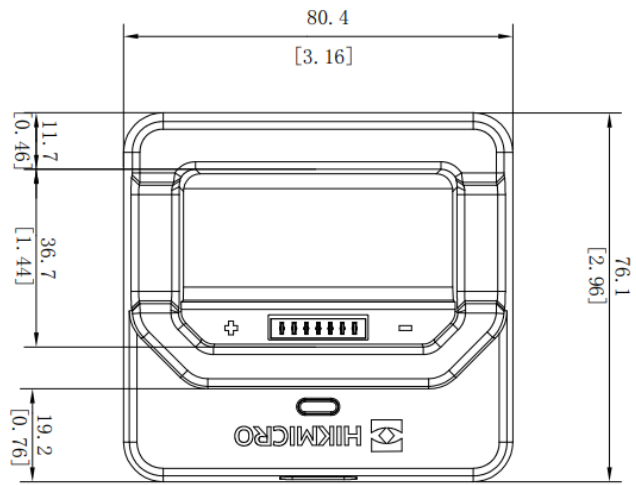
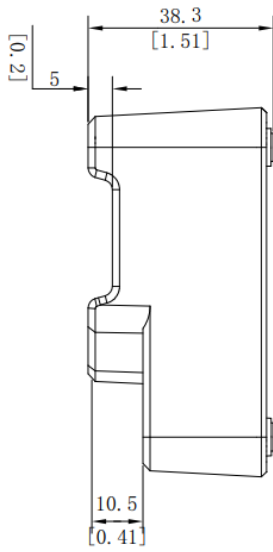
## Specification

GENERAL	
DIMENSION	80.4 mm × 76.1 mm × 38.3 mm
WEIGHT	95 g
POWER INPUT	5 V/2 A
POWER OUTPUT	4.2 V/1.35 A

## Available Model

**HM-CB-T2**

## Dimension



Unit: mm [Inch]



 HIKMICRO Outdoor  hikmicro\_outdoor  HIKMICRO Outdoor  HIKMICRO  info@hikmicrotech.com  <http://hikmicrotech.com/en>

Room 313, Unit B, Building 2, 399 Danfeng Road, Xixing Subdistrict, Binjiang District, Hangzhou, Zhejiang  
@hangzhou microimage software co.,Ltd .2020 | data subject to change without notice!