

HM-THUNDER-40A Adapter



The HM-THUNDER-40A adapter connects the thermal image scope and the daylight scope. It is used for thermal image scope HM-TR13-35XF/W-TH35.

Specification

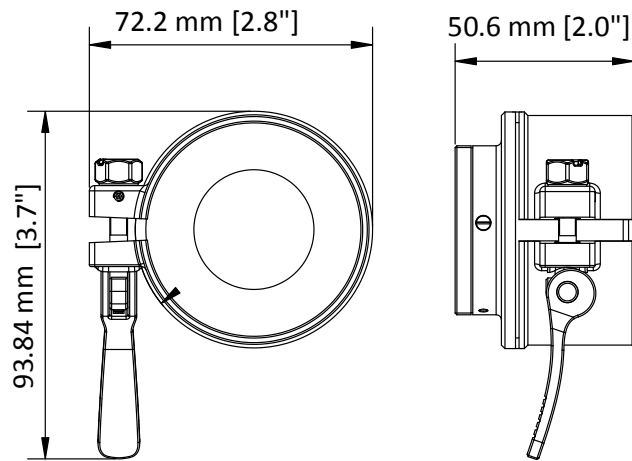
Parameter	
Dimension	93.84 mm × 72.2 mm × 50.6 mm (3.7" × 2.8" × 2.0")
Weight	80 g (0.18 lb)
Mounting Diameter	46.1 mm to 51 mm
Accessory	Wrench, Plate, Ring

Available Model

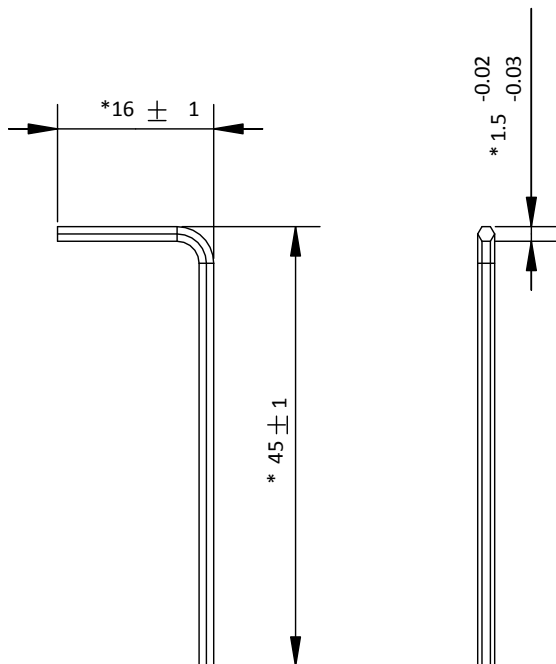
HM-THUNDER-40A

Dimension

Adapter

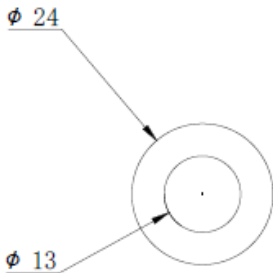


Wrench



Unit: mm

Ring



Unit:mm

Plate

