

# CHEETAH C32F

## Digital Night Vision Monocular



HIKMICRO Cheetah C32F Digital Night Vision Monocular, which can be easily transformed into a scope, performs well under any lighting condition. Its advanced 2560 × 1440 HD sensor and 1920 × 1080 OLED display are capable of capturing every object in great detail and with rich clarity. Featuring a specific optical component, it can detect more IR information in fog.

### Key Features

- 2560 × 1440 high-definition sensor
- 1920 × 1080 resolution 0.49" OLED display
- Supports Day/Night/Auto/Defog mode
- Built-in adjustable IR emitter
- Supports audio recording and recoil-activation recording
- Supports video recording and snapshot, built-in eMMC (64 GB)
- Detection range up to 400 m
- Replaceable and rechargeable battery

## Specification

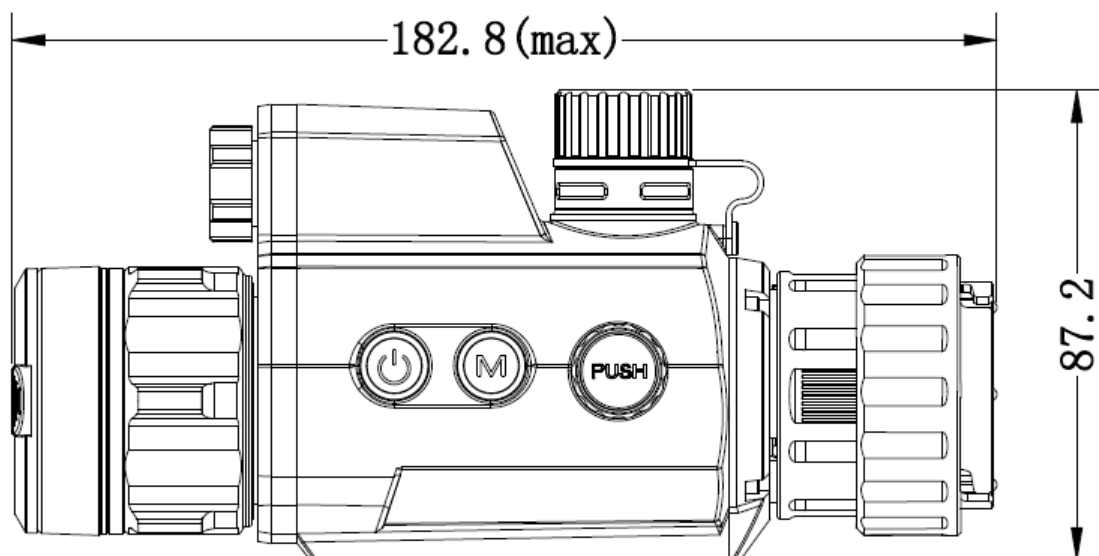
| MAIN                        |  |
|-----------------------------|--|
| MAX. RESOLUTION             | 2560 × 1440  |
| LENS (FOCAL LENGTH)         | 32 mm  |
| FIELD OF VIEW               | 9.9° × 7.5°  |
| MIN. FOCUSING DISTANCE      | 3 m  |
| FRAME RATE                  | 25 Hz  |
| APERTURE                    | F1.2   |
| MAGNIFICATION               | 1×   |
| DETECTION RANGE             | 400 m (with IR 850 nm ON)                                      |
| IMAGE DISPLAY               |  |
| DISPLAY                     | 1920 × 1080 resolution 0.49" OLED                              |
| IMAGE MODE                  | Day, Night, Auto, Defog  |
| EXIT PUPIL                  | 22 mm  |
| EYE RELIEF                  | 10 mm  |
| DIOPTER (RANGE)             | N/A  |
| SYSTEM                      |  |
| DIGITAL ZOOM                | 1×   |
| CAPTURE SNAPSHOT            | Yes  |
| STANDBY MODE                | Yes  |
| RECOIL-ACTIVATION RECORDING | Yes  |
| RETICLE                     | No   |
| RECORD VIDEO RESOLUTION     | Yes  |
| FREEZE ZEROING              | No   |
| STORAGE                     | Built-in eMMC (64 GB)  |
| PIP                         | No   |
| AUDIO RECORDING             | Yes  |
| MAX. RECOIL                 | 750 g  |
| HOTSPOT                     | Yes  |
| POWER SUPPLY                |  |
| BATTERY TYPE                | One Rechargeable Li-ion battery                                |
| BATTERY OPERATING TIME      | 5.5 hours continuous running (@ 25°C, Hotspot, IR Emitter OFF) |
| OVERVOLTAGE PROTECTION      | Yes  |

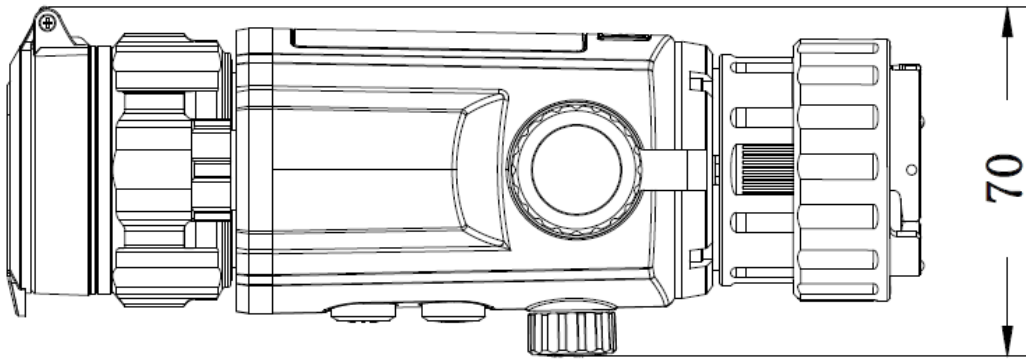
|                          |   |
|--------------------------|---|
| TYPE-C POWER SUPPLY      | 5 VDC/2 A, USB Type-C interface<br>Supports external power supply |
| <b>GENERAL</b>           |   |
| WORKING TEMPERATURE      | -30°C to 55°C (-22°F to 131°F)                                    |
| DIMENSION                | 182.8 mm × 70 mm × 87.2 mm (7.2" × 2.76" × 3.43")                 |
| WEIGHT                   | ≤ 465 g without eyepiece and batteries                            |
| PROTECTION LEVEL         | IP67  |
| <b>LASER RANGEFINDER</b> |   |
| SAFETY CLASS FOR LASER   | N/A   |
| WAVE LENGTH              | N/A   |
| MAX. MEASURING RANGE     | N/A   |
| MEASUREMENT ACCURACY     | N/A   |
| MIN. MEASURING RANGE     | N/A   |

## Available Model

**HM-TR2E-32Q/W-C32F**

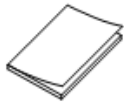
## Dimension





Unit: mm [inch]

## Accessories



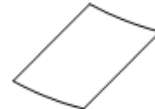
Quick Start Guide (x1)



Battery (x2)



Type-C Cable (x1)



Dust-free Cloth (x1)



Bag (x1)



Battery Charger

## Optional Accessories



Adapter (x1)



Insert Ring (x5)



HIKMICRO SIGHT



HIKMICRO Outdoor hikmicro\_outdoor HIKMICRO Outdoor HIKMICRO info@hikmicrotech.com <http://hikmicrotech.com/en>

room 313, unit B, building 2, 399 danfeng road, xixing subdistrict, binjiang district, hangzhou, zhejiang  
@hangzhou microimage software co., Ltd .2020 | data subject to change without notice!