

LC06S

Thermal Monocular



HIKMICRO LYNX S LC06S thermal monocular is equipped with a 160 × 120 infrared detector and a 800 × 600 OLED display. It supports functions of observation, distance measurement, hotspot, and so on. The high-sensitivity built-in thermal detector provides you with clear view even in total darkness. The monocular is mainly applied to scenarios such as hunting, hiking, searching and rescuing, etc.

Key Feature

- High sensitivity thermal module with 160 × 120 resolution
- NETD < 35 mK (@25°C, F# = 1.0)
- Leading thermal image processing technology: Adaptive AGC, DDE, 3D DNR
- 800 × 600 resolution 0.32-inch OLED display
- Built-in rechargeable lithium battery
- Up to 10 hours continuous operation
- Support hotspot
- Type-C Interface

Specification

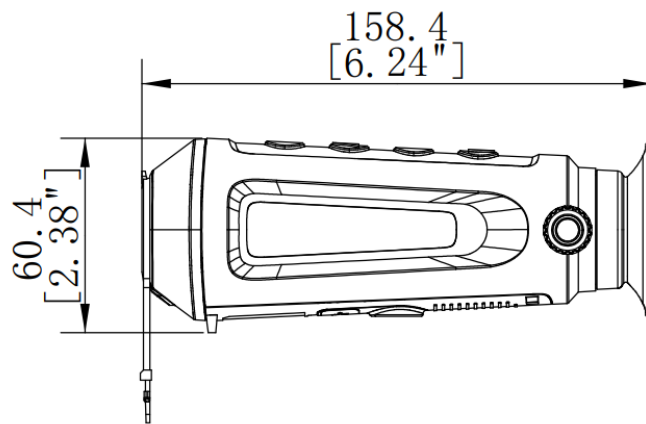
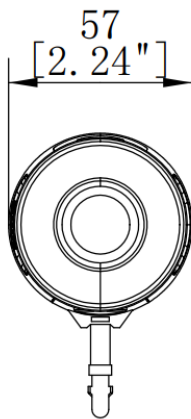
| Thermal Module | |
|---|--|
| Image Sensor | VOx Uncooled Focal Plane Arrays |
| Max. Resolution | 160 × 120 |
| Frame Rate | 50 Hz |
| Pixel Interval | 17 μm |
| Response Waveband | 8 μm to 14 μm |
| NETD | Less than 35 mK (@25°C, F# = 1.1) |
| Lens (Focal Length) | 6.2 mm, F1.1 |
| Detection Range | 250 m |
| Focus Mode | Focus Free |
| Min. Focusing Distance | 1 m |
| Magnification | 1.0× to 4.0× (4×) |
| Field of View(H × V), Degrees / m @100 m | 24.7° × 18.7° / 43.8 m × 32.9 m |
| Image Display | |
| Display | 800 × 600, 0.32-inch, OLED |
| Palettes | Black Hot, White Hot, Red Hot, Fusion |
| FFC (Flat Field Correction) Mode | Auto, Manual, External Correction |
| Exit Pupil | 20 mm |
| Eye Relief | 6 mm |
| Diopter (Range) | -5D to +4D |
| Brightness Adjustment | Yes |
| Tone Adjustment | Cold, Warm |
| Contrast Adjustment | Yes |
| System | |
| Record Video | Yes |
| Capture Snapshot | Yes |
| Audio Recording | Yes |
| Standby Mode | Yes |
| Storage | Built-in memory module (8 GB) |
| PIP | Yes |
| Hotspot | Yes |
| Hot Track | Yes |
| Distance Measurement | Yes |
| Power Supply | |
| Battery Type | Rechargeable Lithium Battery |
| Battery Operating Time | 10 hours continuous running with CVBS and hotspot off (@25°C) 8.5 hours continuous running with CVBS and hotspot on (@25°C) |

| | |
|---------------------|--|
| Type-C Power Supply | DC 5 V/2 A Supports External Power Supply |
| General | |
| Protection Level | IP67 |
| Dimension | 158.4 mm × 60.4 mm × 57 mm (6.24" × 2.38" × 2.24") |
| Working Temperature | -20°C to 55°C (-4°F to 131°F) |
| Weight | 250 g (0.55 lbs) |

• Available Model

HM-TS01-06S1F/W-LC06S

• Dimension



Unit: mm [inch]

▪ Accessories



Quick Start Guide
(x1)



Non-dust Cloth (x1)



USB Cable (x1)



Protective Bag (x1)



Wrist Strap (x1)

COMPLIANCE NOTICE: The thermal series products might be subject to export controls in various countries or regions, including without limitation, the United States, European Union, United Kingdom and/or other member countries of the Wassenaar Arrangement. Please consult your professional legal or compliance expert or local government authorities for any necessary export license requirements if you intend to transfer, export, re-export the thermal series products between different countries.



HIKMICRO SIGHT



Hikmicro Hunting.Global HIKMICRO Outdoor www.hikmicrotech.com hikmicro hunting.global HIKMICRO info@hikmicrotech.com

room 313, unit B, building 2, 399 danfeng road, xixing subdistrict, binjiang district, hangzhou, zhejiang
@hangzhou microimage software co., Ltd .2024 | data subject to change without notice!