

SQ50 2.0

Thermal Scope



HIKMICRO SQ50 2.0 (STELLAR 2.0) Thermal Scope is equipped with a 640 × 512 @12 μm thermal detector, 50 mm focal length and 1920 × 1080 0.49" semi-round OLED display. Plus a thermal sensitivity of less than 20 mK NETD, SQ50 2.0 ensures perfect image quality and detail recognition even in the hardest weather conditions. The traditional-style 30mm tube design meets the needs of professional hunters who value traditions and seek technological superiority. The scope is mainly applied to forest & field hunting, searching and rescuing scenarios.

Key Feature

- 640 × 512 resolution @12μm thermal detector
- High sensitivity thermal module NETD < 20 mK (@25°C, F# = 1.0)
- 50 mm, F1.0 lens with detection range up to 2600 m
- 1920 × 1080 resolution 0.49-inch OLED display
- 11h+ continuous operation
- Rechargeable internal batteries and external battery
- High shock resistance up to 1000 g/0.4 ms

Specification

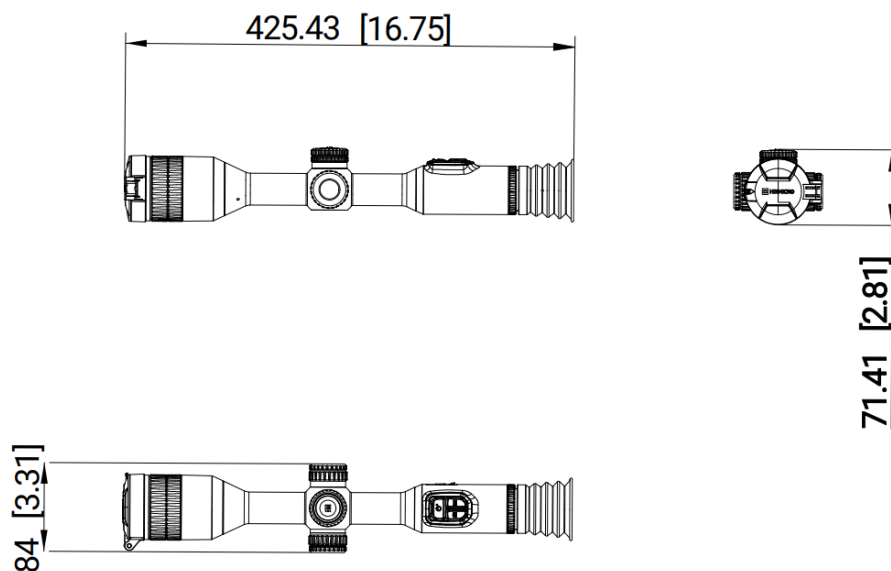
Thermal Module	
Image Sensor	VOx Uncooled Focal Plane Arrays
Max. Resolution	640 × 512
Frame Rate	50 Hz
Pixel Interval	12 μm
Response Waveband	8 μm to 14 μm
NETD	Less than 20 mK (@25°C), F# = 1.0
Lens (Focal Length)	50 mm, F1.0
Focus Mode	Focus Ring
Detection Range	2600 m
Min. Focusing Distance	5 m
Magnification	3.3x to 26.4x (8x) Supports continuous zooming
Field of View (H × V), Degrees / m @100 m	8.8° × 5.3°/15.4 m × 9.2 m
Image Display	
Display	1920 × 1080, 0.49-inch OLED
Palettes	Black Hot, White Hot, Red Hot, Fusion
FFC (Flat Field Correction) Mode	Auto, Manual, External Correction
Exit Pupil	6 mm
Eye Relief	55 mm
Diopter (Range)	-5D to 5D
Brightness Adjustment	Yes
Tone Adjustment	Cold, Warm
Contrast Adjustment	Yes
Image Pro	Yes
System	
Record Video	On-board Video Recording
Capture Snapshot	Yes
Audio Recording	Yes
Recoil-activation Recording	Yes
Standby Mode	Yes
Storage	Built-in EMMC (64 GB)
PIP	Yes
Hotspot	Yes
Hot Track	Yes
Distance Measurement	Yes
Zeroing Profiles	5
Freeze Zeroing	Yes

Max. Recoil	1000 g/0.4 ms
Power Supply	
Battery Type	Two rechargeable Lithium batteries (internal), one replaceable and rechargeable 18650 battery (external)
Battery Operating Time	11 hours continuous running (@25°C, Wi-Fi off)
Type-C Power Supply	DC 5 V/2 A, USB Type-C interface Supports QC3.0
General	
Protection Level	IP67
Mounting	Standard 30 mm
Dimension	425.4 mm × 84 mm × 71.4 mm
Working Temperature	-30°C to 55°C (-22°F to 131°F)
Weight	950 g without external battery

• Available Model

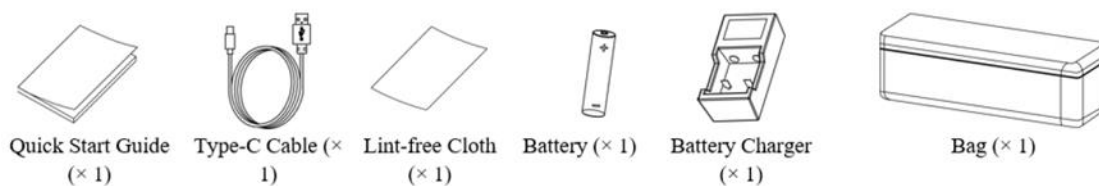
HM-TR36-50S2G/W-SQ50 2.0

• Dimension



Unit: mm [inch]

• Accessories



COMPLIANCE NOTICE: The thermal series products might be subject to export controls in various countries or regions, including without limitation, the United States, European Union, United Kingdom and/or other member countries of the Wassenaar Arrangement. Please consult your professional legal or compliance expert or local government authorities for any necessary export license requirements if you intend to transfer, export, re-export the thermal series products between different countries.



Hikmicro Hunting.Global HIKMICRO Outdoor www.hikmicrotech.com hikmicro hunting.global HIKMICRO info@hikmicrotech.com

room 313, unit B, building 2, 399 danfeng road, xixing subdistrict, binjiang district, hangzhou, zhejiang
@hangzhou microimage software co., Ltd .2024 | data subject to change without notice!