

# NE25

## Thermal Scope



HIKMICRO NEOS NE25 Thermal Image Scope is equipped with a 256×192 resolution and NETD < 18mK thermal detector. The advanced Image Pro 3.0 algorithm, shutterless system (HSIS) and Sync Pro algorithm ensures users catch seamless and detailed image with lower latency. With a 0.49" AMOLED larger display, NE25 offers immersive viewing experience.

### Key Feature

- High sensitivity thermal module NETD < 18 mK (@25°C, F# = 1.0)
- HIKMICRO Shutterless Image System (HSIS) & Zoom Pro
- 0.49" AMOLED Large Display
- 540 g lightweight, with a compact and ergonomic design
- 1-second quick start-up
- 9.5-hour operation time
- Quick zeroing on Sight app

# Specification

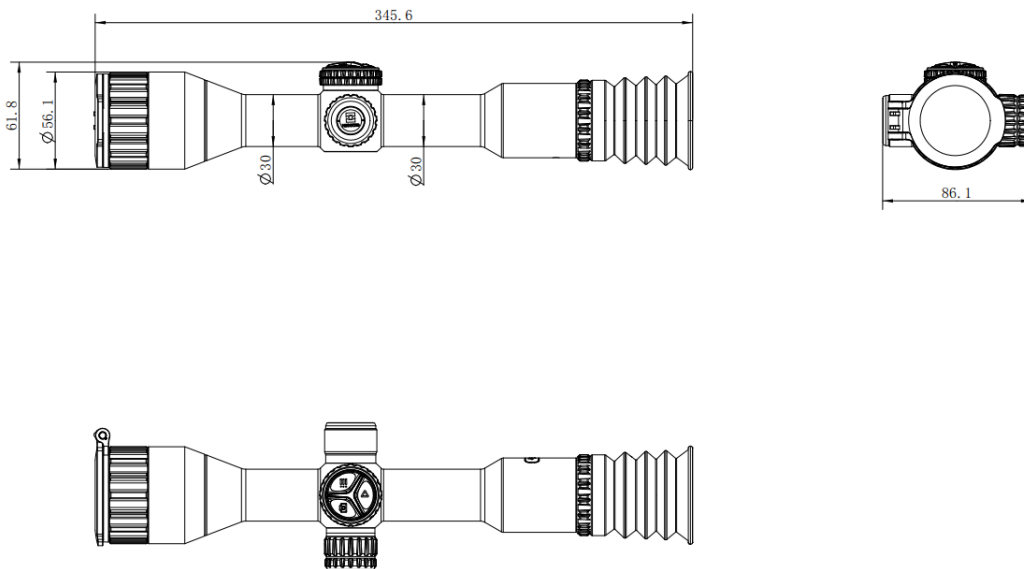
Thermal Module	
Image Sensor	VOx Uncooled Focal Plane Arrays
Max. Resolution	256 × 192
Frame Rate	50 Hz
Pixel Interval	12 μm
Response Waveband	8 μm to 14 μm
NETD	Less than 18 mK (@25°C, F# = 1.0)
Lens (Focal Length)	25 mm, F1.0
Focus Mode	Focus Ring
Detection Range	1200 m
Min. Focusing Distance	3 m
Magnification	3.5× - 24.5×
Field of View(H × V), Degrees / m @100m	7.0° × 5.3°/ 12.2 m × 9.3 m
Image Display	
Display	0.49-inch AMOLED
Palettes	Black Hot, White Hot, Red Hot, Fusion, Red Monochrome, Green Monochrome
Exit Pupil	8 mm
Eye Relief	55 mm
Diopter (Range)	-4D to 4D
Brightness Adjustment	Yes
Tone Adjustment	Cold, Warm
Contrast Adjustment	Yes
Zoom Pro	Yes
HSIS (HIKMICRO Shutterless Image System)	Yes
Image Pro 3.0	Yes
Sync Pro	Yes
System	
Record Video	On-board Video Recording
Capture Snapshot	Yes
Audio Recording	Yes
Recoil-activation Recording	Yes
Standby Mode	Yes
Storage	Built-in EMMC (64 GB)
PIP	Yes
Hotspot	Yes
Hot Track	Yes
Zeroing Profiles	5
Freeze Zeroing	Yes

Max. Recoil	1000g/0.4ms
Local Album	Yes
<b>Power Supply</b>	
Battery Type	One Rechargeable Lithium Battery (Internal), One Replaceable and Rechargeable 18650 Battery (External)
Battery Operating Time	9.5 hours continuous running (@25°C, Zoom Pro on)
Type-C Power Supply	5 V DC/2 A, USB Type-C interface Supports QC3.0 * Only the built-in battery will be charged via the type-C cable. Use the battery charger to charge the external battery.
<b>General</b>	
Mounting	Standard 30 mm
Protection Level	IP67
Dimension	345.6 mm × 86.1 mm × 56.1 mm
Working Temperature	-30 °C to 55 °C (-22 °F to 131°F)
Weight	540 g
Center Height	32 mm

## ▪ Available Model

HM-TR32-25Y1G/W1-NE25

## ▪ Dimension



Unit: mm

## ▪ Accessories



Quick Start Guide  
(× 1)



Type-C Cable (×  
1)



Lint-free Cloth  
(× 1)



Battery (× 1)



Battery Charger  
(× 1)

COMPLIANCE NOTICE: The thermal series products might be subject to export controls in various countries or regions, including without limitation, the United States, European Union, United Kingdom and/or other member countries of the Wassenaar Arrangement. Please consult your professional legal or compliance expert or local government authorities for any necessary export license requirements if you intend to transfer, export, re-export the thermal series products between different countries.



Hikmicro Hunting.Global HIKMICRO Outdoor [www.hikmicrotech.com](http://www.hikmicrotech.com) hikmicro hunting.global HIKMICRO [info@hikmicrotech.com](mailto:info@hikmicrotech.com)

Room 313, Unit B, Building 2, 399 Danfeng Road, Xixing Subdistrict, Binjiang District, Hangzhou, Zhejiang  
© Hangzhou Microimage Software Co., Ltd. All rights reserved. | Data subject to change without notice!