

## HM-THUNDER-R Rail



The HM-THUNDER-R Rail is used for thermal image scope HM-TR13-35XF/CW-TH35C (used with HM-THUNDER-E), HM-TR13-25XF/W-TH25 and HM-TR13-35XF/W-TH35.

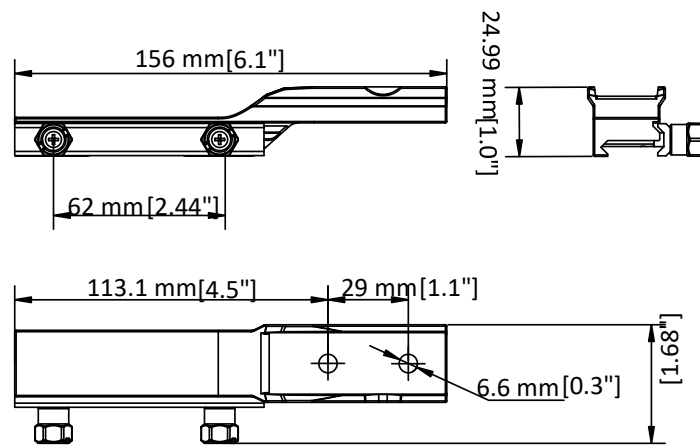
## Specification

Parameter	
Dimension	156 mm × 42.78 mm × 25 mm (6.14" × 1.7" × 1.0")
Weight	120 g (0.26 lb)
Mounting	Picatinny Interface
Accessory	Wrench, Screw, Ring

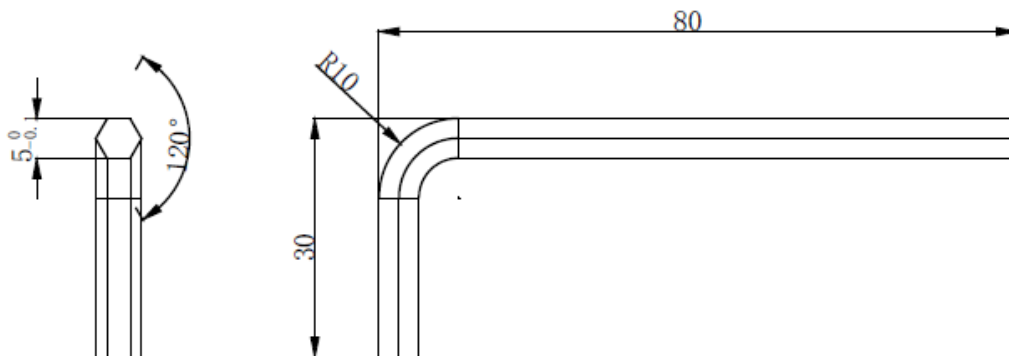
## Available Model

HM-THUNDER-R

## Dimension

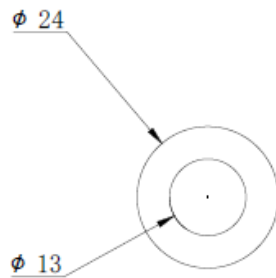


## Wrench



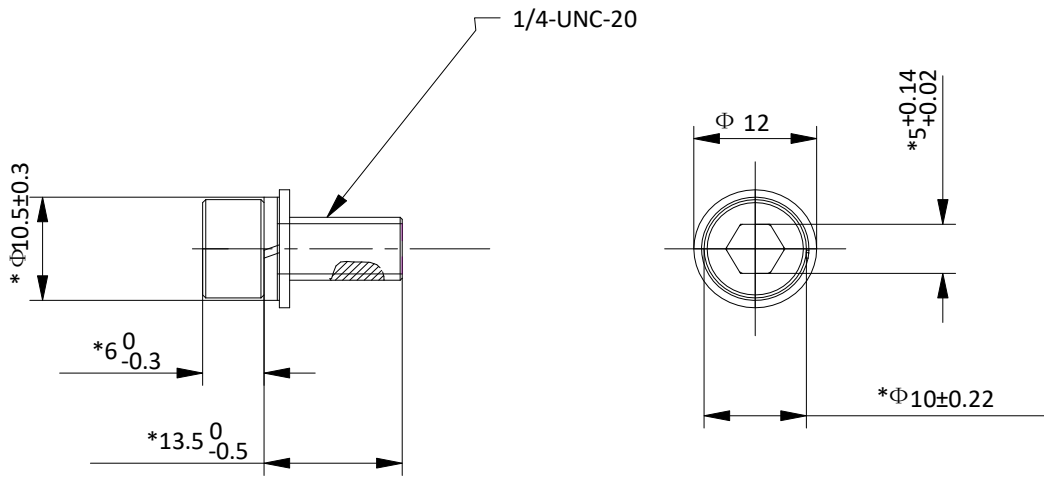
Unit:mm

### Ring



Unit:mm

### Screw



Unit: mm

COMPLIANCE NOTICE: The thermal series products might be subject to export controls in various countries or regions, including without limitation, the United States, European Union, United Kingdom and/or other member countries of the Wassenaar Arrangement. Please consult your professional legal or compliance expert or local government authorities for any necessary export license requirements if you intend to transfer, export, re-export the thermal series products between different countries.

