

HM-TB3317-3/M1-Mini Smartphone Module



The smartphone module helps you to inspect electrical equipment, troubleshooting HVAC problems, look for subjects in darkness. Within 5°C to 100°C temperature measurement range, it covers most natural scenarios. Equipped with functional thermal App for smartphone, the Smartphone Module enables you to see a different world just by one plug.

▪ Key Feature

- Thermal resolution: 160 × 120 (19,200 pixels)
- NETD: < 40 mK (@25°C, F# = 1.0)
- Accuracy: ± 0.5°C (0.9°F), for object temperature 30°C to 45°C (86°F to 113°F); ±2°C (3.6°F), for object temperature 5°C to 30°C (41°F to 86°F) and 45°C to 100°C (113°F to 212°F). Applicable 60 sec after start-up when the ambient temperature 15°C to 35°C (59°F to 95°F)
- USB Type-C Interface (Android)
- 26 g Weight

Specification

Thermal Module	
Image Sensor	Vanadium Oxide Uncooled Focal Plane Arrays
IR Resolution	160 × 120 (19,200 pixels)
Pixel Pitch	17 μm
Spectrum Range	8 to 14 μm
NETD	< 40 mK (@25°C, F# = 1.0)
Focal Length	3.2 mm
FOV (Field of View)	50° × 38° (H × V)
Minimum Focus Distance	20 cm
Focus	Fixed
Image Frequency	25 Hz
Aperture	F1.1
Thermography Function	
Accuracy	± 0.5°C (0.9°F), for object temperature 30°C to 45°C (86°F to 113°F); ± 2°C (3.6°F), for object temperature 5°C to 30°C (41°F to 86°F) and 45°C to 100°C (113°F to 212°F). Applicable 60 sec after start-up when the ambient temperature 15°C to 35°C (59°F to 95°F)
Object Temperature Range	5°C to 100°C (41°F to 212°F)
Shutter	Automatic/Manual
General	
Power	Powered by Smartphone
Phone	Android (USB Type-C Interface)
Working Temperature Range	15°C to 35°C (59°F to 95°F)
Storage Temperature Range	-20°C to 60°C (-4°F to 140°F)
Protection Level	IP40
Mechanical Shock	Drop from 1 m (3.28 ft)
Weight	26 g (0.057 lb)
Dimension	54.1 mm × 15 mm × 27.5 mm (2.13" × 0.59" × 1.08")
Power Consumption	300mW
APP	
Measurement Presets	Hot Spot, Cold Spot, Center Spot, 1 Point Preset, 1 Area Preset, Off
Color Palettes	Black Hot, White Hot, Red Hot, Rainbow, Ironbow, Fusion, Rain
Video Format	MP4
Image Format	JPEG

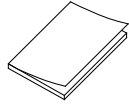
▪ Available Model

HM-TB3317-3/M1-Mini

Packing List

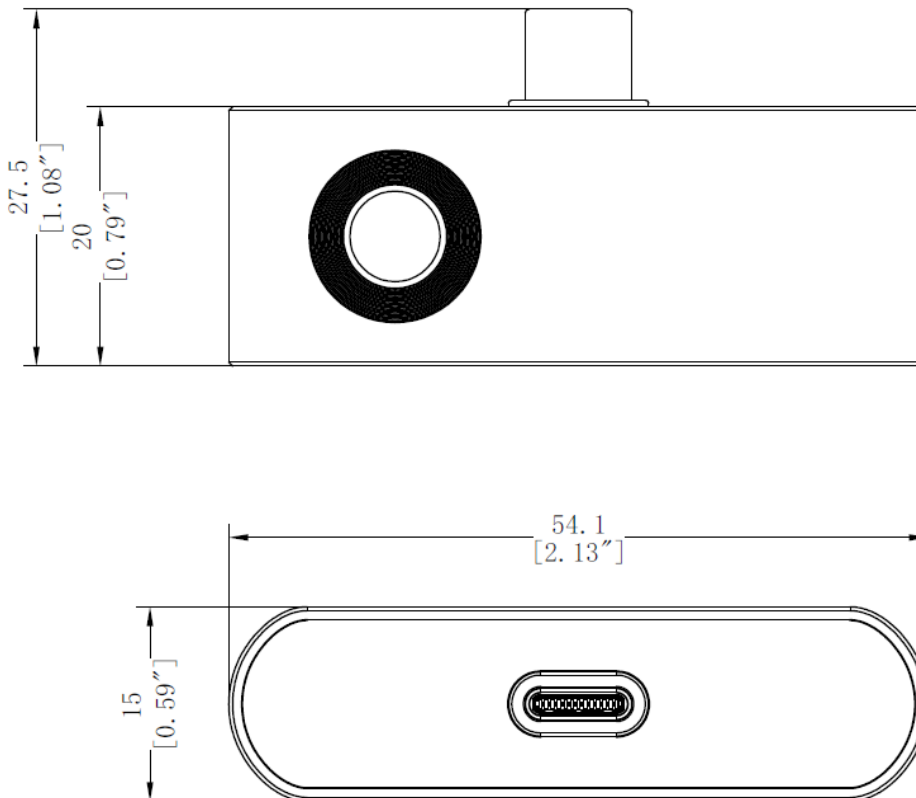


Storage Bag (× 1)



Quick Start Guide (× 1)

▪ Dimension



Unit:mm[Inch]

COMPLIANCE NOTICE: The thermal series products might be subject to export controls in various countries or regions, including without limitation, the United States, European Union, United Kingdom and/or other member countries of the Wassenaar Arrangement. Please consult your professional legal or compliance expert or local government authorities for any necessary export license requirements if you intend to transfer, export, re-export the thermal series products between different countries.

