



E20Plus

Thermal Camera for Smartphones

Thermal Camera for Smartphones E20Plus is designed for consumer of applications of outdoor activities, like birdwatching, hiking, camping, sports and concerts. Equipped with functional HIKMICRO Sight App, E20Plus enables you to get the thermal imaging on your phone with USB type-C connector.

Key Features

- VOx uncooled focal plane arrays sensor with 256 × 192 resolution
- NETD: ≤ 50 mK (@ 25°C, F# = 1.0)
- Portable size: 26 g Weight
- USB Type-C Interface (Android)
- Support 3D DNR, image enhancement
- Support video recording and snapshot

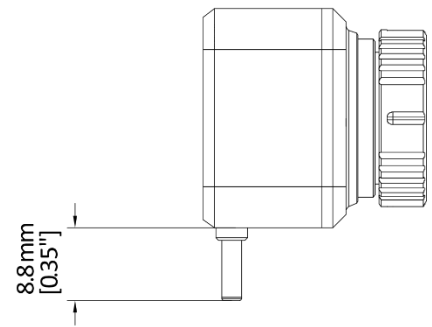
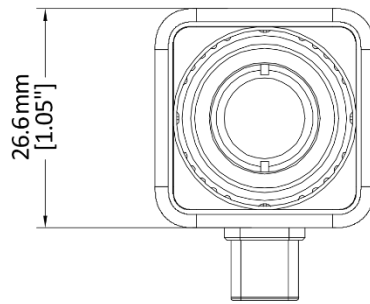
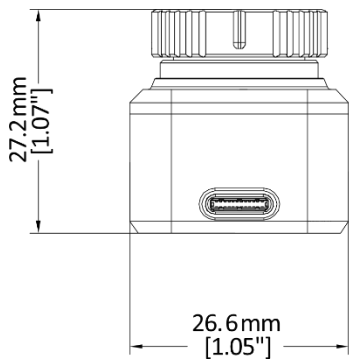
Specification

THERMAL MODULE	
IMAGE SENSOR	V0x Uncooled Focal Plane Arrays
MAX. RESOLUTION	256 × 192
FRAME RATE	50 Hz
PIXEL INTERVAL	12 μm
RESPONSE WAVEBAND	8 μm to 14 μm
NETD	≤ 50 mK (@ 25°C, F# = 1.0)
LENS (FOCAL LENGTH)	9.7 mm
DETECTION RANGE	970 m
APERTURE	F1.0
MAGNIFICATION	1× to 2x (Digital zoom 2x)
FIELD OF VIEW (H × V), DEGREES/M @ 100M	18.1° × 13.6° / 31.8 m × 23.8 m
IMAGE DISPLAY	
IMAGE MODE	Birdwatching/Red Hot/White Hot/Black Hot/Rainbow/Ironbow
CONTRAST ADJUSTMENT	Adjustable contrast from 0 to 100 by slider control
BRIGHTNESS ADJUSTMENT	Adjustable contrast from 0 to 100 by slider control
SYSTEM	
RECORD VIDEO	Yes
CAPTURE SNAPSHOT	Yes
PIP	Yes
DIGITAL MAGNETIC COMPASS	Yes
HOT TRACK	Yes
SYSTEM	
POWER SUPPLY	USB Type-C interface
POWER CONSUMPTION	360 mW
WORKING TEMPERATURE	-10°C to 50°C
DIMENSION	26.6 mm × 26.6 mm × 27.2 mm
WEIGHT	26 g
PROTECTION LEVEL	IP40

Available Model

HM-TM42-10RG/T-E20Plus

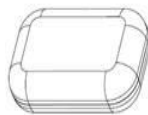
Dimension



Accessories



Type-C Cable (×1)



Bag (×1)



QSG (×1)

COMPLIANCE NOTICE: The thermal series products might be subject to export controls in various countries or regions, including without limitation, the United States, European Union, United Kingdom and/or other member countries of the Wassenaar Arrangement. Please consult your professional legal or compliance expert or local government authorities for any necessary export license requirements if you intend to transfer, export, re-export the thermal series products between different countries.



 HIKMICRO Outdoor  hikmicro_outdoor  HIKMICRO Outdoor  HIKMICRO  info@hikmicrotech.com  <http://hikmicrotech.com/en>

Room 313, Unit B, Building 2, 399 Danfeng Road, Xixing Subdistrict, Binjiang District, Hangzhou, Zhejiang
@hangzhou microimage software co.,Ltd .2020 | data subject to change without notice!