



# HM-7250DC

## Battery

High capacity battery for HIKMICRO SP series thermal camera.

### Specification

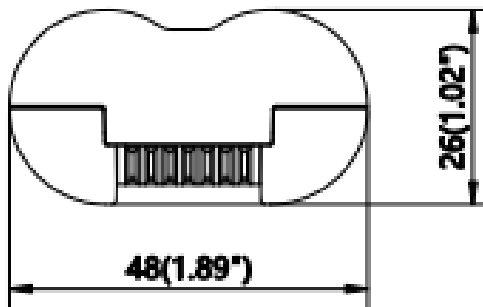
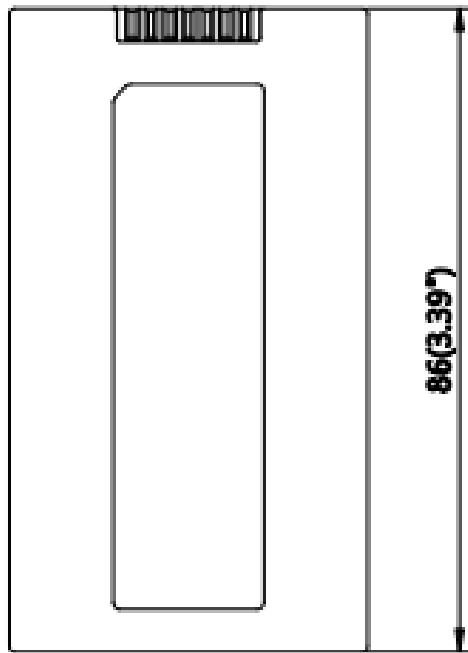
GENERAL	
DIMENSIONS	48 mm × 26 mm × 86 mm (1.89" × 1.02" × 3.39")
WEIGHT	177 g (0.39 lb)
BATTERY TYPE	Lithium Battery
BATTERY VOLTAGE	7.2 V
BATTERY CAPACITY	4800 mAh

Please note that product specifications are subject to change without notice. Please check <https://www.hikmicrotech.com> for the latest changes.

## Ordering Model

HM-7250DC

## Dimension



Unit: mm (Inch)

