

FB21 Firefighting Thermal Camera



The HIKMICRO FB21 is a compact, reliable, firefighting thermal camera designed for firefighters to observe in total darkness and smoke, helping to save lives, protect property, and keep firefighters safe.

Features like dual cameras, LED flashlights, easy-to-navigate buttons, and a temperature range of up to 550°C (1022°F) help you work effortlessly in harsh environments. 8 color palettes for you to choose from, which satisfy most application scenarios.

Key Feature

- Thermal resolution: 256 x 192 (49 152 pixels)
- NETD : < 40 mK (@ 25 °C, F#=1.0)
- Temperature measurement range : -20°C to 550°C (-4°F to 1022°F)
- Up to 10 minutes for ambient temperature -10°C to 90°C (14°F to 194°F) ; Up to 2 minutes for ambient temperature -10°C to 115°C (14°F to 239°F)
- Measurement presets: Center spot, Hot spot, Cold spot, User Preset Point
- 25 Hz image frequency
- 3.2" LCD screen display
- Up to 6 hours continuous running
- Support object details enhancement

▪ Specification

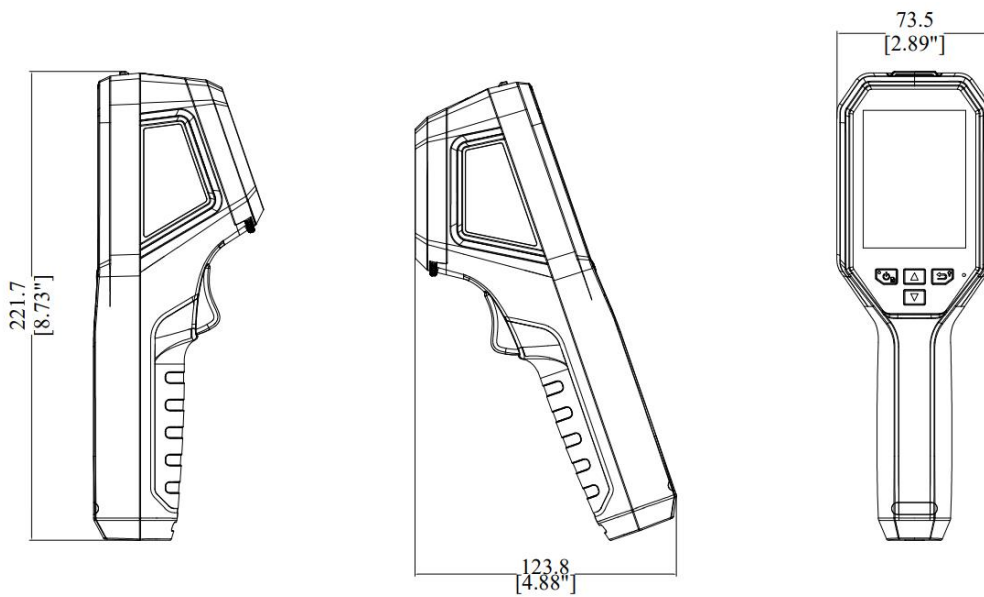
Infrared Image	
IR Resolution	256 × 192 (49,152 pixels)
NETD	< 40 mK (@ 25 °C, F#=1.0)
Image Frequency	25 Hz
Detector Pitch	12 μm
Spectral Range	7.5 to 14 μm
Focal Length	3.6 mm
F-number	F1.0
Field of View (FOV)	37.2° × 50.0°
Spatial Resolution (IFOV)	3.3 mrad
Min. Focus Distance	0.3 m (0.98 ft)
Focus Mode	Focus Free
Image Display	
Visual Camera	1600 × 1200 (2 MP)
Display	240 × 320 Resolution, 3.2" LCD Screen
Color Alarm	Above alarm
Color Palettes	Basic, Black Hot, White Hot, Fire Detection, Rescue, Hot Area, Cold Area, Building
Image Modes	Thermal/Visual/Fusion/PIP
Measurement and Analysis	
Object Temperature Range	-20°C to 550°C (-4°F to 1022°F)
Accuracy	Max. (± 2°C/3.6°F, ± 2%), for ambient temperature 15°C to 35°C (59°F to 95°F) and object temperature above 0°C (32°F)
Measurement Tools	Center Spot, Hot Spot, Cold Spot User-definable: 3 spots
Data Storage and Communication	
Storage Media	Built-in 16 GB flash memory
Image Storage Capacity	Approx. 90,000 Images
General	
USB Interface	USB Type-C
LED Light	Yes
Battery Type	Rechargeable Li-ion battery
Battery Charging Time	Approx. 3 hours fully charged
Battery Operating Time	Approx. 6 hours
Protection Level	IP65
Drop Test Height	2 m (6.56 ft)

Working Temperature Range	Up to 10 minutes for ambient temperature -10°C to 90°C (14°F to 194°F); up to 2 minutes for ambient temperature -10°C to 115°C (14°F to 239°F)
Storage Temperature Range	-20°C to 60°C (-4°F to 140°F)
Relative Humidity	< 95% non-condensing
Weight	Approx. 380 g (0.84 lb)
Dimension	221.7 × 73.5 × 123.8 mm (8.73 × 2.89 × 4.87 in)
Tripod Mounting	UNC ¼"-20

▪ Available Model

FB21

▪ Dimension






Unit: mm [inch]

COMPLIANCE NOTICE: The thermal series products might be subject to export controls in various countries or regions, including without limitation, the United States, European Union, United Kingdom and/or other member countries of the Wassenaar Arrangement. Please consult your professional legal or compliance expert or local government authorities for any necessary export license requirements if you intend to transfer, export, re-export the thermal series products between different countries.





 HIKMICRO Thermography  hikmicro_thermography  HIKMICRO Thermography  HIKMICRO  info@hikmicrotech.com  <http://hikmicrotech.com/en>

© 2023 Hangzhou HIKMICRO Sensing Technology Co., Ltd. All Rights Reserved.

Data subject to change without notice!