



## PANTHER PH35L

### Thermal Image Scope



HIKMICRO PANTHER PH35L Thermal Image Scope has  $384 \times 288$  thermal detector and  $1024 \times 768$  OLED monitor, which provides clear image under harsh environment conditions like darkness, fog, smoke, dust, rain, snow, wood, camouflage, etc. The scope is mainly applied to scenarios such as patrolling, hunting, etc.

#### Key Features

- $384 \times 288$  thermal resolution, high sensitivity detector, NETD < 35 mK (25°C, F# = 1.0)
- Image processing technology: Adaptive AGC, DDE, 3D DNR
- $1024 \times 768$  resolution 0.39-inch OLED display
- Supports distance measurement and hotspot function
- Supports video recording and snapshot, built-in EMMC (16 GB)
- Supports digital zoom and reticle function, palettes of color adjustable
- Observation Distance up to 1800 m

## Specification

### Thermal Module

|                        |                            |
|------------------------|----------------------------|
| Image Sensor           | Uncooled Focal Plane Array |
| Max. Resolution        | 384 × 288                  |
| Frame Rate             | 50 Hz                      |
| Pixel Interval         | 12 μm                      |
| Response Waveband      | 8 μm to 14 μm              |
| NETD                   | < 35 mK (25°C, F# = 1.0)   |
| Lens (Focal Length)    | 35 mm                      |
| Detection Range        | 1800 m                     |
| Field of View          | 7.53° × 5.65°              |
| Min. Focusing Distance | 2 m                        |
| Aperture               | F1.0                       |
| Magnification          | 3.03×                      |

### Image Display

|                                  |                                       |
|----------------------------------|---------------------------------------|
| Display                          | 1024 × 768, 0.39 inch, OLED           |
| Image Mode                       | Black Hot, White Hot, Red Hot, Fusion |
| FFC (Flat Field Correction) Mode | Auto, Manual, External Correction     |
| Exit Pupil                       | 6 mm                                  |
| Eye Relief                       | 45 mm                                 |
| Diopter (Range)                  | -5 D to 3 D                           |

### System

|                       |                                   |
|-----------------------|-----------------------------------|
| Digital Zoom          | 1×, 2×, 4×, 8×                    |
| Capture Snapshot      | Yes                               |
| Record Video          | On-board video recording          |
| Standby Mode          | Yes                               |
| Storage               | Built-in EMMC (16 GB)             |
| PIP                   | Yes                               |
| DPC                   | Yes                               |
| Hotspot               | Yes                               |
| Uniformity Correction | Auto, Manual, External Correction |
| Hot Track             | Yes                               |
| Reticle               | Yes                               |

### Power Supply

|                                 |   |
|---------------------------------|---|
| Battery Type                    | One Rechargeable Lithium battery                                    |
| Battery Operating Time          | 6 hours continuous running (@25°C, Wi-Fi and CVBS off)              |
| Battery Capacity Display        | Yes   |
| Anti-reverse Battery Connection | Yes   |
| Overvoltage Protection          | Yes   |
| Type-C Power Supply             | 5 V DC/2 A, USB Type-C interface3<br>Supports external power supply |

### General

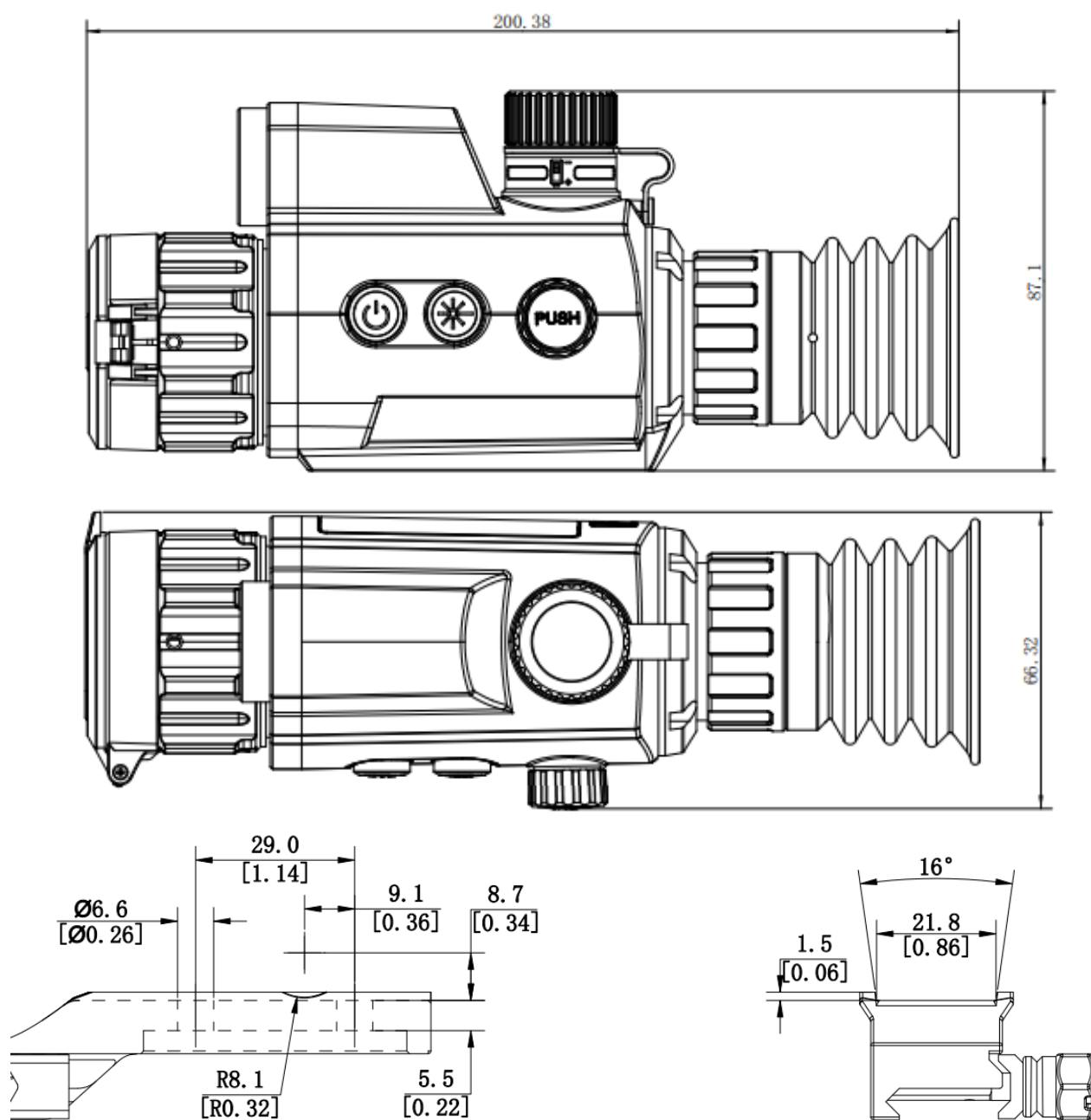
|                           |   |
|---------------------------|---|
| Work Temperature/Humidity | -30°C to 55°C (-22°F to 131°F)                      |
| Protection Level          | IP67  |
| Dimension                 | 200.38 × 66.32 × 87.10 mm (7.89 × 2.61 × 3.43 inch) |

|                          |  |
|--------------------------|--|
| Weight                   | < 518 g without eyepiece and batteries |
| Port                     | Type-C                                 |
| <b>Laser Rangefinder</b> |  |
| Safety Class for Laser   | Class 1                                |
| Wavelength               | 905 nm                                 |
| Max. Measuring Range     | 600 m                                  |
| Measurement Accuracy     | ± 1 m                                  |
| Min. Measuring Range     | 10 m                                   |

### Available Model

HM-TR23-35XG/W-PH35L

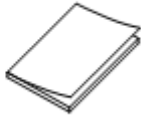
## Dimension



Unit: mm [Inch]

Unit: mm

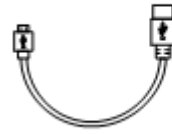
## Accessory



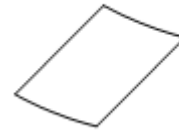
Quick Start Guide (x1)



Battery (x2)



Type-C Cable (x1)



Dust-free Cloth (x1)

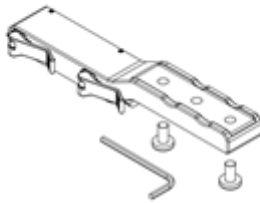


Bag (x1)



Battery Charger

## Optional



Rail System  
Rail(x1)  
Screws(x2)  
Wrench(x1)

COMPLIANCE NOTICE: The thermal series products might be subject to export controls in various countries or regions, including without limitation, the United States, European Union, United Kingdom and/or other member countries of the Wassenaar Arrangement. Please consult your professional legal or compliance expert or local government authorities for any necessary export license requirements if you intend to transfer, export, re-export the thermal series products between different countries.

