

# THUNDER TH35PC

## Thermal Monocular



### Key Features

- 384 × 288 thermal resolution, high sensitivity detector, NETD < 35 mK (25°C, F# = 1.0)
- Image processing technology: Adaptive AGC, DDE, 3D DNR
- 1024 × 768 resolution 0.39-inch OLED display
- Supports distance measurement, and hotspot function
- Supports video recording and snapshot, built-in EMMC (16 GB)
- Up to 4 hours continuous working

### Specification

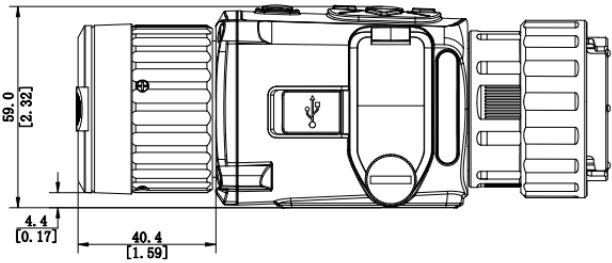
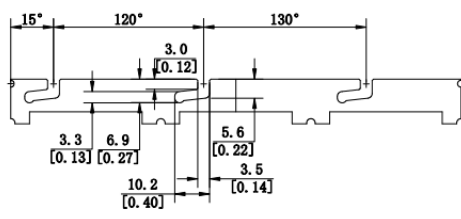
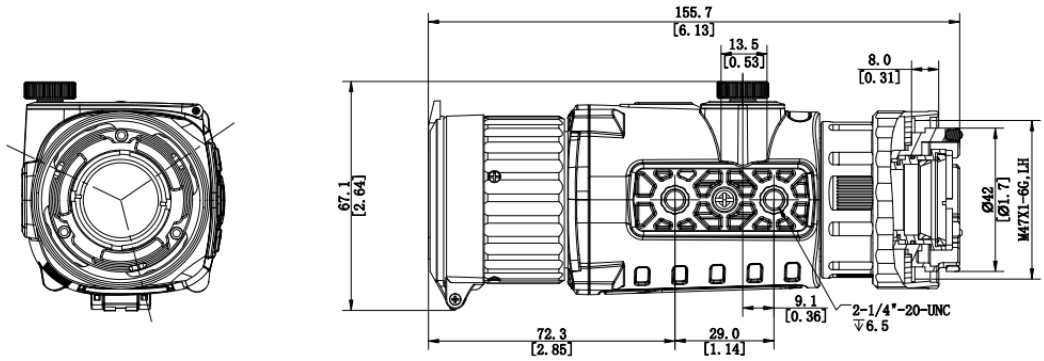
THERMAL MODULE	
Image Sensor	Uncooled Focal Plane Arrays
Max. Resolution	384 × 288
Frame Rate	50 Hz
Pixel Interval	12 μm
Response Waveband	8 μm to 14 μm
NETD	< 35 mK (25°C, F# = 1.0)
Lens (Focal Length)	35 mm
Detection Range	1800 m
IFOV	0.343 mrad
Field of View	7.5° × 5.7°
Min. Focusing Distance	3.5 m
Aperture	F1.0
Magnification	1x

IMAGE DISPLAY	
Display	1024 × 768, 0.39 inch, OLED
Palettes	Black hot, white hot, red hot, fusion
Exit Pupil	22 mm
Eye Relief	10 mm
SYSTEM	
Record Video	On-board video recording
Capture Snapshot	Yes
Standby Mode	Yes
Uniformity Correction	Auto, Manual, External Correction
Storage	Built-in EMMC (16 GB)
PIP	Yes
DPC	Yes
Hotspot	Yes
Hot Track	Yes
Reticle	Yes
Distance Measurement	Yes
POWER SUPPLY	
Battery Type	Replaceable Applicable type: CR123A, RCR123A
Battery Operating Time	4 h (25°C, with hotspot off)
Battery Capacity Display	Yes
Anti-reverse Battery Connection	Yes
Overvoltage Protection	Yes
Type-C Power Supply	5 VDC, 2 A Supports external power supply
GENERAL	
Work Temperature/Humidity	-20°C to 55°C (-4°F to 131°F)
Protection Level	IP67
Vibration & Shock	750 g/1 ms
Dimension	155.7 mm × 67.1 mm × 59.0 mm
Weight	375 g without eyepiece and batteries
Port	Type-C

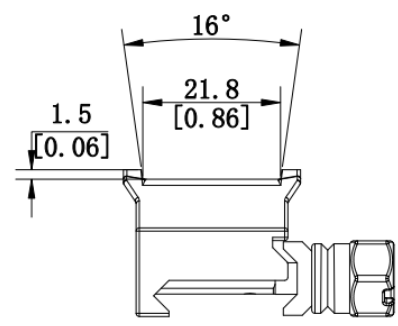
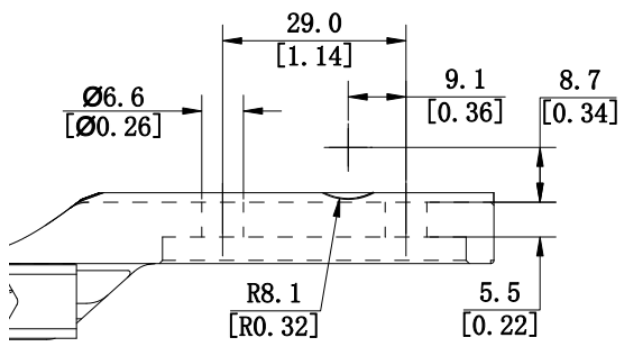
# Available Model

HM-TR13-35XG/W-TH35PC

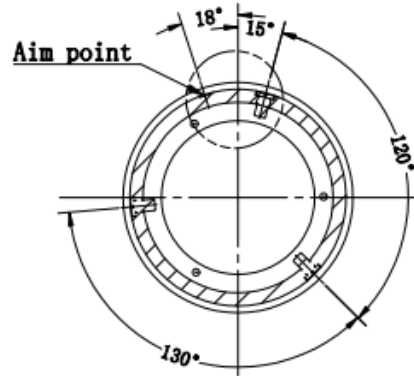
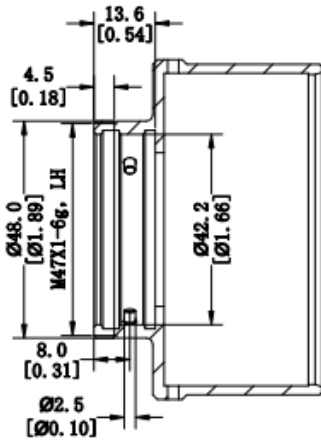
# Dimension



Unit:mm[Inch]

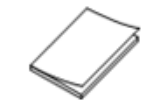


Unit:mm[Inch]



Unit:mm[Inch]

## Accessories



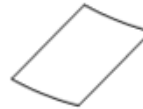
Quick Start Guide (x1)



Battery CR123A (x2)



Type-C Cable (x1)



Dust-free Cloth (x1)



Wrench (x1)



Bag (x1)



Tightening Plate (x1)

## Optional



Adapter (x1)



Insert Ring (x5)

COMPLIANCE NOTICE: The thermal series products might be subject to export controls in various countries or regions, including without limitation, the United States, European Union, United Kingdom and/or other member countries of the Wassenaar Arrangement. Please consult your professional legal or compliance expert or local government authorities for any necessary export license requirements if you intend to transfer, export, re-export the thermal series products between different countries.



 HIKMICRO Outdoor  hikmicro\_outdoor  HIKMICRO Outdoor  HIKMICRO  info@hikmicrotech.com  <http://hikmicrotech.com/en>

room 313, unit B, building 2, 399 danfeng road, xixing subdistrict, binjiang district, hangzhou, zhejiang  
@hangzhou microimage software co., Ltd .2020 | data subject to change without notice!