



FALCON FQ50

Thermal Monocular



HIKMICRO FALCON FQ50 handheld thermal monocular camera is equipped with a 640 × 512 infrared detector and a 1024 × 768 OLED display. It supports functions of observation, hotspot, and so on. The high-sensitivity built-in thermal detector provides you with clear view even in total darkness. The monocular is mainly applied to scenarios such as searching and rescuing, hiking, travel, and hunting, etc.

Key Features

- 640 × 512 resolution with 12 μ m sensor
- High sensitivity thermal module NETD < 20 mK (@25°C, F# = 1.0)
- Super large aperture F0.9
- Replaceable and rechargeable Li-ion battery
- Up to 5 hours continuous operation
- Leading thermal image processing technology: Image Pro
- 1024 × 768 resolution 0.39-inch OLED display

Specification

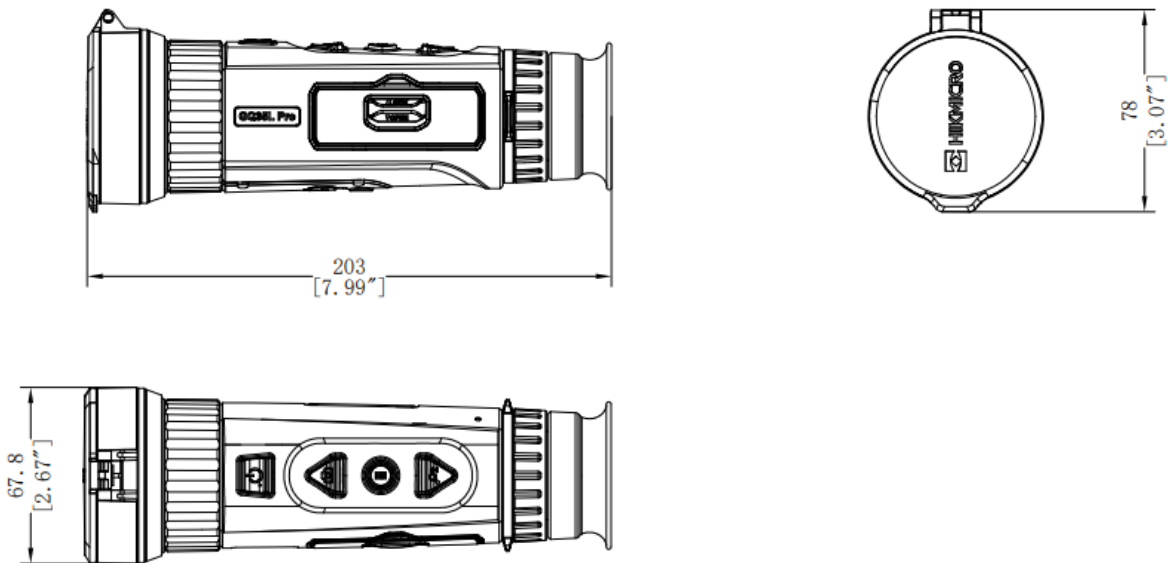
THERMAL MODULE	
IMAGE SENSOR	VOx Uncooled Focal Plane Arrays
RESOLUTION	640 × 512
FRAME RATE	50 Hz
PIXEL INTERVAL	12 μm
RESPONSE WAVEBAND	8 μm to 14 μm
NETD	Less than 20 mK (@25°C), F# = 1.0
FOCAL LENGTH	50 mm
APERTURE	F0.9
MIN. FOCUSING DISTANCE	5.0 m
DIGITAL ZOOM	1×, 2×, 4×, 8×
OPTICAL MAGNIFICATION	2.6
FIELD OF VIEW(H × V), DEGREES/M @100 M	8.75° × 7°/15.3m × 12.2 m
DETECTION RANGE	2600 m
IMAGE DISPLAY	
MONITOR	0.39 inch, OLED, 1024 × 768
PALETTES	Black Hot, White Hot, Red Hot, Fusion
FFC (FLAT FIELD CORRECTION) MODE	Auto, Manual, External Correction
SYSTEM	
STORAGE	Built-in memory module (64 GB)
RECORD VIDEO	Yes
CAPTURE SNAPSHOT	Yes
STANDBY MODE	Yes
HOTSPOT	Yes
HOT TRACK	Yes
POWER SUPPLY	
POWER	5 V, 1.95 W
BATTERY TYPE	Replaceable and Rechargeable Li-ion Battery
BATTERY OPERATING TIME	5 hours continuous running with CVBS and hotspot function off (@25°C)
GENERAL	

WORK TEMPERATURE/HUMIDITY	From -30°C to 55°C (-22°F to 131°F); Humidity: 90% or Less
PROTECTION LEVEL	IP67
DIMENSION	203 mm × 78 mm × 67.8 mm (7.99" × 3.07" × 2.67")
WEIGHT	636 g (1.40 lb)

Available Model

HM-TS46-50XG/W-FQ50

Dimension

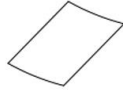


Unit: mm [Inch]

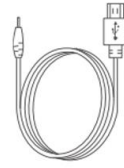
Accessories



Quick Start Guide
(x1)



Non-dust Cloth (x1)



USB Cable (x1)



Wrist Strap (x1)



Carrying case (x1)



Charger (x1)



Cell (x2)



Neck Straps (x1)

COMPLIANCE NOTICE: The thermal series products might be subject to export controls in various countries or regions, including without limitation, the United States, European Union, United Kingdom and/or other member countries of the Wassenaar Arrangement. Please consult your professional legal or compliance expert or local government authorities for any necessary export license requirements if you intend to transfer, export, re-export the thermal series products between different countries.



HIKMICRO SIGHT



Hikmicro Hunting.Global HIKMICRO Outdoor www.hikmicrotech.com hikmicro hunting.global HIKMICRO info@hikmicrotech.com

Room 313, Unit B, Building 2, 399 Danfeng Road, Xixing Subdistrict, Binjiang District, Hangzhou, Zhejiang
© Hangzhou Microimage Software Co., Ltd. All rights reserved. | Data subject to change without notice!