

## B20S Handheld Thermography Camera



HIKMICRO B20S is designed for temperature measurement to find invisible faults. It's equipped with a 256 x 192 resolution thermal detector and a 2MP optical detector. The thermography ranges from -20°C to 550°C (-4°F to 1022°F). Which meets most situations. It helps the staff to quickly find the fault according to accurate temperature measurements of high-temperature targets in the environment. Meanwhile, it provides assistance decisions and ensures safety. The device is mainly applied to various industries, such as building, HVAC, and auto industry, etc.

### ▪ Features

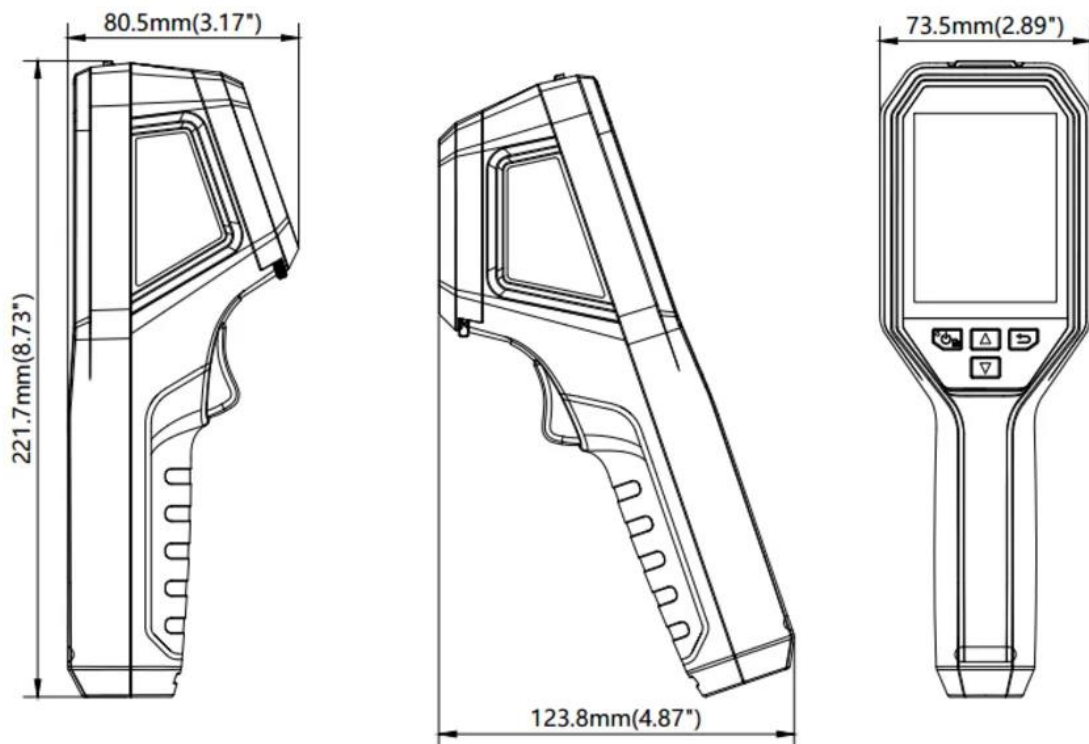
- IR resolution: 256 x 192 (49 152 pixels), 2MP Visual Resolution
- Support SuperIR image enhancement technology
- NETD : < 40 mK (@ 25 °C,F#=1.0)
- Temperature measurement range : -20°C to 550°C (-4°F to 1022°F)
- Accuracy: Max ( $\pm 2^{\circ}\text{C}/3.6^{\circ}\text{F}$ ,  $\pm 2\%$ ), for ambient temperature 15°C to 35°C (59°F to 95°F) and object temperature above 0°C (32°F)
- Support Multiple Scene modes, Some support SuperScene intelligent detection
- 25 Hz image frequency
- 3.2" 480 × 640 Resolution LCD Screen
- Up to 6 hours continuous running
- Support SuperIR image enhancement technology

## ▪ Specification

Infrared Image	
IR Resolution	256 × 192 (49,152 pixels)
SuperIR	Yes, on captured images and live view
Distance to Spot Ratio (D:S)	45:1
NETD	< 40 mK (@ 25 °C, F#=1.0)
Image Frequency	25 Hz
Detector Pitch	12 μm
Spectral Range	7.5 to 14 μm
Focal Length	3.6 mm
F-number	F1.0
Field of View (FOV)	37.2° × 50.0°
Spatial Resolution (IFOV)	3.3 mrad
Min. Focus Distance	0.3 m (0.98 ft)
Focus Mode	Focus Free
Image Display	
Display	480 × 640 Resolution, 3.2" LCD Screen
Image Modes	Thermal/Visual/Fusion/PIP
Color Palettes	White Hot, Black Hot, Rainbow, Ironbow, Red Hot, Fusion, Blue Yellow
Visual Camera	1600 × 1200 (2 MP)
Screen Brightness	Manual
Measurement and Analysis	
SuperScene Mode	Custom, Water Leak, Insulation, Floor Heating, Electrical Faults, Solar Panel, Macro Mode, Insulation Pro, Condensation
Smart SuperScene Alarm	Water Leak, Insulation, Floor Heating
Alarm	More than, Less than
Alarm Linkage	Flashing Alarm, Audible Warning, Alarm Mode Palettes
Temperature Measurement Mode	Measurements presets (center spot, max spot, min spot, off)
Object Temperature Range	Range -20°C to 150°C (-4°F to 302°F) Range 100°C to 550°C (212°F to 1022°F)
Accuracy	Max. (± 2°C/3.6°F, ± 2%), for ambient temperature 15°C to 35°C (59°F to 95°F) and object temperature above 0°C (32°F)
Level and Span Mode	Auto/Manual
Data Storage and Communication	
Storage Media	Built-in 64 GB eMMC(user available storage space is less than the nominal capacity)
Image Storage Capacity	Max 140,000 Images
Image File Format	Radiometric JPEG
Video Storage Capacity	MP4 Approx. 558h, HRV Approx. 98h
Video File Format	MP4, HRV

Radiometric Infrared-Video Streaming (Compressed)	Over UVC and Wi-Fi
<b>General</b>	
Wi-Fi	802.11 b/g/n (2.4GHz)
USB Interface	USB Type-C
LED Light	Yes
Battery Type	Rechargeable Li-ion Battery
Battery Operating Time	Approx. 6 hours
Battery Charging Time	Approx. 3 hours fully charged
Protection Level	IP54
Drop Test Height	2 m (6.56 ft)
Working Temperature Range	-10°C to 50°C (14°F to 122°F)
Storage Temperature Range	-20°C to 60°C (-4°F to 140°F)
Relative Humidity	< 95% non-condensing
Weight	Approx. 380 g (0.84 lb)
Dimension	221.7 × 73.5 × 123.8mm (8.73 × 2.89 × 4.87 in)
Tripod Mounting	UNC ¼"-20
Power Supply	USB-C (5V/2A)

## ▪ Dimension



## ▪ Packaging List



Camera (x1)



QSG (x1)



USB2.0 A to USB Type-C Cable (x1)



Wrist Strap (x1)



Calibration Certificate(x1)

## ▪ Accessory ▪ Optional

### HM-B01-POUCH POUCH



### HM-B201-MACRO Thermography Camera Macro Lens



**COMPLIANCE NOTICE:** The thermal series products might be subject to export controls in various countries or regions, including without limitation, the United States, European Union, United Kingdom and/or other member countries of the Wassenaar Arrangement. Please consult your professional legal or compliance expert or local government authorities for any necessary export license requirements if you intend to transfer, export, re-export the thermal series products between different countries.



 Hikmicro Industrial

 hikmicro\_industrial

 HIKMICRO Industrial

 HIKMICRO

 info@hikmicrotech.com

 www.hikmicrotech.com

© Hangzhou Microimage Software Co., Ltd. All Rights Reserved.

\*Note: Specifications are subject to change without notice. For the current specs,  
please go to [www.hikmicrotech.com](http://www.hikmicrotech.com)