

G41H Handheld Thermal Camera



The HIKMICRO G41 high-performance handheld thermal camera is ideal for industrial, predictive, oil and gas, and utility maintenance inspections.

HIKMICRO G41 has a high sensitivity (NETD < 35 mK) and high resolution (480 x 360) HIKMICRO VOx detector, and the temperature calibration is up to 2200°C. Advanced features help thermal imaging professionals to easily survey equipment and find signs of malfunction, such as GPS and compass annotations, continuous digital zoom, and 1-Tap level and span.

Connect HIKMICRO Viewer App or HIKMICRO Analyzer software to transfer, analyze, and share pictures, and generate reports for free.

▪ Features

- Thermal resolution: 480 x 360 (172,800 pixels), NETD : < 35 mK (@ 30 °C, F#=1.0)
- Temperature measurement range : -20 °C to 2000 °C (-4 °F to 3632 °F)
- 1.x to 8.x continuous digital zoom
- Manual, automatic, and 1-Tap Level and Span
- GPS & compass annotation functions
- Long-distance laser light supplement for thermography targets
- LED light supplement provides light in dark scenarios

▪ Specification

| Infrared Image | |
|---------------------------|---|
| IR Resolution | 480 x 360 (172,800 pixels) |
| SuperIR | 960 x 720 (691,200 pixels) |
| NETD | <35 mK (@ 30 °C, F#=1.0) |
| Image Frequency | 50 Hz |
| Detector Pitch | 17 μm |
| Spectral Range | 7.5 to 14 μm |
| Focal Length | 25 mm For other optional lenses, see the respective spec sheets. |
| F-number | F 1.0 |
| Field of View (FOV) | 18.7° × 14° For other optional lenses, see the respective spec sheets. |
| Spatial Resolution (IFOV) | 0.68 mrad For other optional lenses, see the respective spec sheets. |
| Min. Focus Distance | 0.25 m (0.82 ft) For other optional lenses, see the respective spec sheets. |
| Focus Mode | Laser Assisted AF/Continuous AF/AF/Manual Focus/Touch AF |
| Focus Speed | Approx. 2 second |
| Image Display | |
| Visual Camera | 3264 × 2448 (8 MP) |
| Display | 800 × 480 Resolution, 4.3" LCD Touch Screen |
| Screen Brightness | Manual/Auto |
| Digital Zoom | 1.x to 8.x continuous |
| Color Palettes | White Hot, Black Hot, Rainbow, Ironbow, Red Hot, Fusion, Rain, Blue Red, Blue Yellow, Bright Rainbow. |
| Focus Mode Palette | Above/Below/Interval |
| Color Alarm | Above/Below/Interval/Insulation/Condensation |
| Image Modes | Infrared/Visual/Fusion/PIP/Blending |
| Measurement and Analysis | |
| Object Temperature Range | Range -20°C to 150°C (-4 °F to 302°F) |
| | Range 0°C to 650°C (32°F to 1202°F) |
| | Range 300°C to 2000°C (572°F to 3632°F) |

| | |
|---|--|
| Accuracy | <p>Range -20 to 150°C (-4 to 302°F):</p> <p>-20 to 0°C (-4 to 32°F): ±2°C (±3.6°F)</p> <p>0 to 100°C (32 to 212°F): ±1°C (±1.8°F)</p> <p>100 to 150°C (212 to 302°F): ±1%</p> <p>Range 0 to 650°C (32 to 1202°F):</p> <p>0 to 100°C (32 to 212°F): ±2°C (±3.6°F)</p> <p>100 to 650°C (212 to 302°F): ±2%</p> <p>Range 300 to 2000°C (572 to 3632°F): ±2%</p> |
| Measurement Tools | Center Spot, Hot Spot, Cold Spot User-definable: Delta T, 10 spots, 1 line, 5 rectangles, and 5 circle |
| Level and Span Mode | Auto/Manual/1-Tap Touch-screen |
| Inspection Route | Yes |
| Data Storage and Communication | |
| Storage Media | Removable 64 GB Micro SD Card |
| Image Storage Capacity | Approx. 60,000 Images |
| Annotations | Voice note: max. 60 seconds; Text note: max. 200 characters |
| Video Storage Capacity | Approx. 54 hours |
| Video File Format | MP4 video and radiometric video |
| Image Format | Radiometric JPEG |
| Radiometric Infrared-Video Streaming (Compressed) | Over UVC, Wi-Fi |
| General | |
| Wi-Fi | 802.11 b/g/n (2.4 GHz and 5 GHz) |
| Bluetooth | Bluetooth 4.2 |
| USB Interface | USB Type-C |
| HDMI Interface | Yes |
| Laser Pointer | Yes |
| Laser | Yes, Class II, Wavelength: 635 nm; Power: < 1 mW |
| Laser Distance Meter | Indoor distance: 50 m (164 ft); Outdoor distance: 10 m (33 ft). |
| GPS & Compass | Yes |
| Battery Type | Interchangeable and rechargeable Li-ion battery |
| Battery Operating Time | Approx. 4 hours |
| Battery Charging Time | Approx. 4 hours fully charged |
| Power Saving Mode | Yes |
| Protection Level | IP54, IEC 60529 |
| Drop Test Height | 2 m (6.56 ft), IEC 60068-2-31 |
| Safety | IEC 61010-1 |
| EMC | EN 301 489-1, EN 301 489-17, EN IEC 61000-6-2, EN IEC 61000-6-3, EN IEC 61326-1, EN IEC 61326-2-2 |
| Vibration | 2 g, IEC 60068-2-6 |
| Shock | 25 g, IEC 60068-2-27 |

| | |
|---------------------------|---|
| Working Temperature Range | -20°C to 50°C (-4°F to 122°F) |
| Storage Temperature Range | -20°C to 60°C (-4°F to 140°F) |
| Relative Humidity | <95% non-condensing |
| Weight | Approx. 1058 g (2.33 lb) |
| Dimension | 284.7 × 120.6 × 124.5 mm (11.21 × 4.75 × 4.9 in) |
| Tripod Mounting | UNC ¼" -20 |
| LED Light | Yes |
| Warranty | 3 years for the full product, 10 years for the detector, and 2 years for the battery. |

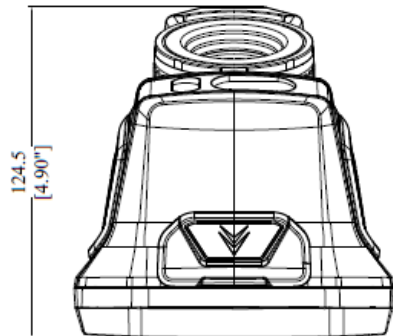
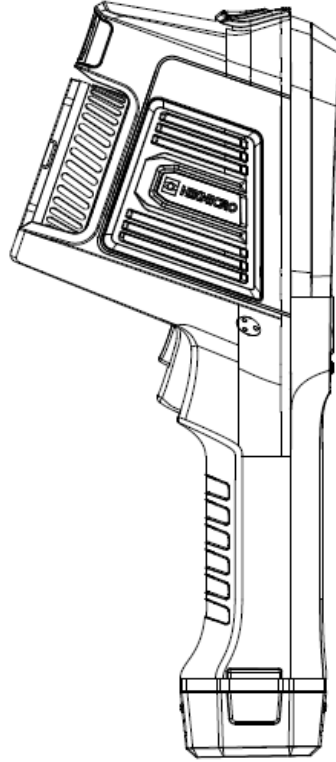
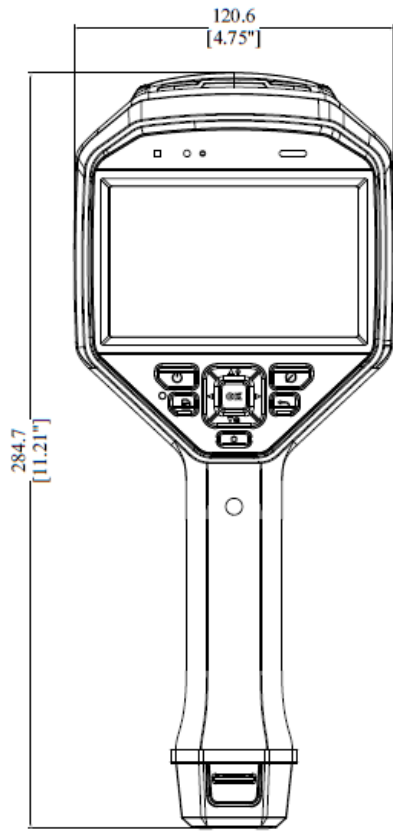
▪ **Available Model**

HM-TP74H-25SVF/W-G41H

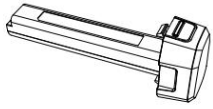
HM-TP74-25SVF/W-G41H(MSI-MID)

HM-TP74-25SVF/W-G41H

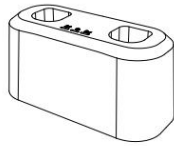
▪ Dimension



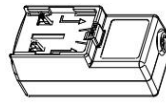
▪ Packaging List



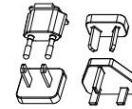
Battery (x3)



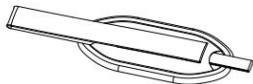
Charging Base (x1)



Power Adapter (x1)



Adapter (x4)



Hand Strap (x1)



USB Cable (x1)



HDMI Cable (x1)



SD Card (x1)



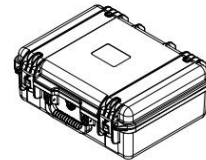
Lens cover (X1)



Accessories bag (x1)



Quick Start Guide (x1)



Carrying Case (x1)

▪ Accessory

▪ Optional

INR18650-35E-1S2P
G Series Battery



HM-520ZC2
G Series Charging
Base



HM-701ZJ-G01-
SHIELD
Handheld
Thermography
Accessory



HM-SP01-POUCH
M/G/SP Series Pouch



HM-G605-LENS1
0.5x wide angle lens,
for G41 and G61



HM-G620-LENS1
2x telephoto lens, for
G41 and G61



HM-G630-LENS1
3x telephoto lens, for
G41 and G61



regions, including without limitation, the United States, European Union, United Kingdom and/or other member countries of the Wassenaar Arrangement. Please consult your professional legal or compliance expert or local government authorities for any necessary export license requirements if you intend to transfer, export, re-export the thermal series products between different countries.



 Hikmicro Industrial

 hikmicro_industrial

 HIKMICRO Industrial

 HIKMICRO

 info@hikmicrotech.com

 www.hikmicrotech.com

© Hangzhou Microimage Software Co., Ltd. All Rights Reserved.

*Note: Specifications are subject to change without notice. For the current specs,
please go to www.hikmicrotech.com