

HM-SP620-MACRO



The interchangeable lens series is often used with handheld thermal cameras to expand the focal length of the original camera to different ranges, so as to obtain different FOVs and scene scopes. Compatible with SP40, SP40H, SP60, SP60H. Macro lenses like the HM-SP620-MACRO allow very close focus to capture sharp images of small objects with accurate measurements.

▪ Key Feature

- Min. Focus Distance up to 31.6 mm
- Spatial Resolution (IFOV) up to 20 $\mu\text{m}/\text{pixel}$
- High Accuracy: Max($\pm 2^\circ\text{C}/3.6^\circ\text{F}$, $\pm 2\%$), for object temperature between -20°C (-4°F) to 150°C (302°F)

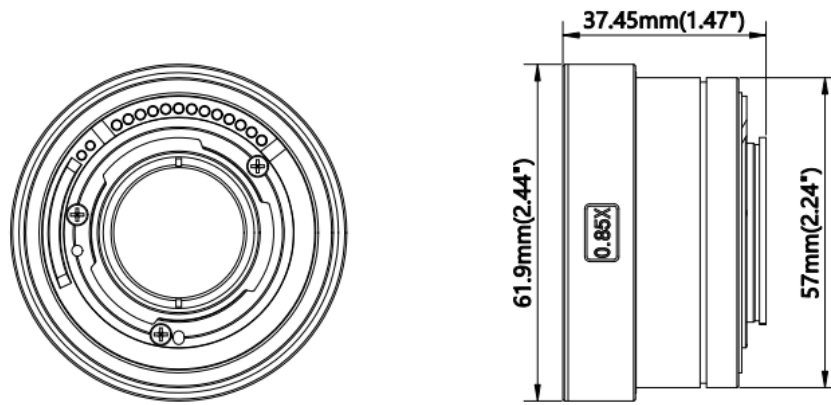
▪ Specification

| Infrared Image | |
|------------------------------|--|
| Focal Length | 31.6 mm(0.11 ft) |
| FOV (Field of View) | SP40/SP40H: 9.9 mm x 7.48 mm SP60/SP60H: 13.02 mm x 9.9 mm |
| IFOV (Spatial Resolution) | 20 $\mu\text{m}/\text{pixel}$ |
| Min. Focusing Distance | 31.6 mm |
| Measurement and Analysis | |
| Object Temperature Range | -20°C to 150°C (-4°F to 302°F) |
| Accuracy | Max. ($\pm 2^\circ\text{C}/3.6^\circ\text{F}$, $\pm 2\%$) |
| General | |
| Working Temperature Range | -20°C to 50°C (-4°F to 122°F) |
| Weight | 176 g (0.39 lb) |
| Dimension | 37.5 mm x ϕ 61.9 mm (1.47" x ϕ 2.44") |
| Accessory | |
| Min. Target Size for Imaging | 20 μm |

▪ Available Model




HM-SP620-MACRO

▪ Dimension



Unit: mm (Inch)



 HIKMICRO Thermography  hikmicro_thermography  HIKMICRO Thermography  HIKMICRO  info@hikmicrotech.com  <http://hikmicrotech.com/en>

© 2023 Hangzhou HIKMICRO Sensing Technology Co., Ltd. All Rights Reserved.
Data subject to change without notice!