

# CHEETAH C32F-NL

## Digital Night Vision Monocular



HIKMICRO Cheetah C32F-NL Digital Night Vision Monocular, which can be easily transformed into a scope, performs well under any lighting condition. Its advanced 2560 × 1440 HD sensor and 1920 × 1080 OLED display are capable of capturing every object in great detail and with rich clarity. Featuring a specific optical component, it can detect more IR information in fog.

### Key Features

- 2560 × 1440 high-definition sensor
- 1920 × 1080 resolution 0.49" OLED display
- Supports Day/Night/Auto/Defog mode
- Built-in adjustable IR emitter
- Supports audio recording and recoil-activation recording
- Support video recording and snapshot, built-in eMMC (64 GB)
- Detection range up to 350 m
- Built-in laser rangefinder, accurate measurement of distance
- Replaceable and rechargeable battery

## Specification

| MAIN                        |   |
|-----------------------------|---|
| MAX. RESOLUTION             | 2560 × 1440   |
| LENS (FOCAL LENGTH)         | 32 mm   |
| FIELD OF VIEW               | 9.9° × 7.5°   |
| MIN. FOCUSING DISTANCE      | 3 m   |
| FRAME RATE                  | 25 Hz   |
| APERTURE                    | F1.2  |
| MAGNIFICATION               | 1×  |
| DETECTION RANGE             | 350 m (with IR 940 nm ON)   |
| IMAGE DISPLAY               |   |
| DISPLAY                     | 1920 × 1080 resolution 0.49" OLED   |
| IMAGE MODE                  | Day, Night, Auto, Defog   |
| EXIT PUPIL                  | 22 mm   |
| EYE RELIEF                  | 10 mm   |
| DIOPTER (RANGE)             | NA  |
| SYSTEM                      |   |
| DIGITAL ZOOM                | 1×  |
| CAPTURE SNAPSHOT            | Yes   |
| STANDBY MODE                | Yes   |
| RECOIL-ACTIVATION RECORDING | Yes   |
| RETICLE                     | NO  |
| RECORD VIDEO RESOLUTION     | Yes   |
| FREEZE ZEROING              | NO  |
| STORAGE                     | Built-in EMMC (64 GB)   |
| PIP                         | NO  |
| AUDIO RECORDING             | Yes   |
| MAX. RECOIL                 | 750 g   |
| HOTSPOT                     | Yes   |
| POWER SUPPLY                |   |
| BATTERY TYPE                | One Rechargeable Li-ion battery   |
| BATTERY OPERATING TIME      | 5.5 hours continuous running (@ 25°C, Hotspot, IR Emitter, Laser Rangefinder OFF) |
| OVERVOLTAGE PROTECTION      | Yes   |

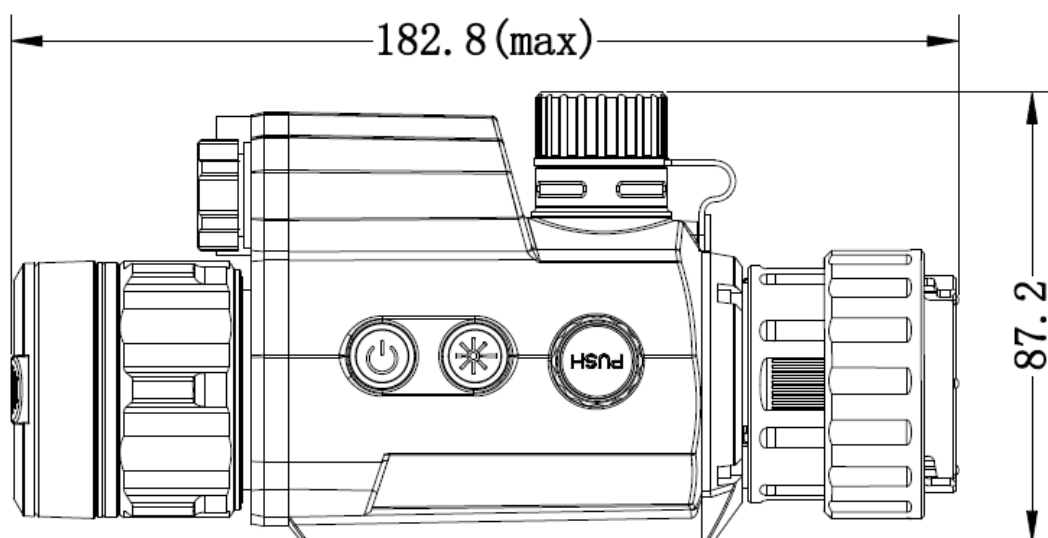
|                     |   |
|---------------------|---|
| TYPE-C POWER SUPPLY | 5 VDC/2 A, USB Type-C interface<br>Supports external power supply |
|---------------------|---|

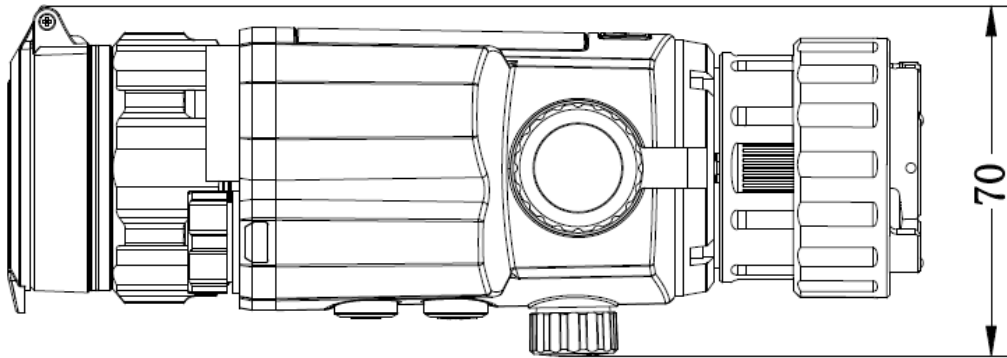
| GENERAL                |   |
|------------------------|---|
| WORKING TEMPERATURE    | -30°C to 55°C (-22°F to 131°F)                    |
| DIMENSION              | 182.8 mm × 70 mm × 87.2 mm (7.2" × 2.76" × 3.43") |
| WEIGHT                 | ≤ 477 g without eyepiece and batteries            |
| PROTECTION LEVEL       | IP67  |
| LASER RANGEFINDER      |   |
| SAFETY CLASS FOR LASER | Class 1   |
| WAVE LENGTH            | 905 nm  |
| MAX. MEASURING RANGE   | 1000 m  |
| MEASUREMENT ACCURACY   | ± 4‰  |
| MIN. MEASURING RANGE   | 10 m  |

## Available Model

**HM-TR2E-32Q/W-C32F-NL**

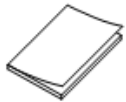
## Dimension





Unit: mm [inch]

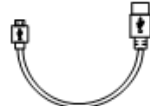
## Accessories



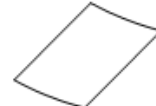
Quick Start Guide (x1)



Battery (x2)



Type-C Cable (x1)



Dust-free Cloth (x1)



Bag (x1)



Battery Charger

## Optional Accessories



Adapter (x1)



Insert Ring (x5)



HIKMICRO Outdoor hikmicro\_outdoor HIKMICRO Outdoor HIKMICRO info@hikmicrotech.com <http://hikmicrotech.com/en>

room 313, unit B, building 2, 399 danfeng road, xixing subdistrict, binjiang district, hangzhou, zhejiang  
@hangzhou microimage software co., Ltd .2020 | data subject to change without notice!