



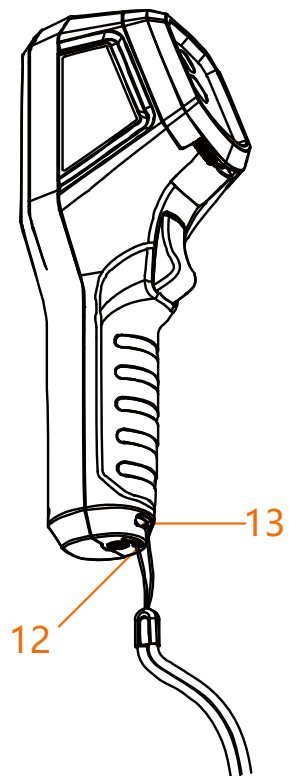
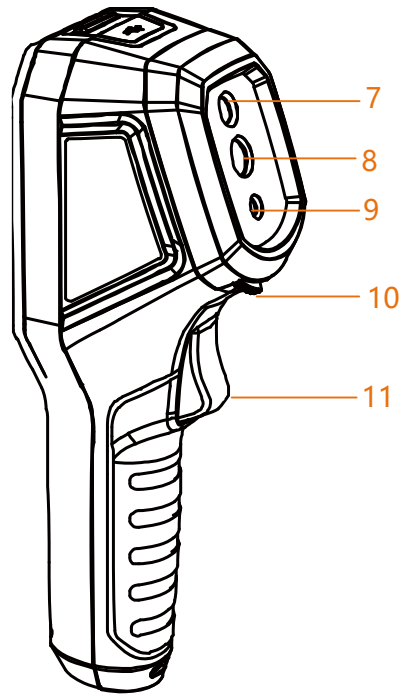
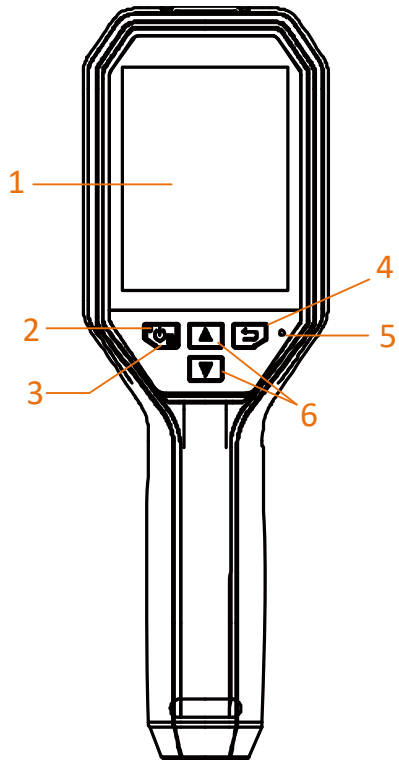
Handheld Thermography Camera HIKMICRO B Series

Quick Start Guide



Contact Us

Handheld Thermography Camera B Series Quick Start Guide	English	2
Kurzanleitung für tragbare Wärmebildkamera B-Serie	Deutsch	5
Guide de démarrage rapide de la caméra thermographique portable Série B	Français	10
Guía de inicio rápido de la cámara portátil de análisis termográfico serie B	Español	13
Guia de início rápido da câmara termográfica portátil B Series	Português	17
Guida rapida all'uso della termocamera portatile B Series	Italiano	21
Ruční termokamera B Series Stručná příručka	Čeština	24
Ručná termografická kamera série B Sprievodca rýchlym spustením	Slovenčina	28
Skrócony podręcznik użytkownika ręcznej kamery termowizyjnej z serii B	Polski	31
B sorozatú kézi hőkamera rövid útmutatója	Magyar	35
Ghid de inițiere rapidă a camerei termografice portabile seria B	Română	39
Snelstartgids draagbare thermografische camera B-serie	Nederlands	43
Håndholdt termografisk kamera i B-serien – startvejledning	Dansk	47
Håndholdt termografikamera i B-serien – hurtigstartveiledning	Norsk	50
Kannettavan lämpökameran, B-sarja, pika-aloitusopas	Suomi	53
Snabbstartsguide för bärbar serie B-värmekamera	Svenska	57
Краткое руководство к портативной термографической камере серии B	Русский	60
B Serisi El Tipi Termografi Kamerası Hızlı Başlangıç Kılavuzu	Türkçe	65
ハンドヘルドサーモグラフィカメラBシリーズクイックスタートガイド	日本語	68
휴대용 열화상 카메라 B 시리즈 빠른 시작 가이드	한국어	71
手持式熱成像攝影機 B 系列快速入門指南	繁體中文	75



1. Brief Description

The handheld thermography camera featuring the plastic shell is mainly used in explosive gas environment other than methane gas.

2. Appearance (Page 1)

The appearance of the device may vary according to different models. Please take the actual product for reference.

Buttons and Interfaces

No.	Description	Function
1	Screen	View live view.
2	Charging Indicator	<ul style="list-style-type: none"> ● Solid red: Charging normally. ● Solid green: Fully charged.
3	Power Key	<ul style="list-style-type: none"> ● Press: Display menu or confirm operation. ● Hold: Power on/off.
4	Back Key	Exit the menu or return to previous menu.
5	Buzzer	Output audible alarm.
6	Navigation Key	Press to select parameters.
7	Optical Lens	View the optical image.
8	Thermal Lens	View the thermal image.
9	LED Light	Increase ambient brightness in dark environment.
10	Lens Protector Switch	Mount or dismount the lens protector.
11	Trigger	<ul style="list-style-type: none"> ● In live view interface, press the trigger to capture snapshots. ● In menu mode, press the trigger to go back to live view.
12	Tripod Mount	Mount the tripod.
13	Wrist Strap Attachment Point	Mount the wrist strap.
14	Type-C Interface	Charge the device or export files with USB Type-A to Type-C cable.

3. Charge Device

After the device starts up, the OSD (on-screen display) shows the battery status. When the battery is low, charge the device and ensure it works properly.

For the first charge, charge the device for more than 8 hours after the device is turned on.

Steps

1. Lift the Type-C cover.
2. Plug in USB Type-A to Type-C cable and charge the device.

User Manual



Legal Information

©2023 Hangzhou Microimage Software Co., Ltd. All rights reserved.


About this Manual

The Manual includes instructions for using and managing the Product. Pictures, charts, images and all other information hereinafter are for description and explanation only. The information contained in the Manual is subject to change, without notice, due to firmware updates or other reasons. Please find the latest version of this Manual at the HIKMICRO website (www.hikmicrotech.com).

Please use this Manual with the guidance and assistance of professionals trained in supporting the Product.

This manual is applicable to the following models: HM-TP52N-3AQF-BX20, BX20, HM-TP5XY-ABCDEF, HM-TP5A-XY, HM-TP51N-3AQF, HM-TP53N-3AQF, HM-TP5XN-A, HM-TP5AB-XY, HM-TP5AB-XYZ, HM-TP5XY-AB, HM-TP5XY-A.

Trademarks Acknowledgement

 HIKMICRO and other HIKMICRO's trademarks and logos are the properties of HIKMICRO in various jurisdictions.

Other trademarks and logos mentioned are the properties of their respective owners.

LEGAL DISCLAIMER

TO THE MAXIMUM EXTENT PERMITTED BY APPLICABLE LAW, THIS MANUAL AND THE PRODUCT DESCRIBED, WITH ITS HARDWARE, SOFTWARE AND FIRMWARE, ARE PROVIDED "AS IS" AND "WITH ALL FAULTS AND ERRORS". HIKMICRO MAKES NO WARRANTIES, EXPRESS OR IMPLIED, INCLUDING WITHOUT LIMITATION, MERCHANTABILITY, SATISFACTORY QUALITY, OR FITNESS FOR A PARTICULAR PURPOSE. THE USE OF THE PRODUCT BY YOU IS AT YOUR OWN RISK. IN NO EVENT WILL HIKMICRO BE LIABLE TO YOU FOR ANY SPECIAL, CONSEQUENTIAL, INCIDENTAL, OR INDIRECT DAMAGES, INCLUDING, AMONG OTHERS, DAMAGES FOR

LOSS OF BUSINESS PROFITS, BUSINESS INTERRUPTION, OR LOSS OF DATA, CORRUPTION OF SYSTEMS, OR LOSS OF DOCUMENTATION, WHETHER BASED ON BREACH OF CONTRACT, TORT (INCLUDING NEGLIGENCE), PRODUCT LIABILITY, OR OTHERWISE, IN CONNECTION WITH THE USE OF THE PRODUCT, EVEN IF HIKMICRO HAS BEEN ADVISED OF THE POSSIBILITY OF SUCH DAMAGES OR LOSS. YOU ACKNOWLEDGE THAT THE NATURE OF THE INTERNET PROVIDES FOR INHERENT SECURITY RISKS, AND HIKMICRO SHALL NOT TAKE ANY RESPONSIBILITIES FOR ABNORMAL OPERATION, PRIVACY LEAKAGE OR OTHER DAMAGES RESULTING FROM CYBER-ATTACK, HACKER ATTACK, VIRUS INFECTION, OR OTHER INTERNET SECURITY RISKS; HOWEVER, HIKMICRO WILL PROVIDE TIMELY TECHNICAL SUPPORT IF REQUIRED.

YOU AGREE TO USE THIS PRODUCT IN COMPLIANCE WITH ALL APPLICABLE LAWS, AND YOU ARE SOLELY RESPONSIBLE FOR ENSURING THAT YOUR USE CONFORMS TO THE APPLICABLE LAW. ESPECIALLY, YOU ARE RESPONSIBLE, FOR USING THIS PRODUCT IN A MANNER THAT DOES NOT INFRINGE ON THE RIGHTS OF THIRD PARTIES, INCLUDING WITHOUT LIMITATION, RIGHTS OF PUBLICITY, INTELLECTUAL PROPERTY RIGHTS, OR DATA PROTECTION AND OTHER PRIVACY RIGHTS. YOU SHALL NOT USE THIS PRODUCT FOR ANY PROHIBITED END-USES, INCLUDING THE DEVELOPMENT OR PRODUCTION OF WEAPONS OF MASS DESTRUCTION, THE DEVELOPMENT OR PRODUCTION OF CHEMICAL OR BIOLOGICAL WEAPONS, ANY ACTIVITIES IN THE CONTEXT RELATED TO ANY NUCLEAR EXPLOSIVE OR UNSAFE NUCLEAR FUEL-CYCLE, OR IN SUPPORT OF HUMAN RIGHTS ABUSES. IN THE EVENT OF ANY CONFLICTS BETWEEN THIS MANUAL AND THE APPLICABLE LAW, THE LATTER PREVAILS.

Regulatory Information

These clauses apply only to the products bearing the corresponding mark or information.

EU Compliance Statement



This product and - if applicable - the supplied accessories too are marked with "CE" and comply therefore with the applicable harmonized European standards listed under the Directive 2014/30/EU (EMCD) and Directive 2011/65/EU (RoHS).

Note: The products with the input voltage of within 50 to 1000 VAC or 75 to 1500 VDC comply with Directive 2014/35/EU (LVD), and the rest products comply with Directive 2001/95/EC

(GPSD). Please check the specific power supply information for reference.

For the device without a supplied power adapter, use the power adapter provided by a qualified manufacturer. Refer to the product specification for detailed power requirements.

For the device without a supplied battery, use the battery provided by a qualified manufacturer. Refer to the product specification for detailed battery requirements.



Directive 2012/19/EU (WEEE Directive): Products marked with this symbol cannot be disposed of as unsorted municipal waste in the European Union. For proper recycling, return this product to your local supplier upon the purchase of equivalent new equipment, or dispose of it at designated collection points.

For more information see: www.recyclethis.info



Directive 2006/66/EC and its amendment 2013/56/EU (Battery Directive): This product contains a battery that cannot be disposed of as unsorted municipal waste in the European Union. See the product documentation for specific battery information. The battery is marked with this symbol, which may include lettering to indicate cadmium (Cd), lead (Pb), or mercury (Hg). For proper recycling, return the battery to your supplier or to a designated collection point. For more information see: www.recyclethis.info.

Intended Use of the Camera

ATEX: II 3 G Ex ic IIC T6 Gc
II 3 D Ex ic IIIC T85°C Dc

IECEX: Ex ic IIC T6 Gc
Ex ic IIIC T85°C Dc

IP Degree: IP54

Ex Standards:

IEC 60079-0:2017 IEC 60079-11:2011

Ex Certificarte:

TÜV 23 ATEX 8963 IECEX TUR 23.0015

Special Conditions for Safe Use in Hazardous Area:

1. It is prohibited to change the names, models, specifications, and parameters of intrinsic safety circuits or related components when using and maintaining the device.
2. When disassembling or operating the device, please be sure to disconnect the power supply and do not operate the device when it is powered on. Do not perform the above-mentioned operations if the device is in the explosive gas environment.

3. The device should avoid the ignition caused by electrostatic discharge during normal use, maintenance, and cleaning. Do not wipe the device in the explosive gas environment. If it is necessary to replace or wipe the device, it should be finished in the environment without explosive gas.
4. Charging or replacing batteries of the device is prohibited in hazardous areas.
5. The device shall be protected from exposure to daylight or light from luminaires.
6. The device shall only be charged when in the non-hazardous area using a charger specifically supplied by the manufacturer for use with the unit. The charging temperature range is 0 °C to 45 °C.
7. The battery of device is prohibited to be replaced by end users.
8. The interface cover shall block off the type-C USB port in hazardous location.
9. Resistance to impact was tested corresponding to the low risk of mechanical danger. The device must be protected against strong impacts.

Safety Instruction

These instructions are intended to ensure that user can use the product correctly to avoid danger or property loss.

Laws and Regulations

- Use of the product must be in strict compliance with the local electrical safety regulations.

Transportation

- Keep the device in original or similar packaging while transporting it.
- Keep all wrappers after unpacking them for future use. In case of any failure occurred, you need to return the device to the factory with the original wrapper. Transportation without the original wrapper may result in damage on the device and the company shall not take any responsibilities.
- Do not drop the product or subject it to physical shock. Keep the device away from magnetic interference.

Power Supply

- The input voltage should meet the Limited Power Source (3.7 VDC, 0.5 A) according to the IEC61010-1 standard. Please refer to technical specifications for detailed information.
- Make sure the plug is properly connected to the power socket.
- DO NOT connect multiple devices to one power adapter, to avoid over-heating or fire hazards caused by overload.

- Use the power adapter provided by a qualified manufacturer. Refer to the product specification for detailed power requirements.

Battery

- The built-in battery cannot be dismantled. Please contact the manufacture for repair if necessary. The battery may explode if it is replaced by an incorrect type. Replace with the same or equivalent type only. Dispose of used batteries in conformance with the instructions provided by the battery manufacturer.
- Use the battery provided by a qualified manufacturer. Refer to the product specification for detailed battery requirements.
- For long-term storage of the battery, make sure it is fully charged every half year to ensure the battery quality. Otherwise, damage may occur.
- Make sure the plug is properly connected to the power socket.
- When the device is powered off and the RTC battery is full, the time settings can be kept for 4 months.
- Before the first use, charge the lithium battery for more than 8 hours.

Maintenance

- If the product does not work properly, please contact your dealer or the nearest service center. We shall not assume any responsibility for problems caused by unauthorized repair or maintenance.
- Wipe the device gently with a clean cloth and a small quantity of ethanol, if necessary.
- If the equipment is used in a manner not specified by the manufacturer, the protection provided by the device may be impaired.
- Your camera will periodically perform a self-calibration to optimize image quality and measurement accuracy. In this process the image will pause briefly and you will hear a "click" as a shutter moves in front of the detector. The self-calibration will be more frequent during the startup or in very cold or hot environments. This is a normal part of operation to ensure optimum performance for your camera.

Calibration Service

- We recommend you send the device back for calibration once a year, and please contact the local dealer for the information on maintenance points. For more detailed calibration services, please visit <https://www.hikmicrotech.com/en/support/calibration-service.html>.

Using Environment

- Make sure the running environment meets the requirement of the device. The operating temperature shall be -20 °C to 40 °C (-4 °F to 104 °F), humidity shall be 95% or less.
- Place the device in a dry and well-ventilated environment.
- DO NOT expose the device to high electromagnetic radiation or dusty environments.
- DO NOT aim the lens at the sun or any other bright light.
- When any laser equipment is in use, make sure that the device lens is not exposed to the laser beam, or it may burn out.

Technical support

<https://www.hikmicrotech.com/en/contact-us.html> will help you as a HIKMICRO customer to get the most out of your HIKMICRO products. The portal gives you access to our support team, software and documentation, service contacts, etc.

Emergency

If smoke, odor, or noise arises from the device, immediately turn off the power, unplug the power cable, and contact the service center.

Manufacture Address

Room 313, Unit B, Building 2, 399 Danfeng Road, Xixing Subdistrict, Binjiang District, Hangzhou, Zhejiang 310052, China
Hangzhou Microimage Software Co., Ltd.

COMPLIANCE NOTICE: The thermal series products might be subject to export controls in various countries or regions, including without limitation, the United States, European Union, United Kingdom and/or other member countries of the Wassenaar Arrangement. Please consult your professional legal or compliance expert or local government authorities for any necessary export license requirements if you intend to transfer, export, re-export the thermal series products between different countries.

Deutsch

1. Kurze Beschreibung

Die tragbare Wärmebildkamera mit Kunststoffgehäuse wird hauptsächlich in Umgebungen mit explosiven Gasen außer Methangas eingesetzt.

2. Erscheinungsbild (Seite 1)

Das Erscheinungsbild des Geräts variiert je nach Modell. Bitte nehmen Sie das tatsächliche Produkt als Referenz.

Tasten und Schnittstellen

Nr.	Beschreibung	Funktion
1	Bildschirm	Ansichten Live-Ansicht.
2	Ladeanzeige	<ul style="list-style-type: none">• Leuchtet dauerhaft rot: Wird normal aufgeladen.• Leuchtet dauerhaft grün: Vollständig aufgeladen.
3	Ein/Aus	<ul style="list-style-type: none">• Drücken: Menü anzeigen oder Vorgang bestätigen.• Gedrückt halten: Ein/Ausschalten.
4	Zurück	Menü verlassen oder zum vorherigen Menü zurückkehren.
5	Summer	Akustischen Alarm ausgeben.
6	Navigationstaste	Zur Auswahl von Einstellungen drücken.
7	Optisches Objektiv	Optisches Bild anzeigen.
8	Wärmebildobjektiv	Wärmebild anzeigen.
9	LED-Licht	Erhöht die Helligkeit in dunklen Umgebungen.
10	Schalter für Objektivschutz	Bringt den Objektivschutz an oder entfernt ihn.
11	Auslöser	<ul style="list-style-type: none">• Drücken Sie im Live-Ansicht-Bildschirm den Auslöser, um Fotos aufzunehmen.• Drücken Sie im Menümodus den Auslöser, um zur Live-Ansicht zurückzukehren.
12	Befestigung für ein Stativ	Befestigung für ein Stativ.
13	Befestigungsöse für die Handschlaufe	Zur Befestigung der Handschlaufe.
14	Type-C-Schnittstelle	Das Gerät wird über ein Typ-A-auf-Typ-C-

		USB-Kabel aufgeladen, über das auch Dateien exportiert werden können.
--	--	---

3. Gerät laden

Nachdem das Gerät hochgefahren ist, zeigt der Bildschirm den Akkustatus an. Wenn der Akku schwach ist, laden Sie das Gerät und vergewissern Sie sich, dass es ordnungsgemäß funktioniert.

Laden Sie das Gerät beim ersten Aufladen im eingeschalteten Zustand mindestens 8 Stunden lang auf.

Schritte

1. Öffnen Sie die Abdeckung des Typ-C-Anschlusses.
2. Schließen Sie das Typ-A-auf-Typ-C-USB-Kabel an und laden Sie das Gerät auf.

Benutzerhandbuch



Rechtliche Informationen

Hinweise zu dieser Bedienungsanleitung

Die Bedienungsanleitung enthält Anleitungen zur Verwendung und Verwaltung des Produkts. Bilder, Diagramme, Abbildungen und alle sonstigen Informationen dienen nur der Beschreibung und Erklärung. Die Änderung der in der Bedienungsanleitung enthaltenen Informationen ist aufgrund von Firmware-Aktualisierungen oder aus anderen Gründen vorbehalten. Die neueste Version dieses Handbuchs finden Sie auf der HIKMICRO-Website (www.hikmicrotech.com). Bitte verwenden Sie diese Bedienungsanleitung unter Anleitung und Unterstützung von Fachleuten, die für den Support des Produkts geschult sind.

Diese Betriebsanleitung gilt für die folgenden Modelle: HM-TP52N-3AQF-BX20, BX20, HM-TP5XY-ABCDEF, HM-TP5A-XY, HM-TP51N-3AQF, HM-TP53N-3AQF, HM-TP5XN-A, HM-TP5AB-XY, HM-TP5AB-XYZ, HM-TP5XY-AB, HM-TP5XY-A.

HAFTUNGSAUSSCHLUSS

DIESE BEDIENUNGSANLEITUNG UND DAS BESCHRIEBENE PRODUKT MIT SEINER HARDWARE, SOFTWARE UND FIRMWARE WERDEN, SOWEIT GESETZLICH ZULÄSSIG, IN DER „VORLIEGENDEN FORM“ UND MIT „ALLEN FEHLERN UND IRRTÜMERN“ BEREITGESTELLT.

HIKMICRO GIBT KEINE GARANTIEN, WEDER AUSDRÜCKLICH NOCH STILLSCHWEIGEND, EINSCHLIEßLICH, ABER OHNE DARAUF BESCHRÄNKT ZU SEIN, MARKTGÄNGIGKEIT, ZUFRIEDENSTELLENDEN QUALITÄT ODER EIGNUNG FÜR EINEN BESTIMMTEN ZWECK. DIE NUTZUNG DES PRODUKTS DURCH SIE ERFOLGT AUF IHRE EIGENE GEFAHR. IN KEINEM FALL IST HIKMICRO IHNEN GEGENÜBER HAFTBAR FÜR BESONDERE, ZUFÄLLIGE, DIREKTE ODER INDIREKTE SCHÄDEN, EINSCHLIEßLICH, ABER OHNE DARAUF BESCHRÄNKT ZU SEIN, VERLUST VON GESCHÄFTSGEWINNEN, GESCHÄFTSUNTERBRECHUNG, DATENVERLUST, SYSTEMBESCHÄDIGUNG, VERLUST VON DOKUMENTATIONEN, SEI ES AUFGRUND VON VERTRAGSBRUCH, UNERLAUBTER HANDLUNG (EINSCHLIEßLICH FAHRLÄSSIGKEIT), PRODUKTHAFTUNG ODER ANDERWEITIG, IN VERBINDUNG MIT DER VERWENDUNG DIESES PRODUKTS, SELBST WENN HIKMICRO ÜBER DIE MÖGLICHKEIT DERARTIGER SCHÄDEN ODER VERLUSTE INFORMIERT WAR. SIE ERKENNEN AN, DASS DIE NATUR DES INTERNETS DAMIT VERBUNDENE SICHERHEITSRISIKEN BEINHÄLTET. HIKMICRO ÜBERNIMMT KEINE VERANTWORTUNG FÜR ANORMALEN BETRIEB, DATENVERLUST ODER ANDERE SCHÄDEN, DIE SICH AUS CYBERANGRIFFEN, HACKERANGRIFFEN, VIRUSINFESTION ODER ANDEREN SICHERHEITSRISIKEN IM INTERNET ERGEBEN. HIKMICRO WIRD JEDOCH BEI BEDARF ZEITNAH TECHNISCHEM SUPPORT LEISTEN. SIE STIMMEN ZU, DIESES PRODUKT IN ÜBEREINSTIMMUNG MIT ALLEN GELTENDEN GESETZEN ZU VERWENDEN, UND SIE SIND ALLEIN DAFÜR VERANTWORTLICH, DASS IHRE VERWENDUNG GEGEN KEINE GELTENDEN GESETZE VERSTÖßT. INSBESONDERE SIND SIE DAFÜR VERANTWORTLICH, DIESES PRODUKT SO ZU VERWENDEN, DASS DIE RECHTE DRITTER NICHT VERLETZT WERDEN, EINSCHLIEßLICH, ABER NICHT BESCHRÄNKT AUF VERÖFFENTLICHUNGSRECHTE, DIE RECHTE AN GEISTIGEM EIGENTUM ODER DEN DATENSCHUTZ UND ANDERE PERSÖNLICHKEITSRECHTE. SIE DÜRFEN DIESES PRODUKT NICHT FÜR VERBOTENE ENDANWENDUNGEN VERWENDEN, EINSCHLIEßLICH DER ENTWICKLUNG ODER HERSTELLUNG VON MASSENVERNICHTUNGSWAFFEN, DER ENTWICKLUNG ODER HERSTELLUNG CHEMISCHER ODER BIOLOGISCHER WAFFEN, JEDLICHER AKTIVITÄTEN IM ZUSAMMENHANG MIT EINEM NUKLEAREN SPRENGKÖRPER ODER UNSICHEREN NUKLEAREN BRENNSTOFFKREISLAUF BZW. ZUR

UNTERSTÜTZUNG VON
MENSCHENRECHTSVERLETZUNGEN.
IM FALL VON WIDERSPRÜCHEN ZWISCHEN
DIESER BEDIENUNGSANLEITUNG UND
GELTENDEM RECHT IST LETZTERES
MASSGEBLICH.

Behördliche Informationen

Diese Bestimmungen gelten nur für Produkte, die das entsprechende Zeichen oder die entsprechenden Informationen tragen.

Erklärung zur EU-Konformität



Dieses Produkt und - falls zutreffend - auch das mitgelieferte Zubehör sind mit „CE“ gekennzeichnet und

entsprechen somit den geltenden harmonisierten europäischen Normen, die unter den Richtlinien 2014/30/EU (EMV) und 2011/65/EU (RoHS) aufgeführt sind.

Hinweis: Die Produkte mit einer Eingangsspannung von 50 - 1000 VAC oder 75 - 1500 VDC entsprechen der Richtlinie 2014/35/EU (NSR). Die übrigen Produkte entsprechen der Richtlinie 2001/95/EG (GPSD). Prüfen Sie bitte die entsprechenden Angaben zur Stromversorgung.

Verwenden Sie bei einem Gerät ohne mitgeliefertes Netzteil nur ein Netzteil von einem zugelassenen Hersteller. Detaillierte Angaben zum Strombedarf finden Sie in der Produktspezifikation.

Verwenden Sie bei einem Gerät ohne mitgelieferte Batterien nur Batterien/Akkus von einem zugelassenen Hersteller. Detaillierte Angaben zu den Batterie-/Akku-Anforderungen finden Sie in der Produktspezifikation.



Richtlinie 2012/19/EU (WEEE-Richtlinie): Produkte, die mit diesem Symbol gekennzeichnet sind, dürfen

innerhalb der Europäischen Union nicht mit dem Hausmüll entsorgt werden. Für korrektes Recycling geben Sie dieses Produkt an Ihren örtlichen Fachhändler zurück oder entsorgen Sie es an einer der Sammelstellen. Weitere Informationen finden Sie unter: www.recyclethis.info.



Richtlinie 2006/66/EG und ihre Änderung 2013/56/EU (batterierichtlinie): Dieses Produkt enthält einen Akku, der innerhalb der

Europäischen Union nicht mit dem Hausmüll entsorgt werden darf. Siehe Produktdokumentation für spezifische Hinweise zu Akkus oder Batterien. Der Akku ist

mit diesem Symbol gekennzeichnet, das zusätzlich die Buchstaben Cd für Cadmium, Pb für Blei oder Hg für Quecksilber enthalten kann. Für korrektes Recycling geben Sie die Akkus/Batterien an Ihren örtlichen Fachhändler zurück oder entsorgen Sie sie an einer der Sammelstellen. Weitere Informationen finden Sie unter: www.recyclethis.info.

Bestimmungsgemäßer Gebrauch der Kamera

ATEX: II 3 G Ex ic IIC T6 Gc
I 3 D Ex ic IIIC T85°C Dc

IECEX: Ex ic IIC T6 Gc
Ex ic IIIC T85°C Dc

IP-Schutzart: IP54

Normen zum Explosionsschutz:

IEC 60079-0:2017 IEC 60079-11:2011

Ex-Zertifikat:

TÜV 23 ATEX 8963 IECEX TUR 23.0015

Sonderbedingungen für die sichere Verwendung in gefährlichen Bereichen:

1. Namen, Ausführungen, Spezifikationen und Parameter der eigensicheren Stromkreise oder der zugehörigen Komponenten dürfen bei der Verwendung und Wartung des Geräts nicht verändert werden.
2. Trennen Sie das Gerät vor dem Zerlegen oder vor der Inbetriebnahme von der Stromversorgung. Betreiben Sie das Gerät nicht im eingeschalteten Zustand. Führen Sie die oben genannten Arbeiten nicht in einer Umgebung mit explosiven Gasen durch.
3. Das Gerät darf bei normalem Gebrauch, Wartung und Reinigung keine Entzündung durch elektrostatische Entladung auslösen. Wischen Sie das Gerät in einer Umgebung mit explosiven Gasen nicht ab. Wenn das Gerät ausgetauscht oder gereinigt werden soll, muss dies in einer Umgebung geschehen, die frei von explosiven Gasen ist.
4. Die Akkus dürfen in explosionsgefährdeten Bereichen nicht aufgeladen oder ausgewechselt werden.
5. Das Gerät ist vor Tageslicht oder dem Licht von Leuchten zu schützen.
6. Das Gerät sollte nur mit einem vom Hersteller speziell für dieses Gerät gelieferten Ladegerät aufgeladen werden, wenn Sie sich im Nicht-Gefahrenbereich befinden. Der Ladetemperaturbereich beträgt 0 °C bis 45 °C.
7. Der Akku des Geräts kann nicht vom Endbenutzer ausgetauscht werden.
8. Die Schnittstellenabdeckung muss den Typ-C-USB-Anschluss an gefährlichen Stellen abdecken.
9. Die Stoßfestigkeit wurde gemäß der geringen Gefahr einer mechanischen Beschädigung

getestet. Das Gerät muss vor starken Stößen geschützt sein.

INFORMATIONEN FÜR PRIVATE HAUSHALTE

1. Getrennte Erfassung von Altgeräten:

Elektro- und Elektronikgeräte, die zu Abfall geworden sind, werden als Altgeräte bezeichnet. Besitzer von Altgeräten haben diese einer vom unsortierten Siedlungsabfall getrennten Erfassung zuzuführen. Altgeräte gehören insbesondere nicht in den Hausmüll, sondern in spezielle Sammel- und Rückgabesysteme.

2. Batterien und Akkus sowie Lampen:

Besitzer von Altgeräten haben Altbatterien und Altakkumulatoren, die nicht vom Altgerät umschlossen sind, die zerstörungsfrei aus dem Altgerät entnommen werden können, im Regelfall vor der Abgabe an einer Erfassungsstelle vom Altgerät zu trennen. Dies gilt nicht, soweit Altgeräte einer Vorbereitung zur Wiederverwendung unter Beteiligung eines öffentlich-rechtlichen Entsorgungsträgers zugeführt werden.

3. Möglichkeiten der Rückgabe von Altgeräten:

Besitzer von Altgeräten aus privaten Haushalten können diese bei den Sammelstellen der öffentlich-rechtlichen Entsorgungsträger oder bei den von Herstellern oder Vertreibern im Sinne des ElektroG eingerichteten Rücknahmestellen unentgeltlich abgeben. Rücknahmepflichtig sind Geschäfte mit einer Verkaufsfläche von mindestens 400 m² für Elektro- und Elektronikgeräte sowie diejenigen Lebensmittelgeschäfte mit einer Gesamtverkaufsfläche von mindestens 800 m², die mehrmals pro Jahr oder dauerhaft Elektro- und Elektronikgeräte anbieten und auf dem Markt bereitstellen. Dies gilt auch bei Vertrieb unter Verwendung von Fernkommunikationsmitteln, wenn die Lager- und Versandflächen für Elektro- und Elektronikgeräte mindestens 400 m² betragen oder die gesamten Lager- und Versandflächen mindestens 800 m² betragen. Vertreter haben die Rücknahme grundsätzlich durch geeignete Rückgabemöglichkeiten in zumutbarer Entfernung zum jeweiligen Endnutzer zu gewährleisten. Die Möglichkeit der unentgeltlichen Rückgabe eines Altgerätes besteht bei rücknahmepflichtigen Vertreibern unter anderem dann, wenn ein neues gleichartiges Gerät, das im Wesentlichen die gleichen Funktionen erfüllt, an einen Endnutzer abgegeben wird.

4. Datenschutz-Hinweis:

Altgeräte enthalten häufig sensible personenbezogene Daten. Dies gilt insbesondere für Geräte der Informations- und Telekommunikationstechnik wie Computer und

Smartphones. Bitte beachten Sie in Ihrem eigenen Interesse, dass für die Löschung der Daten auf den zu entsorgenden Altgeräten jeder Endnutzer selbst verantwortlich ist.

5. Bedeutung des Symbols „durchgestrichene Mülltonne“:



Das auf Elektro- und Elektronikgeräten regelmäßig abgebildete Symbol einer durchgestrichenen Mülltonne weist darauf hin, dass das jeweilige Gerät am Ende seiner Lebensdauer getrennt vom unsortierten Siedlungsabfall zu erfassen ist.

Sicherheitshinweis

Diese Anleitungen sollen gewährleisten, dass Sie das Produkt korrekt verwenden, um Gefahren oder Sachschäden zu vermeiden.

Gesetze und Vorschriften

- Die Verwendung des Produkts muss in strikter Übereinstimmung mit den örtlichen Vorschriften zur elektrischen Sicherheit erfolgen.

Transportwesen

- Bewahren Sie das Gerät beim Transport in der ursprünglichen oder einer vergleichbaren Verpackung auf.
- Bewahren Sie das gesamte Verpackungsmaterial nach dem Auspacken für zukünftigen Gebrauch auf. Im Falle eines Fehlers müssen Sie das Gerät in der Originalverpackung an das Werk zurücksenden. Beim Transport ohne Originalverpackung kann das Gerät beschädigt werden und wir übernehmen keine Verantwortung.
- Lassen Sie das Produkt nicht fallen und vermeiden Sie heftige Stöße. Halten Sie das Gerät von magnetischen Störungen fern.

Spannungsversorgung

- Die Eingangsspannung muss einer Stromquelle mit begrenzter Leistung (3,7 V DC, 0,5 A) gemäß der Norm IEC 61010-1 entsprechen. Siehe technische Daten für detaillierte Informationen.
- Stellen Sie sicher, dass der Stecker richtig in der Steckdose steckt.
- Verbinden Sie NICHT mehrere Geräte mit einem Netzteil, da es andernfalls durch Überlastung zu einer Überhitzung oder einem Brand kommen kann.
- Verwenden Sie das von einem zugelassenen Hersteller mitgelieferte Netzteil. Detaillierte Angaben zum Strombedarf finden Sie in der Produktspezifikation.

Akku

- Der integrierte Akku darf nicht demontiert werden. Wenden Sie sich gegebenenfalls zur Reparatur an den Hersteller. Der Akku kann explodieren, wenn er durch einen falschen Typ ersetzt wird. Tauschen Sie stets gegen den gleichen oder äquivalenten Typ aus. Entsorgen Sie verbrauchte Akkus entsprechend den Anweisungen des Akkuherstellers.
- Verwenden Sie nur einen von einem qualifizierten Hersteller gelieferten Akku. Detaillierte Angaben zu den Batterie-/Akku-Anforderungen finden Sie in der Produktspezifikation.
- Achten Sie bei langfristiger Lagerung des Akkus darauf, dass er alle sechs Monate vollständig geladen wird, um seine Lebensdauer zu gewährleisten. Anderenfalls kann es zu Schäden kommen.
- Stellen Sie sicher, dass der Stecker richtig in der Steckdose steckt.
- Wenn das Gerät ausgeschaltet und der RTC-Akku voll ist, können die Zeiteinstellungen 4 Monate gespeichert werden.
- Laden Sie die Lithium-Batterie vor dem ersten Gebrauch mindestens 8 Stunden lang auf.

Wartung

- Falls das Produkt nicht einwandfrei funktionieren sollte, wenden Sie sich an Ihren Händler oder den nächstgelegenen Kundendienst. Wir übernehmen keine Haftung für Probleme, die durch nicht Reparatur- oder Instandhaltungsarbeiten von nicht autorisierten Dritten verursacht werden.
- Wischen Sie das Gerät bei Bedarf sanft mit einem sauberen Tuch und einer geringen Menge Ethanol ab.
- Wenn das Gerät nicht vom Hersteller vorgegebenem Sinne genutzt wird, kann der durch das Gerät bereitgestellte Schutz beeinträchtigt werden.
- Ihre Kamera führt in regelmäßigen Abständen eine Selbstkalibrierung durch, um Bildqualität und Messgenauigkeit zu optimieren. Bei diesem Vorgang wird stoppt das Bild kurz und Sie hören einen „Klickton“, wenn sich ein Verschluss vor dem Detektor bewegt. Die Selbstkalibrierung erfolgt häufiger während des Einschaltens bzw. in sehr kalten oder heißen Umgebungen. Dies ist ein normaler Vorgang, um die optimale Leistung Ihrer Kamera zu erzielen.

Kalibrierungsdienst

- Wir empfehlen Ihnen, das Gerät einmal im Jahr zur Kalibrierung einzusenden. Wenden Sie sich

bitte an Ihren Händler vor Ort, um Informationen zu den Wartungspunkten zu erhalten. Für weitere Einzelheiten zu den Kalibrierungsservices besuchen Sie bitte <https://www.hikmicrotech.com/de/support/calibration-service.html>.

Einsatzumgebung

- Achten Sie darauf, dass die Betriebsumgebung den Anforderungen des Geräts entspricht. Die Betriebstemperatur beträgt -20 °C bis 40 °C (-4 °F bis 104 °F), die Luftfeuchtigkeit liegt bei 95 % oder weniger.
- Stellen Sie das Gerät an einem kühlen und gut belüfteten Ort auf.
- Setzen Sie das Gerät KEINER hohen elektromagnetischen Strahlung oder staubigen Umgebungen aus.
- Richten Sie das Objektiv NICHT auf die Sonne oder eine andere helle Lichtquelle.
- Achten Sie bei Verwendung eines Lasergeräts darauf, dass das Objektiv des Geräts nicht dem Laserstrahl ausgesetzt wird. Andernfalls könnte es durchbrennen.

Technischer Support

<https://www.hikmicrotech.com/en/contact-us.html> hilft Ihnen als HIKMICRO-Kunde, Ihre HIKMICRO-Produkte optimal zu nutzen. Über dieses Portal haben Sie Zugang zu unserem Support-Team, zu Software und Dokumentation, zu Servicekontakten usw.

Notruf

Sollten sich Rauch, Gerüche oder Geräusche in dem Gerät entwickeln, so schalten Sie es unverzüglich aus und ziehen Sie den Netzstecker. Wenden Sie sich dann an den Kundendienst.

Anschrift des Herstellers

Raum 313, Einheit B, Gebäude 2, 399 Danfeng-Straße, Gemarkung Xixing, Stadtbezirk Binjiang, Hangzhou, Zhejiang 310052, China
Hangzhou Microimage Software Co., Ltd.

RECHTLICHER HINWEIS: Die Produkte der Wärmebildkamera-Serie unterliegen unter Umständen in verschiedenen Ländern oder Regionen Exportkontrollen, wie zum Beispiel in den Vereinigten Staaten, der Europäischen Union, dem Vereinigten Königreich und/oder anderen Mitgliedsländern des Wassenaar-Abkommens. Bitte informieren Sie sich bei Ihrem Rechtsexperten oder bei den örtlichen Behörden über die erforderlichen Exportlizenzen, wenn Sie beabsichtigen, die Produkte der Wärmebildkamera-Serie in verschiedene Länder zu transferieren, zu exportieren oder zu reexportieren.

1. Brève description

La caméra thermographique portable, dotée d'une coque en plastique, est principalement utilisée dans un environnement de gaz explosif autre que le méthane.

2. Apparence (Page 1)

L'aspect de l'appareil varie en fonction des différents modèles. Veuillez vous référer au produit réel.

Boutons et interfaces

N°	Description	Fonction
1	Écran	Affiche la vue en direct.
2	Indicateur de chargement	<ul style="list-style-type: none"> ● Rouge fixe : chargement normal. ● Vert fixe : charge terminée.
3	Touche Alimentation	<ul style="list-style-type: none"> ● Appuyer : afficher le menu ou confirmer l'opération. ● Maintenir enfoncé : Allumer/éteindre.
4	Touche Retour	Permet de sortir du menu ou de revenir au menu précédent.
5	Avertisseur	Émettre une alarme sonore.
6	Touche de navigation	Appuyer pour sélectionner les paramètres.
7	Objectif optique	Observer l'image optique.
8	Objectif thermique	Observer l'image thermique.
9	Éclairage LED	Augmente la luminosité ambiante dans un environnement sombre.
10	Commutateur de protection d'objectif	Monter ou démonter le cache de l'objectif.
11	Gâchette	<ul style="list-style-type: none"> ● Dans l'interface d'affichage en direct, appuyez sur la gâchette pour capturer des instantanés. ● En mode menu, appuyez sur la gâchette pour revenir à la vue en direct.
12	Fixation pour trépied	Permet de monter un trépied.

13	Point de fixation de la dragonne	Monter la dragonne.
14	Interface de type C	Rechargez l'appareil ou exportez des fichiers à l'aide d'un câble USB type A à type C.

3. Charger l'appareil

Après le démarrage de l'appareil, l'affichage à l'écran indique l'état de la batterie. Lorsque la batterie est faible, chargez l'appareil et assurez-vous qu'il fonctionne correctement.

À la première charge, chargez l'appareil pendant plus de 8 h en le laissant allumé.

Procédure

1. Soulevez le cache du connecteur Type-C.
2. Branchez le câble USB type A à type C et rechargez l'appareil.

Manuel d'utilisation



Informations légales

À propos de ce manuel

Ce manuel fournit des instructions d'utilisation et de gestion du produit. Les images, les tableaux, les figures et toutes les autres informations ci-après ne sont donnés qu'à titre de description et d'explication. Les informations contenues dans ce manuel sont modifiables sans préavis, en raison d'une mise à jour d'un micrologiciel ou pour d'autres raisons. Veuillez trouver la dernière version de ce manuel sur le site Internet de HIKMICRO (www.hikmicrotech.com).

Utilisez ce mode d'emploi avec les conseils et l'assistance de professionnels spécialement formés dans la prise en charge de ce produit.

Ce manuel s'applique aux modèles suivants : HM-TP52N-3AQF-BX20, BX20, HM-TP5XY-ABCDE, HM-TP5A-XY, HM-TP51N-3AQF, HM-TP53N-3AQF, HM-TP5XN-A, HM-TP5AB-XY, HM-TP5AB-XYZ, HM-TP5XY-AB, HM-TP5XY-A.

MENTIONS LÉGALES

DANS LES LIMITES AUTORISÉES PAR LA LOI EN VIGUEUR, LE PRÉSENT MANUEL ET LE PRODUIT DÉCRIT, AINSI QUE SON MATÉRIEL, SES LOGICIELS ET SES MICROLOGICIELS, SONT FOURNIS « EN L'ÉTAT » ET « AVEC CES FAIBLESSES ET ERREURS ». HIKMICRO NE FAIT AUCUNE GARANTIE, EXPLICITE OU IMPLICITE, Y

COMPRIS, MAIS SANS S'Y LIMITER, DE QUALITÉ MARCHANDE, DE QUALITÉ SATISFAISANTE, OU D'ADÉQUATION À UN USAGE PARTICULIER. VOUS UTILISEZ LE PRODUIT À VOS PROPRES RISQUES. EN AUCUN CAS, HIKMICRO NE SERA TENU RESPONSABLE DE TOUT DOMMAGE SPÉCIAL, CONSÉCUTIF, ACCESSOIRE OU INDIRECT, Y COMPRIS, ENTRE AUTRES, LES DOMMAGES RELATIFS À LA PERTE DE PROFITS D'ENTREPRISE, À L'INTERRUPTION D'ACTIVITÉS COMMERCIALES, OU LA PERTE DES DONNÉES, LA CORRUPTION DES SYSTÈMES, OU LA PERTE DES DOCUMENTS, S'ILS SONT BASÉS SUR UNE VIOLATION DE CONTRAT, UNE FAUTE (Y COMPRIS LA NÉGLIGENCE), LA RESPONSABILITÉ EN MATIÈRE DE PRODUITS, OU AUTRE, EN RAPPORT AVEC L'UTILISATION DU PRODUIT, MÊME SI HIKMICRO A ÉTÉ INFORMÉ DE LA POSSIBILITÉ D'UN TEL DOMMAGE OU D'UNE TELLE PERTE.

VOUS RECONNAISSEZ QUE LA NATURE D'INTERNET EST SOURCE DE RISQUES DE SÉCURITÉ INHÉRENTS, ET HIKMICRO SE DÉGAGE DE TOUTE RESPONSABILITÉ EN CAS DE FONCTIONNEMENT ANORMAL, DIVULGATION D'INFORMATIONS CONFIDENTIELLES OU AUTRES DOMMAGES DÉCOULANT D'UNE CYBERATTAQUE, D'UN PIRATAGE INFORMATIQUE, D'UNE INFECTION PAR DES VIRUS, OU AUTRES RISQUES DE SÉCURITÉ LIÉS À INTERNET ; TOUTEFOIS, HIKMICRO FOURNIRA UNE ASSISTANCE TECHNIQUE DANS LES DÉLAIS SI NÉCESSAIRE.

VOUS ACCEPTEZ D'UTILISER CE PRODUIT CONFORMÉMENT À L'ENSEMBLE DES LOIS EN VIGUEUR. IL EST DE VOTRE RESPONSABILITÉ EXCLUSIVE DE VEILLER À CE QUE VOTRE UTILISATION SOIT CONFORME À LA LOI APPLICABLE. IL VOUS APPARTIENT SURTOUT D'UTILISER CE PRODUIT D'UNE MANIÈRE QUI NE PORTE PAS ATTEINTE AUX DROITS DE TIERS, Y COMPRIS, MAIS SANS S'Y LIMITER, LES DROITS DE PUBLICITÉ, LES DROITS DE PROPRIÉTÉ INTELLECTUELLE, OU LA PROTECTION DES DONNÉES ET D'AUTRES DROITS À LA VIE PRIVÉE. VOUS NE DEVEZ PAS UTILISER CE PRODUIT POUR TOUTE UTILISATION FINALE INTERDITE, NOTAMMENT LA MISE AU POINT OU LA PRODUCTION D'ARMES DE DESTRUCTION MASSIVE, LA MISE AU POINT OU LA FABRICATION D'ARMES CHIMIQUES OU BIOLOGIQUES, LES ACTIVITÉS DANS LE CONTEXTE LIÉ AUX EXPLOSIFS NUCLÉAIRES OU AU CYCLE DU COMBUSTIBLE NUCLÉAIRE DANGEREUX, OU SOUTENANT LES VIOLATIONS DES DROITS DE L'HOMME.

EN CAS DE CONFLIT ENTRE CE MANUEL ET LES LOIS EN VIGUEUR, CES DERNIÈRES PRÉVALENT.

Réglementation

Ces clauses ne s'appliquent qu'aux produits portant la marque ou l'information correspondante.

Déclaration de conformité UE



Ce produit et - le cas échéant - les accessoires fournis portent le marquage « CE » et sont donc

conformes aux normes européennes harmonisées applicables répertoriées dans la Directive 2014/30/UE (directive sur la compatibilité électromagnétique) et la Directive 2011/65/UE (RoHS).

Remarque : Les produits dont la tension d'entrée est comprise entre 50 et 1 000 V CA ou 75 et 1 500 V CC sont conformes à la directive 2014/35/UE (LVD), et les autres produits sont conformes à la directive 2001/95/CE (GPSD). Veuillez examiner les informations d'alimentation spécifiques à des fins de référence.

Pour les appareils sans adaptateur d'alimentation offert, utilisez l'adaptateur d'alimentation fourni par un fabricant qualifié. Reportez-vous aux spécifications du produit pour les dispositions nécessaires et détaillées en matière d'alimentation.

Pour les appareils sans batterie offerte, utilisez la batterie fournie par un fabricant qualifié. Reportez-vous aux spécifications du produit pour les détails concernant la pile.



Directive 2012/19/UE (directive DEEE) : dans l'Union européenne, les produits portant ce pictogramme ne doivent pas être déposés dans une décharge municipale où le tri des déchets n'est pas pratiqué. Pour un recyclage adéquat, remettez ce produit à votre revendeur lors de l'achat d'un nouvel équipement équivalent, ou déposez-le dans un lieu de collecte prévu à cet effet. Pour de plus amples informations, visitez le site Web : www.recyclethis.info



Directive 2006/66/CE et son amendement 2013/56/UE (directive sur les batteries) : ce produit renferme une pile qui ne doit pas être déposée dans une décharge municipale où le tri des déchets n'est pas pratiqué, dans l'Union européenne. Pour plus de précisions sur la pile, reportez-vous à sa documentation. La pile porte le pictogramme ci-contre, qui peut inclure la mention Cd (cadmium), Pb (plomb) ou Hg (mercure). Pour la recycler correctement, renvoyez-la à votre revendeur ou déposez-la

dans un point de collecte prévu à cet effet. Pour de plus amples informations, visitez le site Web : www.recyclethis.info.

Utilisation prévue de la caméra

ATEX : II 3 G Ex ic IIC T6 Gc
II 3 D Ex ic IIIC T85°C Dc

IECEX : Ex ic IIC T6 Gc
Ex ic IIIC T85°C Dc

Indice de protection IP : IP54

Normes Ex :

CEI 60079-0:2017 CEI 60079-11:2011

Certificat Ex :

TÜV 23 ATEX 8963 IECEX TUR 23.0015

Conditions spéciales pour une utilisation en toute sécurité dans les zones dangereuses :

1. Il est interdit de modifier les noms, les modèles, les spécifications et les paramètres des circuits de sécurité intrinsèque ou des composants connexes lors de l'utilisation et de l'entretien de l'appareil.
2. Lors du démontage ou de l'utilisation de l'appareil, veillez à déconnecter l'alimentation électrique et à ne pas le faire fonctionner lorsqu'il est sous tension. N'effectuez pas les opérations susmentionnées si l'appareil se trouve dans un environnement de gaz explosifs.
3. L'appareil doit être protégé contre les décharges électrostatiques lors de son utilisation normale, de son entretien et de son nettoyage. Ne l'essuyez pas dans un environnement de gaz explosif. Si le remplacement ou le nettoyage de l'appareil s'avère nécessaire, il doit être effectué dans un environnement sans gaz explosif.
4. Il est interdit de charger ou de remplacer la batterie de l'appareil dans les zones dangereuses.
5. L'appareil doit être protégé de l'exposition à la lumière du jour ou à la lumière des luminaires.
6. L'appareil ne doit être rechargé que lorsqu'il se trouve dans une zone non dangereuse, à l'aide d'un chargeur spécifiquement fourni par le fabricant pour être utilisé avec l'appareil. La plage de température de charge est comprise entre 0 °C et 45 °C.
7. Il est interdit aux utilisateurs finaux de remplacer la batterie de l'appareil.
8. Le couvercle de l'interface doit bloquer le port USB de type C dans les endroits dangereux.
9. La résistance aux chocs a été testée, indiquant un faible risque de danger mécanique. L'appareil doit être protégé contre les chocs violents.

Consignes de sécurité

L'objectif de ces instructions est de garantir que l'utilisateur soit en mesure d'utiliser correctement le produit sans danger ou dommage aux biens.

Lois et réglementations

- L'appareil doit être strictement utilisé conformément à la réglementation locale en matière de sécurité électrique.

Transport

- Gardez l'appareil dans son emballage d'origine ou dans un emballage similaire lors de son transport.
- Veuillez conserver l'emballage de l'appareil pour toute utilisation ultérieure. En cas de panne, vous devrez renvoyer l'appareil à l'usine dans son emballage d'origine. Le transport de l'appareil sans son emballage d'origine peut l'endommager, et l'entreprise se dégage de toute responsabilité dans ce cas.
- Ne pas faire tomber le produit ou le soumettre à un choc physique. Éloigner l'appareil d'interférences magnétiques.

Alimentation électrique

- La tension d'entrée doit être conforme à celle d'une Source d'alimentation limitée (3,7 VCC, 0,5 A) selon la norme CEI 61010-1. Veuillez vous référer aux caractéristiques techniques pour des informations détaillées.
- Vérifiez que la prise est correctement branchée à la prise électrique.
- Pour éviter tout risque de surchauffe ou d'incendie dû à une surcharge, ne reliez PAS plusieurs appareils à un seul adaptateur d'alimentation.
- Utilisez l'adaptateur d'alimentation fourni par un fabricant qualifié. Reportez-vous aux spécifications du produit pour les dispositions nécessaires et détaillées en matière d'alimentation.

Batterie

- La batterie intégrée ne peut pas être démontée. Veuillez contacter le fabricant pour réparation si nécessaire. Le remplacement de la batterie par une batterie de type incorrect pose un risque d'explosion. Remplacez-les uniquement par une pile/des batteries identiques ou de type équivalent. Éliminez les piles/batteries usées conformément aux instructions fournies par leur fabricant.
- Utilisez une batterie fournie par un fabricant qualifié. Reportez-vous aux spécifications du produit pour les détails concernant la pile.
- En cas de stockage à long terme de la pile, assurez-vous qu'elle est complètement chargée tous les six mois afin d'en conserver la qualité. Dans le cas contraire, elle pourrait se détériorer.

- Vérifiez que la prise est correctement branchée à la prise électrique.
- Lorsque l'appareil est éteint et que la batterie RTC est complètement chargée, les réglages de l'heure peuvent être conservés pendant 4 mois.
- Avant la première utilisation, chargez la batterie au lithium pendant plus de 8 heures.

Maintenance

- Si le produit ne fonctionne pas correctement, contactez votre revendeur ou le centre de service le plus proche. Nous n'assumerons aucune responsabilité concernant les problèmes causés par une réparation ou une opération de maintenance non autorisée.
- Essuyez délicatement l'appareil à l'aide d'un chiffon propre imbibé d'une petite quantité d'éthanol, si nécessaire.
- Si l'appareil n'est pas utilisé conformément aux indications du fabricant, le dispositif de protection fourni par l'appareil peut être compromis.
- Votre caméra effectue automatiquement et régulièrement un étalonnage pour optimiser la qualité des images et la précision des mesures. Pendant cette opération, l'image s'interrompt brièvement et vous entendez un déclic lorsque l'obturateur s'ouvre devant le détecteur. L'étalonnage automatique est plus fréquent au démarrage ou dans des environnements très froids ou chauds. Ce comportement est normal et permet de garantir des performances optimales de votre caméra.

Services d'étalonnage

- Nous vous recommandons de renvoyer l'appareil pour étalonnage une fois par an. Veuillez également contacter le revendeur local pour obtenir des informations sur les points d'entretien. Pour plus de détails sur les services d'étalonnage, veuillez consulter <https://www.hikmicrotech.com/en/support/calibration-service.html>.

Environnement d'exploitation

- Assurez-vous que l'environnement d'exploitation répond aux exigences de l'appareil. La température de fonctionnement doit être comprise entre -20 °C et 40 °C et l'humidité doit être inférieure ou égale à 95 %.
- Placez l'appareil dans un endroit sec et bien aéré.
- N'exposez PAS l'appareil à de puissants rayonnements électromagnétiques ou à des environnements poussiéreux.
- N'orientez PAS l'objectif vers le soleil ou toute autre source de lumière vive.

- Pendant l'utilisation de tout équipement générant un laser, veillez à ce que l'objectif de l'appareil ne soit pas exposé au faisceau laser, car il pourrait brûler.

Assistance technique

Le portail

<https://www.hikmicrotech.com/en/contact-us.html> vous aidera en tant que client HIKMICRO à tirer le meilleur de vos produits HIKMICRO.

Depuis le portail, accédez à notre équipe d'assistance, à des logiciels et de la documentation, à des contacts en rapport avec le support, etc.

Urgence

Si de la fumée, des odeurs ou du bruit s'échappent de l'appareil, mettez immédiatement l'appareil hors tension et débranchez le câble d'alimentation, puis contactez un centre de réparation.

Adresse de fabrication

Logement 313, Unité B, Bâtiment 2, 399 Danfeng Road, Sous-district de Xixing, District de Binjiang, Hangzhou, Zhejiang 310052, Chine
Hangzhou Microimage Software Co., Ltd.

AVIS DE CONFORMITÉ : il est possible que les produits de la série thermique soient soumis à des contrôles d'exportation dans divers pays ou diverses régions, ce qui inclut, sans s'y limiter, les États-Unis, l'Union européenne, le Royaume-Uni ou d'autres pays membres de l'Arrangement de Wassenaar. Veuillez consulter votre expert professionnel en questions juridiques ou en conformité ou les autorités de votre gouvernement local pour toute exigence de permis d'exportation si vous prévoyez de transférer, d'exporter ou de réexporter des produits de la série thermique entre différents pays.

Español

1. Descripción breve

La cámara portátil de análisis termográfico con carcasa de plástico se utiliza principalmente en entornos con gases explosivos distintos del gas metano.

2. Apariencia (página 1)

El aspecto del dispositivo puede variar en función del modelo. Seleccione el tipo del producto real como referencia.

Botones e interfaces

Núm.	Descripción	Función
1	Pantalla	Visualización en directo.

2	Indicador de carga	<ul style="list-style-type: none"> ● Rojo fijo: Carga normal. ● Verde fijo: carga completa.
3	Botón de encendido	<ul style="list-style-type: none"> ● Pulsar brevemente: mostrar menú o confirmar. ● Mantener pulsado: Encendido/apagado.
4	Botón Atrás	Salte del menú o regresa al menú anterior.
5	Timbre	Emite alarmas sonoras.
6	Botón de navegación	Pulse para seleccionar los parámetros.
7	Lente óptica	Ver la imagen óptica.
8	Lente térmica	Ver la imagen térmica.
9	Luz led	Aumenta la luminosidad en entornos oscuros.
10	Interruptor de protección de la lente	Permite montar o desmontar el protector de la lente.
11	Activador	<ul style="list-style-type: none"> ● En la interfaz de vista en directo, apriete el gatillo para capturar instantáneas. ● En el modo de menú, apriete el gatillo para volver a la vista en directo.
12	Soporte para trípode	Coloque el trípode.
13	Punto de fijación de la correa de muñeca	Monte la correa de muñeca.
14	Interfaz de tipo C	Utilice el cable USB de tipo A a tipo C para cargar el dispositivo o exportar archivos.

3. Cargar el dispositivo

Después de encender el dispositivo, la OSD (visualización en pantalla) muestra el estado de la batería. Cuando el nivel de batería sea bajo, cargue el dispositivo y compruebe que funcione correctamente.

La primera carga se debe realizar durante más de 8 horas con el dispositivo encendido.

Pasos

1. Levante la tapa del puerto USB tipo C.
2. Conecte el cable USB de tipo A a tipo C y cargue el dispositivo.

Manual de usuario



Información legal

Sobre este manual

Este manual incluye las instrucciones de utilización y gestión del producto. Las figuras, gráficos, imágenes y cualquier otra información que encontrará en lo sucesivo tienen únicamente fines descriptivos y aclaratorios. La información incluida en el manual está sujeta a cambios, sin aviso previo, debido a las actualizaciones de software u otros motivos. Visite el sitio web de HIKMICRO (www.hikmicrotech.com) para encontrar la última versión de este manual. Utilice este manual con la guía y asistencia de profesionales capacitados en el soporte del producto.

Este manual es aplicable a los siguientes modelos: HM-TP52N-3AQF-BX20, BX20, HM-TP5XY-ABCDEF, HM-TP5A-XY, HM-TP51N-3AQF, HM-TP53N-3AQF, HM-TP5XN-A, HM-TP5AB-XY, HM-TP5AB-XYZ, HM-TP5XY-AB, HM-TP5XY-A.

AVISOS LEGALES

EN LA MEDIDA MÁXIMA PERMITIDA POR LAS LEYES APLICABLES, ESTE MANUAL Y EL PRODUCTO DESCRITO –INCLUIDOS SU HARDWARE, SOFTWARE Y FIRMWARE– SE SUMINISTRAN «TAL CUAL» Y «CON TODOS SU FALLOS Y ERRORES». HIKMICRO NO OFRECE GARANTÍAS, EXPLÍCITAS O IMPLÍCITAS, INCLUIDAS, A MODO MERAMENTE ENUNCIATIVO MAS NO LIMITATIVO, AQUELLAS DE COMERCIABILIDAD, CALIDAD SATISFACTORIA O IDONEIDAD PARA UN PROPÓSITO EN PARTICULAR. EL USO QUE HAGA DEL PRODUCTO CORRE BAJO SU ÚNICO RIESGO. EN NINGÚN CASO, HIKMICRO PODRÁ CONSIDERARSE RESPONSABLE ANTE USTED DE NINGÚN DAÑO ESPECIAL, CONSECUENTE, INCIDENTAL O INDIRECTO, INCLUYENDO, ENTRE OTROS, DAÑOS POR PÉRDIDAS DE BENEFICIOS COMERCIALES, INTERRUPCIÓN DE LA ACTIVIDAD COMERCIAL, PÉRDIDA DE DATOS, CORRUPCIÓN DE LOS SISTEMAS O PÉRDIDA DE DOCUMENTACIÓN, YA SEA POR INCUMPLIMIENTO DEL CONTRATO, AGRAVIO (INCLUYENDO NEGLIGENCIA), RESPONSABILIDAD DEL PRODUCTO O EN RELACIÓN CON EL USO DEL PRODUCTO, INCLUSO CUANDO HIKMICRO HAYA RECIBIDO UNA NOTIFICACIÓN DE LA POSIBILIDAD DE DICHOS DAÑOS O PÉRDIDAS.

USTED RECONOCE QUE LA NATURALEZA DE INTERNET IMPLICA RIESGOS DE SEGURIDAD INHERENTES Y QUE HIKMICRO NO TENDRÁ NINGUNA RESPONSABILIDAD POR NINGÚN FUNCIONAMIENTO ANORMAL, FILTRACIONES DE PRIVACIDAD U OTROS DAÑOS RESULTANTES DE ATAQUES CIBERNÉTICOS, ATAQUES DE PIRATAS INFORMÁTICOS, INFECCIONES DE VIRUS U OTROS RIESGOS DE SEGURIDAD PROPIOS DE INTERNET; NO OBSTANTE, HIKMICRO PROPORCIONARÁ EL APOYO TÉCNICO OPORTUNO DE SER NECESARIO.

USTED ACEPTA USAR ESTE PRODUCTO DE CONFORMIDAD CON TODAS LAS LEYES APLICABLES Y SOLO USTED ES EL ÚNICO RESPONSABLE DE ASEGURAR QUE EL USO CUMPLA CON DICHAS LEYES. EN ESPECIAL, USTED ES RESPONSABLE DE USAR ESTE PRODUCTO DE FORMA QUE NO INFRINJA LOS DERECHOS DE TERCEROS, INCLUYENDO, A MODO ENUNCIATIVO, DERECHOS DE PUBLICIDAD, DERECHOS DE PROPIEDAD INTELECTUAL, DERECHOS RELATIVOS A LA PROTECCIÓN DE DATOS Y OTROS DERECHOS RELATIVOS A LA PRIVACIDAD. NO UTILIZARÁ ESTE PRODUCTO PARA NINGÚN USO FINAL PROHIBIDO, INCLUYENDO EL DESARROLLO O LA PRODUCCIÓN DE ARMAS DE DESTRUCCIÓN MASIVA, EL DESARROLLO O PRODUCCIÓN DE ARMAS QUÍMICAS O BIOLÓGICAS, NINGUNA ACTIVIDAD EN EL CONTEXTO RELACIONADO CON ALGÚN EXPLOSIVO NUCLEAR O EL CICLO DE COMBUSTIBLE NUCLEAR INSEGURO O EN APOYO DE ABUSOS DE LOS DERECHOS HUMANOS.

EN CASO DE HABER CONFLICTO ENTRE ESTE MANUAL Y LA LEGISLACIÓN VIGENTE, ESTA ÚLTIMA PREVALECE.

Información normativa

Estas cláusulas solo se aplican a los productos que lleven la marca o la información correspondiente.

Declaración de cumplimiento de la UE



Este producto y, cuando corresponda, los accesorios incluidos también tienen la marca "CE" y por tanto cumplen los estándares europeos armonizados enumerados bajo la directiva 2014/30/UE (CEM) y la directiva 2011/65/UE (RoHS).

Nota: Los productos con una tensión de entrada de 50 a 1000 VCA o de 75 a 1500 VCC cumplen con la directiva 2014/35/UE (LVD), y el resto de productos cumplen con la directiva 2001/95/CE (GPSD). Consulte la información de alimentación eléctrica específica como referencia.

En el caso de los dispositivos suministrados sin adaptador de corriente, utilice un adaptador de corriente de un fabricante cualificado. Consulte las especificaciones técnicas del producto para conocer los requisitos eléctricos detallados.

En el caso de los dispositivos suministrados sin batería, utilice una batería de un fabricante cualificado. Consulte las especificaciones técnicas del producto para conocer los requisitos detallados de la batería.



Directiva 2012/19/UE (directiva RAEE): En la Unión Europea, los productos marcados con este



símbolo no pueden ser desechados en el sistema de basura municipal sin recogida selectiva. Para un reciclaje adecuado, entregue este producto en el lugar de compra del equipo nuevo equivalente o deshágase de él en el punto de recogida designado a tal efecto. Para más información visite: www.recyclethis.info



Directiva 2006/66/CE y su enmienda 2013/56/UE (directiva sobre baterías): Este producto lleva una batería que no puede ser desechada

en el sistema municipal de basuras sin recogida selectiva dentro de la Unión Europea. Consulte la documentación del producto para ver la información específica de la batería. La batería lleva marcado este símbolo, que incluye unas letras indicando si contiene cadmio (Cd), plomo (Pb), o mercurio (Hg). Para un reciclaje adecuado, entregue la batería a su vendedor o llévela al punto de recogida de basuras designado a tal efecto. Para más información visite: www.recyclethis.info.

Uso previsto de la cámara

ATEX: II 3 G Ex ic IIC T6 Gc
II 3 D Ex ic IIIC T85 °C Dc

IECEx: Ex ic IIC T6 Gc
Ex ic IIIC T85 °C Dc

Grado de protección IP: IP54

Normas Ex:

IEC 60079-0:2017 IEC 60079-11:2011

Certificado Ex:

TÜV 23 ATEX 8963 IECEx TUR 23.0015

Condiciones especiales para un uso seguro en la zona peligrosa:

1. Queda prohibido cambiar los nombres, modelos, especificaciones y parámetros de los circuitos de seguridad intrínseca o componentes relacionados durante el uso y mantenimiento del dispositivo.
2. Al desmontar o poner en funcionamiento el aparato, asegúrese de desconectar la fuente de

alimentación y no lo ponga en funcionamiento cuando esté encendido. No realice las operaciones mencionadas si el aparato se encuentra en un entorno de gas explosivo.

3. El dispositivo debe evitar la ignición causada por descargas electrostáticas durante su uso normal, mantenimiento y limpieza. No limpie el dispositivo en un entorno con gases explosivos. Si es necesario sustituir o limpiar el aparato, debe hacerse en un entorno sin gas explosivo.
4. Queda prohibido cargar o cambiar las pilas del aparato en zonas peligrosas.
5. El dispositivo estará protegido de la exposición a la luz del día o a la luz de luminarias.
6. El dispositivo solo se cargará cuando se encuentre en la zona no peligrosa utilizando un cargador suministrado específicamente por el fabricante para su uso con la unidad. El rango de temperaturas para la carga es de 0 °C a 45 °C.
7. Está prohibido que los usuarios cambien la batería del dispositivo.
8. La tapa de la interfaz de conexión cerrará el puerto USB tipo C cuando se encuentre en una localización peligrosa.
9. La resistencia al impacto ha sido probada en correspondencia a un bajo riesgo de peligro mecánico. Es necesario proteger el equipo contra impactos fuertes.

Instrucciones de seguridad

Estas instrucciones están destinadas a garantizar que el usuario pueda utilizar el producto correctamente para evitar peligros o pérdidas materiales.

Leyes y normativas

- El uso del producto ha de cumplir estrictamente con las normas de seguridad eléctrica locales.

Transporte

- Guarde el dispositivo en su paquete original o en uno similar cuando lo transporte.
- Guarde el embalaje para uso futuro. En el caso de que ocurra algún fallo, deberá devolver el dispositivo a la fábrica con el envoltorio original. En caso de transporte sin el envoltorio original podría resultar en daños en el dispositivo y la empresa no se hará responsable.
- No deje caer el producto ni lo someta a impactos físicos. Mantenga el dispositivo alejado de interferencias magnéticas.

Fuente de alimentación

- La tensión de entrada debe cumplir con el límite de la fuente de alimentación (3,7 V CC, 0,5 A) según el estándar IEC61010-1. Consulte

las especificaciones técnicas para obtener información detallada.

- Asegúrese de que el enchufe esté correctamente conectado a la toma de corriente.
- NO conecte múltiples dispositivos a un mismo adaptador de corriente, para evitar el sobrecalentamiento y los riesgos de incendio por sobrecarga.
- Utilice el adaptador eléctrico de un fabricante autorizado. Consulte las especificaciones técnicas del producto para conocer los requisitos eléctricos detallados.

Batería

- La batería integrada no puede ser desmontada. Póngase en contacto con el fabricante para solicitar las reparaciones necesarias. La batería podría explotar si se sustituye por una del tipo incorrecto. Cámbiela únicamente por otra del mismo tipo o equivalente. Deshágase de las baterías usadas conforme a las instrucciones proporcionadas por el fabricante de la batería.
- Use una batería provista por un fabricante cualificado. Consulte las especificaciones técnicas del producto para conocer los requisitos detallados de la batería.
- Para almacenar la batería durante un periodo prolongado, compruebe que esté completamente cargada cada medio año para garantizar la calidad de la misma. De lo contrario, podrían ocurrir daños.
- Asegúrese de que el enchufe esté correctamente conectado a la toma de corriente.
- Cuando el dispositivo esté apagado y la batería RTC esté llena, los ajustes de tiempo se podrán guardar durante 4 meses.
- Antes del primer uso, cargue la batería de litio durante más de 8 horas.

Mantenimiento

- Si el producto no funciona correctamente, por favor, póngase en contacto con su distribuidor o con el centro de servicio técnico más próximo. No nos haremos responsables de los problemas derivados de una reparación o mantenimiento no autorizados.
- Limpie suavemente el dispositivo con una gamuza limpia con una pequeña cantidad de etanol, si fuese necesario.
- Si se utiliza el equipo de una manera no especificada por el fabricante, la protección del dispositivo podría verse mermada.
- La cámara realizará periódicamente una autocalibración para optimizar la calidad de la

imagen y la precisión de las mediciones. Durante este proceso, la imagen se detendrá brevemente y se oirá un «clic» cuando el obturador se mueva delante del detector. La autocalibración será más frecuente durante el arranque o en ambientes muy fríos o calientes. Se trata de un proceso normal para garantizar un rendimiento óptimo de la cámara.

Servicio de calibración

- Le recomendamos llevar el dispositivo para su calibración una vez al año. Póngase en contacto con su distribuidor local para obtener información sobre el mantenimiento. Para obtener servicios de calibración más detallados, visite <https://www.hikmicrotech.com/es/support/calibration-service.html>.

Entorno de uso

- Compruebe que el entorno de uso se adapte a los requisitos del dispositivo. La temperatura de funcionamiento debe estar entre -20 °C y 40 °C, con una humedad relativa del 95 % o inferior.
- Coloque el dispositivo en un entorno seco y con buena ventilación.
- NO exponga el dispositivo a radiaciones electromagnéticas o entornos polvorientos.
- NO oriente la lente hacia el sol ni a otras luces brillantes.
- Cuando utilice equipos láser, asegúrese de que el objetivo del dispositivo no quede expuesto al rayo láser ya que podría quemarse.

Soporte técnico

<https://www.hikmicrotech.com/en/contact-us.html> le ayudará como cliente de HIKMICRO a sacar el máximo partido de sus productos HIKMICRO. El sitio le ofrece acceso a nuestro equipo de soporte, software y documentación, contactos de servicio, etc.

Emergencia

Si hay presencia de humo, olores o ruidos procedentes del dispositivo, apague la alimentación inmediatamente, desenchufe el cable de alimentación y contacte con el servicio técnico.

Dirección de fabricación

Habitación 313, Unidad B, Edificio 2, Carretera de Danfeng 399, Subdistrito de Xixing, Distrito de Binjiang, Hangzhou, Zhejiang 310052, China
Hangzhou Microimage Software Co., Ltd.

AVISO DE CONFORMIDAD: Los productos de las series térmicas podrían estar sujetos a controles de exportación en algunos países o regiones; entre

ellos, por ejemplo, los Estados Unidos, la Unión Europea, el Reino Unido y/o otros países miembros del Arreglo de Wassenaar. Consulte con algún experto en cumplimiento normativo y legal o con las autoridades gubernamentales locales para cumplir con los requisitos de licencia de exportación necesarios si desea transferir, exportar o reexportar los productos de las series térmicas entre distintos países.

Português

1. Breve descrição

A câmara termográfica portátil com invólucro de plástico é utilizada essencialmente em ambientes com gases explosivos, exceto gás metano.

2. Aspeto (página 1)

O aspeto do dispositivo pode variar consoante os diferentes modelos. Tenha o produto real como referência.

Botões e interfaces

N.º	Descrição	Função
1	Ecrã	Ver a visualização em direto.
2	Indicador de carga	<ul style="list-style-type: none"> • Vermelho fixo: Carregamento normal. • Verde fixo: Totalmente carregada.
3	Tecla de ligar/desligar	<ul style="list-style-type: none"> • Premir: Mostrar o menu ou confirmar uma operação. • Premir sem soltar: Ligar/desligar.
4	Tecla Retroceder	Sair do menu ou regressar ao menu anterior.
5	Campainha	Emite o alarme sonoro.
6	Tecla de navegação	Premir para selecionar parâmetros.
7	Lente ótica	Ver a imagem ótica.
8	Lente térmica	Ver a imagem térmica.
9	Luz LED	Aumentar a luminosidade em ambientes escuros.
10	Comutador da proteção da lente	Montar ou desmontar o protetor da lente.
11	Acionar	<ul style="list-style-type: none"> • Na interface da visualização em direto, prima o gatilho para capturar instantâneos. • No modo de menu, prima Acionar para voltar para a visualização em direto.

12	Suporte do tripé	Montar o tripé.
13	Ponto de fixação da correia de pulso	Instale a correia de pulso.
14	Interface Tipo-C	Carregue o dispositivo ou exporte ficheiros com o cabo USB Tipo-A para Tipo-C.

3. Carregar o dispositivo

Após o arranque do dispositivo, a OSD (apresentação no ecrã) mostra o estado da bateria. Quando a bateria estiver fraca, carregue o dispositivo e garanta que este funciona adequadamente.

No primeiro carregamento, carregue o dispositivo durante mais de 8 horas depois de o ligar.

Passos

1. Levante a proteção Tipo-C.
2. Ligue o cabo Tipo-A para Tipo-C e carregue o dispositivo.

Manual de utilizador



Informação legal

Acerca deste Manual

O Manual inclui instruções para utilizar e gerir o produto. As fotografias, os gráficos, as imagens e todas as outras informações doravante apresentadas destinam-se apenas a fins de descritivos e informativos. As informações que constam do Manual estão sujeitas a alteração, sem aviso prévio, devido a atualizações de firmware ou a outros motivos. Encontre a versão mais recente deste Manual no website da HIKMICRO (www.hikmicrotech.com).

Utilize este Manual sob orientação e com a assistência de profissionais formados neste Produto.

Este manual aplica-se aos seguintes modelos: HM-TP52N-3AQF-BX20, BX20, HM-TP5XY-ABCDEF, HM-TP5A-XY, HM-TP51N-3AQF, HM-TP53N-3AQF, HM-TP5XN-A, HM-TP5AB-XY, HM-TP5AB-XYZ, HM-TP5XY-AB, HM-TP5XY-A.

EXCLUSÃO DE RESPONSABILIDADE LEGAL
NA MEDIDA MÁXIMA PERMITIDA PELA LEI APLICÁVEL, ESTE MANUAL E O PRODUTO DESCRITO, COM O SEU HARDWARE, SOFTWARE

E FIRMWARE, SÃO FORNECIDOS “TAL COMO ESTÃO” E “COM TODAS AS SUAS FALHAS E ERROS”. A HIKMICRO NÃO APRESENTA QUAISQUER GARANTIAS, EXPRESSAS OU IMPLÍCITAS, INCLUINDO, SEM QUAISQUER LIMITAÇÕES, GARANTIAS DE COMERCIALIZAÇÃO, QUALIDADE SATISFATÓRIA OU ADEQUAÇÃO A UM DETERMINADO FIM. A SUA UTILIZAÇÃO DESTA PRODUTO É FEITA POR SUA CONTA E RISCO. EM NENHUMA CIRCUNSTÂNCIA, A HIKMICRO SERÁ RESPONSÁVEL POR SI EM RELAÇÃO A QUAISQUER DANOS ESPECIAIS, CONSEQUENCIAIS, INCIDENTAIS OU INDIRETOS, INCLUINDO, ENTRE OUTROS, DANOS PELA PERDA DE LUCROS COMERCIAIS, INTERRUPTÃO DA ATIVIDADE, PERDA DE DADOS, CORRUPÇÃO DE SISTEMAS OU PERDA DE DOCUMENTAÇÃO SEJA COM BASE NUMA VIOLAÇÃO DO CONTRATO, ATOS ILÍCITOS (INCLUINDO NEGLIGÊNCIA), RESPONSABILIDADE PELO PRODUTO OU, DE OUTRO MODO, RELACIONADA COM A UTILIZAÇÃO DO PRODUTO, AINDA QUE A HIKMICRO TENHA SIDO AVISADA SOBRE A POSSIBILIDADE DE TAIS DANOS OU PERDAS. O UTILIZADOR RECONHECE QUE A NATUREZA DA INTERNET OFERECE RISCOS DE SEGURANÇA INERENTES E QUE A HIKMICRO NÃO SERÁ RESPONSABILIZADA POR UM FUNCIONAMENTO ANORMAL, PERDA DE PRIVACIDADE OU OUTROS DANOS RESULTANTES DE ATAQUES INFORMÁTICOS, ATAQUES DE PIRATARIA, INFEÇÃO POR VÍRUS OU OUTROS RISCOS ASSOCIADOS À SEGURANÇA DA INTERNET. NO ENTANTO, A HIKMICRO PRESTARÁ APOIO TÉCNICO ATEMPADO, SE SOLICITADO. O UTILIZADOR ACEITA UTILIZAR ESTE PRODUTO EM CONFORMIDADE COM TODAS AS LEIS APLICÁVEIS E SER O ÚNICO RESPONSÁVEL POR GARANTIR QUE A SUA UTILIZAÇÃO É CONFORME À LEI APLICÁVEL. PARTICULARMENTE, O UTILIZADOR É O RESPONSÁVEL PELA UTILIZAÇÃO DESTA PRODUTO DE MODO QUE NÃO INFIRJA OS DIREITOS DE TERCEIROS, INCLUINDO, ENTRE OUTROS, OS DIREITOS DE PUBLICIDADE, DIREITOS DE PROPRIEDADE INTELECTUAL OU DE PROTEÇÃO DE DADOS, OU QUAISQUER OUTROS DIREITOS DE PRIVACIDADE. O UTILIZADOR NÃO PODERÁ UTILIZAR ESTE PRODUTO PARA QUAISQUER UTILIZAÇÕES FINAIS PROIBIDAS, INCLUINDO O DESENVOLVIMENTO OU PRODUÇÃO DE ARMAS DE DESTRUIÇÃO MACIÇA, DESENVOLVIMENTO OU PRODUÇÃO DE QUÍMICOS OU ARMAS BIOLÓGICAS, QUAISQUER ATIVIDADES DESENVOLVIDAS NO ÂMBITO DE EXPLOSIVOS NUCLEARES OU CICLOS DE COMBUSTÍVEL NUCLEAR INSEGURO OU PARA APOIAR ABUSOS AOS DIREITOS HUMANOS.

NA EVENTUALIDADE DA OCORRÊNCIA DE ALGUM CONFLITO ENTRE ESTE MANUAL E A LEGISLAÇÃO APLICÁVEL, ESTA ÚLTIMA PREVALECE.

Informações sobre as normas reguladoras

As presentes cláusulas aplicam-se apenas aos produtos que apresentam a marcação ou informação correspondentes.

Declaração de conformidade da UE



Este produto e, se aplicável, os acessórios fornecidos com o mesmo, têm a marcação "CE" e estão, por isso,

em conformidade com os padrões europeus aplicáveis, indicados na diretiva 2014/30/UE (CEM) e na diretiva 2011/65/UE (RSP).

Nota: Os produtos com uma tensão de entrada situada entre 50 e 1000 V CA ou entre 75 e 1500 V CC estão em conformidade com a diretiva 2014/35/UE (LVD) e os restantes produtos estão em conformidade com a diretiva 2001/95/CE (GPSD). Verifique a informação da fonte de alimentação específica para referência.

Para dispositivos sem adaptador de alimentação incluído, utilize um adaptador de alimentação fornecido por um fabricante qualificado. Para informações detalhadas sobre os requisitos relativos à alimentação, consulte as especificações do produto.

Para dispositivos sem bateria incluída, utilize uma bateria fornecida por um fabricante qualificado. Para informações detalhadas sobre os requisitos relacionados com a bateria, consulte as especificações do produto.



Diretiva 2012/19/UE (diretiva REEE): Os produtos com este símbolo não podem ser eliminados como resíduos urbanos indiferenciados na União Europeia. Para uma reciclagem adequada,

devolva este produto ao seu fornecedor local quando adquirir um novo equipamento equivalente ou elimine-o através dos pontos de recolha adequados. Para mais informações, consulte: www.recyclethis.info.



Diretiva 2006/66/CE e respetiva alteração 2013/56/UE (diretiva relativa às pilhas e baterias): Este produto contém uma bateria que não pode ser eliminada como resíduo urbano indiferenciado na União Europeia. Consulte a documentação do produto para obter informações específicas acerca da bateria. A bateria está marcada com este símbolo, que

poderá incluir inscrições para indicar a presença de cádmio (Cd), chumbo (Pb), ou mercúrio (Hg). Para reciclar o produto de forma adequada, devolva a bateria ao seu fornecedor ou coloque-a num ponto de recolha apropriado. Para mais informações, consulte: www.recyclethis.info.

Utilização prevista da câmara

ATEX: II 3 G Ex ic IIC T6 Gc
II 3 D Ex ic IIIC T85°C Dc

IECEX: Ex ic IIC T6 Gc
Ex ic IIIC T85°C Dc

Classificação IP: IP54

Normas Ex:

IEC 60079-0:2017 IEC 60079-11:2011

Certificado Ex:

TÜV 23 ATEX 8963 IECEX TUR 23.0015

Condições especiais para uma utilização segura em áreas perigosas:

1. É proibido alterar os nomes, modelos, especificações e parâmetros dos circuitos de segurança intrínseca ou dos componentes relacionados durante a utilização e manutenção do dispositivo.
2. Ao desmontar ou ao utilizar o dispositivo, certifique-se de que desliga a fonte de alimentação e não utilize o dispositivo com esta ligada. Não efetue as operações acima mencionadas se o dispositivo estiver num ambiente de gás explosivo.
3. O dispositivo deve evitar a ignição causada por descargas eletrostáticas durante a utilização normal, a manutenção e a limpeza. Não limpe o dispositivo num ambiente com gases explosivos. Se for necessário substituir ou limpar o dispositivo, esta ação deve ser efetuada num ambiente sem gases explosivos.
4. É proibido carregar ou substituir as baterias do dispositivo em áreas perigosas.
5. O dispositivo deve ser protegido da exposição à luz do dia ou à luz de luminárias.
6. O dispositivo só deve ser carregado quando se encontrar numa área não perigosa, utilizando um carregador especificamente fornecido pelo fabricante para ser utilizado com a unidade. O intervalo da temperatura de carregamento situa-se entre os 0 °C e os 45 °C.
7. A bateria do dispositivo não deve ser substituída pelos utilizadores finais.
8. A tampa da interface deve bloquear a porta USB Tipo-C em áreas perigosas.
9. A resistência a impactos foi testada e corresponde a um baixo risco de perigo mecânico. O dispositivo deve estar protegido contra impactos fortes.

Instruções de segurança

Estas instruções destinam-se a garantir que o utilizador possa utilizar o produto corretamente para evitar perigos ou perdas materiais.

Legislação e regulamentos

- A utilização do produto deve estar em total conformidade com as normas locais de manuseamento de aparelhos elétricos.

Transporte

- Mantenha o dispositivo na embalagem original ou similar, quando o transportar.
- Depois da abertura da embalagem do produto, guarde todos invólucros, para uso posterior. Em caso de qualquer avaria, deve devolver o dispositivo à fábrica com o invólucro original. O transporte sem o invólucro original pode resultar em danos no dispositivo, sendo que a empresa não assumirá quaisquer responsabilidades.
- Não deixe o produto cair, nem o sujeite a impactos físicos. Mantenha o dispositivo longe de interferências magnéticas.

Alimentação elétrica

- A tensão de entrada deve cumprir a Fonte de potência limitada (3,7 V CC, 0,5 A), de acordo com a norma IEC61010-1. Consulte as especificações técnicas para obter informações detalhadas.
- Certifique-se de que a ficha está devidamente ligada à tomada.
- NÃO ligue vários dispositivos a um adaptador de energia, para evitar o superaquecimento de riscos de incêndio provocados por sobrecarga.
- Utilize o adaptador de alimentação fornecido por um fabricante qualificado. Para informações detalhadas sobre os requisitos relativos à alimentação, consulte as especificações do produto.

Bateria

- A bateria integrada não pode ser desmontada. Contacte o fabricante caso necessite de uma reparação. A bateria poderá explodir se for substituída por outra de tipo incorreto. Substitua apenas por uma bateria do mesmo tipo ou de tipo equivalente. Elimine as baterias usadas em conformidade com as instruções fornecidas pelo fabricante da bateria.
- Utilize uma bateria fornecida por um fabricante qualificado. Para informações detalhadas sobre os requisitos relacionados com a bateria, consulte as especificações do produto.
- Em caso de armazenamento prolongado da bateria, certifique-se de que esta é totalmente carregada de 6 em 6 meses, garantindo, assim,

a sua qualidade. Caso contrário, poderão ocorrer danos.

- Certifique-se de que a ficha está devidamente ligada à tomada.
- Quando o dispositivo está desligado e a bateria do RTC está cheia, as definições de hora podem ser guardadas durante 4 meses.
- Antes da primeira utilização, carregue a bateria de lítio durante mais de 8 horas.

Manutenção

- Se o produto não funcionar corretamente, contacte o seu fornecedor ou o seu centro de assistência mais próximo. Não assumimos qualquer responsabilidade por problemas causados por reparações ou manutenções não autorizadas.
- Limpe o dispositivo suavemente com um pano limpo e uma pequena quantidade de etanol, se necessário.
- Se o equipamento for utilizado de uma forma não especificada pelo fabricante, a proteção providenciada pelo dispositivo poderá ser afetada.
- A câmara efetua periodicamente uma autocalibração para otimizar a qualidade da imagem e a precisão da medição. Neste processo, a imagem é colocada em pausa por breves instantes e ouvirá um "clique" enquanto o obturador se move à frente do detetor. A autocalibração será mais frequente durante o arranque ou em ambientes muito frios ou quentes. Esta operação faz parte do funcionamento normal para garantir um desempenho ótimo da câmara.

Serviço de calibração

- Recomendamos remeter uma vez por ano o dispositivo para calibração, contacte o revendedor local para obter mais informação sobre os centros de manutenção. Para obter informações mais detalhadas sobre os serviços de calibração, visite o sítio Web <https://www.hikmicrotech.com/en/support/calibration-service.html>.

Ambiente da utilização

- Certifique-se de que o ambiente de funcionamento do dispositivo cumpre os requisitos do mesmo. A temperatura de funcionamento deve ser de -20 °C a 40 °C e a humidade deve ser igual ou inferior a 95%.
- Coloque o dispositivo num ambiente seco e bem ventilado.
- NÃO exponha o dispositivo a radiação eletromagnética elevada nem a ambientes com pó.

- NÃO direcionare a lente para o sol nem para qualquer outra luz brilhante.
- Quando estiver a utilizar qualquer equipamento a laser, verifique se a lente do dispositivo não se encontra exposta ao feixe de laser, caso contrário pode queimar.

Suporte técnico

Enquanto cliente da HIKMICRO, <https://www.hikmicrotech.com/en/contact-us.html> irá ajudá-lo a tirar o máximo partido dos seus produtos HIKMICRO. O portal dá-lhe acesso à nossa equipa de apoio ao cliente, software, documentação, contactos de serviço, etc.

Emergência

Caso o dispositivo emita fumo, odores ou ruídos, desligue a alimentação elétrica de imediato, retire o cabo de alimentação da tomada e contacte o centro de assistência.

Endereço do fabricante

Sala 313, Unidade B, Edifício 2, Rua Danfeng 399, Subdistrito Xixing, Distrito Binjiang, Hangzhou, Zhejiang 310052, China
Hangzhou Microimage Software Co., Ltd.

AVISO DE CONFORMIDADE: Os produtos da série térmica poderão estar sujeitos a controlos de exportação em vários países ou regiões, incluindo sem limite, os Estados Unidos da América, a União Europeia, o Reino Unido e/ou outros países-membro do Acordo de Wassenaar. Consulte o seu especialista em legislação ou em conformidade ou as autoridades locais para saber os requisitos de licença de exportação necessários se pretender transferir, exportar, voltar a exportar os produtos da série térmica entre países diferentes.

Italiano

1. Descrizione sintetica

La termocamera portatile con guscio in plastica viene utilizzata principalmente in ambienti con gas esplosivi diversi dal gas metano.

2. Descrizione (Pagina 1)

L'aspetto del dispositivo può variare in base al modello. Fare riferimento al prodotto reale.

Pulsanti e interfacce

N.	Descrizione	Funzione
1	Schermo	Consente la visualizzazione live.
2	Indicatore di carica	<ul style="list-style-type: none"> • Rosso fisso: Caricamento normale. • Verde fisso: ricarica completata.

3	Pulsante di alimentazione	<ul style="list-style-type: none"> • Pressione breve: Visualizzare il menu o confermare un'operazione. • Pressione lunga: accensione/spegnimento.
4	Tasto Indietro	Uscita dal menu o ritorno al menu precedente.
5	Cicalino	Uscita allarme acustico.
6	Tasto Navigazione	Premere per selezionare i parametri.
7	Obiettivo ottico	Mostra l'immagine ottica.
8	Obiettivo termico	Mostra l'immagine termografica.
9	Luce LED	Aumenta la luce ambientale negli ambienti bui.
10	Selettore di protezione obiettivo	Montare o rimuovere la protezione obiettivo.
11	Pulsante di attivazione	<ul style="list-style-type: none"> • Premere il pulsante di attivazione sull'interfaccia di visualizzazione live per scattare un'istantanea. • Premere il pulsante di attivazione in modalità menu per tornare alla visualizzazione live.
12	Supporto per treppiede	Montare il treppiede.
13	Punto di fissaggio del cinturino da polso	Per installare il cinturino da polso.
14	Interfaccia Type-C	Consente di ricaricare il dispositivo o esportare i file con il cavo USB da Type-A a Type-C.

3. Ricarica del dispositivo

All'avvio del dispositivo viene visualizzato lo stato della batteria. Quando la batteria è scarica, caricare il dispositivo e verificare che funzioni correttamente.

Dopo la prima accensione, tenere in carica il dispositivo per almeno 8 ore.

Procedura

1. Sollevare la copertura dell'interfaccia Type-C.
2. Collegare il cavo da Type-A a Type-C e caricare il dispositivo.

Manuale dell'utente



Informazioni legali

Informazioni sul presente Manuale

Il presente Manuale contiene le istruzioni per l'uso e la gestione del prodotto. Le illustrazioni, i grafici e tutte le altre informazioni che seguono hanno solo scopi illustrativi ed esplicativi. Le informazioni contenute nel Manuale sono soggette a modifiche senza preavviso in seguito ad aggiornamenti del firmware o per altri motivi. Scaricare la versione più recente del presente Manuale dal sito web di HIKMICRO (www.hikmicrotech.com).

Utilizzare il presente Manuale con la supervisione e l'assistenza di personale qualificato nel supporto del prodotto.

Il presente manuale si applica solo ai seguenti modelli: HM-TP52N-3AQF-BX20, BX20, HM-TP5XY-ABCDEF, HM-TP5A-XY, HM-TP51N-3AQF, HM-TP53N-3AQF, HM-TP5XN-A, HM-TP5AB-XY, HM-TP5AB-XYZ, HM-TP5XY-AB, HM-TP5XY-A.

ESCLUSIONE DI RESPONSABILITÀ

NELLA MISURA MASSIMA CONSENTITA DALLA LEGGE VIGENTE, QUESTO MANUALE E IL PRODOTTO DESCRITTO, CON IL SUO HARDWARE, SOFTWARE E FIRMWARE, SONO FORNITI "COSÌ COME SONO" E "CON TUTTI I DIFETTI E GLI ERRORI". HIKMICRO NON RILASCI ALCUNA GARANZIA, NÉ ESPRESSA NÉ IMPLICITA COME, SOLO A TITOLO DI ESEMPIO, GARANZIE DI COMMERCIALIZZABILITÀ, QUALITÀ SODDISFACENTE O IDONEITÀ PER UN USO SPECIFICO. L'UTENTE UTILIZZA IL PRODOTTO A PROPRIO RISCHIO.

HIKMICRO DECLINA QUALSIASI RESPONSABILITÀ VERSO L'UTENTE IN RELAZIONE A DANNI SPECIALI, CONSEGUENZIALI E INCIDENTALI, COMPRESI, TRA GLI ALTRI, I DANNI DERIVANTI DA MANCATO PROFITTO, INTERRUZIONE DELL'ATTIVITÀ O PERDITA DI DATI, DANNEGGIAMENTO DI SISTEMI O PERDITA DI DOCUMENTAZIONE, DERIVANTI DA INADEMPIENZA CONTRATTUALE, ILLECITO (COMPRESA LA NEGLIGENZA), RESPONSABILITÀ PER DANNI AI PRODOTTI O ALTRIMENTI IN RELAZIONE ALL'USO DEL PRODOTTO, ANCHE QUALORA HIKMICRO SIA STATA INFORMATA DELLA POSSIBILITÀ DI TALI DANNI O PERDITE. L'UTENTE RICONOSCE CHE LA NATURA DI INTERNET PREVEDE RISCHI DI SICUREZZA INTRINSECI E CHE HIKMICRO DECLINA QUALSIASI RESPONSABILITÀ IN RELAZIONE A

FUNZIONAMENTI ANOMALI, VIOLAZIONE DELLA RISERVATEZZA O ALTRI DANNI RISULTANTI DA ATTACCHI INFORMATICI, INFEZIONE DA VIRUS O ALTRI RISCHI LEGATI ALLA SICUREZZA SU INTERNET; TUTTAVIA, HIKMICRO FORNIRÀ TEMPESTIVO SUPPORTO TECNICO, SE NECESSARIO.

L'UTENTE ACCETTA DI UTILIZZARE IL PRODOTTO IN CONFORMITÀ A TUTTE LE LEGGI VIGENTI E DI ESSERE IL SOLO RESPONSABILE DI TALE UTILIZZO CONFORME. IN PARTICOLARE, L'UTENTE È RESPONSABILE DEL FATTO CHE L'UTILIZZO DEL PRODOTTO NON VIOLI DIRITTI DI TERZI COME, SOLO A TITOLO DI ESEMPIO, DIRITTI DI PUBBLICITÀ, DIRITTI DI PROPRIETÀ INTELLETTUALE O DIRITTI RELATIVI ALLA PROTEZIONE DEI DATI E ALTRI DIRITTI RIGUARDANTI LA PRIVACY. NON È CONSENTITO UTILIZZARE QUESTO PRODOTTO PER SCOPI PROIBITI, COME, TRA GLI ALTRI, LA PRODUZIONE DI ARMI DI DISTRUZIONE DI MASSA, LO SVILUPPO O LA PRODUZIONE DI ARMI CHIMICHE O BIOLOGICHE, QUALSIASI ATTIVITÀ SVOLTA IN CONTESTI CORRELATI A ESPLOSIVI NUCLEARI O COMBUSTIBILI NUCLEARI NON SICURI O ATTIVITÀ CHE CAUSINO VIOLAZIONI DEI DIRITTI UMANI.

IN CASO DI CONFLITTO TRA IL PRESENTE MANUALE E LA LEGGE VIGENTE, PREVARRÀ QUEST'ULTIMA.

Informazioni sulle norme

Queste clausole si applicano solo ai prodotti recanti il marchio o le informazioni corrispondenti.

Dichiarazione di conformità UE



Il presente prodotto e gli eventuali accessori in dotazione sono contrassegnati con il marchio "CE" e

sono quindi conformi alle norme europee armonizzate vigenti di cui alla direttiva 2014/30/UE (CEM) e alla direttiva 2011/65/UE (RoHS).

Nota: I prodotti con una tensione in ingresso compresa tra 50 e 1.000 V CA o tra 75 e 1.500 V CC sono conformi alla direttiva 2014/35/UE (direttiva Bassa Tensione); gli altri prodotti sono conformi alla direttiva 2001/95/CE (relativa alla sicurezza generale dei prodotti). Fare riferimento alle informazioni specifiche sull'alimentazione. Per dispositivi senza alimentatore in dotazione, usare alimentatori forniti da un produttore qualificato. Fare riferimento alle specifiche del prodotto per i requisiti di alimentazione dettagliati.

Per i dispositivi senza batteria in dotazione, utilizzare una batteria fornita da un produttore qualificato. Fare riferimento alle specifiche del prodotto per i requisiti di batteria dettagliati.



Direttiva 2012/19/UE (RAEE): i prodotti contrassegnati con il presente simbolo non possono essere smaltiti come rifiuti domestici indifferenziati nell'Unione europea. Per lo smaltimento corretto, restituire il prodotto al rivenditore in occasione dell'acquisto di un nuovo dispositivo o smaltirlo nei punti di raccolta autorizzati. Ulteriori informazioni sono disponibili sul sito: www.recyclethis.info



Direttiva 2006/66/CE, modificata dalla direttiva 2013/56/UE (direttiva batterie): questo prodotto contiene una batteria e non è possibile smaltirlo con i rifiuti domestici indifferenziati nell'Unione europea. Consultare la documentazione del prodotto per le informazioni specifiche sulla batteria. La batteria è contrassegnata con il presente simbolo, che potrebbe includere le sigle di cadmio (Cd), piombo (Pb) o mercurio (Hg). Per lo smaltimento corretto, restituire la batteria al rivenditore locale o smaltirla nei punti di raccolta autorizzati. Ulteriori informazioni sono disponibili sul sito: www.recyclethis.info.

Uso previsto della telecamera

ATEX: II 3 G Ex ic IIC T6 Gc
II 3 D Ex ic IIIC T85°C Dc

IECEx: Ex ic IIC T6 Gc
Ex ic IIIC T85°C Dc

Grado di protezione IP: IP54

Norme Ex:

IEC 60079-0:2017 IEC 60079-11:2011

Certificazione Ex:

TÜV 23 ATEX 8963 IECEx TUR 23.0015

Condizioni speciali per l'utilizzo sicuro in aree pericolose:

1. È vietato modificare i nomi, i modelli, le specifiche e i parametri dei circuiti a sicurezza intrinseci o dei relativi componenti durante l'utilizzo e la manutenzione del dispositivo.
2. Quando si smonta o si utilizza il dispositivo, assicurarsi di scollegare l'alimentazione e di non utilizzare il dispositivo quando è acceso. Non eseguire le suddette operazioni se il dispositivo si trova in ambienti dove è presente gas esplosivo.
3. Il dispositivo deve evitare l'accensione di incendi causata da scariche elettrostatiche durante il normale utilizzo, la manutenzione e la pulizia. Non pulire il dispositivo in un ambiente

con gas esplosivo. Se è necessario sostituire o pulire il dispositivo, l'operazione deve essere eseguita in un ambiente privo di gas esplosivo.

4. La ricarica o la sostituzione delle batterie del dispositivo è vietata nelle aree pericolose.

5. Il dispositivo deve essere protetto dall'esposizione alla luce solare o artificiale.

6. Il dispositivo deve essere caricato solo quando si trova in un'area non pericolosa, utilizzando il caricabatterie fornito dal produttore. La temperatura di ricarica deve essere compresa tra 0 e 45 °C.

7. La batteria del dispositivo non deve essere sostituita dagli utenti finali.

8. La porta USB-C deve essere protetta con l'apposita copertura quando il dispositivo si trova in aree pericolose.

9. La resistenza agli impatti è stata testata con bassi rischi meccanici. Il dispositivo deve essere protetto dagli impatti forti.

Istruzioni per la sicurezza

Le presenti istruzioni hanno lo scopo di garantire che il prodotto venga utilizzato in modo corretto, evitando situazioni di pericolo o danni materiali.

Leggi e regolamenti

- Il prodotto deve essere utilizzato rispettando rigorosamente le norme locali in materia di sicurezza elettrica.

Trasporto

- Per trasportare il dispositivo, riporlo nella confezione originale o in una analoga.
- Dopo aver disimballato il prodotto, conservare tutto il materiale di imballaggio per riutilizzarlo in futuro. In caso di guasti, sarà necessario inviare il dispositivo al produttore nell'imballaggio originale. Il trasporto senza l'imballaggio originale può causare danni al dispositivo; in tal caso il produttore declina ogni responsabilità.
- Non lasciar cadere il prodotto e non sottoporlo a impatti. Tenere il dispositivo lontano dalle interferenze magnetiche.

Alimentazione

- La tensione in ingresso deve essere conforme alla norme dello standard IEC61010-1 sulle fonti di alimentazione limitate (3,7 V CC; 0,5 A). Per informazioni dettagliate, consultare le specifiche tecniche.
- Verificare che la spina sia correttamente inserita nella presa di corrente.
- NON collegare più dispositivi allo stesso alimentatore per evitare rischi di surriscaldamento o di incendio da sovraccarico.

- Utilizzare un alimentatore fornito da un produttore qualificato. Fare riferimento alle specifiche del prodotto per i requisiti di alimentazione dettagliati.

Batteria

- La batteria integrata non può essere smontata. Per eventuali riparazioni, rivolgersi al produttore. Se la batteria viene sostituita con una di tipo non corretto può esplodere. Sostituire la batteria solo con una dello stesso tipo o di tipo equivalente. Smaltire le batterie esaurite secondo le istruzioni del produttore.
- Utilizzare una batteria fornita da un produttore qualificato. Fare riferimento alle specifiche del prodotto per i requisiti di batteria dettagliati.
- Se la batteria rimane inutilizzata per lunghi periodi, caricarla completamente ogni sei mesi per garantire una lunga durata. In caso contrario potrebbe subire danni.
- Verificare che la spina sia correttamente inserita nella presa di corrente.
- Quando il dispositivo è spento e la batteria RTC completamente carica, le impostazioni di orario possono essere conservate 4 mesi.
- Al primo utilizzo, caricare la batteria al litio per almeno 8 ore.

Manutenzione

- Se il prodotto non funziona correttamente, rivolgersi al rivenditore o al centro di assistenza più vicino. Decliniamo qualsiasi responsabilità in relazione a problemi causati da interventi di riparazione o manutenzione non autorizzati.
- Se necessario, pulire delicatamente il dispositivo con un panno pulito imbevuto di una piccola quantità di alcool etilico.
- Se il dispositivo viene utilizzato in un modo non approvato dal produttore la garanzia potrebbe essere annullata.
- La telecamera eseguirà periodicamente una calibrazione automatica per ottimizzare la qualità dell'immagine e la precisione della misurazione. Durante la procedura l'immagine si fermerà brevemente e sarà possibile sentire un "clic" mentre l'otturatore si sposta davanti al rilevatore. La calibrazione automatica sarà più frequente durante l'avvio o in ambienti molto freddi o caldi. Si tratta di una procedura normale del funzionamento per garantire le prestazioni ottimali della telecamera.

Servizio di calibrazione

- Si consiglia di inviare il dispositivo per la calibrazione una volta all'anno, dopo aver richiesto al proprio rivenditore locale le informazioni sui centri di manutenzione. Per

servizi di calibrazione più approfonditi, visitare la pagina

<https://www.hikmicrotech.com/it/support/calibration-service.html>.

Ambiente di utilizzo

- Verificare che l'ambiente di utilizzo sia conforme ai requisiti del dispositivo. La temperatura di esercizio deve essere compresa tra -20 e 40 °C (tra -4 e 104 °F) e l'umidità non deve superare il 95%.
- Collocare il dispositivo in un ambiente asciutto e ben ventilato.
- NON esporre il dispositivo a radiazioni elettromagnetiche intense o ad ambienti polverosi.
- NON orientare l'obiettivo verso il sole o altre luci intense.
- Quando si utilizzano apparecchiature laser, non esporre l'obiettivo del dispositivo al raggio laser, che potrebbe bruciarlo.

Assistenza tecnica

I clienti HIKMICRO possono ottenere il massimo dai propri prodotti HIKMICRO consultando la pagina

<https://www.hikmicrotech.com/en/contact-us.html>. Il portale permette di accedere al nostro team di assistenza, offre documentazione e strumenti software, contatti per i servizi e molto altro.

Emergenza

Se il dispositivo emette fumo, odori o rumori, spegnerlo immediatamente e scollegare il cavo di alimentazione, quindi rivolgersi a un centro di assistenza.

Indirizzo del produttore

Stanza 313, unità B, edificio 2, via Danfeng 399, subdistretto Xixing, distretto Binjiang, Hangzhou, Zhejiang, 310052, Cina
Hangzhou Microimage Software Co., Ltd.

AVVISO SULLA CONFORMITÀ: i prodotti termografici potrebbero essere soggetti a controlli sulle esportazioni in vari Paesi o regioni, tra cui Stati Uniti, Unione europea, Regno Unito e/o altri Paesi membri dell'accordo di Wassenaar. Consultare un legale o un esperto di conformità o le autorità governative locali per eventuali requisiti di licenza di esportazione necessari se si intende trasferire, esportare, riesportare i prodotti termografici tra diversi Paesi.

Čeština

1. Stručný popis

Ruční termokamera s plastovým pláštěm se používá především v prostředí s výbušnými plyny jinými než metan.

2. Vzhled (strana 1)

Vzhled zařízení se může u různých modelů lišit. Jako referenci použijte skutečný výrobek.

Tlačítka a rozhraní

Č.	Popis	Funkce
1	Obrazovka	Zobrazuje živé zobrazení.
2	Indikátor nabíjení	<ul style="list-style-type: none">● Svítí červená: Normální nabíjení.● Nepřerušovaná zelená: Plně nabit.
3	Vypínač	<ul style="list-style-type: none">● Stisknutí: Slouží k zobrazení nabídky nebo potvrzení operace.● Podržení: Zapnutí/vypnutí.
4	Tlačítko Zpět	Slouží k ukončení nabídky nebo návratu do předchozí nabídky.
5	Bzučák	Slouží k výstupu slyšitelného alarmu.
6	Navigační tlačítko	Stisknutím vyberete parametry.
7	Optický objektiv	Slouží k zobrazení optického snímku.
8	Termoobjektiv	Slouží k zobrazení termosnímku.
9	Osvětlení LED	Zvýšení okolního jasu v tmavém prostředí.
10	Spínač ochrany objektivu	Nasazení nebo sejmutí ochrany objektivu.
11	Spoušť	<ul style="list-style-type: none">● V rozhraní živého náhledu stisknutím spouště pořídíte snímky.● V režimu nabídky přejdete stisknutím spouště zpět do živého zobrazení.
12	Držák na stativ	Přípevněte stativ.
13	Upevňovací bod poutka na zápěstí	Slouží k připevnění poutka na zápěstí.
14	Konektor typu C	Nabíjejte zařízení nebo exportujte soubory pomocí USB kabelu z typu A na typ C.

3. Nabíjení zařízení

Po spuštění zařízení se v nabídce zobrazení na displeji zobrazí stav baterie. Je-li baterie téměř vybitá, nabíjejte zařízení, abyste zajistili jeho správné fungování.

Při prvním nabíjení nabíjejte zařízení déle než 8 hodin po jeho zapnutí.

Kroky

1. Zvedněte kryt konektoru typu C.
2. Připojte USB kabel z typu A na typ C a nabíjejte zařízení.

Návod k obsluze



Právní informace

O tomto návodu

V návodu jsou obsaženy pokyny k používání a obsluze výrobku. Obrázky, schémata, snímky a veškeré ostatní zde uvedené informace slouží pouze jako popis a vysvětlení. Informace obsažené v tomto návodu podléhají vzhledem k aktualizacím firmwaru nebo z jiných důvodů změnám bez upozornění. Nejnovější verzi tohoto návodu naleznete na webových stránkách společnosti HIKMICRO (www.hikmicrotech.com).

Tento návod používejte s vedením a pomocí odborníků vyškolených v oblasti podpory výrobku. Tento návod se vztahuje na následující modely:

HM-TP52N-3AQF-BX20, BX20, HM-TP5XY-ABCDEF, HM-TP5A-XY, HM-TP51N-3AQF, HM-TP53N-3AQF, HM-TP5XN-A, HM-TP5AB-XY, HM-TP5AB-XYZ, HM-TP5XY-AB, HM-TP5XY-A.

PROHLÁŠENÍ O VYLOUČENÍ ODPOVĚDNOSTI

TATO PŘÍRUČKA A POPISOVANÉ PRODUKTY VČETNĚ PŘÍSLUŠNÉHO HARDWARU, SOFTWARE A FIRMWARU JSOU V MAXIMÁLNÍM ROZSAHU PŘÍPUSTNÉM PODLE ZÁKONA POSKYTOVÁNY, „JAK STOJÍ A LEŽÍ“, A „SE VŠEMI VADAMI A CHYBAMI“. SPOLEČNOST HIKMICRO NEPOSKYTUJE ŽÁDNÉ VÝSLOVNÉ ANI PŘEDPOKLÁDANÉ ZÁRUKY ZARNUJÍCÍ MIMO JINÉ PRODEJNOST, USPOKOJIVOU KVALITU NEBO VHODNOST KE KONKRÉTNÍM ÚČELŮM. POUŽÍVÁNÍ TOHOTO PRODUKTU JE NA VAŠE VLASTNÍ RIZIKO. SPOLEČNOST HIKMICRO V ŽÁDNÉM PŘÍPADĚ NENESE ODPOVĚDNOST ZA JAKÉKOLI ZVLÁŠTNÍ, NÁSLEDNÉ, NÁHODNÉ NEBO NEPŘÍMÉ ŠKODY ZAHRNUTÉ MIMO JINÉ ŠKODY ZE ZTRÁTY OBCHODNÍHO ZISKU, PŘERUŠENÍ OBCHODNÍ ČINNOSTI NEBO ZTRÁTY DAT, POŠKOZENÍ SYSTÉMŮ NEBO ZTRÁTY

DOKUMENTACE V SOUVISLOSTI S POUŽÍVÁNÍM TOHOTO VÝROBKU BEZ OHLEDU NA TO, ZDA TAKOVÉ ŠKODY VZNIKLY Z DŮVODU PORUŠENÍ SMLOUVY, OBČANSKOPRÁVNÍHO PŘEČINU (VČETNĚ NEDBALOSTI) ČI ODPOVĚDNOSTI ZA PRODUKT, A TO ANI V PŘÍPADĚ, ŽE SPOLEČNOST HIKMICRO BYLA NA MOŽNOST TAKOVÝCHTO ŠKOD NEBO ZTRÁTY UPOZORNĚNA.

BERETE NA VĚDOMÍ, ŽE INTERNET SVOU PODSTATOU PŘEDSTAVUJE SKRYTÁ BEZPEČNOSTNÍ RIZIKA A SPOLEČNOST HIKMICRO PROTO NEPŘEBÍRÁ ŽÁDNOU ODPOVĚDNOST ZA NESTANDARDNÍ PROVOZNÍ CHOVÁNÍ, ÚNIK OSOBNÍCH ÚDAJŮ NEBO JINÉ ŠKODY VYPLÝVAJÍCÍ Z KYBERNETICKÉHO ČI HACKERSKÉHO ÚTOKU, NAPADENÍ VIREM NEBO ŠKODY ZPŮSOBENÉ JINÝMI INTERNETOVÝMI BEZPEČNOSTNÍMI RIZIKY; SPOLEČNOST HIKMICRO VŠAK V PŘÍPADĚ POTŘEBY POSKYTNE VČASNOU TECHNICKOU PODPORU. SOUHLASÍTE S TÍM, ŽE TENTO PRODUKT BUDE POUŽÍVÁN V SOULADU SE VŠEMI PLATNÝMI ZÁKONY A VÝHRADNĚ ODPOVÍDÁTE ZA ZAJIŠTĚNÍ, ŽE VAŠE UŽÍVÁNÍ BUDE V SOULADU S PLATNOU LEGISLATIVOU. ODPOVÍDÁTE ZEJMÉNA ZA POUŽÍVÁNÍ PRODUKTU ZPŮSOBEM, KTERÝ NEPORUŠUJE PRÁVA TŘETÍCH STRAN, COŽ ZAHRNUJE MIMO JINÉ PRÁVO NA OCHRANU OSOBNOSTI, PRÁVO DUŠEVNÍHO VLASTNICTVÍ NEBO PRÁVO NA OCHRANU OSOBNÍCH ÚDAJŮ A DALŠÍ PRÁVA NA OCHRANU SOUKROMÍ. TENTO PRODUKT NESMÍTE POUŽÍVAT K JAKÝMKOLI NEDOVOLENÝM KONCOVÝM ÚČELŮM VČETNĚ VÝVOJE ČI VÝROBY ZBRANÍ HROMADNÉHO NIČENÍ, VÝVOJE NEBO VÝROBY CHEMICKÝCH ČI BIOLOGICKÝCH ZBRANÍ NEBO JAKÝCHKOLI ČINNOSTÍ SOUVISEJÍCÍCH S JADERNÝMI VÝBUŠNINAMI NEBO NEBEZPEČNÝM JADERNÝM PALIVOVÝM CYKLEM ČI K PODPOŘE PORUŠOVÁNÍ LIDSKÝCH PRÁV. V PŘÍPADĚ JAKÉHOKOLI ROZPORU MEZI TÍMTO NÁVODEM A PŘÍSLUŠNÝMI ZÁKONY PLATÍ DRUHÉ ZMÍNĚNÉ.

Zákonné informace

Tyto části se vztahují pouze k výrobkům nesoucím odpovídající označení nebo informaci.

Prohlášení o shodě EU



Tento výrobek, a případně i dodané příslušenství, jsou označeny štítkem „CE“, což znamená, že vyhovují

příslušným harmonizovaným evropským normám uvedeným ve směrnici 2014/30/EU (EMCD) a směrnici 2011/65/EU (RoHS).

Poznámka: Výrobky se vstupním napětím 50 až 1 000 V AC nebo 75 až 1 500 V DC vyhovují

směrnici 2014/35/EU (LVD) a ostatní výrobky vyhovují směrnici 2001/95/ES (GPSD). Přečtěte si informace o konkrétním zdroji napájení.

U zařízení bez dodaného napájecího adaptéru použijte napájecí adaptér dodaný kvalifikovaným výrobcem. Podrobné požadavky na napájení naleznete ve specifikaci výrobku.

U zařízení bez dodané baterie použijte baterii dodanou kvalifikovaným výrobcem. Podrobné požadavky na baterii naleznete ve specifikaci výrobku.



Směrnice 2012/19/EU (směrnice WEEE): Výrobky označené tímto symbolem nelze v Evropské unii

likvidovat společně s netříděným domovním odpadem. Při zakoupení nového ekvivalentního výrobku tento výrobek řádně zrecykluje vrácením svému místnímu dodavateli, nebo jej zlikvidujte odevzdáním v určených sběrných místech. Další informace naleznete na adrese: www.recyclethis.info.



Směrnice 2006/66/ES a její úprava 2013/56/EU (směrnice o bateriích):

Tento výrobek obsahuje baterii, kterou nelze v Evropské unii

likvidovat společně s netříděným domovním odpadem. Konkrétní informace o baterii naleznete v dokumentaci výrobku. Baterie je označena tímto symbolem, který může obsahovat písmena značící kadmium (Cd), olovo (Pb) nebo rtuť (Hg). Za účelem řádné recyklace baterii odevzdejte svému dodavateli nebo na určené sběrné místo. Další informace naleznete na adrese: www.recyclethis.info.

Zamýšlené použití kamery

ATEX: II 3 G Ex ic IIC T6 Gc
II 3 D Ex ic IIIC T85°C Dc

IECEX: Ex ic IIC T6 Gc
Ex ic IIIC T85°C Dc

Stupeň krytí IP: IP54

Normy pro výbušná prostředí:

IEC 60079-0:2017 IEC 60079-11:2011

Certifikáty pro výbušná prostředí:

TÜV 23 ATEX 8963 IECEx TUR 23.0015

Zvláštní podmínky pro bezpečné použití v nebezpečné oblasti:

1. Při používání a údržbě zařízení je zakázáno měnit názvy, modely, specifikace a parametry jiskrově bezpečných obvodů nebo souvisejících součástí.
2. Při demontáži nebo provozu zařízení nezapomeňte odpojit napájení a nepoužívejte zařízení, pokud je zapnuté. Výše uvedené operace

neprovádějte, pokud se zařízení nachází v prostředí s výbušným plynem.

3. Při běžném používání, údržbě a čištění by se zařízení nemělo vznítit v důsledku elektrostatického výboje. Neotírejte zařízení v prostředí s výbušnými plyny. Pokud je nutné zařízení vyměnit nebo otřít, měla by tato činnost být dokončena v prostředí bez výbušných plynů.
4. Nabíjení nebo výměna baterií přístroje je v nebezpečných prostorech zakázána.
5. Zařízení musí být chráněno před vystavením dennímu světlu nebo světlu ze svítidel.
6. Zařízení musí být nabíjeno pouze mimo nebezpečnou oblast a pomocí nabíječky speciálně dodané výrobcem pro používání s tímto zařízením. Rozsah teploty nabíjení je 0 °C až 45 °C.
7. Baterii zařízení nesmí vyměňovat koncoví uživatelé.
8. Na nebezpečném místě musí být port USB typu C ucpán krytem rozhraní.
9. Odolnost vůči nárazu byla testována v souladu s nízkým rizikem mechanického nebezpečí. Zařízení musí být chráněno vůči silným nárazům.

Bezpečnostní pokyny

Účelem těchto pokynů je zajistit, aby uživatel mohl výrobek správně používat a zabránilo se nebezpečí nebo újmě na majetku.

Zákony a předpisy

- Používání výrobku musí být přísně v souladu s místními bezpečnostními předpisy pro elektrická zařízení.

Přeprava

- Při přepravě uchovávejte zařízení v původním nebo jemu podobném balení.
- Po vybalení uchovejte veškeré obaly pro budoucí použití. V případě jakékoli poruchy je třeba vrátit zařízení výrobcí v původním obalu. Přeprava bez původního obalu může vést k poškození zařízení, za které společnost neponese odpovědnost.
- Produkt nevystavujte fyzickým nárazům a zabraňte jeho spadnutí. Udržujte zařízení mimo dosah magnetického rušení.

Napájení

- Vstupní napětí musí dle normy IEC61010-1 splňovat požadavky na omezený zdroj napájení (3,7 V stejnosm., 0,5 A). Podrobné informace naleznete v technických údajích.
- Zkontrolujte, zda je zástrčka řádně zapojena do napájecí zásuvky.
- K jednomu napájecímu adaptéru NEPŘIPOJUJTE více zařízení, abyste zabránili

přehřátí nebo nebezpečí požáru v důsledku přetížení.

- Používejte napájecí adaptér dodaný kvalifikovaným výrobcem. Podrobné požadavky na napájení naleznete ve specifikaci výrobku.

Baterie

- Vestavěnou baterii nelze rozebírat. Je-li třeba ji opravit, obraťte se na výrobce. Pokud je baterie vyměněna za nesprávný typ, může vybuchnout. Baterii nahrazujte pouze stejným nebo odpovídajícím typem. Použité baterie likvidujte dle pokynů poskytnutých výrobcem baterie.
- Používejte baterii dodanou kvalifikovaným výrobcem. Podrobné požadavky na baterii naleznete ve specifikaci výrobku.
- Při dlouhodobém skladování baterii každého půl roku plně nabijte, abyste zajistili zachování její kvality. V opačném případě může dojít k jejímu poškození.
- Zkontrolujte, zda je zástrčka řádně zapojena do napájecí zásuvky.
- Pokud je zařízení vypnuté a baterie RTC je plně nabitá, lze nastavení času uchovat po dobu 4 měsíců.
- Před prvním použitím nabíjete lithiovou baterii po dobu nejméně 8 hodin.

Údržba

- V případě, že výrobek nefunguje správně, obraťte se na prodejce nebo na nejbližší servisní středisko. Nepřebíráme žádnou odpovědnost za problémy způsobené neoprávněnou opravou nebo údržbou.
- V případě potřeby zařízení jemně otřete čistým hadříkem navlhčeným malým množstvím etanolu.
- V případě použití zařízení způsobem jiným než určeným výrobcem může dojít ke zrušení platnosti záruky.
- Vaše kamera bude pravidelně provádět samokalibraci, aby optimalizovala kvalitu obrazu a přesnost měření. Během tohoto procesu se obraz na okamžik zastaví a uslyšíte „cvaknutí“, způsobené pohybem závěrky před detektorem. K samokalibraci dochází častěji při spouštění nebo ve velmi chladném či teplém prostředí. Jde o běžné chování kamery při provozu, které zajišťuje její optimální výkon.

Služba kalibrace

- Doporučujeme, abyste zařízení zasílali jednou za rok zpět ke kalibraci. Informace o místech nabízejících údržbu vám poskytne místní prodejce. Podrobnější informace o službách kalibrace naleznete na webu <https://www.hikmicrotech.com/en/support/calibration-service.html>.

Provozní prostředí

- Zajistěte, aby provozní prostředí vyhovovalo požadavkům zařízení. Provozní teplota musí být -20 °C až 40 °C a vlhkost musí být max. 95 %.
- Umístěte zařízení na suché a dobře větrané místo.
- NEVYSTAVUJTE zařízení silnému elektromagnetickému záření ani prašnému prostředí.
- NEMÍŘTE objektivem do slunce ani do jiného zdroje jasného světla.
- Používá-li se nějaké laserové zařízení, zajistěte, aby nebyl objektiv zařízení vystaven laserovému paprsku. V opačném případě by se mohl vypálit.

Technická podpora

Web <https://www.hikmicrotech.com/en/contact-us.html> vám jako zákazníkům společnosti HIKMICRO pomůže získat z vašich produktů HIKMICRO co nejvíc. Na portálu máte přístup k týmu podpory, softwaru a dokumentaci, kontaktním údajům servisu atd.

Stav nouze

Pokud ze zařízení vychází kouř, zápach nebo hluk, zařízení okamžitě vypněte, odpojte napájecí kabel a obraťte se na servisní středisko.

Adresa výrobce

Místnost 313, jednotka B, budova 2, ulice Danfeng 399, podobvod Xixing, obvod Binjiang, Hangzhou, Zhejiang 310052, Čína
Hangzhou Microimage Software Co., Ltd.

POZNÁMKA O DODRŽOVÁNÍ PŘEDPISŮ: Na výrobky termální řady se mohou vztahovat vývozní opatření v různých zemích nebo regionech včetně, mimo jiné, Spojených států, Evropské unie, Spojeného království a dalších členských států Wassenaarského ujednání. Máte-li v úmyslu přenášet, exportovat nebo opětovně exportovat výrobky termální řady mezi různými zeměmi, obraťte se na profesionálního právníka, odborníka v oblasti dodržování předpisů nebo místní úřady, aby vám sdělili všechny nezbytné licenční požadavky pro export.

Slovenčina

1. Stručný opis

Ručná termografická kamera s plastovým pláštěm sa používa najmä v prostredí s výbušnými plynmi inými ako metán.

2. Vzhľad (Strana 1)

Vzhľad zariadenia sa môže líšiť v závislosti od rôznych modelov. Na referenčné účely použite skutočný výrobok.

Tlačidlá a rozhrania

Číslo	Popis	Funkcia
1	Obrazovka	Zobrazenie so živým náhľadom.
2	Indikátor nabíjania	<ul style="list-style-type: none">• Neprerušovaná červená: Nabíjanie prebieha normálne.• Neprerušovaná zelená: Plne nabité.
3	Kláves napájania	<ul style="list-style-type: none">• Stlačenie: Zobrazenie ponuky alebo potvrdenie operácie.• Podržanie: Zapnutie/vypnutie napájania.
4	Tlačidlo späť	Ukončenie ponuky alebo návrat do predchádzajúcej ponuky.
5	Bzučiak	Výstupný zvukový alarm.
6	Navigačné tlačidlo	Výber parametrov stlačením.
7	Optický objektív	Zobrazenie optického obrazu.
8	Termografický objektív	Zobrazenie tepelného obrazu.
9	Svetlo LED	Zvyšuje jas okolitého osvetlenia v tmavom prostredí.
10	Spínač ochrany objektívu	Montáž a demontáž chrániča objektívu.
11	Spúšť	<ul style="list-style-type: none">• V rozhraní živého náhľadu stlačte spúšť na zachytenie snímok.• V režime ponuky stlačením spúšte prejdete späť na živé zobrazenie.
12	Bod na upevnenie trojnožky	Slúži na upevnenie trojnožky.
13	Bod na pripojenie popruhu na zápästie	Slúži na upevnenie popruhu na zápästie.

14	Rozhranie Type-C	Nabíjajte zariadenie alebo exportujte súbory pomocou kábla USB typu A na typ C.
----	------------------	---

3. Nabíjanie zariadenia

Po spustení zariadenia sa na obrazovke (OSD) zobrazí stav batérie. Ak je batéria slabá, zariadenie nabíjate, čím zabezpečíte jeho správnu činnosť.

Pri prvom nabíjaní nabíjajte zariadenie viac ako 8 hodín po zapnutí zariadenia.

Postup

1. Zdvihnite kryt na konektore typu C.
2. Pripojte kábel USB typu A na typ C a nabíjajte zariadenie.

Návod na používanie



Právne informácie

Informácie o tomto návode

Táto príručka obsahuje pokyny na používanie a správu produktu. Obrázky, grafy, nákresy a všetky ďalšie informácie, ktoré sú v ňom uvedené, slúžia len na opis a vysvetlenie.

Informácie uvedené v návode sa môžu zmeniť bez predchádzajúceho upozornenia v dôsledku aktualizácií firmvéru alebo iných príčin. Najnovšiu verziu tejto príručky nájdete na webovej lokalite HIKMICRO (www.hikmicrotech.com).

Používajte tento návod v súlade s pokynmi a radami odborníkov, ktorí sú vyškolení na obsluhu produktu.

Táto príručka sa vzťahuje na nasledujúce modely: HM-TP52N-3AQF-BX20, BX20, HM-TP5XY-ABCDEF, HM-TP5A-XY, HM-TP51N-3AQF, HM-TP53N-3AQF, HM-TP5XN-A, HM-TP5AB-XY, HM-TP5AB-XYZ, HM-TP5XY-AB, HM-TP5XY-A.

PRÁVNE VYHLÁSENIE O VYLÚČENÍ ZODPOVEDNOSTI

V MAXIMÁLNO M ŽIADNE VÝSLOVNÉ ANI PREDPOKLADANÉ ZÁRUKY, OKREM INÉHO O PREDAJNOSTI, USPOKOJIVEJ KVALITE ALEBO VHODNOSTI NA KONKRÉTNY ÚČEL. POUŽÍVANIE

PRODUKTU JE NA VAŠE VLASTNÉ RIZIKO. SPOLOČNOSŤ HIKMICRO V ŽIADNOM PRÍPADE NENESIE ZODPOVEDNOSŤ ZA ŽIADNE OSOBNÉ, NÁSLEDNÉ, NÁHODNÉ ALEBO NEPRIAME ŠKODY, OKREM INÉHO VRÁTANE ŠKÔD Z UŠLÉHO PODNIKATEĽSKÉHO ZISKU, PRERUŠENIA PODNIKANIA, STRATY ÚDAJOV, POŠKODENIA SYSTÉMOV ALEBO STRATY DOKUMENTÁCIE, ČI UŽ NA ZÁKLADE PORUŠENIA ZMLUVY, PREČINU (VRÁTANE NEDBALOSTI), ZODPOVEDNOSTI ZA PRODUKT ALEBO INAK V SÚVISLOSTI S POUŽÍVANÍM PRODUKTU, A TO ANI V PRÍPADE, AK BOLA SPOLOČNOSŤ HIKMICRO UPOZORNENÁ NA MOŽNOSŤ TAKÝCHTO ŠKÔD.

UZNÁVATE, ŽE Z POVAHY INTERNETU VYPLÝVAJÚ INHERENTNÉ BEZPEČNOSTNÉ RIZIKÁ A SPOLOČNOSŤ HIKMICRO NENESIE ŽIADNU ZODPOVEDNOSŤ ZA NEŠTANDARDNÚ PREVÁDZKU, ÚNIK OSOBNÝCH ÚDAJOV ANI ZA INÉ ŠKODY V DÔSLEDKU KYBERNETICKÉHO ÚTOKU, HAKERSKÉHO ÚTOKU, VÍRUSOVEJ INFEKČIE ALEBO INÝCH BEZPEČNOSTNÝCH RIZÍK SIETE INTERNET; V PRÍPADE POTREBY VŠAK SPOLOČNOSŤ HIKMICRO POSKYTNE VČASNÚ TECHNICKÚ PODPORU.

SÚHLASÍTE S POUŽÍVANÍM TOHTO PRODUKTU V SÚLADE SO VŠETKÝMI PRÍSLUŠNÝMI ZÁKONMI A NESIETE VÝHRADNÚ ZODPOVEDNOSŤ ZA ZABEZPEČENIE, ABY VAŠE POUŽÍVANIE BOLO V SÚLADE S PRÍSLUŠNÝMI ZÁKONMI. STE OBZVLÁŠŤ ZODPOVEDNÍ ZA POUŽÍVANIE TOHTO PRODUKTU SPÔSOBOM, KTORÝ NEPORUŠUJE PRÁVA TRETÍCH STRÁN, OKREM INÉHO PRÁVA PUBLICITY, PRÁVA DUŠEVNÉHO VLASTNÍCTVA, PRÁVA NA OCHRANU ÚDAJOV A INÉ PRÁVA NA OCHRANU SÚKROMIA. TENTO PRODUKT NESMIETE POUŽÍVAŤ NA ŽIADNE ZAKÁZANÉ ÚČELY VRÁTANE VÝVOJA ALEBO VÝROBY ZBRANÍ HROMADNÉHO NIČENIA, VÝVOJA ALEBO VÝROBY CHEMICKÝCH ALEBO BIOLOGICKÝCH ZBRANÍ, AKÝCHKOL'VEK AKTIVÍT V SÚVISLOSTI S AKOUKOL'VEK JADROVOU VÝBUŠNINOU ALEBO NEBEZPEČNÝM CYKLOM JADROVÉHO PALIVA, ALEBO NA PODPORU ZNEUŽÍVANIA ĽUDSKÝCH PRÁV. V PRÍPADE AKÉHOKOL'VEK NESÚLADU MEDZI TOUTO PRÍRUČKOU A PRÍSLUŠNÝMI PRÁVNÝMI PREDPISMI MAJÚ PREDNOSŤ PRÍSLUŠNÉ PRÁVNE PREDPISY.

Regulačné informácie

Tieto ustanovenia platia len pre produkty s príslušným označením alebo údajom.

Vyhĺasenie o zhode s predpismi EÚ



Tento produkt a dodané príslušenstvo, ak je to relevantné, sú takisto označené značkou „CE“, takže sú v súlade

s príslušnými harmonizovanými európskymi normami uvedenými v smernici 2014/30/EÚ (EMCD) a smernici 2011/65/EÚ (RoHS).

Poznámka: Produkty so vstupným napätím v rozsahu 50 až 1000 V striedavého prúdu alebo 75 až 1500 V jednosmerného prúdu sú v súlade so smernicou 2014/35/EÚ (LVD) a ostatné produkty sú v súlade so smernicou 2001/95/ES (GPSD). Prečítajte si informácie o konkrétnom zdroji napájania.

Ak vaše zariadenie bolo dodané bez napájacieho adaptéra, používajte napájací adaptér dodaný kvalifikovaným výrobcom. Podrobné požiadavky na napájanie nájdete v špecifikácii výrobku.

Ak vaše zariadenie bolo dodané bez batérie, používajte batériu dodanú kvalifikovaným výrobcom. Podrobné požiadavky na batériu nájdete v špecifikácii výrobku.



Smernica 2012/19/EÚ (smernica o odpade z elektrických a elektronických zariadení): Produkty označené týmto symbolom sa v rámci

Európskej únie nesmú likvidovať spolu s netriedeným komunálnym odpadom. Po zakúpení ekvivalentného nového zariadenia zrecyklujte produkt tým, že ho odovzdáte miestnemu dodávateľovi alebo ho zlikvidujete na určených zberných miestach. Ďalšie informácie nájdete na lokalite: www.recyclethis.info



Smernica 2006/66/ES a príslušné doplnenia 2013/56/EÚ (smernica o batériách): Tento produkt obsahuje batériu, ktorá sa v rámci Európskej

únie nesmie likvidovať spolu s netriedeným komunálnym odpadom. Konkrétne informácie o batérii nájdete v dokumentácii produktu. Batéria je označená týmto symbolom, ktorý môže obsahovať písmená označujúce obsah kadmia (Cd), olova (Pb) alebo ortuti (Hg). Zrecyklujte batériu tým, že ju odovzdáte dodávateľovi alebo ju zlikvidujete na určenom zbernom mieste. Ďalšie informácie nájdete na lokalite: www.recyclethis.info.

Určené použitie kamery

ATEX: II 3 G Ex ic IIC T6 Gc
II 3 D Ex ic IIIC T85°C Dc

IECEX: Ex ic IIC T6 Gc
Ex ic IIIC T85°C Dc

Stupeň IP: IP54

Normy Ex:

IEC 60079-0:2017 IEC 60079-11:2011

Certifikát Ex:

TÜV 23 ATEX 8963 IECEx TUR 23.0015

Špeciálne podmienky pre bezpečné použitie v rizikovej oblasti:

1. Pri používaní a údržbe zariadenia je zakázané meniť názvy, modely, špecifikácie a parametre vnútorných bezpečných obvodov alebo súvisiacich komponentov.
2. Pri demontáži alebo prevádzke zariadenia dbajte na to, aby ste odpojili napájanie a nepoužívali zariadenie, keď je zapnuté. Uvedené činnosti nevykonávajte, ak sa zariadenie nachádza v prostredí s výbušným plynom.
3. Počas bežného používania, údržby a čistenia zariadenia by sa malo zabrániť vznieteniu spôsobenému elektrostatickým výbojom. Neutierajte zariadenie v prostredí s výbušným plynom. Ak je potrebné zariadenie vymeniť alebo utrieť, malo by sa to dokončiť v prostredí bez výbušného plynu.
4. Nabíjanie alebo výmena batérií zariadenia sú v nebezpečných priestoroch zakázané.
5. Zariadenie je potrebné chrániť pred vystavením dennému svetlu alebo svetlu svietidiel.
6. Zariadenie sa môže nabíjať len v prostredí bez rizika pomocou nabíjačky dodávanej výrobcom konkrétne na používanie s touto jednotkou. Teplota pri nabíjaní musí byť v rozsahu 0 °C až 45 °C.
7. Batériu zariadenia nesmú vymieňať koncoví používatelia.
8. Kryt rozhrania chráni port USB typu C v rizikovom prostredí.
9. Odolnosť voči nárazu bola testovaná v súlade s nízkym rizikom mechanického nebezpečenstva. Zariadenie je potrebné chrániť pred silným nárazom.

Bezpečnostné pokyny

Tieto pokyny slúžia na zabezpečenie správneho používania produktu používateľom s cieľom predchádzať vzniku nebezpečenstva alebo majetkovým stratám.

Právne predpisy a nariadenia

- Používanie produktu musí byť v prísnom súlade s miestnymi elektroinštaláčnymi bezpečnostnými predpismi.

Preprava

- Pri preprave ponechajte zariadenie v pôvodnom alebo podobnom balení.
- Po rozbalení si všetky obaly odložte na budúce použitie. V prípade výskytu poruchy bude potrebné, aby ste zariadenie vrátili do výrobcovi v pôvodnom obale. Pri preprave bez pôvodného obalu môže dôjsť k poškodeniu zariadenia a spoločnosť za to nebude niesť žiadnu zodpovednosť.

- Chráňte zariadenie pred pádom alebo nárazom. Zariadenie chráňte pred magnetickým rušením.

Zdroj napájania

- Vstupné napätie musí spĺňať podmienky veľmi nízkeho napätia (3,7 V jednosmerné, 0,5 A) podľa normy IEC61010-1. Podrobné informácie nájdete v technických špecifikáciách.
- Skontrolujte, či je zástrčka správne pripojená k napájacej zásuvke.
- K jednému napájaciemu adaptéru NEPRIPÁJAJTE viacero zariadení, aby nedošlo k prehriatiu alebo riziku požiaru v dôsledku preťaženia.
- Používajte napájací adaptér dodaný kvalifikovaným výrobcom. Podrobné požiadavky na napájanie nájdete v špecifikácii výrobku.

Batéria

- Zabudovanú batériu nemožno rozoberať. V prípade potreby opravy sa obráťte na výrobcu. Batéria môže vybuchnúť v prípade jej výmeny za nesprávny typ. Batériu nahrádzajte iba rovnakým alebo ekvivalentným typom. Použité batérie zlikvidujte podľa pokynov výrobcu batérie.
- Používajte batériu dodanú kvalifikovaným výrobcom. Podrobné požiadavky na batériu nájdete v špecifikácii výrobku.
- Pri dlhodobom uskladnení batériu každý polrok úplne nabite, čím zaistíte jej kvalitu. V opačnom prípade môže dôjsť k poškodeniu.
- Skontrolujte, či je zástrčka správne pripojená k napájacej zásuvke.
- Keď má zariadenie vypnuté napájanie a batéria RTC je plne nabitá, nastavenie času možno uchovať 4 mesiace.
- Pred prvým použitím nabíjajte lítiovú batériu viac ako 8 hodín.

Údržba

- Ak produkt nepracuje správne, obráťte sa na predajcu alebo na najbližšie servisné stredisko. Nepreberáme žiadnu zodpovednosť za problémy spôsobené neoprávnenou opravou alebo údržbou.
- V prípade potreby zariadenie jemne utrite čistou handričkou a malým množstvom etanolu.
- Ak sa zariadenie používa spôsobom, ktorý výrobca neuvádza, môže dôjsť k zníženiu ochrany poskytovanej zariadením.
- Váš fotoaparát bude pravidelne vykonávať samokalibráciu na optimalizáciu kvality obrazu a presnosti merania. Pri tomto postupe sa obraz nakrátko zastaví a budete počuť „cvaknutie“, keď sa bude uzávierka pohybovať

pred detektorom. Samokalibrácia bude častejšia počas spúšťania alebo vo veľmi chladnom alebo horúcom prostredí. Ide o bežnú súčasť činnosti na zabezpečenie optimálneho výkonu kamery.

Kalibračná služba

- Odporúčame vám odoslať zariadenie späť na kalibráciu raz ročne, pričom ďalšie informácie o miestach údržby vám poskytne miestny predajca. Ďalšie informácie o kalibračných službách nájdete na lokalite <https://www.hikmicrotech.com/en/support/calibration-service.html>.

Prevádzkové prostredie

- Zabezpečte, aby prevádzkové prostredie spĺňalo požiadavky zariadenia. Prevádzková teplota má byť -20 °C až 40 °C (-4 °F až 104 °F), vlhkosť nesmie byť vyššia ako 95 %.
- Zariadenie umiestnite v suchom a dobre vetranom prostredí.
- Zariadenie NEVYSTAVUJTE silnému elektromagnetickému žiareniu ani prašnému prostrediu.
- Šošovkou NEMIERTE na slnko ani na žiadny iný silný zdroj svetla.
- Pri používaní akéhokoľvek laserového vybavenia zabezpečte, aby objektív zariadenia nebol vystavený laserovému lúču, inak sa môže vypáliť.

Technická podpora

<https://www.hikmicrotech.com/en/contact-us.html> – na tejto adrese, ako zákazník spoločnosti HIKMICRO, nájdete pomoc, aby ste zo svojich produktov HIKMICRO vyťažili maximum. Portál vám poskytuje prístup k tímu technickej podpory, softvéru a dokumentácii, servisným kontaktom atď.

Núdzový režim

Ak zo zariadenia vychádza dym, zápach alebo hluk, ihneď vypnite napájanie, odpojte napájací kábel a obráťte sa na servisné stredisko.

Adresa výrobcu

Miestnosť 313, Krídlo B, Budova 2, Ulica Danfeng 399, Obvod Xixing, Okres Binjiang, Hangzhou, Zhejiang 310052, Čína
Hangzhou Microimage Software Co., Ltd.

POZNÁMKA O SÚLADE S PREDPISMI: Produkty z radu teplocitlivých prístrojov môžu podliehať exportnej regulácii v rôznych krajinách alebo regiónoch vrátane napríklad Spojených štátov amerických, Európskej únie, Spojeného kráľovstva prípadne aj krajín Wassenaarskeho usporiadania. Ak máte v úmysle prenášať, exportovať alebo re-

exportovať produkty z radu teplocitlivých prístrojov cez hranice medzi rôznymi krajinami, poraďte sa so svojim odborným expertom na legislatívu alebo súlad s predpismi alebo miestnymi úradmi verejnej správy, či existuje povinnosť mať exportné povolenie.

Polski

1. Opis urządzenia

Ręczna kamera termowizyjna w obudowie z tworzywa sztucznego jest używana przede wszystkim w środowiskach, w których występują gazy wybuchowe inne niż metan.

2. Elementy urządzenia (str. 1)

Wygląd urządzenia jest zależny od modelu. Skorzystaj z dokumentacji danego produktu.

Elementy urządzenia

Numer	Opis	Funkcja
1	Ekran	Wyświetlanie podglądu na żywo.
2	Wskaźnik ładowania	<ul style="list-style-type: none"> ● Włączony (czerwony): prawidłowe ładowanie. ● Włączony (zielony): pełne naładowanie.
3	Przycisk zasilania	<ul style="list-style-type: none"> ● Naciśnięcie: wyświetlanie menu lub potwierdzanie operacji. ● Naciśnięcie i przytrzymanie: włączanie/wyłączenie zasilania.
4	Przycisk Wstecz	Zamykanie menu lub ponowne wyświetlanie poprzedniego menu.
5	Brzęczyk	Alarm dźwiękowy.
6	Przycisk nawigacyjny	Naciśnij, aby wybrać ustawienia.
7	Obiektyw optyczny	Wyświetlanie obrazu w świetle widzialnym.
8	Obiektyw termowizyjny	Wyświetlanie obrazu w podczerwieni.
9	Oświetlenie LED	Zapewnianie większej intensywności światła przy niedostatecznym oświetleniu w otoczeniu.

10	Przełącznik zabezpieczenia obiektywu	Instalowanie lub zdejmowanie osłony obiektywu.
11	Przycisk kamery	<ul style="list-style-type: none"> ● Gdy wyświetlany jest podgląd na żywo, naciśnij przycisk kamery, aby wykonać zdjęcia. ● W trybie menu naciśnij przycisk kamery, aby ponownie wyświetlić podgląd na żywo.
12	Złącze statywu	Mocowanie statywu.
13	Zaczepek paska na nadgarstek	Mocowanie paska na nadgarstek.
14	Złącze Type-C	Ładowanie baterii urządzenia lub eksportowanie plików przy użyciu przewodu USB z wtykami typu A i Type-C.

3. Ładowanie baterii urządzenia

Po uruchomieniu urządzenia w nakładce ekranowej (OSD) wyświetlane są informacje o stanie baterii. Gdy poziom naładowania baterii jest niski, należy naładować baterię, aby umożliwić prawidłowe funkcjonowanie urządzenia.

Podczas pierwszego ładowania należy włączyć urządzenie i ładować jego baterię przez co najmniej osiem godzin.

Procedura

1. Podnieś pokrywę złącza Type-C.
2. Podłącz przewód USB z wtykami typu A i Type-C i naładuj baterię urządzenia.

Podręcznik użytkownika



Informacje prawne

Opis podręcznika

Podręcznik zawiera instrukcje dotyczące korzystania z produktu i obchodzenia się z nim. Zdjęcia, rysunki, wykresy i pozostałe informacje

zamieszczono w tym dokumencie wyłącznie dla celów informacyjnych i opisowych. Informacje zamieszczone w podręczniku mogą ulec zmianie bez powiadomienia w związku z aktualizacjami oprogramowania układowego lub w innych okolicznościach. Najnowsza wersja tego podręcznika jest dostępna w witrynie internetowej firmy HIKMICRO (www.hikmicrotech.com).

Oprócz tego podręcznika należy korzystać z porad specjalistów z działu pomocy technicznej związanej z produktem.

Ten podręcznik dotyczy następujących modeli: HM-TP52N-3AQF-BX20, BX20, HM-TP5XY-ABCDEF, HM-TP5A-XY, HM-TP51N-3AQF, HM-TP53N-3AQF, HM-TP5XN-A, HM-TP5AB-XY, HM-TP5AB-XYZ, HM-TP5XY-AB, HM-TP5XY-A.

ZASTRZEŻENIA PRAWNE

W PEŁNYM ZAKRESIE DOZWOLONYM PRZEZ OBOWIĄZUJĄCE PRAWO TEN PODRĘCZNIK, OPISANY PRODUKT I ZWIĄZANE Z NIM WYPOSAŻENIE ORAZ OPROGRAMOWANIE APLIKACYJNE I UKŁADOWE SĄ UDOSTĘPNIANE NA ZASADACH „AS IS” BEZ GWARANCJI BRAKU USTEREK I BŁĘDÓW („WITH ALL FAULTS AND ERRORS”). FIRMA HIKMICRO NIE UDZIELA ŻADNYCH WYRAŹNYCH ANI DOROZUMIANYCH GWARANCJI, TAKICH JAK GWARANCJE DOTYCZĄCE PRZYDATNOŚCI HANDLOWEJ, JAKOŚCI LUB PRZYDATNOŚCI DO OKREŚLONEGO CELU.

UŻYTKOWNIK KORZYSTA Z PRODUKTU NA WŁASNE RYZYKO.

NIEZALEŻNIE OD OKOLICZNOŚCI FIRMA HIKMICRO NIE PONOSI ODPOWIEDZIALNOŚCI ZA STRATY SPECJALNE, NASTĘPCZE, UBOCZNE LUB POŚREDNIE, TAKIE JAK STRATA OCZEKIWANYCH ZYSKÓW Z DZIAŁALNOŚCI BIZNESOWEJ, PRZERWY W DZIAŁALNOŚCI BIZNESOWEJ, USZKODZENIE SYSTEMÓW ALBO STRATA DANYCH LUB DOKUMENTACJI, WYNIKAJĄCE Z NARUSZENIA UMOWY, PRZEWINIENIA (ŁĄCZNIE Z ZANIEDBANIEM), ODPOWIEDZIALNOŚCI ZA PRODUKT LUB INNYCH OKOLICZNOŚCI, ZWIĄZANE Z UŻYCIEM TEGO PRODUKTU, NAWET JEŻELI FIRMA HIKMICRO ZOSTAŁA POINFORMOWANA O MOŻLIWOŚCI WYSTĄPIENIA TAKICH SZKÓD LUB STRAT. UŻYTKOWNIK PRZYJMUJE DO WIADOMOŚCI, ŻE KORZYSTANIE Z INTERNETU JEST ZWIĄZANE Z ZAGROŻENIAMI DLA BEZPIECZEŃSTWA, A FIRMA HIKMICRO NIE PONOSI ODPOWIEDZIALNOŚCI ZA NIEPRAWIDŁOWE FUNKCJONOWANIE, WYCIEK POUFNYCH INFORMACJI LUB INNE SZKODY WYNIKAJĄCE Z ATAKU CYBERNETYCZNEGO, ATAKU HAKERA, DZIAŁANIA WIRUSÓW LUB INNYCH ZAGROŻEŃ DLA BEZPIECZEŃSTWA W INTERNECIE. FIRMA HIKMICRO ZAPEWNI JEDNAK POMOC

TECHNICZNĄ W ODPOWIEDNIM CZASIE, JEŻELI BĘDZIE TO WYMAGANE. UŻYTKOWNIK ZOBOWIĄDUJE SIĘ DO KORZYSTANIA Z PRODUKTU ZGODNIE Z PRZEPISAMI I PRZYJMUJE DO WIADOMOŚCI, ŻE JEST ZOBOWIĄZANY DO ZAPEWNIENIA ZGODNOŚCI UŻYCIA PRODUKTU Z PRZEPISAMI. W SZCZEGÓLNOŚCI UŻYTKOWNIK JEST ZOBOWIĄZANY DO KORZYSTANIA Z PRODUKTU W SPOSÓB, KTÓRY NIE NARUSZA PRAW STRON TRZECICH, DOTYCZĄCYCH NA PRZYKŁAD WIZERUNKU KOMERCYJNEGO, WŁASNOŚCI INTELEKTUALNEJ LUB OCHRONY DANYCH I PRYWATNOŚCI. UŻYTKOWNIK NIE BĘDZIE UŻYWAĆ PRODUKTU DO CELÓW ZABRONIONYCH, TAKICH JAK OPRACOWANIE LUB PRODUKCJA BRONI MASOWEGO RAŻENIA ALBO BRONI CHEMICZNEJ LUB BIOLOGICZNEJ ORAZ DZIAŁANIA ZWIĄZANE Z WYBUCHOWYMI MATERIAŁAMI NUKLEARNYMI, NIEBEZPIECZNYM NUKLEARNYM CYKLEM PALIWOWYM LUB ŁAMANIEM PRAW CZŁOWIEKA.

W PRZYPADKU NIEZGODNOŚCI NINIEJSZEGO PODRĘCZNIKA Z OBOWIĄZUJĄCYM PRAWEM WYŻSZY PRIORYTET BĘDZIE MIAŁO OBOWIĄZUJĄCE PRAWO.

Informacje dotyczące przepisów

Te klauzule dotyczą tylko produktów z odpowiednimi oznaczeniami lub etykietami.

Deklaracja zgodności z dyrektywami UE



Ten produkt i ewentualnie dostarczone razem z nim akcesoria oznaczono symbolem „CE” potwierdzającym zgodność z odpowiednimi ujednoczonymi normami europejskimi, uwzględnionymi w dyrektywie 2014/30/EU (EMCD) i dyrektywie 2011/65/EU (RoHS).

Uwaga: Produkty przystosowane do napięcia wejściowego 50 – 1000 V AC lub 75 – 1500 V DC są zgodne z dyrektywą 2014/35/EU (LVD), a pozostałe produkty są zgodne z dyrektywą 2001/95/EC (GPSD). Należy sprawdzić specyfikacje zasilania urządzenia.

W przypadku urządzeń dostarczanych bez zasilacza należy użyć markowego zasilacza. Aby uzyskać więcej informacji dotyczących wymaganego zasilania, należy skorzystać ze specyfikacji produktu.

W przypadku urządzeń dostarczanych bez baterii należy użyć markowej baterii. Aby uzyskać więcej informacji dotyczących wymaganej baterii, należy skorzystać ze specyfikacji produktu.



Dyrektywa 2012/19/EU w sprawie zużytego sprzętu elektrycznego i elektronicznego (WEEE):



Produktów oznaczonych

tym symbolem nie wolno utylizować na obszarze Unii Europejskiej jako niesegregowane odpady komunalne. Aby zapewnić prawidłowy recykling tego produktu, należy zwrócić go do lokalnego dostawcy przy zakupie równoważnego nowego urządzenia lub utylizować go w wyznaczonym punkcie selektywnej zbiórki odpadów. Aby uzyskać więcej informacji, skorzystaj z witryny internetowej www.recyclethis.info.



Dyrektywa 2006/66/EC w sprawie baterii i akumulatorów i zmieniająca ją dyrektywa 2013/56/EU:

Ten produkt zawiera baterię, której nie wolno utylizować na obszarze Unii Europejskiej jako niesegregowane odpady komunalne. Szczegółowe informacje dotyczące baterii zamieszczono w dokumentacji produktu. Bateria jest oznaczona tym symbolem, który może także zawierać litery wskazujące na zawartość kadmu (Cd), ołowiu (Pb) lub rtęci (Hg). Aby zapewnić prawidłowy recykling baterii, należy zwrócić ją do dostawcy lub przekazać do wyznaczonego punktu zbiórki. Aby uzyskać więcej informacji, skorzystaj z witryny internetowej www.recyclethis.info.

Zastosowania kamery

ATEX: II 3 G Ex ic IIC T6 Gc
II 3 D Ex ic IIIC T85°C Dc

IECEX: Ex ic IIC T6 Gc
Ex ic IIIC T85°C Dc

Stopień IP: IP54

Normy Ex:

IEC 60079-0:2017 IEC 60079-11:2011

Certyfikat Ex:

TÜV 23 ATEX 8963 IECEX TUR 23.0015

Specjalne zalecenia dotyczące bezpiecznego użytkowania w strefach niebezpiecznych:

1. Zabroniona jest zmiana nazw, modeli, specyfikacji i ustawień wbudowanych układów zabezpieczających i powiązanych z nimi elementów podczas użytkowania lub konserwowania urządzenia.
2. Podczas demontowania lub użytkowania urządzenia należy odłączyć zasilanie. Nie wolno użytkować urządzenia, gdy jest ono podłączone do źródła zasilania. Nie wolno wykonywać powyższych operacji, jeżeli w otoczeniu urządzenia występują gazy wybuchowe.

3. Urządzenie nie powinno powodować zapłonu na skutek wyładowań elektrostatycznych podczas normalnego użytkowania, konserwowania i czyszczenia. Nie wolno wycierać urządzenia, gdy w jego otoczeniu występują gazy wybuchowe. Jeżeli konieczna jest wymiana lub wytarcie urządzenia, należy wykonać tę czynności w miejscu, w którym nie występują gazy wybuchowe.

4. Zabronione jest ładowanie lub wymiana baterii urządzenia w lokalizacjach, w których występują zagrożenia.

5. Należy chronić urządzenie przed intensywnym światłem słonecznym lub sztucznym.

6. Bateria urządzenia powinna być ładowana wyłącznie w bezpiecznych warunkach otoczenia przy użyciu ładowarki dostarczonej przez producenta urządzenia. Podczas ładowania temperatura otoczenia nie powinna należeć do zakresu od 0°C do 45°C.

7. Nie wolno samodzielnie wymieniać baterii urządzenia.

8. Pokrywa chroni złącze USB Type-C w niebezpiecznych lokalizacjach.

9. Odporność na udary testowano z uwzględnieniem niskiego ryzyka zagrożenia mechanicznego. Należy chronić urządzenie przed silnymi udarami.

Zalecenia dotyczące bezpieczeństwa

Te zalecenia umożliwiają prawidłowe korzystanie z produktu i zapobieganie zagrożeniu użytkowników lub zniszczeniu wyposażenia.

Przepisy i rozporządzenia

- Produkt powinien być użytkowany zgodnie z lokalnymi rozporządzeniami dotyczącymi bezpiecznego korzystania z urządzeń elektrycznych.

Transport

- Podczas transportu urządzenie powinno być umieszczone w oryginalnym lub podobnym opakowaniu.
- Należy zachować opakowanie urządzenia. W przypadku wystąpienia usterki urządzenia należy zwrócić je do zakładu produkcyjnego w oryginalnym opakowaniu. Producent nie ponosi odpowiedzialności za uszkodzenie urządzenia na skutek transportu bez oryginalnego opakowania.
- Należy chronić urządzenie przed upadkiem lub udarami mechanicznymi. Należy chronić urządzenie przed zakłóceniami magnetycznymi.

Zasilanie

- Napięcie wejściowe powinno spełniać wymagania dotyczące źródeł zasilania z własnym ograniczeniem (LPS; 3,7 V DC, 0,5 A) zgodnie z normą IEC61010-1. Szczegółowe informacje zamieszczono w sekcji zawierającej dane techniczne.
- Należy upewnić się, że wtyczka jest prawidłowo podłączona do gniazda sieci elektrycznej.
- NIE wolno podłączać wielu urządzeń do jednego zasilacza, ponieważ może to spowodować przegrzanie lub zagrożenie pożarowe na skutek przeciążenia.
- Należy korzystać z zasilacza dostarczonego przez wykwalifikowanego producenta. Aby uzyskać więcej informacji dotyczących wymaganego zasilania, należy skorzystać ze specyfikacji produktu.

Bateria

- Wbudowana bateria nie jest przystosowana do demontażu przez użytkownika. Jeżeli konieczne jest wykonanie naprawy, należy skontaktować się z producentem. Zainstalowanie nieodpowiedniej baterii może spowodować wybuch. Baterie należy wymieniać tylko na baterie tego samego typu lub ich odpowiedniki. Zużyte baterie należy utylizować zgodnie z zaleceniami producenta.
- Należy korzystać z baterii dostarczanych przez markowego producenta. Aby uzyskać więcej informacji dotyczących wymaganej baterii, należy skorzystać ze specyfikacji produktu.
- Jeżeli bateria jest przechowywana przez dłuższy czas, należy naładować ją całkowicie co pół roku, aby zapewnić jej prawidłowy stan techniczny. Ignorowanie tego zalecenia może spowodować uszkodzenie.
- Należy upewnić się, że wtyczka jest prawidłowo podłączona do gniazda sieci elektrycznej.
- Gdy zasilanie urządzenia jest wyłączone, a bateria zegara RTC jest całkowicie naładowana, ustawienia zegara są przechowywane przez cztery miesiące.
- Przed pierwszym użyciem należy ładować baterię litową przez ponad osiem godzin.

Konserwacja

- Jeżeli produkt nie działa prawidłowo, skontaktuj się z dystrybutorem lub najbliższym centrum serwisowym. Producent nie ponosi odpowiedzialności za problemy spowodowane przez nieautoryzowane prace naprawcze lub konserwacyjne.

- Należy przetrzeć urządzenie ostrożnie czystą ściereczką zwilżoną niewielką ilością etanolu, jeżeli jest to konieczne.
- Użycie urządzenia niezgodnie z zaleceniami może spowodować anulowanie gwarancji producenta.
- Kamera okresowo automatycznie wykonuje kalibrację, aby zoptymalizować jakość obrazu i dokładność pomiarów. W tym procesie obraz jest na chwilę wstrzymywany i emitowany jest dźwięk kliknięcia sygnalizujący przesunięcie migawki przed detektorem. Automatyczna kalibracja jest wykonywana częściej podczas rozruchu albo przy bardzo niskiej lub bardzo wysokiej temperaturze otoczenia. Jest to standardowa procedura zapewniająca optymalne funkcjonowanie kamery.

Usługa kalibracji

- Zalecane jest przesyłanie urządzenia do producenta co rok w celu kalibracji i skontaktowanie się z lokalnym dystrybutorem w celu uzyskania informacji dotyczących elementów urządzenia wymagających konserwacji. Aby uzyskać szczegółowe informacje dotyczące usług kalibracji, skorzystaj z witryny internetowej <https://www.hikmicrotech.com/en/support/calibration-service.html>.

Warunki otoczenia

- Należy upewnić się, że warunki otoczenia spełniają wymagania określone przez producenta urządzenia. Podczas użytkowania urządzenia temperatura otoczenia powinna wynosić od -20°C do 40°C , a wilgotność nie powinna przekraczać 95%.
- Urządzenie należy umieścić w suchym i odpowiednio wentylowanym miejscu.
- Należy chronić urządzenie przed silnym promieniowaniem elektromagnetycznym oraz kurzem i pyłem.
- NIE wolno kierować obiektywem w stronę słońca lub innego źródła intensywnego światła.
- Jeżeli używane jest wyposażenie laserowe, należy upewnić się, że obiektyw urządzenia nie jest oświetlany przez wiązkę lasera, ponieważ może to spowodować jego spalenie.

Pomoc techniczna

<https://www.hikmicrotech.com/en/contact-us.html> ułatwia klientom firmy HIKMICRO optymalne korzystanie z produktów HIKMICRO. Ten portal internetowy zapewnia dostęp, między innymi, do naszego zespołu pomocy technicznej, oprogramowania, dokumentacji i usług.

Poważne awarie

Jeżeli urządzenie wydziela dym lub intensywny zapach albo emituje hałas, należy niezwłocznie wyłączyć zasilanie i odłączyć przewód zasilający, a następnie skontaktować się z centrum serwisowym.

Adres producenta

Lokal 313, Kompleks B, Budynek 2, Ulica 399 Danfeng Road, Region dystryktu Xixing, Dystrykt Binjiang, Hangzhou, Zhejiang 310052, Chiny Hangzhou Microimage Software Co., Ltd.

UWAGA DOTYCZĄCA ZGODNOŚCI Z PRZEPISAMI: Produkty termowizyjne mogą podlegać kontroli eksportu w różnych krajach lub regionach, takich jak Stany Zjednoczone, Wielka Brytania lub kraje członkowskie Unii Europejskiej, które sygnowały porozumienie Wassenaar. Jeżeli planowane jest przesyłanie, eksportowanie lub reeksportowanie produktów termowizyjnych przez granice państw, należy skonsultować się z ekspertem w dziedzinie prawa lub zgodności z przepisami albo lokalnymi urzędami administracji państwowej, aby uzyskać informacje dotyczące wymaganej licencji eksportowej.

Magyar

1. Rövid leírás

A műanyag burkolattal ellátott kézi hőkamera alapvetően robbanásveszélyes gázok környezetében használatos, kivéve a metángázt.

2. Megjelenés (1. oldal)

A készülék külső megjelenése a különböző modellek függvényében változhat. Kérjük, a valós terméket tekintse vonatkozási alapnak.

Gombok és felületek

Sz.	Leírás	Funkció
1	Képernyő	Az élőkép megtekintéséhez.
2	Töltésjelző	<ul style="list-style-type: none">Folyamatos piros: Normál töltés.Folyamatos zöld: Teljesen feltöltve.
3	Indítógomb	<ul style="list-style-type: none">Nyomja le: Menü megjelenítése vagy a művelet megerősítése.Tartsa lenyomva: Be-/kikapcsoló gomb.
4	Vissza gomb	Kilépés a menüből vagy visszatérés az előző menübe.
5	Hangjelző	Riasztási hangjelzést ad le.

6	Navigálógomb	Nyomja meg paraméterek kiválasztásához.
7	Optikai lencse	Optikai kép megtekintése.
8	Hőérzékelő lencse	Hőkép megtekintése.
9	LED-fény	Növeli a környezeti fényerőt sötét környezetben.
10	Lencsevédő kapcsolója	Rögzíti vagy leoldja a lencsevédőt.
11	Ravas	<ul style="list-style-type: none">Pillanatfelvételek készítéséhez nyomja meg a ravaszt, miközben az élőkép felület látható.Menü módban a kioldót megnyomva juthat vissza az élő nézethez.
12	Háromlábú állvány felszerelése	Szerelje fel a háromlábú állványt.
13	Csuklópánt rögzítési pontja	Ide rögzíthető a csuklópánt.
14	C-típusú csatlakozó	A készülék töltésére, illetve fájlok exportálására használható, A-típusú C-típusúra alakító USB kábellel.

3. A készülék töltése

A készülék indítása után az OSD (kijelzés a képernyőn) mutatja a telep töltöttségi állapotát. Ha a töltöttség alacsony, töltsse fel a készüléket, és biztosítsa annak megfelelő működését. Első alkalommal töltsse a készüléket több mint 8 órán át, bekapcsolt állapotban.

Lépések

- Emelje fel a C típusú csatlakozó fedelét.
- Csatlakoztassa az A-típusú C típusúra alakító USB kábelt a készülék feltöltéséhez.

Felhasználói kézikönyv



Jogi információk

A kézikönyvvel kapcsolatos tudnivalók

A jelen kézikönyv a termék használatával és kezelésével kapcsolatos utasításokat tartalmaz. Az itt szereplő képek, diagramok, ábrák és minden további információ csupán leírásként és magyarázatként szolgál. A kézikönyvben szereplő információk a firmware-frissítések és egyéb okok miatt előzetes értesítés nélkül változhatnak. A kézikönyv legújabb verzióját a HIKMICRO webhelyén találja (www.hikmicrotech.com). A kézikönyvet a termékkel kapcsolatos támogatáshoz megfelelő képesítéssel rendelkező szakemberek támogatásával és útmutatásával együtt használja.

Ez az útmutató a következő típusokra vonatkozik: HM-TP52N-3AQF-BX20, BX20, HM-TP5XY-ABCDEF, HM-TP5A-XY, HM-TP51N-3AQF, HM-TP53N-3AQF, HM-TP5XN-A, HM-TP5AB-XY, HM-TP5AB-XYZ, HM-TP5XY-AB, HM-TP5XY-A.

JOGI NYILATKOZAT

EZT A KÉZIKÖNYVET, VALAMINT A BENNE SZEREPLŐ TERMÉKET ANNAK HARDVER-, SZOFTVER-ÖSSZETEVŐIVEL ÉS FIRMWARE-ÉVEL EGYÜTT „EREDETI FORMÁBAN” BIZTOSÍTJUK, „BELEÉRTVE AZOK ÖSSZES ESETLEGES HIBÁJÁT”. A HIKMICRO NEM VÁLLAL SEM KIFEJEZETT, SEM TÖRVÉNY ÁLTAL VÉLELMEZETT JÓTÁLLÁST TÖBBEK KÖZÖTT – DE NEM KORLÁTOZVA – A TERMÉK ÉRTÉKESÍTHETŐSÉGÉRE, MEGFELELŐ MINŐSÉGÉRE, VALAMINT ADOTT CÉLRA VALÓ ALKALMASSÁGÁRA. A TERMÉKET KIZÁRÓLAG SAJÁT FELELŐSSÉGÉRE HASZNÁLHATJA. A HIKMICRO SEMMILYEN ESETBEN SEM VÁLLAL FELELŐSSÉGET ÖN FELÉ SEMMILYEN KÜLÖNLEGES, KÖVETKEZMÉNYES, JÁRULÉKOS VAGY KÖZVETETT KÁRÉRT, BELEÉRTVE TÖBBEK KÖZÖTT A TERMÉK HASZNÁLATÁVAL ÖSSZEFÜGGÉSBEN AZ ÜZLETI HASZON ELVESZTÉSÉBŐL, AZ ÜZLETMENET MEGSZAKADÁSÁBÓL, VALAMINT AZ ADATOK VAGY DOKUMENTUMOK ELVESZTÉSÉBŐL EREDŐ KÁROKAT, TÖRTÉNJEN EZ SZERZŐDÉSSZEGÉS VAGY KÁROKOZÁS (BELEÉRTVE A GONDATLANSÁGOT) EREDMÉNYEKÉNT, MÉG AKKOR SEM, HA A HIKMICRO VÁLLALATOT TÁJÉKOZTATTÁK AZ ILYEN KÁROK BEKÖVETKEZÉSÉNEK LEHETŐSÉGÉRŐL.

ÖN TUDOMÁSUL VESZI, HOGY AZ INTERNET TERMÉSZETÉBŐL FAKADÓAN KOCKÁZATOKAT REJT, ÉS A HIKMICRO SEMMILYEN FELELŐSSÉGET NEM VÁLLAL A RENDELLENES MŰKÖDÉSÉRT, A SZEMÉLYES ADATOK KISZIVÁRGÁSÁÉRT VAGY MÁS OLYAN KÁROKÉRT, AMELYEKET KIBERTÁMADÁSOK, HACKERTÁMADÁSOK, VÍRUSFERTŐZÉSEK VAGY MÁS INTERNETES BIZTONSÁGI VESZÉLYEK OKOZTAK; A HIKMICRO AZONBAN KÉRÉSRE IDŐBEN MŰSZAKI TÁMOGATÁST NYÚJT.

ÖN ELFOGADJA, HOGY EZT A TERMÉKET KIZÁRÓLAG A VONATKOZÓ TÖRVÉNYI ELŐÍRÁSOK BETARTÁSÁVAL HASZNÁLJA, ÉS HOGY A VONATKOZÓ TÖRVÉNYEKNEK MEGFELELŐ HASZNÁLAT KIZÁRÓLAG AZ ÖN FELELŐSSÉGE. KÜLÖNÖSKÉPPEN AZ ÖN FELELŐSSÉGE, HOGY A TERMÉK HASZNÁLATA SORÁN NE SÉRTSE HARMADIK FÉL JOGAIT, BELEÉRTVE, DE NEM KORLÁTOZVA A NYILVÁNOSSÁGRA, SZELLEMI TULAJDONRA, ADATOK VÉDELMEÉRE ÉS EGYÉB SZEMÉLYES ADATOKRA VONATKOZÓ JOGOKAT. A TERMÉKET NEM HASZNÁLHATJA TILTOTT CÉLRA, BELEÉRTVE A TÖMEGPUSZTÍTÓ FEGYVEREK FEJLESZTÉSÉT VAGY GYÁRTÁSÁT, A VEGYI VAGY BIOLÓGIAI FEGYVEREK FEJLESZTÉSÉT VAGY GYÁRTÁSÁT, VALAMINT BÁRMILYEN, ROBBANÁSVESZÉLYES VAGY NEM BIZTONSÁGOS NUKLEÁRIS HASADÓANYAG-CIKLUSSAL KAPCSOLATOS TEVÉKENYSÉGET, ILLETVE EMBERI JOGI VISSZAÉLÉSEKET TÁMOGATÓ MÓDON TÖRTÉNŐ FELHASZNÁLÁST. HA A JELEN KÉZIKÖNYV ÉS A HATÁLYOS TÖRVÉNY KÖZÖTT ELLENTMONDÁS TAPASZTALHATÓ, AKKOR AZ UTÓBBI A MÉRVADÓ.

Szabályozással kapcsolatos információk

Ezek a cikkelyek kizárólag a megfelelő jelt vagy információt viselő termékekre vonatkoznak.

EU megfelelési nyilatkozat



Ez a termék és a mellékelt tartozékai (ha vannak) a „CE” jelzést viselik, így megfelelnek a 2014/30/EU (EMCD) és

a 2011/65/EU (RoHS) irányelvben felsorolt harmonizált európai szabványoknak.

Megjegyzés: Az 50 - 1000 V (egyenáram) vagy 75 - 1500 V (váltóáram) tartományba eső bemeneti feszültséggel rendelkező termékek a 2014/35/EU (LVD) irányelv előírásainak, míg a többi termék a 2001/95/EK (GPSD) irányelv előírásainak felel meg. Kérjük, ellenőrizze az adott tápegységre vonatkozó tájékoztató információkat.

Ha az eszközhöz nincs mellékelve tápadapter, használjon minősített gyártó által készített tápadaptert. A tápellátással szembeni részletes követelmények a termék műszaki adataiban vannak feltüntetve.

Ha az eszközhöz nincs mellékelve akkumulátor vagy elem, használjon minősített gyártó által biztosított akkumulátort vagy elemet. Az akkumulátorral szembeni részletes

követelmények a termék műszaki adataiban vannak feltüntetve.



2012/19/EU irányelv (WEEE irányelv):
Az ilyen jelzéssel ellátott termékeket
tilos szelektálatlan kommunális

hulladékként elhelyezni az Európai
Unió területén. A megfelelő újrahasznosítás
érdekében vigye vissza ezt a terméket helyi
forgalmazóhoz, amikor új, egyenértékű
berendezést vásárol, vagy adja le a kijelölt
gyűjtőhelyeken. További információért keresse
fel az alábbi weboldalt: www.recyclethis.info.



2006/66/EK irányelv és annak
2013/56/EU kiegészítése
(akkumulátor-irányelv): Ez a termék
olyan akkumulátort tartalmaz,

amelyet az Európai Unióban tilos szelektálatlan
kommunális hulladékként ártalmatlanítani. A
termékdokumentációban további információkat
talál az akkumulátorról. Az akkumulátor ezzel
a jelzéssel van ellátva. A jelzésen megtalálhatók
lehetnek a kadmiumot (Cd), ólmot (Pb) vagy
higanyt (Hg) jelző betűjelek. A megfelelő
újrahasznosítás érdekében vigye vissza az
akkumulátort a forgalmazóhoz, vagy juttassa el
egy kijelölt gyűjtőhelyre. További információért
keresse fel az alábbi weboldalt:
www.recyclethis.info.

A kamera rendeltetészerű használata

ATEX: II 3 G Ex ic IIC T6 Gc
II 3 D Ex ic IIIC T85°C Dc

IECEX: Ex ic IIC T6 Gc
Ex ic IIIC T85°C Dc

IP-fokozat: IP54

Ex szabványok:

IEC 60079-0:2017 IEC 60079-11:2011

Ex tanúsítvány:

TÜV 23 ATEX 8963 IECEX TUR 23.0015

Speciális feltételek a veszélyes területen történő használathoz:

1. A készülék használata és karbantartása során tilos megváltoztatni az alapvető biztonsági áramkörök vagy a kapcsolódó alkatrészek nevét, modelljét, specifikációit és paramétereit.
2. A készülék szétszerelése és karbantartása során mindenképpen válassza le a tápforrást, és ne végezzen karbantartást a készüléken bekapcsolt állapotban. Ne hajtsa végre a felsorolt műveleteket, ha a készülék robbanásveszélyes gázok környezetében található.
3. A normál használat, karbantartás és tisztítás során a készüléket védeni kell az elektrosztatikus kisülések okozta kigyulladásától. Robbanékony gázok környezetében ne törölje le a készüléket.

Amennyiben a készüléket le kell cserélni vagy le kell törölni, azt robbanásveszélyes gázoktól mentes környezetben kell elvégezni.

4. Tilos a készülék elemeit veszélyes területeken tölteni vagy cserélni.
5. A készüléket védeni kell a napfénytől, illetve a lámpafénytől.
6. A készülék csak veszélytelen területen tölthető fel, a gyártó által kifejezetten a készülékhez biztosított töltővel. A töltési hőmérséklet-tartomány 0 °C és 45 °C közötti.
7. Végfelhasználóknak tilos a készülék akkumulátorát cserélni.
8. Veszélyes területen a csatlakozófelület fedelének takarnia kell a C-típusú USB-portot.
9. Az ütésállóság vizsgálata az alacsony kockázatú mechanikai veszélyekre vonatkozó szabályoknak megfelelően történt. A készüléket védeni kell az erős ütések ellen.

Biztonsági utasítások

Jelen utasítások arra szolgálnak, hogy a felhasználó helyesen használhassa a terméket, elkerülve a veszélyeket és megelőzve az anyagi károkat.

Törvények és szabályok

- A termék használatakor szigorúan be kell tartani a helyi elektromos biztonsági előírásokat.

Szállítás

- Szállítás alkalmával tartsa a terméket az eredeti, vagy ahhoz hasonló csomagolásban.
- Minden csomagolóanyagot őrizzen meg későbbi felhasználásra. Hiba esetén az eredeti csomagolásában kell a készüléket visszaküldenie a gyártónak. Az eredeti csomagolástól eltérő csomagolás a termék sérülését okozhatja. A vállalat ez esetben nem vállal semmilyen felelősséget.
- Ne ejtse le és ne tegye ki ütdésnek a készüléket. Tartsa távol a készüléket a mágneses zavarforrásoktól.

Tápellátás

- A bemeneti feszültségnek meg kell felelnie a korlátozott áramforrásokra vonatkozó előírásoknak (3,7 V DC, 0,5 A), az IEC61010-1 szabvány szerint. A részletes információkért olvassa el a műszaki adatokat.
- Ellenőrizze, hogy a tápcsatlakozó stabilan van-e csatlakoztatva a konnektorhoz.
- NE csatlakoztasson több készüléket egy hálózati adapterre, hogy elkerülje a túlterhelés okozta túlmelegedést vagy tűzveszélyt.
- Csak minősített gyártó által készített tápadaptert használjon. A tápellátással

szembeni részletes követelmények a termék műszaki adataiban vannak feltüntetve.

Akkumulátor

- A beépített akkumulátor nem vehető ki. Kérjük, forduljon a gyártóhoz, ha javítás szükséges. Az akkumulátor felrobbanhat, ha nem megfelelő típusra cseréli. Csak azonos, vagy egyenértékű típusra cserélje. Az elhasznált akkumulátorok hulladékkezelését az akkumulátor gyártójának útmutatása szerint végezze.
- Csak minősített gyártó által készített akkumulátort használjon. Az akkumulátorral szembeni részletes követelmények a termék műszaki adataiban vannak feltüntetve.
- Az akkumulátor hosszú távú tárolásakor az akkumulátor minőségének biztosítása érdekében ellenőrizze fél évente, hogy az teljesen fel van-e töltve. Ellenkező esetben rongálódás következhet be.
- Ellenőrizze, hogy a tápcsatlakozó stabilan van-e csatlakoztatva a konnektorhoz.
- Ha a készülék ki van kapcsolva, és a RTC akkumulátor teljesen fel van töltve, akkor az idő beállítása 4 hónapig megőrizhető.
- Az első használat előtt töltsse a lítium akkumulátort több mint 8 órán át.

Karbantartás

- Ha a termék NEM működik megfelelően, forduljon a forgalmazóhoz vagy a legközelebbi szervizközpontoz. Nem vállalunk felelősséget az illetéktelen javításból vagy karbantartásból eredő károkért.
- Szükség esetén törölje le a készüléket egy tiszta törülkövel és kis mennyiségű etanollal.
- Ha a készüléket nem a gyártó által meghatározott módon használja, a védelem szintje csökkenhet.
- A kamera rendszeresen önkalibrálást végez a képminőség és a mérési pontosság optimalizálása érdekében. A folyamat során a kép rövid időre megmerevedik, és egy „kattanás” hallható, miközben a zárszerkezet elmozdul az érzékelő előtt. Az önkalibrálás gyakrabban előfordul indítás során, illetve nagyon hideg vagy nagyon meleg környezetekben. Ez a normális működés része, amely biztosítja a kamera optimális teljesítményét.

Kalibrálási szolgáltatás

- Javasoljuk, hogy évente egyszer küldje vissza a készüléket kalibrálás céljából, és kérjük, vegye fel a kapcsolatot a helyi forgalmazóval a karbantartási lépésekre vonatkozó további információk érdekében. Részletesebb kalibrálási szolgáltatásokért keresse fel a

következő weboldalt:

<https://www.hikmicrotech.com/en/support/calibration-service.html>.

Használati környezet

- Bizonyosodjon meg, hogy a használati környezet megfelel a készülék előírásainak. Az üzemi hőmérséklet $-20\text{ }^{\circ}\text{C}$ és $40\text{ }^{\circ}\text{C}$ ($-4\text{ }^{\circ}\text{F}$ - $104\text{ }^{\circ}\text{F}$) között, a páratartalom legfeljebb 95% lehet.
- A készüléket száraz és jól szellőző környezetben helyezze el.
- NE TEGYE ki a készüléket erős elektromágneses sugárzásnak vagy poros környezetnek.
- NE IRÁNYÍTSA az objektívet a Nap vagy más erős fényforrás irányába.
- Ha bármilyen lézerekészüléket használ, figyeljen arra, hogy a készülék lencséjét ne érje a lézersugár, különben az kiéghet.

Műszaki támogatás

A <https://www.hikmicrotech.com/en/contact-us.html> portál segít önnek, hogy vásárlóként a legtöbbet hozza ki a HIKMICRO termékeiből. A portálon keresztül elérheti ügyfélszolgálati csapatunkat, és emellett szoftvereket és dokumentációkat, illetve a szervizek elérhetőségeit is megtalálja, többek között.

Vészhelyzet

Ha a készülék füstöt, furcsa szagot vagy zajt bocsát ki, azonnal kapcsolja ki, húzza ki a tápkábelt, majd forduljon a szervizközpontoz.

A gyártó címe

313-as szoba, B egység, 2-es épület, 399 Danfeng Road, Xixing alkerület, Binjiang kerület, Hangzhou, Zhejiang 310052, Kína
Hangzhou Microimage Software Co., Ltd.

MEGFELELŐSÉGI MEGJEGYZÉS: A termográfiasorozat termékeire exportszabályozás vonatkozhat különböző régiókban és országokban, pl. az Egyesült Államokban, az Európai Unióban, az Egyesült Királyságban és/vagy a wassenaari egyezmény más tagországaiban. Ha a termográfiasorozat termékeit különböző országok közt szeretné szállítani, exportálni vagy újraexportálni, tájékozódjon a szükséges exportengedélyekről és követelményekről egy jogi vagy megfelelőségi szakértőnél, vagy a helyi hatóságoknál.

Română

1. Descriere scurtă

Camera termografică portabilă, care prezintă o carcasă din plastic se utilizează preponderent în medii cu gaz exploziv, altul decât gazul metan.

2. Aspect (Pagina 1)

Aspectul dispozitivului poate să difere de la model la model. Vă rugăm să luați produsul real ca referință.

Butoane și interfețe

Nr.	Descriere	Funcție
1	Ecranul	Afișează vizualizarea live.
2	Indicator de încărcare	<ul style="list-style-type: none">● Iluminare continuă în roșu: Se încarcă normal.● Iluminare continuă în verde: Complet încărcat.
3	Tasta de pornire	<ul style="list-style-type: none">● Apăsati: Afișarea meniului sau confirmarea funcționării.● Menținere apăsat: Pornire/Oprire.
4	Tasta Înapoi	leșiți din meniu sau reveniți la meniul anterior.
5	Buzer	leșire alarmă sonoră.
6	Tastă de navigare	Apăsati pentru a alege parametrii.
7	Obiectiv optic	Vizualizați imaginea optică.
8	Obiectiv termic	Vizualizați imaginea termică.
9	Lumină LED	Crește luminozitatea ambientală în medii întunecate.
10	Comutator pentru protecția obiectivului	Montați sau demontați dispozitivul de protecție a obiectivului.
11	Declanșator	<ul style="list-style-type: none">● În interfața de vizualizare în direct, apăsați pe declanșator pentru a captura instantanee.● În modul meniu, apăsați pe declanșator pentru a reveni la vizualizarea live.
12	Montare trepied	Pentru montarea trepiedului.
13	Punct de fixare a curelei pentru încheietura mâinii	Montați cureaua pentru încheietura mâinii.
14	Interfață de tip C	Încărcați dispozitivul sau exportați fișiere cu cablu USB de tipul A până la C.

3. Dispozitiv de încărcare

După pornirea dispozitivului, OSD-ul (afișajul pe ecran) arată starea bateriei. Când bateria este descărcată, încărcați dispozitivul și asigurați-vă că acesta funcționează corect.

Pentru prima încărcare, încărcați dispozitivul pentru mai mult de 8 ore după ce este pornit.

Pași

1. Ridicați capacul de tip-C.
2. Conectați cablul USB de tipul A până la C și încărcați dispozitivul.

Manual de utilizare



Informații juridice

Despre acest Manual

Manualul include instrucțiuni pentru utilizarea și gestionarea Produsului. Fotografiiile, diagramele, imaginile și toate celelalte informații de mai jos sunt doar pentru descriere și explicații.

Informațiile conținute în Manualul pot fi modificate, fără notificare prealabilă, din cauza actualizărilor firmware-ului sau din alte motive. Vă rugăm să găsiți cea mai recentă versiune a acestui Manual pe site-ul HIKMICRO (www.hikmicrotech.com).

Vă rugăm să folosiți acest Manual sub îndrumarea și cu asistența unor profesioniști instruiți în domeniul asistenței pentru produs. Prezentul manual se aplică pentru următoarele modele: HM-TP52N-3AQF-BX20, BX20, HM-TP5XY-ABCDEF, HM-TP5A-XY, HM-TP51N-3AQF, HM-TP53N-3AQF, HM-TP5XN-A, HM-TP5AB-XY, HM-TP5AB-XYZ, HM-TP5XY-AB, HM-TP5XY-A.

PRECIZĂRI LEGALE

ÎN MĂSURA MAXIMĂ PERMISĂ DE LEGISLAȚIA APLICABILĂ, ACEST MANUAL ȘI PRODUSUL DESCRIS, ÎMPREUNĂ CU HARDWARE-UL, SOFTWARE-UL ȘI FIRMWARE-UL SĂU, SUNT FURNIZATE „CA ATARE” ȘI „CU TOATE DEFECTELE ȘI ERORILE”. HIKMICRO NU OFERĂ GARANȚII, EXPLICITE SAU IMPLICITE, INCLUSIV, FĂRĂ LIMITARE, VANDABILITATE, CALITATE SATISFĂCĂTOARE SAU ADECVARE PENTRU UN ANUMIT SCOP. UTILIZAREA PRODUSULUI DE CĂTRE DVS. ESTE PE PROPRIUL RISC. ÎN NICIUN CAZ HIKMICRO NU VA FI RĂSPUNZĂTOR FAȚĂ DE DVS. PENTRU ORICE DAUNE SPECIALE, CONSECVENTE, ACCIDENTALE SAU INDIRECTE, INCLUSIV, PRINTRE ALTELE, DAUNE PENTRU

PIERDEREA PROFITURILOR DE AFACERI, ÎNTRERUPEREA AFACERII, SAU PIERDEREA DATELOR, CORUPȚIA SISTEMELOR SAU PIERDEREA DOCUMENTAȚIEI, FIE CĂ SE BAZEAZĂ PE ÎNCĂLCAREA CONTRACTULUI, DELICT (INCLUSIV NEGLIJENȚĂ), RĂSPUNDEREA PRODUSULUI SAU ÎN ALT MOD, ÎN LEGĂTURĂ CU UTILIZAREA PRODUSULUI, CHIAR DACĂ HIKMICRO A FOST INFORMAT CU PRIVIRE LA POSIBILITATEA UNOR ASTFEL DE DAUNE SAU PIERDERI.

RECUNOAȘTEȚI CĂ NATURA INTERNETULUI ASIGURĂ RISCURI DE SECURITATE INERENTE, IAR HIKMICRO NU ÎȘI ASUMĂ NICIO RESPONSABILITATE PENTRU FUNCȚIONAREA ANORMALĂ, SCURGERI DE CONFIDENȚIALITATE SAU ALTE DAUNE REZULTATE DIN ATACURILE CIBERNETICE, ATACURILE HACKERILOR, INFECȚIILOR CU VIRUȘI SAU ALTE RISCURI DE SECURITATE PE INTERNET; CU TOATE ACESTEA, HIKMICRO VA OFERI ASISTENȚĂ TEHNICĂ ÎN TIMP UTIL, DACĂ ESTE NECESAR.

SUNTEȚI DE ACORD SĂ UTILIZAȚI ACEST PRODUS ÎN CONFORMITATE CU TOATE LEGILE APLICABILE ȘI VĂ REVINE ÎN ÎNTREGIME RESPONSABILITATEA DE A VĂ ASIGURA CĂ UTILIZAREA DVS. ESTE ÎN CONFORMITATE CU LEGISLAȚIA APLICABILĂ. ÎN SPECIAL, SUNTEȚI RESPONSABIL(Ă) PENTRU UTILIZAREA ACESTUI PRODUS ÎNTR-UN MOD CARE NU ÎNCALCĂ DREPTURILE TERȚILOR, INCLUSIV, DAR FĂRĂ A SE LIMITA LA DREPTURILE DE PUBLICITATE, DREPTURILE DE PROPRIETATE INTELECTUALĂ SAU PROTECȚIA DATELOR ȘI ALTE DREPTURI DE CONFIDENȚIALITATE. NU VEȚI UTILIZA ACEST PRODUS PENTRU UTILIZĂRI FINALE INTERZISE, INCLUSIV PENTRU DEZVOLTAREA SAU PRODUCEREA DE ARME DE DISTRUGERE ÎN MASĂ, DEZVOLTAREA SAU PRODUCEREA DE ARME CHIMICE SAU BIOLOGICE, DESFĂȘURAREA ORICĂROR ACTIVITĂȚI ÎN CONTEXTUL ORICĂRUI EXPLOZIBIL NUCLEAR SAU AL UNUI CICLU DE PRODUCȚIE A UNUI COMBUSTIBIL NUCLEAR CARE NU PREZINTĂ SIGURANȚĂ SAU ÎN SPRIJINUL ÎNCĂLCĂRII DREPTURILOR OMULUI. ÎN CAZUL UNOR CONFLICTE ÎNTRE ACEST MANUAL ȘI LEGEA APLICABILĂ, ACEASTA DIN URMĂ PREVALEAZĂ.

Informații de reglementare

Aceste clauze se aplică numai produselor care poartă marca sau informațiile corespunzătoare.

Declarație de conformitate UE



Acest produs și – dacă este cazul – accesoriile furnizate sunt marcate cu „CE” și, prin urmare, sunt conforme cu standardele europene armonizate aplicabile

enumerare în Directiva 2014/30/UE (EMCD) și Directiva 2011/65/UE (RoHS).

Notă: Produsele cu o tensiune de intrare cuprinsă între 50 și 1000 V c.a. sau 75 și 1500 V c.c. sunt conforme cu Directiva 2014/35/UE (LVD), iar restul produselor sunt conforme cu Directiva 2001/95/CE (GPSD). Verificați informațiile specifice privind sursa de alimentare pentru referință.

Dacă dispozitivul a fost furnizat fără un adaptor de alimentare, folosiți adaptorul de alimentare furnizat de un producător calificat. Consultați specificațiile produsului pentru cerințele detaliate de alimentare.

Dacă dispozitivul a fost furnizat fără o baterie, folosiți bateria furnizată de un producător calificat. Consultați specificațiile produsului pentru cerințele detaliate privind bateria.



Directiva 2012/19/UE (directiva DEEE): Produsele marcate cu acest simbol nu pot fi eliminate ca deșeuri municipale nesortate în Uniunea

Europeană. Pentru o reciclare adecvată, returnați acest produs furnizorului local la achiziționarea unui echipament nou echivalent sau predați-l într-unul dintre punctele de colectare desemnate. Pentru mai multe informații, consultați: www.recyclethis.info.



Directiva 2006/66/CE și directiva de modificare a acesteia 2013/56/UE (directiva privind bateriile): Acest produs conține o baterie care nu

poate fi eliminată ca deșeu municipal nesortat în Uniunea Europeană. Consultați documentația produsului pentru informații specifice despre baterie. Bateria este marcată cu acest simbol, care poate include litere pentru a indica cadmiul (Cd), plumbul (Pb) sau mercurul (Hg). Pentru o reciclare corectă, returnați bateria furnizorului dvs. sau la un punct de colectare desemnat. Pentru mai multe informații, consultați: www.recyclethis.info.

Utilizarea prevăzută a camerei

ATEX: II 3 G Ex ic IIC T6 Gc
II 3 D Ex ic IIIC T85°C Dc

IECEx: Ex ic IIC T6 Gc
Ex ic IIIC T85°C Dc

Grad de protecție IP: IP54

Standarde Ex:

IEC 60079-0:2017 IEC 60079-11:2011

Ex Certificarte:

TÜV 23 ATEX 8963 IECEx TUR 23.0015

Condiții speciale pentru utilizarea în condiții de siguranță în zone periculoase:

1. Este interzisă modificarea numelor, modelelor, specificațiilor și parametrilor circuitelor de siguranță intrinsecă sau ai componentelor aferente în timpul utilizării și întreținerii dispozitivului.
2. Când dezasamblați sau utilizați dispozitivul, aveți grijă să deconectați sursa de alimentare și să nu utilizați dispozitivul când este alimentat. Nu efectuați operațiile de mai sus dacă dispozitivul se află într-un mediu cu gaz exploziv.
3. Dispozitivul trebuie să evite aprinderea cauzată de descărcarea electrostatică în timpul utilizării, al întreținerii și al curățării normale. Nu ștergeți dispozitivul în mediu cu gaz exploziv. Dacă este necesară înlocuirea sau ștergerea dispozitivului, acestea trebuie efectuate în mediu fără gaz exploziv.
4. Se interzice încărcarea sau înlocuirea bateriilor dispozitivului în zone periculoase.
5. Dispozitivul trebuie să fie protejat împotriva expunerii la lumina zilei sau a luminii provenite de la corpurile de iluminat.
6. Dispozitivul se încarcă numai atunci când se află în zona nepericuloasă, folosind un încărcător furnizat în mod special de către producător pentru a fi utilizat cu unitatea. Intervalul de temperatură de încărcare este cuprins între 0 °C și 45 °C.
7. Este interzisă înlocuirea bateriei dispozitivului de către utilizatorii finali.
8. Capacul interfeței trebuie să blocheze portul USB de tip C în zonele periculoase.
9. Rezistența la impact a fost testată și corespunde riscului scăzut de pericol mecanic. Dispozitivul trebuie să fie protejat împotriva șocurilor puternice.

Instrucțiuni de siguranță

Aceste instrucțiuni sunt menite să asigure că utilizatorul poate utiliza corect produsul pentru a evita pericolul sau pierderea proprietății.

Legi și reglementări

- Utilizarea produsului trebuie să respecte cu strictețe reglementările locale de siguranță electrică.

Transport

- Păstrați dispozitivul în ambalajul original sau similar în timpul transportului.
- După dezambalare, păstrați toate ambalajele pentru o viitoare utilizare. În cazul în care a apărut vreun defect, trebuie să returnați dispozitivul în fabrică cu ambalajul original. Transportul fără ambalajul original poate duce la deteriorarea dispozitivului, iar compania nu

își asumă nici o responsabilitate pentru aceasta.

- NU scăpați produsul și NU îl supuneți la șocuri fizice. Țineți dispozitivul departe de interferența magnetică.

Alimentare electrică

- Tensiunea de intrare trebuie să îndeplinească Sursa limitată de energie (3,7 VDC, 0,5 A) conform standardului IEC61010-1. Vă rugăm să consultați specificațiile tehnice pentru informații detaliate.
- Asigurați-vă că ștecherul este conectat corect la priza de curent.
- NU conectați mai multe dispozitive la un adaptor de alimentare pentru a evita pericolul de supraîncălzire sau de incendiu.
- Utilizați adaptorul de alimentare furnizat de un producător calificat. Consultați specificațiile produsului pentru cerințele detaliate de alimentare.

Baterie

- Bateria încorporată nu poate fi demontată. Vă rugăm să contactați producătorul pentru reparații, dacă este necesar. Bateria poate exploda dacă este înlocuită cu un tip incorect. Înlocuiți numai cu același tip sau un tip echivalent. Eliminați bateriile uzate în conformitate cu instrucțiunile oferite de producătorul bateriei.
- Utilizați bateria furnizată de un producător calificat. Consultați specificațiile produsului pentru cerințele detaliate privind bateria.
- Pentru depozitarea pe termen lung a bateriei, asigurați-vă că aceasta este complet încărcată la fiecare jumătate de an pentru a asigura calitatea bateriei. În caz contrar, pot apărea daune.
- Asigurați-vă că ștecherul este conectat corect la priza de curent.
- Când dispozitivul este oprit și bateria RTC este plină, setările de timp pot fi păstrate timp de 4 luni.
- Înainte de prima utilizare, încărcați bateria cu litiu mai mult de 8 ore.

Întreținere

- În cazul în care produsul nu funcționează corect, vă rugăm să contactați dealerul sau cel mai apropiat centru de service. Nu ne asumăm nicio responsabilitate pentru problemele cauzate de reparații sau întreținere neautorizate.
- Ștergeți ușor aparatul cu o cârpă curată și o cantitate mică de etanol, dacă este necesar.

- În cazul în care echipamentul este utilizat într-un mod care nu este specificat de producător, protecția oferită de dispozitiv poate fi afectată.
- Camera dvs. va efectua periodic o autocalibrare, pentru a optimiza calitatea imaginii și precizia măsurătorilor. În acest proces, imaginea se va întrerupe pentru scurt timp și veți auzi un „clic”, pe măsură ce declanșatorul se deplasează în fața detectorului. Autocalibrarea va fi mai frecventă în timpul pornirii sau în medii foarte reci sau foarte calde. Aceasta este o parte normală a funcționării pentru a asigura performanțe optime pentru camera dumneavoastră.

Serviciul de calibrare

- Vă recomandăm să trimiteți dispozitivul înapoi pentru calibrare o dată pe an și vă rugăm să contactați distribuitorul local pentru informații despre punctele de întreținere. Pentru servicii de calibrare mai detaliate, vă rugăm să vizitați <https://www.hikmicrotech.com/en/support/calibration-service.html>.

Utilizarea mediului

- Asigurați-vă că mediul de funcționare îndeplinește cerințele dispozitivului. Temperatura de funcționare trebuie să fie cuprinsă între -20 °C și 40 °C (-4 °F și 104 °F), iar umiditatea trebuie să fie de 95 % sau mai mică.
- Așezați dispozitivul într-un mediu uscat și bine ventilat.
- NU expuneți dispozitivul la radiații electromagnetice ridicate sau în medii cu praf.
- NU îndreptați obiectivul la soare sau la orice altă lumină strălucitoare.
- Când utilizați orice echipament laser, asigurați-vă că lentila dispozitivului nu este expusă la raza laser, altfel se poate arde.

Asistență tehnică

<https://www.hikmicrotech.com/en/contact-us.html> vă va ajuta, în calitatea de client al HIKMICRO, să profitați la maximum de produsele HIKMICRO. Portalul vă oferă acces la echipa noastră de asistență, software și documentație, contacte de service etc.

Urgență

Dacă de la dispozitiv apar fum, miros sau zgomot, opriți imediat alimentarea, deconectați cablul de alimentare și contactați centrul de service.

Adresa de fabricație

Camera 313, Unitatea B, Clădirea 2, 399 Danfeng Road, subdistrictul Xixing, districtul Binjiang, Hangzhou, Zhejiang 310052, China
Hangzhou Microimage Software Co., Ltd.

NOTIFICARE DE CONFORMITATE: Produsele din seria termică pot fi supuse controalelor exporturilor în diferite țări sau regiuni, inclusiv, fără limitare, Statele Unite ale Americii, Uniunea Europeană, Regatul Unit și/sau alte țări membre ale Aranjamentului de la Wassenaar. Vă rugăm să consultați expertul juridic sau de conformitate profesional sau autoritățile administrației locale pentru orice cerințe necesare privind licența de export dacă intenționați să transferați, să exportați, să reexportați produsele din seria termică între diferite țări.

Nederlands

1. Korte beschrijving

De draagbare thermografische camera met plastic behuizing wordt voornamelijk gebruikt in een andere explosieve gasomgeving dan methaangas.

2. Uiterlijk (pagina 1)

Het uiterlijk van het apparaat kan per model verschillen. Houd het eigenlijke product aan als referentie.

Knoppen en interfaces

Nr.	Omschrijving	Functie
1	Scherm	Toont de liveweergave.
2	Oplaadindicator	<ul style="list-style-type: none"> • Constant rood: Normaal opladen. • Continu groen: Volledig opgeladen.
3	Aan/uit-toets	<ul style="list-style-type: none"> • Druk op: Om een menu weer te geven of een bewerking te bevestigen. • Houd ingedrukt voor: Inschakelen / uitschakelen.
4	De toets Terug	Hiermee verlaat u het menu of keert u terug naar het vorige menu.
5	Zoemer	Geeft een hoorbaar alarm af.
6	Navigatietoets	Druk hierop om parameters te selecteren.
7	Optische lens	Optisch beeld bekijken.
8	Thermische lens	Warmtebeeld bekijken.
9	Ledlampje	Verhoogt de helderheid in een donkere omgeving.

10	Lens- beschermings- schakelaar	De lensbescherming monteren of demonteren.
11	Trekker	<ul style="list-style-type: none"> • Druk in de liveweergave-interface op de trigger om momentopnamen te maken. • Druk in de menumodus op de trekker om terug te keren naar liveweergave.
12	Statiefbevestiging	Bevestig het statief.
13	Bevestigingspunt polsband	Bevestig de polsband.
14	Interface type C	Laad het apparaat op of exporteer bestanden met een USB Type-A naar Type-C kabel.

3. Het apparaat opladen

Nadat het apparaat is opgestart, geeft het scherm de batterijstatus weer. Laad het apparaat op als de batterij bijna leeg is om een correcte werking te garanderen.

Als u de eerste keer oplaadt, moet u het apparaat gedurende langer dan 8 uur laten opladen nadat het is ingeschakeld.

Stappen

1. Til de kleptype C op.
2. Sluit de USB Type-A naar Type-C-kabel aan en laad het apparaat op.

Gebruiksaanwijzing



Juridische informatie

Over deze handleiding

De handleiding bevat instructies voor het gebruik en beheer van het product. Afbeeldingen, grafieken, afbeeldingen en alle andere informatie hierna worden verstrekt voor beschrijving en uitleg. De informatie in de handleiding is onderhevig aan verandering, zonder voorafgaande kennisgeving, als gevolg van firmware-updates of andere redenen. U kunt de nieuwste versie van deze handleiding vinden op de HIKMICRO-website (www.hikmicrotech.com).

Gebruik deze handleiding onder begeleiding en ondersteuning van professionals die zijn opgeleid voor het ondersteunen van het product.

Deze handleiding is van toepassing op de volgende modellen: HM-TP52N-3AQF-BX20, BX20, HM-TP5XY-ABCDEF, HM-TP5A-XY, HM-TP51N-3AQF, HM-TP53N-3AQF, HM-TP5XN-A, HM-TP5AB-XY, HM-TP5AB-XYZ, HM-TP5XY-AB, HM-TP5XY-A.

JURIDISCHE DISCLAIMER

VOOR ZOVER MAXIMAAL TOEGESTAAN OP GROND VAN HET TOEPASSELIJK RECHT, WORDEN DEZE HANDLEIDING EN HET OMSCHREVEN PRODUCT, INCLUSIEF HARDWARE, SOFTWARE EN FIRMWARE, GELEVERD 'ZOALS ZE ZIJN', INCLUSIEF 'FOUTEN EN GEBREKEN'. HIKMICRO GEEFT GEEN GARANTIES, EXPLICIET OF IMPLICIET, WAARONDER ZONDER BEPERKING, VERKOOPBAARHEID, BEVREDIGENDE KWALITEIT OF GESCHIKTHEID VOOR EEN BEPAALD DOEL. HET GEBRUIK VAN HET PRODUCT DOOR U IS OP EIGEN RISICO. IN GEEN GEVAL IS HIKMICRO VERANTWOORDELIJK VOOR SPECIALE, BIJKOMENDE, INCIDENTELE OF INDIRECTE SCHADE, WAARONDER, ONDER ANDERE, SCHADE VAN VERLIES AAN ZAKELIJKE WINST, ZAKELIJKE ONDERBREKING OF VERLIES VAN GEGEVENS, CORRUPTIE OF SYSTEMEN, OF VERLIES VAN DOCUMENTATIE, ONGEACHT OF DIT VOORTVLOEIT UIT CONTRACTBREUK, BENADELING (INCLUSIEF NALATIGHEID), PRODUCTAANSPRAKELIJKHEID OF ANDERS, MET BETREKKING TOT HET PRODUCT, ZELFS ALS HIKMICRO OP DE HOOGTE IS GEBRACHT VAN ZULKE SCHADE OF VERLIES. U ERKENT DAT DE AARD VAN HET INTERNET INHERENTE VEILIGHEIDSRISICO'S INHOUDT EN DAT HIKMICRO GEEN ENKELE VERANTWOORDELIJKHEID AANVAARDT VOOR ABNORMALE WERKING, HET UITLEKKEN VAN PERSOONLIJKE GEGEVENS OF ANDERE SCHADE ALS GEVOLG VAN CYBERAANVALLEN, HACKERAANVALLEN, VIRUSBESMETTINGEN OF ANDERE BEVEILIGINGSRISICO'S OP HET INTERNET; INDIEN NODIG VOORZIET HIKMICRO IN TIJDIGE TECHNISCHE ONDERSTEUNING. U GAAT AKKOORD MET HET GEBRUIK VAN DIT PRODUCT IN OVEREENSTEMMING MET ALLE TOEPASSELIJKE WETTEN EN U BENT ALS ENIGE VERANTWOORDELIJK VOOR DE GARANTIE DAT UW GEBRUIK OVEREENSTEMT MET DE TOEPASSELIJKE WET. U BENT VOORAL VERANTWOORDELIJK DAT HET GEBRUIK VAN DIT PRODUCT GEEN INBREUK PLEEGT OP DE RECHTEN VAN DERDEN, INCLUSIEF EN ZONDER BEPERKING DE RECHTEN VAN PUBLICITEIT, INTELLECTUEEL EIGENDOM OF GEGEVENS BESCHERMING EN ANDERE

PRIVACYRECHTEN. U MAG DIT PRODUCT NIET GEBRUIKEN VOOR ENIGE VERBODEN EINDGEBRUIK, MET INBEGRIIP VAN DE ONTWIKKELING OF DE PRODUCTIE VAN MASSAVERNIEGINGSWAPENS, DE ONTWIKKELING OF DE PRODUCTIE VAN CHEMISCHE OF BIOLOGISCHE WAPENS, ALLE ACTIVITEITEN IN HET KADER VAN EVENTUELE NUCLEAIRE EXPLOSIEVEN OF ONVEILIGE NUCLEAIRE BRANDSTOF CYCLUS, OF TER ONDERSTEUNING VAN MENSENRECHTENSCHENDINGEN. IN HET GEVAL VAN ENIGE CONFLICTEN TUSSEN DEZE HANDLEIDING EN DE TOEPASSELIJKE WETGEVING, PREVALEERT DE LAATSTE.

Informatie met betrekking tot regelgeving

Deze clausules zijn alleen van toepassing op de producten die de overeenkomende markering of informatie dragen.

Nalevingsverklaring EU



Dit product en - indien van toepassing - ook de meegeleverde accessoires zijn gemarkeerd met „CE” en voldoen

daarom aan de toepasselijke geharmoniseerde Europese normen vermeld onder de Richtlijn 2014/30/EU (EMCD) en Richtlijn 2011/65/EU (RoHS).

Opmerking: De producten met een ingangsspanning van 50 tot 1000 VAC of 75 tot 1500 VDC voldoen aan de Richtlijn 2014/35/EU (LVD), en de restproducten voldoen aan de Richtlijn 2001/95/EG (GPSD). Bekijk de specifieke informatie over de voeding ter referentie.

Voor een apparaat zonder meegeleverde voedingsadapter, dient u de voedingsadapter te gebruiken van een gekwalificeerde fabrikant. Raadpleeg de productspecificaties voor nauwkeurig omschreven vereisten omtrent de voeding.

Voor een apparaat zonder meegeleverde batterij, dient u de batterij te gebruiken van een gekwalificeerde fabrikant. Raadpleeg de productspecificaties voor nauwkeurig omschreven vereisten omtrent de batterij.



Richtlijn 2012/19/EU (WEEE-richtlijn): Producten die met dit symbool zijn gemarkeerd mogen binnen de Europese Unie niet worden

weggegooid als ongesorteerd huishoudelijk afval. Lever dit product voor een juiste recycling in bij uw plaatselijke leverancier bij aankoop van soortgelijke nieuwe apparatuur, of breng het naar daarvoor aangewezen inzamelpunten.

Raadpleeg voor meer informatie:

www.recyclethis.info.



Richtlijn 2006/66/EG en zijn amendement 2013/56/EU (Batterijrichtlijn): Dit product bevat een batterij die binnen de Europese

Unie niet mag worden weggegooid als ongesorteerd huishoudelijk afval. Zie de productdocumentatie voor specifieke informatie over de batterij. De batterij is gemarkeerd met dit symbool, dat letters kan bevatten die cadmium (Cd), lood (Pb) of kwik (Hg) aanduiden. Lever de batterij voor een juiste recycling in bij uw leverancier of bij een daarvoor aangewezen inzamelpunt. Raadpleeg voor meer informatie: www.recyclethis.info.

Beoogd gebruik van de camera

ATEX: II 3 G Ex ic IIC T6 Gc
II 3 D Ex ic IIIC T85°C Dc

IECEX: Ex ic IIC T6 Gc
Ex ic IIIC T85°C Dc

IP-graad: IP54

Ex Standaarden:

CEI 60079-0:2017 CEI 60079-11:2011

Ex certificaat:

TÜV 23 ATEX 8963 IECEX TUR 23.0015

Speciale voorwaarden voor veilig gebruik in gevaarlijk gebied:

1. Het is verboden om de namen, modellen, specificaties en parameters van intrinsieke veiligheidscircuits of verwante componenten te wijzigen bij gebruik en onderhoud van het apparaat.
2. Als u het apparaat uit elkaar haalt of gebruikt, zorg er dan voor dat u de voeding loskoppelt en gebruik het apparaat niet wanneer het is ingeschakeld. Voer de bovengenoemde handelingen niet uit als het apparaat zich in een omgeving met explosief gas bevindt.
3. Het apparaat moet de ontsteking veroorzaakt door elektrostatische ontlading tijdens normaal gebruik, onderhoud en reiniging voorkomen. Wis de gegevens van het apparaat niet in een omgeving met explosief gas. Als het nodig is om het apparaat te vervangen of de gegevens te wissen, moet dit worden uitgevoerd in een omgeving zonder explosief gas.
4. Het opladen of vervangen van batterijen van het apparaat is verboden in gevaarlijke gebieden.
5. Het apparaat moet beschermd zijn tegen blootstelling aan dag- of lamplicht.
6. Het apparaat mag alleen worden opgeladen wanneer het in een niet-gevaarlijk gebied is met een lader die specifieke door de fabrikant is

geleverd voor gebruik met het toestel. Het laadtemperatuurbereik is 0 °C tot 45 °C.

7. De batterij van het apparaat mag niet worden vervangen door eindgebruikers.

8. De interfaceklep zal de type-C USB-poort afsluiten op een gevaarlijke locatie.

9. De impactweerstand werd getest in overeenstemming met het lage risico op mechanisch gevaar. Het apparaat moet worden beschermd tegen sterke impacten.

Veiligheidsinstructies

Deze instructies zijn bedoeld om te verzekeren dat de gebruiker het product juist kan gebruiken om gevaar of verlies van eigendommen te vermijden.

Wet- en regelgeving

- Gebruik van het product moet in strikte overeenstemming met de plaatselijke elektrische veiligheidsvoorschriften plaatsvinden.

Transport

- Bewaar het apparaat in de originele of soortgelijke verpakking tijdens vervoer.
- Bewaar alle verpakkingen voor toekomstig gebruik. In het geval van een defect moet u het apparaat terugsturen naar de fabriek met de originele verpakking. Transport zonder de originele verpakking kan leiden tot schade aan het apparaat, waarvoor wij geen verantwoordelijk erkennen.
- Laat het product niet vallen en stel het apparaat niet bloot aan schokken. Houd het toestel uit de buurt van magnetische velden.

Stroomvoorziening

- De ingangsspanning moet voldoen aan de beperkte stroombron (3,7 VDC, 0,5 A) volgens de IEC61010-1-norm. Zie de technische specificaties voor gedetailleerde informatie.
- Zorg dat de stekker goed in het stopcontact zit.
- Sluit NOOIT meerdere apparaten aan op één voedingsadapter om oververhitting of brandgevaar door overbelasting te voorkomen.
- Gebruik de door een gekwalificeerde fabrikant geleverde netstroomadapter. Raadpleeg de productspecificaties voor nauwkeurig omschreven vereisten omtrent de voeding.

Batterij

- De ingebouwde batterij kan niet worden gedemonteerd. Neem indien nodig contact op met de fabrikant voor reparatie. De batterij kan ontploffen als deze wordt vervangen door een verkeerd type. Vervang hem alleen door hetzelfde of een gelijkwaardig type. Voer

gebruikte batterijen af in overeenstemming met de instructies van de batterij fabrikant.

- Gebruik de door een gekwalificeerde fabrikant geleverde batterij. Raadpleeg de productspecificaties voor nauwkeurig omschreven vereisten omtrent de batterij.
- Voor langdurige opslag van de batterij moet u ervoor zorgen dat deze elk half jaar volledig wordt opgeladen om de kwaliteit van de batterij te waarborgen. Als u dit niet doet, kan dit leiden tot schade.
- Zorg dat de stekker goed in het stopcontact zit.
- Wanneer het apparaat is uitgeschakeld en de RTC-batterij vol is, kunnen de tijdstellingen 4 maanden worden bewaard.
- Laad de lithiumbatterij vóór het eerste gebruik ruim 8 uur op.

Onderhoud

- Als het product niet goed werkt, neem dan contact op met uw leverancier of het dichtstbijzijnde servicecentrum. Wij aanvaarden geen verantwoordelijkheid voor problemen die zijn veroorzaakt door ongeautoriseerde reparatie of onderhoud.
- Veeg het apparaat voorzichtig schoon met een schone doek en, indien nodig, een kleine hoeveelheid ethanol.
- Als de apparatuur wordt gebruikt op een manier die niet door de fabrikant is gespecificeerd, kan de bescherming van het apparaat worden aangetast.
- Uw camera zal periodiek een zelfkalibratie uitvoeren om de beeldkwaliteit te optimaliseren en de nauwkeurigheid te meten. In dit proces wordt het beeld kort gepauzeerd en hoort u een "klik" wanneer een sluiters voor de detector beweegt. De zelfkalibratie zal frequenter gebeuren tijdens het opstarten of in zeer koude of warme omgevingen. Dit is een normaal onderdeel van de het gebruik om optimale voor uw camera te garanderen.

Kalibratieservice

- We raden u aan het apparaat één keer per jaar terug te sturen voor kalibratie en contact op te nemen met de plaatselijke leverancier voor informatie over onderhoudspunten. Ga voor meer gedetailleerde kalibratieservices naar <https://www.hikmicrotech.com/en/support/calibration-service.html>.

Gebruiksomgeving

- Zorg dat de gebruiksomgeving voldoet aan de vereisten van het apparaat. De bedrijfstemperatuur moet -20 °C tot 40 °C (-4 °F tot 104 °F) zijn en de luchtvochtigheid moet 95% of minder bedragen.

- Plaats het apparaat in een droge en goed geventileerde omgeving.
- Stel het apparaat NIET bloot aan hoge elektromagnetische straling of stoffige omgevingen.
- Richt de lens NIET op de zon of een ander fel licht.
- Wanneer laserapparatuur in gebruik is, zorg er dan voor dat de lens van het apparaat niet wordt blootgesteld aan de laserstraal, anders kan deze doorbranden.

Technische ondersteuning

<https://www.hikmicrotech.com/en/contact-us.html> helpt u als HIKMICRO-klant om het meeste uit uw HIKMICRO-producten te halen. De portal geeft u toegang tot ons ondersteuningsteam, software en documentatie, onderhoudscontacten, enz.

Noodgeval

Als er rook, geur of geluid uit het apparaat komt, schakel het dan onmiddellijk uit, haal de stekker van het netsnoer uit het stopcontact en neem contact op met het servicecentrum.

Adres fabrikant

Kamer 313, Unit B, Gebouw 2, 399 Danfeng Road, subdistrict Xixing, district Binjiang, Hangzhou, Zhejiang 310052, China
Hangzhou Microimage Software Co., Ltd.

MEDEDELING VAN NALEVING: De producten thermische serie kunnen zijn onderworpen aan exportcontroles in verschillende landen of regio's, inclusief zonder enige beperking de Verenigde Staten, de Europese Unie, het Verenigd Koninkrijk en/of andere lidstaten van de Overeenkomst van Wassenaar. Neem contact op met uw professionele juridische of nalevingsexpert of plaatselijke overheidsinstanties omtrent enige noodzakelijke vereisten voor een exportvergunning als u van plan bent de producten thermische serie te verplaatsen, exporteren of her-exporteren tussen verschillende landen.

Dansk

1. Kort beskrivelse

Det håndholdte termografikamera er udstyret med plastkabinet og bruges overvejende i miljøer med eksplosiv gas af andre typer end metangas.

2. Udseende (side 1)

Enhedens udseende kan variere afhængigt af model. Det faktiske produkt gælder.

Knapper og grænseflader

Nr.	Beskrivelse	Funktion
-----	-------------	----------

1	Skærm	Viser livevisning.
2	Kontrollampe for opladning	<ul style="list-style-type: none"> • Lyser konstant rødt: Oplader normalt. • Lyser konstant grønt: Fuldt opladet.
3	Afbryderknop	<ul style="list-style-type: none"> • Tryk: Viser menu eller bekræfter handling. • Hold: Tænd/sluk.
4	Tilbage tast	Afslut menuen, eller vend tilbage til den forrige menu.
5	Brummer	Udsend hørbar alarm.
6	Navigationstast	Tryk for at vælge parametre.
7	Optisk objektiv	Se det optiske billede.
8	Termisk objektiv	Se det termiske billede.
9	LED-lys	Forøg omgivende lys i mørke miljøer.
10	Kontakt til objektivbeskyttelse	Montér, eller demontér objektivbeskyttelsen.
11	Udløser	<ul style="list-style-type: none"> • På skærmen til livevisning kan du trykke på udløseren for at tage billeder. • I menu tilstand, tryk på udløseren for at gå tilbage til livevisning.
12	Beslag til trebenet stativ	Fastgør et trebenet stativ.
13	Fastgørelsespunkt til håndledsstrop	Fastgør håndledsstroppen.
14	Grænseflade til Type C	Til opladning af enheden eller til eksport af filer via USB Type-A til Type-C-kabel.

3. Oplad enhed

Når enheden er startet op, vises batteristatusen i skærm menuen (OSD). Når batteriniveauet er lavt, skal du oplade enheden og sikre, at den fungerer korrekt.

Oplad enheden første gang i mere end 8 timer, når enheden er tændt.

Trin

1. Løft dækslet til Type-C.
2. Tilslut USB Type-A til Type-C-kablet, og oplad enheden.

Brugervejledning



Juridiske oplysninger

Om denne vejledning

Vejledningen indeholder anvisninger om brug og håndtering af produktet. Billeder, diagrammer, illustrationer og alle øvrige oplysninger herefter tjener kun som beskrivelse og forklaring. Oplysningerne i vejledningen er med forbehold for ændring uden varsel på grund af opdateringer af firmware eller andre årsager. Du kan finde den seneste udgave af vejledningen på webstedet for HIKMICRO (www.hikmicrotech.com).

Brug brugervejledningen under vejledning af og med hjælp fra fagfolk, der er uddannet i understøttelse af produktet.

Denne vejledning gælder for følgende modeller: HM-TP52N-3AQF-BX20, BX20, HM-TP5XY-ABCDEF, HM-TP5A-XY, HM-TP51N-3AQF, HM-TP53N-3AQF, HM-TP5XN-A, HM-TP5AB-XY, HM-TP5AB-XYZ, HM-TP5XY-AB, HM-TP5XY-A.

JURIDISK ANSVARSFRASKRIVELSE

VEJLEDNINGEN OG DET HERI BESKREVNE PRODUKT, INKL. HARDWARE, SOFTWARE OG FIRMWARE, LEVERES I STØRST MULIGT OMFANG, DER ER TILLADT VED LOV, "SOM DET ER OG FOREFINDES" OG "MED ALLE DEFEKTER OG FEJL". HIKMICRO UDSTEDER INGEN GARANTIER, HVERKEN UDTRYKKELIGE ELLER UNDERFORSTÅEDE, INKL. UDEN BEGRÆNSNING, VEDRØRENDE SALGBARHED, TILFREDSSTILLENDE KVALITET ELLER EGNETHED TIL ET BESTEMT FORMÅL. DIN BRUG AF PRODUKTET SKER PÅ DIN EGEN RISIKO. UNDER INGEN OMSTÆNDIGHEDER ER HIKMICRO ANSVARLIG OVER FOR DIG FOR SÆRLIGE SKADER, HÆNDELIGE SKADER, FØLGESKADER ELLER INDIREKTE SKADER, INKL. BL.A., SKADER SOM FØLGE AF DRIFTSTAB, DRIFTSFORSTYRRELSER ELLER TAB AF DATA, BESKADIGELSE AF SYSTEMER ELLER TAB AF DOKUMENTATION, UANSET OM DET ER BASERET PÅ KONTRAKTBRUD, SKADEVOLDENDE HANDLINGER (HERUNDER UAGTSOMHED), PRODUKTANSVAR ELLER PÅ ANDEN MÅDE I FORBINDELSE MED BRUGEN AF PRODUKTET, SELVOM HIKMICRO ER BLEVET UNDERRETTET OM MULIGHEDEN FOR SÅDANNE SKADER.

DU ANERKENDER, AT INTERNETTET INDEHOLDER INDBYGGEDE SIKKERHEDSRISICI. HIKMICRO PÅTAGER SIG INTET ANSVAR FOR UNORMAL DRIFT, LÆKAGE AF PERSONLIGE

OPLYSNINGER ELLER ANDRE SKADER SOM FØLGE AF CYBERANGREB, HACKERANGREB, VIRUSANGREB ELLER ANDRE INTERNETSikkerhedsrisici. HIKMICRO VIL DOG YDE EVENTUEL NØDVENDIG OG RETTIDIG TEKNISK SUPPORT.

DU ERKLÆRER DIG INDFORSTÅET MED AT BRUGE PRODUKTET I OVERENSSTEMMELSE MED ALLE GÆLDENDE LOVE, OG DU ER ENEANSVARLIG FOR AT SIKRE, AT DIN BRUG OVERHOLDER AL GÆLDENDE LOVGIVNING. DU ER ISÆR ANSVARLIG FOR AT BRUGE PRODUKTET PÅ EN MÅDE, DER IKKE KRÆNKER TREDJEPARTERS RETTIGHEDER, HERUNDER, UDEN BEGRÆNSNINGER, RETTIGHEDER VEDRØRENDE OFFENTLIG OMTALE, INTELLEKTUELLE EJENDOMSRETTIGHEDER ELLER RETTIGHEDER VEDRØRENDE DATABESKYTTELSE OG ANDRE RETTIGHEDER VEDRØRENDE PERSONLIGE OPLYSNINGER. DU MÅ IKKE BRUGE PRODUKTET TIL FORBUDTE SLUTANVENDELSER, HERUNDER UDVIKLING ELLER FREMSTILLING AF MASSEØDELÆGGELSESVÅBEN, UDVIKLING ELLER PRODUKTION AF KEMISKE ELLER BIOLOGISKE VÅBEN, AKTIVITETER I DEN KONTEKST, DER ER KNYTTET TIL ATOMBOMBER ELLER USIKKERT REAKTORBRÆNDSEL, ELLER SOM STØTTE TIL OVERTRÆDELSE AF MENNESKERETTIGHEDER.

I TILFÆLDE AF UOVERENSSTEMMELSE MELLEMLER VEJLEDNINGEN OG GÆLDENDE LOVGIVNING GÆLDER SIDSTNÆVNTE.

Lovgivningsmæssige oplysninger

Disse bestemmelser gælder kun for produkter, der er forsynet med det relevante mærke eller oplysninger.

Erklæring om overensstemmelse med EU



Produktet og eventuelt medfølgende tilbehør er mærket "CE" og opfylder derfor gældende harmoniserede

europæiske standarder anført i EU-direktiv 2014/30/EU (EMCD) og EU-direktiv 2011/65/EU (RoHS).

Bemærk: Produkter med en indgangsspænding på 50 til 1.000 V vekselstrøm eller 75 til 1.500 V jævnstrøm overholder direktiv 2014/35/EU (LVD), og de øvrige produkter overholder direktiv 2001/95/EF (GPSD). Kontrollér oplysningerne om strømforsyningen for reference.

For enheder uden medfølgende strømadapter skal du bruge en strømadapter fra en kvalificeret producent. Se de nærmere krav til strømforsyning i produktspecifikationerne.

For enheder uden et medfølgende batteri skal du bruge batterier fra en kvalificeret producent. Se de

nærmere krav til batterier i produktspecifikationen.



EU-direktiv 2012/19/EU (WEEE-direktivet): Produkter, der er mærket med dette symbol, kan ikke

bortskaffes som almindeligt husholdningsaffald i EU. Med henblik på korrekt genbrug skal du aflevere produktet til din lokale leverandør ved køb af tilsvarende nyt udstyr eller aflevere det på et dertil indrettet indleveringssted. For yderligere oplysninger se: www.recyclethis.info



Direktiv 2006/66/EF som ændret ved 2013/56/EU (batteridirektivet): Dette produkt indeholder et batteri, som ikke kan bortskaffes sammen med

almindeligt husholdningsaffald i EU. Find specifikke oplysninger om batteriet i produkt dokumentationen. Batteriet er mærket med dette symbol, som kan indeholde bogstaver, der indikerer indhold af kadmium (Cd), bly (Pb) eller kviksølv (Hg). Med henblik på korrekt genbrug skal du aflevere batteriet til din leverandør eller til et dertil indrettet indleveringssted. For yderligere oplysninger se: www.recyclethis.info.

Kameraets anvendelsesformål

ATEX: II 3 G Ex ic IIC T6 Gc
II 3 D Ex ic IIIC T85°C Dc

IECEX: Ex ic IIC T6 Gc
Ex ic IIIC T85°C Dc

IP-kode: IP54

Ex-standarder:

IEC 60079-0:2017 IEC 60079-11:2011

Ex-certifikat:

TÜV 23 ATEX 8963 IECEX TUR 23.0015

Særlige betingelser for sikker anvendelse i farligt område:

1. Det er forbudt at ændre navne, modeller, specifikationer og parametre for indre sikkerhedskredsløb eller tilhørende komponenter under brug og vedligeholdelse af enheden.
2. Når du adskiller eller betjener enheden, skal du sørge for at afbryde strømforsyningen og ikke betjene enheden, når den er tændt. Udfør ikke ovenstående handlinger, hvis enheden befinder sig i et miljø med eksplosiv gas.
3. Enheden må ikke udsættes for antænding forårsaget af elektrostatisk udladning under normal brug, vedligeholdelse og rengøring. Tør ikke enheden af i et miljø med eksplosiv gas. Hvis det er nødvendigt at udskifte eller aftørre enheden, bør det udføres udenfor miljøet med den eksplosive gas.

4. Opladning eller udskiftning af enhedens batterier må ikke finde sted i farlige områder.

5. Enheden skal beskyttes mod eksponering for dagslys eller lys fra lysarmaturer.

6. Enheden må kun oplades i ikke-farlige områder og under anvendelse af en oplader, der specifikt er leveret af producenten til brug sammen med enheden. Temperaturintervallet for opladning er 0-45 °C.

7. Det er forbudt for slutbrugerne at udskifte batteriet på enheden.

8. Stikdækslet skal blokere USB Type C-porten på farlige steder.

9. Modstandsdygtigheden over for slag er testet i overensstemmelse med den lave risiko for mekanisk fare. Enheden skal beskyttes mod kraftige slag.

Sikkerhedsanvisning

Disse anvisninger skal sikre, at brugeren kan anvende produktet korrekt og undgå fare eller tab af ejendom.

Love og bestemmelser

- Brug af dette produkt skal strengt overholde lokale bestemmelser for elektrisk sikkerhed.

Transport

- Opbevar enheden i den oprindelige eller en lignende emballage, når den skal transporteres.
- Gem al emballage efter udpakningen til senere brug. Du skal bruge den originale emballage til at returnere enheden til fabrikken, hvis der opstår fejl. Transport uden den originale emballage kan medføre skade på enheden, og virksomheden tager intet ansvar derfor.
- Tab ikke produktet, og udsæt det ikke for fysiske stød. Hold enheden væk fra magnetisk interferens.

Strømforsyning

- Indgangsspændingen skal opfylde standarden for den begrænsede strømkilde (3,7 V jævnstrøm, 0,5 A) i henhold til IEC 61010-1. Du kan finde nærmere oplysninger i de tekniske specifikationer.
- Kontrollér, at stikket er sat godt i stikkontakten.
- Slut IKKE flere enheder til én strømadapter for at undgå overhedning eller brandfare som følge af overbelastning.
- Brug en strømadapter fra en godkendt producent. Se de nærmere krav til strømforsyning i produktspecifikationerne.

Batteri

- Det indbyggede batteri kan ikke demonteres. Kontakt producenten, hvis du har brug for en reparation. Batteriet kan eksplodere, hvis det udskiftes med en forkert batteritype. Udskift

kun med samme eller tilsvarende type. Bortskaf brugte batterier i overensstemmelse med batteriproducentens vejledning.

- Brug et batteri fra en godkendt producent. Se de nærmere krav til batterier i produktspecifikationen.
- Hvis batteriet skal opbevares i en længere periode, skal du sikre, at det oplades fuldt hvert halve år for at bevare batteriets ydeevne. Ellers kan der opstå skade.
- Kontrollér, at stikket er sat godt i stikkontakten.
- Når enheden er slukket, og batteriet til realtidsuret er fuldt opladet, kan tidsindstillingerne bevares i 4 måneder.
- Oplad litiumbatteriet i mindst 8 timer før første brug.

Vedligeholdelse

- Hvis produktet ikke virker korrekt, skal du kontakte din forhandler eller dit nærmeste servicecenter. Vi påtager os intet ansvar for problemer, der er forårsaget af uautoriseret reparation eller vedligeholdelse.
- Tør enheden forsigtigt af med en ren klud og en lille mængde ætanol, hvis det er nødvendigt.
- Hvis udstyret bruges på en måde, der ikke er angivet af producenten, kan den beskyttelse, der enheden giver, blive forringet.
- Dit kamera vil med jævnt mellemrum udføre selvkalibrering for at optimere billedkvaliteten og målenøjagtigheden. I denne proces sættes billedet på pause midlertidigt, og du hører et "klik", når lukkeren bevæger sig foran detektoren. Selvkalibreringen udføres hyppigere under opstart eller i meget kolde eller varme omgivelser. Dette er en normal del af driften, der sikrer optimal drift for dit kamera.

Kalibreringstjeneste

- Vi anbefaler, at du returnerer enheden med henblik på kalibrering en gang om året. Kontakt din lokale forhandler for at få oplysninger om vedligeholdelsespunkter. Besøg <https://www.hikmicrotech.com/en/support/calibration-service.html> med flere oplysninger om kalibreringstjenester.

Driftsmiljø

- Kontrollér, at driftsmiljøet opfylder enhedens krav. Driftstemperaturen skal ligge i intervallet -20 °C til 40 °C med en luftfugtighed på 95 % eller derunder.
- Anbring enheden i et tørt og veludluftet miljø.
- Enheden må IKKE udsættes for kraftig elektromagnetisk stråling eller støvfyldte miljøer.
- Objektivet må IKKE rettes mod solen eller et stærkt lys.

- Når der er et laserudstyr i brug, skal det kontrolleres, at enhedens objektiv ikke udsættes for laserstrålen, ellers kan det brænde ud.

Teknisk support

Du kan som HIKMICRO-kunde få hjælp på <https://www.hikmicrotech.com/en/contact-us.html>, så du får mest muligt ud af dine HIKMICRO-produkter. På portalen får du adgang til vores supportteam, software og dokumentation, servicekontakter osv.

Nødsituation

Hvis enheden afgiver røg, lugt eller støj, skal du straks slukke for strømmen og trække strømkablet ud. Kontakt derefter servicecentret.

Producentens adresse

Værelse 313, Enhed B, Bygning 2, 399 Danfeng Vej, Xixing Underdistrikt, Binjiang Distrikt, Hangzhou, Zhejiang 310052, Kina
Hangzhou Microimage Software Co., Ltd.

MEDDELELSE OM OVERENSSTEMMELSE: Produkterne i den termografiske serie kan være underlagt eksportkontrol i forskellige lande eller områder, herunder, uden begrænsning, USA, EU, Storbritannien og/eller andre medlemslande i Wassenaar-aftalen. Kontakt din professionelle juraekspert, ekspert i overensstemmelse eller de lokale offentlige myndigheder for at få oplysninger om kravene for eksportlicens, hvis du har til hensigt at overføre, eksportere eller geneksportere enheder i den termiske serie mellem forskellige lande.

Norsk

1. Kort beskrivelse

Det håndholdte termografiske kameraet med plastskall brukes hovedsakelig i andre eksplosive gassmiljøer enn metangass.

2. Utseende (side 1)

Utseendet til enheten kan variere avhengig av ulike modeller. Se på det faktiske produktet for referanse.

Knapper og grensesnitt

No.	Beskrivelse	Virkemåte
1	Skjerm	Viser direktevisning.
2	Ladeindikator	<ul style="list-style-type: none">• Jevnt rødt: Lader normalt.• Jevnt grønt: Fullt ladet.
3	Strømknapp	<ul style="list-style-type: none">• Trykk: Vis meny eller bekreft operasjon.

		<ul style="list-style-type: none"> ● Hold inne: Slå av/på.
4	Tilbaketast	Avslutt menyen eller gå tilbake til forrige menynivå.
5	Summer	Spill av en lydalarm.
6	Navigasjonsnøkkel	Trykk for å velge parametere.
7	Optisk linse	Vis det optiske bildet.
8	Termisk linse	Vis det termiske bildet.
9	LED-lys	Øk lysstyrken i omgivelsene i mørke omgivelser.
10	Bryter til linsebeskyttelse	Sette på eller ta av linsebeskytteren.
11	Utløser	<ul style="list-style-type: none"> ● I direktevisningen trykker du på utløseren for å ta bilder. ● I menymodus, trykk på utløseren for å bytte til direktevisning.
12	Stativfeste	Monter stativet.
13	Festepunkt for håndleddsremmen	Monter håndleddsstroppen.
14	Type C-grensesnitt	Lad enheten eller eksporter filene med Type-A- til Type-C-kabelen.

3. Lade enheten

Når enheten er på, vises batteristatusen på skjermen. Når batteriet lades ut, må du lade enheten og kontrollere at den fungerer som den skal.

Ved første lading må enheten lades i 8 timer etter at enheten er skrudd på.

Instruksjoner

1. Løft Type-C-dekselet.
2. Koble inn USB Type-A- til Type-C-kabelen og lade enheten.

Brukerhåndbok



Juridisk informasjon Om denne Brukerhåndboken

Denne brukerhåndboken forklarer hvordan produktet skal brukes og vedlikeholdes. Bilder, tabeller og all annen informasjon er kun ment som beskrivelser og forklaringer. Informasjonen i brukerhåndboken kan bli endret uten varsel, f.eks. på grunn av fastvareoppdateringer. Du finner den nyeste versjonen av denne håndboken på nettstedet til HIKMICRO (www.hikmicrotech.com/).

Bruk denne håndboken i kombinasjon med hjelp fra profesjonelle fagfolk når du bruker produktet. Denne bruksanvisningen gjelder for følgende modeller: HM-TP52N-3AQF-BX20, BX20, HM-TP5XY-ABCDEF, HM-TP5A-XY, HM-TP51N-3AQF, HM-TP53N-3AQF, HM-TP5XN-A, HM-TP5AB-XY, HM-TP5AB-XYZ, HM-TP5XY-AB, HM-TP5XY-A.

JURIDISK INFORMASJON

DENNE HÅNDBOKEN OG PRODUKTET DEN GJELDER FOR (MASKINVARE, FASTVARE OG PROGRAMVARE) LEVERES «SOM DE ER», INKLUDERT ALLE FEIL OG MANGLER, I DEN GRAD DETTE TILLATES AV GJELDENDE LOVVERK. HIKMICRO GIR INGEN GARANTIER, HVERKEN DIREKTE ELLER UNDERFORSTÅTTE, OM BLANT ANNET SALGBARHET, TILFREDSSTILLELSE KVALITET ELLER EGNETHET FOR SPESIFIKKE FORMÅL. ALL BRUK AV PRODUKTET SKJER UTELUKKENDE PÅ DIN EGEN RISIKO. HIKMICRO ER IKKE UNDER NOEN OMSTENDIGHETER ANSVARLIGE OVERFOR DEG FOR EVENTUELLE SPESIELLE SKADER. FØLGESKADER, TILFELDIGE SKADER ELLER INDIREKTE SKADER, INKLUDERT BLANT ANNET TAP AV FORTJENESTE, AVBRUDD I FORRETNINGSDRIFT, TAP AV DATA, SKADER PÅ DATASYSTEMER ELLER TAP AV DOKUMENTASJON SOM OPPSTÅR I FORBINDELSE MED BRUKEN AV DETTE PRODUKTET, UAVHENGIG AV OM DETTE SKJER GRUNNET KONTRAKTSBRUDD, FORSØMMELSE, PRODUKTFEIL ELLER ANNET, SELV NÅR HIKMICRO HAR BLITT VARSLET OM AT SLIKE SKADER KAN OPPSTÅ. DU ERKJENNER AT SIKKERHETSRIKIOER LIGGER I INTERNETTS NATUR, OG AT HIKMICRO IKKE TAR NOE ANSVAR FOR UNORMAL DRIFT, LEKKASJER AV PERSONVERN ELLER ANDRE SKADER SOM FØLGER AV CYBERANGREP, VIRUSINFISERING ELLER ANDRE INTERNETTRISIKOER. IMIDLERTID VIL HIKMICRO LEVERER TIDLIG TEKNISK SUPPORT HVIS NØDVENDIG. DU GODTAR Å BRUKE DETTE PRODUKTET I SAMSVAR MED ALLE GJELDENDE LOVER, OG AT DU ER ENEANSVARLIG FOR Å FORSIKRE DEG OM AT DIN BRUK SKJER I SAMSVAR MED GJELDENDE LOVER. SPESIFIKT NEVNES AT DU ER ANSVARLIG FOR Å BRUKE DETTE PRODUKTET PÅ EN MÅTE SOM IKKE KRENKER

RETTIGHETENE TIL TREDJEPARTER, BLANT ANNET RETT TIL PUBLISERING, IMMATERIELLE EIENDOMSRETTIGHETER ELLER LOVER OM DATABESKYTTELSE OG PERSONVERN. DU SKAL IKKE BRUKE PRODUKTET TIL ULOVLIGE FORMÅL, SÅNN SOM UTVIKLING ELLER PRODUKSJON AV MASSEØDELEGGELSESVÅPEN, UTVIKLING ELLER PRODUKSJON AV KJEMISKE OG BIOLOGISKE VÅPEN, ENHVER FORM FOR AKTIVITET KNYTTET TIL KJERNEVÅPEN ELLER UTRYGG BRUK AV KJERNEFYSISK MATERIALE ELLER I FORBINDELSE MED BRUDD PÅ MENNESKERETTIGHETENE. HVIS DET OPPSTÅR KONFLIKTER MELLOM BRUKERHÅNDBOKEN OG GJELDENDE LOVVERK, ER DET SISTNEVNTE SOM GJELDER.

Regulatorisk informasjon

Disse klausulene gjelder kun for produktene med det samsvarende merket eller informasjonen.

Samsvarserklæring for EU



Dette produktet og – hvis aktuelt, også det medfølgende tilbehøret – er «CE»-merket og samsvarer derfor med de gjeldende harmoniserte europeiske standardene som er oppført under direktiv 2014/30/EU (EMCD) og direktiv 2011/65/EU (RoHS).

Merk: Produktene med inngangsspenning mellom 50 til 1000 VAC eller 75 til 1500 VDC samsvarer med direktiv 2014/35/EU (LVD) mens resten av produktene samsvarer med direktiv 2001/95/EC (GPSD). Kontroller den spesifikke strømforsyningsinformasjonen for referanse. For enheter uten medlevert strømadapter brukes et strømadapter fra en kvalifisert produsent. Les produktinformasjonen for mer informasjon om strømkravene.

For enheter uten medlevert batteri brukes et batteri fra en kvalifisert produsent. Se produktspesifikasjonene for detaljer om batterikrav.



Direktiv 2012/19/EU (WEEE-direktiv): Produkter som er merket med dette symbolet kan ikke kastes som restavfall i EU. Produktet skal

returneres for resirkulering, enten til en forhandler/leverandør eller på en miljøstasjon eller et lignende, godkjent mottakssted. For mer informasjon, se www.recyclethis.info.



Direktiv 2006/66/EC og tillegg 2013/56/EU (batteridirektiv): Dette produktet inneholder et batteri som ikke kan kastes som restavfall

innenfor EU. Se produktinformasjonen for spesifikk informasjon om batteriet. Batteriet er

merket med dette symbolet, som også kan inneholde bokstaver for å indikere at det inneholder kadmium (Cd), bly (Pb) eller kvikksølv (Hg). Batteriet skal returneres for resirkulering, enten til en forhandler/leverandør eller til et godkjent mottakssted. For mer informasjon, se www.recyclethis.info.

Kameraets tiltenkte bruk

ATEX: II 3 G Ex ic IIC T6 Gc
II 3 D Ex ic IIIC T85°C Dc

IECEX: Ex ic IIC T6 Gc
Ex ic IIIC T85°C Dc

IP-grad: IP54

Ex-standarder:

IEC 60079-0:2017 IEC 60079-11:2011

Ex-sertifikat:

TÜV 23 ATEX 8963 IECEX TUR 23.0015

Spesielle betingelser for sikker bruk i farlig område:

1. Det er forbudt å endre navn, modeller, spesifikasjoner og parametere for egensikkerhetskretser eller relaterte komponenter, ved bruk og vedlikehold av enheten.
2. Ved demontering eller bruk av enheten, må du sørge for å koble fra strømforsyningen og ikke bruke enheten når den er slått på. Ikke utfør de ovennevnte operasjonene dersom enheten er i et miljø med eksplosive gasser.
3. Enheten bør unngå antennelse forårsaket av elektrostatisk utladning under normal bruk, vedlikehold og rengjøring. Ikke tørk av enheten i det eksplosive gassmiljøet. Hvis det er nødvendig å bytte eller tørke av enheten, bør dette gjøres i et miljø uten eksplosiv gass.
4. Lading eller bytte av enhetens batterier er forbudt i eksplosjonsfarlige områder.
5. Enheten må beskyttes mot eksponering for dagslys eller lys fra armaturer.
6. Enheten må bare lades når den er i et ikke-farlig område, ved å bruke en lader som er spesifikt levert av produsenten for bruk med enheten. Ladetemperaturområdet er 0 °C til 45 °C.
7. Det er forbudt for sluttbrukere å bytte batteriet til enheten.
8. Grensesnittdekslet må blokkere Type-C USB-porten på farlige steder.
9. Slagmotstand ble testet tilsvarende lav risiko for mekanisk fare. Enheten må beskyttes mot sterke slag.

Sikkerhetsinstruksjoner

Formålet med disse instruksjonene er at brukeren skal kunne bruke produktet riktig for å unngå skade og tap av eiendom.

Love og forskrifter

- Bruk av produktet må være i fullstendig samsvar med lokale sikkerhetsregulering for elektrisitet.

Transport

- Enheten skal oppbevares i den originale emballasjen (eller lignende) under transport.
- Oppbevar all emballasje etter åpning for fremtidig bruk. I tilfelle det oppstår feil, må du returnere enheten til fabrikken i den originale emballasjen. Transport uten den originale emballasjen kan føre til skader på enheter, et ansvar som ikke dekkes av selskapet.
- Produktet må ikke slippes i bakken eller utsettes for fysiske støt. Hold enheten borte fra magnetiske forstyrrelser.

Strømforsyning

- Inngangsspenningen skal møte den begrensede strømkilden (3,7 VDC, 0,5 A) i henhold til IEC61010-1-standarden. Les den tekniske dokumentasjonen for mer informasjon.
- Sørg for at kontakten er satt riktig inn i stikkkontakten.
- Koble IKKE flere enheter til ett strømadapter. Overbelastning av adaptere kan føre til overoppheting og brannfare.
- Bruk strømadapter levert av en godkjent produsent. Les produktinformasjonen for mer informasjon om strømkravene.

Batteri

- Det innebyggede batteriet kan ikke demonteres. Kontakt produsenten for reparasjoner ved behov. Batteriet kan eksplodere dersom det byttes med feil type. Erstatt det kun med samme eller tilsvarende type. Avhending av brukte batterier skjer i samsvar med instruksjonene gitt av batteriprodusenten.
- Bruk batterier levert av en godkjent produsent. Se produktspesifikasjonene for detaljer om batterikrav.
- Ved langvarig lagring må batteriet fullades hvert halvår for å bevare batterikvaliteten. Hvis ikke kan det oppstå skader.
- Sørg for at kontakten er satt riktig inn i stikkkontakten.
- Når enheten er slått av og RTC-batteriet er fullt, kan tidsinnstillingene beholdes i fire måneder.
- Før første gangs bruk må litiumbatteriet lades i minst åtte timer.

Vedlikehold

- Hvis produktet ikke fungerer som det skal, må du kontakte forhandleren eller nærmeste

servicesenter. Vi har ikke noe som helst ansvar for problemer forbundet med uautorisert reparasjon eller vedlikehold.

- Tørk forsiktig av enheten med en ren klut og en liten mengde etanol ved behov.
- Hvis enheten brukes på måter som ikke støttes av produsenten, kan enheten og funksjonene dens forringes.
- Kameraet ditt vil med jevne mellomrom utføre en selvkalibrering for å optimere bilde kvaliteten og målenøyaktigheten. I denne prosessen vil bildet stoppe en kort stund, og du vil høre et «klikk» når en lukker beveger seg foran detektoren. Selvkalibreringen vil være hyppigere under oppstart eller i svært kalde eller varme omgivelser. Dette er en normal del av driften for å sikre optimal ytelse for kameraet ditt.

Kalibreringstjeneste

- Vi anbefaler at du sender enheten tilbake for kalibrering én gang i året. Kontakt din lokale forhandler for å få informasjon om serviceleverandører. For en mer detaljerte kalibreringstjenester kan du besøke <https://www.hikmicrotech.com/en/support/calibration-service.html>.

Bruksomgivelser

- Sørg for at bruksomgivelsene oppfyller kravene til enheten. Driftstemperaturen må være -20 °C til 40 °C (-4 °F til 104 °F), luftfuktigheten må være 95 % eller mindre.
- Plasser enheten i et tørt og godt ventilert miljø.
- IKKE eksponer enheten for høy elektromagnetisk stråling eller støvete miljøer.
- Linsen må IKKE rettes mot solen eller andre sterke lyskilder.
- Når laserutstyr er i bruk, må det sørges for at enhetens linse ikke eksponeres for laserstrålen for å unngå at den brenner ut.

Teknisk støtte

<https://www.hikmicrotech.com/en/contact-us.html> kan hjelpe HIKMICRO-kunder med å få mest mulig ut av HIKMICRO-produktene sine. Portalen gir tilgang til støtteteamet, programvare og dokumentasjon, tjenestekontrakter o.l.

Nød

Hvis det kommer røyk, lukt eller støy fra enheten, må du øyeblikkelig skru av strømmen, trekke ut strømledningen og kontakte et servicesenter.

Produsentens adresse

Rom 313, enhet B, bygning 2, 399 Danfeng-veien, Xixing Subdistrict, Binjiang-distriktet, Hangzhou, Zhejiang 310052, Kina
Hangzhou Microimage Software Co., Ltd.

MERKNAD OM SAMSVAR: Produktene i termoserien kan bli underlagt eksportkontroller i forskjellige land eller regioner, inkludert, uten begrensning, USA, Den europeiske union, Storbritannia og Nord-Irland og/eller andre medlemsland i Wassenaar-avtalen. Snakk med din profesjonelle juridiske ekspert eller samsvarekspt, eller lokale myndigheter for eventuelle nødvendige eksportlisenskrav hvis du ønsker å overføre, eksportere, re-eksportere termoserie-produkter mellom forskjellige land.

Suomi

1. Lyhyt kuvaus

Kannettava lämpökamera, jossa on muovikuori, käytetään pääasiassa muissa räjähdysvaarallisissa kaasuympäristöissä kuin metaanikaasuympäristöissä.

2. Ulkonäkö (sivu 1)

Laitteen ulkonäkö voi vaihdella eri mallien mukaan. Katso todellisen tuotteen mallin mukaan.

Painikkeet ja liitännät

Nro	Kuvaus	Toiminto
1	Näyttö	Näyttää live-näkymän.
2	Latauksen merkkivalo	<ul style="list-style-type: none"> Tasaisesti palava punainen: normaali lataaminen. Tasaisesti palava vihreä: täyteen ladattu.
3	Virtapainike	<ul style="list-style-type: none"> Paina: Näytä valikko tai vahvista toiminto. Pidä painettuna: kytke/katkaise virta.
4	Takaisin-painike	Poistu valikosta tai palaa edelliseen valikkoon.
5	Summeri	Äänihälytystä varten.
6	Siirtymispainike	Paina valitaksesi parametrit.
7	Optinen linssi	Katso optista kuvaa.
8	Lämpölinssi	Katso lämpökuvaa.
9	LED-valo	Lisää ympäristön kirkkautta hämärässä ympäristössä.
10	Objektiivin suojuksen kytkin	Asenna tai irrota objektiivin suojus.
11	Käynnistin	<ul style="list-style-type: none"> Ota tilannekuvia painamalla

		käynnistintä live-näyttönäkymässä. <ul style="list-style-type: none"> Kun olet valikkotilassa, paina käynnistintä palataksesi live-näkymään.
12	Kolmijalan liitäntä	Kolmijalan kiinnittämiseen.
13	Rannehinnan kiinnityspiste	Rannehinnan kiinnittämiseen.
14	Type-C-liitäntä	Lataa laite tai vie tiedostoja USB Type-A – Type-C-kaapelilla.

3. Laitteen lataaminen

Kun laite käynnistyy, kuvaruutunäytössä (OSD) näkyy akun varaustila. Jos akun varaus on alhainen, lataa laite ja varmista, että se toimii oikein.

Lataa laitetta ensimmäisellä latauskerralla yli 8 tuntia, kun laitteeseen on kytketty virta.

Vaiheet

- Nosta Type-C-kansi.
- Liitä USB Type-A – Type-C-kaapeli ja lataa laite.

Käyttöopas



Oikeudelliset tiedot

Tietoa käyttöohjeesta

Käyttöohjeessa on ohjeita tuotteen käyttämiseen ja hallintaan liittyen. Kuvat, kaaviot ja muut tiedot ovat tästä eteenpäin ainoastaan kuvaus- ja selitystarkoituksiin. Käyttöohjeen sisältämiä tietoja voidaan muuttaa ilman erillistä ilmoitusta laiteohjelmiston päivityksen vuoksi tai muusta syystä. Etsi tämän käyttöoppaan viimeisin versio HIKMICRO-verkkosivustolta (www.hikmicrotech.com/).

Käytä tätä käyttöopasta ohjeena ja tuotteen käyttöön koulutettujen ammattilaisten apuna. Tämä käyttöopas koskee seuraavia malleja: HM-TP52N-3AQF-BX20, BX20, HM-TP5XY-ABCDEF, HM-TP5A-XY, HM-TP51N-3AQF, HM-TP53N-3AQF, HM-TP5XN-A, HM-TP5AB-XY, HM-TP5AB-XYZ, HM-TP5XY-AB, HM-TP5XY-A.

VASTUUVAPAUCLAUSEKE

TÄMÄ KÄYTTÖOPAS JA KUVATTU TUOTE (SISÄLTÄÄ LAITTEISTON, OHJELMISTON JA

LAITEOHJELMISTON) TOIMITETAAN SELLAISENAAN KAIKKINE VIKOINEEN JA VIRHEINEEN SIINÄ MÄÄRIN KUIN SOVELLETTAVAT LAIT SEN SALLIVAT. HIKMICRO EI ANNA MITÄÄN NIMEENOMAISIA TAI EPÄSUORIA TAKUITA, MUKAAN LUKIEN NÄIHIN KUITENKAAN RAJOITTUMATTA, MYYNTIKELPOISUUS, TYYDYTTÄVÄ LAATU TAI SOVELTUVUUS TIETTYYN KÄYTTÖTARKOITUKSEEN. TUOTTEEN KÄYTTÖ ON TÄYSIN OMALLA VASTUULLASI. HIKMICRO EI OLE MISSÄÄN TAPAUKSESSA VASTUUSSA SINULLE MISTÄÄN TUOTTEEN KÄYTTÄMISEEN LIITTYVISTÄ ERITYISISTÄ, SEURAAMUKSELLISISTA, TAHATTOMISTA TAI EPÄSUORISTA VAHINGOISTA, MUKAAN LUKIEN MUIDEN LISÄKSI LIIKETOIMINNAN TUOTON MENETTÄMINEN, LIIKETOIMINNAN KESKEYTYMINEN, TIETOJEN MENETTÄMINEN, JÄRJESTELMIEN VAHINGOITTUMINEN, DOKUMENTAATION MENETTÄMINEN, RIIPPUMATTA SIITÄ, ONKO KYSEESSÄ SOPIMUSRIKKOMUS, VAHINKO (MUKAAN LUKIEN HUOLIMATTOMUUS), TUOTEVASTUU TAI MUU, VAIKKA HIKMICROLLE OLISI ILMOITETTU NÄIDEN VAHINKOJEN TAI MENETYSTEN MAHDOLLISUUDESTA. HYVÄKSYT, ETTÄ INTERNET SISÄLTÄÄ LUONNOSTAAN TIETOTURVARISKEJÄ, EIKÄ HIKMICRO OLE VASTUUSSA EPÄNORMAALISTA TOIMINNASTA, YKSITYISTIETOJEN VUOTAMISESTA TAI MUISTA VAHINGOISTA, JOTKA JOHTUVAT TIETOVERKKOHOYÖKKÄYKSISTÄ, HAKKERIHOYÖKKÄYKSISTÄ, VIRUSTARTUNNASTA TAI MUISTA TIETOTURVARISKEISTÄ, MUTTA HIKMICRO TARJOAA TARVITTAESSA TEKNISTÄ TUKEA. SUOSTUT KÄYTTÄMÄÄN TÄTÄ TUOTETTA KAIKKIEN SOVELLETTAVISSA OLEVIEN LAKIEN MUKAISESTI, JA OLET YKSIN VASTUUSSA SEN VARMISTAMISESTA, ETTÄ KÄYTTÖSI NOUDATTA SOVELLETTAVISSA OLEVAA LAKIA. OLET ERITYISESTI VASTUUSSA TÄMÄN TUOTTEEN KÄYTTÄMISESTÄ SELLAISELLA TAVALLA, ETTÄ KÄYTTÖ EI RIKO KOLMANSIEN OSAPUOLTEN OIKEUKSIA, MUKAAN LUKIEN MUTTA NÄIHIN RAJOITTUMATTA, JULKAISUOIKEUS, IMMATERIAALIOIKEUDET TAI TIETOSUOJA JA MUUT YKSITYISYYDEN SUOJAT. SINULLA EI OLE LUPAA KÄYTTÄÄ TÄTÄ TUOTETTA MIHINKÄÄN KIELLETTYYN TARKOITUKSEEN, MUKAAN LUKIEN JOUKKOTUHOASEIDEN KEHITYS TAI TUOTANTO, KEMIAALLISTEN TAI BIOLOGISTEN ASEIDEN KEHITYS TAI TUOTANTO TAI MIHINKÄÄN TOIMINTOIHIN, JOTKA LIITTYVÄT MIHINKÄÄN YDINASEESEEN TAI VAARALLISEEN YDINPOLTTOAINEKIERTOON TAI IHMISOIKEUKSIEN RIKKOMISEN TUKEMISEEN.

MIKÄLI TÄMÄ KÄYTTÖOPAS JA SOVELLETTAVA LAKI OVAT RISTIRIIDASSA, SOVELLETAAN JÄLKIMMÄISTÄ.

Sääntelyä koskevat tiedot

Näitä lausekkeita sovelletaan ainoastaan tuotteisiin, joissa on vastaava merkki tai tieto.

EU:n vaatimustenmukaisuusilmoitus



Tämä tuote ja mahdolliset lisävarusteet on merkitty CE-merkinnällä ja noudattavat sovellettavia

yhdenmukaistettuja eurooppalaisia standardeja, jotka on lueteltu direktiivissä 2014/30/EU (EMCD) ja direktiivissä 2011/65/EU (RoHS).

Huomautus: Tuotteet, joiden tulojännite on 50–1000 VAC tai 75–1500 V DC, noudattavat direktiiviä 2014/35/EU (LVD), ja loput tuotteet noudattavat direktiiviä 2001/95/EC (GPSD).

Tarkista erityiset virtalähdetiedot viitteeksi.

Jos laitteen mukana ei ole toimitettu virtalähdettä, käytä pätevän valmistajan toimittamaa virtalähdettä. Tuotteen teknisissä tiedoissa on lisätietoa virtaa koskevista vaatimuksista.

Jos laitteen mukana ei ole toimitettu akkua, käytä pätevän valmistajan toimittamaa akkua. Tuotteen teknisissä tiedoissa on lisätietoa akkua koskevista vaatimuksista.



Direktiivi 2012/19/EU (WEEE-direktiivi): Tällä symbolilla merkittyjä tuotteita ei saa hävittää

lajittelemattoman yhdyskuntajätteen mukana Euroopan unionissa. Kierrätä tuote asianmukaisesti palauttamalla se paikalliselle myyjälle vastaavan uuden laitteen hankkimisen yhteydessä tai viemällä se asianmukaiseen keräyspisteeseen. Lisätietoja on osoitteessa: www.recyclethis.info.



Direktiivi 2006/66/EY ja sen muutosdirektiivi 2013/56/EU (paristodirektiivi): Tässä tuotteessa on paristo tai akku, jota ei saa hävittää

lajittelemattoman yhdyskuntajätteen mukana Euroopan unionissa. Lisätietoja paristosta tai akusta on tuotteen asiakirjoissa. Paristo tai akku on merkitty tällä symbolilla, ja siihen voi sisältyä käytetyn aineen eli kadmiumin (Cd), lyijyn (Pb) tai elohopean (Hg) kirjainmerkintä. Kierrätä paristo tai akku asianmukaisesti viemällä se myyjälle tai asianmukaiseen keräyspisteeseen. Lisätietoja on osoitteessa: www.recyclethis.info.

Kameran käyttötarkoitus

ATEX: II 3 G Ex ic IIC T6 Gc
II 3 D Ex ic IIIC T85°C Dc

IECEX: Ex ic IIC T6 Gc
Ex ic IIIC T85°C Dc

IP-luokitus: IP54

Ex-standardit:

IEC 60079-0:2017 IEC 60079-11:2011

Ex-sertifikaatti:

TÜV 23 ATEX 8963 IECEX TUR 23.0015

Turvallista käyttöä koskevat erityisehdot vaarallisilla alueilla:

1. Luonnostaan vaarattomien piirien tai niihin liittyvien komponenttien nimien, mallien, spesifikaatioiden ja parametrien muuttaminen laitteen käytön ja huollon yhteydessä on kielletty.
2. Kun purat laitetta tai käytät sitä, varmista, että irrotat virransyötön, äläkä käytä laitetta, kun siihen on kytketty virta. Älä suorita edellä mainittuja toimenpiteitä, jos laite on räjähdysvaarallisessa kaasuympäristössä.
3. Laitteen syttymistä sähköstaattisen purkauksen takia on vältettävä normaalin käytön, huollon ja puhdistuksen aikana. Älä pyyhi laitetta räjähdysvaarallisessa kaasuympäristössä. Jos laite on tarpeen vaihtaa tai pyyhkiä, se on tehtävä ympäristössä, jossa ei ole räjähtävää kaasua.
4. Laitteen akkujen lataaminen tai vaihtaminen on kielletty vaarallisilla alueilla.
5. Laite on suojattava altistumiselta päivänvalolle tai valaisimien valolle.
6. Laitetta saa ladata vain vaarattomalla alueella käyttämällä valmistajan erityisesti laitteen kanssa käytettäväksi toimittamaa laturia. Latauslämpötila-alue on 0–45 °C.
7. Loppukäyttäjät eivät saa vaihtaa laitteen akkua.
8. Liitäntäkannen tulee peittää Type-C-USB-portti vaarallisessa paikassa.
9. Iskunkestävyys on testattu mekaanisen vaaran vähäisen riskin mukaisesti. Laite on suojattava voimakkailta iskuilta.

Turvallisuusohjeet

Näiden ohjeiden tarkoituksena on varmistaa, että käyttäjä voi käyttää laitetta oikein ja välttää vaaratilanteet tai omaisuusvahingot.

Lait ja määräykset

- Tuotteen käytössä on noudatettava tarkasti paikallisia sähköturvallisuusmääräyksiä.

Kuljetus

- Säilytä laitetta alkuperäispakkauksessaan tai sitä vastaavassa pakkauksessa, kun kuljetat sitä.
- Säilytä kaikki pakkaukset myöhempää käyttöä varten. Jos laitteeseen tulee vika, laite on palautettava tehtaalte alkuperäispakkauksessaan. Kuljettaminen muussa kuin alkuperäispakkauksessa voi

johtaa laitteen vahingoittumiseen, eikä yritys ota siitä mitään vastuuta.

- Älä pudota tuotetta tai altista sitä iskuille. Pidä laite loitolla magneettisten häiriöiden lähteistä.

Virtalähde

- Tulojännitteen on vastattava LPS-virtalähteelle (3,7 V DC, 0,5 A) asetettuja vaatimuksia IEC61010-1-standardin mukaisesti. Lisätietoa on tuotteen teknisissä tiedoissa.
- Varmista, että pistoke on liitetty oikein pistorasiaan.
- ÄLÄ liitä useita laitteita samaan virtasovittimeen ylikuormituksesta aiheutuvan tulipalovaaran välttämiseksi.
- Käytä pätevän valmistajan toimittamaa virtasovitinta. Tuotteen teknisissä tiedoissa on lisätietoa virtaa koskevista vaatimuksista.

Akku

- Sisäänrakennettua akkua ei voi irrottaa. Ota yhteyttä valmistajaan, jos se vaatii korjauksia. Akku voi räjähtää, jos se vaihdetaan vääryntyyppiseen. Vaihda akku tai paristo ainoastaan samanlaiseen tai vastaavaan tuotteeseen. Hävitä käytetyt akut ja paristot valmistajan antamien ohjeiden mukaisesti.
- Käytä pätevän valmistajan toimittamaa akkua. Tuotteen teknisissä tiedoissa on lisätietoa akkua koskevista vaatimuksista.
- Kun akkua varastoidaan pitkän aikaa, varmista, että se ladataan täyteen puolen vuoden välein. Näin varmistetaan akun suorituskyvyn säilyminen. Muuten voi syntyä vahinkoja.
- Varmista, että pistoke on liitetty oikein pistorasiaan.
- Kun laitteen virta on kytketty pois ja RTC-akku on täynnä, aika-asetukset säilyvät 4 kuukautta.
- Lataa litiumakkua yli 8 tunnin ajan ennen ensimmäistä käyttökertaa.

Kunnossapito

- Jos tuote ei toimi oikein, ota yhteys jälleenmyyjään tai lähimpään huoltokeskukseen. Emme ole vastuussa ongelmista, jotka johtuvat luvattomista korjauksista huoltotoista.
- Pyyhi laitteen pinnat varovaisesti puhtaalla liinalla ja tarvittaessa pienellä määrällä etanolia.
- Jos laitetta käytetään muulla kuin valmistajan määrittämällä tavalla, laitteen tarjoama suojaus saattaa heikentyä.
- Kamera kalibroi itsensä ajoittain kuvanlaadun ja mittaustarkkuuden optimoimiseksi. Tässä prosessissa kuva keskeytyy lyhyeksi aikaa ja kuulet napsahduksen, kun suljin liikkuu

tunnistimen edessä. Itsekalibrointi tapahtuu useammin käynnistyksen aikana tai hyvin kylmissä tai kuumissa ympäristöissä. Tämä on normaali osa toimintaa ja varmistaa kameran optimaalisen suorituskyvyn.

Kalibrointihuolto

- Suosittelemme lähettämään laitteen kerran vuodessa takaisin kalibroitavaksi. Ota yhteyttä paikalliseen jälleenmyyjään saadaksesi lisätietoja valtuutetuista huoltopisteistä. Lisätietoa kalibrointihuollosta on osoitteessa <https://www.hikmicrotech.com/en/support/calibration-service.html>.

Käyttöympäristö

- Varmista, että käyttöympäristö täyttää laitteelle määritetyt vaatimukset. Käyttölämpötilan on oltava -20 °C - 40 °C ja ilmankosteuden enintään 95 %.
- Sijoita laite kuivaan ja hyvin ilmastoituun paikkaan.
- ÄLÄ altista laitetta suurelle sähkömagneettiselle säteilylle tai pölyiselle ympäristölle.
- ÄLÄ suuntaa objektiivia aurinkoon tai muuhun kirkkaaseen valoon.
- Kun laserlaitetta käytetään, varmista, ettei lasersäde osu laitteen kennoon. Muussa tapauksessa kenno voi palaa.

Tekninen tuki

<https://www.hikmicrotech.com/en/contact-us.html> auttaa HIKMICRO-asiakkaita hyödyntämään HIKMICRO-tuotteita mahdollisimman tehokkaasti. Portaalien kautta saa yhteyden tukitiimiimme ja sen kautta pääsee tarkastelemaan ohjelmistoa, dokumentaatiota, huoltosopimuksia jne.

Hätä

Jos laitteesta erittyy savua tai hajua tai laite pitää ääntä, kytke laitteen virta pois päältä, irrota virtajohto ja ota yhteyttä palvelukeskukseen.

Valmistajan osoite

Huone 313, yksikkö B, rakennus 2, 399 Danfeng-tie, Xixing-alapiirikunta, Binjiang-piirikunta, Hangzhou, Zhejiang 310052, Kiina
Hangzhou Microimage Software Co., Ltd.

VAATIMUSTENMUKAISUUSILMOITUS:

Lämpöteknologiatuotteisiin saattaa kohdistua vientivalvontaa eri maissa tai alueilla, mukaan lukien rajoituksetta Yhdysvallat, Euroopan unioni, Yhdistynyt kuningaskunta ja/tai muut Wassenaarin järjestelyn jäsenmaat. Neuvottele oikeudellisen asiantuntijan tai vaatimustenmukaisuusasiantuntijan tai

paikallisen viranomaisen kanssa saadaksesi tietoja vientilupavaatimuksista, jos aiot siirtää, viedä tai jälleenviedä lämpöteknologiatuotteita eri maihin.

Svenska

1. Kort beskrivning

Den bärbara värmekameran med plasthölje som huvudsakligen används i miljöer med explosiva gaser förutom metangas.

2. Utseende (sida 1)

Enhetens utseende kan variera beroende på de olika modellerna. Använd den faktiska kameran som referens.

Knappar och gränssnitt

Nr	Beskrivning	Funktion
1	Display	Visar realtidsvisning.
2	Laddning-sindikering	• Lyser rött: Laddar normalt. • Lyser grönt: Fulladdad.
3	Strömknapp	• Tryck: Visa meny eller bekräfta åtgärd. • Håll intryckt: Ström på/av.
4	Bakåtknapp	Avsluta menyn eller återgå till föregående meny.
5	Summer	Avge hörbart larm.
6	Navigeringsknapp	Tryck på för att välja parametrar.
7	Optiskt objektiv	Visar den optiska bilden.
8	Värmeobjektiv	Visar den termiska bilden.
9	LED-belysning	Ökar omgivningens belysning i mörka miljöer.
10	Omkopplare för objektivskydd	Montera eller ta bort linsskyddet.
11	Avtryckare	• Tryck på avtryckaren i gränssnittet för realtidsvisning, för att ta stillbilder. • Tryck på avtryckaren i menyläge, för att gå tillbaka till realtidsvisningen.
12	Fäste för stativ	För att fästa stativet.
13	Fästpunkt för handledsrem	Montera handledsremmen.
14	Type-C anslutning	Ladda enheten eller exportera filer med

	USB Type-A till Type-C kabel.
--	-------------------------------

3. Laddning av enheten

När enheten har startat visas batteristatusen på bildskärmen (bildskärmsvisning). Ladda enheten när batterinivån är låg, och kontrollera att den fungerar korrekt.

Vid den första laddningen bör du ladda enheten i över åtta timmar efter att enheten har slagits på.

Steg

1. Lyft på type C-locket.
2. Anslut USB Type-A till Type-C kabeln och ladda enheten.

Bruksanvisning



Juridisk information

Om bruksanvisningen

Bruksanvisningen innehåller anvisningar för användning och underhåll av produkten. Bilder, diagram, illustrationer och all övrig information är enbart avsedda som beskrivningar och förklaringar. Informationen i handboken kan komma att ändras, utan föregående meddelande, vid uppgradering av fast programvara eller av andra skäl. Den senaste versionen av bruksanvisningen finns på HIKMICRO:s webbplats (www.hikmicrotech.com/).

Använd bruksanvisningen tillsammans med vägledning och assistans från yrkespersoner som utbildats i att ge stöd för produkten.

Bruksanvisningen är tillämplig för följande modeller: HM-TP52N-3AQF-BX20, BX20, HM-TP5XY-ABCDEF, HM-TP5A-XY, HM-TP51N-3AQF, HM-TP53N-3AQF, HM-TP5XN-A, HM-TP5AB-XY, HM-TP5AB-XYZ, HM-TP5XY-AB, HM-TP5XY-A.

JURIDISK FRISKRIVNING

BRUKSANVISNINGEN OCH DEN PRODUKT SOM BESKRIVS, MED DESS HÅRDVARA, MJUKVARA OCH FIRMWARE TILLHANDAHÅLLES "I BEFINTLIGT SKICK" OCH "MED ALLA FEL OCH BRISTER" SÅ LÅNGT DETTA ÄR TILLÅTET ENLIGT TILLÄMPLIG LAGSTIFTNING. HIKMICRO UTFÄRDAR INGA GARANTIER, VARKEN UTTRYCKLIGA ELLER UNDERFÖRSTÅDDA, INKLUSIVE UTAN BEGRÄNSNING, FÖR SÄLJBARHET, TILLFREDSSTÄLLANDE KVALITET ELLER LÄMPLIGHET FÖR ETT VISST ÄNDAMÅL. ANVÄNDNING AV PRODUKTEN SKER HELT PÅ EGEN RISK. UNDER INGA OMSTÄNDIGHETER

KOMMER HIKMICRO ATT VARA ANSVARIGT GENTEMOT DIG FÖR EVENTUELLA SÄRSKILDA SKADOR, FÖLJDSKADOR, OAVSIKTLIGA SKADOR ELLER INDIREKTA SKADOR, INKLUSIVE BLAND ANNAT SKADESTÅND FÖR FÖRLORAD AFFÄRSVINST, VERKSAMHETSSTÖRNING, FÖRLUST AV DATA ELLER DOKUMENTATION, ELLER SYSTEMSKADA, OAVSETT OM DETTA BASERAS PÅ AVTALSBRÖTT, ÅTALBAR HANDLING (INKLUSIVE FÖRSUMLIGHET), PRODUKTANSVAR ELLER ANNAT I SAMBAND MED ANVÄNDNINGEN AV PRODUKTEN, ÄVEN OM HIKMICRO HAR MEDDELATS ATT RISKEN FÖR SÅDANA SKADOR ELLER FÖRLUSTER FÖRELIGGER.

DU BEKRÄFTAR ATT INTERNETS NATUR INNEBÄR INBYGGDA SÄKERHETSRISKER OCH HIKMICRO TAR INGET ANSVAR FÖR ONORMAL ANVÄNDNING, INTEGRITETSLÄCKOR ELLER ANDRA SKADOR SOM ORSAKAS AV CYBERATTACKER, HACKERATTACKER, VIRUSANGREPP ELLER ANDRA SÄKERHETSRISKER MED INTERNET. HIKMICRO KOMMER DOCK ATT TILLHANDAHÅLLA LÄMPLIG TEKNISK SUPPORT OM SÅ KRÄVS. DU SAMTYCKER TILL ATT ANVÄNDA PRODUKTEN I ENLIGHET MED ALLA TILLÄMPLIGA LAGAR OCH DU ÄR ENSAMT ANSVARIG FÖR ATT SÄKERSTÄLLA ATT DIN ANVÄNDNING EFTERLEVER TILLÄMPLIGA LAGAR. DU ÄR I SYNNERHET ANSVARIG FÖR ATT ANVÄNDA PRODUKTEN PÅ ETT SÅDANT SÄTT ATT DEN INTE INKRÄKTAR PÅ NÅGRA RÄTTIGHETER SOM ÄGS AV TREDJE PART, INKLUSIVE UTAN BEGRÄNSNING, RÄTTEN TILL PUBLICERING, IMMATERIELLA RÄTTIGHETER, SAMT DATASKYDD OCH ANDRA INTEGRITETS RÄTTIGHETER. DU FÅR INTE ANVÄNDA PRODUKTEN FÖR NÅGRA FÖRBJUDNA SLUTANVÄNDNINGAR, INKLUSIVE UTVECKLING ELLER PRODUKTION AV MASSFÖRSTÖRELSEVAPEN, UTVECKLING ELLER PRODUKTION AV KEMISKA ELLER BIOLOGISKA STRIDSMEDEL, ELLER NÅGRA AKTIVITETER SOM ÄR RELATERADE TILL NUKLEÄRA SPRÄNGMEDEL ELLER OSÄKRA NUKLEÄRA BRÄNSLECYKLER, ELLER SOM STÖD FÖR ÖVERGREPP AV MÄNSKLIGA RÄTTIGHETER. I DE FALL INNEHÅLLET I BRUKSANVISNINGEN STÅR I KONFLIKT MED TILLÄMPLIGA LAGAR, GÄLLER DE SISTNÄMNDNA.

Föreskrifter

Dessa villkor gäller endast för de produkter som är försedda med motsvarande märke eller information.

EU-försäkran om överensstämmelse



Den här produkten och, om tillämpligt, även de medföljande tillbehören är CE-märkta och överensstämmer därför

med harmoniserade europeiska standarder i direktivet 2014/30/EU (EMC) och direktivet 2011/65/EG (RoHS).

Obs! Produkter med inspänning mellan 50 och 1 000 VAC eller 75 och 1 500 VDC överensstämmer med direktivet 2014/35/EU (LVD) och resten av produkterna överensstämmer med direktivet 2001/95/EG (GPSD). Mer information finns på den specifika strömförsörjningen.

Använd den strömadapter som tillhandahålls av en behörig tillverkare för enheter utan bifogad strömadapter. Se produktens specifikation för detaljerade strömförsörjningskrav.

Använd det batteri som tillhandahålls av en godkänd tillverkare, för enheten utan ett medföljande batteri. Se produktens specifikation för detaljerade krav på batteriet.



Direktiv 2012/19/EU (WEEE-direktivet): Produkter märkta med denna symbol får inte avfallshanteras som osorterat hushållsavfall inom EU.

Produkten måste återlämnas till din lokala återförsäljare för korrekt återvinning, vid inköp av motsvarande ny utrustning, eller lämnas in på en särskild återvinningsstation. För ytterligare information se: www.recyclethis.info.



Direktiv 2006/66/EG och dess ändring 2013/56/EU (batteridirektivet): Produkten innehåller ett batteri som inte får

avfallshanteras som osorterat hushållsavfall inom EU. Se produktens dokumentation för specifik information om batteriet. Batteriet är märkt med denna symbol, som kan innehålla bokstäver för att indikera kadmium (Cd), bly (Pb) eller kvicksilver (Hg). Batteriet måste återlämnas till din återförsäljare eller lämnas in på en särskild återvinningsstation för korrekt återvinning. Mer information finns på: www.recyclethis.info.

Avsedd användning för kameran

ATEX: II 3 G Ex ic IIC T6 Gc
II 3 D Ex ic IIIC T85°C Dc

IECEX: Ex ic IIC T6 Gc
Ex ic IIIC T85°C Dc

IP-klassificering: IP54

Ex Standarder:

IEC 60079-0:2017 IEC 60079-11:2011

Ex-certifikat:

TÜV 23 ATEX 8963 IECEX TUR 23.0015

Särskilda villkor för säker användning i riskområden:

1. Det är förbjudet att ändra namnen, modellerna, specifikationerna och parametrarna för inbyggda säkerhetskretsar eller relaterade komponenter vid användning eller underhåll av enheten.
2. Vid demontering eller användning av enheten, måste du koppla ifrån strömförsörjningen och inte använda enheten när den är påslagen. Utför inte några av de ovanstående åtgärderna om enheten finns i en miljö med explosiva gaser.
3. Håll enheten på avstånd från antändning som orsakas av elektrostatisk urladdning vid normal användning, underhåll och rengöring. Enheten får inte torkas miljöer med explosiva gaser. Om det är nödvändigt att ersätta eller torka av enheten, måste det slutföras i en miljö utan explosiva gaser.
4. Laddning eller byte av batterier får inte utföras i riskområden.
5. Enheten får inte exponeras för dagsljus eller ljus från belysningar.
6. Enheten får endast laddas utanför riskområdet med en laddare med en laddare som levereras av tillverkaren och är särskilt avsedd för enheten. Temperaturområdet vid laddning är 0 °C till 45 °C.
7. Enhetens batteri får inte bytas av slutanvändaren.
8. Gränssnittets lock blockerar USB Type-C porten i riskområden.
9. Tåligheten mot stötar har testats i enlighet med låg risk för mekanisk skada. Enheten får inte utsättas för starka stötar.

Säkerhetsföreskrifter

Föreskrifterna är avsedda att säkerställa att användaren kan använda produkten på ett korrekt sätt för att undvika fara eller förlust av egendom.

Lagar och bestämmelser

- Användning av produkten måste följa lokala förordningar rörande elsäkerhet.

Transport

- Förvara enheten i ursprungsförpackningen eller en liknande förpackning vid transport.
- Behåll allt förpackningsmaterial efter uppackningen för framtida bruk. Vid eventuella fel måste du returnera enheten till fabriken med det ursprungliga förpackningsmaterialet. Transport utan det ursprungliga förpackningsmaterialet kan medföra att enheten skadas och företaget åtar sig inget ansvar för detta.

- Produkten får INTE tappas eller utsättas för fysiska stötar. Håll enheten på avstånd från magnetiska störningar.

Strömförsörjning

- Ingångsspänningen ska överensstämma med begränsad strömkälla (3,7 VDC, 0,5 A) enligt IEC61010-1-standarden. Se de tekniska specifikationerna för detaljerad information.
- Kontrollera att kontakten är korrekt ansluten till eluttaget.
- För att undvika överhettning och brandfara orsakad av överbelastning får du INTE ansluta flera enheter till en och samma strömadapter.
- Använd strömadaptern som tillhandahålls av en behörig tillverkare. Se produktens specifikation för detaljerade strömförsörjningskrav.

Batteri

- Det inbyggda batteriet kan inte tas bort. Kontakta tillverkaren för reparation om så behövs. Det finns explosionsrisk om ett batteri ersätts med en felaktig typ. Batteriet måste ersättas med likadana eller likvärdiga batterier. Avfallshandla förbrukade batterier i enlighet med anvisningarna från batteritillverkaren.
- Använd batteriet som tillhandahålls av en behörig tillverkare. Se produktens specifikation för detaljerade krav på batteriet.
- Vid långtidsförvaring av batteriet, måste det laddas helt en gång i halvåret för att batteriets kvalitet ska bevaras. Annars, kan skador uppstå.
- Kontrollera att kontakten är korrekt ansluten till eluttaget.
- När enheten stängs av och realtidsklockans batteri är fulladdat, bibehålls tidsinställningarna i fyra månader.
- Ladda litiumbatteriet i mer än åtta timmar före första användning.

Underhåll

- Kontakta din återförsäljare eller närmaste servicecenter, om produkten inte fungerar som den ska. Vi åtar oss inget ansvar för problem som orsakats av obehörig reparation eller obehörigt underhåll.
- Torka försiktigt av enheten med en ren trasa och en liten mängd etanol, vid behov.
- Om utrustningen används på ett sätt som inte anges av tillverkaren kan det skydd som ges av enheten försämrats.
- Kameran utför regelbundet en självkalibrering för att optimera bildkvaliteten och mättnoggrannheten. Under denna process kommer bilden att pausas kortvarigt och du kommer att höra ett "klick" när en slutare rör

sig framför detektorn. Självkalibreringen kommer att ske oftare under uppstart eller i mycket kalla eller varma miljöer. Detta är en normal del av driften för att säkerställa optimala prestanda för kameran.

Kalibreringstjänst

- Vi rekommenderar att du skickar tillbaka enheten för kalibrering en gång om året, och kontaktar din lokala återförsäljare för information om underhållspunkter. För mer detaljerad information, besök <https://www.hikmicrotech.com/en/support/calibration-service.html>.

Användningsmiljö

- Se till att användningsmiljön motsvarar enhetens krav. Drifttemperaturen måste vara -20 °C till 40 °C (-4 °F till 104 °F), och luftfuktigheten 95 % eller lägre.
- Placera enheten i en torr miljö med god ventilation.
- Enheten FÅR INTE utsättas för kraftig elektromagnetisk strålning eller dammiga miljöer.
- Objektivet får INTE riktas mot solen eller andra starka ljuskällor.
- Om någon laserutrustning används, måste du se till att enhetens objektiv inte exponeras för laserstrålen, då detta kan medföra att objektivet bränns sönder.

Teknisk support

<https://www.hikmicrotech.com/en/contact-us.html> hjälper dig som HIKMICRO-kund att dra mesta möjliga fördel av dina HIKMICRO-produkter. Portalen ger dig tillgång till vårt supportteam, program och dokumentation, serviceavtal etc.

Nödsituation

Stäng omedelbart av strömmen, koppla ur strömkabeln och kontakta servicecentret om det kommer rök, lukt eller oljud från enheten.

Tillverkarens adress

Room 313, Unit B, Building 2, 399 Danfeng Road, Xixing Subdistrict, Binjiang District, Hangzhou, Zhejiang 310052, Kina
Hangzhou Microimage Software Co., Ltd.

FÖRSÄKRAN OM ÖVERENSSTÄMMELSE: Produkter i den termiska serien kan vara föremål för exportkontroller i olika länder eller regioner, inklusive utan begränsning, USA, Europeiska unionen, Storbritannien och/eller andra länder som skrivit under Wassenaar-avtalet. Rådgör med en professionell juridisk konsult, en expert på regel efterlevnad eller lokala myndigheter

avseende krav på exportlicenser om du har för avsikt att överföra, exportera eller vidareexportera produkter i den termiska serien mellan olika länder.

Русский

1. Краткое описание

Портативная термографическая камера в пластиковой оболочке обычно применяется в средах с взрывоопасными газами (кроме метана).

2. Внешний вид (страница 1)

Внешний вид устройства зависит от модели. Учитывайте особенности фактического продукта.

Кнопки и интерфейсы

№	Описание	Функция
1	Экран	Предназначен для просмотра в реальном времени.
2	Индикатор зарядки	<ul style="list-style-type: none"> Постоянно светится красным: Идет нормальный процесс зарядки. Постоянно светится зеленым: Полностью заряжен.
3	Кнопка питания	<ul style="list-style-type: none"> Однократное нажатие: отображение меню или подтверждение операции. Нажатие с удерживанием: включение/выключение питания.
4	Кнопка «Назад»	Для выхода из меню или возврата в предыдущее меню.
5	Зуммер	Выдает звуковой сигнал тревоги.
6	Кнопка навигации	Нажмите для выбора параметров.
7	Оптический объектив	Просмотр оптического изображения.
8	Тепловизионный объектив	Просмотр тепловизионного изображения.
9	Светодиодное освещение	Для улучшения освещенности в темноте.
10	Переключатель защиты объектива	Установите или снимите защиту объектива.

11	Переключатель	<ul style="list-style-type: none"> В интерфейсе просмотра в реальном времени нажатие кнопки запуска создает моментальный снимок. В режиме меню нажатие кнопки запуска позволяет вернуться в режим просмотра в реальном времени.
12	Отверстие для крепления штатива	Для крепления штатива.
13	Петля для кистевого ремня	Фиксация кистевого ремня.
14	Интерфейс Type-C	Заряжает устройство или экспортирует файлы с помощью USB-кабеля Type-A – Type-C.

3. Зарядка устройства

После запуска устройства на экранном меню отображается состояние батареи. Если уровень заряда батареи низкий, зарядите устройство и убедитесь в том, что оно правильно работает.

При первой зарядке заряжайте устройство более 8 часов, при этом устройство должно быть включено.

Порядок действий

1. Поднимите крышку типа C.
2. Вставьте USB-кабель Type-A – Type-C и зарядите устройство.

Руководство пользователя



Нормативно-правовая информация

О данном Руководстве

В Руководстве содержатся инструкции по эксплуатации Изделия. Фотографии, схемы, иллюстрации и прочие материалы приведены исключительно в качестве описаний и пояснений. Информация, приведенная в Руководстве, может быть изменена без предварительного уведомления в связи с обновлением микропрограммы или по другим причинам. Последнюю редакцию настоящего

Руководства можно найти на веб-сайте компании HIKMICRO (www.hikmicrotech.com). Используйте Руководство под наблюдением специалистов, обученных обслуживанию Изделия.

Настоящее руководство подходит для следующих моделей: HM-TP52N-3AQF-BX20, BX20, HM-TP5XY-ABCDEF, HM-TP5A-XY, HM-TP51N-3AQF, HM-TP53N-3AQF, HM-TP5XN-A, HM-TP5AB-XY, HM-TP5AB-XYZ, HM-TP5XY-AB, HM-TP5XY-A.

ЗАЯВЛЕНИЕ ОБ ОГРАНИЧЕНИИ ОТВЕТСТВЕННОСТИ

В МАКСИМАЛЬНОЙ СТЕПЕНИ, РАЗРЕШЕННОЙ ДЕЙСТВУЮЩИМ ЗАКОНОДАТЕЛЬСТВОМ, ДАННОЕ РУКОВОДСТВО И ОПИСАНИЕ ИЗДЕЛИЯ ВМЕСТЕ С АППАРАТНОЙ ЧАСТЬЮ, ПРОГРАММНЫМ ОБЕСПЕЧЕНИЕМ И ВСТРОЕННОЙ МИКРОПРОГРАММОЙ ПРЕДОСТАВЛЯЮТСЯ ПО ПРИНЦИПУ «КАК ЕСТЬ» И «СО ВСЕМИ ВОЗМОЖНЫМИ НЕПОЛАДКАМИ И ОШИБКАМИ». HIKMICRO НЕ ДАЕТ НИКАКИХ ЯВНЫХ ИЛИ ПОДРАЗУМЕВАЕМЫХ ГАРАНТИЙ, В ТОМ ЧИСЛЕ ГАРАНТИЙ ТОВАРНОЙ ПРИГОДНОСТИ, УДОВЛЕТВОРИТЕЛЬНОГО КАЧЕСТВА ИЛИ ПРИГОДНОСТИ ДЛЯ КОНКРЕТНЫХ ЦЕЛЕЙ. ПОТРЕБИТЕЛЬ ИСПОЛЬЗУЕТ ИЗДЕЛИЕ НА СВОЙ СТРАХ И РИСК. НИ ПРИ КАКИХ ОБСТОЯТЕЛЬСТВАХ КОМПАНИЯ HIKMICRO НЕ НЕСЕТ ОТВЕТСТВЕННОСТИ ПЕРЕД ПОТРЕБИТЕЛЕМ ЗА КАКОЙ-ЛИБО СЛУЧАЙНЫЙ ИЛИ КОСВЕННЫЙ УЩЕРБ, ВКЛЮЧАЯ, СРЕДИ ПРОЧЕГО, УБЫТКИ ИЗ-ЗА ПОТЕРИ ПРИБЫЛИ, ПЕРЕРЫВОВ В ДЕЯТЕЛЬНОСТИ, ПОТЕРИ ДАННЫХ ИЛИ ДОКУМЕНТАЦИИ, ПОВРЕЖДЕНИЯ СИСТЕМ, БУДЬ ТО ПО ПРИЧИНЕ НАРУШЕНИЯ ДОГОВОРА, ПРОТИВОПРАВНЫХ ДЕЙСТВИЙ (В ТОМ ЧИСЛЕ ХАЛАТНОСТИ), УЩЕРБА ВСЛЕДСТВИЕ ИСПОЛЬЗОВАНИЯ ИЗДЕЛИЯ ИЛИ ИНОГО В СВЯЗИ С ИСПОЛЬЗОВАНИЕМ ДАННОГО ИЗДЕЛИЯ, ДАЖЕ ЕСЛИ КОМПАНИЯ HIKMICRO БЫЛО ИЗВЕСТНО О ВОЗМОЖНОСТИ ТАКОГО УЩЕРБА. ПОТРЕБИТЕЛЬ ОСОЗНАЕТ, ЧТО ИНТЕРНЕТ ПО СВОЕЙ ПРИРОДЕ ЯВЛЯЕТСЯ ИСТОЧНИКОМ ПОВЫШЕННОГО РИСКА БЕЗОПАСНОСТИ И КОМПАНИЯ HIKMICRO НЕ НЕСЕТ ОТВЕТСТВЕННОСТИ ЗА СБОИ В РАБОТЕ ОБОРУДОВАНИЯ, УТЕЧКУ ИНФОРМАЦИИ И ДРУГОЙ УЩЕРБ, ВЫЗВАННЫЙ КИБЕРАТАКАМИ, ХАКЕРАМИ, ВИРУСАМИ ИЛИ СЕТЕВЫМИ УГРОЗАМИ; ОДНАКО НАША КОМПАНИЯ ОБЕСПЕЧИВАЕТ СВОЕВРЕМЕННУЮ ТЕХНИЧЕСКУЮ ПОДДЕРЖКУ, ЕСЛИ ЭТО НЕОБХОДИМО. ПОТРЕБИТЕЛЬ СОГЛАШАЕТСЯ ИСПОЛЬЗОВАТЬ ДАННОЕ ИЗДЕЛИЕ В

СООТВЕТСТВИИ СО ВСЕМИ ПРИМЕНИМЫМИ ЗАКОНАМИ И НЕСЕТ ЛИЧНУЮ ОТВЕТСТВЕННОСТЬ ЗА ИХ СОБЛЮДЕНИЕ. В ЧАСТНОСТИ, ПОТРЕБИТЕЛЬ НЕСЕТ ОТВЕТСТВЕННОСТЬ ЗА ИСПОЛЬЗОВАНИЕ ДАННОГО ИЗДЕЛИЯ БЕЗ НАРУШЕНИЯ ПРАВ ТРЕТЬИХ ЛИЦ, В ТОМ ЧИСЛЕ ПРАВ НА ПУБЛИЧНОСТЬ, ИНТЕЛЛЕКТУАЛЬНУЮ СОБСТВЕННОСТЬ И ЗАЩИТУ ДАННЫХ И ДРУГИХ ПРАВ НА СОХРАНЕНИЕ КОНФИДЕНЦИАЛЬНОСТИ. ПОТРЕБИТЕЛЬ ОБЯЗУЕТСЯ НЕ ИСПОЛЬЗОВАТЬ ЭТО ИЗДЕЛИЕ В ЗАПРЕЩЕННЫХ ЦЕЛЯХ, В ТОМ ЧИСЛЕ ДЛЯ РАЗРАБОТКИ ИЛИ ПРОИЗВОДСТВА ОРУЖИЯ МАССОВОГО УНИЧТОЖЕНИЯ, ХИМИЧЕСКОГО ИЛИ БИОЛОГИЧЕСКОГО ОРУЖИЯ, ОСУЩЕСТВЛЕНИЯ КАКОЙ-ЛИБО ДЕЯТЕЛЬНОСТИ В КОНТЕКСТЕ ЯДЕРНОГО ОРУЖИЯ, НЕБЕЗОПАСНЫХ ОПЕРАЦИЙ С ЯДЕРНЫМ ТОПЛИВОМ ИЛИ ДЛЯ ПОДДЕРЖКИ НАРУШЕНИЙ ПРАВ ЧЕЛОВЕКА. В СЛУЧАЕ РАЗНОЧТЕНИЙ МЕЖДУ НАСТОЯЩИМ РУКОВОДСТВОМ И ДЕЙСТВУЮЩИМ ЗАКОНОДАТЕЛЬСТВОМ ПРИОРИТЕТ ИМЕЕТ ПОСЛЕДНЕЕ.

Нормативная информация

Данные положения применяются только в том случае, если изделие снабжено соответствующей отметкой или информацией.

Декларация соответствия EU



Настоящее изделие и аксессуары, входящие в комплект его поставки (при их наличии), отмечены

символом «CE», который обозначает их соответствие применимым согласованным европейским стандартам, перечисленным в Директиве 2014/30/EU (EMCD) и Директиве 2011/65/EU (RoHS).

Примечание. На изделия с входным напряжением 50–1000 В переменного тока или 75–1500 В постоянного тока распространяется Директива 2014/35/EU (LVD), а на все остальные изделия — Директива 2001/95/EC (GPSD). См. характеристики конкретного источника питания.

Если устройство не укомплектовано адаптером питания, используйте адаптер питания разрешенного изготовителя. Требования по электропитанию подробно описаны в технических характеристиках изделия.

Если устройство не укомплектовано батареей, используйте батарею разрешенного изготовителя. Требования к батарее подробно описаны в технических характеристиках изделия.



Директива WEEE 2012/19/EU (Директива об утилизации отходов электрического и электронного оборудования): изделия,

отмеченные этим символом, запрещено утилизировать в Европейском союзе в качестве несортированных бытовых отходов. Для надлежащей переработки возвратите это изделие местному поставщику после покупки эквивалентного нового оборудования или утилизируйте его в предназначенных для этого пунктах сбора отходов. Для получения дополнительной информации посетите веб-сайт www.recyclethis.info



Директива 2006/66/EC и поправка к ней 2013/56/EU (Директива о батареях): это изделие содержит батарею, которую запрещено

утилизировать в Европейском союзе в качестве несортированных бытовых отходов. Для получения конкретной информации о батарее см. документацию к изделию. Маркировка батареи может включать в себя символы, которые обозначают ее химический состав: кадмий (Cd), свинец (Pb) или ртуть (Hg). Для надлежащей утилизации отправьте батарею местному поставщику или утилизируйте ее в специальных пунктах приема отходов. Для получения дополнительной информации посетите веб-сайт www.recyclethis.info.

Целевое применение камеры

Маркировка II 3 G Ex ic IIC T6 Gc
по стандарту II 3 D Ex ic IIIC T85°C Dc

ATEX:

Маркировка Ex ic IIC T6 Gc
по стандарту Ex ic IIIC T85°C Dc

IECEX:

Степень защиты корпуса: IP54

Стандарты взрывозащиты:

МЭК 60079-0:2017 МЭК 60079-11:2011

Сертификаты взрывозащиты:

TÜV 23 ATEX 8963 IECEx TUR 23.0015

Особые условия безопасной эксплуатации во взрывоопасной зоне:

1. Запрещено изменять наименования, модели, характеристики и параметры внутренних схем защиты и связанных с ними компонентов при эксплуатации и обслуживании устройства.
2. При разборке и эксплуатации устройства отключайте источник питания и не эксплуатируйте устройство с подключенным источником питания. Не выполняйте вышеуказанные операции, если устройство находится в среде с взрывоопасным газом.
3. При нормальной эксплуатации, обслуживании и чистке устройства необходимо исключать возможность воспламенения в результате электростатического разряда. Не протирайте устройство, когда оно находится в среде со взрывоопасным газом. Следует заменять или протирать устройство, когда в его среде отсутствует взрывоопасный газ.
4. Запрещается заряжать и заменять батареи устройства в опасных зонах.
5. Обеспечить защиту устройства от воздействия солнечного света и света от осветительных приборов.
6. Зарядку устройства производить только во взрывобезопасной зоне с использованием зарядного устройства, поставляемого производителем специально для зарядки устройства. Диапазон температур зарядки: от 0 °C до 45 °C.
7. Конечному пользователю запрещается самостоятельно заменять аккумулятор устройства.
8. Крышка соединителя должна герметично закрывать USB-порт type-C во взрывоопасной зоне.
9. Ударные испытания проводились с учетом низкого риска механической опасности. Необходимо обеспечить защиту устройства от сильных ударов.

Инструкция по технике безопасности

Настоящие инструкции предназначены для того, чтобы пользователь мог правильно использовать устройство, чтобы избежать опасности или потери имущества.

Законодательные акты и нормативные документы

- Эксплуатация данного изделия должна выполняться в строгом соответствии с местными правилами безопасной эксплуатации электрооборудования.

Транспортировка

- Используйте оригинальную или схожую упаковку для транспортировки устройства.
- После распаковки сохраните упаковочные материалы для дальнейшего использования. В случае неисправности вам потребуется вернуть устройство на завод в оригинальной упаковке. Транспортировка без оригинальной упаковки может привести к повреждению устройства, и компания не будет нести за это ответственности.
- Не роняйте и не ударяйте устройство. Устройство необходимо размещать вдали от источников электромагнитных помех.

Электропитание

- Входное напряжение должно соответствовать ограниченному источнику питания (3,7 В постоянного тока, 0,5 А) в соответствии со стандартом IEC61010-1. Подробная информация приведена в таблице технических данных.
- Убедитесь, что вилка правильно подключена к розетке электропитания.
- Во избежание перегрева или возгорания из-за перегрузки ЗАПРЕЩАЕТСЯ подключать несколько устройств к одному адаптеру питания.
- Используйте адаптер питания, предоставленный сертифицированным изготовителем. Требования по электропитанию подробно описаны в технических характеристиках изделия.

Батарея

- Встроенная батарея не подлежит разборке. В случае необходимости ремонта обратитесь к производителю. Батарея неправильного типа может взорваться. Для замены используйте только такие же или аналогичные батареи. Утилизируйте использованные батареи согласно инструкциям, предоставленным производителем батарей.
- Используйте батарею, поставляемую сертифицированным изготовителем. Требования к батарее подробно описаны в технических характеристиках изделия.
- При длительном хранении батареи полностью заряжайте ее каждые полгода, чтобы обеспечить ее работоспособность. В противном случае батарея может выйти из строя.
- Убедитесь, что вилка правильно подключена к розетке электропитания.

- Когда батарея часов реального времени полностью заряжена, настройки времени на выключенном устройстве могут храниться 4 месяца.
- При первом использовании зарядите литиевую батарею в течение более 8 часов.

Техническое обслуживание

- Если изделие не работает должным образом, обратитесь к дилеру или к специалистам ближайшего сервисного центра. Компания-изготовитель не несет ответственности за неисправности, возникшие в результате несанкционированного ремонта или технического обслуживания.
- При необходимости осторожно протрите устройство чистой салфеткой, смоченной небольшим количеством этилового спирта.
- Если оборудование используется способом, не указанным производителем, обеспечиваемая устройством безопасность может быть нарушена.
- Камера будет периодически осуществлять самокалибровку для оптимизации качества изображения и точности измерения. При этом изображение на короткое время приостановится, и вы услышите «щелчок» при перемещении заслонки перед датчиком. Самокалибровка осуществляется чаще при запуске или в условиях очень низких или высоких температур. Это нормальная операция, обеспечивающая оптимальную эффективность камеры.

Услуги калибровки

- Рекомендуется ежегодно предоставлять устройство для калибровки. Информацию о пунктах технического обслуживания можно получить у местного дилера. Подробную информацию об услугах калибровки см. на <https://www.hikmicrotech.com/en/support/calibration-service.html>.

Требования к рабочей среде

- Убедитесь, что рабочая среда удовлетворяет требованиям надлежащей работы устройства. Рабочая температура должна быть в пределах от -20 °C до 40 °C (от -4 °F до 104 °F), а влажность не должна превышать 95 %.
- Размещайте устройство в сухой и хорошо проветриваемой среде.
- ЗАПРЕЩАЕТСЯ устанавливать устройство в условиях воздействия сильного электромагнитного излучения или в пыльной среде.

- Не направляйте объектив устройства на солнце или другие яркие источники света.
- При использовании любого лазерного оборудования убедитесь, что в объектив устройства не попадает лазерный луч, иначе он может выгореть.

Техническая поддержка

<https://www.hikmicrotech.com/en/contact-us.html> помогает пользователям максимально эффективно использовать изделия HIKMICRO. На этом портале можно обратиться в службу технической поддержки и получить доступ к программному обеспечению, документации, договорам на сервисное обслуживание и т. д.

Кнопка подачи экстренного сигнала тревоги

При появлении дыма, необычного запаха или шума немедленно отключите питание устройства, извлеките вилку кабеля питания из розетки и обратитесь в сервисный центр.

Адрес производителя

Комната 313, помещение «В», корпус 2, 399 Danfeng Road, район Xixing, округ Binjiang, Hangzhou, Zhejiang 310052, Китай
Компания Hangzhou Microimage Software Co., Ltd.

УВЕДОМЛЕНИЕ О СООТВЕТСТВИИ: В различных странах и регионах, включая США, ЕС, Великобританию и/или другие страны, подписавшие Вассенарские соглашения, на тепловизионные устройства могут распространяться правила экспортного контроля. При необходимости транспортировки между странами, экспорта или реэкспорта тепловизионных устройств обратитесь к юристу, специалисту по соблюдению нормативно-правового соответствия или местным органам власти для получения информации о разрешении на экспорт.

Türkçe

1. Kısa Açıklama

Plastik gövdeye sahip el tipi termografi kamerası, esas olarak metan gazı dışındaki patlayıcı gazla sahip ortamlarda kullanılır.

2. Görünüm (Sayfa 1)

Cihazın görünümü farklı modellere göre değişiklik gösterebilir. Lütfen gerçek ürünü referans alın.

Düğmeler ve Arabirimler

No.	Açıklama	Fonksiyon
-----	----------	-----------

1	Ekran	Canlı görüntülemeyi görüntüler.
2	Şarj Göstergesi	<ul style="list-style-type: none"> • Sabit kırmızı: Normal şekilde şarj oluyor. • Sürekli yeşil: Tamamen dolu.
3	Güç Tuşu	<ul style="list-style-type: none"> • Basma: Menüye görüntüleyin veya işlemi onaylayın. • Basılı tutma: Gücü açar/kapatır.
4	Geri Tuşu	Menüden çıkın veya önceki menüye dönün.
5	Sesli uyarı	Sesli alarm çıkışı.
6	Gezinme Tuşu	Parametreleri seçmek için basın.
7	Optik Lens	Optik görüntüyü gösterir.
8	Termal Lens	Termal görüntüyü gösterir.
9	LED Işık	Karanlık ortamda ortam parlaklığını artırır.
10	Lens Koruyucu Anahtarı	Lens koruyucuyu takın veya çıkarın.
11	Tetik	<ul style="list-style-type: none"> • Canlı görüntü arayüzünde, anlık görüntüleri yakalamak için tetiği basın. • Menü modunda, canlı görüntülemeye geçmek için tetiğe basın.
12	Tripod Montajı	Tripod'u kurun.
13	Bilek Askısı Bağlantı Noktası	Bilek askısını takın.
14	Tip-C Arayüz	Cihazı şarj edin veya USB Type-A - Type-C kabloyla dosyaları dışa aktarın.

3. Şarj Cihazı

Cihaz başladıktan sonra OSD (ekran üzeri gösterim) pil durumunu gösterir. Pil azaldığında, cihazı şarj edin ve düzgün çalıştığından emin olun. İlk şarj için, açıldıktan sonra cihazı 8 saat saatten fazla şarj edin.

Adımlar

1. Type-C kapağını kaldırın.
2. USB Type-A - Type-C kabloyu takın ve cihazı şarj edin.

Kullanım Kılavuzu



Yasal Bilgiler

Bu Kılavuz hakkında

Kılavuz, Ürünün kullanımı ve yönetimi ile ilgili talimatları içerir. Resimler, çizelgeler, görüntüler ve buradaki diğer tüm bilgiler, yalnızca tanımlama ve açıklama amaçlıdır. Kılavuzda bulunan bilgiler, yazılım güncellemeleri veya başka nedenlerden dolayı önceden haber verilmeksizin değiştirilebilir. Lütfen bu Kılavuzun en son sürümünü için HIKMICRO web sitesine (www.hikmicrotech.com) bakın.

Lütfen bu Kılavuzu, Ürünü destekleme konusunda eğitilmiş profesyonellerin rehberliği ve yardımı ile kullanın.

Bu kılavuz, aşağıdaki modeller için geçerlidir: HM-TP52N-3AQF-BX20, BX20, HM-TP5XY-ABCDEF, HM-TP5A-XY, HM-TP51N-3AQF, HM-TP53N-3AQF, HM-TP5XN-A, HM-TP5AB-XY, HM-TP5AB-XYZ, HM-TP5XY-AB, HM-TP5XY-A.

YASAL UYARI

YÜRÜRLÜKTE OLAN YASALARCA İZİN VERİLEN AZAMI ÖLÇÜDE BU KILAVUZ VE AYRICA DONANIMI, YAZILIMI VE AYGIT YAZILIMI İLE BİRLİKTE TARİF EDİLEN ÜRÜN "TÜM HATALAR VE ARIZALARLA BİRLİKTE" VE "OLDUĞU GİBİ" SUNULMUŞTUR. HIKMICRO, SINIRLAMA, SATILABİLİRLİK, KALİTE MEMNUNİYETİ VEYA BELİRLİ BİR AMACA UYGUNLUK DAHİL, AÇIK VEYA ZİMNİ HİÇBİR GARANTİ VERMEZ. ÜRÜNÜN SİZİN TARAFINIZDAN KULLANILMASIYLA İLGİLİ TÜM RİSKLER TARAFINIZA AİTTİR. HIKMICRO HİÇBİR DURUMDA, BU ÜRÜNÜN KULLANIMI İLE BAĞLANTILI OLARAK, HIKMICRO BU TÜR HASARLARIN OLASILIĞI HAKKINDA BİLGİLENDİRİLMİŞ OLSA BİLE, İŞ KARLARININ KAYBI, İŞ KESİNTİSİ, VERİ KAYBI, SİSTEM KESİNTİSİ, BELGE KAYBI, SÖZLEŞMENİN İHLALİ (İHMAL DAHİL), ÜRÜN SORUMLULUĞU GİBİ ZARARLAR DA DAHİL OLMAK ÜZERE, ÖZEL, SONUÇSAL, TESADÜFİ VEYA DOLAYLI ZARARLAR İÇİN SİZE KARŞI SORUMLU OLMAYACAKTIR. HIKMICRO'NUN, İNTERNETİNİN DOĞAL GÜVENLİK RİSKLERİNİN GETİRDİĞİ SİBER SALDIRI, HACKER SALDIRISI, HACKER SALDIRISI, VİRÜS BULAŞMASINDAN KAYNAKLANAN ANORMAL ÇALIŞMA, GİZLİLİK SIZINTISI VEYA DİĞER ZARARLARDAN HERHANGİ BİR SORUMLULUK ALMAYACAĞINI KABUL EDİYORSUNUZ; ANCAK HIKMICRO, GEREKİRSE ZAMANINDA TEKNİK DESTEK SAĞLAYACAKTIR.

BU ÜRÜNÜ YÜRÜRLÜKTEKİ TÜM YASALARA UYGUN OLARAK KULLANMAYI KABUL EDERSİNİZ VE KULLANIMINIZIN YÜRÜRLÜKTEKİ YASAYA UYGUN OLMASI SORUMLULUĞU TAMAMEN SİZE AİTTİR. ÖZELLİKLE BU ÜRÜNÜ, HERHANGİ BİR SINIRLAMA OLMAKSIZIN TANITIM HAKLARI, FİKRİ MÜLKİYET HAKLARI VEYA VERİ KORUMA VE DİĞER GİZLİLİK HAKLARI DAHİL OLMAK ÜZERE ÜÇÜNCÜ TARAFLARIN HAKLARINI İHLAL ETMEYECEK BİR ŞEKİLDE KULLANMAKTAN SİZ SORUMLUSUNUZ. BU ÜRÜNÜ, TOPLU İMHA SİLAHLARININ GELİŞTİRİLMESİ VEYA ÜRETİMİ, KİMYASAL YA DA BİYOLOJİK SİLAHLARIN GELİŞTİRİLMESİ VEYA ÜRETİMİ, HERHANGİ BİR NÜKLEER PATLAYICI YA DA GÜVENİLİR OLMAYAN NÜKLEER YAKIT DÖNGÜSÜ VEYA İNSAN HAKLARI İHLALLERİNİN DESTEKLENMESİ DAHİL HİÇBİR YASAKLANMIŞ SON KULLANIM İÇİN KULLANMAYACAKSINIZ. BU KILAVUZ İLE İLGİLİ YASA ARASINDA HERHANGİ BİR ÇELİŞKİ OLMASI DURUMUNDA, İKİNCİSİ GEÇERLİDİR.

Mevzuat Bilgisi

Bu maddeler, yalnızca ilgili işarete veya bilgiye sahip ürünler için geçerlidir.

AB Uygunluk Beyanı



Bu ürün ve (varsa) verilen aksesuarlar da "CE" ile işaretlenmiştir ve bu nedenle 2014/30/EU (EMCD) Direktifi ve

2011/65/EU (RoHS) Direktifinde listelenen ilgili uyumlaştırılmış Avrupa standartlarına uygundur.

Not: Giriş voltajı 50 ila 1000 VAC veya 75 ila 1500 VDC arasında olan ürünler, 2014/35/EU (LVD)

Direktifine, geri kalan ürünler de 2001/95/EC (GPSD) Direktifine uygundur. Referans olması için lütfen ilgili güç kaynağı bilgilerini kontrol edin.

Berberinde güç adaptörü verilmeyen cihaz için, kalifiye bir üretici tarafından sağlanan güç adaptörünü kullanın. Ayrıntılı güç gereksinimleri için ürün teknik özelliklerine bakın.

Ürünle birlikte verilen pili olmayan cihaz için kalifiye bir üretici tarafından sağlanan pili kullanın.

Ayrıntılı pil gereksinimleri için ürün teknik özelliklerine bakın.



2012/19/EU Direktifi (WEEE Direktifi):

Bu sembole sahip ürünler, Avrupa Birliği'nde ayrıştırılmamış belediye

atığı olarak imha edilemez. Doğru bir

geri dönüşüm için eşdeğer yeni bir ekipman

aldıktan sonra bu ürünü yerel tedarikçinize iade

edin veya belirlenmiş toplama noktalarına

gönderin. Daha fazla bilgi için bkz:

www.recyclethis.info



2006/66/EC Direktifi ve deęişiklik
2013/56/EU (Batarya Direktifi): Bu
ürün, Avrupa Birlięi'nde
ayrıştırılmamış belediye atığı olarak

imha edilemeyen bir pil içermektedir. Pile özel
bilgi edinmek için ürün belgelerine bakın. Pil,
kadmium (Cd), kurşun (Pb) veya cıva (Hg)
elementlerini gösteren harflerin de yer alabileđiği
bu sembolle işaretlenmiştir. Doğru bir geri
dönüşüm için pili tedarikçinize veya belirlenmiş
toplama noktasına geri götürün. Daha fazla
bilgi için bkz: www.recyclethis.info.

Kameranın Kullanım Amacı

ATEX: II 3 G Ex ic IIC T6 Gc
II 3 D Ex ic IIIC T85°C Dc
IECEX: Ex ic IIC T6 Gc
Ex ic IIIC T85°C Dc

IP Derecesi: IP54

Ex Standartları:

IEC 60079-0:2017 IEC 60079-11:2011

Ex Sertifikası:

TÜV 23 ATEX 8963 IECEX TUR 23.0015

Tehlikeli Alanda Güvenli Kullanım İçin Özel Koşullar:

1. Cihazı kullanırken ve bakımını yaparken kendinden güvenli devrelerin veya ilgili bileşenlerin adlarını, modellerini, teknik özelliklerini ve parametrelerini deęiştirmek yasaktır.
2. Cihazı sökerken veya çalıştırırken lütfen güç kaynağının bağlantısını kestiğinizden emin olun ve cihazı açıkken çalıştırmayın. Cihaz patlayıcı gaz ortamındaysa yukarıda belirtilen işlemleri gerçekleştirmeyin.
3. Cihazın normal kullanımı, bakımı ve temizlięi sırasında elektrostatik boşalmadan dolayı oluşan kıvılcımlar önlenmelidir. Cihazı patlayıcı gaz ortamında silmeyin. Cihazın deęiştirilmesi veya silinmesi gerekiyorsa bu işlemler patlayıcı gaz içermeyen ortamda gerçekleştirilmelidir.
4. Tehlikeli alanlarda cihazın pillerinin şarj edilmesi veya deęiştirilmesi yasaktır.
5. Cihaz, güneş ışığına veya aydınlatmalardan gelen ışığa karşı korunmalıdır.
6. Cihaz, yalnızca üretici tarafından üniteyle kullanılmak üzere özel olarak sağlanan bir şarj cihazı kullanılarak tehlikeli olmayan bir alanda şarj edilmelidir. Şarj için sıcaklık aralığı 0°C ila 45°C'dir.
7. Cihazın pili son kullanıcılar tarafından deęiştirilmemelidir.
8. Arayüz kapağı, tehlikeli konumda bulunan type-C USB portunu engellemelidir.

9. Darbe dayanıklılığı, düşük mekanik tehlike riskine göre test edilmiştir. Cihaz, güçlü darbelere karşı korunmalıdır.

Güvenlik Talimatı

Bu talimatlar ile tehlikeleri veya mal kayıplarını önlemek için kullanıcının ürünü doğru şekilde kullanabilmesinin sağlanması amaçlanmıştır.

Yasalar ve Yönetmelikler

- Ürünün yerel elektrik güvenlięi düzenlemelerine kesinlikle uygun şekilde kullanılması gerekmektedir.

Ulaşım

- Cihazı taşıırken orijinal ambalajının veya benzer bir ambalajın içerisine koyun.
- Ambalajından çıkardıktan sonra tüm ambalajları ileride kullanmak üzere saklayın. Herhangi bir arıza meydana gelmesi halinde cihazı orijinal sargısıyla birlikte fabrikaya iade etmeniz gerekir. Orijinal ambalajı olmadan taşımak cihaza zarar verebilir bu durumda şirket hiçbir sorumluluk kabul etmeyecektir.
- Ürünü düşürmeyin veya fiziksel darbeye maruz bırakmayın. Cihazı manyetik parazitten uzak tutun.

Güç Kaynağı

- Giriş voltajı, IEC61010-1 standardına göre Sınırlı Güç Kaynağını (3,7 VDC, 0,5 A) karşılamalıdır. Ayrıntılı bilgi için lütfen teknik özelliklere bakın.
- Fişin elektrik prizine düzgün şekilde takıldığından emin olun.
- Aşırı yükten kaynaklı aşırı ısınmayı veya yangın tehlikelerini önlemek için bir güç kaynağına birden fazla cihaz TAKMAYIN.
- Yetkili üretici tarafından sağlanan güç adaptörünü kullanın. Ayrıntılı güç gereksinimleri için ürün teknik özelliklerine bakın.

Pil

- Dahili pil sökülemez. Gerekiyorsa onarım için lütfen üreticiyle iletişime geçin. Yanlış tipte bir pil takılırsa pil patlayabilir. Yalnızca aynı veya eşdeğer tipte batarya ile deęiştirin. Kullanılmış pilleri, pil üreticisi tarafından sağlanan talimatlara uygun olarak imha edin.
- Yetkili üretici tarafından sağlanan pili kullanın. Ayrıntılı pil gereksinimleri için ürün teknik özelliklerine bakın.
- Pil uzun süre kullanılmadan saklanacaksa pilin kalitesinin devam ettirilmesi için her altı ayda bir tam olarak şarj edilmesini sağlayın. Aksi takdirde hasar meydana gelebilir.
- Fişin elektrik prizine düzgün şekilde takıldığından emin olun.
- Cihaz kapalıyken ve RTC pili dolu olduğunda zaman ayarları 4 ay boyunca saklanabilir.

- İlk kullanımdan önce lityum pili 8 saatten fazla şarj edin.

Bakım

- Ürün düzgün şekilde çalışmıyorsa lütfen bayiinizle veya en yakın servis merkeziyle iletişime geçin. Yetkisiz onarım veya bakımdan kaynaklanan sorunlar için herhangi bir sorumluluk kabul etmeyiz.
- Cihazı temiz bir bez ve gerekirse az miktarda etanol ile hafifçe silin.
- Ekipman, üretici tarafından belirtilmeyen bir şekilde kullanılırsa cihaz tarafından sağlanan koruma bozulabilir.
- Kameranız, görüntü kalitesini ve ölçüm doğruluğunu en uygun hale getirmek için belirli aralıklarla kendi kendine kalibrasyon işlemi gerçekleştirir. Bu işlem esnasında görüntü kısa süreli duraklatılır ve deklanşör dedektörün önünde hareket ederken bir "klik" sesi duyarsınız. Kendi kendine kalibrasyon, başlatma sırasında veya çok soğuk ya da sıcak ortamlarda daha sık gerçekleşir. Bu, kameranız için en iyi performansı sağlamak üzere işlemin normal bir kısmıdır.

Kalibrasyon Hizmeti

- Cihazı yılda bir kez kalibrasyon için geri göndermenizi öneririz. Bakım noktaları hakkında bilgi için lütfen yerel bayi ile iletişime geçin. Daha ayrıntılı kalibrasyon hizmetleri için lütfen <https://www.hikmicrotech.com/en/support/calibration-service.html> adresini ziyaret edin.

Kullanma Ortamı

- Çalışma ortamının cihazın gereksinimlerini karşıladığından emin olun. Çalışma sıcaklığı -20°C ila 40°C (-4°F ila 104°F) ve nem %95 veya daha az olmalıdır.
- Cihazı, kuru ve iyi havalandırılan bir ortama yerleştirin.
- Cihazı yüksek elektromanyetik radyasyona sahip veya tozlu ortamlarda BULUNDURMAYIN.
- Lensi, güneşe veya herhangi bir parlak ışığa doğru tutmayın.
- Herhangi bir lazer ekipmanı kullanılırken cihaz merceğinin, lazer ışınına maruz kalmadığından emin olun aksi takdirde yanabilir.

Teknik Destek

<https://www.hikmicrotech.com/en/contact-us.html> HIKMICRO müşterisi olarak HIKMICRO ürünlerinizden en iyi şekilde yararlanmanıza yardımcı olacaktır. Portal, destek ekibimize, yazılım ve belgelere, hizmet bağlantılarına vb. erişmenizi sağlar.

Acil Durum

Cihazdan duman, koku veya ses geliyorsa hemen gücü kapatarak güç kablosunun bağlantısını kesin ve servis merkeziyle iletişime geçin.

Üretim Adresi

Oda 313, Birim B, Bina 2, 399 Danfeng Caddesi, Xixing Nahiyesi, Binjiang Bölgesi, Hangzhou, Zhejiang 310052, Çin
Hangzhou Microimage Software Co., Ltd.

UYGUNLUK BİLDİRİMİ: Termal serisi ürünler, sınırlama olmaksızın Amerika Birleşik Devletleri, Avrupa Birliği, Birleşik Krallık ve / veya Wassenaar Düzenlemesinin diğer üye ülkeleri dahil olmak üzere çeşitli ülke veya bölgelerde ihracat kontrollerine tabi olabilir. Termal serisi ürünleri farklı ülkeler arasında transfer etmeyi, ihraç etmeyi veya yeniden ihraç etmeyi düşünüyorsanız, lütfen gerekli ihracat lisansı gereklilikleri için profesyonel hukuk veya uyum uzmanınıza veya yerel hükümet yetkililerine danışın.

日本語

1.簡単な説明

ハンドヘルドサーモグラフィカメラにはプラスチックが使用されており、主にメタンガス以外の爆発性ガス環境で使用されます。

2.製品外観 (1ページ)

デバイスの外観はモデルごとに異なる場合があります。実際の製品を手にとって参照してください。

ボタンとインターフェイス

番号	説明	機能
1	画面	ライブビューを表示します。
2	充電インジケーター	<ul style="list-style-type: none"> • 赤色で点灯：正常に充電しています。 • 緑色に点灯：充電完了。
3	電源キー	<ul style="list-style-type: none"> • 短押し：メニューを表示するか、操作を確認します。 • 長押し：電源オン/オフ。
4	バックキー	メニューを終了するか、前のメニューに戻ります。
5	ブザー	警報音を出力します。
6	ナビゲーションキー	ボタンを押して、パラメータを選択します。
7	光学レンズ	光学画像を表示します。

8	サーマルレンズ	サーマル画像を表示します。
9	LED光	暗い環境を照らして明るくします。
10	レンズプロテクタースイッチ	レンズプロテクターを着脱します。
11	起動	<ul style="list-style-type: none"> ライブビューインターフェイス上でトリガーを押すと、スナップショットがキャプチャーされます。 メニューモードでは、トリガーを押すとライブビューに戻ります。
12	三脚マウント	三脚を取り付けます。
13	リストストラップ装着部	リストストラップを装着します。
14	Type-Cインターフェイス	USB Type-A～Type-Cケーブルで、デバイスを充電したり、ファイルをエクスポートすることができます。

3. デバイスの充電

デバイスの起動後、OSD（オンスクリーンディスプレイ）にバッテリーの状態が表示されます。バッテリー残量が少なくなったら、デバイスが正しく動作するように、デバイスを充電してください。デバイスの初回充電を行う際には、デバイスの電源をオンにした後にデバイスを8時間以上充電してください。

ステップ

1. Type-Cカバーを開きます。
2. USB Type-A～Type-Cケーブルを差し込み、デバイスを充電します。

ユーザーマニュアル



法的情報

本マニュアルについて
本マニュアルには製品の使用および管理についての指示が含まれています。ここに記載されている写真、表、画像およびその他すべての情報は説明のみを目的としています。本マニュアルに含まれる情報は、ファームウェア更新やその他の理由で通知なく変更されることがあります。HIKMICRO

のサイト（www.hikmicrotech.com）で、本書の最新版をご覧ください。

本マニュアルは、本製品をサポートする訓練を受けた専門家の指導・支援を受けた上でご使用ください。

このマニュアルは以下のモデルに対応しています：HM-TP52N-3AQF-BX20、BX20、HM-TP5XY-ABCDEF、HM-TP5A-XY、HM-TP51N-3AQF、HM-TP53N-3AQF、HM-TP5XN-A、HM-TP5AB-XY、HM-TP5AB-XYZ、HM-TP5XY-AB、HM-TP5XY-A。

法的免責事項

適用法で認められる最大限の範囲で、本マニュアルおよび説明されている製品（ハードウェア、ソフトウェア、ファームウェアを含む）は、[現状のまま]および[すべての欠陥とエラーがある]状態で提供されます。HIKMICROでは、明示あるいは黙示を問わず、商品性、十分な品質、または特定目的に対する適合性などを一切保証しません。本製品は、お客様の自己責任においてご利用ください。HIKMICROは、本製品の利用に関連する事業利益の損失や事業妨害、データの損失、システムの障害、文書の損失に関する損害を含む特別、必然、偶発または間接的な損害に対して、それが契約に対する違反、不法行為(過失を含む)、製品の責任または製品の使用に関連するものであっても、たとえHIKMICROがそうした損害および損失について通知を受けていたとしても、一切の責任を負いません。

お客様は、インターネットにはその性質上固有のセキュリティリスクがあることを了解し、異常動作、プライバシーの流出、またはサイバー攻撃、ハッカー攻撃、ウィルス感染等のインターネットセキュリティリスクによる損害について、HIKMICROは一切責任を負いません。ただし、必要に応じてHIKMICROは適時技術的サポートを提供します。

お客様には、すべての適用法に従って本製品を利用し、さらにご自分の利用法が適用法を順守していることを確認する責任があります。特に、肖像権、知的財産権、またはデータ保護等のプライバシー権を非限定的に含むサードパーティの権利を侵害しない手段で本製品を利用する責任があります。大量破壊兵器の開発や生産、化学兵器・生物兵器の開発や生産、核爆発物や危険な核燃料サイクル、または人権侵害に資する活動を含む、禁じられている最終用途の目的で本製品を使用してはなりません。

本マニュアルと適用法における矛盾がある場合については、後者が優先されます。

規制情報

これらの条項は、対応するマークまたは情報が付された製品にのみ適用されます。

EU 適合宣言



本製品および同梱の周辺機器(適用可能な場合)には「CE」マークが付いており、指令2014/30/EU (EMCD) および指令2011/65/EU (RoHS) の下に記載されている該当欧州統一規格に準拠しています。

注意：入力電圧が50～1000VACまたは75～1500VDC以内の製品は指令2014/35/EU (LVD) に準拠し、それ以外の製品は指令2001/95/EC (GPSD) に準拠しています。参照として、具体的な電源情報を確認してください。

付属の電源アダプターがない場合は、デバイスに認定メーカーが供給する電源アダプターをご使用ください。電源の詳細な要件については、製品仕様を参照してください。

付属のバッテリーがない場合は、デバイスに認定メーカーが供給するバッテリーをご使用ください。バッテリーの詳細な要件については、製品仕様を参照してください。



指令2012/19/EU (WEEE 指令): この記号が付いている製品は、欧州連合 (EU) の地方自治体の未分別廃棄物として処分できません。

適切にリサイクルするために、本製品は同等の新しい装置を購入する際に、お近くの販売業者に返却いただくか、指定された収集場所で処分してください。詳細については以下を参照してください：
www.recyclethis.info



指令2006/66/ECおよびその修正案2013/56/EU (バッテリー指令): 本製品には、欧州連合 (EU) の地方自治体の未分別廃棄物として処分できない

バッテリーが含まれています。特殊バッテリー情報に関する製品資料をご覧ください。バッテリーにはこの記号が付いており、カドミウム (Cd)、鉛 (Pb)、水銀 (Hg) を示す文字も記載されています。適切にリサイクルするために、販売業者か、指定された収集場所にご返却ください。詳細については以下を参照してください：
www.recyclethis.info

カメラの使用目的

ATEX : II 3 G Ex ic IIC T6 Gc
II 3 D Ex ic IIIC T85°C Dc

IECEX : Ex ic IIC T6 Gc
Ex ic IIIC T85°C Dc

IP等級：IP54

以前の基準：

IEC 60079-0:2017 IEC 60079-11:2011

以前の証明書：

TÜV 23 ATEX 8963 IECEx TUR 23.0015

危険なエリアで安全にお使いいただくための特別条件：

- 1.本機を使用したり保守を行う際に、内部の安全回路や関連部品の名称、型式、仕様、パラメータを変更することは禁止されています。
- 2.本機を分解または操作する際には必ず電源を切ってください。電源が入った状態では操作しないでください。爆発性ガス環境では、上記の操作を行わないでください。
- 3.通常の使用中やメンテナンスや清掃の際に静電気の放電によって発火するので、放電を避ける必要があります。爆発性ガス環境では、本機の外側を拭かないでください。本機を交換したり拭く必要がある場合は、爆発性ガスのない環境で行ってください。
- 4.危険な場所でバッテリーを充電したり交換しないでください。
- 5.日光や照明器具の光にさらされないよう保護する必要があります。
- 6.危険のない場所で、本器専用の充電器のみを使用して充電してください。充電温度範囲は0°C～45°Cです。
- 7.エンドユーザーがバッテリーを交換することは禁止されています。
- 8.危険な場所では、インターフェイスカバーでType-C USBポートを覆う必要があります。
- 9.衝撃耐性は、機械的な危険性の低い条件で試験されています。強い衝撃から保護する必要があります。

安全上の指示

これらの指示は、ユーザーが製品を正しく使用し、危険や財産損失を回避できるように保証することを目的としています。

法規と規則

- 製品の使用にあたって、お住まいの地域の電気安全性に関する法令を厳密に遵守する必要があります。

輸送

- 輸送中は、デバイスを元のパッケージまたは類似したパッケージに梱包してください。
- 開梱後は、後日使用できるように、梱包材を保存しておいてください。不具合が発生した場合、元の梱包材を使用して工場に機器を返送する必要があります。元の梱包材を使用せずに返送した場合、破損が発生する恐れがありますが、その際に、当社は一切責任を負いません。
- 製品を落下させたり、物理的な衝撃を与えないでください。本器を電磁妨害から遠ざけてください。

電源

- 入力電圧は、IEC61010-1規格の制限電源 (DC3.7V、0.5A) を満たす必要があります。詳細情報に関しては技術仕様を参照してください。

- プラグが適切に電源ソケットに接続されていることを確認してください。
- 1台の電源アダプターに2台以上の機器を接続してはなりません。過負荷によって過熱したり、火災発生の危険があります。
- 正規メーカーより供給された電源アダプターを使用してください。電源の詳細な要件については、製品仕様を参照してください。

バッテリー

- 内蔵バッテリーは取り外しできません。修理については必要に応じてメーカーにお問い合わせください。バッテリーを間違えたタイプと交換すると、バッテリーが爆発する可能性があります。同一または同等のタイプのものだけ交換してください。バッテリーのメーカーによって提供された指示に準拠して、使用済みバッテリーを処分してください。
- 認定メーカーのバッテリーをご使用ください。バッテリーの詳細な要件については、製品仕様を参照してください。
- バッテリーを長期保存する場合は、半年に一度はフル充電して、バッテリーの品質を保つようにしてください。これを怠った場合、破損の原因となります。
- プラグが適切に電源ソケットに接続されていることを確認してください。
- デバイスの電源がオフで、RTCバッテリーが満充電されている状態では、時間設定は4ヶ月間保持できます。
- 初回使用前に、リチウムバッテリーを8時間以上充電してください。

メンテナンス

- 製品が正しく動作しない場合、販売店または最寄りのサービスセンターに連絡してください。承認されていない修理や保守行為による問題について、当社はいかなる責任も負いません。
- 必要ならば、エタノールを少量含ませたいきれいな布でデバイスを静かに拭きます。
- メーカーが指定していない方法で使用した場合、デバイスが提供する保護機能が損なわれる恐れがあります。
- 本カメラは、画質と測定精度を最適化するために、定期的に自己キャリブレーションを実行します。このプロセスで、画像が短時間静止し、検知器の前でシャッターが動く際に「カチッ」という音が聞こえます。起動中や、非常に低温または高温の環境では、自己キャリブレーションがより頻繁に実行されます。これは、カメラの最適な性能を確保するための正常な動作です。

キャリブレーションサービス

- 年に一度、キャリブレーションのためにデバイスを返送することをお勧めします。メンテナンス拠点については、最寄りの販売店にお問い合わせください。キャリブレーションサービスに関する詳細は、

<https://www.hikmicrotech.com/jp/support/calibration-service.html>をご覧ください。

使用環境

- 実行環境がデバイスの要件を満たしていることを確認します。動作温度は-20°C~40°C (-4°F~104°F)で、湿度は95%以下です。
- デバイスは、乾燥して換気の良い環境に配置してください。
- デバイスを強い電磁波や埃の多い環境にさらさないでください。
- レンズを太陽や極端に明るい場所に向けしないでください。
- レーザー装置を使用している場合は、デバイスのレンズがレーザービームにさらされていないことを確認してください。焼損するおそれがあります。

テクニカルサポート

<https://www.hikmicrotech.com/en/contact-us.html>はHIKMICROのお客様がHIKMICRO製品を最大限に活用できるように支援します。ポータルから、サポートチーム、ソフトウェアとドキュメント、サービスの連絡先などにアクセスできます。

緊急

デバイスから煙や異臭、異音が発生した場合、すぐに電源を切り、電源ケーブルを抜いて、サービスセンターにご連絡ください。

メーカー住所

310052 中国浙江省杭州市滨江区西興地区段鳳通り399号2棟ユニットB 313号室
Hangzhou Microimage Software Co., Ltd.

法令順守通知：本サーマルシリーズ製品は、アメリカ合衆国、欧州連合、英国などワッセナー・アレンジメントの会員国を含むがそれだけに限定されない各国・各地域で、輸出管理の対象となる可能性があります。サーマルシリーズ製品を外国へ転送・輸出・再輸出する場合は、貴社の法務・コンプライアンス部門もしくは自国の政府機関に、輸出ライセンスの条件についてご確認ください。

한국어

1. 간단한 설명

플라스틱 쉘을 갖춘 휴대용 열화상 카메라 카메라는 메탄가스 이외의 폭발 가스 환경에서 주로 사용됩니다.

2. 외관(페이지 1)

장비 외관은 모델에 따라 달라질 수 있습니다. 실제 제품을 참조하시기 바랍니다.

버튼 및 인터페이스

번호	설명	기능
1	화면	실시간 보기를 봅니다.
2	충전 표시등	<ul style="list-style-type: none"> ● 빨간색 켜짐: 정상적으로 충전 중. ● 녹색 켜짐: 충전 완료.
3	전원 키	<ul style="list-style-type: none"> ● 누르기: 메뉴 표시 또는 작동 확인. ● 길게 누르기: 전원을 켜고/ 끕니다.
4	뒤로 가기 키	메뉴를 종료하거나 이전 메뉴로 돌아갑니다.
5	신호음	가청 알람을 생성합니다.
6	내비게이션 키	눌러서 파라미터를 선택합니다.
7	광학 렌즈	광학 이미지를 봅니다.
8	열화상 렌즈	열화상 이미지를 봅니다.
9	LED 조명	어두운 환경에서 주변 밝기를 향상합니다.
10	렌즈 보호 스위치	렌즈 보호기를 장착하거나 분리합니다.
11	트리거	<ul style="list-style-type: none"> ● 실시간 보기 인터페이스에서 트리거를 눌러 스냅샷을 캡처합니다. ● 메뉴 모드에서 트리거를 눌러 실시간 보기로 돌아갑니다.
12	삼각대 장착	삼각대를 장착합니다.
13	손목 스트랩 부착 포인트	손목 스트랩을 장착합니다.
14	Type-C 인터페이스	USB Type-A to Type-C 케이블을 사용해 장비를 충전하거나 파일을 내보냅니다.



법률 정보

매뉴얼 소개

본 매뉴얼에는 제품의 사용 및 관리에 필요한 지침이 포함되어 있습니다. 매뉴얼의 그림, 차트, 이미지 및 기타 모든 정보는 설명용으로만 제공되는 것입니다. 매뉴얼에 포함된 정보는 펌웨어 업데이트 또는 다른 사유로 예고 없이 변경될 수 있습니다. 이 설명서의 최신 버전을 보려면 HIKMICRO 웹사이트(www.hikmicrotech.com)를 참조하십시오.

본 매뉴얼은 제품 지원 교육을 받은 전문가의 안내 및 지원 하에 사용하십시오.

본 매뉴얼은 다음 모델에 적용됩니다. HM-TP52N-3AQF-BX20, BX20, HM-TP5XY-ABCDEF, HM-TP5A-XY, HM-TP51N-3AQF, HM-TP53N-3AQF, HM-TP5XN-A, HM-TP5AB-XY, HM-TP5AB-XYZ, HM-TP5XY-AB, HM-TP5XY-A.

법적 고지 사항

관련 법률에서 허용하는 최대 범위에서 본 매뉴얼 및 설명된 제품은 하드웨어, 소프트웨어와 펌웨어의 모든 결함 및 오류가 “있는 그대로” 제공됩니다. HIKMICRO는 상품성, 품질 만족도, 특정 목적에의 적합성 및 타사의 비침해를 포함하되 이에 국한되지 않고 명시적 또는 묵시적으로 보증하지 않습니다. 제품 사용 시 책임은 전적으로 사용자에게 있습니다. 어떠한 경우에도 HIKMICRO는 제품의 사용과 관련해 발생하는 특별한, 결과적, 부수적 또는 간접적 손해 및 특히 사업상의 이익 손실, 운영 중단으로 인한 손해 또는 데이터의 손실, 시스템 장애 또는 문서의 손실에 대해 계약 위반, 불법 행위(과실 책임 포함), 제조물 책임 또는 그 외 제품 사용 관련성과 관계없이 일절 책임지지 않으며 HIKMICRO이 해당 손상 또는 손실이 발생할 가능성을 권고한 경우에도 그렇습니다.

귀하는 인터넷의 특성상 본질적으로 보안 위험이 잠재해 있음을 인정하며, HIKMICRO는 사이버 공격, 해커 공격, 바이러스 감염 또는 기타 인터넷 보안 위험으로 인해 발생한 비정상 작동, 개인정보 유출 또는 기타 손해에 대해 일절 책임지지 않습니다. 그러나 HIKMICRO는 필요한 경우 시기적절하게 기술 지원을 제공합니다.

귀하는 해당되는 모든 법률을 준수해 본 제품을 사용하는 데 동의하며, 해당되는 법률을 준수해 사용하는 것은 전적으로 귀하의 책임입니다. 특히, 귀하는 퍼블리시티권, 지적 재산권, 데이터 보호 및 기타 개인 정보 보호권을 포함하되 이에 국한되지 않고 제3자의 권리를 침해하지 않는 방식으로 본 제품을 사용하는 것에 대해 책임을 집니다. 귀하는 대량 살상 무기 개발 또는 생산, 화학 또는 생물

3. 장비 충전

장비가 시작되면 OSD(온 스크린 디스플레이)가 배터리 상태를 표시합니다. 배터리가 부족하면 장비를 충전하고 올바르게 작동하는지 확인하십시오.

처음 충전하는 경우, 장비를 켜 상태에서 8시간 이상 충전합니다.

단계

1. Type-C 커버를 들어올립니다.
2. USB Type-A to Type-C 케이블을 꽂고 장비를 충전합니다.

사용자 매뉴얼

무기 개발 또는 생산, 핵폭발 또는 안전하지 않은 핵연료 주기와 관련된 또는 인권 침해를 조장할 수 있는 개발 또는 생산을 포함해 금지된 최종 용도를 위해 본 제품을 사용하지 않습니다.
본 매뉴얼과 적용되는 법률 사이에 충돌이 발생하는 경우 법률이 우선합니다.

규제 정보

이 조항은 해당 마크 또는 정보가 있는 제품에만 적용됩니다.

EU 규정 준수 이행서



본 제품은 물론 제공되는 액세서리(해당되는 경우)에도 "CE"가 표시되어 있으므로 Directive

2014/30/EU(EMCD), Directive 2011/65/EU(RoHS)에 명시된 적용되는 유럽 공통 표준을 준수합니다.

노트: 입력 전압이 50~1000 VAC 또는 75~1500 VDC 이내인 제품은 Directive 2014/35/EU(LVD)를, 나머지 제품은 Directive 2001/95/EC(GPSD)를 준수합니다. 참조를 위해 특정 전원 공급 장치 정보를 확인하십시오.

전원 어댑터가 공급되지 않은 기기의 경우, 공인 제조업체에서 제공하는 전원 어댑터를 사용하십시오. 자세한 전원 요구 사항은 제품 사양을 참조하십시오.

배터리가 공급되지 않은 기기의 경우, 공인 제조업체에서 제공하는 배터리를 사용하십시오. 자세한 배터리 요건은 제품 사양을 참조하십시오.



Directive 2012/19/EU (WEEE 지침): 이 기호가 표시된 제품은 유럽 연합 내에서 분류되지 않은 일반폐기물로 폐기할 수 없습니다. 적절히 재활용하기 위해 동급 장비를 새로 구매할 때 현지 공급업체에 제품을 반납하거나 지정된 수거 장소에 폐기하십시오. 자세한 내용은 www.recyclethis.info를 참조하십시오.



Directive 2006/66/EC 및 개정 2013/56/EU(배터리 지침): 본 제품에는 유럽 연합 내에서 분류되지 않은 일반폐기물로 폐기할 수 없는 배터리가 포함되어 있습니다. 특정 배터리에 관한 자세한 내용은 제품 관련 문서를 참조하십시오. 이 기호가 표시된 배터리에는 카드뮴(Cd), 납(Pb)또는 수은(Hg)을 나타내는 글자가 포함될 수 있습니다. 적절히 재활용하기 위해 공급업체에 배터리를 반납하거나 지정된 수거 장소에 폐기하십시오. 자세한 내용은 www.recyclethis.info를 참조하십시오.

카메라 용도

ATEX: II 3 G Ex ic IIC T6 Gc
II 3 D Ex ic IIIC T85°C Dc

IECEX: Ex ic IIC T6 Gc
Ex ic IIIC T85°C Dc

IP 수준: IP54

Ex 표준:

IEC 60079-0:2017 IEC 60079-11:2011

Ex 인증:

TÜV 23 ATEX 8963 IECEX TUR 23.0015

위험 지역에서의 안전한 사용을 위한 특별 조건:

1. 장비를 사용하고 유지보수할 때는 고유한 안전 회로나 관련 부품의 이름, 모델, 사양, 파라미터를 변경하지 못하도록 금지되어 있습니다.
2. 장비를 분해하거나 조작할 때는 전원 공급 장치와 연결이 해제되어 있는지 확인하고 전원이 켜져 있을 때는 장비를 조작하지 마십시오. 장비가 폭발 가스 환경에 있을 때는 위에서 언급한 작업을 수행하지 마십시오.
3. 장비를 정상적으로 사용, 유지보수, 청소하는 과정에서 정전기 방전으로 일어나는 점화를 피해야 합니다. 폭발 가스 환경에서는 기기를 닦지 마십시오. 장비를 교체하거나 닦아야 할 경우 폭발 가스가 없는 환경에서 수행하십시오.
4. 위험 지역에서 장비의 배터리를 충전하거나 교체하는 것은 금지되어 있습니다.
5. 장비가 햇빛 또는 조명의 빛에 노출되지 않도록 보호해야 합니다.
6. 위험 지역이 아닌 장소에서 장비에 사용하도록 제조사가 특별히 제공하는 충전기를 사용하여 장비를 충전해야 합니다. 충전 온도 범위는 0°C ~ 45°C입니다.
7. 장비의 배터리를 최종 사용자가 교체하는 것이 금지되어 있습니다.
8. 위험 지역에서는 인터페이스 덮개로 Type-C USB 포트를 차단해야 합니다.
9. 충격 저항 시험은 기계적 위험이 낮은 조건에서 수행되었습니다. 강한 충격으로부터 장비를 보호해야 합니다.

KC

B급 기기: 이 기기는 가정용(B급) 전자파적합기기로서 주로 가정에서 사용하는 것을 목적으로 하며, 모든 지역에서 사용할 수 있습니다.

안전 지침

이 지침은 사용자가 제품을 올바르게 사용해 위험 또는 재산상의 손실을 방지하도록 하기 위해 제공되는 것입니다.

법률 및 규정

- 제품을 사용하려면 현지 전기 안전 규정을 엄격히 준수해야 합니다.

운반

- 장비를 운반할 때는 본래 포장재 또는 유사한 포장재에 장비를 놓으십시오.
- 포장을 푼 다음에는 나중에 사용할 수 있도록 모든 포장재를 보관하십시오. 고장이 발생할 경우에는 장비를 본래 포장 상태로 포장해 공장으로 반품해야 합니다. 본래 포장 상태로

운송하지 않으면 장비가 손상될 수 있으며, 회사는 일절 책임지지 않습니다.

- 제품을 떨어뜨리거나 물리적 충격을 가하지 마십시오. 장비가 전자파의 간섭을 받지 않도록 하십시오.

전원 공급 장치

- IEC61010-1 표준에 따라 입력 전압은 LPS(3.7 VDC, 0.5 A)를 충족해야 합니다. 자세한 내용은 기술 사양을 참조하십시오.
- 플러그가 전원 소켓에 올바르게 연결되어 있는지 확인하십시오.
- 과부하로 인한 과열 또는 화재 위험을 방지하기 위해 하나의 전원 어댑터에 여러 장비를 연결하지 마십시오.
- 공인 제조사에서 제공한 전원 어댑터를 사용하십시오. 자세한 전원 요구 사항은 제품 사양을 참조하십시오.

배터리

- 내장된 배터리는 분해할 수 없습니다. 수리가 필요한 경우 제조사에 연락하십시오. 배터리를 잘못된 유형으로 교체하면 폭발할 수 있습니다. 동일하거나 동급 유형의 배터리로만 교체합니다. 사용한 배터리는 배터리 제조사가 제공하는 지침에 따라 폐기합니다.
- 공인 제조사에서 제공한 배터리를 사용하십시오. 자세한 배터리 요건은 제품 사양을 참조하십시오.
- 배터리를 장기간 보관하는 경우 배터리의 품질을 보장하기 위해 6개월마다 완충하십시오. 그렇지 않을 경우 손상될 수 있습니다.
- 플러그가 전원 소켓에 올바르게 연결되어 있는지 확인하십시오.
- 장비의 전원이 꺼지고 RTC 배터리가 완전히 충전되면 시간 설정을 4개월 동안 유지할 수 있습니다.
- 처음 사용하기 전에 리튬 배터리를 8시간 이상 충전하십시오.

유지 관리

- 제품이 제대로 작동하지 않을 경우 판매점 또는 가까운 서비스 센터에 문의하십시오. 당사는 무단 수리 또는 유지 관리로 인해 발생한 문제에 대해 일절 책임지지 않습니다.
- 필요한 경우 깨끗한 헝겊에 에탄올을 소량 묻혀 장비를 살살 닦아주십시오.
- 제조사가 지정하지 않은 방식으로 장비를 사용하는 경우 장비에 의해 제공되는 보호 성능이 손상될 수 있습니다.
- 이 카메라는 주기적으로 자체 보정을 수행하여 이미지 품질 및 측정 정확도를 최적화합니다. 이 과정에서 이미지가 잠깐 멈추고 셔터가 감지기 앞에서 움직일 때 "찰칵"하는 소리가 들립니다. 자체 보정은 시동 중 또는 매우 춥거나 더운 환경에서 더 자주 발생합니다. 이는 카메라의 최적의 성능을 보장하기 위한 정상적인 작동 중 일부입니다.

보정 서비스

- 보정을 위해 1년에 한 번 장비를 정비소에 보내는 것이 좋으며, 정비소에 대한 정보는 지역 대리점에 문의하십시오. 자세한 보정 서비스를 보려면 <https://www.hikmicrotech.com/en/support/calibration-service.html>을 방문하십시오.

사용 환경

- 작동 환경이 장비의 작동 요구 사항을 충족하도록 하십시오. 작동 온도는 -20°C ~ 40°C(-4°F ~ 104°F), 습도는 95% 이하여야 합니다.
- 장비를 건조하고 통풍이 잘되는 환경에 두십시오.
- 장비를 전자파 방사가 높거나 먼지가 많은 환경에 노출하지 마십시오.
- 렌즈를 태양 또는 기타 밝은 빛에 조준하지 마십시오.
- 레이저 장비를 사용할 때는 장비 렌즈를 레이저 빔에 노출하지 마십시오. 그렇지 않으면 화재가 발생할 수 있습니다.

기술 지원

HIKMICRO 고객은 <https://www.hikmicrotech.com/en/contact-us.html>에서 HIKMICRO 제품 활용에 필요한 도움을 받을 수 있습니다. 이 포털을 통해 지원 팀, 소프트웨어 및 설명서, 서비스 담당자 등에 액세스할 수 있습니다.

비상 버튼

장비에서 연기, 냄새 또는 소음이 발생하면 즉시 전원을 끄고 전원 케이블을 뽑은 다음 서비스 센터에 연락하십시오.

제조사 주소

중국저장성310052항저우빈장구시싱하위지구단평가 399 빌딩 2, B동, 룸 313
Hangzhou Microimage Software Co., Ltd.

규정 준수 알림: 열화상 시리즈 제품은 미국, 유럽 연합, 영국 및/또는 기타 바세나르 협정국을 포함하되 이에 국한되지 않고 여러 국가 및 지역의 수출 통제 대상이 될 수 있습니다. 열화상 시리즈 제품을 국가 간 운송, 수출, 재수출하려는 경우 필요한 수출 라이선스 요구 사항에 대해 법률 또는 규정 준수 전문가 또는 해당 국가의 정부 기관에 문의하십시오.

繁體中文

1. 簡要說明

採用塑膠殼體的手持式測溫攝影機主要用於甲烷氣體除外的爆炸性氣體環境。

2.外觀 (第 1 頁)

裝置的外觀可能因不同機型而有差異。請參考實際產品。

按鈕和介面

編號	說明	功能
1	螢幕	觀看即時預覽。
2	充電指示燈	● 恆亮紅燈：正常充電中。 ● 恆亮綠燈：充滿電量。
3	電源鍵	● 按：顯示選單或確認操作。 ● 按住：關閉 / 開啟電源。
4	返回鍵	退出選單或返回上一層選單。
5	蜂鳴器	輸出聲音警報。
6	導覽鍵	按下即可選取參數。
7	光學鏡頭	檢視光學影像。
8	熱像鏡頭	檢視熱影像。
9	LED 燈	在黑暗環境中增加環境亮度。
10	鏡頭保護器開關	安裝或卸下鏡頭保護器。
11	觸發器	● 在即時檢視介面中，按下觸發器即可拍攝快照。 ● 在選單模式下，扣下扳機切換回即時預覽。
12	三腳架安裝	安裝三腳架。
13	手帶附接點	安裝手帶。
14	Type-C 介面	使用 USB Type-A 轉 Type-C 纜線為裝置充電或匯出檔案。

3.裝置充電

裝置啟動後，OSD (螢幕上顯示) 會顯示電池狀態。當電池電量低時，為裝置充電並確保其運作正常。第一次充電時，請在裝置開啟之後為裝置充電超過 8 小時。

步驟

1. 掀起 Type-C 護蓋。
2. 從這裡插入 USB Type-A 轉 Type-C 纜線並為裝置充電。

使用手冊



法律資訊

關於本手冊

本手冊提供有關使用和管理產品的指示。圖片、圖表、圖像和所有其他資訊僅用於說明和解釋。本手冊所含資訊可能會因韌體升級或其他原因而變動，恕不另行通知。請至 HIKMICRO 網站 (www.hikmicrotech.com) 尋找本手冊最新版本。請在受過產品支援訓練的專業人員的指引與協助下使用本手冊。

本手冊適用以下機型：HM-TP52N-3AQF-BX20、BX20、HM-TP5XY-ABCDEF、HM-TP5A-XY、HM-TP51N-3AQF、HM-TP53N-3AQF、HM-TP5XN-A、HM-TP5AB-XY、HM-TP5AB-XYZ、HM-TP5XY-AB、HM-TP5XY-A。

法律免責聲明

在適用法律允許的最大範圍內，本手冊及所描述產品，其硬體、軟體和韌體均以「現狀」提供，瑕疵錯誤概不負責。HIKMICRO 不作任何明示或暗示的保證，包括但不限於適售性、品質滿意度或適合某特定用途。您必須承擔使用本產品的風險。對於任何特殊、衍生、偶發或間接的損害，包括但不限於營業利潤損失、營業中斷，或者資料遺失、系統毀損或文件遺失，只要是基於違反合約、侵權 (包括過失)、產品責任或產品使用 (即使 HIKMICRO 已知悉可能會有此類損害或損失)，HIKMICRO 概不負責。您了解網際網路的性質具有固有的安全風險，對於因網路攻擊、駭客攻擊、病毒感染或其他網路安全風險而造成的異常運作、隱私洩漏或其他損害，HIKMICRO 概不承擔任何責任；但 HIKMICRO 將提供及時的技術支援。

您同意依照所有適用法律使用本產品，而且您有責任確保您的使用符合適用法律。特別是，您有責任在使用本產品時不侵犯第三方權利，包括但不限於出版權、知識財產權或資訊保護以及其他隱私權。您不得將本產品用於任何禁止的最終用途，包括開發或生產大規模毀滅性武器、開發或生產化學武器或生物武器，以及任何有關核爆炸或不安全核燃料循環的任何活動，或支持侵犯人權。

如果本手冊與適用法律產生任何衝突，以後者為準。

法規資訊

這些條款僅適用於帶有對應標記或資訊的產品。

EU 合規性聲明



本產品及 (如果適用) 其附件都已標示「CE」，因此符合適用指令 2014/30/EU (EMCD) 和指令 2011/65/EU (RoHS)

所列統一歐洲標準。

注意事項：輸入電壓在 50 至 1000 VAC 或 75 至 1500 VDC 範圍內的產品符合指令 2014/35/EU (LVD)，且其餘產品符合指令 2001/95/EC (GPSD)。請查看具體的電源供應資訊以供參考。

裝置未隨附電源變壓器時，請使用合格製造商提供的電源變壓器。有關詳細的功率要求，請參閱產品規格。

裝置未隨附電池時，請使用合格製造商提供的電池。有關詳細的電池要求，請參閱產品規格。



指令 2012/19/EU (WEEE 指令)：已標示此符號的產品在歐盟不得當成未分類的都市廢棄物處理。為了正確回收，請在購買同等的新設備時將本產品退回當地供應商，或將其棄置在指定的回收點。詳細資訊請參閱 www.recyclethis.info



指令 2006/66/EC 及其修訂 2013/56/EU (電池指令)：本產品內含一顆電池，在歐盟區不能當成未分類的都市廢棄物處理。有關特定的電池資訊，請參閱產品說明文件。已標示此符號的電池可能含有代表鎘 (Cd)、鉛 (Pb) 或汞 (Hg) 的字母。為正確回收，請將電池送回供應商或指定的回收點。詳細資訊請參閱 www.recyclethis.info。

本攝影機用途

ATEX： II 3 G Ex ic IIC T6 Gc
II 3 D Ex ic IIIC T85°C Dc

IECEX： Ex ic IIC T6 Gc
Ex ic IIIC T85°C Dc

IP 等級：IP54

Ex 標準：

IEC 60079-0:2017 IEC 60079-11:2011

Ex 憑證：

TÜV 23 ATEX 8963 IECEX TUR 23.0015

危險區域安全使用特殊條件：

1. 在使用和維護裝置時，禁止變更固有安全電路或相關元件的名稱、型號、規格和參數。
2. 拆卸或操作裝置時，請務必斷開電源供應，並且請勿在電源開啟狀態下操作裝置。如果裝置處於爆炸性氣體環境，請勿進行上述操作。
3. 裝置在正常使用、維護和清潔期間，應該避免靜電放電引起點燃。請勿在爆炸性氣體環境中擦拭裝置。如需更換或擦拭裝置，應該在無爆炸性氣體的環境中完成。
4. 禁止在危險區域為裝置充電或更換電池。
5. 應保護裝置免於曝露在日光或燈具照明下。
6. 裝置只有在處於非危險區域時，才應使用製造商為配合單元使用而專門供應的充電器進行充電。充電溫度範圍是 0 °C 至 45 °C。
7. 裝置的電池禁止由終端使用者更換。
8. 介面護蓋在危險場所應將 Type-C USB 連接埠封住。
9. 已針對機械危險測試相應低風險的抗衝擊性。必須保護裝置免受強烈衝擊。

安全指示

這些指示的目的在確保使用者正確使用本產品，避免造成危險或財產損失。

法律和法規

- 使用本產品必須嚴格遵守當地電氣安全法規。

運輸

- 在運送裝置時，請將裝置放入原本的或類似的包裝中。

- 在拆封後保留所有包裝以供將來使用。如果發生任何故障，則需要利用原本的包裝將裝置送回工廠。未使用原本的包裝運輸可能會導致裝置損壞，本公司概不承擔任何責任。
- 請勿使本產品掉落或遭受撞擊。請勿讓裝置受到磁性干擾。

電源供應

- 根據 IEC61010-1 標準，輸入電壓應符合有限電源 (3.7 VDC, 0.5 A) 的規定。如需詳細資訊，請參閱技術規格。
- 確認已將插頭正確連接至電源插座。
- 請勿將多個裝置連接至相同電源變壓器以避免過熱，或因過載造成火災危險。
- 請使用合格製造商提供的電源變壓器。有關詳細的功率要求，請參閱產品規格。

電池

- 內建電池無法拆卸。如有需要，請聯絡製造商進行維修。如果更換類型不正確，電池可能會爆炸。僅以相同或同等類型取代。依照電池製造商提供的說明處理用過的電池。
- 使用合格製造商提供的電池。有關詳細的電池要求，請參閱產品規格。
- 為了長期儲存電池，請確保電池每半年充滿電，以確保電池品質。否則，可能會造成損壞。
- 確認已將插頭正確連接至電源插座。
- 當裝置電源關閉且 RTC 電池充滿時，時間設定可保持 4 個月。
- 首次使用前，請為鋰電池充電超過 8 小時。

維護

- 如果產品無法正常運作，請聯絡您的經銷商或最近的服務中心。對於因未經授權的維修或保養而造成的問題，本公司概不承擔任何責任。
- 如有需要，請使用乾淨的布和少量酒精輕輕擦拭裝置。
- 如果以製造商未指定的方式使用設備，則可能會影響裝置所提供的保護。
- 您的攝影機將定期執行自我校準以最佳化影像品質和測量準確度。在此過程中，影像會短暫暫停，當快門在偵測器前移動時，您會聽到「咔嚓」聲。在啟動期間或在很冷或很熱的環境中，自我校準將更加頻繁。這是確保攝影機達到最佳效能的正常操作部分。

校準服務

- 我們建議您每年將裝置送回校準一次，請聯絡當地經銷商取得維護點的資訊。如需更詳細的校準服務，請造訪 <https://www.hikmicrotech.com/en/support/calibration-service.html>。

使用環境

- 請確定操作環境符合裝置的需求。操作溫度應為 -20 °C 至 40 °C (-4 °F 至 104 °F)，濕度應小於 95%。
- 將裝置放在乾燥且通風良好的環境中。

- 請勿使裝置暴露於高電磁輻射或塵土飛揚的環境中。
- 請勿將鏡頭瞄準陽光或任何其他明亮的光線。
- 使用任何雷射設備時，請確保裝置鏡頭未暴露在雷射光束中，否則可能會燒毀。

技術支援

<https://www.hikmicrotech.com/en/contact-us.html> 可協助 HIKMICRO 客戶最有效地利用 HIKMICRO 產品。入口網站使您可以接觸我們的支援團隊、軟體和文件、服務聯絡人等。

緊急

如果裝置產生煙霧、異味或噪音，請立即關閉電源，拔除電源線，並聯絡維修中心。

製造地址

310052 中國浙江省杭州市濱江區西興街區丹風路
399 號 2 號樓 B 單元 313 室
杭州微影軟件有限公司

合規性注意事項：熱像系列產品可能在不同國家或地區受到出口管制，包括但不限於美國、歐盟、英國和/或瓦森納協議的其他成員國。如果您打算在不同國家之間轉讓、出口、再出口熱像系列產品，請洽詢您的專業法律或合規性專家或地方政府機關，以瞭解任何必要的出口許可要求。



HIKMICRO

See the World in a New Way

Facebook: HIKMICRO Thermography

LinkedIn: HIKMICRO

Instagram: hikmicro_thermography

YouTube: HIKMICRO Thermography

E-mail: support@hikmicrotech.com

Website: www.hikmicrotech.com

UD32970B-B