



# Thermographic Network Box Camera

## Quick Start Guide

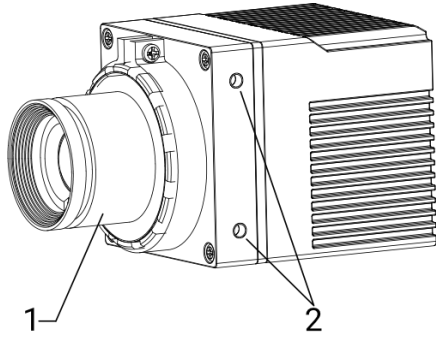


Contact Us

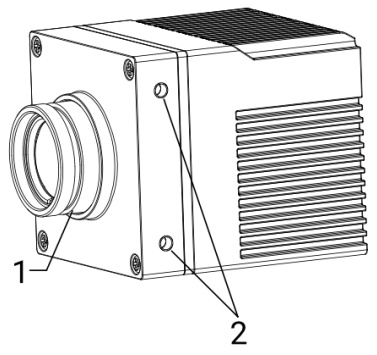
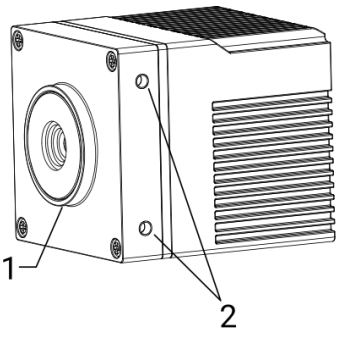
## Table of Contents

English .....	5	Türkçe .....	84
Français .....	10	Русский .....	89
Deutsch .....	15	Українська .....	95
Español .....	21	한국어 .....	101
Italiano .....	26	日本語 .....	105
Português .....	31	繁體中文 .....	110
Nederlands .....	36		
Čeština .....	41		
Dansk .....	46		
Magyar .....	51		
Polski .....	56		
Română.....	61		
Slovenčina .....	66		
Bahasa Indonesia .....	71		
မြန်မာ .....	76		

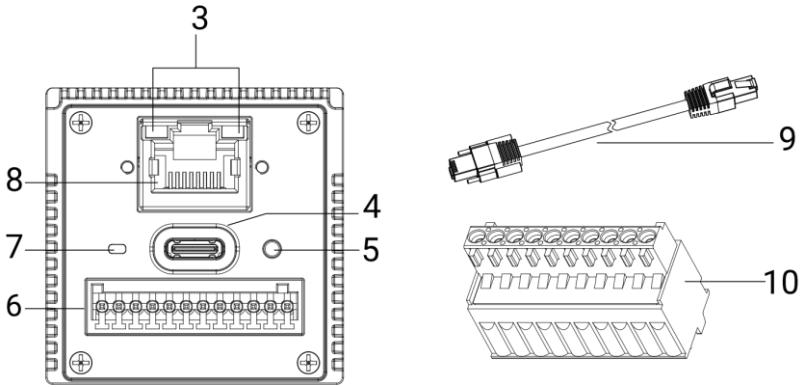
A  
A.1



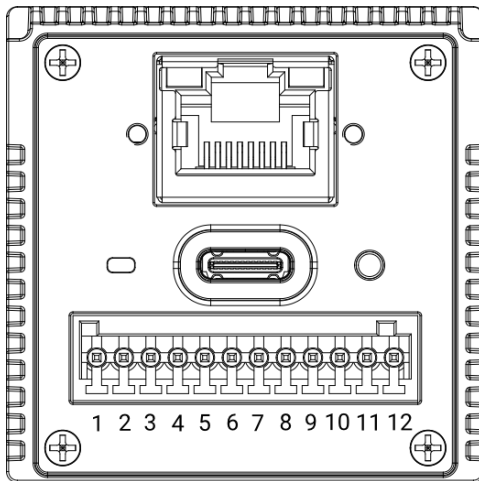
A.2



### A.3

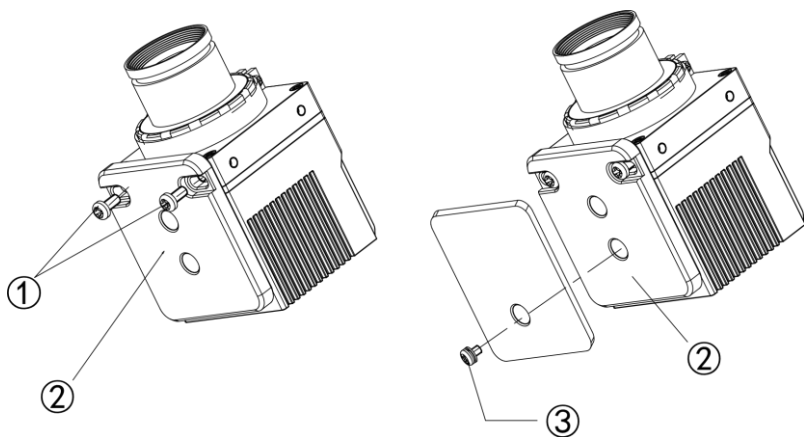


### B

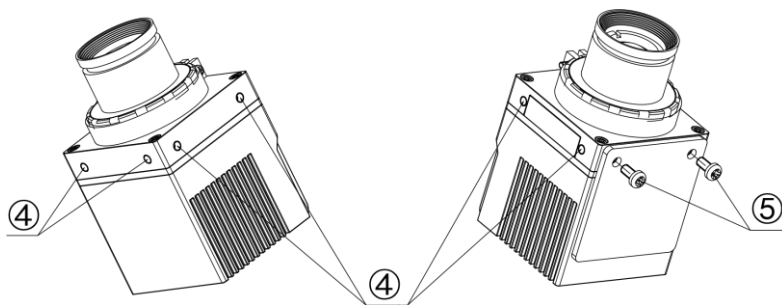


C

C.1

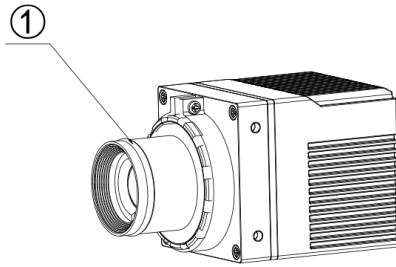


C.2

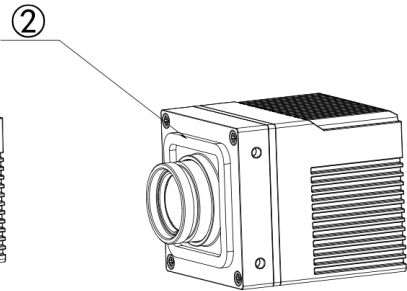
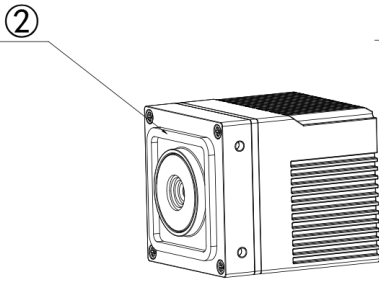


D

D.1



D.2



E



**i** Product appearance is for reference only and may differ from the actual product.

## 1 Introduction

### 1.1 Overview

The thermographic network box camera (hereinafter referred to as “device”) integrates remote internet detection, video server, and real-time temperature measurement functions.

Remote transmission, preview, and configuration can be realized through browsers and clients. It is mainly applied in industrial thermography, explosion-proof integration, robot integration, etc.

## 2 Appearance Description

### 2.1 Camera Overview (Page 1, 2 – A)

The appearance may vary according to different models. Please take the actual product for reference.

No.	Component	Description
1	Thermal Lens	Shows the thermal image.
2	M3 Thread Hole	To install screw.
3	Network Indicator	<ul style="list-style-type: none"> <li>Flash: Transmit network data.</li> <li>Solid: The network is connected without data transmission.</li> </ul>
4	USB Type-C Socket	Transmit data with a USB-C to USB-A cable.
5	Reset Button	Press the reset button and then connect the power supply. Press and hold the reset button for 10s and release the button, and the device will restore to factory settings.

6	Terminal Socket	Contains 12 pin connectors.
7	Power Indicator	<ul style="list-style-type: none"> <li>Solid Green: Device operating.</li> <li>Solid Red: Device starting.</li> </ul>
8	Network Interface	RJ-45, network communication.
9	Network Cable	When connecting the cable to the network port, tighten the screws on the cable to secure it.
10	Terminal Block	Insert the terminal block into the terminal socket, and join the wires with reference to the pin definition.

### 2.2 Pin Definition (Page 2 – B)

No.	Signal	Description
1	Power	DC 10~30 V power input.
2	GND	
3	UART_R	UART serial communication, for device debugging.
4	UART_T	
5	UART_P	
6	AL_IN	1 alarm input; 1 alarm output. The external power supply for the alarm output should be < DC 60 V, 1.3 A.
7	AL_OUTA	
8	AL_OUTB	
9	RS-485+	RS-485 serial communication.
10	RS-485-	
11	GND	Analog output of local video.
12	CVBS	

### 3 Activate and Access Network Camera

Visit [www.hikmicrotech.com](http://www.hikmicrotech.com) to download and install HIKMICRO Studio. Refer to the user manual of the device for detailed operation.

## 4 Installation (Page 3 – C)

 Danger:

- Cut off all the power when installing, plugging or unplugging the device to ensure the safety of personnel and the device.
- Make sure that the device is properly grounded.
- The device is not waterproof. Do not expose the device to direct sunlight or install the device independently in outdoor environments.

### 4.1 Intsall to Brackets (Page 3 – C.1)

**Note.** The adapter board and the 1/4-20 UNC screw in the illustration below are not supplied with the device. Choose whether to prepare the adapter board and 1/4-20 UNC screw based on actual application.

**Steps:**

1. Use the M3 × 6 screws (①) in the package to attach the adapter board (②) to the device.
2. Install the device using a 1/4-20 UNC screw (③).

### 4.2 Intsall Directly (Page 3 – C.2)

When installing the device to the mounting surface directly, you can turn the M3 screw (⑤) into the M3 thread hole (④) depth: 2.5 mm) to join the device to the mounting surface.

### 5 Waterproof Design (Page 4 – D)

When integrating the device, you can choose a waterproof design method based on the actual appearance of your device.

- For model I device, refer to page 4 – D.1 and use O-shape sealing ring (①) for waterproof design.
- For model II device, refer to page 4 – D.2 and use sealing ring (②) for waterproof design.

### 6 More Operations (Page 4 – E)

Scan the QR code to obtain the user manual for more operations.

#### Regulatory Compliance and Safety Information

Read all information and instructions in this document carefully before using the device and keep it for further reference.

For more device information and instructions, please visit our website at

<https://www.hikmicrotech.com>. You can also refer to other documents (if any) accompanying the device or scan the QR code (if any) on the packaging to get more information.


©Hangzhou Microimage Software Co., Ltd. All rights reserved.

#### About this Manual

The Manual includes instructions for using and managing the Product. Pictures, charts, images and all other information hereinafter are for description and explanation only. The information contained in the Manual is subject to change, without notice, due to firmware updates or other reasons. Please find the latest version of this Manual at the HIKMICRO website ([www.hikmicrotech.com](http://www.hikmicrotech.com)).

Please use this Manual with the guidance and assistance of professionals trained in supporting the Product.

#### Trademarks Acknowledgement

 HIKMICRO and other HIKMICRO's trademarks and logos are the properties of HIKMICRO in various jurisdictions.

Other trademarks and logos mentioned are the properties of their respective owners.

#### LEGAL DISCLAIMER


TO THE MAXIMUM EXTENT PERMITTED BY APPLICABLE LAW, THIS MANUAL AND THE PRODUCT DESCRIBED, WITH ITS HARDWARE, SOFTWARE AND FIRMWARE, ARE PROVIDED "AS IS" AND "WITH ALL FAULTS AND ERRORS". HIKMICRO MAKES NO WARRANTIES, EXPRESS OR IMPLIED, INCLUDING WITHOUT LIMITATION, MERCHANTABILITY, SATISFACTORY QUALITY, OR FITNESS FOR A PARTICULAR PURPOSE. THE USE OF THE PRODUCT BY YOU IS AT YOUR OWN RISK. IN NO EVENT WILL HIKMICRO BE LIABLE TO YOU FOR ANY SPECIAL, CONSEQUENTIAL, INCIDENTAL, OR INDIRECT DAMAGES, INCLUDING, AMONG OTHERS, DAMAGES FOR LOSS OF BUSINESS PROFITS, BUSINESS INTERRUPTION, OR LOSS OF DATA, CORRUPTION OF SYSTEMS, OR LOSS OF DOCUMENTATION, WHETHER BASED ON BREACH OF CONTRACT, TORT (INCLUDING NEGLIGENCE), PRODUCT LIABILITY, OR OTHERWISE, IN CONNECTION WITH THE USE OF THE PRODUCT, EVEN IF HIKMICRO HAS BEEN ADVISED OF THE POSSIBILITY OF SUCH DAMAGES OR LOSS.

YOU ACKNOWLEDGE THAT THE NATURE OF THE INTERNET PROVIDES FOR INHERENT SECURITY RISKS, AND HIKMICRO SHALL NOT TAKE ANY RESPONSIBILITIES FOR ABNORMAL OPERATION, PRIVACY LEAKAGE OR OTHER DAMAGES RESULTING FROM CYBER-ATTACK, HACKER ATTACK, VIRUS INFECTION, OR OTHER INTERNET SECURITY RISKS; HOWEVER, HIKMICRO WILL PROVIDE TIMELY TECHNICAL SUPPORT IF REQUIRED. YOU AGREE TO USE THIS PRODUCT IN COMPLIANCE WITH ALL APPLICABLE LAWS, AND YOU ARE SOLELY RESPONSIBLE FOR ENSURING THAT YOUR USE CONFORMS TO THE APPLICABLE LAW. ESPECIALLY, YOU ARE RESPONSIBLE, FOR USING THIS PRODUCT IN A MANNER THAT DOES NOT INFRINGE ON THE RIGHTS OF THIRD PARTIES, INCLUDING WITHOUT LIMITATION, RIGHTS OF PUBLICITY, INTELLECTUAL PROPERTY RIGHTS, OR DATA PROTECTION AND OTHER PRIVACY RIGHTS. YOU SHALL NOT USE THIS PRODUCT FOR ANY PROHIBITED END-USES, INCLUDING THE DEVELOPMENT OR PRODUCTION OF WEAPONS OF MASS DESTRUCTION, THE DEVELOPMENT OR PRODUCTION OF CHEMICAL OR BIOLOGICAL WEAPONS, ANY ACTIVITIES IN THE CONTEXT RELATED TO ANY NUCLEAR EXPLOSIVE OR UNSAFE NUCLEAR FUEL-CYCLE, OR IN SUPPORT OF HUMAN RIGHTS ABUSES. IN THE EVENT OF ANY CONFLICTS BETWEEN THIS MANUAL AND THE APPLICABLE LAW, THE LATTER PREVAILS.

### Regulatory Information

**These clauses apply only to the products bearing the corresponding mark or information.**

### EU Compliance Statement

 This product and - if applicable - the supplied accessories too are marked with "CE" and comply therefore with the applicable harmonized European standards listed under the Directive 2014/30/EU (EMCD) and Directive 2011/65/EU (RoHS). Note: The products with the input voltage of within 50 to 1000 VAC or 75 to 1500 VDC comply with Directive 2014/35/EU (LVD), and the rest products comply with Directive 2001/95/EC (GPSD). Please check the

specific power supply information for reference.

Warning: This is a class A product. In a domestic environment this product may cause radio interference, in which case, the user may be required to take adequate measures.



Directive 2012/19/EU (WEEE Directive): Products marked with this symbol cannot be disposed of as unsorted municipal waste in the European Union. For proper recycling, return this product to your local supplier upon the purchase of equivalent new equipment, or dispose of it at designated collection points. For more information see: [www.recyclethis.info](http://www.recyclethis.info).



Regulation (EU)

2023/1542(Battery Regulation):

This product contains a battery and it is in conformity with the Regulation (EU) 2023/1542. The battery cannot be disposed of



as unsorted municipal waste in the European Union. See the product documentation for specific battery information. The battery is marked with this symbol, which may include lettering to indicate cadmium (Cd), or lead (Pb). For proper recycling, return the battery to your supplier or to a designated collection point. For more information see: [www.recyclethis.info](http://www.recyclethis.info).

### Safety Instructions

These instructions are intended to ensure that user can use the product correctly to avoid danger or property loss. Please read all the safety information carefully before using.

### Laws and Regulations

The device should be used in compliance with local laws, electrical safety regulations, and fire prevention regulations.

### Transportation

- Keep the device in original or similar packaging while transporting it.
- Do not drop the product or subject it to physical shock. Keep the device away from magnetic interface.

### Electrical Safety

- CAUTION: If the fuse of the device can be

replaced, replace it only with the same model to reduce the risk of fire or electric shock.

- If a fuse is connected to the neutral wire and a double pole/neutral fusing occurs, parts of the device that remain energized might represent a hazard during servicing after operation of the fuse.

- The device must be connected to an earthed mains socket-outlet.
- The socket-outlet shall be installed near the device and shall be easily accessible.
- Do not touch the bare components (such as the metal contacts of the inlets) and wait for at least 5 minutes, since electricity may still exist after the device is powered off.
- If the device is powered by terminals connected to the power cord, ensure correct voltage and wiring of the terminals for connection to mains supply.
- In the use of the product, you must be in strict compliance with the electrical safety regulations of the nation and region.
- The device shall not be exposed to water dripping or splashing, and no objects filled with liquids, such as vases, shall be placed on the device.

### **Battery**

Warning:

- CAUTION: Risk of explosion if the battery is replaced by an incorrect type.
- Improper replacement of the battery with an incorrect type may defeat a safeguard (for example, in the case of some lithium battery types).
- Do not dispose of the battery into fire or a hot oven, or mechanically crush or cut the battery, which may result in an explosion.
- Do not subject the product to extremely high temperature environment such as fire or heating oven, which may result in an explosion or the leakage of flammable liquid or gas.
- Do not subject the product to heated vessels, washing machines, or pressure vessels.
- Dispose of used batteries according to the instructions.
- This equipment is not suitable for use in locations where children are likely to be present.

### **Fire Prevention**

- No naked flame sources, such as lighted candles, should be placed on the device.

- For the device with ventilation openings, the ventilation openings should not be impeded by covering the ventilation openings with items, such as newspapers, table-cloths, and curtains. The openings shall never be blocked by placing the device on a bed, sofa, rug, or other similar surface.

### **Power Supply**

- Make sure the plug is properly connected to the power socket.
- DO NOT connect multiple devices to one power adapter, to avoid over-heating or fire hazards caused by overload.
- + identifies the positive terminal(s) of equipment which is used with, or generates direct current. - identifies the negative terminal(s) of equipment which is used with, or generates direct current.

### **Installation**

- Install the device according to the instructions in this manual.
- To prevent injury, this device must be securely attached to the installation surface in accordance with the installation instructions.
- Never place the equipment in an unstable location. The equipment may fall, causing serious personal injury or death.

### **System Security**

- Please understand that you have the responsibility to configure all the passwords and other security settings about the device, and keep your user name and password.

### **Maintenance**

- If the product does not work properly, please contact your dealer or the nearest service center. We shall not assume any responsibility for problems caused by unauthorized repair or maintenance.
- Wipe the device gently with a clean cloth and a small quantity of ethanol, if necessary.
- If the equipment is used in a manner not specified by the manufacturer, the protection provided by the device may be impaired.
- If the device needs to be wired by yourself, select the corresponding wire to supply power according to the electric parameters labeled on the device. Strip off wire with a standard wire stripper at corresponding position. To avoid serious consequences, the length of stripped wire shall be appropriate, and conductors shall not be exposed.

## **Using Environment**

- Make sure the running environment meets the requirement of the device. The operating temperature shall be -20 °C to 50 °C (-4 °F to 122 °F), and the operating humidity shall be less than 90% RH.
- DO NOT aim the lens at the sun or any other bright light.
- DO NOT expose the device to high electromagnetic radiation.

## **Emergency**

- Make sure that the power has been disconnected before you wire, install, or disassemble the device.
- If smoke, odor, or noise arises from the device, immediately turn off the power, unplug the power cable, and contact the service center.

## **Time Synchronization**

- Set up device time manually for the first time access if the local time is not synchronized with that of the network. Visit the device via Web browser/client software and go to time settings interface.

## **Manufacture Address**

Room 313, Unit B, Building 2, 399 Danfeng Road, Xixing Subdistrict, Binjiang District, Hangzhou, Zhejiang 310052, China  
Hangzhou Microimage Software Co., Ltd.

COMPLIANCE NOTICE: The thermal series products might be subject to export controls in various countries or regions, including without limitation, the United States, European Union, United Kingdom and/or other member countries of the Wassenaar Arrangement. Please consult your professional legal or compliance expert or local government authorities for any necessary export license requirements if you intend to transfer, export, re-export the thermal series products between different countries.

**i** L'image du produit est donnée uniquement à titre de référence et le produit réel peut présenter un aspect différent.

## 1 Introduction

### 1.1 Vue d'ensemble

La caméra réseau thermographique (ci-après dénommée « appareil ») intègre des fonctions de surveillance à distance par internet, de serveur vidéo et de mesure de la température en temps réel.

La transmission, la prévisualisation et la configuration à distance peuvent être réalisées via des navigateurs et des clients. Il est principalement utilisé pour la thermographie industrielle, l'intégration antidéflagrante, l'intégration de robots, etc.

## 2 Description de l'apparence

### 2.1 Présentation de la caméra (Page 1, 2 – A)

L'apparence peut varier selon les modèles. Veuillez vous référer au produit réel.

N°	Composant	Description
1	Objectif thermique	Affiche l'image thermique.
2	Trou taraudé M3	Pour installer une vis.
3	Voyant réseau	<ul style="list-style-type: none"> <li>Clignotement : Transmission de données réseau.</li> <li>Fixe : Le réseau est connecté, sans transmission de données.</li> </ul>
4	Prise USB de type C	Transférez des données avec un câble USB-C vers USB-A.
5	Bouton de réinitialisation	Appuyez sur le bouton de réinitialisation, puis branchez l'alimentation électrique. Appuyez sur le bouton de réinitialisation et maintenez-le

		enfoncé pendant 10 secondes, puis relâchez le bouton ; l'appareil rétablit les paramètres d'usine.
6	Prise du terminal	Contient des connecteurs à 12 broches.
7	Voyant d'alimentation	<ul style="list-style-type: none"> <li>Vert fixe : Fonctionnement de l'appareil.</li> <li>Rouge fixe : Démarrage de l'appareil.</li> </ul>
8	Interface réseau	RJ-45, communication réseau.
9	Câble réseau	Lorsque vous connectez le câble au port réseau, serrez les vis du câble pour le fixer.
10	Bornier	Insérez le bornier dans la prise de raccordement et reliez les fils en vous référant à la définition des broches.

### 2.2 Définition des broches (Page 2 – B)

N°	Signal	Description
1	Alimentation	Entrée d'alimentation 10~30 VCC.
2	GND	
3	UART_R	Communication série UART, pour le débogage de l'appareil.
4	UART_T	
5	UART_P	
6	AL_IN	1 entrée d'alarme ; 1 sortie d'alarme. L'alimentation externe de la sortie d'alarme doit être < 60 VCC, 1,3 A.
7	AL_OUTA	
8	AL_OUTB	

9	RS-485+	Communication série RS-485.
10	RS-485-	
11	GND	Sortie analogique de la vidéo locale.
12	CVBS	

### 3 Activation et accès à la caméra réseau

Visitez [www.hikmicrotech.com](http://www.hikmicrotech.com) pour télécharger et installer HIKMICRO Studio. Reportez-vous au manuel d'utilisation de l'appareil pour un fonctionnement détaillé.

### 4 Installation (Page 3 – C)

 Danger :

- Coupez toute l'alimentation électrique lors de l'installation, du branchement ou du débranchement de l'appareil afin de garantir la sécurité du personnel et de l'appareil.
- Assurez-vous que l'appareil est correctement mis à la terre.
- L'appareil n'est pas étanche. N'exposez pas l'appareil à la lumière directe du soleil et ne l'installez pas vous-même en extérieur.

#### 4.1 Intersection avec les supports (Page 3 – C.1)

**Remarque.** La carte d'adaptation et la vis 1/4-20 UNC de l'illustration ci-dessous ne sont pas fournies avec l'appareil. Choisissez de préparer la carte d'adaptation et la vis 1/4-20 UNC en fonction de l'application réelle.

**Procédure :**

1. Utilisez les vis M3 × 6 (①) fournies pour fixer la carte d'adaptation (②) à l'appareil.
2. Installer l'appareil à l'aide d'une vis UNC 1/4-20 (③).

#### 4.2 Installation directe (Page 3 – C.2)

Lorsque l'appareil est installé directement sur la surface de montage, vous pouvez tourner la vis M3 (⑤) dans le trou fileté M3 (④) de profondeur : 2,5 mm) pour fixer l'appareil à la surface de montage.

### 5 Conception étanche (Page 4 – D)

Lors de l'intégration de l'appareil, vous pouvez choisir une méthode de conception étanche en fonction de l'apparence réelle de votre appareil.

- Pour l'appareil de modèle I, se référer à la page 4 – D.1 et utiliser le joint d'étanchéité en forme de O (①) pour la conception étanche.

- Pour l'appareil de modèle II, se référer à la page 4 – D.2 et utiliser le joint d'étanchéité (②) pour la conception étanche.

### 6 Autres opérations (Page 4 – E)

Scannez le code QR pour obtenir le manuel d'utilisation pour plus d'opérations.

### Conformité à la réglementation et consignes de sécurité

Lisez soigneusement toutes les informations et instructions de ce document avant d'utiliser l'appareil et conservez-le pour toute référence ultérieure.

Pour plus d'informations et d'instructions sur l'appareil, veuillez consulter notre site Web à l'adresse <https://www.hikmicrotech.com>. Vous pouvez également consulter les autres documents (le cas échéant) accompagnant l'appareil ou scanner le code QR (le cas échéant) sur l'emballage pour obtenir plus d'informations.

### MENTIONS LÉGALES

DANS LES LIMITES AUTORISÉES PAR LA LOI EN VIGUEUR, LE PRÉSENT MANUEL ET LE PRODUIT DÉCRIT, AINSI QUE SON MATÉRIEL, SES LOGICIELS ET SES FIRMWARES, SONT FOURNIS « EN L'ÉTAT » ET « AVEC CES DÉFAUTS ET ERREURS ». HIKMICRO NE FAIT AUCUNE GARANTIE, EXPLICITE OU IMPLICITE, Y COMPRIS, MAIS SANS S'Y LIMITER, DE QUALITÉ MARCHANDE, DE QUALITÉ SATISFAISANTE, OU D'ADÉQUATION À UN USAGE PARTICULIER. VOUS UTILISEZ LE PRODUIT À VOS PROPRES RISQUES. EN AUCUN CAS, HIKMICRO NE SERA TENU RESPONSABLE DE TOUT DOMMAGE SPÉCIAL, CONSÉCUTIF, ACCESSOIRE OU INDIRECT, Y COMPRIS, ENTRE AUTRES, LES DOMMAGES RELATIFS À LA PERTE DE PROFITS D'ENTREPRISE, À L'INTERRUPTION D'ACTIVITÉS COMMERCIALES, OU LA PERTE DES DONNÉES, LA CORRUPTION DES SYSTÈMES, OU LA PERTE DES DOCUMENTS, S'ILS SONT BASÉS SUR UNE VIOLATION DE CONTRAT, UNE FAUTE (Y COMPRIS LA NÉGLIGENCE), LA RESPONSABILITÉ EN MATIÈRE DE PRODUITS, OU AUTRE, EN RAPPORT AVEC L'UTILISATION DU PRODUIT, MÊME SI HIKMICRO A ÉTÉ INFORMÉ DE LA POSSIBILITÉ D'UN TEL DOMMAGE OU D'UNE TELLE PERTE.

VOUS RECONNAISSEZ QUE LA NATURE D'INTERNET EST SOURCE DE RISQUES DE


SÉCURITÉ INHÉRENTS, ET HIKMICRO SE DÉGAGE DE TOUTE RESPONSABILITÉ EN CAS DE FONCTIONNEMENT ANORMAL, DIVULGATION D'INFORMATIONS CONFIDENTIELLES OU AUTRES DOMMAGES DÉCOULANT D'UNE CYBERATTAQUE, D'UN PIRATAGE INFORMATIQUE, D'UNE INFECTIION PAR DES VIRUS, OU AUTRES RISQUES DE SÉCURITÉ LIÉS À INTERNET ; TOUTEFOIS, HIKMICRO FOURNIRA UNE ASSISTANCE TECHNIQUE DANS LES DÉLAIS SI NÉCESSAIRE.

VOUS ACCEPTEZ D'UTILISER CE PRODUIT CONFORMÉMENT À L'ENSEMBLE DES LOIS EN VIGUEUR. IL EST DE VOTRE RESPONSABILITÉ EXCLUSIVE DE VEILLER À CE QUE VOTRE UTILISATION SOIT CONFORME À LA LOI APPLICABLE. IL VOUS APPARTIEN T SURTOUT D'UTILISER CE PRODUIT D'UNE MANIÈRE QUI NE PORTE PAS ATTEINTE AUX DROITS DE TIERS, Y COMPRIS, MAIS SANS S'Y LIMITER, LES DROITS DE PUBLICITÉ, LES DROITS DE PROPRIÉTÉ INTELLECTUELLE, OU LA PROTECTION DES DONNÉES ET D'AUTRES DROITS À LA VIE PRIVÉE. VOUS NE DEVEZ PAS UTILISER CE PRODUIT POUR TOUTE UTILISATION FINALE INTERDITE, NOTAMMENT LA MISE AU POINT OU LA PRODUCTION D'ARMES DE DESTRUCTION MASSIVE, LA MISE AU POINT OU LA FABRICATION D'ARMES CHIMIQUES OU BIOLOGIQUES, LES ACTIVITÉS DANS LE CONTEXTE LIÉ AUX EXPLOSIFS NUCLÉAIRES OU AU CYCLE DU COMBUSTIBLE NUCLÉAIRE DANGEREUX, OU SOUTENANT LES VIOLATIONS DES DROITS DE L'HOMME. EN CAS DE CONFLIT ENTRE CE MANUEL ET LES LOIS EN VIGUEUR, CES DERNIÈRES PRÉVALENT.

### Informations réglementaires

**Ces clauses ne s'appliquent qu'aux produits portant la marque ou l'information correspondante.**

### Déclaration de conformité UE

 Ce produit et - le cas échéant - les accessoires fournis portent le marquage « CE » et sont donc conformes aux normes européennes harmonisées applicables répertoriées dans la Directive 2014/30/UE (directive sur la compatibilité

électromagnétique) et la Directive 2011/65/UE (RoHS).

Remarque : Les produits dont la tension d'entrée est comprise entre 50 et 1 000 V CA ou 75 et 1 500 V CC sont conformes à la directive 2014/35/UE (LVD), et les autres produits sont conformes à la directive 2001/95/CE (GPSD). Veuillez examiner les informations d'alimentation spécifiques à des fins de référence.

Avertissement : Il s'agit d'un produit de classe A. Dans un environnement domestique, ce produit peut provoquer des interférences radio, auquel cas l'utilisateur peut être amené à prendre des mesures adéquates.



Directive 2012/19/UE (directive DEEE) : dans l'Union européenne, les produits portant ce pictogramme ne doivent pas être déposés dans une déchèterie municipale où le tri des déchets n'est pas pratiqué. Pour un recyclage adéquat, remettez ce produit à votre revendeur lors de l'achat d'un nouvel équipement équivalent, ou déposez-le dans un lieu de collecte prévu à cet effet. Pour plus de précisions, rendez-vous sur : [www.recyclethis.info](http://www.recyclethis.info).



Règlement (UE) 2023/1542 (Règlement sur les piles/batteries) : Ce produit contient une batterie et est conforme au règlement (UE) 2023/1542. La batterie ne peut pas être déposée dans une déchèterie municipale où le tri des déchets n'est pas pratiqué, dans l'Union européenne. Pour plus de précisions sur la pile, reportez-vous à sa documentation. La batterie porte ce symbole qui peut inclure la mention cadmium (Cd) ou plomb (Pb). Pour la recycler correctement, renvoyez-la à votre revendeur ou déposez-la dans un point de collecte prévu à cet effet. Pour de plus amples informations, visitez le site Web : [www.recyclethis.info](http://www.recyclethis.info).

### Précautions d'emploi

L'objectif de ces instructions est de garantir que l'utilisateur soit en mesure d'utiliser correctement le produit sans danger ou dommage aux biens. Veuillez lire

soigneusement toutes les consignes de sécurité avant d'utiliser l'appareil.

### **Lois et réglementations**

L'appareil doit être utilisé conformément à la législation locale ainsi qu'aux réglementations en matière de sécurité électrique et de prévention des incendies.

### **Transport**

- Gardez l'appareil dans son emballage d'origine ou dans un emballage similaire lors de son transport.
- Ne pas faire tomber le produit ou le soumettre à un choc physique. Gardez l'appareil à l'écart des interférences magnétiques.

### **Sécurité électrique**

- **ATTENTION** : si vous devez remplacer le fusible de l'appareil, remplacez-le uniquement par un fusible du même modèle pour réduire les risques d'incendie ou de choc électrique.
- Si un fusible est connecté au fil neutre et qu'une fusion bipolaire/neutre se produit, les parties de l'appareil qui restent sous tension peuvent représenter un danger lors de l'entretien après le fonctionnement du fusible.
- L'appareil doit être connecté à une prise électrique secteur mise à la terre.
- La prise de courant doit être installée près de l'équipement et doit être facilement accessible.
- Ne touchez pas les composants nus (tels que les contacts de métal des entrées) et patientez au moins 5 minutes, puisque l'appareil peut toujours être alimenté après la mise hors tension de l'appareil.
- Si l'appareil est alimenté par des bornes connectées au cordon d'alimentation, assurez-vous que la tension et le câblage des bornes sont appropriés pour un branchement à une alimentation secteur.
- En utilisant le produit, vous devez respecter rigoureusement la réglementation relative à la sécurité électrique de votre pays ou région.
- N'exposez pas l'appareil aux égouttements et éclaboussures et assurez-vous qu'aucun objet rempli de liquide, tel que les vases, ne soit posé sur l'appareil.

### **Batterie**

Avertissement :

- **ATTENTION** : Il y a un risque d'explosion lorsque la batterie est remplacée par une

batterie de type incorrect.

- Le remplacement de la pile par une pile du mauvais type peut conduire à l'annulation d'une protection (par exemple, dans le cas de certains types de piles au lithium).
- Ne jetez pas une pile au feu ou dans un four chaud, ni ne broyez mécaniquement ou découpez une pile, car cela pourrait engendrer une explosion.
- N'exposez pas le produit à des températures extrêmement élevées, telles que celles d'un feu ou d'un four de chauffage, car vous encourez un risque d'explosion ou une fuite de liquide ou de gaz inflammable.
- N'exposez pas le produit à des récipients chauffés, à des machines à laver ou à des récipients sous pression.
- Éliminez les piles usées conformément aux instructions.
- Cet équipement n'est pas adapté à un usage dans les endroits où des enfants sont susceptibles d'être présents.

### **Prévention des incendies**

- Aucune source de flamme nue, telle que des bougies allumées, ne doit être placée sur l'appareil.
- Pour l'appareil équipé d'ouvertures d'aération, n'entravez pas le système de ventilation : ne recouvrez pas les ouvertures d'aération d'articles tels que des journaux, une nappe, des rideaux. Ces ouvertures ne doivent jamais être bloquées, par exemple en posant l'appareil sur un lit, un canapé, un tapis ou toute autre surface similaire.

### **Alimentation électrique**

- Vérifiez que la prise est correctement branchée à la prise électrique.
- Pour éviter tout risque de surchauffe ou d'incendie dû à une surcharge, ne reliez PAS plusieurs appareils à un seul adaptateur d'alimentation.
- Le symbole « + » identifie la (les) borne(s) positive(s) de l'équipement qui est utilisé avec, ou qui génère du courant continu. Le symbole « - » identifie la (les) borne(s) négative(s) de l'équipement qui est utilisé avec, ou qui génère du courant continu.

### **Installation**

- Installez l'appareil conformément aux instructions dans ce manuel.
- Pour éviter toute blessure, cet appareil doit être fermement fixé à la surface d'installation

conformément aux instructions d'installation.

- N'installez jamais l'équipement sur un support instable. L'équipement pourrait tomber, entraînant des blessures graves, voire la mort.

### **Sécurité du système**

- Vous êtes responsable de la configuration de tous les mots de passe et d'autres paramètres de sécurité concernant l'appareil. Gardez votre nom d'utilisateur et votre mot de passe en sécurité.

### **Maintenance**

- Si le produit ne fonctionne pas correctement, contactez votre revendeur ou le centre de service le plus proche. Nous n'assumerons aucune responsabilité concernant les problèmes causés par une réparation ou une opération de maintenance non autorisée.

- Essayez délicatement l'appareil à l'aide d'un chiffon propre imbibé d'une petite quantité d'éthanol, si nécessaire.

- Si l'appareil n'est pas utilisé conformément aux indications du fabricant, le dispositif de protection fourni par l'appareil peut être compromis.

- Si vous devez câbler l'appareil vous-même, sélectionnez le câble correspondant à l'alimentation électrique en fonction des paramètres électriques indiqués sur l'appareil. Dénudez le câble à l'aide d'une pince à dénuder standard à l'endroit correspondant. Pour éviter des conséquences graves, la longueur du câble dénudé doit être appropriée et les conducteurs ne doivent pas être exposés.

### **Environnement d'exploitation**

- Assurez-vous que l'environnement d'exploitation répond aux exigences de l'appareil. La température de fonctionnement doit être comprise entre - 20° C et 50° C (- 4° F et 122° F), et l'humidité de fonctionnement doit être inférieure à 90 % HR.

- N'orientez PAS l'objectif vers le soleil ou toute autre source de lumière vive.

- N'exposez PAS l'appareil à de puissants rayonnements électromagnétiques.

### **Urgence**

- Assurez-vous que l'alimentation est coupée avant de procéder au câblage, à l'installation ou au démontage de l'appareil.

- Si de la fumée, des odeurs ou du bruit s'échappent de l'appareil, mettez immédiatement l'appareil hors tension et débranchez le câble d'alimentation, puis contactez un centre de réparation.

### **Synchronisation de l'heure**

- Si l'heure locale de l'appareil n'est pas synchronisée avec celle du réseau, configurez-la manuellement lors du premier accès. Accédez à l'appareil via le navigateur Web/le logiciel client et allez dans l'interface de réglage de l'heure.

### **Adresse de fabrication**

Logement 313, Unité B, Bâtiment 2, 399 Danfeng Road, Sous-district de Xixing, District de Binjiang, Hangzhou, Zhejiang 310052, Chine

Hangzhou Microimage Software Co., Ltd.

AVIS DE CONFORMITÉ : il est possible que les produits de la série thermique soient soumis à des contrôles d'exportation dans divers pays ou diverses régions, ce qui inclut, sans s'y limiter, les États-Unis, l'Union européenne, le Royaume-Uni ou d'autres pays membres de l'Arrangement de Wassenaar. Veuillez consulter votre expert professionnel en questions juridiques ou en conformité ou les autorités de votre gouvernement local pour toute exigence de permis d'exportation si vous prévoyez de transférer, d'exporter ou de réexporter des produits de la série thermique entre différents pays.

**i** Das Erscheinungsbild des Produkts dient nur als Referenz und kann vom tatsächlichen Produkt abweichen.

**1 Einleitung**

**1.1 Übersicht**

Die thermografische Netzwerkkamera (im Folgenden als „Gerät“ bezeichnet) integriert die Funktionen der Internet-Fernüberwachung, des Videoservers und der Temperaturmessung in Echtzeit.

Fernübertragung, Vorschau und Konfiguration können über Browser und Clients realisiert werden. Sie wird hauptsächlich in der industriellen Thermografie, der explosionsgeschützten Integration, der Roboterintegration usw. eingesetzt.

**2 Äußere Beschreibung**

**2.1 Übersicht über die Kamera (Seite 1, 2 – A)**

Das Aussehen kann je nach Modell variieren. Bitte nehmen Sie das tatsächliche Produkt als Referenz.

Nr.	Komponente	Beschreibung
1	Wärmebildobjektiv	Zeigt das Wärmebild an.
2	M3-Gewindebohrung	Zum Installieren der Schraube.
3	Netzwerkanzeige	<ul style="list-style-type: none"> <li>• Blinken: Übermittlung von Netzwerkdaten.</li> <li>• Leuchtet: Das Netz ist ohne Datenübertragung verbunden.</li> </ul>
4	USB-Typ-C-Buchse	Übertragen Sie Daten mit einem USB-C-auf-USB-A-Kabel.
5	Reset-Taste	Drücken Sie die Zurücksetzen-

		Taste und schließen Sie dann die Stromversorgung an. Drücken Sie die Zurücksetzen-Taste und halten Sie sie 10 Sekunden lang gedrückt. Lassen Sie die Taste los, um das Gerät auf die Werkseinstellungen zurückzusetzen.
6	Anschlussbuchse	Enthält 12-polige Anschlüsse.
7	Betriebsanzeige	<ul style="list-style-type: none"> <li>• Leuchtet Grün: Gerät in Betrieb.</li> <li>• Leuchtet rot: Gerät wird gestartet.</li> </ul>
8	Netzwerkanschlüssen	RJ-45, Netzwerkkommunikation.
9	Netzwerkkabel	Wenn Sie das Kabel an den Netzwerkanschluss anschließen, ziehen Sie die Schrauben am Kabel fest, um es zu sichern.
10	Anschlussleiste	Stecken Sie die Anschlussleiste in die Anschlussbuchse und verbinden Sie die Drähte

		entsprechend der Anschlussbezeichnung.
--	--	--

nicht im Lieferumfang des Geräts enthalten. Wählen Sie je nach tatsächlicher Anwendung, ob Sie die Adapterplatte und die 1/4-20 UNC-Schraube vorbereiten möchten.

## 2.2 Anschlussbezeichnung (Seite 2 – B)

Nr.	Signal	Beschreibung
1	Strom	DC 10~30 Stromeingang.
2	MASSE	
3	UART_R	Serielle UART-Kommunikation, für die Fehlersuche im Gerät.
4	UART_T	
5	UART_P	
6	AL_IN	1 Alarmeingang; 1 Alarmausgang. Die externe Stromversorgung für den Alarmausgang sollte < DC 60 V, 1,3 A betragen.
7	AL_OUTA	
8	AL_OUTB	
9	RS-485+	Serielle RS-485-Kommunikation.
10	RS-485-	
11	MASSE	Analoger Ausgang für lokales Video.
12	CVBS	

## 3 Netzwerkamera aktivieren und darauf zugreifen

Besuchen Sie zum Herunterladen und Installieren von HIKMICRO Studio die Website [www.hikmicrotech.com](http://www.hikmicrotech.com). Beachten Sie für detaillierte Anweisungen die Bedienungsanleitung des Gerätes.

## 4 Installation (Seite 3 – C)

 Gefahr:

- Unterbrechen Sie die Stromzufuhr, wenn Sie das Gerät installieren, einstecken oder ausstecken, um die Sicherheit des Personals und des Geräts zu gewährleisten.
- Stellen Sie sicher, dass das Gerät ordnungsgemäß geerdet ist.
- Das Gerät ist nicht wasserdicht. Setzen Sie das Gerät nicht direktem Sonnenlicht aus und stellen Sie es nicht im Freien auf.

## 4.1 An den Halterungen anbringen (Seite 3 – C.1)

**Hinweis.** Die Adapterplatte und die 1/4-20 UNC-Schraube in der Abbildung unten sind

### Schritte:

1. Verwenden Sie die M3 × 6-Schrauben (①) aus dem Paket, um die Adapterplatte (②) am Gerät zu befestigen.
2. Befestigen Sie das Gerät mit einer 1/4-20 UNC-Schraube (③).

## 4.2 Direkte Befestigung (Seite 3 – C.2)

Wenn Sie das Gerät direkt auf der Montagefläche befestigen, können Sie die M3-Schraube (⑤) in das M3-Gewindeloch (④) Tiefe: 2,5 mm) drehen, um das Gerät mit der Montagefläche zu verbinden.

## 5 Wasserdichtes Design (Seite 4 – D)

Bei der Einpassung des Geräts können Sie eine wasserdichte Designmethode wählen, die auf dem tatsächlichen Aussehen Ihres Geräts basiert.

- Informationen zum Modell I-Gerät finden Sie auf Seite 4 – D.1. Verwenden Sie einen O-förmigen Dichtungsring (①) für wasserdichtes Design.
- Informationen zum Modell II-Gerät finden Sie auf Seite 4 – D.2. Verwenden Sie einen Dichtungsring (②) für wasserdichtes Design.

## 6 Weitere Operationen (Seite 4 – E)

Scannen Sie den QR-Code unten, um das Benutzerhandbuch für eine ausführlichere Anleitung abzurufen.

## Informationen zur Einhaltung gesetzlicher Vorschriften und zur Sicherheit

Lesen Sie alle Informationen und Anweisungen in diesem Dokument sorgfältig, bevor Sie das Gerät in Betrieb nehmen und bewahren Sie sie zum Nachschlagen auf. Weitere Informationen und Anleitungen zum Gerät finden Sie auf unserer Website unter <https://www.hikmicrotech.com>. Weitere Informationen finden Sie auch in anderen Dokumenten (falls vorhanden), die dem Gerät beiliegen oder Sie können den QR-Code (falls vorhanden) auf der Verpackung scannen.

## HAFTUNGSAUSSCHLUSS

DIESE BEDIENUNGSANLEITUNG UND DAS BESCHRIEBENE PRODUKT MIT SEINER HARDWARE, SOFTWARE UND FIRMWARE

WERDEN, SOWEIT GESETZLICH ZULÄSSIG, IN DER „VORLIEGENDEN FORM“ UND MIT „ALLEN FEHLERN UND IRRTÜMERN“ BEREITGESTELLT. HIKMICRO GIBT KEINE GARANTIE, WEDER AUSDRÜCKLICH NOCH STILLSCHWEIGEND, EINSCHLIEßLICH, ABER OHNE DARAUF BESCHRÄNKT ZU SEIN, MARKTGÄNGIGKEIT, ZUFRIEDENSTELLENDEN QUALITÄT ODER EIGNUNG FÜR EINEN BESTIMMTEN ZWECK. DIE NUTZUNG DES PRODUKTS DURCH SIE ERFOLGT AUF IHRE EIGENE GEFAHR. IN KEINEM FALL IST HIKMICRO IHNEN GEGENÜBER HAFTBAR FÜR BESONDERE, ZUFÄLLIGE, DIREKTE ODER INDIREKTE SCHÄDEN, EINSCHLIEßLICH, ABER OHNE DARAUF BESCHRÄNKT ZU SEIN, VERLUST VON GESCHÄFTSGEWINNEN, GESCHÄFTSUNTERBRECHUNG, DATENVERLUST, SYSTEMBESCHÄDIGUNG, VERLUST VON DOKUMENTATIONEN, SEI ES AUFGRUND VON VERTRAGSBRUCH, UNERLAUBTER HANDLUNG (EINSCHLIEßLICH FAHRLÄSSIGKEIT), PRODUKTHAFTUNG ODER ANDERWEITIG, IN VERBINDUNG MIT DER VERWENDUNG DIESES PRODUKTS, SELBST WENN HIKMICRO ÜBER DIE MÖGLICHKEIT DERARTIGER SCHÄDEN ODER VERLUSTE INFORMIERT WAR.

SIE ERKENNEN AN, DASS DIE NATUR DES INTERNETS DAMIT VERBUNDENE SICHERHEITSRISIKEN BEINHÄLT. HIKMICRO ÜBERNIMMT KEINE VERANTWORTUNG FÜR ANORMALEN BETRIEB, DATENVERLUST ODER ANDERE SCHÄDEN, DIE SICH AUS CYBERANGRIFFEN, HACKERANGRIFFEN, VIRUSINFESTION ODER ANDEREN SICHERHEITSRISIKEN IM INTERNET ERGEBEN. HIKMICRO WIRD JEDOCH BEI BEDARF ZEITNAH TECHNISCHEM SUPPORT LEISTEN.

SIE STIMMEN ZU, DIESES PRODUKT IN ÜBEREINSTIMMUNG MIT ALLEN GELTENDEN GESETZEN ZU VERWENDEN, UND SIE SIND ALLEIN DAFÜR VERANTWORTLICH, DASS IHRE VERWENDUNG GEGEN KEINE GELTENDEN GESETZE VERSTÖßT. INSBESONDERE SIND SIE DAFÜR VERANTWORTLICH, DIESES PRODUKT SO ZU VERWENDEN, DASS DIE RECHTE DRITTER NICHT VERLETZT WERDEN, EINSCHLIEßLICH, ABER NICHT BESCHRÄNKT AUF

VERÖFFENTLICHUNGSRECHTE, DIE RECHTE AN GEISTIGEM EIGENTUM ODER DEN DATENSCHUTZ UND ANDERE PERSÖNLICHKEITSRECHTE. SIE DÜRFEN DIESES PRODUKT NICHT FÜR VERBOTENE ENDANWENDUNGEN VERWENDEN, EINSCHLIEßLICH DER ENTWICKLUNG ODER HERSTELLUNG VON MASSENVERNICHTUNGSWAFFEN, DER ENTWICKLUNG ODER HERSTELLUNG CHEMISCHER ODER BIOLOGISCHER WAFFEN, JEDLICHER AKTIVITÄTEN IM ZUSAMMENHANG MIT EINEM NUKLEAREN SPRENGKÖRPER ODER UNSICHEREN NUKLEAREN BRENNSTOFFKREISLAUF BZW. ZUR UNTERSTÜTZUNG VON MENSCHENRECHTSVERLETZUNGEN. IM FALL VON WIDERSPRÜCHEN ZWISCHEN DIESER BEDIENUNGSANLEITUNG UND GELTENDEM RECHT IST LETZTERES MASSGEBLICH.

#### **Behördliche Informationen**

**Diese Bestimmungen gelten nur für Produkte, die das entsprechende Zeichen oder die entsprechenden Informationen tragen.**

#### **Erklärung zur EU-Konformität**

**CE** Dieses Produkt und - falls zutreffend - auch das mitgelieferte Zubehör sind mit "CE" gekennzeichnet und entsprechen somit den geltenden harmonisierten europäischen Normen, die unter den Richtlinien 2014/30/EU (EMCD) und 2011/65/EU (RoHS) aufgeführt sind.

Hinweis: Die Produkte mit einer Eingangsspannung von 50 - 1000 VAC oder 75 - 1500 VDC entsprechen der Richtlinie 2014/35/EU (NSR). Die übrigen Produkte entsprechen der Richtlinie 2001/95/EG (GPSD). Prüfen Sie bitte die entsprechenden Angaben zur Stromversorgung.

Warnung: Dies ist ein Produkt der Klasse A. In einer Wohnumgebung kann dieses Produkt Funkstörungen verursachen, die möglicherweise vom Benutzer durch geeignete Maßnahmen zu beseitigen sind.



Richtlinie 2012/19/EU (WEEE-Richtlinie): Produkte, die mit diesem Symbol gekennzeichnet sind, dürfen innerhalb der Europäischen Union nicht mit dem Hausmüll entsorgt werden. Für

korrektes Recycling geben Sie dieses Produkt an Ihren örtlichen Fachhändler zurück oder entsorgen Sie es an einer der Sammelstellen. Für weitere Informationen siehe: [www.recyclethis.info](http://www.recyclethis.info).



Verordnung (EU) 2023/1542 (Batterieverordnung): Dieses Produkt enthält einen Akku und ist konform mit der Verordnung (EU) 2023/1542. Der Akku darf in der Europäischen Union nicht



als unsortierter kommunaler Abfall entsorgt werden. Siehe Produktdokumentation für spezifische Hinweise zu Akkus oder Batterien. Der Akku ist mit diesem Symbol gekennzeichnet, das auch Buchstaben enthalten kann, die auf Cadmium (Cd) oder Blei (Pb) hinweisen. Für korrektes Recycling geben Sie die Akkus/Batterien an Ihren örtlichen Fachhändler zurück oder entsorgen Sie sie an einer der Sammelstellen. Weitere Informationen finden Sie unter: [www.recyclethis.info](http://www.recyclethis.info).

## INFORMATIONEN FÜR PRIVATE HAUSHALTE

### 1. Getrennte Erfassung von Altgeräten:

Elektro- und Elektronikgeräte, die zu Abfall geworden sind, werden als Altgeräte bezeichnet. Besitzer von Altgeräten haben diese einer vom unsortierten Siedlungsabfall getrennten Erfassung zuzuführen. Altgeräte gehören insbesondere nicht in den Hausmüll, sondern in spezielle Sammel- und Rückgabesysteme.

### 2. Batterien und Akkus sowie Lampen:

Besitzer von Altgeräten haben Altbatterien und Altakkumulatoren, die nicht vom Altgerät umschlossen sind, die zerstörungsfrei aus dem Altgerät entnommen werden können, im Regelfall vor der Abgabe an einer Erfassungsstelle vom Altgerät zu trennen. Dies gilt nicht, soweit Altgeräte einer Vorbereitung zur Wiederverwendung unter Beteiligung eines öffentlich-rechtlichen Entsorgungsträgers zugeführt werden.

### 3. Möglichkeiten der Rückgabe von Altgeräten:

Besitzer von Altgeräten aus privaten Haushalten können diese bei den Sammelstellen der öffentlich-rechtlichen Entsorgungsträger oder bei den von Herstellern oder Vertriebern im Sinne des

ElektroG eingerichteten Rücknahmestellen unentgeltlich abgeben. Rücknahmepflichtig sind Geschäfte mit einer Verkaufsfläche von mindestens 400 m<sup>2</sup> für Elektro- und Elektronikgeräte sowie diejenigen Lebensmittelgeschäfte mit einer Gesamtverkaufsfläche von mindestens 800 m<sup>2</sup>, die mehrmals pro Jahr oder dauerhaft Elektro- und Elektronikgeräte anbieten und auf dem Markt bereitstellen. Dies gilt auch bei Vertrieb unter Verwendung von Fernkommunikationsmitteln, wenn die Lager- und Versandflächen für Elektro- und Elektronikgeräte mindestens 400 m<sup>2</sup> betragen oder die gesamten Lager- und Versandflächen mindestens 800 m<sup>2</sup> betragen. Verreiber haben die Rücknahme grundsätzlich durch geeignete Rückgabemöglichkeiten in zumutbarer Entfernung zum jeweiligen Endnutzer zu gewährleisten. Die Möglichkeit der unentgeltlichen Rückgabe eines Altgerätes besteht bei rücknahmepflichtigen Vertriebern unter anderem dann, wenn ein neues gleichartiges Gerät, das im Wesentlichen die gleichen Funktionen erfüllt, an einen Endnutzer abgegeben wird.

### 4. Datenschutz-Hinweis:

Altgeräte enthalten häufig sensible personenbezogene Daten. Dies gilt insbesondere für Geräte der Informations- und Telekommunikationstechnik wie Computer und Smartphones. Bitte beachten Sie in Ihrem eigenen Interesse, dass für die Löschung der Daten auf den zu entsorgenden Altgeräten jeder Endnutzer selbst verantwortlich ist.

### 5. Bedeutung des Symbols „durchgestrichene Mülltonne“:



Das auf Elektro- und Elektronikgeräten regelmäßig abgebildete Symbol einer durchgestrichenen Mülltonne weist darauf hin, dass das jeweilige Gerät am Ende seiner Lebensdauer getrennt vom unsortierten Siedlungsabfall zu erfassen ist.

### Sicherheitshinweise

Diese Anleitungen sollen gewährleisten, dass Sie das Produkt korrekt verwenden, um Gefahren oder Sachschäden zu vermeiden. Bitte lesen Sie alle Sicherheitshinweise sorgfältig durch, bevor Sie das Gerät in Betrieb nehmen.

## **Gesetze und Vorschriften**

Das Gerät muss in Übereinstimmung mit lokalen Gesetzen, Vorschriften zur elektrischen Sicherheit und Brandschutzvorschriften verwendet werden.

### **Transportwesen**

- Bewahren Sie das Gerät beim Transport in der ursprünglichen oder einer vergleichbaren Verpackung auf.
- Lassen Sie das Produkt nicht fallen und vermeiden Sie heftige Stöße. Halten Sie das Gerät von magnetischen Störungen fern.

### **Elektrische Sicherheit**

- **ACHTUNG:** Wenn die Sicherung des Geräts ersetzt werden kann, darf sie nur durch eine Sicherung desselben Typs ersetzt werden, um das Risiko eines Brandes oder elektrischen Schlags zu verringern.
- Wenn eine Sicherung an den Nullleiter angeschlossen ist und eine zweipolige/ neutrale Sicherung auftritt, können Teile des Geräts, die weiterhin unter Spannung stehen, bei Wartungsarbeiten nach dem Auslösen der Sicherung eine Gefahr darstellen.
- Das Gerät muss an einen geerdeten Netzstecker angeschlossen werden.
- Die Steckdose sollte sich in der Nähe des Geräts befinden und muss einfach zugänglich sein.
- Berühren Sie keine blanken Bauteile (wie Metallkontakte der Eingänge) und warten Sie mindestens 5 Minuten, da nach dem Ausschalten des Geräts noch Strom in den Leitungen vorhanden sein kann.
- Wenn das Gerät über Klemmen mit Strom versorgt wird, die mit dem Netzkabel verbunden sind, achten Sie auf die korrekte Spannung und Verkabelung der Klemmen für den Anschluss an ein Stromnetz.
- Bei der Verwendung des Produkts müssen die elektrischen Sicherheitsbestimmungen des Landes oder der Region strikt eingehalten werden.
- Das Gerät darf weder Tropf- noch Spritzwasser ausgesetzt werden, und es dürfen keine mit Flüssigkeit gefüllten Gegenstände, wie etwa Vasen, auf das Gerät gestellt werden.

### **Akku**

Warnung:

- **ACHTUNG:** Bei Austausch der Batterie durch einen falschen Typ besteht Explosionsgefahr.
- Unsachgemäßer Austausch des Akkus durch einen falschen Typ kann eine Schutzvorrichtung umgehen (z. B. bei einigen Lithium-Batterietypen).
- Batterien nicht durch Verbrennen, in einem heißen Ofen oder Zerkleinern oder Zerschneiden entsorgen. Das kann zu einer Explosion führen.
- Setzen Sie das Produkt keiner extrem heißen Umgebung aus, bspw. Feuer oder einem heißen Ofen. Das kann zu einer Explosion oder zum Austreten von entflammbarer Flüssigkeit oder Gas führen.
- Geben Sie das Produkt nicht in einen beheizten Behälter, eine Waschmaschine oder einen Druckbehälter.
- Entsorgen Sie die verbrauchten Batterien gemäß den Anweisungen.
- Das Gerät ist nicht für den Einsatz an Orten geeignet, an denen sich wahrscheinlich Kinder aufhalten.

### **Brandschutz**

- Stellen Sie keine offenen Flammen, wie zum Beispiel brennende Kerzen, auf das Gerät.
- Bei Geräten mit Lüftungsschlitzen sollten die Lüftungsschlitze nicht mit Gegenständen wie Zeitungen, Tischtüchern und Vorhängen verdeckt werden. Die Lüftungsöffnungen dürfen niemals dadurch verdeckt werden, dass das Gerät auf ein Bett, ein Sofa, einen Teppich oder eine ähnliche Oberfläche gestellt wird.

### **Spannungsversorgung**

- Stellen Sie sicher, dass der Stecker richtig in der Steckdose steckt.
- Verbinden Sie NICHT mehrere Geräte mit einem Netzteil, da es andernfalls durch Überlastung zu einer Überhitzung oder einem Brand kommen kann.
- + kennzeichnet den/die Pluspol(e) von Geräten, die mit Gleichstrom betrieben werden oder Gleichstrom erzeugen. – kennzeichnet den/die Minuspol(e) von Geräten, die mit Gleichstrom betrieben werden oder Gleichstrom erzeugen.

### **Installation**

- Montieren Sie das Gerät gemäß den Hinweisen in dieser Anleitung.
- Um Verletzungen zu vermeiden, muss

dieses Gerät gemäß den Installationsanweisungen sicher auf der Montagefläche montiert werden.

- Stellen Sie das Gerät niemals an einem instabilen Ort auf. Es könnte umfallen und schwere oder sogar tödliche Verletzungen verursachen.

### **Systemsicherheit**

- Bitte nehmen Sie zur Kenntnis, dass Sie die Verantwortung dafür tragen, alle Passwörter und andere Sicherheitseinstellungen für das Gerät zu konfigurieren und Ihren Benutzernamen und Ihr Passwort aufzubewahren.

### **Wartung**

- Falls das Produkt nicht einwandfrei funktionieren sollte, wenden Sie sich an Ihren Händler oder den nächstgelegenen Kundendienst. Wir übernehmen keine Haftung für Probleme, die durch nicht Reparatur- oder Instandhaltungsarbeiten von nicht autorisierten Dritten verursacht werden.

- Wischen Sie das Gerät bei Bedarf sanft mit einem sauberen Tuch und einer geringen Menge Ethanol ab.

- Wenn das Gerät nicht vom Hersteller vorgegebenem Sinne genutzt wird, kann der durch das Gerät bereitgestellte Schutz beeinträchtigt werden.

- Wenn Sie das Gerät selbst verdrahten müssen, wählen Sie das Kabel für die Stromversorgung entsprechend den auf dem Gerät angegebenen elektrischen Werten. Isolieren Sie das Kabel mit einer handelsüblichen Abisolierzange an der entsprechenden Stelle ab. Um schwerwiegende Folgen zu vermeiden, müssen die Drähte über eine angemessene Länge abisoliert werden, doch dürfen die Leiter nicht freiliegen.

### **Einsatzumgebung**

- Achten Sie darauf, dass die Betriebsumgebung den Anforderungen des Geräts entspricht. Die Betriebstemperatur liegt zwischen -20 °C und 50 °C (-4 °F und 122 °F), und die Betriebsluftfeuchtigkeit sollte weniger als 90 % betragen.

- Richten Sie das Objektiv NICHT auf die Sonne oder eine andere helle Lichtquelle.

- Setzen Sie das Gerät KEINER hohen elektromagnetischen Strahlung aus.

### **Notruf**

- Stellen Sie sicher, dass die Stromversorgung unterbrochen wurde, bevor Sie das Gerät verkabeln, installieren oder demontieren.

- Sollten sich Rauch, Gerüche oder Geräusche in dem Gerät entwickeln, so schalten Sie es unverzüglich aus und ziehen Sie den Netzstecker. Wenden Sie sich dann an den Kundendienst.

### **Zeitsynchronisation**

- Stellen Sie die Gerätezeit beim erstmaligen Gebrauch manuell ein, wenn die lokale Zeit nicht mit der des Netzwerks synchronisiert ist. Rufen Sie das Gerät über den Webbrowser/die Client-Software auf und navigieren Sie zur Oberfläche für Zeiteinstellungen.

### **Anschrift des Herstellers**

Raum 313, Einheit B, Gebäude 2, 399 Danfeng-Straße, Gemarkung Xixing, Stadtbezirk Binjiang, Hangzhou, Zhejiang 310052, China  
Hangzhou Microimage Software Co., Ltd.

RECHTLICHER HINWEIS: Die Produkte der Wärmebildkamera-Serie unterliegen unter Umständen in verschiedenen Ländern oder Regionen Exportkontrollen, wie zum Beispiel in den Vereinigten Staaten, der Europäischen Union, dem Vereinigten Königreich und/oder anderen Mitgliedsländern des Wassenaar-Abkommens. Bitte informieren Sie sich bei Ihrem Rechtsexperten oder bei den örtlichen Behörden über die erforderlichen Exportlizenzen, wenn Sie beabsichtigen, die Produkte der Wärmebildkamera-Serie in verschiedene Länder zu transferieren, zu exportieren oder zu reexportieren.

**i** La apariencia del producto es solo una referencia y puede diferir de la apariencia real del producto.

## 1 Introducción

### 1.1 Descripción general

La cámara termográfica con caja de red (en lo sucesivo, "dispositivo") integra funciones de vigilancia remota por Internet, servidor de vídeo y medición de la temperatura en tiempo real.

La transmisión remota, la previsualización y la configuración se pueden realizar a través de navegadores y clientes. Se aplica principalmente en termografía industrial, integración a prueba de explosiones, integración de robots, etc.

## 2 Descripción del aspecto

### 2.1 Descripción general de la cámara (página 1, 2 – A)

La apariencia puede variar dependiendo del modelo. Seleccione el tipo del producto real como referencia.

Núm.	Componente	Descripción
1	Lente térmica	Muestra la imagen térmica.
2	Orificio con rosca M3	Para colocar el tornillo.
3	Indicador de red	<ul style="list-style-type: none"> <li>● Parpadeante: Se están transmitiendo los datos de red.</li> <li>● Constante: La red está conectada sin transmisión de datos.</li> </ul>
4	Enchufe USB tipo C	Transfiera datos con un cable de USB-C a USB-A.
5	Botón de reinicio	Pulse el botón de restablecimiento y, luego, vuelva a conectarse a la fuente de alimentación.

		Mantenga pulsado el botón de restablecimiento durante 10 s y suéltelo para que se restablezcan los ajustes de fábrica del dispositivo.
6	Toma de terminales	Contiene conectores de 12 clavijas.
7	Indicador de encendido	<ul style="list-style-type: none"> <li>● Verde fijo: Dispositivo en funcionamiento.</li> <li>● Rojo fijo: Dispositivo iniciándose.</li> </ul>
8	Conexión de red	RJ-45, comunicación de red.
9	Cable de red	Al conectar el cable de red en el puerto de red, apriete los tornillos del cable para fijarlo.
10	Bloque de terminales	Inserte el bloque de terminales en la toma de terminales y una los cables con referencia a la definición de las clavijas.

### 2.2 Definición de las clavijas (página 2 – B)

Núm.	Señal	Descripción
1	Encendido	Entrada de alimentación CC 10~30 V.
2	Toma de tierra	
3	UART_R	Comunicación serie UART, para depuración del dispositivo.
4	UART_T	
5	UART_P	

6	AL_IN	1 entrada de alarma; 1 salida de alarma. La fuente de alimentación externa para la salida de la alarma debe ser < CC 60 V, 1,3 A.
7	AL_OUTA	
8	AL_OUTB	
9	RS-485+	Comunicación serie RS-485.
10	RS-485-	
11	Toma de tierra	Salida analógica de vídeo local.
12	CVBS	

### 3 Activación y acceso a la cámara de red

Vaya a [www.hikmicrotech.com](http://www.hikmicrotech.com) para descargar e instalar HIKMICRO Studio. Consulte el manual de usuario del dispositivo para obtener más información sobre el funcionamiento.

### 4 Instalación (página 3 – C)

 Peligro:

- Corte toda la alimentación cuando instale, enchufe o desenchufe el dispositivo para garantizar la seguridad del personal y del dispositivo.
- Asegúrese de que el dispositivo esté correctamente conectado a tierra.
- El dispositivo no es resistente al agua. No exponga el dispositivo a la luz directa del sol ni lo instale independientemente en entornos exteriores.

#### 4.1 Instalación en soportes (página 3 – C.1)

**Nota.** La placa adaptadora y el tornillo 1/4-20 UNC de la ilustración siguiente no se suministran con el dispositivo. Elija si preparar la tarjeta adaptadora y el tornillo 1/4-20 UNC según la aplicación real.

**Pasos:**

1. Use los 6 tornillos M3 (①) que vienen en el paquete para conectar la tarjeta adaptadora (②) al dispositivo.
2. Instale el dispositivo con un tornillo 1/4-20 UNC (③).

#### 4.2 Instalación directa (página 3 – C.2)

Al instalar el dispositivo en la superficie de montaje directamente, puede girar el tornillo M3 (⑤) en el orificio con rosca M3 (④)

profundidad: 2,5 mm) para unir el dispositivo a la superficie de montaje.

### 5 Diseño impermeable (página 4 – D)

Al integrar el dispositivo, puede optar por un método de diseño impermeable según la apariencia específica de su dispositivo.

- Para el dispositivo modelo I, consulte la página 4 – D.1 y use la arandela tórica en forma de O (①) para un diseño impermeable.
- Para el dispositivo modelo II, consulte la página 4 – D.2 y use la arandela tórica (②) para un diseño impermeable.

### 6 Más operaciones (página 4 – E)

Escanee el código QR para obtener el manual de usuario para conocer más operaciones.

### Cumplimiento normativo e información de seguridad

Lea detenidamente toda la información y las instrucciones de este documento antes de usar el dispositivo y consérvelo para futuras referencias.

Para obtener más información e instrucciones del dispositivo, visite nuestra página web <https://www.hikmicrotech.com>. También puede consultar el resto de documentos (si hay alguno) que acompañan al dispositivo o escanear el código QR (si hay alguno) del paquete para obtener más información.

### AVISOS LEGALES

EN LA MEDIDA MÁXIMA PERMITIDA POR LAS LEYES APLICABLES, ESTE MANUAL Y EL PRODUCTO DESCRITO –INCLUIDOS SU HARDWARE, SOFTWARE Y FIRMWARE– SE SUMINISTRAN «TAL CUAL» Y «CON TODOS SU FALLOS Y ERRORES». HIKMICRO NO OFRECE GARANTÍAS, EXPLÍCITAS O IMPLÍCITAS, INCLUIDAS, A MODO MERAMENTE ENUNCIATIVO MAS NO LIMITATIVO, AQUELLAS DE COMERCIABILIDAD, CALIDAD SATISFACTORIA O IDONEIDAD PARA UN PROPÓSITO EN PARTICULAR. EL USO QUE HAGA DEL PRODUCTO CORRE BAJO SU ÚNICO RIESGO. EN NINGÚN CASO, HIKMICRO PODRÁ CONSIDERARSE RESPONSABLE ANTE USTED DE NINGÚN DAÑO ESPECIAL, CONSECUENTE, INCIDENTAL O INDIRECTO, INCLUYENDO, ENTRE OTROS, DAÑOS POR PÉRDIDAS DE BENEFICIOS COMERCIALES, INTERRUPCIÓN DE LA ACTIVIDAD

COMERCIAL, PÉRDIDA DE DATOS, CORRUPCIÓN DE LOS SISTEMAS O PÉRDIDA DE DOCUMENTACIÓN, YA SEA POR INCUMPLIMIENTO DEL CONTRATO, AGRAVIO (INCLUYENDO NEGLIGENCIA), RESPONSABILIDAD DEL PRODUCTO O EN RELACIÓN CON EL USO DEL PRODUCTO, INCLUSO CUANDO HIKMICRO HAYA RECIBIDO UNA NOTIFICACIÓN DE LA POSIBILIDAD DE DICHA DAÑOS O PÉRDIDAS.

USTED RECONOCE QUE LA NATURALEZA DE INTERNET IMPLICA RIESGOS DE SEGURIDAD INHERENTES Y QUE HIKMICRO NO TENDRÁ NINGUNA RESPONSABILIDAD POR NINGÚN FUNCIONAMIENTO ANORMAL, FILTRACIONES DE PRIVACIDAD U OTROS DAÑOS RESULTANTES DE ATAQUES CIBERNÉTICOS, ATAQUES DE PIRATAS INFORMÁTICOS, INFECCIONES DE VIRUS U OTROS RIESGOS DE SEGURIDAD PROPIOS DE INTERNET; NO OBSTANTE, HIKMICRO PROPORCIONARÁ EL APOYO TÉCNICO OPORTUNO DE SER NECESARIO.

USTED ACEPTA USAR ESTE PRODUCTO DE CONFORMIDAD CON TODAS LAS LEYES APLICABLES Y SOLO USTED ES EL ÚNICO RESPONSABLE DE ASEGURAR QUE EL USO CUMPLA CON DICHAS LEYES. EN ESPECIAL, USTED ES RESPONSABLE DE USAR ESTE PRODUCTO DE FORMA QUE NO INFRINJA LOS DERECHOS DE TERCEROS, INCLUYENDO, A MODO ENUNCIATIVO, DERECHOS DE PUBLICIDAD, DERECHOS DE PROPIEDAD INTELECTUAL, DERECHOS RELATIVOS A LA PROTECCIÓN DE DATOS Y OTROS DERECHOS RELATIVOS A LA PRIVACIDAD. NO UTILIZARÁ ESTE PRODUCTO PARA NINGÚN USO FINAL PROHIBIDO, INCLUYENDO EL DESARROLLO O LA PRODUCCIÓN DE ARMAS DE DESTRUCCIÓN MASIVA, EL DESARROLLO O PRODUCCIÓN DE ARMAS QUÍMICAS O BIOLÓGICAS, NINGUNA ACTIVIDAD EN EL CONTEXTO RELACIONADO CON ALGÚN EXPLOSIVO NUCLEAR O EL CICLO DE COMBUSTIBLE NUCLEAR INSEGURO O EN APOYO DE ABUSOS DE LOS DERECHOS HUMANOS.

EN CASO DE HABER CONFLICTO ENTRE ESTE MANUAL Y LA LEGISLACIÓN VIGENTE, ESTA ÚLTIMA PREVALECE.

### Información normativa

---

**Estas cláusulas solo se aplican a los productos que lleven la marca o la información correspondiente.**

---

### Declaración de cumplimiento de la UE

**CE** Este producto y, cuando corresponda, los accesorios incluidos, también tienen la marca "CE" y por tanto cumplen los estándares europeos armonizados enumerados bajo la directiva 2014/30/UE (EMCD) y la directiva 2011/65/UE (RoHS).

Nota: Los productos con una tensión de entrada de 50 a 1000 VCA o de 75 a 1500 VCD cumplen con la directiva 2014/35/UE (LVD), y el resto de productos cumplen con la directiva 2001/95/CE (GPSD). Consulte la información de alimentación eléctrica específica como referencia.

Advertencia: Este es un producto de clase A. En un entorno doméstico este producto puede ocasionar interferencias de radio, en cuyo caso es posible que sea el usuario el responsable de adoptar las medidas adecuadas.



Directiva 2012/19/UE (directiva RAEE): En la Unión Europea, los productos marcados con este símbolo no pueden ser desechados en el sistema de basura municipal sin recogida selectiva. Para un reciclaje adecuado, entregue este producto en el lugar de compra del equipo nuevo equivalente o deshágase de él en el punto de recogida designado a tal efecto. Para más información visite: [www.recyclethis.info](http://www.recyclethis.info).



Reglamento (UE) 2023/1542 (normativa para baterías): Este producto contiene una batería y cumple con el Reglamento (UE) 2023/1542. La batería no puede ser desechada como residuo municipal sin clasificar en la Unión Europea. Consulte la documentación del producto para ver la información específica de la batería. La batería lleva marcado este símbolo, que incluye unas letras indicando si contiene cadmio (Cd) o plomo (Pb). Para un reciclaje adecuado, entregue la batería a su vendedor o llévela al punto de recogida de basuras designado a tal efecto. Para más información visite: [www.recyclethis.info](http://www.recyclethis.info).

## Instrucciones de seguridad

Estas instrucciones están destinadas a garantizar que el usuario pueda utilizar el producto correctamente para evitar peligros o pérdidas materiales. Lea detenidamente toda la información de seguridad antes de usar el dispositivo.

### Leyes y normativas

El dispositivo debe ser utilizado cumpliendo con la legislación local y las normativas de seguridad eléctrica y prevención de incendios.

### Transporte

- Guarde el dispositivo en su paquete original o en uno similar cuando lo transporte.
- No deje caer el producto ni lo someta a impactos físicos. Mantenga el dispositivo alejado de interferencias magnéticas.

### Seguridad eléctrica

- **PRECAUCIÓN:** Si el fusible del aparato puede sustituirse, sustitúyalo únicamente por otro del mismo modelo para reducir el riesgo de incendio o descarga eléctrica.
- Si un fusible está conectado a un cable neutro y se produce un sistema de fusible de doble polo/neutro, las partes del dispositivo que permanezcan alimentadas pueden representar un peligro durante el mantenimiento después de manipular el fusible.
- El dispositivo debe conectarse a una toma de corriente con conexión a tierra.
- La toma de corriente tiene que estar cerca del equipo y ser de fácil acceso.
- No toque los componentes descubiertos (como los contactos metálicos de las entradas) y espere al menos 5 minutos, ya que puede seguir habiendo electricidad después de apagar el aparato.
- Si el dispositivo se alimenta a través de terminales conectados al cable de alimentación, asegúrese de que la tensión y el cableado de estos son correctos para la conexión a la red eléctrica.
- Para usar el producto debe cumplir estrictamente con la normativa de seguridad eléctrica de su país y región.
- El dispositivo no se debe exponer a gotas o salpicaduras de agua, y no se deben colocar sobre el dispositivo objetos que contengan líquidos, como jarrones.

### Batería

Advertencia:

- **PRECAUCIÓN:** Riesgo de explosión si se reemplaza la batería por otra de tipo incorrecto.
- Una sustitución inadecuada de la batería por otra de tipo incorrecto podría inhabilitar alguna medida de protección (por ejemplo, en el caso de algunas baterías de litio).
- No arroje la batería al fuego ni la meta en un horno caliente, ni intente aplastar o cortar mecánicamente la batería, ya que podría explotar.
- No deje la batería en lugares con temperaturas muy altas, como un fuego o un horno, ya que se corre el riesgo de explosión y de fuga de líquido o gas inflamable.
- No deje el producto en recipientes calentados, lavadoras o recipientes a presión.
- Deshágase de las baterías usadas conforme a las instrucciones.
- Este equipo no es adecuado para utilizarlo en lugares donde pueda haber niños.

### Prevención de incendios

- No coloque llamas descubiertas, como velas encendidas, sobre el dispositivo.
- Para el dispositivo con aberturas de ventilación, las aberturas de ventilación no deben obstruirse cubriéndolas con elementos como periódicos, manteles o cortinas. Nunca se deben bloquear las salidas colocando el equipo sobre una cama, un sofá, una alfombra o una superficie similar.

### Fuente de alimentación

- Asegúrese de que el enchufe esté correctamente conectado a la toma de corriente.
- NO conecte múltiples dispositivos a un mismo adaptador de corriente, para evitar el sobrecalentamiento y los riesgos de incendio por sobrecarga.
- + identifica los terminales positivos de los equipos que se utilizan con corriente continua o que la generan. - identifica los terminales negativos de los equipos que se utilizan con corriente continua o que la generan.

### Instalación

- Instale el dispositivo siguiendo las instrucciones de este manual.
- Para evitar lesiones, este dispositivo debe fijarse firmemente a la superficie de instalación de acuerdo con las instrucciones

de instalación.

- No coloque nunca el equipo en una ubicación inestable. El equipo podría caer y provocar graves lesiones o la muerte.

### **Seguridad del sistema**

- Recuerde que es su responsabilidad instalar las contraseñas y las demás configuraciones de seguridad del dispositivo. Proteja su nombre de usuario y contraseña.

### **Mantenimiento**

- Si el producto no funciona correctamente, por favor, póngase en contacto con su distribuidor o con el centro de servicio técnico más próximo. No nos haremos responsables de los problemas derivados de una reparación o mantenimiento no autorizados.
- Limpie suavemente el dispositivo con una gamuza limpia con una pequeña cantidad de etanol, si fuese necesario.
- Si se utiliza el equipo de una manera no especificada por el fabricante, la protección del dispositivo podría verse mermada.
- Si debe realizar la instalación eléctrica del equipo usted mismo, seleccione el cable de alimentación correspondiente según los parámetros eléctricos indicados en el dispositivo. Con un pelacables convencional, pele el cable en la posición correspondiente. Para evitar posibles daños graves, la longitud del cable pelado deberá ser la adecuada y los conductores no deberán quedar expuestos.

### **Entorno de uso**

- Compruebe que el entorno de uso se adapte a los requisitos del dispositivo. La temperatura de funcionamiento debe ser de -20 °C a 50 °C (-4 °F a 122 °F) y la humedad de funcionamiento debe ser inferior al 90 % de la humedad relativa.
- NO oriente la lente hacia el sol ni a otras luces brillantes.
- NO exponga el dispositivo a radiaciones electromagnéticas intensas.

### **Emergencia**

- Asegúrese de que se ha cortado la alimentación eléctrica antes de conectar, instalar o desmontar el dispositivo.
- Si hay presencia de humo, olores o ruidos procedentes del dispositivo, apague la alimentación inmediatamente, desenchufe el cable de alimentación y contacte con el servicio técnico.

### **Sincronización de hora**

- En el caso de que la hora local no esté sincronizada con la hora de la red, ajuste la hora manualmente la primera vez que acceda. Acceda al dispositivo usando el navegador web/software cliente y entre en la interfaz de ajuste de la hora.

### **Dirección de fabricación**

Habitación 313, Unidad B, Edificio 2, Carretera de Danfeng 399, Subdistrito de Xixing, Distrito de Binjiang, Hangzhou, Zhejiang 310052, China

Hangzhou Microimage Software Co., Ltd.

**AVISO DE CONFORMIDAD:** Los productos de las series térmicas podrían estar sujetos a controles de exportación en algunos países o regiones; entre ellos, por ejemplo, los Estados Unidos, la Unión Europea, el Reino Unido y/o otros países miembros del Arreglo de Wassenaar. Consulte con algún experto en cumplimiento normativo y legal o con las autoridades gubernamentales locales para cumplir con los requisitos de licencia de exportación necesarios si desea transferir, exportar o reexportar los productos de las series térmicas entre distintos países.

**i** L'immagine del prodotto serve solo come riferimento e potrebbe differire dal prodotto effettivo.

## 1 Introduzione

### 1.1 Informazioni generali

La termocamera di rete a cassetta (di seguito denominata "dispositivo") integra funzioni di sorveglianza Internet da remoto, server video e misurazione della temperatura in tempo reale.

Funzioni quali trasmissione da remoto, anteprima e configurazioni possono essere eseguite tramite browser e client. Trova applicazione principalmente nella termografia industriale, nell'integrazione a prova di esplosione, nell'integrazione di robot, ecc.

## 2 Descrizione

### 2.1 Panoramica della termocamera (pagina 1, 2 - A)

L'aspetto può variare a seconda del modello. Fare riferimento al prodotto reale.

N.	Componente	Descrizione
1	Obiettivo termico	Mostra l'immagine termografica.
2	Fori per viti M3	Installazione della vite.
3	Indicatore stato canali	<ul style="list-style-type: none"> <li>Lampeggiante: trasmissione dei dati di rete.</li> <li>Fisso: la rete è connessa ma non vengono trasmessi dati.</li> </ul>
4	Presca USB Type-C	Trasmetti dati con un cavo da USB-C a USB-A.
5	Pulsante di ripristino	Premere il pulsante di reset e quindi collegare l'alimentatore. Tenere premuto il pulsante di reset per 10 secondi e rilasciarlo per ripristinare le impostazioni di

		fabbrica del dispositivo.
6	Presca con morsetti	Contiene 12 connettori pin.
7	Indicatore di alimentazione	<ul style="list-style-type: none"> <li>Verde fisso: Dispositivo in funzione.</li> <li>Rosso fisso: Dispositivo in fase di avvio.</li> </ul>
8	Interfaccia di rete	RJ-45, comunicazione di rete.
9	Cavo di rete	Quando si collega il cavo alla porta di rete, serrare le viti sul cavo per fissarlo.
10	Morsettiera	Inserire la morsettiera nella presa con morsetti e collegare i fili facendo riferimento alla definizione dei pin.

### 2.2 Definizione dei pin (pagina 2 - B)

N.	Segnale	Descrizione
1	Accensione	Alimentazione d'ingresso 10~30 V CC.
2	GND	
3	UART_R	Comunicazione seriale UART, per il debug del dispositivo.
4	UART_T	
5	UART_P	
6	AL_IN	1 ingresso allarme; 1 uscita allarme. L'alimentazione esterna per l'uscita allarme deve essere < 60 V CC, 1,3 A.
7	AL_OUTA	
8	AL_OUTB	
9	RS-485+	Comunicazione seriale RS-485.
10	RS-485-	
11	GND	

12	CVBS	Uscita analogica del video locale.
----	------	------------------------------------

### 3 Attivazione e accesso alla termocamera di rete

Visitare il sito [www.hikmicrotech.com](http://www.hikmicrotech.com) per scaricare e installare HIKMICRO Studio. Per informazioni dettagliate, consultare il manuale di istruzioni del dispositivo.

### 4 Installazione (pagina 3 – C)

 Pericolo:

- Disattivare ogni l'alimentazione quando si installa, si collega o si scollega il dispositivo per garantire la sicurezza del personale e del dispositivo.
- Verificare che il dispositivo sia collegato correttamente a terra.
- Il dispositivo non è impermeabile. Non esporre il dispositivo alla luce solare diretta né installarlo da solo in ambienti esterni.

#### 4.1 Installazione su staffe (pagina 3 – C.1)

**Nota.** La piastra adattatrice e la vite UNC da 1/4-20 nell'illustrazione sottostante non sono in dotazione con il dispositivo. Scegliere se preparare la piastra adattatrice e la vite UNC da 1/4-20 in base all'applicazione effettiva.

**Procedura:**

1. Utilizzare le viti M3 × 6 (①) nella confezione per fissare la piastra adattatrice (②) al dispositivo.
2. Installare il dispositivo con una vite UNC da 1/4-20 (③).

#### 4.2 Installazione diretta (pagina 3 – C.2)

Quando si installa il dispositivo direttamente sulla superficie di montaggio, è possibile avvitare la vite M3 (⑤) nel foro filettato M3 (④ - profondità: 2,5 mm) per fissare il dispositivo alla superficie di montaggio.

#### 5 Impermeabilizzazione (pagina 4 – D)

Quando si integra il dispositivo, è possibile scegliere un metodo di impermeabilizzazione in base all'aspetto effettivo del dispositivo.

- Per il dispositivo modello I, fare riferimento a pagina 4 – D.1 e utilizzare l'O-ring di tenuta (①) per l'impermeabilizzazione.
- Per il dispositivo modello II, fare riferimento a pagina 4 – D.2 e utilizzare l'anello di tenuta (②) per l'impermeabilizzazione.

### 6 Altre operazioni (pagina 4 – E)

Eseguire la scansione del codice QR per scaricare il manuale d'uso e trovare informazioni su altre operazioni.

### Conformità normativa e informazioni sulla sicurezza

Leggere accuratamente tutte le informazioni e le istruzioni riportate in questo documento prima di usare il dispositivo e conservarlo per consultazioni future.

Per ulteriori informazioni e istruzioni sul dispositivo, consultare il nostro sito web <https://www.hikmicrotech.com>. Per ulteriori informazioni, è possibile consultare altri documenti (se disponibili) in dotazione con il dispositivo o scansionare il codice QR sulla confezione (se presente).

### ESCLUSIONE DI RESPONSABILITÀ

NELLA MISURA MASSIMA CONSENTITA DALLA LEGGE VIGENTE, QUESTO MANUALE E IL PRODOTTO DESCRITTO, CON IL SUO HARDWARE, SOFTWARE E FIRMWARE, SONO FORNITI "COSÌ COME SONO" E "CON TUTTI I DIFETTI E GLI ERRORI". HIKMICRO NON RILASCIA ALCUNA GARANZIA, NÉ ESPRESSA NÉ IMPLICITA COME, SOLO A TITOLO DI ESEMPIO, GARANZIE DI COMMERCIALITÀ, QUALITÀ SODDISFACENTE O IDONEITÀ PER UN USO SPECIFICO. L'UTENTE UTILIZZA IL PRODOTTO A PROPRIO RISCHIO. HIKMICRO DECLINA QUALSIASI RESPONSABILITÀ VERSO L'UTENTE IN RELAZIONE A DANNI SPECIALI, CONSEGUENZIALI E INCIDENTALI, COMPRESI, TRA GLI ALTRI, I DANNI DERIVANTI DA MANCATO PROFITTO, INTERRUZIONE DELL'ATTIVITÀ O PERDITA DI DATI, DANNEGGIAMENTO DI SISTEMI O PERDITA DI DOCUMENTAZIONE, DERIVANTI DA INADEMPIENZA CONTRATTUALE, ILLECITO (COMPRESA LA NEGLIGENZA), RESPONSABILITÀ PER DANNI AI PRODOTTI O ALTRIMENTI IN RELAZIONE ALL'USO DEL PRODOTTO, ANCHE QUALORA HIKMICRO SIA STATA INFORMATA DELLA POSSIBILITÀ DI TALI DANNI O PERDITE.

L'UTENTE RICONOSCE CHE LA NATURA DI INTERNET PREVEDE RISCHI DI SICUREZZA INTRINSECI E CHE HIKMICRO DECLINA QUALSIASI RESPONSABILITÀ IN RELAZIONE A FUNZIONAMENTI ANOMALI, VIOLAZIONE DELLA RISERVATEZZA O ALTRI DANNI RISULTANTI DA ATTACCHI INFORMATICI, INFEZIONE DA VIRUS O ALTRI RISCHI LEGATI


ALLA SICUREZZA SU INTERNET; TUTTAVIA, HIKMICRO FORNIRÀ TEMPESTIVO SUPPORTO TECNICO, SE NECESSARIO.

L'UTENTE ACCETTA DI UTILIZZARE IL PRODOTTO IN CONFORMITÀ A TUTTE LE LEGGI VIGENTI E DI ESSERE IL SOLO RESPONSABILE DI TALE UTILIZZO CONFORME. IN PARTICOLARE, L'UTENTE È RESPONSABILE DEL FATTO CHE L'UTILIZZO DEL PRODOTTO NON VIOLI DIRITTI DI TERZI COME, SOLO A TITOLO DI ESEMPIO, DIRITTI DI PUBBLICITÀ, DIRITTI DI PROPRIETÀ INTELLETTUALE O DIRITTI RELATIVI ALLA PROTEZIONE DEI DATI E ALTRI DIRITTI RIGUARDANTI LA PRIVACY. NON È CONSENTITO UTILIZZARE QUESTO PRODOTTO PER SCOPI PROIBITI, COME, TRA GLI ALTRI, LA PRODUZIONE DI ARMI DI DISTRUZIONE DI MASSA, LO SVILUPPO O LA PRODUZIONE DI ARMI CHIMICHE O BIOLOGICHE, QUALSIASI ATTIVITÀ SVOLTA IN CONTESTI CORRELATI A ESPLOSIONI NUCLEARI O COMBUSTIBILI NUCLEARI NON SICURI O ATTIVITÀ CHE CAUSINO VIOLAZIONI DEI DIRITTI UMANI. IN CASO DI CONFLITTO TRA IL PRESENTE MANUALE E LA LEGGE VIGENTE, PREVARRÀ QUEST'ULTIMA.

### Informazioni sulle norme

**Queste clausole si applicano solo ai prodotti recanti il marchio o le informazioni corrispondenti.**

### Dichiarazione di conformità UE

 Il presente prodotto e gli eventuali accessori in dotazione sono contrassegnati con il marchio "CE" e sono quindi conformi alle norme europee armonizzate vigenti di cui alla Direttiva 2014/30/UE (CEM) e alla Direttiva 2011/65/UE (RoHS).

Nota: I prodotti con una tensione in ingresso compresa tra 50 e 1.000 V CA o tra 75 e 1.500 V CC sono conformi alla direttiva 2014/35/UE (direttiva Bassa Tensione); gli altri prodotti sono conformi alla direttiva 2001/95/CE (relativa alla sicurezza generale dei prodotti). Fare riferimento alle informazioni specifiche sull'alimentazione.

Avvertenza: il presente prodotto è un dispositivo di Classe A. Il prodotto può causare interferenze radio in ambienti

residenziali; in tal caso l'utente dovrà adottare contromisure adeguate.



Direttiva 2012/19/UE (Direttiva RAEE): i prodotti contrassegnati con il presente simbolo non possono essere smaltiti come rifiuti

domestici indifferenziati nell'Unione europea. Per lo smaltimento corretto, restituire il prodotto al rivenditore in occasione dell'acquisto di un nuovo dispositivo o smaltirlo nei punti di raccolta autorizzati. Ulteriori informazioni sono disponibili sul sito: [www.recyclethis.info](http://www.recyclethis.info).



Regolamento (UE) 2023/1542 (regolamento relativo alle batterie): Questo prodotto



contiene una batteria ed è conforme al Regolamento (UE) 2023/1542. La batteria non può

essere smaltita con i rifiuti domestici indifferenziati nell'Unione europea. Consultare la documentazione del prodotto per le informazioni specifiche sulla batteria. La batteria è contrassegnata con il presente simbolo, che potrebbe includere le sigle di cadmio (Cd) o piombo (Pb). Per lo smaltimento corretto, restituire la batteria al rivenditore locale o smaltirla nei punti di raccolta autorizzati. Ulteriori informazioni sono disponibili sul sito: [www.recyclethis.info](http://www.recyclethis.info).

### Istruzioni per la sicurezza

Le presenti istruzioni hanno lo scopo di garantire che il prodotto venga utilizzato in modo corretto, evitando situazioni di pericolo o danni materiali. Leggere accuratamente le informazioni di sicurezza prima dell'uso.

#### Leggi e regolamenti

Il dispositivo deve essere utilizzato rispettando le leggi locali, le norme sulla sicurezza elettrica e le norme sulla prevenzione degli incendi.

#### Trasporto

- Per trasportare il dispositivo, riporlo nella confezione originale o in una analoga.
- Non lasciar cadere il prodotto e non sottoporlo a impatti. Tenere il dispositivo lontano dai campi magnetici.

#### Sicurezza elettrica

- **ATTENZIONE:** Se il fusibile del dispositivo è sostituibile, utilizzare solo un ricambio dello

stesso modello per ridurre il rischio di incendi o scosse elettriche.

- Se un fusibile è collegato al conduttore di neutro e si bruciano entrambi i fusibili polare/neutro, le parti del dispositivo che rimangono sotto tensione potrebbero rappresentare un pericolo durante la manutenzione dopo l'attivazione del fusibile.
- Il dispositivo deve essere collegato a una presa di corrente dotata di messa a terra.
- La presa deve essere vicina al dispositivo e facilmente accessibile.
- Non toccare i componenti scoperti (come i contatti metallici delle prese) e attendere almeno 5 minuti dopo lo spegnimento dell'interruttore, perché è possibile che sia presente dell'elettricità residua.
- Se il dispositivo è alimentato da terminali collegati al cavo di alimentazione, verificare che la tensione e il cablaggio dei terminali di connessione alla presa di corrente siano corretti.

● Durante l'uso del prodotto è indispensabile rispettare rigorosamente le norme nazionali e locali sulla sicurezza elettrica.

● Il dispositivo non deve essere esposto a gocce o schizzi; non appoggiare sul dispositivo oggetti contenenti liquidi (ad esempio vasi).

## **Batteria**

Avvertenza:

- **ATTENZIONE:** Rischio di esplosione se la batteria viene sostituita con una di tipologia non corretta.
- La sostituzione della batteria con una di tipo non idoneo può impedire il corretto funzionamento dei sistemi di sicurezza (ad esempio con alcuni tipi di batterie al litio).
- Non gettare le batterie nel fuoco o in un forno caldo ed evitare di schiacciarle o tagliarle, per prevenire il rischio di esplosioni.
- Non sottoporre il prodotto a temperature estremamente alte, come quelle causate dal fuoco o da un forno: possono verificarsi esplosioni o perdite di liquidi o gas infiammabili.
- Non sottoporre il prodotto a contenitori riscaldati, lavatrici o contenitori in pressione.
- Smaltire le batterie usate seguendo le istruzioni.
- Non utilizzare il dispositivo in ambienti in cui possono essere presenti bambini.

## **Prevenzione degli incendi**

- Non posizionare fiamme libere, come candele accese, sopra il dispositivo.
- Per il dispositivo con aperture di ventilazione, non ostruire tali aperture coprendole con oggetti come giornali, tovaglie o tende. Le aperture non devono essere mai ostruite posizionando il dispositivo su letti, divani, tappeti o superfici simili.

## **Alimentazione**

- Verificare che la spina sia correttamente inserita nella presa di corrente.
- **NON** collegare più dispositivi allo stesso alimentatore per evitare rischi di surriscaldamento o di incendio da sovraccarico.
- Il simbolo + indica il terminale positivo dell'apparecchiatura alimentata o che genera corrente continua. Il simbolo - indica il terminale negativo dell'apparecchiatura alimentata o che genera corrente continua.

## **Installazione**

- Installare il dispositivo seguendo le istruzioni nel presente manuale.
- Per evitare il rischio di lesioni personali, questo dispositivo deve essere fissato saldamente alla superficie di installazione, come indicato nelle relative istruzioni.
- Non posizionare mai l'apparecchio in una posizione instabile. L'apparecchio potrebbe cadere, causando lesioni personali gravi e anche mortali.

## **Sicurezza del sistema**

- L'utente ha la responsabilità di configurare tutte le password e le altre impostazioni di sicurezza relative al dispositivo e di conservare nome utente e password in modo sicuro.

## **Manutenzione**

- Se il prodotto non funziona correttamente, rivolgersi al rivenditore o al centro di assistenza più vicino. Decliniamo qualsiasi responsabilità in relazione a problemi causati da interventi di riparazione o manutenzione non autorizzati.
- Se necessario, pulire delicatamente il dispositivo con un panno pulito imbevuto di una piccola quantità di alcool etilico.
- Se il dispositivo viene utilizzato in un modo non approvato dal produttore la garanzia potrebbe essere annullata.

- Per realizzare il cablaggio in autonomia, selezionare i fili di alimentazione in base ai parametri elettrici indicati sull'etichetta del dispositivo. Spellare i fili nei punti opportuni utilizzando un normale spellacavi. Per evitare conseguenze gravi, la lunghezza dei fili spellati deve essere adeguata e i conduttori non devono risultare scoperti.

#### **Ambiente di utilizzo**

- Verificare che l'ambiente di utilizzo sia conforme ai requisiti del dispositivo. La temperatura operativa deve essere compresa tra -20 °C e 50 °C e l'umidità non deve superare il 90% UR.
- NON orientare l'obiettivo verso il sole o altre luci intense.
- NON esporre il dispositivo a radiazioni elettromagnetiche intense.

#### **Emergenza**

- Controllare che l'alimentazione sia interrotta, prima di cablare, installare o disassemblare il dispositivo.
- Se il dispositivo emette fumo, odori o rumori, spegnerlo immediatamente e scollegare il cavo di alimentazione, quindi rivolgersi a un centro di assistenza.

#### **Sincronizzazione dell'ora**

- Se l'ora locale non è sincronizzata con quella della rete, impostare l'ora del dispositivo manualmente al primo accesso. Accedere al dispositivo tramite un browser web o un software client e passare all'interfaccia delle impostazioni dell'ora.

#### **Indirizzo del produttore**

Stanza 313, unità B, edificio 2, via Danfeng 399, subdistretto Xixing, distretto Binjiang, Hangzhou, Zhejiang, 310052, Cina  
Hangzhou Microimage Software Co., Ltd.

**AVVISO SULLA CONFORMITÀ:** i prodotti termografici potrebbero essere soggetti a controlli sulle esportazioni in vari Paesi o regioni, tra cui Stati Uniti, Unione europea, Regno Unito e/o altri Paesi membri dell'accordo di Wassenaar. Consultare un legale o un esperto di conformità o le autorità governative locali per eventuali requisiti di licenza di esportazione necessari se si intende trasferire, esportare, riesportare i prodotti termografici tra diversi Paesi.

**i** A aparência do produto serve apenas de referência e pode ser diferente do produto real.

## 1 Introdução

### 1.1 Descrição geral

A câmara tipo box de rede termográfica (doravante referida como o “dispositivo”) integra vigilância remota pela internet, servidor de vídeo e funções de medição da temperatura em tempo real.

A transmissão remota, a pré-visualização e a configuração podem ser feitas por intermédio de navegadores e de clientes. É principalmente aplicada em cenários de termografia industrial, integração à prova de explosão, integração robótica, etc.

### 2 Descrição do aspeto

#### 2.1 Descrição geral da câmara (Página 1, 2 – A)

O aspeto pode variar consoante os modelos. Tenha o produto real como referência.

N.º	Componente	Descrição
1	Lente térmica	Mostra a imagem termográfica.
2	Orifício roscado M3	Para instalar o parafuso.
3	Indicador de rede	<ul style="list-style-type: none"> <li>Intermitente: Transmitir dados de rede.</li> <li>Fixo: A rede está ligada, mas não há transmissão de dados.</li> </ul>
4	Entrada Type-C USB	Transfira dados com um cabo de USB-C para USB-A.
5	Botão de reinicialização	Prima o botão de reposição e, em seguida, ligue a fonte de alimentação. Mantenha o botão de reposição premido durante 10 segundos e solte o botão, o dispositivo vai

		restaurar as definições de fábrica.
6	Tomada de terminal	Contém 12 conetores com pinos.
7	Indicador de alimentação	<ul style="list-style-type: none"> <li>Verde fixo: Dispositivo a funcionar.</li> <li>Vermelho fixo: Dispositivo a iniciar.</li> </ul>
8	Interface de rede	RJ-45, comunicação de rede.
9	Cabo de rede	Quando ligar o cabo à porta de rede, aperte os parafusos no cabo para o fixar.
10	Bloco de terminais	Insira o bloco de terminais na tomada de terminal e junte os cabos tendo como referência a definição de pino.

#### 2.2 Definição de pino (Página 2 – B)

N.º	Sinal	Descrição
1	Alimentação	Entrada de alimentação CC 10~30 V.
2	GND	
3	UART_R	Comunicação em série UART, para depuração do dispositivo.
4	UART_T	
5	UART_P	
6	AL_IN	1 entrada de alarme; 1 saída de alarme. A fonte de alimentação externa para a saída de alarme deve ser < CC 60 V, 1,3 A.
7	AL_OUTA	
8	AL_OUTB	
9	RS-485+	

10	RS-485-	Comunicação de série RS-485.
11	GND	Saída analógica de vídeo local.
12	CVBS	

### 3 Ativar e aceder à câmara de rede

Visite [www.hikmicrotech.com](http://www.hikmicrotech.com) para transferir e instalar o HIKMICRO Studio. Consulte o manual do utilizador do dispositivo para obter informações detalhadas sobre o funcionamento.

### 4 Instalação (Página 3 – C)

 Perigo:

- De modo a garantir a segurança do pessoal e do dispositivo, desligue toda a corrente durante os processos para instalar, ligar e desligar o dispositivo.
- Certifique-se de que o dispositivo tem uma ligação de terra.
- O dispositivo não é à prova de água. Não exponha o dispositivo à luz solar direta nem instale o dispositivo de forma independente em ambientes ao ar livre.

#### 4.1 Instalar nos suportes (Página 3 – C.1)

**Nota.** A placa do adaptador e o parafuso UNC 1/4-20 na ilustração abaixo não são fornecidos com o dispositivo. Escolha se pretende preparar a placa do adaptador e o parafuso UNC 1/4-20 com base na aplicação real.

#### **Passos:**

1. Utilize os parafusos M3 × 6 (①) na embalagem para fixar a placa do adaptador (②) ao dispositivo.
2. Instale o dispositivo com um parafuso UNC 1/4-20 (③).

#### 4.2 Instalar diretamente (Página 3 – C.2)

Quando instalar o dispositivo diretamente na superfície de montagem, pode rodar o parafuso M3 (⑤) no orifício roscado M3 (④) profundidade: 2,5 mm) para fixar o dispositivo à superfície de montagem.

### 5 Design à prova de água (Página 4 – D)

Quando integrar o dispositivo, pode escolher um método de design à prova de água com base no aspeto real do seu dispositivo.

- Para o dispositivo do modelo I, consulte a página 4 – D.1 e utilize o anel vedante com

a forma O (①) para o design à prova de água.

- Para o dispositivo do modelo II, consulte a página 4 – D.2 e utilize o anel vedante (②) para o design à prova de água.

### 6 Mais operações (Página 4 – E)

Leia o código QR para obter o manual do utilizador e aceder a mais operações.

#### Conformidade regulamentar e informações relacionadas com a segurança

Leia atentamente todas as informações e instruções presentes neste documento antes de utilizar o dispositivo e guarde-o para futura consulta.

Para mais informações e instruções relativas ao dispositivo, visite o nosso website em <https://www.hikmicrotech.com>. Também pode consultar outros documentos (se existentes) que acompanhem o dispositivo, ou fazer a leitura do código QR (se existente) na embalagem para obter mais informações.

#### EXCLUSÃO DE RESPONSABILIDADE LEGAL

NA MEDIDA MÁXIMA PERMITIDA PELA LEI APLICÁVEL, ESTE MANUAL E O PRODUTO DESCRITO, COM O SEU HARDWARE, SOFTWARE E FIRMWARE, SÃO FORNECIDOS "TAL COMO ESTÃO" E "COM TODAS AS SUAS FALHAS E ERROS". A HIKMICRO NÃO APRESENTA QUAISQUER GARANTIAS, EXPRESSAS OU IMPLÍCITAS, INCLUINDO, SEM QUAISQUER LIMITAÇÕES, GARANTIAS DE COMERCIALIZAÇÃO, QUALIDADE SATISFATÓRIA OU ADEQUAÇÃO A UM DETERMINADO FIM. A SUA UTILIZAÇÃO DESTE PRODUTO É FEITA POR SUA CONTA E RISCO. EM NENHUMA CIRCUNSTÂNCIA, A HIKMICRO SERÁ RESPONSÁVEL POR SI EM RELAÇÃO A QUAISQUER DANOS ESPECIAIS, CONSEQUENCIAIS, INCIDENTAIS OU INDIRETOS, INCLUINDO, ENTRE OUTROS, DANOS PELA PERDA DE LUCROS COMERCIAIS, INTERRUPÇÃO DA ATIVIDADE, PERDA DE DADOS, CORRUPÇÃO DE SISTEMAS OU PERDA DE DOCUMENTAÇÃO SEJA COM BASE NUMA VIOLAÇÃO DO CONTRATO, ATOS ILÍCITOS (INCLUÍDO NEGLIGÊNCIA), RESPONSABILIDADE PELO PRODUTO OU, DE OUTRO MODO, RELACIONADA COM A UTILIZAÇÃO DO PRODUTO, AINDA QUE A HIKMICRO TENHA SIDO AVISADA SOBRE A POSSIBILIDADE DE TAIS DANOS OU PERDAS.

O UTILIZADOR RECONHECE QUE A NATUREZA DA INTERNET OFERECE RISCOS DE SEGURANÇA INERENTES E QUE A HIKMICRO NÃO SERÁ RESPONSABILIZADA POR UM FUNCIONAMENTO ANORMAL, PERDA DE PRIVACIDADE OU OUTROS DANOS RESULTANTES DE ATAQUES INFORMÁTICOS, ATAQUES DE PIRATARIA, INFEÇÃO POR VÍRUS OU OUTROS RISCOS ASSOCIADOS À SEGURANÇA DA INTERNET. NO ENTANTO, A HIKMICRO PRESTARÁ APOIO TÉCNICO ATEMPADO, SE SOLICITADO.


O UTILIZADOR ACEITA UTILIZAR ESTE PRODUTO EM CONFORMIDADE COM TODAS AS LEIS APLICÁVEIS E SER O ÚNICO RESPONSÁVEL POR GARANTIR QUE A SUA UTILIZAÇÃO É CONFORME À LEI APLICÁVEL. PARTICULARMENTE, O UTILIZADOR É O RESPONSÁVEL PELA UTILIZAÇÃO DESTA PRODUTO DE MODO QUE NÃO INFRINJA OS DIREITOS DE TERCEIROS, INCLUINDO, ENTRE OUTROS, OS DIREITOS DE PUBLICIDADE, DIREITOS DE PROPRIEDADE INTELECTUAL OU DE PROTEÇÃO DE DADOS, OU QUAISQUER OUTROS DIREITOS DE PRIVACIDADE. O UTILIZADOR NÃO PODERÁ UTILIZAR ESTE PRODUTO PARA QUAISQUER UTILIZAÇÕES FINAIS PROIBIDAS, INCLUINDO O DESENVOLVIMENTO OU PRODUÇÃO DE ARMAS DE DESTRUÇÃO MACIÇA, DESENVOLVIMENTO OU PRODUÇÃO DE QUÍMICOS OU ARMAS BIOLÓGICAS, QUAISQUER ATIVIDADES DESENVOLVIDAS NO ÂMBITO DE EXPLOSIVOS NUCLEARES OU CICLOS DE COMBUSTÍVEL NUCLEAR INSEGURO OU PARA APOIAR ABUSOS AOS DIREITOS HUMANOS.

NA EVENTUALIDADE DA OCORRÊNCIA DE ALGUM CONFLITO ENTRE ESTE MANUAL E A LEGISLAÇÃO APLICÁVEL, ESTA ÚLTIMA PREVALECE.

### **Informações sobre as normas reguladoras**

**Aos presentes cláusulas aplicam-se apenas aos produtos que apresentam a marcação ou informação correspondentes.**

### **Declaração de conformidade da UE**

 Este produto e, se aplicável, os acessórios fornecidos com o mesmo, têm a marcação "CE" e estão, por isso, em conformidade com as normas europeias harmonizadas aplicáveis, indicadas na

Diretiva 2014/30/UE (CEM) e Diretiva 2011/65/UE (RoHS).

Nota: Os produtos com uma tensão de entrada situada entre 50 e 1000 V CA ou entre 75 e 1500 V CC estão em conformidade com a diretiva 2014/35/UE (LVD) e os restantes produtos estão em conformidade com a diretiva 2001/95/CE (GPSD). Verifique a informação da fonte de alimentação específica para referência.

Aviso: Este é um produto de classe A. Num ambiente doméstico, este produto poderá causar interferências radioelétricas; nesse caso, pode ser necessário que o utilizador tome as medidas adequadas.



Diretiva 2012/19/UE (Diretiva REEE): Os produtos com este símbolo não podem ser eliminados como resíduos urbanos indiferenciados na

União Europeia. Para uma reciclagem adequada, devolva este produto ao seu fornecedor local quando adquirir um novo equipamento equivalente ou elimine-o através dos pontos de recolha adequados. Para mais informações, consulte: [www.recyclethis.info](http://www.recyclethis.info).



Regulamento (UE) 2023/1542 (relativo às baterias): Este produto contém uma bateria e está em conformidade com o Regulamento (UE) 2023/1542. A bateria não pode ser



eliminada como resíduo urbano indiferenciado na União Europeia. Consulte a documentação do produto para obter informações específicas acerca da bateria. A bateria está marcada com este símbolo, que poderá incluir inscrições para indicar a presença de cádmio (Cd) ou chumbo (Pb). Para reciclar o produto de forma adequada, devolva a bateria ao seu fornecedor ou coloque-a num ponto de recolha apropriado. Para mais informações, consulte: [www.recyclethis.info](http://www.recyclethis.info).

### **Instruções de segurança**

Estas instruções destinam-se a garantir que o utilizador possa utilizar o produto corretamente para evitar perigos ou perdas materiais. Antes da utilização, leia

atentamente todas as informações relacionadas com a segurança.

### **Legislação e regulamentos**

O dispositivo deve ser utilizado em conformidade com as leis, regulamentos de segurança elétrica e regulamentos de prevenção de incêndios locais.

### **Transporte**

- Mantenha o dispositivo na embalagem original ou similar, quando o transportar.
- Não deixe o produto cair, nem o sujeite a impactos físicos. Mantenha o dispositivo longe de interferências magnéticas.

### **Segurança elétrica**

- **ADVERTÊNCIA:** Se for possível substituir o fusível do dispositivo, substitua-o apenas por outro do mesmo modelo para reduzir o risco de incêndio ou de choque elétrico.
- Se um fusível estiver ligado ao fio neutro e ocorrer um polo duplo/fusível neutro, partes do dispositivo que continuam com tensão podem representar um perigo durante a assistência, após o funcionamento do fusível.
- O dispositivo deve ser ligado a uma tomada da rede elétrica com terra.
- A tomada deverá estar instalada perto do equipamento e ser facilmente acessível.
- Não toque nos componentes desprotegidos (tais como os contactos metálicos das entradas) e aguarde pelo menos 5 minutos, uma vez que a eletricidade pode ainda manter-se depois de desligar o disjuntor.
- Se o dispositivo for alimentado por terminais ligados a um cabo elétrico, certifique-se de que os terminais possuem uma tensão e cablagem corretas para ligação a uma fonte de alimentação.
- Durante a utilização do produto, o utilizador tem de estar em estrita conformidade com as normas de segurança elétrica do país e região.
- O dispositivo não deverá ser exposto a derrames ou salpicos de água e nenhum objeto que contenha líquidos, como vasos, deverá ser colocado sobre o dispositivo.

### **Bateria**

Aviso:

- **ADVERTÊNCIA:** Existe risco de explosão se a bateria for substituída por outra de tipo incorreto.
- A substituição incorreta da bateria por outra

de tipo incorreto pode destruir uma proteção (por exemplo, no caso de alguns tipos de bateria de lítio).

- Não proceda à eliminação da bateria numa fogueira ou forno quente, ou mediante esmagamento ou corte mecânico da mesma pois tal pode resultar numa explosão.
- Não submeta o produto a um ambiente de temperatura extremamente elevada, como o fogo ou um forno de aquecimento, que pode provocar uma explosão ou a fuga de líquidos ou gases inflamáveis.
- Não sujeite o produto a recipientes aquecidos, máquinas de lavar roupa ou recipientes sob pressão.
- Elimine pilhas/baterias usadas de acordo com as instruções.
- Este equipamento não se adequa a utilização em locais onde a presença de crianças seja provável.

### **Prevenção de incêndios**

- Não deverão ser colocadas fontes de chama livre, como velas acesas, sobre o dispositivo.
- Para o dispositivo com aberturas de ventilação, as aberturas de ventilação não devem ser impedidas ao tapar as aberturas de ventilação com artigos, tais como jornais, toalhas de mesa e cortinas. Não bloqueie as aberturas colocando o dispositivo numa cama, sofá, tapete ou outra superfície semelhante.

### **Alimentação elétrica**

- Certifique-se de que a ficha está devidamente ligada à tomada.
- NÃO ligue vários dispositivos a um adaptador de energia, para evitar o superaquecimento de riscos de incêndio provocados por sobrecarga.
- + identifica o terminal positivo do equipamento com o qual é utilizada ou gera corrente direta. - identifica o terminal negativo do equipamento com o qual é utilizada ou gera corrente direta.

### **Instalação**

- Instale o dispositivo de acordo com as instruções neste manual.
- Para evitar a ocorrência de lesões, este dispositivo deve ser corretamente fixado na superfície da instalação em conformidade com as instruções de instalação.
- Nunca coloque o equipamento num local

instável. O equipamento pode cair e causar lesões corporais graves ou morte.

### **Segurança do sistema**

- Por favor, tenha em consideração que a configuração das palavras-passe e de outras definições de segurança do dispositivo são da sua responsabilidade, assim como o guardar do seu nome de utilizador e da sua palavra-passe.

### **Manutenção**

- Se o produto não funcionar corretamente, contacte o seu fornecedor ou o seu centro de assistência mais próximo. Não assumimos qualquer responsabilidade por problemas causados por reparações ou manutenções não autorizadas.

- Limpe o dispositivo suavemente com um pano limpo e uma pequena quantidade de etanol, se necessário.

- Se o equipamento for utilizado de uma forma não especificada pelo fabricante, a proteção providenciada pelo dispositivo poderá ser afetada.

- Se necessitar de ligar sozinho o dispositivo, selecione o fio correspondente à alimentação elétrica, de acordo com os parâmetros elétricos indicados no dispositivo. Descarne o fio com um descarnador de cabos padrão na posição correspondente. Para evitar consequências graves, o comprimento do fio descarnado deve ser adequado e os condutores não devem ficar expostos.

### **Ambiente da utilização**

- Certifique-se de que o ambiente de funcionamento do dispositivo cumpre os requisitos do mesmo. A temperatura de funcionamento deve situar-se entre -20 °C e 50 °C e a humidade de funcionamento deve ser inferior a 90% de HR.

- NÃO direcione a lente para o sol nem para qualquer outra luz brilhante.

- NÃO exponha o dispositivo a radiação eletromagnética elevada.

### **Emergência**

- Certifique-se de que a alimentação está desligada antes de instalar ou desmontar o dispositivo, assim como antes de ligar cabos ao mesmo.

- Caso o dispositivo emita fumo, odores ou ruídos, desligue a alimentação elétrica de imediato, retire o cabo de alimentação da

tomada e contacte o centro de assistência.

### **Sincronização da hora**

- Se a hora local não estiver sincronizada com a da rede, configure a hora do dispositivo manualmente quando o utilizar pela primeira vez. Aceda ao dispositivo através do browser/software de cliente e visite a interface das definições de hora.

### **Endereço do fabricante**

Sala 313, Unidade B, Edifício 2, Rua Danfeng 399, Subdistrito Xixing, Distrito Binjiang, Hangzhou, Zhejiang 310052, China  
Hangzhou Microimage Software Co., Ltd.

AVISO DE CONFORMIDADE: Os produtos da série térmica poderão estar sujeitos a controlos de exportação em vários países ou regiões, incluindo sem limite, os Estados Unidos da América, a União Europeia, o Reino Unido e/ou outros países-membro do Acordo de Wassenaar. Consulte o seu especialista em legislação ou em conformidade ou as autoridades locais para saber os requisitos de licença de exportação necessários se pretender transferir, exportar, voltar a exportar os produtos da série térmica entre países diferentes.

**i** Het uiterlijk van het product is alleen bedoeld als referentie en kan verschillen van het werkelijke product.

## 1 Inleiding

### 1.1 Overzicht

De thermografische netwerkboxcamera (hierna "apparaat" genoemd) integreert functies zoals internetbewaking op afstand, videoserver en temperatuurmeting in real time.

Overdracht, preview en configuratie op afstand kunnen worden gerealiseerd via browsers en klanten. De camera wordt voornamelijk toegepast in industriële thermografie, explosie veilige integratie, robotintegratie, enz.

## 2 Beschrijving van het model

### 2.1 Cameraoverzicht (pagina 1, 2 – A)

Het uiterlijk kan per model variëren. Houd het eigenlijke product aan als referentie.

Nr.	Component	Omschrijving
1	Thermische lens	Het thermische beeld weergeven.
2	M3-draadgat	De schroeven installeren.
3	Netwerkindicator	<ul style="list-style-type: none"> <li>Knipperen: Netwerkgegevens verzenden.</li> <li>Brandt: Het netwerk is aangesloten en zonder gegevensoverdracht.</li> </ul>
4	USB Type-C-aansluiting	Verzend gegevens met een USB-C-naar-USB-A-kabel.
5	Resetknop	Druk op de resetknop en

		sluit vervolgens de voeding aan. Houd de resetknop 10 s ingedrukt en laat deze los om de fabrieksinstellingen op het apparaat terug te zetten.
6	Aansluitingsbus	Voor aansluiting van 12-pins connectoren.
7	Aan/uit-indicator	<ul style="list-style-type: none"> <li>Continu groen: Apparaat in bedrijf.</li> <li>Constant rood: Apparaat start.</li> </ul>
8	Netwerkinterface	RJ-45, netwerkcommunicatie.
9	Netwerkkabel	Wanneer u de kabel op de netwerkpoort aansluit, draait u de schroeven op de kabel aan om deze vast te zetten.
10	Klemmenblok	Steek het klemmenblok in de aansluitingsbus en verbind de draden aan de hand van

		de pindefinitie.
--	--	---------------------

## 2.2 Pindefinitie (pagina 2 – B)

Nr.	Signaal	Omschrijving
1	Voeding	DC-stroomingang van 10~30 V.
2	GND	
3	UART_R	UART seriële communicatie, voor foutopsporing op het apparaat.
4	UART_T	
5	UART_P	
6	AL_IN	1 alarmingang en 1 alarmuitgang. De externe voeding voor de alarmuitgang moet < DC 60 V, 1,3 A zijn.
7	AL_OUTA	
8	AL_OUTB	
9	RS-485+	RS-485 seriële communicatie.
10	RS-485-	
11	GND	Analoge uitgang van lokale video.
12	CVBS	

### 3 Netwerkkamera activeren en toegang krijgen

Bezoek [www.hikmicrotech.com](http://www.hikmicrotech.com) voor het downloaden en installeren van HIKMICRO Studio. Raadpleeg de handleiding van het apparaat voor details over de bediening.

### 4 Installatie (pagina 3 – C)

 Gevaar:

- Sluit alle stroom af bij het installeren, aansluiten of loskoppelen van het apparaat om de veiligheid van het personeel en het apparaat te garanderen.
- Controleer of het apparaat correct is geaard.
- Het apparaat is niet waterbestendig. Stel het apparaat niet bloot aan direct zonlicht en installeer het apparaat niet zelfstandig in een buitenomgeving.

#### 4.1 De beugels installeren (pagina 3 – C.1)

**Opmerking.** Het adapterbord en de 1/4-20 UNC-schroef in de onderstaande afbeelding worden niet meegeleverd met het apparaat. Kies of u het adapterbord en de 1/4-20 UNC-schroef wilt voorbereiden op basis van de werkelijke toepassing.

**Stappen:**

1. Gebruik de M3 × 6 schroeven (①) in het pakket om het adapterbord (②) op het apparaat te bevestigen.

2. Installeer het apparaat met een 1/4-20 UNC-schroef (③).

#### 4.2 Direct installeren (pagina 3 – C.2)

Wanneer u het apparaat direct op het montageoppervlak installeert, kunt u de M3-schroef (⑤) in het M3-draadgat draaien (④) diepte: 2,5 mm) om het apparaat vast te zetten op het montageoppervlak.

#### 5 Waterdicht ontwerp (pagina 4 – D)

Wanneer u het apparaat integreert, kunt u een waterdichte ontwerpmethode kiezen op basis van het werkelijke uiterlijke van uw apparaat.

- Voor apparaatmodel I raadpleegt u pagina 4 – D.1 en gebruikt u de O-vormige afdichtingsring (①) voor het waterdichte ontwerp.
- Voor apparaatmodel II raadpleegt u pagina 4 – D.2 en gebruikt u afdichtingsring (②) het waterdichte ontwerp.

#### 6 Meer handelingen (pagina 4 – E)

Scan de QR-code om de gebruikershandleiding te verkrijgen voor meer handelingen.

#### Informatie over naleving van regelgeving en veiligheid

Lees alle informatie en instructies in dit document aandachtig door voordat u het apparaat gebruikt en bewaar deze om ze later te kunnen raadplegen.

Voor meer informatie en instructies, bezoekt u onze website op <https://www.hikmicrotech.com>. U kunt ook andere documenten (als die er zijn) die bij het apparaat zijn geleverd, raadplegen of u kunt de QR-code (als die er is) op de verpakking scannen om meer informatie te verkrijgen.

#### JURIDISCHE DISCLAIMER

VOOR ZOVER MAXIMAAL TOEGESTAAN OP GROND VAN HET TOEPASSELIJK RECHT, WORDEN DEZE HANDLEIDING EN HET OMSCHREVEN PRODUCT, INCLUSIEF HARDWARE, SOFTWARE EN FIRMWARE, GELEVERD 'ZOALS ZE ZIJN', INCLUSIEF 'FOUTEN EN GEBREKEN'. HIKMICRO GEEFT GEEN GARANTIES, EXPLICIET OF IMPLICIET, WAARONDER ZONDER BEPERKING, VERKOOPBAARHEID, BEVREDIGENDE


KWALITEIT OF GESCHIKTHEID VOOR EEN BEPAALD DOEL. HET GEBRUIK VAN HET PRODUCT DOOR U IS OP EIGEN RISICO. IN GEEN GEVAL IS HIKMICRO VERANTWOORDELIJK VOOR SPECIALE, BIJKOMENDE, INCIDENTELE OF INDIRECTE SCHADE, WAARONDER, ONDER ANDERE, SCHADE VAN VERLIES AAN ZAKELIJKE WINST, ZAKELIJKE ONDERBREKING OF VERLIES VAN GEGEVENS, CORRUPTIE OF SYSTEMEN, OF VERLIES VAN DOCUMENTATIE, ONGEACHT OF DIT VOORTVLOEIT UIT CONTRACTBREUK, BENADELING (INCLUSIEF NALATIGHEID), PRODUCTAANSPRAKELIJKHEID OF ANDERS, MET BETREKKING TOT HET PRODUCT, ZELFS ALS HIKMICRO OP DE HOOGTE IS GEBRACHT VAN ZULKE SCHADE OF VERLIES. U ERKENT DAT DE AARD VAN HET INTERNET INHERENTE VEILIGHEIDSRISICO'S INHOUDT EN DAT HIKMICRO GEEN ENKELE VERANTWOORDELIJKHEID AANVAARDT VOOR ABNORMALE WERKING, HET UITLEKKEN VAN PERSOONLIJKE GEGEVENS OF ANDERE SCHADE ALS GEVOLG VAN CYBERAANVALLEN, HACKERAANVALLEN, VIRUSBESMETTINGEN OF ANDERE BEVEILIGINGSRISICO'S OP HET INTERNET; INDIEN NODIG VOORZIET HIKMICRO IN TIJDIGE TECHNISCHE ONDERSTEUNING. U GAAT AKKOORD MET HET GEBRUIK VAN DIT PRODUCT IN OVEREENSTEMMING MET ALLE TOEPASBARE WETTEN EN UITSLUITEND U BENT VERANTWOORDELIJK VOOR DE GARANTIE DAT UW GEBRUIK OVEREENSTEMT MET DE TOEPASBARE WET. U BENT VOORAL VERANTWOORDELIJK DAT HET GEBRUIK VAN DIT PRODUCT GEEN INBREUK MAAKT OP DE RECHTEN VAN DERDEN, INCLUSIEF EN ZONDER BEPERKING DE RECHTEN VAN PUBLICITEIT, INTELLECTUEEL EIGENDOM, OF GEGEVENSBECHERMING EN ANDERE PRIVACYRECHTEN. U MAG DIT PRODUCT NIET GEBRUIKEN VOOR ENIGE ONWETTIG EINDGEBRUIK, MET INBEGRIJF VAN DE ONTWIKKELING OF DE PRODUCTIE VAN MASSAVERNIEGINGSWAPENS, DE ONTWIKKELING OF DE PRODUCTIE VAN CHEMISCHE OF BIOLOGISCHE WAPENS, ALLE ACTIVITEITEN IN HET KADER VAN EVENTUELE NUCLEAIRE EXPLOESIEVEN OF ONVEILIGE NUCLEAIRE BRANDSTOF CYCLUS,

OF TER ONDERSTEUNING VAN MENSENRECHTENSCHENDINGEN. IN HET GEVAL VAN ENIGE CONFLICTEN TUSSEN DEZE HANDLEIDING EN DE TOEPASSELIJKE WETGEVING, PREVALEERT DE LAATSTE.

### **Informatie met betrekking tot regelgeving**

**Deze clausules zijn alleen van toepassing op de producten die de overeenkomende markering of informatie dragen.**

### **Nalevingsverklaring EU**

 Dit product en - indien van toepassing - ook de meegeleverde accessoires zijn gemarkeerd met „CE” en voldoen daarom aan de toepasselijke geharmoniseerde Europese normen vermeld onder de Richtlijn 2014/30/EU (EMCD) en Richtlijn 2011/65/EU (RoHS).

Opmerking: De producten met een ingangsspanning van 50 tot 1000 VAC of 75 tot 1500 VDC voldoen aan de Richtlijn 2014/35/EU (LVD), en de restproducten voldoen aan de Richtlijn 2001/95/EG (GPSD). Bekijk de specifieke informatie over de voeding ter referentie.

Waarschuwing: Dit is een product van klasse A. Dit product kan in een huishoudelijke omgeving radiostoring veroorzaken, in welk geval de gebruiker gepaste maatregelen moet treffen.



Richtlijn 2012/19/EU (WEEE-richtlijn): Producten die met dit symbool zijn gemarkeerd mogen binnen de Europese Unie niet

worden weggegooid als ongesorteerd huishoudelijk afval. Lever dit product voor een juiste recycling in bij uw plaatselijke leverancier bij aankoop van soortgelijke nieuwe apparatuur, of breng het naar daarvoor aangewezen inzamelpunten. Zie voor meer informatie: [www.recyclethis.info](http://www.recyclethis.info).



Verordening (EU) 2023/1542 (batterijverordening): Dit product bevat een batterij en is in overeenstemming met Verordening (EU) 2023/1542.



De batterij mag binnen de Europese Unie niet worden weggegooid als ongesorteerd huishoudelijk afval. Zie de productdocumentatie voor specifieke

informatie over de batterij. De batterij is gemarkeerd met dit symbool, dat letters kan bevatten die cadmium (Cd) of lood (Pb) aanduiden. Lever de batterij voor een juiste recycling in bij uw leverancier of bij een daarvoor aangewezen inzamelpunt. Raadpleeg voor meer informatie: [www.recyclethis.info](http://www.recyclethis.info).

## **Veiligheidsinstructies**

Deze instructies zijn bedoeld om te verzekeren dat de gebruiker het product juist kan gebruiken om gevaar of verlies van eigendommen te vermijden. Lees alle veiligheidsinformatie aandachtig door vóór het gebruik.

### **Wet- en regelgeving**

Het apparaat moet worden gebruikt in overeenstemming met lokale wetgeving, elektrische veiligheidsvoorschriften en voorschriften voor brandpreventie.

### **Transport**

- Bewaar het apparaat in de originele of soortgelijke verpakking tijdens vervoer.
- Laat het product niet vallen en stel het apparaat niet bloot aan schokken. Houd het apparaat uit de buurt van magnetische interferentie.

### **Elektrische veiligheid**

- LET OP: Als de zekering van het apparaat kan worden vervangen, vervang deze dan alleen door hetzelfde model om het risico op elektrische schokken te verminderen.
- Als een zekering is aangesloten op de neutrale draad en er een smelting (bij dubbelpolige/neutrale zekering) optreedt, kunnen delen van het apparaat die onder spanning blijven staan gevaar opleveren tijdens onderhoud na de bediening van de zekering.
- Het apparaat moet worden aangesloten op een geaard stopcontact.
- Het stopcontact moet in de buurt van de apparatuur worden geïnstalleerd en eenvoudig toegankelijk zijn.
- Raak de blootgestelde componenten (zoals metalen contacten van de ingangen) niet aan en wacht ten minste 5 minuten, omdat er nog elektriciteit aanwezig kan zijn nadat het apparaat uitgeschakeld.
- Als het apparaat stroom krijgt via de klemmen die zijn aangesloten op de

voedingskabel, moet u zorgen voor de juiste spanning en bekabeling van de klemmen voor aansluiting op een wisselstroomnet.

- U moet zich bij het gebruik van het product strikt houden aan de elektrische veiligheidsvoorschriften van het land en de regio.
- Het apparaat mag niet worden blootgesteld aan druipend of spattend water en er mogen geen met vloeistof gevulde voorwerpen, zoals vazen, op het apparaat worden geplaatst.

### **Batterij**

Waarschuwing:

- LET OP: Er bestaat explosiegevaar wanneer de batterij door een onjuist type wordt vervangen.
- Onjuiste vervanging van de batterij door een onjuist type kan een beveiliging omzeilen (bijvoorbeeld in het geval van sommige typen lithiumbatterijen).
- Gooi de batterij niet in vuur of een hete oven en plet of snij de batterij niet op mechanische wijze, want dat kan een explosie veroorzaken.
- Stel de batterij niet bloot aan extreem hoge temperaturen, zoals vuur of verwarmingsoven, want dat kan een explosie of het lekken van brandbare vloeistof of gas tot gevolg hebben.
- Stel het product niet bloot aan verwarmde vaten, wasmachines of drukvaten.
- Verwijder gebruikte batterijen in overeenstemming met de instructies.
- Deze apparatuur is niet geschikt voor gebruik op locaties waar waarschijnlijk kinderen aanwezig zijn.

### **Brandveiligheid**

- Plaats geen bronnen met open vuur, zoals brandende kaarsen, op het apparaat.
- Bij apparaten met ventilatieopeningen mogen de ventilatieopeningen niet worden belemmerd door het afdekken van de ventilatieopeningen met voorwerpen zoals kranten, tafelkleden en gordijnen. De ventilatieopeningen mogen nooit worden geblokkeerd door het apparaat op een bed, bank, tapijt of een ander soortgelijk oppervlak te plaatsen.

### **Stroomvoorziening**

- Zorg dat de stekker goed in het stopcontact zit.
- Sluit NOOIT meerdere apparaten aan op één voedingsadapter om oververhitting of

brandgevaar door overbelasting te voorkomen.

- + identificeert de positieve aansluiting(en) van apparatuur die wordt gebruikt met gelijkstroom of die dat genereert. - identificeert de negatieve aansluiting(en) van apparatuur die wordt gebruikt met gelijkstroom of die dat genereert.

### **Installatie**

- Installeer het apparaat volgens de instructies in deze handleiding.
- Om letsel te voorkomen, moet dit apparaat veilig op het montagevlak worden vastgezet in overeenstemming met de installatie-instructies.
- Plaats de apparatuur nooit op een onstabiele plaats. De apparatuur kan dan vallen, wat ernstig letsel of de dood tot gevolg kan hebben.

### **Systeembeveiliging**

- Wij vragen uw begrip voor het feit dat u verantwoordelijkheid bent voor het configureren van alle wachtwoorden en andere beveiligingsinstellingen betreffende het apparaat, en bewaar uw gebruikersnaam en wachtwoord.

### **Onderhoud**

- Als het product niet goed werkt, neem dan contact op met uw leverancier of het dichtstbijzijnde servicecentrum. Wij aanvaarden geen verantwoordelijkheid voor problemen die zijn veroorzaakt door ongeautoriseerde reparatie of onderhoud.
- Veeg het apparaat voorzichtig schoon met een schone doek en, indien nodig, een kleine hoeveelheid ethanol.
- Als de apparatuur wordt gebruikt op een manier die niet door de fabrikant is gespecificeerd, kan de bescherming van het apparaat worden aangetast.
- Als u het apparaat zelf moet bedraden, selecteert u de overeenkomende draad om stroom te leveren in overeenstemming met de elektrische parameters die op het apparaatlabel staan. Strip de draad met een standaard draadstripper op de overeenkomende positie. Om ernstige gevolgen te voorkomen, moet de lengte van de strip geschikt zijn en mogen de geleiders niet worden blootgesteld.

### **Gebruiksomgeving**

- Zorg dat de gebruiksomgeving voldoet aan de vereisten van het apparaat. De bedrijfstemperatuur moet -20°C tot 50°C zijn en de bedrijfsvochtigheid moet minder dan 90% RV zijn.
- Richt de lens NIET op de zon of een ander fel licht.
- Stel het apparaat NIET bloot aan hoge elektromagnetische straling.

### **Noodgeval**

- Controleer eerst of de voeding is losgekoppeld voor u het apparaat bekabelt, installeert of demonteert.
- Als er rook, geur of geluid uit het apparaat komt, schakel het dan onmiddellijk uit, haal de stekker van het netsnoer uit het stopcontact en neem contact op met het servicecentrum.

### **Tijdsynchronisatie**

- Stel tijd op het apparaat handmatig in bij de eerste aanmelding, als de lokale tijd niet is gesynchroniseerd met die van het netwerk. Bezoek het apparaat via webbrowser/clientsoftware en ga naar de interface voor tijdsinstellingen.

### **Adres fabrikant**

Kamer 313, Unit B, Gebouw 2, 399 Danfeng Road, subdistrict Xixing, district Binjiang, Hangzhou, Zhejiang 310052, China  
Hangzhou Microimage Software Co., Ltd.

MEDEDELING VAN NALEVING: De producten thermische serie kunnen zijn onderworpen aan exportcontroles in verschillende landen of regio's, inclusief zonder enige beperking de Verenigde Staten, de Europese Unie, het Verenigd Koninkrijk en/of andere lidstaten van de Overeenkomst van Wassenaar. Neem contact op met uw professionele juridische of nalevingsexpert of plaatselijke overheidsinstanties omtrent enige noodzakelijke vereisten voor een exportvergunning als u van plan bent de producten thermische serie te verplaatsen, exporteren of her-exporteren tussen verschillende landen.

**i** Vzhled výrobku slouží pouze jako reference a může se od skutečného výrobku lišit.

## 1 Úvod

### 1.1 Přehled

Síťová termokamera (dále jen „zařízení“) integruje funkce vzdáleného internetového sledování, videoservertu a měření teploty v reálném čase.

Vzdálený přenos, náhled a konfiguraci lze uskutečnit prostřednictvím prohlížečů a klientů. Uplatňuje se především v průmyslové termografii, při integraci do prostředí s nebezpečím výbuchu, při integraci robotů atd.

## 2 Popis vzhledu

### 2.1 Přehled kamery (strana 1, 2 – A)

Vzhled se může u různých modelů lišit. Jako referenci použijte skutečný výrobek.

Č.	Součást	Popis
1	Termoobjektiv	Zobrazí termální snímek.
2	Otvor se závitem M3	Pro montáž šroubu.
3	Indikátor sítě	<ul style="list-style-type: none"> <li>• Blikající: Přenos síťových dat.</li> <li>• Trvalé svícení: Síť je připojena bez datového přenosu.</li> </ul>
4	Zásuvka USB typu C	Přenášejte data pomocí kabelu USB-C na USB-A.
5	Tlačítko resetování	Stiskněte tlačítko reset a připojte napájecí zdroj. Stiskněte a podržte tlačítko resetování po dobu 10 s a poté tlačítko uvolněte a zařízení se obnoví do továrního nastavení.

6	Svorkovnice	Obsahuje 12kolíkové konektory.
7	Kontrolka napájení	<ul style="list-style-type: none"> <li>• Nepřerušovaná zelená: Ovládání zařízení.</li> <li>• Svítí červená: Spuštění zařízení.</li> </ul>
8	Síťové rozhraní	RJ-45, síťová komunikace.
9	Síťový kabel	Při připojování kabelu k síťovému portu utáhněte šrouby na kabelu, abyste jej zajistili.
10	Svorkovnice	Zasuňte svorkovnici do zásuvky a spojte vodiče podle definice kolíků.

### 2.2 Definice kolíků (strana 2 – B)

Č.	Signál	Popis
1	Napájení	Vstupní napětí 10 ~ 30 V DC.
2	GND	
3	UART_R	Sériová komunikace UART pro ladění zařízení.
4	UART_T	
5	UART_P	
6	AL_IN	1 alarmový vstup; 1 alarmový výstup. Externí napájení výstupu alarmu by mělo být < 60 V DC, 1,3 A.
7	AL_OUTA	
8	AL_OUTB	
9	RS-485+	Sériová komunikace RS-485.
10	RS-485-	
11	GND	Analogový výstup místního videa.
12	CVBS	

### 3 Aktivace síťové kamery a přístup k ní

Ke stažení a instalaci aplikace HIMICRO Studio navštivte web [www.hikmicrotech.com](http://www.hikmicrotech.com). Podrobné pokyny naleznete v uživatelské příručce zařízení.

## 4 Instalace (strana 3 - C)

⚠️ Nebezpečí:

- Při instalaci, zapojování nebo odpojování zařízení odpojte veškeré napájení, abyste zajistili bezpečnost personálu a zařízení.
- Ujistěte se, že je zařízení řádně uzemněno.
- Zařízení není voděodolné. Nevystavujte zařízení přímému slunečnímu záření a nainstalujte jej samostatně ve venkovním prostředí.

### 4.1 Instalace do držáků (strana 3 – C.1)

**Poznámka.** Deska adaptéru a šroub 1/4-20 UNC na obrázku níže nejsou součástí dodávky zařízení. Podle aktuálního použití zvolte, zda chcete připravit desku adaptéru a šroub 1/4-20 UNC.

**Kroky:**

1. Použijte 6 šroubů M3 (①) v balení pro připojení desky adaptéru (②) k zařízení.
2. Zařízení namontujte pomocí šroubu 1/4-20 UNC (③).

### 4.2 Přímá instalace (strana 3 – C.2)

Při přímé instalaci zařízení na montážní plochu můžete otočit šroubem M3 (⑤) do otvoru se závitem M3 (④) hloubka: 2,5 mm) pro připojení zařízení k montážnímu povrchu.

## 5 Voděodolné provedení (strana 4 – D)

Při integraci zařízení můžete zvolit způsob voděodolného provedení podle skutečného vzhledu zařízení.

- Pro model I zařízení viz strana 4 – D.1 a použijte těsnicí kroužek ve tvaru O (①) pro voděodolné provedení.
- Pro model II zařízení viz strana 4 – D.2 a použijte těsnicí kroužek (②) pro voděodolné provedení.

## 6 Další operace (strana 4 – E)

Návod k obsluze s dalšími operacemi získáte naskenováním kódu QR.

### Dodržování předpisů a bezpečnostní informace

Před použitím zařízení si pečlivě přečtěte všechny informace a pokyny v tomto dokumentu a dokument uschovejte pro pozdější použití.

Více informací a pokynů k tomuto zařízení najdete na našich webových stránkách <https://www.hikmicrotech.com>. Další informace můžete také získat z ostatních

dokumentů dodaných se zařízením (pokud byly nějaké dodány) nebo naskenováním QR kódu z obalu zařízení (pokud se na něm nějaký kód nachází).

### PRÁVNÍ VYLOUČENÍ ODPOVĚDNOSTI

TATO PŘÍRUČKA A POPISOVANÉ PRODUKTY VČETNĚ PŘÍSLUŠNÉHO HARDWARU, SOFTWARE A FIRMWARE JSOU V MAXIMÁLNÍM ROZSAHU PŘÍPUSTNÉM PODLE ZÁKONA POSKYTOVÁNY „JAK STOJÍ A LEŽÍ“, A „SE VŠEMI VADAMI A CHYBAMI“. SPOLEČNOST HIKMICRO NEPOSKYTUJE ŽÁDNÉ VÝSLOVNÉ ANI PŘEDPOKLÁDANÉ ZÁRUKY ZARUČUJÍCÍ MIMO JINÉ PRODEJNOST, USPOKOJIVOU KVALITU NEBO VHDNOST KE KONKRÉTNÍM ÚČELŮM. POUŽÍVÁNÍ TOHOTO PRODUKTU JE NA VAŠE VLASTNÍ RIZIKO. SPOLEČNOST HIKMICRO V ŽÁDNÉM PŘÍPADĚ NENESE ODPOVĚDNOST ZA JAKÉKOLI ZVLÁŠTNÍ, NÁSLEDNÉ, NÁHODNÉ NEBO NEPŘÍMÉ ŠKODY ZAHRNUTÉ MIMO JINÉ ŠKODY ZE ZTRÁTY OBCHODNÍHO ZISKU, PŘERUŠENÍ OBCHODNÍ ČINNOSTI NEBO ZTRÁTY DAT, POŠKOZENÍ SYSTÉMŮ NEBO ZTRÁTY DOKUMENTACE V SOUVISLOSTI S POUŽÍVÁNÍM TOHOTO VÝROBKU BEZ OHLEDU NA TO, ZDA TAKOVÉ ŠKODY VZNIKLY Z DŮVODU PORUŠENÍ SMLOUVY, OBČANSKOPRÁVNÍHO PŘECHINU (VČETNĚ NEDBALOSTI) ČI ODPOVĚDNOSTI ZA PRODUKT, A TO ANI V PŘÍPADĚ, ŽE SPOLEČNOST HIKMICRO BYLA NA MOŽNOST TAKOVÝCHTO ŠKOD NEBO ZTRÁTY UPOZORNĚNA.

BERETE NA VĚDOMÍ, ŽE INTERNET SVOU PODSTATOU PŘEDSTAVUJE SKRYTÁ BEZPEČNOSTNÍ RIZIKA A SPOLEČNOST HIKMICRO PROTO NEPŘEBÍRÁ ŽÁDNOU ODPOVĚDNOST ZA NESTANDARDNÍ PROVOZNÍ CHOVÁNÍ, ÚNIK OSOBNÍCH ÚDAJŮ NEBO JINÉ ŠKODY VYPLYVAJÍCÍ Z KYBERNETICKÉHO ČI HACKERSKÉHO ÚTOKU, NAPADENÍ VIREM NEBO ŠKODY ZPŮSOBENÉ JINÝMI INTERNETOVÝMI BEZPEČNOSTNÍMI RIZIKY; SPOLEČNOST HIKMICRO VŠAK V PŘÍPADĚ POTŘEBY POSKYTNE VČASNOU TECHNICKOU PODPORU.


SOUHLASÍTE S TÍM, ŽE TENTO PRODUKT BUDE POUŽÍVÁN V SOULADU SE VŠEMI PLATNÝMI ZÁKONY A VÝHRADNĚ ODPOVÍDÁTE ZA ZAJIŠTĚNÍ, ŽE VAŠE UŽÍVÁNÍ BUDE V SOULADU S PLATNOU

LEGISLATIVOU. ODPOVÍDÁTE ZEJMÉNA ZA POUŽÍVÁNÍ PRODUKTU ZPŮSOBEM, KTERÝ NEPORUŠUJE PRÁVA TŘETÍCH STRAN, COŽ ZAHRNUJE MIMO JINÉ PRÁVO NA OCHRANU OSOBNOSTI, PRÁVO DUŠEVNÍHO VLASTNICTVÍ NEBO PRÁVO NA OCHRANU OSOBNÍCH ÚDAJŮ A DALŠÍ PRÁVA NA OCHRANU SOUKROMÍ. TENTO PRODUKT NESMÍTE POUŽÍVAT K JAKÝMKOLI NEDOVOLANÝM KONCOVÝM ÚČELŮM VČETNĚ VÝVOJE ČI VÝROBY ZBRANÍ HROMADNÉHO NIČENÍ, VÝVOJE NEBO VÝROBY CHEMICKÝCH ČI BIOLOGICKÝCH ZBRANÍ NEBO JAKÝCHKOLI ČINNOSTÍ SOUVISEJÍCÍCH S JADERNÝMI VÝBUŠNINAMI NEBO NEBEZPEČNÝM JADERNÝM PALIVOVÝM CYKLEM ČI K PODPOŘE PORUŠOVÁNÍ LIDSKÝCH PRÁV. V PŘÍPADĚ JAKÉHOKOLI ROZPORU MEZI TÍMTO NÁVODEM A PŘÍSLUŠNÝMI ZÁKONY PLATÍ DRUHÉ ZMÍNĚNÉ.

### Zákonné informace

**Tyto části se vztahují pouze k výrobkům nesoucím odpovídající označení nebo informaci.**

### Prohlášení o shodě EU

 Tento výrobek, a případně i dodané příslušenství, jsou označeny štítkem „CE“, což znamená, že vyhovují příslušným harmonizovaným evropským normám uvedeným ve směrnici 2014/30/EU (EMCD) a směrnici 2011/65/EU (RoHS).

Poznámka: Výrobky se vstupním napětím 50 až 1 000 V AC nebo 75 až 1 500 V DC vyhovují směrnici 2014/35/EU (LVD) a ostatní výrobky vyhovují směrnici 2001/95/ES (GPSD). Přečtěte si informace o konkrétním zdroji napájení.

Varování: Jedná se o zařízení třídy A. V domácím prostředí může tento výrobek způsobovat rušení radiového signálu. V takovém případě může být nutné přijmout odpovídající opatření.



Směrnice 2012/19/EU (směrnice WEEE): Výrobky označené tímto symbolem nelze v Evropské unii likvidovat společně s netříděným domovním odpadem. Při zakoupení nového ekvivalentního výrobku tento výrobek řádně zrecykluje vrácením svému místnímu

dodavateli, nebo jej zlikvidujte odevzdáním v určených sběrných místech. Více informací naleznete na webu: [www.recyclethis.info](http://www.recyclethis.info).



Nařízení (EU) 2023/1542 (nařízení o bateriích): Tento výrobek obsahuje baterii a je v souladu s nařízením (EU) 2023/1542. Baterie nelze v Evropské unii likvidovat jako netříděný komunální odpad. Konkrétní informace o baterii naleznete v dokumentaci výrobku. Baterie je označena tímto symbolem, který může obsahovat nápisy označující kadmium (Cd) nebo olovo (Pb). Za účelem řádné recyklace baterii odevzdejte svému dodavateli nebo na určené sběrné místo. Další informace naleznete na adrese: [www.recyclethis.info](http://www.recyclethis.info).

### Bezpečnostní pokyny

Účelem těchto pokynů je zajistit, aby uživatel mohl výrobek správně používat a zabránilo se nebezpečí nebo újmě na majetku. Před použitím si pečlivě přečtěte všechny bezpečnostní pokyny.

### Zákony a předpisy

Zařízení je nutné používat v souladu s místními zákony a předpisy týkajícími se elektrické bezpečnosti a předpisy pro protipožární ochranu.

### Přeprava

- Při přepravě uchovávejte zařízení v původním nebo jemu podobném balení.
- Produkt nevystavujte fyzickým nárazům a zabraňte jeho spadnutí. Udržujte zařízení mimo dosah magnetického rušení.

### Elektrická bezpečnost

- VAROVÁNÍ: Pokud lze pojistku zařízení vyměňovat, vyměňujte ji pouze za pojistku stejného modelu, abyste snížili riziko požáru nebo úrazu elektrickým proudem.
- Pokud je k nulovému vodiči připojena pojistka a dojde k dvojitému pólovému/neutrálnímu jištění, mohou části zařízení, které zůstanou pod napětím, představovat nebezpečí při servisu po činnosti pojistky.
- Zařízení musí být připojeno k uzemněné síťové zásuvce.
- Síťová zásuvka musí být namontována v blízkosti zařízení a musí být snadno

přístupná.

- Nedotýkejte se obnažených součástí (jako jsou kovové kontakty přívodů) a vyčkejte alespoň 5 minut, protože po vypnutí zařízení zde může ještě být elektrický proud.
- Pokud je zařízení napájeno svorkami připojenými k napájecímu kabelu, při připojení k síťovému napájení zkontrolujte správné napětí a správné zapojení svorek.
- Při používání výrobku je nutné přesně dodržovat všechny národní a místní předpisy týkající se elektrické bezpečnosti.
- Zařízení nesmí být vystaveno kapající nebo stříkající vodě a nesmí se na něj pokládat předměty s tekutinami, jako jsou vázy.

### **Baterie**

Varování:

- **VAROVÁNÍ:** Při výměně baterie za nesprávný typ hrozí nebezpečí výbuchu.
- Vyměníte-li baterii za nesprávný typ, může dojít k poškození bezpečnostního prvku (například v případě některých typů lithiových baterií).
- Nevhazujte do ohně, nekládejte do horké trouby, mechanicky ji nedrťte ani neřezejte. Mohlo by dojít k výbuchu.
- Nevystavujte výrobek prostředí s extrémně vysokou teplotou, např. ohni nebo troubě, protože by mohlo dojít k výbuchu nebo úniku hořlavé kapaliny či plynu.
- Nevystavujte výrobek ohřátým nádobám, pračkám ani tlakovým nádobám.
- Použité baterie zlikvidujte podle pokynů.
- Toto zařízení není vhodné pro použití v místech, na kterých se mohou vyskytovat děti.

### **Požární ochrana**

- Na zařízení se nesmí pokládat zdroje otevřeného ohně jako například hořící svíčky.
- U zařízení s ventilačními otvory by ventilační otvory neměly být zablokovány předměty, jako jsou noviny, ubrusy a záclony. Při umístění zařízení na postel, pohovku, polštář nebo jiný podobný povrch nesmí být větrací otvory nikdy zablokované.

### **Napájení**

- Zkontrolujte, zda je zástrčka řádně zapojena do napájecí zásuvky.
- K jednomu napájecímu adaptéru **NEPŘIPOJUJTE** více zařízení, abyste zabránili přehřátí nebo nebezpečí požáru v důsledku

přetížení.

- + označuje kladnou svorku zařízení, která se používá se stejnosměrným proudem nebo jej generuje.
- označuje zápornou svorku zařízení, která se používá se stejnosměrným proudem nebo jej generuje.

### **Montáž**

- Namontujte zařízení podle pokynů v tomto návodu.
- Toto zařízení je třeba v souladu s montážními pokyny bezpečně připevnit k montážnímu povrchu, aby nedošlo ke zranění.
- Zařízení nikdy neumísťujte na nestabilní místo. Zařízení může spadnout a způsobit vážné zranění nebo smrt.

### **Zabezpečení systému**

- Mějte na paměti, že jste odpovědní za konfiguraci všech hesel a dalších nastavení zabezpečení zařízení a uchovejte uživatelské jméno a heslo.

### **Údržba**

- V případě, že výrobek nefunguje správně, obraťte se na prodejce nebo na nejbližší servisní středisko. Nepřebíráme žádnou odpovědnost za problémy způsobené neoprávněnou opravou nebo údržbou.
- V případě potřeby zařízení jemně otřete čistým hadříkem navlhčeným malým množstvím etanolu.
- V případě použití zařízení způsobem jiným než určeným výrobcem může dojít ke zrušení platnosti záruky.
- Pokud je nutné, abyste zařízení zapojili sami, k napájení vyberte odpovídající kabel podle elektrických parametrů na štítku zařízení. Odizolujte kabel v odpovídajícím místě pomocí standardního odizolovací kleští. Délka odizolovaného kabelu musí být dostatečná a vodiče nesmí být vystaveny, aby se zabránilo vážným následkům.

### **Provozní prostředí**

- Zajistěte, aby provozní prostředí vyhovovalo požadavkům zařízení. Provozní teplota musí být -20 °C až 50 °C a provozní relativní vlhkost musí být max. 90 %.
- **NEMÍŘTE** objektivem do slunce ani do jiného zdroje jasného světla.
- **NEVYSTAVUJTE** zařízení silnému elektromagnetickému záření.

### **Stav nouze**

- Před připojením, instalací a demontáží zařízení se ujistěte, že bylo napájení odpojeno.
- Pokud ze zařízení vychází kouř, zápach nebo hluk, zařízení okamžitě vypněte, odpojte napájecí kabel a obraťte se na servisní středisko.

### **Synchronizace času**

- Není-li místní čas synchronizován s časem sítě, nastavte při prvním přístupu čas zařízení ručně. Přejděte prostřednictvím webového prohlížeče nebo klientského softwaru k zařízení a otevřete rozhraní pro nastavení času.

### **Adresa výrobce**

Místnost 313, jednotka B, budova 2, ulice Danfeng 399, podobvod Xixing, obvod Binjiang, Hangzhou, Zhejiang 310052, Čína  
Hangzhou Microimage Software Co., Ltd.

**POZNÁMKA O DODRŽOVÁNÍ PŘEDPISŮ:** Na výrobky termální řady se mohou vztahovat vývozní opatření v různých zemích nebo regionech včetně, mimo jiné, Spojených států, Evropské unie, Spojeného království a dalších členských států Wassenaarského ujednání. Máte-li v úmyslu přenášet, exportovat nebo opětovně exportovat výrobky termální řady mezi různými zeměmi, obraťte se na profesionálního právníka, odborníka v oblasti dodržování předpisů nebo místní úřady, aby vám sdělili všechny nezbytné licenční požadavky pro export.

**i** Produktudseendet er kun til reference og kan variere fra det faktiske produkt.

## 1 Indledning

### 1.1 Oversigt

Det termografiske netværksboks-kamera (i det følgende kaldet "enheden") integrerer overvågning med fjernforbindelse på internettet, videoserver og funktioner til temperaturmåling i realtid.

Fjerntransmission, forhåndsvisning og konfiguration kan udføres gennem browsere og klienter. Den anvendes hovedsageligt til industriel termografi, eksplosionsikker integration, robotintegration osv.

## 2 Beskrivelse af kamera

### 2.1 Kameraoversigt (Side 1, 2 – A)

Udseendet kan variere afhængigt af model. Det faktiske produkt gælder.

Nr.	Komponent	Beskrivelse
1	Termisk objektiv	Viser det termiske billede.
2	M3 gevindhul	Til montering af skrue.
3	Kontrollampe for netværk	<ul style="list-style-type: none"> <li>• Blinker: Overfører netværksdata.</li> <li>• Lyser konstant: Netværket er forbundet, ingen datatransmission.</li> </ul>
4	USB Type-C-stik	Overfør data med et USB-C til USB-A-kabel.
5	Nulstillingsknap	Tryk på knappen nulstilling, og tilslut derefter strømforsyning. Tryk og hold knappen nulstilling nede i 10 sekunder, og slip knappen, så enheden

		gendannes til fabriksindstillingerne.
6	Terminalstik	Indeholder 12-pin-stik.
7	Kontrollampe for strøm	<ul style="list-style-type: none"> <li>• Konstant grøn: Enhedsbetjening.</li> <li>• Lyser konstant rødt: Enheden starter.</li> </ul>
8	Netværksstik	RJ-45, netværkskommunikation.
9	Netværkskabel	Når du tilslutter kablet til netværksporten, skal du stramme skrueerne på kablet for at sikre det.
10	Klemrækken	Sæt klemrækken i klemmesoklen, og forbind ledningerne med henvisning til pin-definitionen.

### 2.2 Pin-definition (Side 2 – B)

Nr.	Signal	Beskrivelse
1	Strøm	DC 10~30 V strømindgang.
2	GND	
3	UART_R	UART seriel kommunikation, til fejlfinding af enheden.
4	UART_T	
5	UART_P	
6	AL_IN	1 alarmindgang; 1 alarmudgang. Den eksterne strømforsyning til alarmudgangen skal være < DC 60 V, 1,3 A.
7	AL_OUTA	
8	AL_OUTB	

9	RS-485+	RS-485 seriel kommunikation.
10	RS-485-	
11	GND	Analogt udgang af lokal video.
12	CVBS	

### 3 Aktivere og få adgang til netværkskamera

Gå til [www.hikmicrotech.com](http://www.hikmicrotech.com) for at hente og installere HIKMICRO Studio. Nærmere oplysninger om betjening af enheden finder du i brugervejledningen.

### 4 Installation (Side 3 – C)

 Fare:

- Afbryd al strøm, når du installerer, tilslutter eller frakobler enheden for at sikre personalets og enhedens sikkerhed.
- Sørg for, at enheden er korrekt jordforbundet.
- Enheden er ikke vandtæt. Udsæt ikke enheden for direkte sollys, og installer ikke enheden alene i udendørs miljøer.

#### 4.1 Installation på beslag (Side 3 – C.1)

**Bemærk:** Adapterkortet og 1/4-20 UNC-skruen i illustrationen nedenfor leveres ikke med enheden. Vælg, om du vil forberede adapterkortet og 1/4-20 UNC-skruen ud fra den faktiske anvendelse.

**Trin:**

1. Brug de 6 M3-skrue (①) i pakken til at fastgøre adapterkortet (②) til enheden.
2. Installer enheden ved hjælp af en 1/4-20 UNC-skrue (③).

#### 4.2 Direkte installation (Side 3 – C.2)

Når du installerer enheden direkte på monteringsoverfladen, kan du dreje M3-skruen (⑤) ind i M3-gevindhullet (④) dybde: 2,5 mm) til at fastgøre enheden til monteringsoverfladen.

### 5 Vandtæt design (Side 4 – D)

Når du integrerer enheden, kan du vælge en vandtæt designmetode baseret på din enheds faktiske udseende.

- For model I-enheden, se side 4 – D.1 og brug en O-formet tætningsring (①) til vandtæt design.
- For model II-enheden, se side 4 – D.2 og brug en tætningsring (②) til vandtæt design.

### 6 Flere handlinger (Side 4 – E)

Scan QR-koden for at hente brugervejledningen til flere funktioner.

### Lovgivningsmæssig overensstemmelse og sikkerhedsoplysninger

Læs alle oplysninger og instrukser i dette dokument omhyggeligt, inden du tager enheden i brug, og gem dokumentet som reference.

Få flere oplysninger og anvisninger om enheder ved at besøge vores websted på <https://www.hikmicrotech.com>. Du kan også læse evt. andre dokumenter, der leveres med enheden, eller scanne en evt. QR-kode på emballagen for yderligere oplysninger.

### JURIDISK ANSVARSFRASKRIVELSE

VEJLEDNINGEN OG DET HERI BESKREVNE PRODUKT, INKL. HARDWARE, SOFTWARE OG FIRMWARE, LEVERES I STØRST MULIGT OMFANG, DER ER TILLADT VED LOV, "SOM DET ER OG FOREFINDES" OG "MED ALLE DEFEKTER OG FEJL". HIKMICRO UDSTEDER INGEN GARANTIER, HVERKEN UDTRYKKELIGE ELLER UNDERFORSTÅEDE, INKL. UDEN BEGRÆNSNING, VEDRØRENDE SALGBARHED, TILFREDSSTILLENDE KVALITET ELLER EGNETHED TIL ET BESTEMT FORMÅL. DIN BRUG AF PRODUKTET SKER PÅ DIN EGEN RISIKO. UNDER INGEN OMSTÆNDIGHEDER ER HIKMICRO ANSVARLIG OVER FOR DIG FOR SÆRLIGE SKADER, HÆNDELIGE SKADER, FØLGESKADER ELLER INDIREKTE SKADER, INKL. BL.A., SKADER SOM FØLGE AF DRIFTSTAB, DRIFTSFORSTYRELSE ELLER TAB AF DATA, BESKADIGELSE AF SYSTEMER ELLER TAB AF DOKUMENTATION, UANSET OM DET ER BASERET PÅ KONTRAKTBRUD, SKADEVOLDENDE HANDLINGER (HERUNDER UAGTSOMHED), PRODUKTANSVAR ELLER PÅ ANDEN MÅDE I FORBINDELSE MED BRUGEN AF PRODUKTET, SELVOM HIKMICRO ER BLEVET UNDERRETET OM MULIGHEDEN FOR SÅDANNE SKADER. DU ANERKENDER, AT INTERNETTET INDEHOLDER INDBYGGEDE SIKKERHEDSRISICI. HIKMICRO PÅTAGER SIG INTET ANSVAR FOR UNORMAL DRIFT, LÆKAGE AF PERSONLIGE OPLYSNINGER ELLER ANDRE SKADER SOM FØLGE AF CYBERANGREB, HACKERANGREB, VIRUSANGREB ELLER ANDRE INTERNETSIKKERHEDSRISICI. HIKMICRO VIL

DOG YDE EVENTUEL NØDVENDIG OG RETTIDIG TEKNISK SUPPORT.

DU ERKLÆRER DIG INDFORSTÅET MED AT BRUGE PRODUKTET I OVERENSSTEMMELSE MED ALLE GÆLDENDE LOVE, OG DU ER ENEANSVARLIG FOR AT SIKRE, AT DIN BRUG OVERHOLDER AL GÆLDENDE LOVGIVNING. DU ER ISÆR ANSVARLIG FOR AT BRUGE PRODUKTET PÅ EN MÅDE, DER IKKE KRÆNKER TREDJEPARTERS RETTIGHEDER, HERUNDER, UDEN BEGRÆNSNINGER, RETTIGHEDER VEDRØRENDE OFFENTLIG OMTALE, INTELLEKTUELLE EJENDOMSRETTIGHEDER ELLER RETTIGHEDER VEDRØRENDE DATABESKYTTELSE OG ANDRE RETTIGHEDER VEDRØRENDE PERSONLIGE OPLYSNINGER. DU MÅ IKKE BRUGE PRODUKTET TIL FORBUDTE SLUTANVENDELSER, HERUNDER UDVIKLING ELLER FREMSTILLING AF MASSEØDELÆGGELSESVÅBEN, UDVIKLING ELLER PRODUKTION AF KEMISKE ELLER BIOLOGISKE VÅBEN, AKTIVITETER I DEN KONTEKST, DER ER KNYTTET TIL ATOMBOMBER ELLER USIKKERT REAKTORBRÆNDELSE, ELLER SOM STØTTE TIL OVERTRÆDELSE AF MENNESKERETTIGHEDER.

I TILFÆLDE AF UOVERENSSTEMMELSE MELLEM VEJLEDNINGEN OG GÆLDENDE LOVGIVNING GÆLDER SIDSTNÆVNTE.

### Lovgivningsmæssige oplysninger

**Disse bestemmelser gælder kun for produkter, der er forsynet med det relevante mærke eller oplysninger.**

### Erklæring om overensstemmelse med EU

 Produktet og eventuelt medfølgende tilbehør er mærket "CE" og opfylder derfor gældende harmoniserede europæiske standarder anført i EU-direktiv 2014/30/EU (EMCD) og EU-direktiv 2011/65/EU (RoHS).

Bemærk: Produkter med en indgangsspænding på 50 til 1.000 V vekselstrøm eller 75 til 1.500 V jævnstrøm overholder direktiv 2014/35/EU (LVD), og de øvrige produkter overholder direktiv 2001/95/EF (GPSD). Kontrollér oplysningerne om strømforsyningen for reference.

Advarsel: Dette er et klasse A-produkt. Under anvendelse i boliger kan produktet forårsage

radiointerferens, og brugeren kan blive nødt til at træffe passende foranstaltninger.



EU-direktiv 2012/19/EU (WEEE-direktivet): Produkter, der er mærket med dette symbol, kan ikke bortskaffes som almindeligt

husholdningsaffald i EU. Med henblik på korrekt genbrug skal du aflevere produktet til din lokale leverandør ved køb af tilsvarende nyt udstyr eller aflevere det på et dertil indrettet indleveringssted. Du kan få flere oplysninger her: [www.recyclethis.info](http://www.recyclethis.info).



Forordning (EU) 2023/1542 (batteriforordningen): Dette produkt indeholder et batteri, og det er i overensstemmelse med forordning (EU) 2023/1542. Batteriet må ikke bortskaffes



som usorteret husholdningsaffald i EU. Find specifikke oplysninger om batteriet i produktokumentationen. Batteriet er mærket med dette symbol, som også kan indeholde bogstaver, der angiver cadmium (Cd) eller bly (Pb). Med henblik på korrekt genbrug skal du aflevere batteriet til din leverandør eller til et dertil indrettet indleveringssted. For yderligere oplysninger se: [www.recyclethis.info](http://www.recyclethis.info).

### Sikkerhedsanvisninger

Disse anvisninger skal sikre, at brugeren kan anvende produktet korrekt og undgå fare eller tab af ejendom. Læs alle sikkerhedsanvisninger omhyggeligt inden ibrugtagning.

### Love og bestemmelser

Enheden skal anvendes i overensstemmelse med lokale love, sikkerhedsbestemmelser for elnettilslutning og brandforebyggelse.

### Transport

- Opbevar enheden i den oprindelige eller en lignende emballage, når den skal transporteres.
- Tab ikke produktet, og udsæt det ikke for fysiske stød. Hold enheden væk fra magnetisk forstyrrelse.

### Elektrisk sikkerhed

- FORSIGTIG: Hvis enhedens sikring kan udskiftes, må den kun udskiftes med en anden af samme model for at reducere risikoen for brand eller elektriske stød.
- Hvis en sikring er tilsluttet den neutrale

ledning, og der opstår en dobbeltpolet/neutral sikring, kan dele af enheden, der forbliver strømførende, udgøre en fare under service, efter at sikringen er aktiveret.

- Enheden skal tilsluttes en stikkontakt på elnettet med jordforbindelse.
- Stikkontakten skal være installeret i nærheden af enheden og være nemt tilgængelig.
- Du må ikke røre ved de nøgne komponenter (f.eks. metalkontakterne på indtagene), og du skal vente i mindst 5 minutter, da der stadig kan være elektricitet, efter at enheden er slukket.
- Hvis enheden strømforsynes af terminaler, der er sluttede til el-ledningen, skal du sikre korrekt spænding og kabelføring af terminalerne til tilslutning til hovedstrømforsyningen.

- Når du anvender produktet, skal du strengt overholde landets og områdets sikkerhedsbestemmelser for elnettilslutning.
- Enheden må ikke udsættes for dryppende eller sprøjtende vand, og der må ikke stilles genstande med væske, som f.eks. vaser, på enheden.

### **Batteri**

Advarsel:

- **FORSIGTIG:** Der er eksplosionsfare, hvis batteriet udskiftes med en forkert type.
- Udskiftning af batteriet med et batteri af forkert type kan sætte en sikkerhedsforanstaltning ud af kraft (gælder fx for visse litium-batterityper).
- Bortskaf ikke batteriet i åben ild eller en varm ovn. Knus ikke, og skær ikke i batteriet, da dette kan forårsage en eksplosion.
- Efterlad ikke produktet i omgivelser med ekstremt høje temperaturer såsom ild eller en varmeovn, da dette kan medføre en eksplosion eller lækage af brændbar væske eller gas.
- Udsæt ikke produktet for opvarmede beholdere, vaskemaskiner eller trykbeholdere.
- Bortskaf brugte batterier i henhold til anvisningerne.
- Udstyret er ikke egnet til brug på steder, hvor det er sandsynligt, at børn er til stede.

### **Forebyggelse af brand**

- Placér ikke kilder med åben ild, såsom tændte stearinlys, oven på enheden.
- For en enhed med ventilationsåbninger må

ventilationsåbningerne ikke blokeres af f.eks. aviser, duge, og gardiner, da luftcirkulationen ellers begrænses. Åbningerne må aldrig blokeres ved, at enheden placeres på en seng, en sofa, et tæppe eller lignende overflader.

### **Strømforsyning**

- Kontrollér, at stikket er sat godt i stikkontakten.
- Slut IKKE flere enheder til én strømadapter for at undgå overhedning eller brandfare som følge af overbelastning.
- + identificer de positive terminaler på udstyret, der bruges sammen med eller genererer jævnstrøm. - identificer de negative terminaler på udstyret, der bruges sammen med eller genererer jævnstrøm.

### **Installation**

- Installér enheden i overensstemmelse med anvisningerne i vejledningen.
- For at undgå personskade skal enheden fastgøres forsvarligt til installationsoverfladen i overensstemmelse med installationsvejledningen.
- Anbring aldrig udstyret på et usikkert underlag. Udstyret kan vælte og forårsage alvorlig personskade eller død.

### **Systemsikkerhed**

- Du skal være bevidst om, at du har ansvar for at konfigurere alle adgangskoder og andre sikkerhedsindstillinger vedrørende enheden og at opbevare dit brugernavn og din adgangskode et sikkert sted.

### **Vedligeholdelse**

- Hvis produktet ikke virker korrekt, skal du kontakte din forhandler eller dit nærmeste servicecenter. Vi påtager os intet ansvar for problemer, der er forårsaget af uautoriseret reparation eller vedligeholdelse.
- Tør enheden forsigtigt af med en ren klud og en lille mængde ætanol, hvis det er nødvendigt.
- Hvis udstyret bruges på en måde, der ikke er angivet af producenten, kan den beskyttelse, der enheden giver, blive forringet.
- Hvis du selv skal kabelføre enheden, skal du vælge den tilhørende ledning med henblik på at strømforsyne i henhold til de elektriske parametre, der er markeret på enheden. Afisolér ledningen med en standardledningsstripper i den tilhørende position. For at undgå alvorlige konsekvenser

skal længden af den afisolerede ledning være passende, og lederne må ikke være nøgne.

### **Driftsmiljø**

- Kontrollér, at driftsmiljøet opfylder enhedens krav. Driftstemperaturen skal være - 20 °C til 50 °C (-4 °F til 122 °F), og driftsfugtigheden skal være mindre end 90 % RH.
- Objektivet må IKKE rettes mod solen eller et stærkt lys.
- Enheden må IKKE udsættes for kraftig elektromagnetisk stråling.

### **Nødsituation**

- Kontrollér, at strømmen er afbrudt, før du trækker ledninger til, installerer eller adskiller enheden.
- Hvis enheden afgiver røg, lugt eller støj, skal du straks slukke for strømmen og trække strømkablet ud. Kontakt derefter servicecentret.

### **Tidssynkronisering**

- Konfigurer enhedstiden manuelt første gang, du tilgår enheden, hvis den lokale tid ikke er synkroniseret til netværkets. Besøg enheden via webbrowser/klientsoftware, og gå til grænsefladen tidsindstillinger.

### **Producentens adresse**

Værelse 313, Enhed B, Bygning 2, 399 Danfeng Vej, Xixing Underdistrikt, Binjiang Distrikt, Hangzhou, Zhejiang 310052, Kina  
Hangzhou Microimage Software Co., Ltd.

**MEDDELELSE OM OVERENSSTEMMELSE:**  
Produkterne i den termiske serie kan være underlagt eksportkontrol i forskellige lande eller områder, herunder, uden begrænsning, USA, EU, Storbritannien og/eller andre medlemslande i Wassenaar-aftalen. Kontakt din professionelle juraekspert, ekspert i overensstemmelse eller de lokale offentlige myndigheder for at få oplysninger om kravene for eksportlicens, hvis du har til hensigt at overføre, eksportere eller geneksportere enheder i den termiske serie mellem forskellige lande.

**i** A termék megjelenése csak tájékoztató jellegű, és eltérhet a tényleges terméktől.

## 1 Bevezetés

### 1.1 Áttekintés

A termográfiai hálózati dobozkamera (a továbbiakban: „eszköz”) távoli internetes felügyeletet, videoszervert és valós idejű hőmérsékletmérési funkciókat integrál.

A böngészők és kliensszoftverek segítségével az adatátvitel, az élőkép megtekintése és a konfigurálás távolból is végrehajtható.

Elsősorban az ipari termográfiaiban, a robbanásbiztos integrációban, a robotintegrációban stb. alkalmazzák.

## 2 Külső megjelenés leírása

### 2.1 A kamera áttekintése (Oldal: 1, 2 – A. ábra)

A külső megjelenés a különböző modellek függvényében változhat. Kérjük, a valós terméket tekintse vonatkozási alpnak.

Sz.	Részegység	Leírás
1	Hőérzékelő lencse	A hőképet jeleníti meg.
2	M3-as méretű mentes furat	A csavar rögzítéséhez.
3	Hálózati jelzőfény	<ul style="list-style-type: none"> <li>• Villogás: Hálózati adatátvitel.</li> <li>• Folyamatos fény: A hálózat csatlakoztatva van, de nincs adatátvitel.</li> </ul>
4	C típusú USB-csatlakozó	Adatok átvitele USB-C és USB-A kábellel.
5	Visszaállítás gomb	Nyomja be a visszaállítás gombot majd csatlakoztassa a tápegységet. Nyomja be és tartsa benyomva 10 másodpercig a visszaállítás

		gombot, majd engedje el a az eszköz gyári beállításainak visszaállításához.
6	Csatlakozóaljzat	12 tűs csatlakozókat tartalmaz.
7	Működési jelzőfény	<ul style="list-style-type: none"> <li>• Folyamatos zöld: Az eszköz üzemel.</li> <li>• Folyamatos piros: Az eszköz indítása folyamatban.</li> </ul>
8	Hálózati interfész	RJ-45, hálózati kommunikáció.
9	Hálózati kábel	A hálózati kábel csatlakoztatása kor húzza meg a kábel csavarjait a rögzítéshez.
10	Csatlakozóblokk	Helyezze be a csatlakozóblokkot a csatlakozóaljzatba, és csatlakoztassa a vezetékeket a tűmeghatározás alapján.

### 2.2. Tűmeghatározás (Oldal: 2 – B)

Sz.	Jel	Leírás
1	Tápellátás	DC 10~30 V bemeneti teljesítmény.
2	GND	
3	UART_R	UART soros kommunikáció, az eszköz hibakereséséhez.
4	UART_T	
5	UART_P	
6	AL_IN	

7	AL_OUTA	1 riasztásbemenet, 1 riasztáskimenet. A riasztáskimenet külső tápellátásának a következő paraméterekkel kell rendelkeznie: < DC 60 V, 1,3 A.
8	AL_OUTB	
9	RS-485+	RS-485 soros kommunikáció.
10	RS-485-	
11	GND	Helyi videó analóg kimenete.
12	CVBS	

### 3. Hálózati kamera aktiválása és elérése

Látogassa meg a [www.hikmicrotech.com](http://www.hikmicrotech.com) weboldalt a HIKMICRO Studio alkalmazás letöltéséhez és telepítéséhez. A részletes működést a készülék használati útmutatója tartalmazza.

### 4. Felszerelés (Oldal: 3 – C)

 Veszély:

- A személyzet és az eszköz biztonsága érdekében az eszköz telepítésekor, csatlakoztatásakor vagy kihúzásakor kapcsolja ki az összes áramforrást.
- Ellenőrizze, hogy az eszköz megfelelően van-e földelve.
- Az eszköz nem vízálló. Ne tegye ki az eszközt közvetlen napfénynek, és ne telepítse az eszközt önállóan kültéri környezetben.

#### 4.1. Konzolokra való felszerelés (Oldal: 3 – C.1)

**Megjegyzés.** Az adapterkártya és az alábbi ábrán látható 1/4-20 UNC csavar az eszköztől külön kaphatók. Válassza ki az adapterkártya és az 1/4-20 UNC csavar tényleges alkalmazáson alapuló előkészítését.

#### Lépések:

1. A csomagban található M3 × 6-os csavarok (①) segítségével rögzítse az adapterkártyát (②) az eszközhöz.
2. Szerelje fel az eszközt az 1/4-20 UNC típusú csavar segítségével (③).

#### 4.2. Közvetlen felszerelés (Oldal: 3 – C.2)

Ha az eszközt közvetlenül a falon kívüli felületre szereli fel, akkor az M3-as csavart (⑤) az M3-as méretű menetes furatba csavarva (④ mélység: 2,5 mm)

csatlakoztathatja az eszközt a falon kívüli felületre.

### 5. Vízálló kialakítás (Oldal: 4 – D)

A eszköz integrálása során az eszköz tényleges megjelenése alapján választhat vízálló kialakítási módot.

- I-es modellű eszköz esetén tekintse meg a 4 – D.1. oldalt, és használjon O-alakú tömítőgyűrűt (①) a vízálló kialakításhoz.
- II-es modellű eszköz esetén tekintse meg a 4 – D.2. oldalt, és használjon tömítőgyűrűt (②) a vízálló kialakításhoz.

### 6. További műveletek (Oldal: 4 – E)

Olvassa be a QR-kódot a további műveleteket ismertető felhasználói kézikönyv beszerzéséhez.

### Jogsabályi megfelelés és biztonsági információk

A készülék használata előtt figyelmesen olvassa el a jelen dokumentumban található összes információt és utasítást, és őrizze meg azokat jövőbeni referenciaként.

A készülékkel kapcsolatos további információkért és utasításokért kérjük, látogasson el weboldalunkra a <https://www.hikmicrotech.com> címen. További információkat kaphat a készülékhez mellékelte egyéb dokumentumokból is (ha vannak ilyenek), vagy ha beolvassa a csomagoláson található QR-kódot (ha van ilyen).

### JOGI NYILATKOZAT

EZT A KÉZIKÖNYVET, VALAMINT A BENNE SZEREPLŐ TERMÉKET ANNAK HARDVER-, SZOFTVER-ÖSSZTEVŐIVEL ÉS FIRMWARE-ÉVEL EGYÜTT „EREDETI FORMÁBAN” BIZTOSÍTJUK, „BELEÉRTVE AZOK ÖSSZES ESETLEGES HIBÁJÁT”. A HIKMICRO NEM VÁLLAL SEM KIFEJEZETT, SEM TÖRVÉNY ÁLTAL VÉLELMEZETT JÓTÁLLÁST TÖBBEK KÖZÖTT – DE NEM KORLÁTOZVA – A TERMÉK ÉRTÉKSÍTHETŐSÉGÉRE, MEGFELELŐ MINŐSÉGÉRE, VALAMINT ADOTT CÉLRA VALÓ ALKALMASSÁGÁRA. A TERMÉKET KIZÁRÓLAG SAJÁT FELELŐSÉGÉRE HASZNÁLHATJA. A HIKMICRO SEMMILYEN ESETBEN SEM VÁLLAL FELELŐSÉGET ÖN FELÉ SEMMILYEN KÜLÖNLEGES, KÖVETKEZMÉNYES, JÁRULÉKOS VAGY KÖZVETETT KÁRÉRT, BELEÉRTVE TÖBBEK

KÖZÖTT A TERMÉK HASZNÁLATÁVAL ÖSSZEFÜGGÉSBEN AZ ÜZLETI HASZON ELVESZTÉSÉBŐL, AZ ÜZLETMENET MEGSZAKADÁSÁBÓL, VALAMINT AZ ADATOK VAGY DOKUMENTUMOK ELVESZTÉSÉBŐL EREDŐ KÁROKAT, TÖRTÉNJEN EZ SZERZŐDÉSSZEGÉS VAGY KÁROKOZÁS (BELEÉRTVE A GONDATLANSÁGOT) EREDMÉNYEKÉNT, MÉG AKKOR SEM, HA A HIKMICRO VÁLLALATOT TÁJÉKOZTATTÁK AZ ILYEN KÁROK BEKÖVETKEZÉSÉNEK LEHETŐSÉGÉRŐL.

ÖN TUDOMÁSUL VESZI, HOGY AZ INTERNET TERMÉSZETÉBŐL FAKADÓAN KOCKÁZATOKAT REJT, ÉS A HIKMICRO SEMMILYEN FELELŐSÉGET NEM VÁLLAL A RENDELLENES MŰKÖDÉSÉRT, A SZEMÉLYES ADATOK KISZIVÁRGÁSÁÉRT VAGY MÁS OLYAN KÁROKÉRT, AMELYEKET KIBERTÁMADÁSOK, HACKERTÁMADÁSOK, VÍRUSFERTŐZÉSEK VAGY MÁS INTERNETES BIZTONSÁGI VESZÉLYEK OKOZTAK; A HIKMICRO AZONBAN KÉRÉSRE IDŐBEN MŰSZAKI TÁMOGATÁST NYÚJT.

ÖN ELFOGADJA, HOGY EZT A TERMÉKET KIZÁRÓLAG A VONATKOZÓ TÖRVÉNYI ELŐÍRÁSOK BETARTÁSÁVAL HASZNÁLJA, ÉS HOGY A VONATKOZÓ TÖRVÉNYEKNEK MEGFELELŐ HASZNÁLAT KIZÁRÓLAG AZ ÖN FELELŐSSÉGE. KÜLÖNÖSKÉPPEN AZ ÖN FELELŐSSÉGE, HOGY A TERMÉK HASZNÁLATA SORÁN NE SÉRTSE HARMADIK FÉL JOGAIT, BELEÉRTVE, DE NEM KORLÁTOZVA A NYILVÁNOSSÁGRA, SZELLEMI TULAJDONRA, ADATOK VÉDELMEÉRE ÉS EGYÉB SZEMÉLYES ADATOKRA VONATKOZÓ JOGOKAT. A TERMÉKET NEM HASZNÁLHATJA TILTOTT CÉLRA, BELEÉRTVE A TÖMEGPEZSZTÍTÓ FEGYVEREK FEJLESZTÉSÉT VAGY GYÁRTÁSÁT, A VEGYI VAGY BIOLÓGIAI FEGYVEREK FEJLESZTÉSÉT VAGY GYÁRTÁSÁT, VALAMINT BÁRMILYEN, ROBBANÁSVESZÉLYES VAGY NEM BIZTONSÁGOS NUKLEÁRIS HASADÓANYAG-CIKLUSSAL KAPCSOLATOS TEVÉKENYSÉGET, ILLETVE EMBERI JOGI VISSZAEÉLÉSEKET TÁMOGATÓ MÓDON TÖRTÉNŐ FELHASZNÁLÁST.

HA A JELEN KÉZIKÖNYV ÉS A HATÁLYOS TÖRVÉNY KÖZÖTT ELLENTMONDÁS TAPASZTALHATÓ, AKKOR AZ UTÓBBI A MÉRVADÓ.

## Szabályozással kapcsolatos információk

**Ezek a cikkelyek kizárólag a megfelelő jelt vagy információt viselő termékekre vonatkoznak.**

### EU megfeleléségi nyilatkozat

**CE** Ez a termék és a mellékelt tartozékai (ha vannak) a „CE” jelzést viselik, így megfelelnek a 2014/30/EU (EMCD) és a 2011/65/EU (RoHS) irányelvben felsorolt harmonizált európai szabványoknak.

Megjegyzés: Az 50 - 1000 V (egyenáram) vagy 75 - 1500 V (váltóáram) tartományba eső bemeneti feszültséggel rendelkező termékek a 2014/35/EU (LVD) irányelv előírásainak, míg a többi termék a 2001/95/EK (GPSD) irányelv előírásainak felel meg. Kérjük, ellenőrizze az adott tápegységre vonatkozó tájékoztató információkat.

Figyelmeztetés: Ez egy A osztályú termék. Lakókörnyezetben rádióhullámú zavart okozhat, amely esetben a felhasználó számára előírható a megfelelő intézkedések megtétele.



2012/19/EU irányelv (WEEE irányelv): Az ilyen jelzéssel ellátott termékeket nem lehet szelektálatlan kommunális hulladékként

kiselejtezni az Európai Unióban. A megfelelő újrahasznosítás érdekében vigye vissza ezt a terméket helyi forgalmazóhoz, amikor új, egyenértékű berendezést vásárol, vagy adja le a kijelölt gyűjtőhelyeken. További információk: [www.recyclethis.info](http://www.recyclethis.info).



2023/1542 Eu-rendelet (az elemekről, illetve akkumulátorokról szóló



rendelet) : Ez a termék akkumulátort tartalmaz, és megfelel az (EU) 2023/1542

rendeletnek. Az akkumulátort az Európai Unió területén belül nem lehet szelektálatlan kommunális hulladékként kiselejtezni. A termékdokumentációban további információkat talál az akkumulátorról. Az akkumulátor ezzel a jelzéssel van ellátva. A jelzésen megtalálhatók lehetnek a kadmiumot (Cd) vagy ólmot (Pb) jelző betűjelek. A megfelelő újrahasznosítás érdekében

vigye vissza az akkumulátort a forgalmazóhoz, vagy juttassa el egy kijelölt gyűjtőhelyre. További információért keresse fel az alábbi honlapot: [www.recyclethis.info](http://www.recyclethis.info).

### **Biztonsági utasítások**

Jelen utasítások arra szolgálnak, hogy a felhasználó helyesen használhassa a terméket, elkerülve a veszélyeket és megelőzve az anyagi károkat. Kérjük, használat előtt figyelmesen olvassa el az összes biztonsági információt.

### **Törvények és szabályok**

Az eszközt a helyi törvények, elektromos biztonsági és tűzvédelmi előírások betartásával kell használni.

### **Szállítás**

- Szállítás alkalmával tartsa a terméket az eredeti vagy ahhoz hasonló csomagolásban.
- Ne ejtse le és ne tegye ki ütődésnek a készüléket. Az eszközt tartsa távol a mágneses interferenciától.

### **Elektromos biztonság**

- VIGYÁZAT: Amennyiben a készülék biztosítóka cserélhető, a tűz- és áramütésveszély csökkentése érdekében a kiegészítőket csak ugyanolyan típusú biztosítókkal helyettesítse.
- Ha a biztosítékot a semleges vezetékhez csatlakoztatják, és kétpólusú/semleges biztosíték keletkezik, a készülék feszültség alatt maradó részei veszélyt jelenthetnek a biztosíték működtetése utáni szervizelés során.
- A készüléket földelt hálózati aljzathoz kell csatlakoztatni.
- A hálózati aljzat a készülék közelében legyen, könnyen hozzáférhető helyen.
- Ne érintse meg a csupasz alkatrészeket (például a bemenetek fémérintkezőit), és a kikapcsolás után várjon legalább 5 percet, hiszen fennáll a veszélye, hogy áram marad a készülékben.
- Amennyiben a készüléket a tápkábelhez csatlakoztatott érintkezőkön keresztül helyezik feszültség alá, figyeljen a hálózati tápforráshoz csatlakozó érintkezők megfelelő feszültségére és bekötésére.
- A termék használata során az ország és a régió elektromos biztonsági előírásait szigorúan be kell tartani.

- Az eszközt védeni kell csöpögő vagy fröccsenő víz és folyadékok ellen. Ne helyezzen vizet tartalmazó edényt, tárgyat, pl. vázát az eszköz tetejére.

### **Akkumulátor**

Figyelmeztetés:

- VIGYÁZAT: Az akkumulátor nem megfelelő típusúra cserélése robbanásveszélyt idézhet elő.
- Az akkumulátor nem megfelelő típusal történő helyettesítése hatástalaníthat adott biztonsági berendezéseket (például bizonyos típusú lítiumos akkumulátorok esetében).
- Tilos az akkumulátort tűzbe vagy forró sütőbe helyezni, illetve összetörni vagy szétvágni, mert ez robbanást okozhat.
- Ne helyezze a terméket rendkívül magas hőmérsékletű környezetbe, például tűzbe vagy fűtőkemencébe, ugyanis ez robbanáshoz, illetve gyúlékony folyadék vagy gáz szivárgásához vezethet.
- Ne helyezze a terméket fűtött edényekbe, mosógépbe vagy nyomásálló tartályba.
- A használt akkumulátorokat az utasításoknak megfelelően semlegesítse.
- Ez a berendezés nem használható olyan helyen, ahol gyermekek lehetnek jelen.

### **Tűzvédelmi előírások**

- Tilos a készüléken nyílt lángforrást, pl. gyertyát elhelyezni.
- Szellőzőnyílással rendelkező készülék esetében a készülék szellőzőnyílásait nem szabad például újságpapír, terítő, függöny ráhelyezésével eltakarni. A készüléket soha ne helyezze ágyra, kanapéra, szőnyegre vagy hasonló felületre, mert ezzel eltakarja annak szellőzőnyílásait.

### **Tápellátás**

- Ellenőrizze, hogy a tápcsatlakozó stabilan van-e csatlakoztatva a konnektorhoz.
- NE csatlakoztasson több készüléket egy hálózati adapterre, hogy elkerülje a túlterhelés okozta túlmelegedést vagy tűzveszélyt.
- A + a berendezés áramot fogadó vagy leadó pozitív érintkezőjét jelöli. A - a berendezés áramot fogadó vagy leadó negatív érintkezőjét jelöli.

### **Telepítés**

- a készüléket az útmutatóban előírtak szerint végezze.
- A balesetveszély elkerülése érdekében a

készüléket szilárdan a rögzítési felülethez kell erősíteni, az üzembe helyezési utasításoknak megfelelően.

- Soha ne helyezze a berendezést instabil helyre. A berendezés leeshet, ami súlyos vagy akár halálos sérülést okozhat.

### **Rendszerbiztonság**

- Ne feledje, hogy az Ön felelőssége az eszközökhöz kapcsolódó összes jelszó és egyéb biztonsági beállítás megadása, valamint felhasználónevének és jelszavának biztonságos megőrzése.

### **Karbantartás**

- Ha a termék NEM működik megfelelően, forduljon a kereskedőhöz vagy a legközelebbi szervizközponthoz. Nem vállalunk felelősséget az illetéktelen javításból vagy karbantartásból eredő károkért.

- Törölje le a készüléket egy tiszta ruhával és kis mennyiségű etanollal, ha szükséges.

- Ha a készüléket nem a gyártó által meghatározott módon használja, a védelem szintje csökkenhet.

- Ha a készüléket saját kezűleg kell bekötnie, figyeljen arra, hogy a megfelelő huzalt válassza a tápellátáshoz, a készüléken feltüntetett elektromossági paramétereknek megfelelően. Csupaszítsa le a huzalt egy szabványos csupaszítófogóval a megfelelő helyen. A súlyos következmények elkerülése érdekében arra figyeljen, hogy a lecsupaszított vezeték legyen megfelelő hosszúságú, és ne maradjon szabadon lecsupaszított huzalvég.

### **Használati környezet**

- Bizonyosodjon meg, hogy a használati környezet megfelel a készülék előírásainak. Az üzemi hőmérséklet -20°C és 50°C (-4°F–122°F) közötti, a megfelelő páratartalom pedig legfeljebb 90%-os relatív páratartalom lehet.

- NE IRÁNYÍTSA az objektívet a Nap vagy más erős fényforrás irányába.

- NE TEGYE ki a készüléket erős elektromágneses sugárzásnak.

### **Vészhelyzet**

- A készülék bekötése, telepítése vagy szétszerelése előtt győződjön meg róla, hogy a készülék le van választva az elektromosságról.

- Ha a készülék füstöt, furcsa szagot vagy zajt bocsát ki, azonnal kapcsolja ki, húzza ki a

tápkábelt, majd forduljon a szervizközponthoz.

### **Idősinkronizálás**

- Ha a helyi idő hálózati idővel való szinkronizálása nem történik meg, akkor az eszköz idejét kézzel kell beállítani.

Webböngészőn/kliensszoftveren keresztül nyissa meg az eszközt, majd lépjen az időbeállítás felületre.

### **A gyártó címe**

313-as szoba, B egység, 2-es épület, 399 Danfeng Road, Xixing alkerület, Binjiang kerület, Hangzhou, Zhejiang 310052, Kína  
Hangzhou Microimage Software Co., Ltd.

MEGFELELŐSÉGI MEGJEGYZÉS: A termográfias sorozat termékeire exportszabályozás vonatkozhat különböző régiókban és országokban, pl. az Egyesült Államokban, az Európai Unióban, az Egyesült Királyságban és/vagy a wassenaari egyezmény más tagországaiban. Ha a termográfias sorozat termékeit különböző országok közt szeretné szállítani, exportálni vagy újraexportálni, tájékozódjon a szükséges exportengedélyekről és követelményekről egy jogi vagy megfeleléségi szakértőnél, vagy a helyi hatóságoknál.

**i** Rysunki przedstawiające wygląd produktu służą wyłącznie do celów referencyjnych i mogą różnić się od rzeczywistego wyglądu urządzenia.

## 1 Wprowadzenie

### 1.1 Opis urządzenia

Sieciowa kamera termowizyjna (zwana dalej „urządzeniem”) łączy w sobie funkcje zdalnego monitoringu internetowego, serwera wideo i pomiaru temperatury w czasie rzeczywistym.

Operacje związane ze zdalną transmisją, podglądem i konfiguracją można wykonywać przy użyciu przeglądarki i oprogramowania klienckiego. Jest stosowana głównie w termografii przemysłowej, integracji przeciwwybuchowej, integracji robotów itp.

### 2 Opis urządzenia

#### 2.1 Ogólne informacje o kamerze (Strona 1, 2 – A)

Wygląd urządzenia jest zależny od modelu. Skorzystaj z dokumentacji danego produktu.

Nr	Element	Opis
1	Obiektyw termowizyjny	Wyświetlanie obrazu termicznego.
2	Otwór na śrubę M3	Umieszczanie śruby w otworze.
3	Wskaźnik sieciowy	<ul style="list-style-type: none"> <li>Miga: przesyłanie danych w sieci.</li> <li>Włączony: połączenie sieci bez przesyłania danych.</li> </ul>
4	Gniazdo interfejsu USB typu C	Przesyłaj dane za pomocą kabla USB-C na USB-A.
5	Przycisk resetowania	Naciśnij przycisk resetowania, a następnie podłącz zasilanie. Naciśnij przycisk resetowania i przytrzymaj go przez 10 s, a następnie zwolnij,

		aby przywrócić ustawienia fabryczne urządzenia.
6	Gniazdo terminala	Zawiera 12-stykowe złącza.
7	Wskaźnik zasilania	<ul style="list-style-type: none"> <li>Włączony (zielony): Obsługa urządzenia.</li> <li>Włączony (czerwony): Uruchamianie urządzenia.</li> </ul>
8	Złącze sieciowe	Komunikacja sieciowa (RJ-45).
9	Przewód sieciowy	Po podłączeniu kabla do gniazda sieciowego należy dokręcić śruby na kablu, aby go zabezpieczyć.
10	Zacisk terminala	Włóż zacisk terminala do gniazda terminala i połącz przewody zgodnie z definicją styków opisaną w definicji styków.

#### 2.2 Definicja styków (Strona 2 – B)

Nr	Sygnal	Opis
1	Zasilanie	Wejście zasilania DC 10-30 V.
2	GND	
3	UART_R	Połączenia szeregowo UART, do debugowania urządzenia.
4	UART_T	
5	UART_P	
6	AL_IN	1 wejście alarmu i 1 wyjście alarmu. Zewnętrzne zasilanie wyjścia alarmowego powinno być niższe niż 60 V DC, 1,3 A.
7	AL_OUTA	
8	AL_OUTB	
9	RS-485+	

10	RS-485-	Połączenie szeregowo RS-485
11	GND	Wyjście analogowe dla lokalnego obrazu wideo.
12	CVBS	

### 3 Aktywacja i dostęp do kamery sieciowej

Aby pobrać aplikację HIKMICRO Studio i zainstalować ją, skorzystaj z witryny internetowej [www.hikmicrotech.com](http://www.hikmicrotech.com). Aby uzyskać więcej informacji dotyczących obsługi urządzenia, skorzystaj z podręcznika użytkownika.

### 4 Instalacja (Strona 3 – C)

 **Zagrożenie:**

- Podczas instalacji, podłączania lub odłączania urządzenia należy odłączyć całe zasilanie, aby zapewnić bezpieczeństwo personelu i urządzenia.
- Upewnij się, że urządzenie jest prawidłowo uziemione.
- Urządzenie nie jest wodoodporne. Nie należy wystawiać urządzenia na bezpośrednie działanie promieni słonecznych ani instalować go samodzielnie na zewnątrz.

#### 4.1 Montaż w uchwytach (Strona 3 – C.1)

**Uwaga.** Płytki adaptera i śruba 1/4-20 UNC przedstawione na poniższej ilustracji nie są dostarczane z urządzeniem. Wybierz, czy chcesz przygotować płytkę adaptera i śrubę 1/4-20 UNC w zależności od rzeczywistego zastosowania.

**Procedura:**

1. Przy użyciu 6 śrub M3 (①) dostarczonych w opakowaniu, przymocuj płytkę adaptera (②) do urządzenia.
2. Instalacja urządzenia przy użyciu śruby 1/4-20 UNC (③).

#### 4.2 Instalacja bezpośrednia (Strona 3 – C.2)

Podczas bezpośredniego montażu urządzenia na powierzchni montażowej, można wkręcić śrubę M3 (⑤) w otwór gwintowany M3 (o głębokości ④: 2,5 mm) do podłączenia urządzenia do powierzchni montażowej.

### 5 Wodoodporna konstrukcja (Strona 4 – D)

Podczas integracji urządzenia można wybrać wodoodporną metodę konstrukcji w oparciu o rzeczywisty wygląd urządzenia.

- W przypadku modelu I urządzenia, patrz strona 4 – D.1 i użyj pierścienia uszczelniającego w kształcie litery O (①) na potrzeby wodoodpornej konstrukcji.
- W przypadku modelu II urządzenia, patrz strona 4 – D.2 i użyj pierścienia uszczelniającego (②) na potrzeby wodoodpornej konstrukcji.

### 6 Więcej operacji (Strona 4 – E)

Aby uzyskać więcej informacji, zeskanuj kod QR w celu pobrania podręcznika użytkownika.

#### Informacje dotyczące zgodności z przepisami i bezpieczeństwa

Przed skorzystaniem z urządzenia należy uważnie przeczytać ten podręcznik i zachować go jako źródło informacji referencyjnych.

Aby uzyskać więcej informacji dotyczących urządzenia, skorzystaj z naszej witryny internetowej <https://www.hikmicrotech.com>. Aby uzyskać więcej informacji, można też skorzystać z innych dokumentów dostarczonych razem z urządzeniem lub zeskanować kod QR na opakowaniu.

#### ZASTRZEŻENIA PRAWNE

W PEŁNYM ZAKRESIE DOZWOLONYM PRZEZ OBOWIĄZUJĄCE PRAWO TEN PODRĘCZNIK, OPISANY PRODUKT I ZWIĄZANE Z NIM WYPOSAŻENIE ORAZ OPROGRAMOWANIE APLIKACYJNE I UKŁADOWE SĄ UDOSTĘPNIANE NA ZASADACH „AS IS” BEZ GWARANCJI BRAKU USTEREK I BŁĘDÓW („WITH ALL FAULTS AND ERRORS”). FIRMA HIKMICRO NIE UDZIELA ŻADNYCH WYRAŹNYCH ANI DOROZUMIANYCH GWARANCJI, TAKICH JAK GWARANCJE DOTYCZĄCE PRZYDATNOŚCI HANDLOWEJ, JAKOŚCI LUB PRZYDATNOŚCI DO OKREŚLONEGO CELU. UŻYTKOWNIK KORZYSTA Z PRODUKTU NA WŁASNE RYZYKO. NIEZALEŻNIE OD OKOLICZNOŚCI FIRMA HIKMICRO NIE PONOSI ODPOWIEDZIALNOŚCI ZA STRATY SPECJALNE, NASTĘPCZE, UBOCZNE LUB POŚREDNIE, TAKIE JAK STRATA OCZEKIWANYCH ZYSKÓW Z DZIAŁALNOŚCI BIZNESOWEJ, PRZERWY W DZIAŁALNOŚCI BIZNESOWEJ, USZKODZENIE SYSTEMÓW ALBO STRATA DANYCH LUB DOKUMENTACJI, WYNIKAJĄCE Z NARUSZENIA UMOWY,

PRZEWINIENIA (ŁĄCZNIE Z ZANIEDBANIEM), ODPOWIEDZIALNOŚCI ZA PRODUKT LUB INNYCH OKOLICZNOŚCI, ZWIĄZANE Z UŻYCIEM TEGO PRODUKTU, NAWET JEŻELI FIRMA HIKMICRO ZOSTAŁA POINFORMOWANA O MOŻLIWOŚCI WYSTĄPIENIA TAKICH SZKÓD LUB STRAT. UŻYTKOWNIK PRZYJMUJE DO WIADOMOŚCI, ŻE KORZYSTANIE Z INTERNETU JEST ZWIĄZANE Z ZAGROŻENIAMI DLA BEZPIECZEŃSTWA, A FIRMA HIKMICRO NIE PONOSI ODPOWIEDZIALNOŚCI ZA NIEPRAWIDŁOWE FUNKCJONOWANIE, WYCIEK POUFNYCH INFORMACJI LUB INNE SZKODY WYNIKAJĄCE Z ATAKU CYBERNETYCZNEGO, ATAKU HAKERA, DZIAŁANIA WIRUSÓW LUB INNYCH ZAGROŻEŃ DLA BEZPIECZEŃSTWA W INTERNECIE. FIRMA HIKMICRO ZAPEWNI JEDNAK POMOC TECHNICZNĄ W ODPOWIEDNIM CZASIE, JEŻELI BĘDZIE TO WYMAGANE.

UŻYTKOWNIK ZOBOWIĄDUJE SIĘ DO KORZYSTANIA Z PRODUKTU ZGODNIE Z PRZEPISAMI I PRZYJMUJE DO WIADOMOŚCI, ŻE JEST ZOBOWIĄZANY DO ZAPEWNIENIA ZGODNOŚCI UŻYCIA PRODUKTU Z PRZEPISAMI. W SZCZEGÓLNOŚCI UŻYTKOWNIK JEST ZOBOWIĄZANY DO KORZYSTANIA Z PRODUKTU W SPOSÓB, KTÓRY NIE NARUSZA PRAW STRON TRZECICH, DOTYCZĄCYCH NA PRZYKŁAD WIZERUNKU KOMERCYJNEGO, WŁASNOŚCI INTELEKTUALNEJ LUB OCHRONY DANYCH I PRYWATNOŚCI. UŻYTKOWNIK NIE BĘDZIE UŻYWAĆ PRODUKTU DO CELÓW ZABRONIONYCH, TAKICH JAK OPRACOWANIE LUB PRODUKCJA BRONI MASOWEGO RAŻENIA ALBO BRONI CHEMICZNEJ LUB BIOLOGICZNEJ ORAZ DZIAŁANIA ZWIĄZANE Z WYBUCHOWYMI MATERIAŁAMI NUKLEARNYMI, NIEBEZPIECZNYM NUKLEARNYM CYKLEM PALIWOWYM LUB ŁAMANIEM PRAW CZŁOWIEKA.

W PRZYPADKU NIEZGODNOŚCI NINIEJSZEGO PODRĘCZNIKA Z OBOWIĄZUJĄCYM PRAWEM WYŻSZY PRIORYTET BĘDZIE MIAŁO OBOWIĄZUJĄCE PRAWO.


**Informacje dotyczące przepisów**

---

**Te klauzule dotyczą tylko produktów z odpowiednimi oznaczeniami lub etykietami.**

---

**Deklaracja zgodności z dyrektywami UE**


 Ten produkt i ewentualnie dostarczone razem z nim akcesoria oznaczone symbolem „CE” potwierdzającym zgodność z odpowiednimi ujednoliconymi normami europejskimi, uwzględnionymi w dyrektywie 2014/30/EU (EMCD) i dyrektywie 2011/65/EU (RoHS).

Uwaga: Produkty przystosowane do napięcia wejściowego 50–1000 V AC lub 75–1500 V DC są zgodne z dyrektywą 2014/35/EU (LVD), a pozostałe produkty są zgodne z dyrektywą 2001/95/EC (GPSD). Należy sprawdzić specyfikacje zasilania urządzenia.

Ostrzeżenie: To jest produkt klasy A. W budynkach mieszkalnych ten produkt może powodować zakłócenia radiowe. W takich okolicznościach użytkownik może być zobowiązany do zastosowania adekwatnych środków zaradczych.



Dyrektywa 2012/19/EU w sprawie zużytego sprzętu elektrycznego i elektronicznego (WEEE):

 Produktów oznaczonych tym symbolem nie wolno utylizować na obszarze Unii Europejskiej jako niesegregowane odpady komunalne. Aby zapewnić prawidłowy recykling tego produktu, należy zwrócić go do lokalnego dostawcy przy zakupie równoważnego nowego urządzenia lub utylizować go w wyznaczonym punkcie selektywnej zbiórki odpadów. Aby uzyskać więcej informacji, zobacz: [www.recyclethis.info](http://www.recyclethis.info).



Rozporządzenie 2023/1542 UE dotyczące baterii: Ten produkt zawiera baterię i jest zgodny z rozporządzeniem (UE)

2023/1542. Baterii nie wolno utylizować na obszarze Unii Europejskiej jako niesegregowanych odpadów komunalnych. Aby uzyskać informacje dotyczące baterii, skorzystaj z dokumentacji produktu. Bateria jest oznaczona tym symbolem, który może także zawierać litery wskazujące na zawartość kadmu (Cd) i ołowiu (Pb). Aby zapewnić prawidłowy recykling

baterii, należy zwrócić ją do dostawcy lub przekazać do wyznaczonego punktu zbiórki. Aby uzyskać więcej informacji, zobacz [www.recyclethis.info](http://www.recyclethis.info).

### **Zalecenia dotyczące bezpieczeństwa**

Te zalecenia umożliwiają prawidłowe korzystanie z produktu i zapobieganie zagrożeniu użytkownikom lub zniszczeniu wyposażenia. Przed użyciem urządzenia należy przeczytać wszystkie zalecenia dotyczące bezpieczeństwa.

### **Przepisy i rozporządzenia**

Urządzenie powinno być użytkowane zgodnie z lokalnymi przepisami, rozporządzeniami dotyczącymi korzystania z wyposażenia elektrycznego i przepisami przeciwpożarowymi.

### **Transport**

- Podczas transportu urządzenie powinno być umieszczone w oryginalnym lub podobnym opakowaniu.
- Należy chronić urządzenie przed upadkiem lub uderzeniami mechanicznymi. Należy chronić urządzenie przed zakłóceniami magnetycznymi.

### **Bezpieczne korzystanie z urządzeń elektrycznych**

- **PRZESTROGA:** Jeżeli konieczna jest wymiana bezpieczników, należy używać bezpieczników tego samego typu, aby ograniczyć ryzyko pożaru lub porażenia prądem elektrycznym.
- Jeśli bezpiecznik jest podłączony do przewodu neutralnego i uruchomienie bezpiecznika do podwójnego bieguna/neutralnego, części urządzenia, które pozostają pod napięciem, mogą stanowić zagrożenie podczas serwisowania po zadziałaniu bezpiecznika.
- Urządzenie musi być podłączone do uzziemionego gniazda sieci elektrycznej.
- Gniazdo sieci elektrycznej powinno być zainstalowane w łatwo dostępnym miejscu w pobliżu urządzenia.
- Nieosłoniętych elementów urządzenia (takich jak metalowe styki złączy) można dotykać nie wcześniej niż pięć minut po wyłączeniu zasilania, ponieważ należy poczekać na usunięcie ładunków elektrycznych.
- Jeżeli urządzenie jest podłączone do sieci

elektrycznej przewodem zasilającym, należy upewnić się, że przewód i złącza są przystosowane do napięcia sieci.

- Produkt powinien być użytkowany zgodnie z rozporządzeniami dotyczącymi bezpiecznego korzystania z urządzeń elektrycznych, obowiązującymi w danym kraju lub regionie.
- Nie wolno dopuścić do rozlania cieczy na urządzenie. Nie wolno ustawiać na urządzeniu naczyń napełnionych cieczą, takich jak wazy.

### **Bateria**

Ostrzeżenie:

- **PRZESTROGA:** Zainstalowanie nieodpowiedniej baterii może spowodować wybuch.
- Zainstalowanie nieodpowiedniej baterii może spowodować zagrożenie (dotyczy to na przykład niektórych baterii litowych).
- Wrzucenie baterii do ognia lub rozgrzanego pieca albo zgniecenie lub przecięcie baterii może spowodować wybuch.
- Należy chronić produkt przed ekstremalnie wysokimi temperaturami (np. ogniem lub rozgrzaniem piekarnikiem), które mogą spowodować wybuch baterii albo wyciek palnej cieczy lub gazu z baterii.
- Należy chronić produkt przed kontaktem z gorącymi zbiornikami, pralkami i zbiornikami ciśnieniowymi.
- Zużyte baterie należy utylizować zgodnie z instrukcjami.
- Urządzenie nie powinno być używane w lokalizacjach, w których mogą przebywać dzieci.

### **Ochrona przeciwpożarowa**

- Nie wolno umieszczać na urządzeniu źródeł nieosłoniętego płomienia, takich jak zapalone świece.
- W przypadku urządzenia z otworami wentylacyjnymi nie wolno przykrywać otworów wentylacyjnych przedmiotami, takimi jak gazety, obrusy lub zasłony, ponieważ powoduje to ograniczenie wentylacji. Nie wolno umieszczać urządzenia na łóżku, sofie lub dywanie w sposób powodujący blokadę otworów w obudowie urządzenia.

### **Zasilanie**

- Należy upewnić się, że wtyczka jest

prawidłowo podłączona do gniazda sieci elektrycznej.

- NIE wolno podłączać wielu urządzeń do jednego zasilacza, ponieważ może to spowodować przegrzanie lub zagrożenie pożarowe na skutek przeciążenia.
- Symbol „+” oznacza dodatnie styki prądu stałego w urządzeniu. Symbol „-” oznacza ujemne styki prądu stałego w urządzeniu.

### **Instalacja**

- Urządzenie należy zainstalować zgodnie z instrukcjami podanymi w tym podręczniku.
- Aby zapobiec zranieniu, należy prawidłowo przymocować urządzenie zgodnie z instrukcjami instalacyjnymi.
- Nie wolno instalować urządzenia na niestabilnym podłożu. Urządzenie może upaść i spowodować poważne zranienie lub zgon.

### **Zabezpieczenia systemu**

- Użytkownik jest zobowiązany do skonfigurowania wszystkich haseł i ustawień zabezpieczeń urządzenia oraz ochrony własnej nazwy użytkownika i hasła.

### **Konserwacja**

- Jeżeli produkt nie działa prawidłowo, skontaktuj się z dystrybutorem lub najbliższym centrum serwisowym. Producent nie ponosi odpowiedzialności za problemy spowodowane przez nieautoryzowane prace naprawcze lub konserwacyjne.
- Należy przetrzeć urządzenie ostrożnie czystą ściereczką zwilżoną niewielką ilością etanolu, jeżeli jest to konieczne.
- Użycie urządzenia niezgodnie z zaleceniami może spowodować anulowanie gwarancji producenta.
- Jeżeli konieczne jest samodzielne podłączenie urządzenia, należy użyć przewodu zasilającego zgodnego z parametrami elektrycznymi podanymi na etykiecie urządzenia. Usuń izolację przewodu na odpowiednim odcinku standardowym narzędziem do zdejmowania izolacji z przewodów. Aby zapobiec poważnym konsekwencjom, należy zapewnić odpowiednią długość odcinka przewodu bez izolacji.

### **Warunki otoczenia**

- Należy upewnić się, że warunki otoczenia

spełniają wymagania określone przez producenta urządzenia. Podczas użytkowania urządzenia temperatura otoczenia powinna mieścić się w zakresie od  $-20^{\circ}\text{C}$  do  $+50^{\circ}\text{C}$ , a wilgotność względna powinna być niższa od 90%.

- NIE wolno kierować obiektywu w stronę słońca lub innego źródła intensywnego światła.
- Należy chronić urządzenie przed silnym promieniowaniem elektromagnetycznym.

### **Poważne awarie**

- Przed podłączeniem, instalacją lub demontażem urządzenia należy odłączyć jego zasilanie.
- Jeżeli urządzenie wydziela dym lub intensywny zapach albo emituje hałas, należy niezwłocznie wyłączyć zasilanie i odłączyć przewód zasilający, a następnie skontaktować się z centrum serwisowym.

### **Synchronizacja czasu**

- Podczas pierwszego dostępu można ręcznie ustawić czas urządzenia, jeżeli nie jest on zsynchronizowany z czasem sieci. Okno ustawień czasu urządzenia można wyświetlić przy użyciu przeglądarki internetowej lub oprogramowania klienckiego.

### **Adres producenta**

Lokal 313, Kompleks B, Budynek 2, Ulica 399 Danfeng Road, Region dystryktu Xixing, Dystrykt Binjiang, Hangzhou, Zhejiang 310052, Chiny

Hangzhou Microimage Software Co., Ltd.

**UWAGA DOTYCZĄCA ZGODNOŚCI Z PRZEPISAMI:** Produkty termowizyjne mogą podlegać kontroli eksportu w różnych krajach lub regionach, takich jak Stany Zjednoczone, Wielka Brytania lub kraje członkowskie Unii Europejskiej, które sygnowały porozumienie Wassenaar. Jeżeli planowane jest przesyłanie, eksportowanie lub reeksportowanie produktów termowizyjnych przez granice państw, należy skonsultować się z ekspertem w dziedzinie prawa lub zgodności z przepisami albo lokalnymi urzędami administracji państwowej, aby uzyskać informacje dotyczące wymaganej licencji eksportowej.

**i** Aspectul produsului este doar de referință și poate varia de produsul real.

## 1 Introducere

### 1.1 Prezentare generală

Camera termografică tip cutie de rețea (denumită în continuare „dispozitivul”) integrează funcțiile de supraveghere de la distanță prin internet, server video și măsurare a temperaturii în timp real.

Transmisiunea de la distanță, previzualizarea și configurarea se pot efectua prin intermediul browserelor și al clienților. Se aplică în principal în termografia industrială, integrarea cu protecție împotriva exploziilor, integrarea roboților etc.

## 2 Descrierea aspectului

### 2.1 Prezentare Cameră (Pagina 1, 2 – A)

Aspectul poate varia în funcție de diferite modele. Vă rugăm să luați produsul real ca referință.

Nr.	Componentă	Descriere
1	Obiectiv termic	Afișează imaginea termică.
2	Orificii cu filet M3	Montarea șuruburilor.
3	Indicator rețea	<ul style="list-style-type: none"> <li>Intermitent: se transmit date de rețea.</li> <li>Solid: rețeaua este conectată fără transmisie de date.</li> </ul>
4	Priză USB de tip C	Transmiteți date cu un cablu USB-C către USB-A.
5	Butonul de resetare	Apăsați butonul Resetare și apoi conectați sursa de alimentare. Țineți apăsat butonul Resetare timp de 10 secunde și apoi eliberați butonul, iar dispozitivul se va restabili la setările din fabrică.

6	Priză de conexiuni	Conține conectori cu 12 pini.
7	Indicator de putere	<ul style="list-style-type: none"> <li>Verde solid: Operarea dispozitivului.</li> <li>Roșu continuu: Pornirea dispozitivului.</li> </ul>
8	Interfață rețea	RJ-45, comunicații în rețea.
9	Cablu de rețea	La conectarea cablului la portul de rețea, strângeți șuruburile pe cablu ca să-l fixați.
10	Blocuri de conexiuni	Introduceți blocul de conexiuni în priză de conexiuni și conectați firele conform descrierii definiției pinului.

### 2.2 Definiția pinului (Pagina 2 – B)

Nr.	Semnal	Descriere
1	Putere	DC 10~30 V putere de intrare.
2	GND	
3	UART_R	Comunicații seriale UART pentru depanarea dispozitivului.
4	UART_T	
5	UART_P	
6	AL_IN	1 intrare de alarmă; 1 ieșire de alarmă. Sursa de alimentare externă pentru ieșirea de alarmă trebuie să fie < DC 60 V, 1,3 A.
7	AL_OUTA	
8	AL_OUTB	
9	RS-485+	Comunicații port serial RS-485.
10	RS-485-	
11	GND	Ieșire analogică video local.
12	CVBS	

## 3 Activarea și accesarea camerei de rețea

Vizitați [www.hikmicrotech.com](http://www.hikmicrotech.com) pentru a descărca și instala HIKMICRO Studio.

Consultați manualul de utilizare al dispozitivului pentru operațiuni detaliate.

#### 4 Instalarea (Pagina 3 – C)

 Pericol:

- Întrerupeți complet alimentarea cu curent atunci când instalați dispozitivul, îl conectați la, respectiv îl deconectați de la priză, din considerente de siguranță a personalului și a dispozitivului.
- Asigurați-vă că dispozitivul este bine împământat.
- Dispozitivul nu este rezistent la apă. Nu expuneți dispozitivul acțiunii directe a razelor soarelui și nu-l instalați independent în exterior.

##### 4.1 Instalarea pe suporturi (Pagina 3 – C.1)

**Notă.** Placa adaptorului și șurubul 1/4-20 UNC din ilustrația de mai jos nu sunt furnizate împreună cu dispozitivul. Alegeți dacă pregătiți placa adaptorului și șurubul 1/4-20 UNC pe baza aplicației actuale.

**Pași:**

1. Utilizați șuruburile M3 × 6 (①) din pachet pentru a atașa placa adaptorului (②) la dispozitiv.
2. Instalați dispozitivul utilizând un șurub 1/4-20 UNC (③).

##### 4.2 Instalarea directă (Pagina 3 – C.2)

Când instalați dispozitivul direct pe suprafața de montare, puteți înșuruba șurubul M3 (⑤) în orificiul cu filet M3 (④; 2,5 mm) pentru a conecta dispozitivul la suprafața de montare.

#### 5 Design impermeabilă (Pagina 4 – D)

Atunci când integrați dispozitivul, puteți alege o metodă de proiectare impermeabilă bazată pe aspectul actual al dispozitivului.

- Pentru dispozitivul cu model I, consultați pagina 4 – D.1 și utilizați inelul de etanșare tip „O” (①) pentru design impermeabil.
- Pentru dispozitivul cu model II, consultați pagina 4 – D.2 și utilizați inelul de etanșare (②) pentru design impermeabil.

#### 6 Mai multe operațiuni (Pagina 4 – E)

Scanați codul QR de mai jos pentru a obține manualul de utilizare pentru mai multe operațiuni.

**Conformitatea cu reglementările și informații privind siguranța**

Citiți cu atenție toate informațiile și instrucțiunile din acest document înainte de a utiliza dispozitivul și păstrați-l pentru referințe ulterioare.

Pentru mai multe informații și instrucțiuni despre dispozitiv, vă rugăm să vizitați site-ul nostru web la <https://www.hikmicrotech.com>. De asemenea, puteți consulta alte documente (dacă există) care însoțesc dispozitivul sau puteți scana codul QR (dacă există) de pe ambalaj pentru a obține mai multe informații.

#### PRECIZĂRI LEGALE

ÎN MĂSURA MAXIMĂ PERMISĂ DE LEGISLAȚIA APLICABILĂ, ACEST MANUAL ȘI PRODUSUL DESCRIS, ÎMPREUNĂ CU HARDWARE-UL, SOFTWARE-UL ȘI FIRMWARE-UL SĂU, SUNT FURNIZATE „CA ATARE” ȘI „CU TOATE DEFECTELE ȘI ERORILE”. HIKMICRO NU OFERĂ GARANȚII, EXPLICITE SAU IMPLICITE, INCLUSIV, FĂRĂ LIMITARE, VANDABILITATE, CALITATE SATISFĂCĂTOARE SAU ADECVARE PENTRU UN ANUMIT SCOP. UTILIZAREA PRODUSULUI DE CĂTRE DUMNEAVOASTRĂ ESTE PE PROPRIUL DUMNEAVOASTRĂ RISC. ÎN NICIUN CAZ HIKMICRO NU VA FI RĂSPUNZĂTOR FAȚĂ DE DVS. PENTRU ORICE DAUNE SPECIALE, CONSECVENTE, ACCIDENTALE SAU INDIRECTE, INCLUSIV, PRINTRE ALTELE, DAUNE PENTRU PIERDEREA PROFITURILOR DE AFACERI, ÎNTRERUPEREA AFACERII, SAU PIERDEREA DATELOR, CORUPȚIA SISTEMELOR SAU PIERDEREA DOCUMENTAȚIEI, FIE CĂ SE BAZEAZĂ PE ÎNCĂLCAREA CONTRACTULUI, DELICT (INCLUSIV NEGLIJENȚĂ), RĂSPUNDEREA PRODUSULUI SAU ÎN ALT MOD, ÎN LEGĂTURĂ CU UTILIZAREA PRODUSULUI, CHIAR DACĂ HIKMICRO A FOST INFORMAT CU PRIVIRE LA POSIBILITATEA UNOR ASTFEL DE DAUNE SAU PIERDERI. RECUNOAȘTEȚI CĂ NATURA INTERNETULUI ASIGURĂ RISCURI DE SECURITATE INERENTE, IAR HIKMICRO NU ÎȘI ASUMĂ NICIO RESPONSABILITATE PENTRU FUNCȚIONAREA ANORMALĂ, SCURGERI DE CONFIDENȚIALITATE SAU ALTE DAUNE REZULTATE DIN ATACURILE CIBERNETICE, ATACURILE HACKERILOR, INFECȚIILOR CU VIRUȘI SAU ALTE RISCURI DE SECURITATE PE INTERNET; CU TOATE ACESTE, HIKMICRO

VA OFERI ASISTENȚĂ TEHNICĂ ÎN TIMP UTIL, DACĂ ESTE NECESAR.


SUNTEȚI DE ACORD SĂ UTILIZAȚI ACEST PRODUS ÎN CONFORMITATE CU TOATE LEGILE APLICABILE, DEVININD UNICUL RESPONSABIL PENTRU UTILIZAREA ÎN CONFORMITATE CU LEGEA APLICABILĂ. ÎN SPECIAL, SUNTEȚI RESPONSABIL, PENTRU UTILIZAREA ACESTUI PRODUS ÎNTR-UN MOD CARE NU ÎNCALCĂ DREPTURILE TERȚILOR, INCLUSIV, FĂRĂ LIMITARE, DREPTURILE DE PUBLICITATE, DREPTURILE DE PROPRIETATE INTELLECTUALĂ SAU PROTECȚIA DATELOR ȘI ALTE DREPTURI DE CONFIDENȚIALITATE. NU VEȚI UTILIZA ACEST PRODUS PENTRU UTILIZĂRI FINALE INTERZISE, INCLUSIV PENTRU DEZVOLTAREA SAU PRODUCEREA DE ARME DE DISTRUGERE ÎN MASĂ, DEZVOLTAREA SAU PRODUCEREA DE ARME CHIMICE SAU BIOLOGICE, ORICE ACTIVITĂȚI ÎN CONTEXTUL ORICĂRUI CICLU NUCLEAR EXPLOZIV SAU NESIGUR AL COMBUSTIBILULUI NUCLEAR SAU ÎN SPRIJINUL OAMENILOR ABUZURI DE DREPTURI.

ÎN CAZUL UNOR CONFLICTE ÎNTRE ACEST MANUAL ȘI LEGEA APLICABILĂ, ACESTA DIN URMĂ PREVALEAZĂ.

### **Informații de reglementare**

**Aceste clauze se aplică numai produselor care poartă marca sau informațiile corespunzătoare.**

### **Declarație de conformitate UE**

 Acest produs și, dacă este cazul, accesoriile furnizate sunt marcate cu „CE” și, prin urmare, sunt conforme cu standardele europene armonizate aplicabile enumerate în Directiva 2014/30/UE (EMCD) și Directiva 2011/65/UE (RoHS).

Notă: Produsele cu o tensiune de intrare cuprinsă între 50 și 1000 V c.a. sau 75 și 1500 V c.c. sunt conforme cu Directiva 2014/35/UE (LVD), iar restul produselor sunt conforme cu Directiva 2001/95/CE (GPSD). Verificați informațiile specifice privind sursa de alimentare pentru referință.

Avertizare: Acesta este un produs din Clasa A. Într-un mediu casnic, acest produs poate cauza interferențe radio, iar în acest caz, utilizatorul poate fi obligat să ia măsuri adecvate.



Directiva 2012/19/UE (directiva DEEE): Produsele marcate cu acest simbol nu pot fi eliminate ca deșeuri municipale nesortate în Uniunea

Europeană. Pentru o reciclare adecvată, returnați acest produs furnizorului local la achiziționarea unui echipament nou echivalent sau predați-l într-unul dintre punctele de colectare desemnate. Pentru mai multe informații vezi: [www.recyclethis.info](http://www.recyclethis.info).



Regulamentul (UE) 2023/1542

(Regulamentul privind bateriile):

Acest produs conține o baterie și respectă Regulamentul (UE)

2023/1542. Bateria nu poate fi

eliminată ca deșeu municipal

nesortat în Uniunea Europeană. Consultați documentația produsului pentru informații specifice despre baterie. Bateria este marcată cu acest simbol, care poate include litere pentru a indica cadmiul (Cd) sau plumbul (Pb). Pentru o reciclare corectă, returnați bateria furnizorului dvs. sau la un punct de colectare desemnat. Pentru mai multe informații, consultați: [www.recyclethis.info](http://www.recyclethis.info).



### **Instrucțiuni de siguranță**

Aceste instrucțiuni sunt menite să asigure că utilizatorul poate utiliza corect produsul pentru a evita pericolul sau pierderea proprietății. Vă rugăm să citiți cu atenție toate informațiile de siguranță înainte de utilizare.

### **Legi și reglementări**

Dispozitivul trebuie utilizat în conformitate cu legile locale, reglementările privind siguranța electrică și reglementările privind prevenirea incendiilor.

### **Transport**

- Păstrați dispozitivul în ambalajul original sau similar în timpul transportului.
- NU scăpați produsul și NU îl supuneți la șocuri fizice. Păstrați dispozitivul departe de interfața magnetică.

### **Siguranță electrică**

- ATENȚIE: Dacă siguranța dispozitivului poate fi înlocuită, înlocuiți-o numai cu o alta de același tip pentru a reduce riscul de incendiu sau de electrocutare.
- Dacă o siguranță este conectată la firul nul și apare o fuziune dublă pol/nul, părțile dispozitivului care rămân energizate ar putea

reprezenta un pericol în timpul întreținerii după operarea siguranței.

- Dispozitivul trebuie conectat la o priză de rețea împământată.
- Priza de curent trebuie să fie instalată în apropierea dispozitivului și trebuie să fie ușor accesibilă.
- Nu atingeți componentele neizolate (precum contactele metalice ale bornelor de intrare) și așteptați cel puțin 5 minute, întrucât poate exista electricitate și după oprirea dispozitivului.
- Dacă dispozitivul este alimentat prin terminale conectate la cablul de alimentare, asigurați tensiunea și cablarea corectă a terminalelor pentru conectarea la o rețea de alimentare.
- La utilizarea produsului, trebuie să respectați cu strictețe reglementările de siguranță electrică naționale și regionale.
- Dispozitivul nu trebuie să fie expus la picurare sau stropire cu apă și nu trebuie să fie așezate pe el obiecte pline cu lichide, cum ar fi vase.

### **Baterie**

Avertizare:

- **ATENȚIE:** Risc de explozie dacă bateria este înlocuită cu una de tip incorect.
- Înlocuirea necorespunzătoare a bateriei cu un tip incorect poate anula o protecție (de exemplu, în cazul unor tipuri de baterii cu litiu).
- Nu aruncați bateria în foc sau într-un cuptor încins și nici nu striviți sau tăiați mecanic bateria, deoarece aceasta poate provoca o explozie.
- Nu supuneți produsul la un mediu cu temperaturi extrem de ridicate, cum ar fi la foc sau la cuptor pentru a evita o eventuală explozie sau scurgerea de lichid sau gaz inflamabil.
- Nu supuneți produsul la vase încălzite, mașini de spălat sau vase sub presiune.
- Aruncați bateriile uzate în conformitate cu instrucțiunile.
- Acest echipament nu este adecvat pentru utilizarea în locații în care este posibil să fie prezenți copii.

### **Prevenire incendiu**

- Pe dispozitiv nu trebuie așezate surse de flacără deschisă, cum ar fi lumânări aprinse.
- Pentru dispozitivul cu orificii de ventilație, ventilația nu trebuie îngreunată prin

acoperirea orificiilor de ventilație cu obiecte precum ziare, fețe de masă și draperii. Orificiile nu trebuie să fie niciodată blocate prin așezarea dispozitivului pe un pat, o canapea, un covor sau o altă suprafață similară.

### **Alimentare electrică**

- Asigurați-vă că ștecherul este conectat corect la priza de curent.
- NU conectați mai multe dispozitive la un adaptor de alimentare pentru a evita pericolul de supraîncălzire sau de incendiu.
- + identifică terminalul (terminalele) pozitiv(e) al(e) echipamentului care este utilizat cu curent continuu sau care generează curent continuu. - identifică terminalul (terminalele) negativ(e) al(e) echipamentului care este utilizat cu curent continuu sau care generează curent continuu.

### **Instalare**

- Instalați dispozitivul în conformitate cu instrucțiunile din acest manual.
- Pentru a preveni rănirea, acest dispozitiv trebuie să fie fixat ferm de suprafața de instalare, în conformitate cu instrucțiunile de instalare.
- Nu așezați niciodată echipamentul într-un loc instabil. Echipamentul poate cădea, provocând vătămări corporale grave sau chiar moartea.

### **Securitatea sistemului**

- Vă rugăm să înțelegeți că aveți responsabilitatea de a configura toate parolele și alte setări de securitate ale dispozitivului și de a vă păstra numele de utilizator și parola.

### **Întreținere**

- În cazul în care produsul nu funcționează corect, vă rugăm să contactați dealerul sau cel mai apropiat centru de service. Nu ne asumăm nicio responsabilitate pentru problemele cauzate de reparații sau întreținere neautorizate.
- Ștergeți ușor aparatul cu o cârpă curată și o cantitate mică de etanol, dacă este necesar.
- În cazul în care echipamentul este utilizat într-un mod care nu este specificat de producător, protecția oferită de dispozitiv poate fi afectată.
- Dacă este necesar să cablați dvs. dispozitivul, selectați cablul corespunzător

pentru alimentarea electrică în conformitate cu parametrii electrici specificați pe eticheta dispozitivului. Dezizolați cablul cu un dezizolator standard în poziția corespunzătoare. Pentru a evita eventuale consecințe grave, lungimea cablului dezizolat trebuie să fie corespunzătoare și conductorii nu trebuie expuși.

### **Utilizarea mediului**

- Asigurați-vă că mediul de funcționare îndeplinește cerințele dispozitivului. Temperatura de funcționare trebuie să fie de la -20 °C la 50 °C (de la -4 °F la 122 °F), iar umiditatea de funcționare trebuie să fie mai mică de 90%.
- NU îndreptați obiectivul la soare sau la orice altă lumină strălucitoare.
- NU expuneți dispozitivul la radiații electromagnetice ridicate.

### **Urgență**

- Asigurați-vă că, înainte de a conecta, a instala sau a dezasambla dispozitivul, acesta a fost, în prealabil, deconectat de la sursa de alimentare electrică.
- Dacă de la dispozitiv apar fum, miros sau zgomot, opriți imediat alimentarea, deconectați cablul de alimentare și contactați centrul de service.

### **Sincronizarea orei**

- Setați ora dispozitivului manual când îl porniți pentru prima dată dacă ora locală nu este sincronizată cu cea a rețelei. Accesați dispozitivul prin intermediul browserului web/software-ului clientului și accesați interfața pentru setările de timp.

### **Adresa de fabricație**

Camera 313, Unitatea B, Clădirea 2, 399  
Danfeng Road, subdistrictul Xixing, districtul  
Binjiang, Hangzhou, Zhejiang 310052, China  
Hangzhou Microimage Software Co., Ltd.

intenționați să transferați, să exportați, să reexportați produsele din seria termică între diferite țări.

NOTIFICARE DE CONFORMITATE: Produsele din seria termică pot fi supuse controalelor exporturilor în diferite țări sau regiuni, inclusiv, fără limitare, Statele Unite ale Americii, Uniunea Europeană, Regatul Unit și/sau alte țări membre ale Aranjamentului de la Wassenaar. Vă rugăm să consultați expertul juridic sau de conformitate profesional sau autoritățile administrației locale pentru orice cerințe necesare privind licența de export dacă

**i** Vzhľad produktu je len orientačný a môže sa líšiť od skutočného produktu.

## 1 Úvod

### 1.1 Prehľad

Termografická sieťová skrinková kamera (ďalej len „zariadenie“) integruje funkcie vzdialeného internetového dohľadu, video serveru a merania teploty v reálnom čase.

Prostredníctvom prehliadačov a klientov je možné realizovať diaľkový prenos, náhľad a konfiguráciu. Uplatňuje sa najmä v priemyselnej termografii, na integráciu v prostredí s ochranou proti výbuchu, na integráciu v prostredí robotov atď.

## 2 Popis vzhľadu

### 2.1 Prehľad kamery (strana 1, 2 – A)

Vonkajší vzhľad sa pri rôznych modeloch môže líšiť. Na referenčné účely použite skutočný výrobok.

Číslo	Komponent	Popis
1	Termografický objektív	Zobrazenie termografického obrazu.
2	Otvor so závitom M3	Montáž skrutky.
3	Indikátor siete	<ul style="list-style-type: none"> <li>Blikanie: Prenos sieťových údajov.</li> <li>Svieti bez prerušenia: Sieť je pripojená bez prenosu údajov.</li> </ul>
4	Zásuvka USB typu C	Prenášajte údaje pomocou kábla USB-C na USB-A.
5	Tlačidlo obnovenia nastavení	Stlačte tlačidlo obnovenia nastavení a potom pripojte napájanie. Stlačte tlačidlo obnovenia nastavení na 10

		s a voľnité ho, čím sa obnovia nastavenia zariadenia z výroby.
6	Svorkovnicová zásuvka	Obsahuje konektory s 12 kolíkmi.
7	Indikátor napájania	<ul style="list-style-type: none"> <li>Neprerušovaná zelená: Činnosť zariadenia.</li> <li>Neprerušovaná červená: Spustenie zariadenia.</li> </ul>
8	Sieťové rozhranie	RJ-45, sieťová komunikácia.
9	Sieťový kábel	Pri pripájaní kábla k sieťovému portu utiahnite skrutky na káblí, aby ste ho zaistili.
10	Svorkovnica	Zasuňte Svorkovnicu do svorkovnicovej zásuvky a spojte káble podľa definície kolíkov.

### 2.2 Definícia kolíkov (strana 2 – B)

Číslo	Signál	Opis
1	Napájanie	Vstupné napájanie DC 10~30 V.
2	UZEMNENIE	
3	UART_R	Sériová komunikácia UART na ladenie zariadenia.
4	UART_T	
5	UART_P	
6	AL_IN	1 vstup alarmu; 1 výstup alarmu. Externé napájanie pre výstup alarmu musí byť < 60 V DC, 1,3 A.
7	AL_OUTA	
8	AL_OUTB	

9	RS-485+	Sériová komunikácia RS-485.
10	RS-485-	
11	UZEMNENIE	Analogový výstup miestneho videa.
12	CVBS	

### 3 Aktivácia a prístup k sieťovej kamere

Navštívte [www.hikmicrotech.com](http://www.hikmicrotech.com) a stiahnite si a nainštalujte aplikáciu HIKMICRO Studio. Podrobný návod na obsluhu nájdete v návode na používanie zariadenia.

### 4 Inštalácia (strana 3 – C)

#### ⚠️ Nebezpečenstvo:

- Pri montáži, pripájaní alebo odpájaní zariadenia odpojte celé napájanie, aby ste zabezpečili bezpečnosť personálu a zariadenia.
- Uistite sa, že je zariadenie správne uzemnené.
- Zariadenie nie je vodotesné. Nevystavujte zariadenie priamemu slnečnému žiareniu ani ho neinštalujte nezávisle vo vonkajšom prostredí.

#### 4.1 Inštalácia na držiaky (strana 3 – C.1)

**Poznámka.** Doska adaptéra a skrutka 1/4-20 UNC na obrázku nižšie sa nedodávajú so zariadením. Podľa aktuálneho použitia vyberte, či chcete pripraviť dosku adaptéra a skrutku 1/4-20 UNC.

#### **Postup:**

1. Použite skrutky M3 × 6 (①) v balení na pripevnenie dosky adaptéra (②) k zariadeniu.
2. Zariadenie nainštalujte pomocou skrutky 1/4-20 UNC (③).

#### 4.2 Inštalácia priamo (strana 3 – C.2)

Pri priamej inštalácii zariadenia na montážnu povrch môžete zaskrutkovať skrutku M3 (⑤) do otvoru so závitom M3 (④) hĺbka: 2,5 mm) na pripojenie zariadenia k montážnemu povrchu.

### 5 Vodotesný spôsob (strana 4 – D)

Pri integrácii zariadenia si môžete vybrať vodotesný spôsob na základe skutočného vzhľadu zariadenia.

- Pri modeli I zariadenia si pozrite stranu 4 – D.1 a pre vodotesný spôsob použite tesniaci krúžok tvaru O (①).

- Pri modeli II zariadenia si pozrite stranu 4 – D.2 a pre vodotesný spôsob použite tesniaci krúžok (②).

### 6 Ďalšie operácie (strana 4 – E)

Naskenujte kód QR, aby ste získali návod na používanie s ďalšími informáciami.

#### Súlad s regulačnými predpismi a bezpečnostné informácie

Pred použitím zariadenia si pozorne prečítajte všetky informácie a pokyny v tomto dokumente a uschovajte si ho na ďalšie použitie.

Ďalšie informácie o zariadení a pokyny nájdete na našej webovej stránke <https://www.hikmicrotech.com>. Ďalšie informácie získate aj z iných dokumentov (ak existujú) priložených k zariadeniu alebo naskenovaním kódu QR (ak existuje) na obale.

#### PRÁVNE VYHLÁSENIE O VYLÚČENÍ ZODPOVEDNOSTI

V MAXIMÁLNOM MOŽNOM ROZSAHU, KTORÝ POVOĽUJÚ PRÍSLUŠNÉ PRÁVNE PREDPISY, SA TÁTO PRÍRUČKA A OPÍSANÝ PRODUKT SPOLU S JEHO HARDVÉROM, SOFTVÉROM A FIRMVÉROM, DODÁVAJÚ V STAVE „AKO SÚ“ A „SO VŠETKÝMI PORUCHAMI A CHYBAMI“. SPOLOČNOSŤ HIKMICRO NEPOSKYTUJE ŽIADNE VÝSLOVNÉ ANI PREDPOKLADANÉ ZÁRUKY, OKREM INÉHO O PREDAJNOSTI, USPOKOJIVEJ KVALITE ALEBO VHODNOSTI NA KONKRÉTNY ÚČEL. POUŽÍVANIE PRODUKTU JE NA VAŠE VLASTNÉ RIZIKO. SPOLOČNOSŤ HIKMICRO V ŽIADNOM PRÍPADE NENESIE ZODPOVEDNOSŤ ZA ŽIADNE OSOBITNÉ, NÁSLEDNÉ, NÁHODNÉ ALEBO NEPRIAME ŠKODY, OKREM INÉHO VRÁTANE ŠKÔD Z ÚSĹÉHO PODNIKATEĽSKÉHO ZISKU, PRERUŠENIA PODNIKANIA, STRATY ÚDAJOV, POŠKODENIA SYSTÉMOV ALEBO STRATY DOKUMENTÁCIE, ČI UŽ NA ZÁKLADE PORUŠENIA ZMLUVY, PREČINU (VRÁTANE NEDBALOSTI), ZODPOVEDNOSTI ZA PRODUKT ALEBO INAK V SÚVISLOSTI S POUŽÍVANÍM PRODUKTU, A TO ANI V PRÍPADE, AK BOLA SPOLOČNOSŤ HIKMICRO UPOZORNENÁ NA MOŽNOSŤ TAKÝCHTO ŠKÔD.

UZNÁVATE, ŽE Z POVAHY INTERNETU VYPLÝVAJÚ INHERENTNÉ BEZPEČNOSTNÉ RIZIKÁ A SPOLOČNOSŤ HIKMICRO NENESIE ŽIADNU ZODPOVEDNOSŤ ZA

NEŠTANDARDNÚ PREVÁDZKU, ÚNIK OSOBNÝCH ÚDAJOV ANI ZA INÉ ŠKODY V DÔSLEDKU KYBERNETICKÉHO ÚTOKU, HAKERSKÉHO ÚTOKU, VÍRUSOVEJ INFEKČIE ALEBO INÝCH BEZPEČNOSTNÝCH RIZÍK SIETE INTERNET; V PRÍPADE POTREBY VŠAK SPOLOČNOSŤ HIKMICRO POSKYTNE VČASNÚ TECHNICKÚ PODPORU.


SÚHLASÍTE S POUŽÍVANÍM TOHTO PRODUKTU V SÚLADE SO VŠETKÝMI PRÍSLUŠNÝMI ZÁKONMI A NESIETE VÝHRADNÚ ZODPOVEDNOSŤ ZA ZABEZPEČENIE, ABY VAŠE POUŽÍVANIE BOLO V SÚLADE S PRÍSLUŠNÝMI ZÁKONMI. STE OBZVLÁŠŤ ZODPOVEDNÍ ZA POUŽÍVANIE TOHTO PRODUKTU SPÔSOBOM, KTORÝ NEPORUŠUJE PRÁVA TRETÍCH STRÁN, OKREM INÉHO PRÁVA PUBLICITY, PRÁVA DUŠEVNÉHO VLASTNÍCTVA, PRÁVA NA OCHRANU ÚDAJOV A INÉ PRÁVA NA OCHRANU SÚKROMIA. TENTO PRODUKT NESMIETE POUŽÍVAŤ NA ŽIADNE ZAKÁZANÉ ÚČELY VRÁTANE VÝVOJA ALEBO VÝROBY ZBRANÍ HROMADNÉHO NIČENIA, VÝVOJA ALEBO VÝROBY CHEMICKÝCH ALEBO BIOLOGICKÝCH ZBRANÍ, AKÝCHKOL'VEK AKTIVÍT V SÚVISLOSTI S AKOUKOL'VEK JADROVOU VÝBUŠNINOU ALEBO NEBEZPEČNÝM CYKLOM JADROVÉHO PALIVA, ALEBO NA PODPORU ZNEUŽÍVANIA ĽUDSKÝCH PRÁV.

V PRÍPADE AKÉHOKOL'VEK NESÚLADU MEDZI TOUTO PRÍRUČKOU A PRÍSLUŠNÝMI PRÁVNÝMI PREDPISMI MAJÚ PREDNOSŤ PRÍSLUŠNÉ PRÁVNE PREDPISY.

### Regulačné informácie

**Tieto ustanovenia platia len pre produkty s príslušným označením alebo údajom.**

### Vyhlasenie o zhode s predpismi EÚ

 Tento produkt a dodané príslušenstvo, ak je to relevantné, sú takisto označené značkou „CE“, takže sú v súlade s príslušnými harmonizovanými európskymi normami uvedenými v smernici 2014/30/EÚ (EMCD) a smernici 2011/65/EÚ (RoHS).

Poznámka: Produkty so vstupným napätím v rozsahu 50 až 1000 V striedavého prúdu alebo 75 až 1500 V jednosmerného prúdu sú v súlade so smernicou 2014/35/EÚ (LVD) a ostatné produkty sú v súlade so smernicou

2001/95/ES (GPSD). Prečítajte si informácie o konkrétnom zdroji napájania.

Upozornenie: Toto je produkt triedy A. V domácom prostredí môže tento produkt spôsobovať rádiové rušenie, v takom bude používateľ musieť vykonať primerané opatrenia.



Smernica 2012/19/EÚ (smernica o odpade z elektrických a elektronických zariadení):

Produkty označené týmto

symbolom sa v rámci Európskej únie nesmú likvidovať spolu s netriedeným komunálnym odpadom. Po zakúpení ekvivalentného nového zariadenia zrecyklujte produkt tým, že ho odovzdáte miestnemu dodávateľovi alebo ho zlikvidujete na určených zberných miestach. Ďalšie informácie nájdete na lokalite: [www.recyclethis.info](http://www.recyclethis.info).



Nariadenie (EÚ) 2023/1542 (nariadenie o batériách): Tento produkt obsahuje batériu a spĺňa nariadenie (EÚ) 2023/1542.



Batéria sa v rámci Európskej únie nesmie likvidovať spolu s netriedeným komunálnym odpadom. Konkrétne informácie o batérii nájdete v dokumentácii produktu. Batéria je označená týmto symbolom, ktorý môže obsahovať písmená označujúce obsah kadmia (Cd) alebo olova (Pb). Zrecyklujte batériu tým, že ju odovzdáte dodávateľovi alebo ju zlikvidujete na určenom zbernom mieste. Ďalšie informácie nájdete na lokalite: [www.recyclethis.info](http://www.recyclethis.info)

### Bezpečnostné pokyny

Tieto pokyny slúžia na zabezpečenie správneho používania produktu používateľom s cieľom predchádzať vzniku nebezpečenstva alebo majetkovým stratám. Pred použitím si pozorne prečítajte všetky bezpečnostné informácie.

### Právne predpisy a nariadenia

Zariadenie by sa malo používať v súlade s miestnymi zákonmi, predpismi o elektrickej bezpečnosti a protipožiarными predpismi.

### Preprava

- Pri preprave ponechajte zariadenie v pôvodnom alebo podobnom balení.
- Chráňte zariadenie pred pádom alebo nárazom. Zariadenie chráňte pred

magnetickým rušením.

### **Elektrická bezpečnosť**

- **POZOR:** Ak je možné vymeniť poistku zariadenia, vymeňte ju iba za rovnaký model, aby ste znížili riziko požiaru alebo úrazu elektrickým prúdom.
- Ak je poistka pripojená k nulovému vodiču a dôjde k dvojitému pólovému/neutrálnemu isteniu, časti zariadenia, ktoré zostanú pod napätím, môžu predstavovať nebezpečenstvo počas servisu po skončení činnosti poistky.
- Zariadenie musí byť pripojené k uzemnenej sieťovej zásuvke.
- Zásuvka sa musí nainštalovať v blízkosti zariadenia a musí byť ľahko dostupná.
- Nedotýkajte sa odkrytých komponentov (ako sú kovové kontakty prívodov) a počkajte aspoň 5 minút, pretože po vypnutí zariadenia môže byť stále prítomná elektrina.
- Ak je zariadenie napájané zo svoriek pripojených k napájaciemu káblu, zaistíte správne napätie a zapojenie svoriek na pripojenie k elektrickej sieti.
- Pri používaní produktu je potrebné, aby ste dôsledne dodržiavali elektroinštalčné bezpečnostné predpisy platné na celoštátnej a regionálnej úrovni.
- Zariadenie nesmie byť vystavené kvapkajúcim ani striekajúcim kvapalinám a na zariadenie sa nesmú umiestňovať žiadne predmety naplnené kvapalinou, napríklad vázy.

### **Batéria**

Upozornenie:

- **POZOR:** Riziko výbuchu v prípade výmeny batérie za nesprávny typ.
- Pri nevhodnej výmene batérie za nesprávny typ sa môže deaktivovať bezpečnostný prvok (napríklad pri niektorých typoch lítiových batérií).
- Batériu nekladajte do ohňa alebo horúcej rúry ani ju mechanicky nedrťte ani nerezte, pretože by to mohlo spôsobiť výbuch.
- Produkt nevystavujte prostrediu s mimoriadne vysokou teplotou, ako je oheň alebo rozohriata rúra, čo môže viesť k výbuchu alebo úniku horľavých kvapalín alebo plynov.
- Produkt nevystavujte pôsobeniu ohrevných nádob, práčky ani tlakových nádob.
- Použité batérie zlikvidujte podľa príslušných pokynov.
- Toto zariadenie nie je vhodné na používanie

na miestach, na ktorých sa môžu vyskytovať deti.

### **Predchádzanie požiarom**

- Na zariadenie sa nesmú umiestňovať žiadne zdroje otvoreného ohňa, napríklad zapálené sviečky.
- Ak má dané zariadenie ventilačné otvory, tieto ventilačné otvory sa nesmú znefunkčniť prekrytím ventilačných otvorov predmetmi, napríklad novinami, obrusmi alebo záclonami. Otvory nesmú byť nikdy zablokované umiestnením zariadenia na posteľ, pohovku, koberec alebo na iný podobný povrch.

### **Zdroj napájania**

- Skontrolujte, či je zástrčka správne pripojená k napájacej zásuvke.
- K jednému napájaciemu adaptéru NEPRIPÁJAJTE viacero zariadení, aby nedošlo k prehriatiu alebo riziku požiaru v dôsledku preťaženia.
- + označuje koncovky s kladnou polaritou v prípade zariadenia, s ktorým sa používa alebo ktoré vytvára jednosmerný prúd. – označuje koncovky so zápornou polaritou v prípade zariadenia, s ktorým sa používa alebo ktoré vytvára jednosmerný prúd.

### **Inštalácia**

- Zariadenie namontujte podľa pokynov v tejto príručke.
- Aby sa predišlo zraneniu, musí byť zariadenie bezpečne pripevnené k inštaláčnemu povrchu podľa inštaláčnych pokynov.
- Zariadenie nikdy neumiestňujte na nestabilné miesto. Zariadenie môže spadnúť, v dôsledku čoho môže dôjsť k vážnemu zraneniu alebo usmrteniu.

### **Zabezpečenie systému**

- Upozorňujeme, že ste zodpovední za konfiguráciu všetkých hesiel a ďalších bezpečnostných nastavení zariadenia a za uchovanie používateľského mena a hesla.

### **Údržba**

- Ak produkt nepracuje správne, obráťte sa na predajcu alebo na najbližšie servisné stredisko. Nepreberáme žiadnu zodpovednosť za problémy spôsobené neoprávnenou opravou alebo údržbou.
- V prípade potreby zariadenie jemne utrite čistou handričkou a malým množstvom etanolu.

- Ak sa zariadenie používa spôsobom, ktorý výrobca neuvádza, môže dôjsť k zníženiu ochrany poskytovanej zariadením.
- Ak zariadenie musíte pripojiť sami, vyberte príslušný kábel na napájanie podľa elektrických parametrov uvedených na zariadení. Odizolujte kábel pomocou štandardného odstraňovača izolácie káblov na príslušnom mieste. Aby sa predišlo vážnym následkom, dĺžka odizolovaného kábla musí byť primeraná a vodiče nesmú byť odkryté.

### **Prevádzkové prostredie**

- Zabezpečte, aby prevádzkové prostredie spĺňalo požiadavky zariadenia. Prevádzková teplota musí byť -20 °C až 50 °C (-4 °F až 122 °F) a prevádzková vlhkosť nesmie byť vyššia ako 90 % RH.
- Šošovkou NEMIESTE na slnko ani na žiadny iný silný zdroj svetla.
- Zariadenie NEVYSTAVUJTE silnému elektromagnetickému žiareniu.

### **Núdzový režim**

- Pred pripájaním, inštaláciou alebo demontážou zariadenia sa uistite, že je odpojené napájanie.
- Ak zo zariadenia vychádza dym, zápach alebo hluk, ihneď vypnite napájanie, odpojte napájací kábel a obráťte sa na servisné stredisko.

### **Synchronizácia času**

- Ak lokálny čas nie je synchronizovaný s časom siete, nastavte čas zariadenia pre prvý prístup manuálne. Zobrazte zariadenie vo webovom prehliadači/klientskom softvéri a prejdite do rozhrania nastavenia času.

### **Adresa výrobcu**

Miestnosť 313, Krídlo B, Budova 2, Ulica Danfeng 399, Obvod Xixing, Okres Binjiang, Hangzhou, Zhejiang 310052, Čína  
Hangzhou Microimage Software Co., Ltd.

poradte sa so svojim odborným expertom na legislatívu alebo súlad s predpismi alebo miestnymi úradmi verejnej správy, či existuje povinnosť mať exportné povolenie.

**POZNÁMKA O SÚLADE S PREDPISMI:**  
Produkty z radu teplocitlivých prístrojov môžu podliehať exportnej regulácii v rôznych krajinách alebo regiónoch vrátane napríklad Spojených štátov amerických, Európskej únie, Spojeného kráľovstva prípadne aj krajín Wassaenaarskeho usporiadania. Ak máte v úmysle prenášať, exportovať alebo re-exportovať produkty z radu teplocitlivých prístrojov cez hranice medzi rôznymi krajinami,

**i** Tampilan produk hanya untuk referensi dan dapat berbeda dari tampilan produk yang sebenarnya.

## 1 Pendahuluan

### 1.1 Gambaran Umum

Kamera kotak jaringan termografis (selanjutnya disebut “perangkat”) mengintegrasikan pengawasan internet jarak jauh, server video, dan fungsi-fungsi pengukuran suhu waktu-riil.

Transmisi jarak jauh, pratinjau, dan konfigurasi dapat diwujudkan melalui peramban dan klien. Terutama diaplikasikan dalam termografi industrial, integrasi antiledakan, integrasi robot, dll.

## 2 Deskripsi Tampilan

### 2.1 Ikhtisar Kamera (Halaman 1, 2 – A)

Penampilan dapat berbeda-beda menurut model. Gunakan produk yang sebenarnya sebagai referensi.

No.	Komponen	Deskripsi
1	Lensa Termal	Menampilkan citra termal.
2	Lubang Baut M3	Untuk memasang sekrup.
3	Indikator Jaringan	<ul style="list-style-type: none"> <li>Berkedip: Menransmisikan data jaringan.</li> <li>Solid: Jaringan terhubung tanpa transmisi data.</li> </ul>
4	Soket USB Tipe C	Kirim data dengan kabel USB-C ke USB-A.
5	Tombol Reset	Tekan tombol reset kemudian hubungkan catu daya. Tekan dan tahan tombol reset selama 10 detik lalu lepas tombol, dan perangkat akan kembali ke pengaturan pabrik.

6	Soket Terminal	Berisi 12 konektor pin.
7	Indikator Daya	<ul style="list-style-type: none"> <li>Hijau Pekat: Pengoperasian perangkat.</li> <li>Merah Solid: Pemulaian perangkat.</li> </ul>
8	Antarmuka Jaringan	RJ-45, komunikasi jaringan.
9	Kabel Jaringan	Ketika menghubungkan kabel ke port jaringan, kencangkan sekrup pada kabel agar aman.
10	Blok Terminal	Masukkan blok terminal ke dalam soket terminal, dan hubungkan kawat-kawat (dengan acuan) ke definisi pin.


### 2.2 Definisi Pin (Halaman 2 – B)

No.	Sinyal	Deskripsi
1	Daya	Masukan daya DC 10~30 V.
2	GND	
3	UART_R	Komunikasi serial UART, untuk pelacakan kesalahan perangkat.
4	UART_T	
5	UART_P	
6	AL_IN	1 masukan alarm; 1 keluaran alarm. Catu daya eksternal untuk keluaran alarm harus < DC 60 V, 1,3 A.
7	AL_OUTA	
8	AL_OUTB	
9	RS-485+	Komunikasi serial RS-485.
10	RS-485-	
11	GND	Keluaran analog video lokal.
12	CVBS	

## 3 Aktifkan dan Akses Kamera Jaringan

Kunjungi [www.hikmicrotech.com](http://www.hikmicrotech.com) untuk mengunduh dan menginstal HIKMICRO Studio. Lihat panduan pengguna perangkat untuk detail mengenai pengoperasian.

#### 4 Instalasi (Halaman 3 – C)

 Bahaya:

- Putuskan sambungan semua daya saat menginstal, menghubungkan atau memutus perangkat untuk memastikan keselamatan personel dan perangkat.
- Pastikan perangkat diarde dengan baik.
- Perangkat tidak anti air. Jangan memaparkan perangkat ke sinar matahari langsung atau memasang perangkat secara terpisah di lingkungan luar ruang.

##### 4.1 Memasang ke Braket (Halaman 3 – C.1)

**Catatan.** Papan adaptor dan sekrup 1/4-20 UNC dalam ilustrasi di bawah tidak diberikan bersama perangkat. Tentukan apakah harus mempersiapkan papan adaptor dan sekrup 1/4-20 UNC berdasarkan penggunaan aktual.

**Langkah-langkah:**

1. Gunakan sekrup M3 × 6 (①) dalam kemasan untuk melekatkan papan adaptor (②) ke perangkat.
2. Pasang perangkat menggunakan sekrup 1/4-20 UNC (③).

##### 4.2 Memasang Secara Langsung (Halaman 3 – C.2)

Ketika memasang perangkat ke permukaan pemasangan secara langsung, Anda dapat memutar sekrup M3 (⑤) ke dalam lubang baut M3 (④ depth: 2,5 mm) untuk menghubungkan perangkat ke permukaan pemasangan.

##### 5 Desain Anti-air (Halaman 4 – D)

Ketika mengintegrasikan perangkat, Anda dapat memilih metode desain anti-air berdasarkan penggunaan aktual perangkat Anda.

- Untuk perangkat model I, lihat halaman 4 – D.1 dan gunakan cincin penyegel bentuk O (①) untuk desain anti-air.
- Untuk perangkat model II, lihat halaman 4 – D.2 dan gunakan cincin penyegel (②) untuk desain anti-air.

##### 6 Operasi Lainnya (Halaman 4 – E)

Pindai kode QR untuk mendapatkan panduan pengguna untuk informasi pengoperasian lainnya.

#### Kepatuhan terhadap Peraturan dan Informasi Keselamatan

Baca semua informasi dan petunjuk dalam dokumen ini secara cermat sebelum menggunakan perangkat dan simpan jika sewaktu-waktu dibutuhkan.

Untuk informasi dan petunjuk lain tentang perangkat, kunjungi situs web kami di <https://www.hikmicrotech.com>. Lihat dokumen lain (jika ada) yang menyertai perangkat atau pindai kode QR (jika ada) pada kemasan untuk memperoleh informasi lain.

#### PENAFIAN HUKUM

SEPANJANG DIPERBOLEHKAN OLEH PERATURAN YANG BERLAKU, MANUAL INI DAN PRODUK YANG DIJELASKAN, BESERTA PERANGKAT KERAS, PERANGKAT LUNAK, DAN FIRMWARE, DISEDIAKAN "SEPERTI ADANYA" DAN "DENGAN SEMUA CACAT DAN KESALAHAN". HIKMICRO TIDAK MEMBERIKAN JAMINAN TERSURAT ATAU PUN TERSIRAT, TERMASUK TIDAK TERBATAS PADA, JAMINAN KOMERSIAL, KUALITAS MEMUASKAN, ATAU PUN KECOCOKAN UNTUK TUJUAN TERTENTU. PENGGUNAAN PRODUK OLEH ANDA ADALAH ATAS RISIKO ANDA SENDIRI. DALAM SEGALA HAL, HIKMICRO TIDAK BERTANGGUNG JAWAB KEPADA ANDA ATAS KERUSAKAN KHUSUS, IKUTAN, INSIDENTIL, ATAU TIDAK LANGSUNG, TERMASUK, ANTARA LAIN, KERUGIAN AKIBAT HILANGNYA LABA USAHA, TERGANGGUNYA USAHA, ATAU HILANGNYA DATA, KERUSAKAN SISTEM, ATAU HILANGNYA DOKUMEN, BAIK BERDASARKAN PELANGGARAN ATAS KONTRAK, TINDAKAN MELAWAN HUKUM (TERMASUK KELALAIAN), KEWAJIBAN PRODUK, ATAU LAINNYA, TERKAIT PENGGUNAAN PERANGKAT LUNAK, MESKIPUN HIKMICRO SUDAH DIBERITAHU ADANYA POTENSI KERUSAKAN ATAU KERUGIAN SEMACAM ITU. ANDA MENYATAKAN BAHWA SIFAT INTERNET MENGHADIRKAN RISIKO KEAMANAN TIDAK TERLIHAT, DAN HIKMICRO TIDAK BERTANGGUNG JAWAB ATAS ABNORMALITAS PENGOPERASIAN, KEBOCORAN PRIVASI, ATAU KERUSAKAN LAIN AKIBAT SERANGAN SIBER, SERANGAN

PERETAS, INFEKSI VIRUS, DAN RISIKO KEAMANAN INTERNET LAINNYA; AKAN TETAPI, HIKMICRO AKAN MENYEDIAKAN DUKUNGAN TEKNIS SECARA BERKALA JIKA DIBUTUHKAN.


ANDA SETUJU UNTUK MENGGUNAKAN PRODUK INI DENGAN MEMATUHI SEMUA PERATURAN YANG BERLAKU DAN ANDA SECARA PRIBADI BERTANGGUNG JAWAB MEMASTIKAN PENGGUNAAN OLEH ANDA MEMATUHI PERATURAN YANG BERLAKU. SECARA KHUSUS, ANDA BERTANGGUNG JAWAB MENGGUNAKAN PRODUK DENGAN CARA YANG TIDAK MELANGGAR HAK-HAK PIHAK KETIGA, TERMASUK TANPA BATASAN PADA, HAK PUBLISITAS, HAK KEKAYAAN INTELEKTUAL, ATAU PERLINDUNGAN DATA DAN HAK PRIVASI LAINNYA. ANDA DILARANG MENGGUNAKAN PRODUK UNTUK PENGGUNAAN AKHIR YANG DILARANG, TERMASUK PENGEMBANGAN ATAU PRODUKSI SENJATA PEMUSNAH MASSAL, PENGEMBANGAN ATAU PRODUKSI SENJATA KIMIA ATAU BIOLOGIS, AKTIVITAS YANG BERHUBUNGAN DENGAN BAHAN PELEDAK NUKLIR ATAU DAUR BAHAN BAKAR NUKLIR SECARA TIDAK AMAN ATAU UNTUK MENDUKUNG PELANGGARAN HAK ASASI MANUSIA.

JIKA TERJADI PERTENTANGAN ANTARA MANUAL INI DAN PERATURAN YANG BERLAKU, YANG DISEBUT TERAKHIR DIPRIORITASKAN.

### Informasi Terkait Peraturan

**Klausul ini hanya berlaku untuk produk yang memuat tanda atau informasi yang sesuai.**

#### Pernyataan Kepatuhan UE

 Produk ini dan, jika berlaku, juga aksesoris yang disediakan mencantumkan tanda "CE" dan oleh karena itu mematuhi standar Eropa yang diharmonisasi dan berlaku berdasarkan Direktif 2014/30/UE (EMCD) dan Direktif 2011/65/UE (RoHS).

Catatan: Produk dengan voltase masukan dalam rentang 50 hingga 1000 VAC atau 75 hingga 1500 VDC mematuhi Direktif 2014/35/UE (LVD), sementara produk lainnya mematuhi Direktif 2001/95/EC (GPSD). Harap memeriksa informasi catu daya spesifik sebagai referensi.

Peringatan: Produk ini merupakan produk kelas A. Di lingkungan rumah tinggal, produk ini dapat menimbulkan interferensi radio, dalam kondisi tersebut pengguna mungkin diharuskan untuk mengambil langkah-langkah yang memadai.



Direktif 2012/19/UE (WEEE Directive): Produk yang bertanda simbol ini tidak boleh dibuang sebagai sampah umum yang tidak

disortir di wilayah Uni Eropa. Agar dapat didaur ulang sesuai ketentuan, kembalikan produk ini ke toko terdekat saat Anda membeli peralatan pengganti yang baru, atau buang pada titik pengumpulan yang ditentukan. Untuk informasi lebih lengkap, kunjungi: [www.recyclethis.info](http://www.recyclethis.info).



Regulasi (EU) 2023/1542 (Regulasi Baterai): Produk ini berisi baterai dan sudah sesuai dengan Regulasi (EU)



2023/1542. Baterai tidak boleh dibuang sebagai limbah kota yang tidak sortir di Uni Eropa. Lihat dokumentasi produk untuk informasi spesifik tentang baterai. Baterai ditandai dengan simbol ini, dan dapat disertai huruf yang menunjukkan kadmium (Cd), atau timbal (Pb). Agar dapat didaur ulang sesuai ketentuan, kembalikan baterai ke toko atau titik pengumpulan yang ditentukan. Untuk informasi lebih lengkap, kunjungi: [www.recyclethis.info](http://www.recyclethis.info).

### Petunjuk Keselamatan

Instruksi ini ditujukan untuk memastikan pengguna dapat menggunakan produk dengan benar dan menghindari bahaya atau kerugian materiil. Baca semua informasi keselamatan dengan teliti sebelum menggunakan perangkat.

#### Undang-Undang dan Peraturan

Perangkat harus digunakan sesuai dengan undang-undang setempat, peraturan keselamatan kelistrikan, dan peraturan terkait pencegahan kebakaran.

#### Transportasi

- Kemas perangkat dalam kemasan aslinya atau yang serupa saat memindahkannya.
- Jangan menjatuhkan produk atau membuatnya terkena guncangan fisik.
- Jauhkan perangkat dari interferensi magnetis.

## Keamanan Listrik

- **PERHATIAN:** Jika sekring perangkat dapat diganti, dengan sekring dengan model yang sama untuk mengurangi risiko kebakaran atau tersengat listrik.
- Jika sebuah sekring terhubung ke kawat netral dan terjadi pelumeran double kutub/netral, komponen perangkat yang masih teraliri listrik mungkin akan menimbulkan bahaya selama bekerja setelah pengoperasian sekring.
- Perangkat harus terhubung ke stopkontak listrik yang dibumikan.
- Pasang lubang stopkontak di dekat peralatan dan di lokasi yang mudah dijangkau.
- Jangan menyentuh komponen yang terbuka (seperti kotak logam pada inlet) dan tunggu setidaknya 5 menit, karena arus listrik mungkin masih tersisa setelah perangkat dimatikan.
- Jika perangkat dihubungkan ke terminal oleh kabel daya, pastikan tegangan dan pengkabelan terminal sambungan ke catu daya sudah benar.
- Dalam menggunakan produk, Anda harus mematuhi secara ketat regulasi nasional dan daerah mengenai keselamatan listrik.
- Perangkat ini tidak boleh terkena tetesan atau percikan air, dan benda berisi air, seperti vas, tidak boleh diletakkan di atas perangkat.

## Baterai

Peringatan:

- **PERHATIAN:** Risiko ledakan jika baterai diganti dengan jenis yang salah.
- Penggantian baterai yang tidak tepat dengan baterai dari jenis yang salah dapat memengaruhi keamanan (misalnya, untuk beberapa jenis baterai litium).
- Jangan membuang baterai ke dalam api atau oven panas, atau menghancurkan atau memotongnya secara mekanis, karena dapat menyebabkan ledakan.
- Jauhkan produk dari lingkungan bersuhu sangat tinggi seperti api atau oven pemanas, untuk mencegah ledakan atau kebocoran cairan atau gas mudah menyala.
- Jauhkan produk dari bejana pemanas, mesin cuci, atau bejana tekan.
- Buang baterai bekas sesuai petunjuk.
- Peralatan ini tidak cocok untuk digunakan di lokasi anak-anak beraktivitas.

## Pencegahan Kebakaran

- Jangan menempatkan sumber nyala api terbuka, misalnya lilin yang menyala, di atas perangkat.
- Untuk perangkat dengan bukaan ventilasi, jangan menghalangi lubang ventilasi dengan benda-benda seperti koran, taplak, dan tirai. Jangan menghalangi lubang ventilasi dengan menempatkan perangkat di atas ranjang, sofa, atau permukaan sejenis lainnya.

## Catu Daya

- Pastikan steker terhubung dengan benar ke soket daya.
- **JANGAN** menghubungkan beberapa perangkat ke satu adaptor daya, untuk menghindari panas berlebih atau bahaya kebakaran karena muatan berlebih.
- + menandai terminal positif peralatan yang digunakan dengan, atau menghasilkan arus searah. - menandai terminal negatif peralatan yang digunakan dengan, atau menghasilkan arus searah.

## Pemasangan

- Pasang perangkat sesuai petunjuk di dalam manual ini.
- Untuk mencegah cedera, pasang perangkat ini dengan erat ke permukaan pemasangan sesuai petunjuk pemasangan.
- Jangan memasang peralatan ini di lokasi yang tidak stabil. Peralatan dapat terjatuh dan menyebabkan cedera serius hingga kematian.

## Keamanan Sistem

- Harap dipahami bahwa Anda bertanggung jawab untuk mengkonfigurasi semua kata sandi dan setelah keamanan lainnya terkait perangkat, serta menyimpan nama pengguna dan kata sandi Anda.

## Pemeliharaan

- Jika produk tidak berfungsi dengan baik, hubungi dealer atau pusat servis terdekat. Kami tidak bertanggung jawab atas masalah yang disebabkan oleh perbaikan atau perawatan yang tidak resmi.
- Usap perangkat secara lembut dengan kain bersih dan sedikit etanol, jika diperlukan.
- Jika perangkat digunakan dengan cara yang tidak sesuai dengan yang ditetapkan produsen, perlindungan dari perangkat mungkin tidak berfungsi maksimal.
- Jika perangkat memerlukan pengkabelan yang Anda lakukan sendiri, pilih kabel yang sesuai untuk menyuplai daya sesuai

parameter listrik yang tertera pada perangkat. Lepas selubung kabel dengan alat pelucut kabel standar pada posisi yang sesuai. Untuk menghindari dampak yang parah, panjang kawat yang dikelupas harus sesuai, dan konduktor tidak boleh terbuka.

### **Lingkungan Penggunaan**

- Pastikan lingkungan tempat beroperasi memenuhi ketentuan perangkat. Suhu pengoperasian harus -20 °C hingga 50 °C (-4 °F hingga 122 °F), dan kelembapan pengoperasian harus kurang dari 90% RH.
- JANGAN mengarahkan lensa ke matahari atau cahaya terang lainnya.
- JANGAN membiarkan perangkat terpapar radiasi elektromagnetik tinggi.

### **Darurat**

- Pastikan aliran daya dimatikan sebelum Anda menyambung, memasang, atau membongkar perangkat.
- Jika muncul asap, bau, atau derau dari perangkat, segera matikan perangkat, cabut kabel daya, lalu hubungi pusat servis.

### **SINKRONISASI WAKTU**

- Setel waktu perangkat secara manual untuk akses pertama kali jika waktu setempat tidak sinkron dengan waktu jaringan. Kunjungi perangkat melalui browser Web/perangkat lunak klien dan masuk ke antarmuka pengaturan waktu.

### **Alamat Produsen**

Ruang 313, Unit B, Gedung 2, Jalan Danfeng  
399, Sub-distrik Xixing, Distrik Binjiang,  
Hangzhou, Zhejiang 310052, China  
Hangzhou Microimage Software Co., Ltd.

**PENGUMUMAN KEPATUHAN:** Produk seri termal ini mungkin tunduk pada kontrol ekspor di berbagai negara atau kawasan, termasuk tak terbatas, Amerika Serikat, Uni Eropa, dan/atau negara-negara lain anggota Kesepakatan Wassenaar. Hubungi ahli hukum atau kepatuhan profesional atau otoritas pemerintah setempat untuk persyaratan lisensi impor yang dibutuhkan jika Anda bermaksud mentransfer, mengekspor, mengeksport kembali produk seri termal antar negara.

**i** ပစ္စည်း ပုံသဏ္ဍာန်သည် ကိုးကားရန်အတွက်သာဖြစ်ပြီး ကုန်ပစ္စည်းအစစ်နှင့် ကွဲပြားမှု ရှိနိုင်ပါသည်။

**1 နိဒါန်း**

**1.1 မြိုင်ဖော်ပြချက်**

အပူသုံး ပုံဖော်ကွန်ရက်ပုံး ကင်မရာ (ဤနေရာ၏ နောက်ပိုင်းတွင် "စက်" ဟု ညွှန်းဆိုထားသည်) သည် အဝေးမှနေ၍ အင်တာနက်သုံး စောင့်ကြည့်ခြင်း၊ ဝီဒီယို ဆာဗာအပြင် အချိန်နှင့်တစ်ပြေးညီ အပူချိန်တိုင်းတာခြင်း လုပ်ဆောင်ချက်များကို ပေါင်းစည်းထားခြင်းဖြစ်သည်။

အဝေးမှ ထုတ်လွှင့်ပေးပို့ခြင်း၊ အကြိုကြည့်ရှုခြင်းနှင့် စီစဉ်သတ်မှတ်ခြင်းတို့ကို ဘရောက်ဇာများနှင့် ကလိုင်းယင့်များမှတစ်ဆင့် ဆောင်ရွက်နိုင်သည်။ အဓိကအားဖြင့် စက်မူလုပ်ငန်းတွင်း အပူဓာတ်စစ်ဆေးမှု၊ ပေါက်ကွဲမှုမဖြစ်အောင် ကာကွယ်သည့် ရော့နောပေါင်းစပ်မှု၊ စက်ရုပ်ရော့နောပေါင်းစပ်မှု စသည်တို့တွင် ၎င်းကို အသုံးပြုသည်။

**2 ပုံသဏ္ဍာန် ဖော်ပြချက်**

**2.1 ကင်မရာ အကျဉ်း (ဇယားနံပါတ် 1၊ 2 - A)**

မတူညီသော ဖော်ဒယ်အမျိုးမျိုးအလိုက် အသွင်အပြင် ကွဲပြားနိုင်သည်။ လက်တွေ့သုံးမည့် ထုတ်ကုန်ကို အတည်ယူပါ။

နံပါတ်	အစိတ်အပိုင်း	ရှင်းလင်းချက်
1	အပူ မှန်ဘီလူးများ	အပူပုံရိပ်ကို ပြပေးသည်။
2	M3 ဝက်အူရစ်အပေါက်	ဝက်အူတပ်ရန်။

3	ကွန်ရက် အညွှန်း	<ul style="list-style-type: none"> <li>• တဖျင်ဖျင်လင်း- ကွန်ရက်ဒေတာကို ပေးပို့သည်။</li> <li>• အပြည့်လင်း- ဒေတာမပေးပို့ဘဲ ကွန်ရက်နှင့် ချိတ်ဆက်ထားသည်။</li> </ul>
4	USB Type-C ပလတ်ပေါက်	USB-C မှ USB-A ကွီးဖွဲ့၍ ဒေတာကို လှူပို့စေချင်ပါ။
5	ပြန်ချိန်ခလုတ်	ပြန်သတ်မှတ်ရန်ခလုတ်ကို နှိပ်ပြီးနောက် ပါဝါရင်းမြစ်နှင့် ချိတ်ဆက်ပါ။ ပြန်သတ်မှတ်ရန်ခလုတ်ကို 10 စက္ကန့်ကြာ ဖိထားပြီး ခလုတ်ကို လွှတ်လိုက်ပါ။ ထို့နောက် ကိရိယာသည် စက်ရုံထုတ်ဆက်တင်များအတိုင်း ပြန်ဖြစ်သွားမည်။
6	တာမီနယ် ဆော့ကတ်	ချိတ်ဆက်ရန် ပင် 12 ခု ပါသည်။
7	ပါဝါအချက်ပြမီး	• အစိမ်းရောင် အပြည့်- စက်

		လည်ပတ်လုပ်ဆောင်ခြင်း။ • အနီရောင် အပြည့်- စက် စတင်ခြင်း။
8	ကွန်ရက် အင်တာဖျစ်	RJ-45၊ ကွန်ရက်ဆက်သွယ်ရေး။
9	ကွန်ရက်ကြိုး	ကွန်ရက်ပေါက်တွင် ကေဘယ်ကြိုးတပ်လိုက်သောအခါ ယင်းအား ဘေးကင်းစိတ်ချရစေရန် ကေဘယ်ကြိုးပေါ်တွင် ဝက်အူများကျပ်ပါ။
10	တာမီနယ် ဘလော့ခ်	တာမီနယ် ဆော့တတ်ထဲသို့ တာမီနယ် ဘလော့ခ်ကို ထိုးတပ်ပါ။ ပြီးလျှင် ပင်ဆိုင်ရာ ဖွင့်ဆိုချက်ကို ကိုးကား၍ ဝါယာကြိုးများ ဆက်ပါ။

**2.2 ပင်ဆိုင်ရာ ဖွင့်ဆိုချက် (စာမျက်နှာ 2 – B)**

နံပါတ်	အချက်ပြ	ဖော်ပြချက်
1	ပါဝါ	DC 10~30 V
2	GND	ပါဝါအား။

3	UART_R	စက်ကို ပြစ်ချက်ရှာဖွေဖယ်ရှားခြင်းအတွက် UART အစဉ်လိုက် ဆက်သွယ်ရေး။
4	UART_T	
5	UART_P	
6	AL_IN	သတိပေးမြည်သံ အဝင် 1၊ သတိပေးမြည်သံ အထွက် 1။ သတိပေးမြည်သံ ထွက်ရှိမှုအတွက် ပြင်ပ ဝါဝါပေးပို့မှုသည် < DC 60 V ၊ 1.3 A ဖြစ်သင့်သည်။
7	AL_OUTA	
8	AL_OUTB	
9	RS-485+	RS-485 အစဉ်လိုက် ဆက်သွယ်ရေး။
10	RS-485-	
11	GND	စက်တွင်း ဗီဒီယို အန်နာလော့ဂ် ထုတ်ပေးမှု။
12	CVBS	

**3 ကွန်ရက် ကင်ပရာကို ဖွင့်ပြီး သုံးစွဲခြင်း**

www.hikmicrotech.com သို့ သွားရောက်ပြီး HIKMICRO Studio ကို ဒေါင်းလုဒ် ဆွဲပြီး ထည့်သွင်းပါ။ အသေးစိတ် လည်ပတ်မှု အတွက် ကိရိယာ၏ သုံးစွဲသူ လက်စွဲ စာအုပ်ကို ကိုးကားပါ။

**4 တပ်ဆင်ခြင်း (စာမျက်နှာ 3 – C)**

⚠ အန္တရာယ်-

- စက်ကို တပ်ဆင်သောအခါ၊ ပလတ်တပ်သောအခါ သို့မဟုတ် ပလတ်ဖြတ်ပေးအခါ လူနှင့် စက်တို့ ဘေးကင်းမှုရှိကြောင်း သေချာစေရန် လျှပ်စစ်စွမ်းအင်အားလုံးကို ဖြတ်တောက်ပါ။
- ကိရိယာကို ကောင်းမွန်စွာ မြေစိုက်ကြိုး

- ချထားကြောင်း သေချာပါစေ။
- ကိရိယာသည် ရေစိုမခံပါ။ စက်ကို နေရောင်ခြည်နှင့်တိုက်ရိုက်ထိတွေ့အောင် လှစ်ဟမထားပါနှင့် သို့မဟုတ် ပြင်ပ ပတ်ဝန်းကျင်များတွင် စက်ကို တသီးတခြား မတပ်ဆင်ပါနှင့်။

**4.1 ဘရက်ကတ်တွင်းတွင် တပ်ဆင်ခြင်း (စာမျက်နှာ 3 - C.1)**

**မှတ်ချက်။** အောက်ပါပုံထဲရှိ အဒတ်တာပြားနှင့် 1/4-20 UNC ဝက်အူကို ကိရိယာနှင့်အတူ ထည့်မထားပါ။ လက်တွေ့ အသုံးပြုမှုပေါ် အခြေခံ၍ အဒတ်တာပြားနှင့် 1/4-20 UNC ဝက်အူကို သုံး၊ မသုံး ရွေးချယ်ပါ။

**အဆင့်များ-**

1. ပက်ကေချိုထဲရှိ M3 ဝက်အူ 6 ခု (①) ကို အသုံးပြု၍ အဒတ်တာပြား (②) ကို ကိရိယာနှင့် ချိတ်ပါ။
2. 1/4-20 UNC ဝက်အူ အသုံးပြု၍ ကိရိယာကို တပ်ဆင်ပါ (③)။

**4.2 တိုက်ရိုက် တပ်ဆင်ခြင်း (စာမျက်နှာ 3 - C.2)**

ကိရိယာကို အထိုင်ချမည့်မျက်နှာပြင်တွင် တိုက်ရိုက်တပ်ဆင်သည့်အခါ M3 ဝက်အူ (⑤) ကို M3 ဝက်အူရစ်အပေါက် (④) အနက်- 2.5 mm ထဲ ထိုးထည့်၍ ကိရိယာကို အထိုင်ချမည့်မျက်နှာပြင်နှင့် ချိတ်ဆက်ပါ။

**5 ရေစိုခံဒီဇိုင်း (စာမျက်နှာ 4 - D)**

စက်ကို ထည့်သွင်းတပ်ဆင်သည့်အခါ သင့်စက်၏ အမှန်တကယ်ပုံပန်းသွင်ပြင်အရ ရေစိုခံဒီဇိုင်း နည်းလမ်းကို ရွေးချယ်နိုင်သည်။

- မော်ဒယ် I စက်အတွက် စာမျက်နှာ 4 - D.1 ကို ကြည့်ပါ။ ရေစိုခံဒီဇိုင်းအတွက် အို ပုံသဏ္ဍာန် အလုံပိတ်ကွင်း (①) ကို သုံးပါ။

- မော်ဒယ် II စက်အတွက် စာမျက်နှာ 4 - D.2 ကို ကြည့်ပါ။ ရေစိုခံဒီဇိုင်းအတွက် အလုံပိတ်ကွင်း (②) ကို သုံးပါ။

**6 နောက်ထပ်လုပ်ဆောင်ချက်များ (စာမျက်နှာ 4 - E)**

နောက်ထပ်လုပ်ဆောင်ချက်များကို ဆက်ကြည့်လိုပါက QR ကုဒ်ကို စကန်ဖတ်ပြီး အသုံးပြုသူလက်စွဲ ရယူနိုင်သည်။

**စည်းမျဉ်းစည်းကမ်း လိုက်နာရန်နှင့် ဘေးကင်းရေး အချက်အလက်**

စက်ကိုအသုံးမပြုမီ ဤစာရွက်စာတမ်းရှိ အချက်အလက်နှင့် ညွှန်ကြားချက်အားလုံးကို သေချာဖတ်ပြီး နောင်တွင် ကိုးကားရန်အတွက် သိမ်းဆည်းထားပါ။

စက်ဆိုင်ရာ အချက်အလက်နှင့် ညွှန်ကြားချက်များကို ပိုမိုသိရှိလိုပါက၊ ကျွန်ုပ်တို့၏ ဝက်ဘ်ဆိုက်ဖြစ်သော <https://www.hikmicrotech.com> သို့

ဝင်ရောက်ကြည့်ရှုပါ။ စက်နှင့်အတူပါရှိသော အခြားစာရွက်စာတမ်းများ (ရှိပါက) ကိုလည်း ကိုးကားနိုင်သည် သို့မဟုတ် အချက်အလက်ပိုမိုရရှိရန် ထုပ်ပိုးမှုတွင် QR ကုဒ် (ရှိပါက) စကန်ဖတ်နိုင်သည်။

**ဥပဒေကြောင်းဆိုင်ရာ ဖော်ထုတ်ချက်**

အကျုံးဝင်သည့် သက်ဆိုင်သောဥပဒေက ခွင့်ပြုထားသည့် အမြင့်ဆုံး အတိုင်းအတာဖြင့် ဤလက်စွဲစာအုပ်နှင့် ဖော်ပြထားသော ထုတ်ကုန်ကို ၎င်း၏ စက်ပစ္စည်းများ၊ ဆော့ဖ်ဝဲနှင့် ဖမ်းဝဲများနှင့်အတူ “ယင်းအတိုင်း” နှင့် “အမှားအယွင်းများအားလုံးနှင့်အတူ” ဖော်ပြထားသည်။ HIKMICRO သည် ကန့်သတ်မှု၊ ကုန်သွယ်နိုင်စွမ်း၊ ကျေနပ်လောက်ဖွယ် အရည်အသွေး၊ သို့မဟုတ် သီးခြားရည်ရွယ်ချက် တစ်စုံတစ်ခုအတွက် ကြံ့ခိုင်မှုများ မရှိခြင်း အပါအဝင် မည်သည့် အာမခံချက်များကို အတိအလင်း ဖြစ်စေ သွယ်ဝိုက်၍ ဖြစ်စေ ပေးထားခြင်း မရှိပါ။

ကုန်ပစ္စည်းအား အသုံးပြုပါက သင့်ဘာသာသင် တာဝန်ယူ ရမည်။ မည်သည့်အခြေအနေတွင်မဆို စာချုပ်ချိုးဖောက်မှုကြောင့်ဖြစ်စေ၊ အကျိုးပျက်စီးခြင်းဖြစ်စေ (ပေါ့လျော့မှု အပါအဝင်)၊ ထုတ်ကုန်ပစ္စည်း ပြဿနာ ကြောင့်ဖြစ်စေ၊ သို့မဟုတ်ပါက ဤထုတ်ကုန်ပစ္စည်းအား အသုံးပြုမှုကြောင့် ဖြစ်စေ စီးပွားရေးလုပ်ငန်း အကျိုးအမြတ် ဆုံးရှုံးမှု သို့မဟုတ် အချက်အလက် ဆုံးရှုံးမှု၊ စနစ်များ ယိုယွင်းပျက်စီးမှု သို့မဟုတ် စာရွက်စာတမ်း ပျက်စီး ပျောက်ဆုံးမှုကြောင့် ထိခိုက်မှုများ အပါအဝင် အထူးတလည်၊ အကျိုးဆက်စပ်၍ မတော်တဆ သို့မဟုတ် တိုက်ရိုက် ထိခိုက်မှုများအတွက် ထိုထိခိုက်မှု သို့မဟုတ် ဆုံးရှုံးမှုများအကြောင်း HIKMICRO အား အကြံပြု အသိပေးပြီး ဖြစ်စေကာမူ HIKMICRO မှ တာဝန်ယူမည် မဟုတ်ပါ။

အင်တာနက် သဘောသဘာဝအရ တည်ရှိဆဲ လုံခြုံရေး ဘေးအန္တရာယ်များ ပေးနိုင်သည်ကို သင် အသိအမှတ်ပြုပြီး ပုံမှန်မဟုတ်သော လုပ်ငန်းလည်ပတ်မှု၊ ပုဂ္ဂိုလ်ရေးဆိုင်ရာ အချက်အလက် ပေါက်ကြားမှု သို့မဟုတ် ဆိုင်ဘာ တိုက်ခိုက်မှုများ၊ ဟက်ကာ တိုက်ခိုက်မှုများ၊ ဝိုင်းရပ်စ် ကူးစက်မှု သို့မဟုတ် အခြား အင်တာနက် လုံခြုံရေး အန္တရာယ်များ၏ ရလဒ်အဖြစ် ဖြစ်ပေါ်လာသော အခြားပျက်စီးမှုများ၊ အပေါ် HIKMICRO သည် တာဝန်ယူလိမ့်မည်မဟုတ်ပါ။ သို့ရာတွင် HIKMICRO သည် လိုအပ်ပါက နည်းပညာပံ့ပိုးမှုကို အချိန်နှင့် တစ်ပြေးညီပေးသွားမည်။

သင်သည် အကျိုးဝင်သော ဥပဒေများနှင့် အညီ ဤကုန်ပစ္စည်းကို အသုံးပြုရန် သဘောတူညီပြီး သင်၏ အသုံးပြုမှုသည် အကျိုးဝင်သော ဥပဒေနှင့် ကိုက်ညီစေရန် သင်က လုံးဝ တာဝန်ခံရမည် ဖြစ်သည်။ အထူးသဖြင့် သင်သည် ဤကုန်ပစ္စည်းကို အသုံးပြုရာတွင် အများပြည်သူ၏ အခွင့်အရေးများ၊ အသိပညာ ဝိုင်းဆိုင်မှု အခွင့်အရေးများ သို့မဟုတ်

အချက်အလက် ကာကွယ်ရေး နှင့် အခြား ပုဂ္ဂိုလ်ရေး ဆိုင်ရာ အချက်အလက် လုံခြုံမှု အခွင့်အရေးများ အပါအဝင် ဖြစ်သော်လည်း ယင်းတို့သာ အကန့်အသတ်မဟုတ်ဘဲ အပြင်အပ လူပုဂ္ဂိုလ် များ၏ အခွင့်အရေးများကို ချိုးဖောက်သော ပုံစံဖြင့် အသုံးပြုခြင်း မပြုရန် သင့်တွင် တာဝန်ရှိသည်။ လူ့အရာအပြုလိုက် သေကြေပျက်စီးစေနိုင်သော လက်နက်များ တီထွင် ဖန်တီးခြင်း သို့မဟုတ် ထုတ်လုပ်ခြင်း၊ ဓာတု သို့မဟုတ် ဇီဝ လက်နက်များ တီထွင်ဖန်တီးခြင်း သို့မဟုတ် ထုတ်လုပ်ခြင်း၊ မည်သည့် ပေါက်ကွဲစေတတ်သော နူးကလီးယား လက်နက် သို့မဟုတ် ဘေးကင်းလုံခြုံမှု မရှိသော နူးကလီးယား လောင်စာ သံသရာတို့နှင့် သက်ဆိုင်သော အခြေအနေတွင် သို့မဟုတ် လူ့အခွင့်အရေး ချိုးဖောက်မှုကို ပံ့ပိုးသော လုပ်ဆောင်မှု တစ်စုံတရာ တို့ အပါအဝင် မည်သည့် အဆုံးသတ် အသုံးပြုမှု အတွက်ကိုမဆို သင်သည် ဤကုန်ပစ္စည်းကို အသုံးပြုခြင်း မပြုရပါ။ ဤလမ်းညွှန်နှင့် သက်ဆိုင်ရာ ဥပဒေတို့အကြား ကွဲလွဲမှုများ ရှိခဲ့ပါက ဥပဒေပါ ပြဌာန်းချက်ကိုသာ အတည်ယူရမည်။

**စည်းကမ်းချက်ဆိုင်ရာ အချက်အလက်များ**

---

**ဤအပိုင်းများသည် သက်ဆိုင်ရာ အမှတ်အသား သို့မဟုတ် အချက်အလက်များ ပါရှိသော ထုတ်ကုန်များနှင့်သာ သက်ဆိုင်ပါသည်။**

---

**EU လိုက်နာရန် ထုတ်ပြန်ချက်**

**CE** ဤထုတ်ကုန် နှင့် - သက်ဆိုင်ပါက - ထည့်သွင်းပါရှိသော အပိုပစ္စည်းများမှာလည်း "CE" အမှတ်အသား ပါရှိသည်။ သို့ဖြစ်ရာ 2014/30/EU (EMCD) လမ်းညွှန်ချက် နှင့် 2011/65/EU (RoHS) တို့အောက်ရှိ စာရင်း ပြုစုထားသော သက်ဆိုင်ရာ ဟန်ချက်ညီသော ဥပဒေပ စံချိန်စံညွှန်းများနှင့် ကိုက်ညီသည်။

မှတ်ချက်- 50 မှ 1000 VAC အတွင်း သို့မဟုတ် 75 မှ 1500 VDC အတွင်း အဝင်ဗို့အားရှိသော ထုတ်ကုန်များသည် လမ်းညွှန်ချက် 2014/35/EU (LVD) နှင့် ကိုက်ညီပြီး ကျန်ထုတ်ကုန်များသည် လမ်းညွှန်ချက် 2001/95/EC (GPSD) နှင့် ကိုက်ညီပါသည်။ သတ်မှတ်ထားသော ပါဝါ ပေးသွင်းမှု အချက်အလက်ကို ကိုးကားချက်များအတွက် ကျေးဇူးပြု၍ စိစစ်ပါ။

သတိပေးချက်- ဤသည်မှာ အတန်းအစား A ထုတ်ကုန်ဖြစ်ပါသည်။ ဒေသတွင်း ပတ်ဝန်းကျင်တစ်ခု၌ ဤကုန်ပစ္စည်းသည် ရေဒီယိုဆက်သွယ်ရေး အနှောင့်အယှက်ကို ဖြစ်စေနိုင်သောကြောင့် အသုံးပြုသူသည် လုံလောက်သော ဆောင်ရွက်ချက်များကို လုပ်ဆောင်ရန်လိုအပ်ပါသည်။



2012/19/EU ညွှန်ကြားချက် (WEEE ညွှန်ကြားချက်)- ဤသင်္ကေတ ကပ်ထားသည့် ထုတ်ကုန်များကို

ဥရောပသမဂ္ဂအတွင်း ရောနှောစည်ပင်အမှိုက်အနေဖြင့် စွန့်ပစ်နိုင်ခြင်း မရှိပါ။ သေချာစွာ ရီဆိုင်ကယ်လုပ်ရန်အတွက် ဤထုတ်ကုန်ပစ္စည်းကို အလားတူ ပစ္စည်းအသစ်တစ်ခု ဝယ်ယူချိန်တွင် သင့်နယ်ခံ ပစ္စည်းရောင်းချသူထံ ပြန်ပေးပါ။ သို့မဟုတ် သတ်မှတ်ထားသည့် ပစ္စည်းစုဆောင်းသော နေရာများ၌ စွန့်ပစ်ပါ။ ပိုမိုသိရှိလိုပါက [www.recyclethis.info](http://www.recyclethis.info).

**CE** စည်းမျဉ်း (EU) 2023/1542 (ဘက်ထရီဆိုင်ရာစည်းမျဉ်း)- ဤထုတ်ကုန်တွင် ဘက်ထရီပါဝင်ပြီး ၎င်းသည် စည်းကမ်းချက် (EU) 2023/1542 နှင့် ကိုက်ညီသည်။ ဘက်ထရီကို ဥရောပသမဂ္ဂတွင် မြူနီစီပယ်အမှိုက်အဖြစ် မစွန့်ပစ်နိုင်ပါ။ ဘက်ထရီအတွက်

သီးသန့်အချက် အလက်များကို ထုတ်ကုန်ပစ္စည်းပါ စာရွက်စာတမ်းများ၌ ကြည့်ပါ။ ဤဘက်ထရီကို ကတ်ဒီဗီယမ် (Cd) သို့မဟုတ် ခဲ (Pb) ပြဒါးဟု ညွှန်ပြမည့် စွန့်ပစ်ခြင်းပါဝင်နိုင်ကြောင်း ဤသင်္ကေတဖြင့် မှတ်သားထားပါသည်။ သေချာစွာ ရီဆိုင်ကယ်လုပ်ရန်အတွက် ဤဘက်ထရီကို သင့်နယ်ခံ ပစ္စည်း ရောင်းချသူထံ ပြန်ပေးပါ။ သို့မဟုတ် သတ်မှတ်ထားသည့် စုဆောင်းသော နေရာ၌ စွန့်ပစ်ပါ။ ပိုမိုသိရှိလိုပါက [www.recyclethis.info](http://www.recyclethis.info) တွင်ကြည့်ပါ။

**ဘေးကင်းလုံခြုံရေး ညွှန်ကြားချက်များ**

ဤညွှန်ကြားချက်များသည် အန္တရာယ် သို့မဟုတ် ပိုင်ဆိုင်မှုပစ္စည်းပျောက်ဆုံးမှုမှ ရှောင်ရှားနိုင်ရန်အတွက် အသုံးပြုသူအနေဖြင့် ထုတ်ကုန်ကို မှန်ကန်စွာအသုံးပြုနိုင်စေရန် ရည်ရွယ်ပါသည်။ အသုံးမပြုမီ ဘေးကင်းရေးဆိုင်ရာ အချက်အလက်များကို သေချာစွာ ဖတ်ရှုပါ။

**ဥပဒေများနှင့် လုပ်ထုံးလုပ်နည်းများ**

ကိရိယာကို ဒေသဆိုင်ရာ ဥပဒေများ၊ လျှပ်စစ်ပစ္စည်း ဘေးကင်းလုံခြုံမှု စည်းမျဉ်းစည်းကမ်းများ နှင့် မီးဘေး ကာကွယ်ရေး စည်းမျဉ်းစည်းကမ်းများနှင့် အညီ သုံးစွဲရမည်။

**သယ်ယူပို့ဆောင်ရေး**

- ကိရိယာကို သယ်ယူပို့ဆောင်ရာတွင် မူလ သို့မဟုတ် အလားတူ ထုပ်ပိုးမှုအတိုင်း ထားပါ။
- ထုတ်ကုန်ပစ္စည်းကို လွတ်မကျပါစေနှင့် သို့မဟုတ် တုန်ခါ၍ ဒဏ်ဖြစ်သွားခြင်း မဖြစ်စေပါနှင့်။ ကိရိယာကို သံလိုက်စက်ကွင်း နောက်ယှက်မှုမှ ဝေးရာတွင် ထားပါ။

**လျှပ်စစ်အန္တရာယ် ဘေးကင်းရေး**

- သတိပြုရန်- ကိရိယာ၏ ဖြူးစက် လုံလုံယုံနိုင်ပါက မီးလောင်ခြင်း သို့မဟုတ် လျှပ်စစ်ရှောင် အန္တရာယ် ဖြစ်နိုင်ချေ လျော့ကျစေရန် တူညီသော

မော်ဒယ်ဖြင့်သာ အစားထိုးလဲလှယ်ပါ။

● ဖျူးကို ကြားနေဝါယာကြိုးနှင့် ချိတ်ဆက်ထားပြီး  
ငုတ်နှစ်ခု/ ကြားနေ ဖျူးကြိုးပျက်ခြင်း ဖြစ်ပေါ်ပါက  
ဖျူးဖြင့် လျှပ်စစ်ဒဏ်ခံပြီးသည့်တိုင် လျှပ်စစ်  
ဆက်စီးဝင်နေသည့် စက်ပစ္စည်း  
အစိတ်အပိုင်းများသည် ပြုပြင်ထိန်းသိမ်းမှုလုပ်နေစဉ်  
အန္တရာယ်ဖြစ်စေနိုင်ပါသည်။

● ဤပစ္စည်းကို မြေချကြိုးတပ်ဆင်ထားသည့်  
မိန်းပလပ်ပေါက်နှင့် ချိတ်ဆက်ထားရမည်။

● ပလပ်ပေါက်ကို ကိရိယာအနီးတွင်  
တပ်ဆင်ထားရမည်ဖြစ်ပြီး အလွယ်တကူ  
ချိတ်ဆက်နိုင်ရမည်ဖြစ်သည်။

● ကိရိယာကို ပါဝါ ပိတ်ပြီးနောက်တွင်  
လျှပ်စစ်ဓါတ်အား ရှိနေနိုင်သေးသောကြောင့်  
(အဝင်အထွက်များ ၏ သတ္တုမျက်နှာပြင်များ)  
မထိတွေ့ပဲ အနည်းဆုံး 5 မိနစ်ခန့် စောင့်ပါ။

● ကိရိယာသည် တာမီနယ်များနှင့် ပါဝါကြိုးဖြင့်  
ဆက်သွယ်ထားပြီး ပါဝါရှိနေပါက၊ ဗို့အား နှင့် ပင်မ  
လျှပ်စစ်ဓါတ်အား အဆက်အသွယ်များအတွက်  
တာမီနယ်များနှင့် ဝါယာဆက်သွယ်မှုများ  
မှန်ကန်အောင် ဂရုပြုပါ။

● ဤထုတ်ကုန်ပစ္စည်းအား အသုံးပြုရာတွင် နိုင်ငံနှင့်  
ဒေသတွင်းရှိ လျှပ်စစ်ဆိုင်ရာ ဘေးကင်းလုံခြုံရေး  
စည်းမျဉ်းအများကို အပြည့်အဝ  
လိုက်နာဆောင်ရွက်ရမည် ဖြစ်သည်။

● ဤကိရိယာကို ရေကျခြင်း သို့မဟုတ်  
ဖျန်းပက်ခြင်းဖြန်းပတ်ခြင်းများနှင့် မထိစေရန်နှင့်  
ပန်းအိုးများ ကဲ့သို့သော အရည်ဖြည့်ထားသည့်  
ပစ္စည်းများကို ကိရိယာအပေါ်တွင် မတင်ရပါ။

**ဘက်ထရီ**

သတိပေးချက်-

● သတိပြုရန်- မှန်ကန်မှုမရှိသော  
ဘက်ထရီအမျိုးအစားဖြင့် လဲမိပါက  
ပေါက်ကွဲမှုဖြစ်နိုင်ပါသည်။

● ဘက်ထရီကို ပုံစံမမှန်ဘဲ မှားယွင်းသော  
အမျိုးအစားတစ်ခုဖြင့် အသစ်လဲခဲ့ပါက safeguard  
ပျက်စီးနိုင်သည် (ဥပမာအားဖြင့် အချို့သော  
လစ်သီယမ် ဘက်ထရီအမျိုးအစားများတွင်)။

● ဘက်ထရီကို ပေါက်ကွဲမှု ဖြစ်ပေါ်စေနိုင်သည့်  
မီးအတွင်းသို့ သို့မဟုတ် မီးဖိုအတွင်းအတွင်း၊  
သို့မဟုတ် စက်ပစ္စည်းသုံး ထုမြေခြင်း၊ သို့မဟုတ်  
ဖြတ်တောက်ခြင်း ဖြင့် မစွန့်ပစ်ပါနှင့်။

● ပေါက်ကွဲခြင်း သို့မဟုတ် မီးလောင်လွယ်သော  
အရည် သို့မဟုတ် ဓာတ်ငွေ့များ ယိုစိမ့်စေသည့် မီး  
သို့မဟုတ် အပူပေးမီးဖိုကဲ့သို့သော  
အလွန်မြင့်မားသော အပူချိန်ပတ်ဝန်းကျင်တွင်  
ထုတ်ကုန်ပစ္စည်းကို မထားပါနှင့်။

● ထုတ်ကုန်ပစ္စည်းကို ပူနေသော ထည့်စရာများ၊  
အဝတ်လျှော်စက်များ သို့မဟုတ် ဖိအားများသော  
ထည့်စရာများတွင် မထားပါနှင့်။

● အသုံးပြုပြီး ဘက်ထရီများကို  
လမ်းညွှန်ချက်များနှင့်အညီ စွန့်ပစ်ပါ။

● ဤကိရိယာကို ကလေးများရှိနိုင်သည့်  
နေရာမျိုးတွင် အသုံးပြုရန် မသင့်လျော်ပါ။

**မီးဘေး ကာကွယ်တာခင်းရေး**

● မီးထွန်းထားသည့် ဖယောင်းတိုင်များ ကဲ့သို့သော  
အကာအကွယ်မရှိသည့် မီးအရင်းအမြစ်များကို  
ပစ္စည်းအပေါ်တွင် မထားရပါ။

● လေဝင်လေထွက်ပေါက်များ ပါဝင်သည့်  
ကိရိယာများအတွက်  
ထိုလေဝင်လေထွက်ပေါက်များကို သတင်းစာ၊  
ဖုန်သုတ်ဝတ်၊ ခန်းစီးလိုက်ကာ အစရှိသည့်  
ပစ္စည်းများဖြင့် ပိတ်မထားပါနှင့်။ အိပ်ရာ၊ ဆိုဖာ၊  
ကောဇော သို့မဟုတ် အခြားအလားတူ  
မျက်နှာပြင်ပေါ်တွင် စက်များ ထားခြင်းဖြင့်  
လေဝင်လေထွက်ပေါက်များကို မည်သည့်အခါမျှ  
ပိတ်ဆို့ခြင်း မပြုရပါ။

**ပါဝါ ပေးသွင်းမှု**

- ပလပ်ခေါင်းသည် ပါဂါ အပေါက်တွင် ကောင်းမွန်စွာ ချိတ်ဆက်ထားမှု ရှိမရှိကို သေချာ မြေချထားပါ။
- အလုပ်ပိုကြောင့် ဖြစ်ပေါ်လာသော အပူလွန်ခြင်း သို့မဟုတ် မီးဘေးအန္တရာယ်ကို ရှောင်ရှားရန် ပါဂါနံ တစ်ခုတွင် ကိရိယာ အများအပြားကို မဆက်ထားပါနှင့်။
- + တိုက်ရိုက်လျှပ်စီးကြောင်းနှင့် အသုံးပြုသော သို့မဟုတ် တိုက်ရိုက်လျှပ်စီးကြောင်း ထွက်သော ကိရိယာ၏ အပေါင်းငုတ်(များ)ကို ခွဲခြားမှတ်သားပါ။ - တိုက်ရိုက်လျှပ်စီးကြောင်းနှင့် အသုံးပြုသော သို့မဟုတ် တိုက်ရိုက်လျှပ်စီးကြောင်း ထွက်သော ကိရိယာ၏ အနှုတ်ငုတ်(များ)ကို ခွဲခြားမှတ်သားပါ။

**တပ်ဆင်ခြင်း**

- ဤလက်စွဲစာအုပ်ပါ ညွှန်ကြားချက်များအတိုင်း ကိရိယာကို တပ်ဆင်ပါ။
- ထိခိုက်ဒဏ်ရာ ရခြင်းမှ ကာကွယ်ရန် ဤကိရိယာကို တပ်ဆင်မှု လမ်းညွှန်ချက်များနှင့် အညီ တပ်ဆင်သည့် မျက်နှာပြင်တွင် သေချာစွာ တပ်ဆင်ပါ။
- ကိရိယာကို မတည်ငြိမ်သော နေရာများတွင် မည်သည့်အခါမျှ တပ်ဆင်ခြင်း မပြုရပါ။ ဤကိရိယာ ပြုတ်ကျ၍ အနာတရ ပြင်းထန်စွာဖြစ်စေ၊ အသက်ဆုံးရှုံးသည်အထိ ဖြစ်စေ အန္တရာယ် ဖြစ်စေနိုင်သည်။

**စနစ် လုံခြုံရေး**

- သင့်အနေဖြင့် ဤကိရိယာနှင့် ပတ်သက်သည့် စကားဝှက်များနှင့် အခြားလုံခြုံရေး ဆက်တင်များကို ထိန်းသိမ်းသတ်မှတ်ရမည်ဖြစ်ပြီး အသုံးပြုသူအမည်နှင့် စကားဝှက်တို့ကို မှတ်သားထားရန် တာဝန်ရှိသည်ကို နားလည်ရန်လိုအပ်ပါသည်။

**ပြုပြင်ထိန်းသိမ်းခြင်း**

- ကိရိယာ သေချာအလုပ်မလုပ်ပါက အရောင်းဆိုင် သို့မဟုတ် အနီးဆုံး ကြံ့ခိုင်မှုစစ်ဆေးရေး စင်တာသို့

- ဆက်သွယ်ပါ။ ခွင့်ပြုချက်မရှိဘဲ ပြင်ဆင်ခြင်း သို့မဟုတ် ထိန်းသိမ်းပြင်ဆင်ခြင်းကြောင့် ဖြစ်ပွားရသည့် မည်သည့်ပြဿနာအတွက်မဆို လုံးဝတာဝန်ယူမည် မဟုတ်ပါ။
- လိုအပ်ပါက စက်ကိရိယာကို အရက်ပြန်အနည်းငယ်သုံး၍ သန့်ရှင်းသောအဝတ်စဖြင့် ညင်သာစွာ သုတ်ပါ။
- ထုတ်လုပ်သူမှ သတ်မှတ်ထားခြင်းမရှိသောပုံစံဖြင့် ကိရိယာကို အသုံးပြုပါက စက်ပစ္စည်းတွင်ပါသော အကာအကွယ်ကို ထိခိုက်စေနိုင်ပါသည်။
- ကိရိယာကို သင်ကိုယ်တိုင် ဝါယာ တပ်ဆင်ခြင်းလုပ်ရန် လိုအပ်ပါက ပါဝါ ဝင်ရောက်ရန်အတွက် ကိရိယာတွင် ရေးသားထားသော လျှပ်စစ်ဆိုင်ရာ ကန့်သတ်ချက်များနှင့် အညီ သက်ဆိုင်ရာ ဝါယာကြိုးများကို ရွေးချယ်ပါ။ စံချိန်မီ ဝါယာကြိုးဖြုတ်သည့် ကိရိယာများဖြင့် မှန်ကန်သော အနေအထားတွင် ဝါယာများကို ဖြုတ်ပါ။ မလိုလားအပ်သော ကြိုးမားသည့် နောက်ဆက်တွဲများကို ရှောင်ရှားနိုင်ရန်၊ ဝါယာကြိုးဖြုတ်သည့် ကိရိယာ၏ အရှည်သည် သင့်တင့်လျောက်ပတ်ရမည်ဖြစ်ပြီး၊ လျှပ်ကူးပစ္စည်းများကို မထိတွေ့ရပါ။
- အသုံးပြုသည့် ပတ်ဝန်းကျင်**
- လည်ပတ်လုပ်ဆောင်နေသော ပတ်ဝန်းကျင်သည် ကိရိယာအတွက် လိုအပ်ချက်များ ပြည့်မီစေရန် လုပ်ဆောင်ပါ။ လည်ပတ်လုပ်ဆောင်ရန် အပူချိန်သည် -20 °C မှ 50 °C အထိ (-4 °F မှ 122 °F အထိ) ဖြစ်သင့်ပြီး လည်ပတ်လုပ်ဆောင်ရန် စိုထိုင်းဆသည် 90% RH အောက်တွင် ရှိသင့်သည်။
- မှန်ဘီလူးများကို နေ သို့မဟုတ် တောက်ပသော အလင်းရောင်ရှိရာသို့ မချိန်ပါနှင့်။
- စက်ကို လျှပ်စစ်သံလိုက်အားမြင့်သည့် ဓာတ်ရောင်ခြည်နှင့် မထိတွေ့ မိပါစေနှင့်။

**အရေးပေါ်**

ဒေသခံအစိုးရ အာဏာပိုင်များနှင့် ကျေးဇူးပြု၍ တိုင်ပင်ပါ။

● ကိရိယာအား ဝါယာချိတ်ဆက်စဉ်၊ တပ်ဆင်စဉ် သို့မဟုတ် ပြန်ဖြုတ်နေစဉ်တွင် ပါဝါသေချာဖြုတ်ထားပါ။

● ကိရိယာမှ မီးခိုးငွေ့၊ ညှော်နံ့ သို့မဟုတ် ဆူညံသံများ ထွက်လာလျှင် ပါဝါ ချက်ချင်းပိတ်၍ ပါဝါကြိုးဖြုတ်ပြီး ဆားပစ်စင်တာသို့ ဆက်သွယ်ပါ။

**အချိန် ညှိခြင်း**

● ဒေသခံတော်ချိန်သည် ကွန်ရက်နှင့် ချိန်ညှိထားခြင်း မရှိပါက ပထမဆုံးအကြိမ်တွင် ကိရိယာ၏ အချိန်ကို ကိုယ်တိုင်ထည့်သွင်းပါ။ ဝက်ဘ်ဘရောက်ဇာ/သုံးစွဲသူ ဆော့ဖ်ဝဲမှတစ်ဆင့် စက်ပစ္စည်းကို ဝင်ရောက်ကြည့်ရှုပြီး အချိန် ဆက်တင်များ အင်တာဖေ့စ်သို့ သွားပါ။

**ထုတ်လုပ်သည့်လိပ်စာ**

အခန်း 313၊ ယူနစ် B၊ အဆောက်အအုံအမှတ် 2၊ 399 ဒနျူဖန်းလမ်း၊ ဇီဖင်းခရိုင်၊ ဘဂျင်ဂျီ၊ ဟန့်ရှီ၊ ဇီဂျီ၊ 310052၊ တရုတ်နိုင်ငံ  
Hangzhou Microimage Software Co., Ltd.

လိုက်နာမှု သတိပေးချက်။ အပူဆိုင်ရာ အတွဲလိုက် ထုတ်ကုန်များသည် အမေရိကန် ပြည်ထောင်စု၊ ဥရောပ သမဂ္ဂ၊ ယူနိုက်တစ် ကင်းဒမ်း နှင့်/သို့ ဝါဆန်နာ စီမံမှု အဖွဲ့ဝင် နိုင်ငံများ အပါအဝင် ဖြစ်ပြီး ယင်းတို့သာ ဟု ကန့်သတ်ထားပဲ အမျိုးမျိုးသော နိုင်ငံများ သို့မဟုတ် ဒေသများ တွင် ပို့ကုန် ထိန်းချုပ်မှုများကို ကြုံတွေ့ ရနိုင်ပါသည်။ သင့်အနေဖြင့် အပူဆိုင်ရာ အတွဲလိုက် ထုတ်ကုန်များကို မတူညီသော နိုင်ငံများအကြား လွှဲပြောင်းခြင်း၊ တင်ပို့ခြင်း၊ ထပ်မံတင်ပို့ခြင်း လုပ်ရန် ရည်ရွယ်ပါက ပို့ကုန် လိုင်စင် လိုအပ်ချက် တစ်စုံတစ်ရာ လိုအပ်ခြင်းရှိမရှိကို ကျွမ်းကျင်သော ဥပဒေ သို့မဟုတ် စည်းမျဉ်းလိုက်နာမှု ကျွမ်းကျင်သူများ သို့မဟုတ်

**i** Ürün görünümünü sadece referans içindir ve gerçek ürün farklı olabilir.

## 1 Giriş

### 1.1 Genel Bakış

Termografik ağ kutusu kamerası (bundan böyle "cihaz" olarak anılacaktır) uzaktan internet gözetimi, video sunucusu ve gerçek zamanlı sıcaklık ölçümü işlevlerini entegre eder.

Tarayıcılar ve istemciler aracılığıyla uzaktan iletim, ön izleme ve yapılandırma gerçekleştirilebilir. Esas olarak endüstriyel termografi, patlamaya dayanıklı entegrasyon, robot entegrasyonu vb. alanlarda uygulanır.

### 2 Görünüm Açıklaması

#### 2.1 Kameraya Genel Bakış (Sayfa 1, 2 – A)

Görünüm farklı modellere göre değişiklik gösterebilir. Lütfen gerçek ürünü referans alın.

No.	Bileşen	Açıklama
1	Termal Lens	Termal görüntüyü gösterir.
2	M3 Dişli Deliği	Vıdayı takmak içindir.
3	Ağ göstergesi	<ul style="list-style-type: none"> <li>Flaş: Ağ verilerini iletin.</li> <li>Sürekli Yanıyor: Ağ ile veri iletimi olmadan bağlantı kurulmuş.</li> </ul>
4	USB Type-C Yuvası	Verileri bir USB-C'den USB-A'ya kablo ile aktarın.
5	Sıfırlama Düğmesi	Sıfırlama düğmesine basın ve ardından güç kaynağına bağlayın. Sıfırlama düğmesine 10 sn basıp serbest bırakın. Cihaz fabrika ayarlarına geri yüklenecektir.
6	Terminal Soketi	12 pimli konektörler içerir.

7	Güç Göstergesi	<ul style="list-style-type: none"> <li>Sabit Yeşil: Cihaz çalışıyor.</li> <li>Sürekli Kırmızı: Cihaz başlatılıyor.</li> </ul>
8	Ağ Arayüzü	RJ-45, ağ iletişimi.
9	Ağ Kablosu	Kabloyu ağ bağlantı noktasına takarken, sabitlemek için kablunun üzerindeki vidaları sıkın.
10	Terminal Bloğu	Terminal bloğunu terminal soketine yerleştirin ve kabloları pim tanımına göre birleştirin.

#### 2.2 Pim Tanımı (Sayfa 2 – B)

No.	Sinyal	Açıklama
1	Güç	DC 10~30 V güç girişi.
2	GND	
3	UART_R	Cihaz hata ayıklaması için UART seri iletişim.
4	UART_T	
5	UART_P	
6	AL_IN	1 alarm girişi; 1 alarm çıkışı. Alarm çıkışı için harici güç kaynağı DC 60 V, 1.3 A'dan küçük olmalıdır.
7	AL_OUTA	
8	AL_OUTB	
9	RS-485+	RS-485 seri iletişim.
10	RS-485-	
11	GND	Yerel video için analog çıkış.
12	CVBS	

#### 3 Ağ Kamerasını Etkinleştirme ve Erişim

HIKMICRO Studio uygulamasını indirerek yüklemek için [www.hikmicrotech.com](http://www.hikmicrotech.com) adresini ziyaret edin. Ayrıntılı işlem için cihazın kullanım kılavuzuna bakın.

#### 4 Kurulum (Sayfa 3 – C)

**⚠** Tehlike:

- Personelin ve cihazın güvenliğini sağlamak

için cihazı kurarken, fişe takarken veya fişten çekerken tüm gücü kesin.

- Cihazın düzgün şekilde topraklandığından emin olun.
- Cihaz su geçirmez değildir. Cihazı doğrudan güneş ışığına maruz bırakmayın veya cihazı dış ortamlarda bağımsız olarak kurmayın.

#### 4.1 Braketlere Takma (Sayfa 3 – C.1)

**Not:** Adaptör kartı ve aşağıdaki resimde görülen 1/4-20 UNC vida cihazla birlikte verilmaz. Gerçek uygulamaya göre adaptör kartını ve 1/4-20 UNC vidayı hazırlayıp hazırlamayacağınızı seçin.

##### **Adımlar:**

1. Adaptör kartını (2)cihaza takmak için paketdeki M3 x 6 vidayı (3) kullanın.
2. Cihazı 1/4-20 UNC vida kullanarak takın (3).

#### 4.2 Doğrudan Takma (Sayfa 3 – C.2)

Cihazı doğrudan montaj yüzeyine monte ederken, M3 vidayı (5) M3 diş deliğine (4) çevirebilirsiniz; 2,5 mm).

#### 5 Su Geçirmezlik Yöntemi ((Sayfa 4 – D)

Cihazı entegre ederken, cihazınızın gerçek görünümüne göre su geçirmez bir tasarım yöntemi seçebilirsiniz.

- Model I cihaz için sayfa 4 – D.1'e bakın ve su geçirmez tasarım için O-şekilli sızdırmazlık halkası (1) kullanın.
- Model II cihaz için sayfa 4 – D.2'ye bakın ve su geçirmez tasarım için O-şekilli sızdırmazlık halkası (2) kullanın.

#### 6 Diğer İşlemler (Sayfa 4 – E)

Diğer işlemler için kullanıcı kılavuzunu indirerek üzere aşağıdaki QR Kodunu tarayın.

#### Mevzuata Uygunluk ve Güvenlik Bilgileri

Cihazı kullanmaya başlamadan önce bu belgedeki tüm bilgi ve talimatları dikkatlice okuyun ve daha sonra başvurmak üzere saklayın.

Cihazla ilgili bilgi ve talimatlar için lütfen web sayfamızı <https://www.hikmicrotech.com> ziyaret edin. Ayrıca daha fazla bilgi edinmek için (varsa) cihazla birlikte gelen belgelere bakabilir veya (varsa) paket üzerindeki QR kodunu tarayabilirsiniz.

#### **YASAL UYARI**

YÜRÜRLÜKTEKİ YASALARIN İZİN VERDİĞİ AZAMI ÖLÇÜDE, BU KILAVUZ VE AÇIKLANAN ÜRÜN, DONANIMI, YAZILIMI VE ÜRÜN

YAZILIMI İLE "OLDUĞU GİBİ" VE "TÜM ARIZALAR VE HATALAR İLE" SAĞLANIR. HIKMICRO, SINIRLAMA, SATILABİLİRLİK, KALİTE MEMNUNİYETİ VEYA BELİRLİ BİR AMACA UYGUNLUK DAHİL, AÇIK VEYA ZİMNİ HİÇBİR GARANTİ VERMEZ. ÜRÜNÜN SİZİN TARAFINIZDAN KULLANILMASIYLA İLGİLİ TÜM RİSKLER TARAFINIZA AİTTİR. HIKMICRO HİÇBİR DURUMDA, BU ÜRÜNÜN KULLANIMI İLE BAĞLANTILI OLARAK, HIKMICRO BU TÜR HASARLARIN OLASILIĞI HAKKINDA BİLGİLENDİRİLMİŞ OLSA BİLE, İŞ KARLARININ KAYBI, İŞ KESİNTİSİ, VERİ KAYBI, SİSTEM KESİNTİSİ, BELGE KAYBI, SÖZLEŞMENİN İHLALİ (İHMAL DAHİL), ÜRÜN SORUMLULUĞU GİBİ ZARARLAR DA DAHİL OLMAK ÜZERE, ÖZEL, SONUÇSAL, TESADÜFİ VEYA DOLAYLI ZARARLAR İÇİN SİZE KARŞI SORUMLU OLMAYACAKTIR.

HIKMICRO'NUN, İNTERNETİNİN DOĞAL GÜVENLİK RİSKLERİNİN GETİRDİĞİ SİBER SALDIRI, HACKER SALDIRISI, HACKER SALDIRISI, VİRÜS BULAŞMASINDAN KAYNAKLANAN ANORMAL ÇALIŞMA, GİZLİLİK SIZINTISI VEYA DİĞER ZARARLARDAN HERHANGİ BİR SORUMLULUK ALMAYACAĞINI KABUL EDİYORSUNUZ; ANCAK HIKMICRO, GEREKİRSE ZAMANINDA TEKNİK DESTEK SAĞLAYACAKTIR. BU ÜRÜNÜ YÜRÜRLÜKTEKİ TÜM YASALARA UYGUN OLARAK KULLANMAYI VE KULLANIMINIZIN YÜRÜRLÜKTEKİ YASALARA UYGUN OLMASINDAN YALNIZCA SİZİN SORUMLU OLDUĞUNUZU KABUL EDİYORSUNUZ. ÖZELLİKLE, BU ÜRÜNÜ, SINIRLAMA OLMASIZIN, TANITIM HAKLARI, FİKRİ MÜLKİYET HAKLARI VEYA VERİ KORUMA VE DİĞER GİZLİLİK HAKLARI DA DAHİL OLMAK ÜZERE ÜÇÜNCÜ TARAFLARIN HAKLARINI İHLAL ETMEYECEK ŞEKİLDE KULLANMAKTAN SİZ SORUMLUSUNUZ. BU ÜRÜNÜ, TOPLU İMHA SİLAHLARININ GELİŞTİRİLMESİ VEYA ÜRETİMİ, KİMYASAL YA DA BİYOLOJİK SİLAHLARIN GELİŞTİRİLMESİ VEYA ÜRETİMİ, HERHANGİ BİR NÜKLEER PATLAYICI YA DA GÜVENİLİR OLMAYAN NÜKLEER YAKIT DÖNGÜSÜ VEYA İNSAN HAKLARI İHLALLERİNİN DESTEKLENMESİ DAHİL HİÇBİR YASAKLANMIŞ SON KULLANIM İÇİN KULLANMAYACAKSINIZ.

BU KILAVUZ İLE İLGİLİ YASA ARASINDA HERHANGİ BİR ÇELİŞKİ OLMASI DURUMUNDA, İKİNCİSİ GEÇERLİDİR.

## Mevzuat Bilgisi

**Bu maddeler, yalnızca ilgili işarete veya bilgiye sahip ürünler için geçerlidir.**

## AB Uygunluk Beyanı

**CE** Bu ürün ve (varsa) verilen aksesuarlar da "CE" ile işaretlenmiştir ve bu nedenle 2014/30/EU (EMCD) Direktifi ve 2011/65/EU (RoHS) Direktifinde listelenen ilgili uyumlaştırılmış Avrupa standartlarına uygundur.

Not: Giriş voltajı 50 ila 1000 VAC veya 75 ila 1500 VDC arasında olan ürünler, 2014/35/EU (LVD) Direktifine, geri kalan ürünler de 2001/95/EC (GPSD) Direktifine uygundur. Referans olması için lütfen ilgili güç kaynağı bilgilerini kontrol edin.

Uyarı: Bu, A sınıfı bir üründür. Ev ortamında bu ürün radyo parazitine neden olabilir, bu durumda kullanıcının uygun önlemleri alması gerekebilir.



2012/19/EU Direktifi (WEEE direktifi): Bu sembole işaretlenmiş ürünler, Avrupa Birliği'nde ayrıştırılmamış belediye atığı olarak bertaraf edilemez. Doğru geri dönüşüm için, eşdeğer yeni ekipman satın aldıktan sonra bu ürünü yerel tedarikçinize iade edin veya belirtilen toplama noktalarında imha edin. Daha fazla bilgi için bkz: [www.recyclethis.info](http://www.recyclethis.info).



Yönetmelik (AB) 2023/1542 (Pil Yönetmeliği): Bu ürün bir pil içerir ve 2023/1542 sayılı (AB)



Yönetmeliğine uygundur. Pil Avrupa Birliği'nde ayrıştırılmamış belediye atığı

olarak imha edilemez. Pile özel bilgi edinmek için ürün belgelerine bakın. Pil, kadmiyum (Cd) veya kurşun (Pb) elementlerini gösteren harflerin yer aldığı bu sembole işaretlenmiştir. Doğru bir geri dönüşüm için pili tedarikçinize veya belirlenmiş toplama noktasına geri götürün. Daha fazla bilgi için bkz: [www.recyclethis.info](http://www.recyclethis.info).

## Güvenlik Talimatları

Bu talimatlar ile tehlikeleri veya mal kayıplarını önlemek için kullanıcının ürünü doğru şekilde kullanabilmesinin sağlanması amaçlanmıştır. Ekipmanı kullanmaya başlamadan önce lütfen tüm güvenlik bilgilerini okuyun.

## Yasalar ve Yönetmelikler

Cihaz yerel yasalara, elektrik güvenliği yönetmeliklerine ve yangın önleme yönetmeliklerine uygun şekilde kullanılmalıdır.

## Ulaşım

- Cihazı taşıırken orijinal ambalajının veya benzer bir ambalajın içerisine koyun.
- Ürünü düşürmeyin veya fiziksel darbeye maruz bırakmayın. Cihazı manyetik alarıdan uzak tutun.

## Elektrik Güvenliği

- DİKKAT: Cihazın sigortası değiştirilebiliyorsa, yangın veya elektrik çarpması riskini azaltmak için sadece aynı modelle değiştirin.
- Sigorta, nötr kabloya bağlıysa ve çift kutup/nötr sigorta oluşursa sigortanın çalıştırılmasından sonra cihazın elektrik barındırın kısımları servis sırasında tehlike oluşturabilir.
- Cihaz topraklı bir şebeke priz çıkışına takılmalıdır.
- Priz çıkışı, ekipmanın yakınına monte edilmeli ve kolayca erişilebilir olmalıdır.
- Cihaz kapatıldıktan sonra da elektrik olabileceğinden, çıplak bileşenlere (girişlerin metal temas noktaları gibi) dokunmayın ve en az 5 dakika bekleyin.
- Cihaz, güç kablوسuna bağlı terminallerden besleniyorsa, şebeke kaynağına bağlantı için doğru voltaj ve terminal kablolarının olduğundan emin olun.
- Ürünü kullanırken ülkenin ve bölgenin elektrik güvenliği yönetmeliklerine tam olarak uymanız gerekir.
- Cihaz, su damlamasına veya sıçramasına maruz bırakılmamalı ve cihaz üzerine vazo gibi içi sıvı dolu nesnelere konulmamalıdır.

## Pil

Uyarı:

- DİKKAT: Pil yanlış bir türle değiştirildiğinde patlama riski.
- Pilin yanlış türde bir pille uygun olmayan şekilde değiştirilmesi korumayı geçersiz hâle getirebilir (örneğin, bazı lityum pil türleri).
- Pili ateşe veya sıcak fırına atmayın veya pili

mekanik olarak patlayabilecek şekilde ezmemeyi veya kesmemeyi.

- Ürünü, patlamaya veya yanıcı sıvı veya gaz sızıntısına neden olabilecek ateş veya çalışır durumdaki fırın gibi aşırı yüksek sıcak ortamlara maruz bırakmayın.
- Ürünü ısıtılmış kaplara, çamaşır makinelerine veya basınçlı kaplara maruz bırakmayın.
- Bitmiş pilleri talimatlara göre atın.
- Bu ekipman çocukların olma ihtimalinin bulunduğu yerlerde kullanım için uygun değildir.

### **Yangın Önleme**

- Cihazın üzerine yanan mum gibi açık alev kaynakları konulmamalıdır.
- Havalandırma açıklıklarına sahip cihaz için havalandırma açıklıkları gazete, masa örtüsü veya perde gibi nesnelere kapatılarak havalandırma açıklıkları engellenmemelidir. Açıklıklar, hiçbir zaman cihazın yatak, koltuk, halı veya benzer bir yüzeye yerleştirilmesiyle engellenmemelidir.

### **Güç Kaynağı**

- Fişin elektrik prizine düzgün şekilde takıldığından emin olun.
- Aşırı yükten kaynaklı aşırı ısınmayı veya yangın tehlikelerini önlemek için bir güç kaynağına birden fazla cihaz TAKMAYIN.
- + simgesi kullanılan veya doğru akım üreten ekipmanın pozitif terminalerini belirtir. - simgesi kullanılan veya doğru akım üreten ekipmanın negatif terminalerini belirtir.

### **Montaj**

- Cihaz bu kılavuzdaki talimatlara göre kurun.
- Bu cihaz yaralanmayı önlemek için, kurulum talimatlarına uygun olarak kurulum yüzeyine güvenli bir şekilde bağlanmalıdır.
- Ekipmanı asla sağlam olmayan bir yere yerleştirmeyin. Ekipmanın düşmesi ciddi fiziksel yaralanmalara veya ölüme neden olabilir.

### **Sistem Güvenliği**

- Cihazla ilgili tüm parolaları ve diğer güvenlik ayarlarını yapılandırma ve kullanıcı adınızı ve parolanızı koruma sorumluluğunun sizde olduğunu unutmayın.

### **Bakım**

- Ürün düzgün şekilde çalışmıyorsa lütfen bayininize veya en yakın servis merkeziyle iletişime geçin. Yetkisiz onarım veya

bakımdan kaynaklanan sorunlar için herhangi bir sorumluluk kabul etmeyiz.

- Cihazı temiz bir bez ve gerekirse az miktarda etanol ile hafifçe silin.
- Ekipman, üretici tarafından belirtilmeyen bir şekilde kullanılırsa cihaz tarafından sağlanan koruma bozulabilir.
- Cihazın kablo bağlantısını sizin yapmanız gerekiyorsa, cihaz üzerinde etiketlenmiş elektrik parametrelerine göre güç sağlamak için ilgili kabloyu seçin. İlgili pozisyonda standart bir kablo sıyrıcı ile kabloyu sıyrın. Ciddi sonuçlardan kaçınmak için soyulmuş telin uzunluğu uygun olmalı ve iletkenler açıkta kalmamalıdır.

### **Kullanma Ortamı**

- Çalışma ortamının cihazın gereksinimlerini karşıladığından emin olun. Çalışma sıcaklığı, - 20 °C ila 50 °C (-4 °F ila 122 °F) arasında olmalı ve çalışma nemi %90'ın altında olmalıdır.
- Lensi, güneşe veya herhangi bir parlak ışığa doğru tutmayın.
- Cihazı yüksek elektromanyetik radyasyona MARUZ BIRAKMAYIN.

### **Acil Durum**

- Cihazı bağlamadan, kurmadan veya sökmenden önce gücün kesildiğinden emin olun.
- Cihazdan duman, koku veya ses geliyorsa hemen gücü kapatarak güç kablosunun bağlantısını kesin ve servis merkeziyle iletişime geçin.

### **Saat Senkronizasyonu**

- Yerel saat, ağın saatiyle senkronize değilse cihaz saatini ilk kez erişimde manuel olarak ayarlayın. Web tarayıcı/istemci yazılımı ile cihaza giderek zaman ayarları arayüzüne girin.

### **Üretim Adresi**

Oda 313, Birim B, Bina 2, 399 Danfeng Caddesi, Xixing Nahiyesi, Binjiang Bölgesi, Hangzhou, Zhejiang 310052, Çin  
Hangzhou Microimage Software Co., Ltd.

UYGUNLUK BİLDİRİMİ: Termal serisi ürünler, sınırlama olmaksızın Amerika Birleşik Devletleri, Avrupa Birliği, Birleşik Krallık ve / veya Wassenaar Düzenlemesinin diğer üye ülkeleri dahil olmak üzere çeşitli ülke veya bölgelerde ihracat kontrollerine tabi olabilir. Termal serisi ürünleri farklı ülkeler arasında

transfer etmeyi, ihraç etmeyi veya yeniden ihraç etmeyi düşünüyorsanız, lütfen gerekli ihracat lisansı gereklilikleri için profesyonel hukuk veya uyum uzmanınıza veya yerel hükümet yetkililerine danışın.

**i** Внешний вид изделия зависит от конкретной модели. Рисунки приведены только для справки.

## 1 Введение

### 1.1 Краткое описание

Сетевая термографическая корпусная камера (далее — «устройство») объединяет в себе функции дистанционного видеонаблюдения через Интернет, видеосервера и измерения температуры в реальном времени.

Дистанционная передача данных, предварительный просмотр и конфигурирование могут осуществляться посредством браузеров и клиентов. Это устройство в основном применяется в промышленной термографии, взрывобезопасной интеграции, интеграции с роботами и т. д.

## 2 Описание внешнего вида

### 2.1 Обзор камеры (страница 1, 2 – А)

Внешний вид зависит от конкретной модели. Учитывайте особенности фактического продукта.

№	Компонент	Описание
1	Тепловизионный объектив	Показ тепловизионного изображения.
2	Резьбовое отверстие М3	Для установки винта.
3	Индикатор сетевого подключения	<ul style="list-style-type: none"> <li>Мигает: передача данных по сети.</li> <li>Светится постоянно: подключение к сети без передачи данных.</li> </ul>
4	Гнездо USB Type-C	Передавайте данные с помощью

		кабеля USB-C на USB-A.
5	Кнопка сброса	Нажмите кнопку сброса и подключите источник питания. Нажмите кнопку сброса на 10 с и отпустите ее, чтобы вернуть заводские настройки устройства.
6	Клеммный socket	12 соедините лных контактов.
7	Индикатор питания	<ul style="list-style-type: none"> <li>Постоянно светится зеленым: устройство работает.</li> <li>Постоянно светится красным: устройство запускается.</li> </ul>
8	Сетевой интерфейс	RJ-45, обмен данными по сети.
9	Сетевая кабель	При подключении кабеля к сетевому порту затягивайте винты на кабеле для его закрепления.
10	Клеммная колодка	Вставьте клеммную колодку в клеммный

		сокет и соедините провода в соответствии с определением контактов.
--	--	--

устройство воздействию прямых солнечных лучей и не устанавливайте его на открытом воздухе.

#### 4.1 Установка на кронштейнах (страница 3 – С.1)

**Примечание.** Адаптерная пластина и винт 1/4-20 UNC с приведенной ниже иллюстрации не входят в комплект поставки устройства. Принимайте решение о том, нужно ли готовить адаптерную пластину и винт 1/4-20 UNC, исходя из фактической ситуации.

#### Порядок действий:

1. Воспользуйтесь 6 винтами М3 (①) из комплекта поставки, чтобы прикрепить к устройству адаптерную пластину (②).
2. Установите устройство с помощью винта 1/4-20 UNC (③).

#### 4.2 Непосредственная установка (страница 3 – С.2)

При установке устройства непосредственно на монтажную поверхность вы можете вкрутить винт М3 (⑤) в резьбовое отверстие М3 (④) глубина: 2,5 мм), чтобы присоединить устройство к монтажной поверхности.

#### 5 Водонепроницаемая конструкция (страница 4 – D)

При встраивании устройства вы можете выбирать метод создания водонепроницаемой конструкции с учетом фактического внешнего вида устройства.

- В случае устройства модели I для создания водонепроницаемой конструкции см. страницу 4 – D.1 и используйте круглое уплотнительное кольцо (①).
- В случае устройства модели II для создания водонепроницаемой конструкции см. страницу 4 – D.2 и используйте уплотнительное кольцо (②).

#### 6 Дополнительные операции (страница 4 – E)

Отсканируйте QR-код для получения руководства пользователя с описанием дополнительных операций.

**Соответствие нормативным требованиям и инструкции по технике безопасности**

## 2.2 Определение контактов (страница 2 – В)

№	Сигнал	Описание
1	Питание	Вход питания 10–30 В постоянного тока.
2	ЗАЗЕМЛ.	
3	UART_R	Последовательное подключение UART для отладки устройства.
4	UART_T	
5	UART_P	
6	AL_IN	1 вход сигнала тревоги, 1 выход сигнала тревоги.
7	AL_OUTA	
8	AL_OUTB	Характеристики внешнего источника питания для выхода сигнала тревоги должны составлять < 60 В, 1,3 А постоянного тока.
9	RS-485+	Связь через последовательный порт RS-485.
10	RS-485-	
11	ЗАЗЕМЛ.	Аналоговый выход локального видео.
12	CVBS	

## 3 Активация сетевой камеры и получение доступа к ней

Посетите [www.hikmicrotech.com](http://www.hikmicrotech.com), чтобы загрузить и установить HIKMICRO Studio. Подробную информацию см. в руководстве пользователя устройства.

### 4 Установка (страница 3 – С)

 Опасно!

- Чтобы обеспечить безопасность персонала и устройства, полностью отключайте питание при его установке, подключении или отключении.
- Убедитесь, что устройство заземлено надлежащим образом.
- Это устройство не является водонепроницаемым. Не подвергайте

Перед использованием устройства внимательно прочтите всю информацию и указания, содержащиеся в данном документе, и сохраните его для дальнейшего использования.

Для получения дополнительных инструкций или информации об устройстве, посетите наш сайт <https://www.hikmicrotech.com>. Для получения дополнительной информации вы также можете обратиться к другим прилагаемым к устройству документам (при их наличии) или отсканировать QR-код на упаковке (при его наличии).

### **ЗАЯВЛЕНИЕ ОБ ОГРАНИЧЕНИИ ОТВЕТСТВЕННОСТИ**

В МАКСИМАЛЬНОЙ СТЕПЕНИ, РАЗРЕШЕННОЙ ДЕЙСТВУЮЩИМ ЗАКОНОДАТЕЛЬСТВОМ, ДАННОЕ РУКОВОДСТВО И ОПИСАНИЕ ИЗДЕЛИЯ ВМЕСТЕ С АППАРАТНОЙ ЧАСТЬЮ, ПРОГРАММНЫМ ОБЕСПЕЧЕНИЕМ И ВСТРОЕННОЙ МИКРОПРОГРАММОЙ ПРЕДОСТАВЛЯЕТСЯ ПО ПРИНЦИПУ «КАК ЕСТЬ» И «СО ВСЕМИ НЕПОЛАДКАМИ И ОШИБКАМИ». НИКМИСРО НЕ ДАЕТ НИКАКИХ ЯВНЫХ ИЛИ ПОДРАЗУМЕВАЕМЫХ ГАРАНТИЙ, В ТОМ ЧИСЛЕ ГАРАНТИЙ ТОВАРНОЙ ПРИГОДНОСТИ, УДОВЛЕТВОРИТЕЛЬНОГО КАЧЕСТВА ИЛИ ПРИГОДНОСТИ ДЛЯ КОНКРЕТНЫХ ЦЕЛЕЙ. ПОТРЕБИТЕЛЬ ИСПОЛЬЗУЕТ ИЗДЕЛИЕ НА СВОЙ СТРАХ И РИСК. НИ ПРИ КАКИХ ОБСТОЯТЕЛЬСТВАХ КОМПАНИЯ НИКМИСРО НЕ НЕСЕТ ОТВЕТСТВЕННОСТИ ПЕРЕД ПОТРЕБИТЕЛЕМ ЗА КАКОЙ-ЛИБО СЛУЧАЙНЫЙ ИЛИ КОСВЕННЫЙ УЩЕРБ, ВКЛЮЧАЯ, СРЕДИ ПРОЧЕГО, УБЫТКИ ИЗ-ЗА ПОТЕРИ ПРИБЫЛИ, ПЕРЕРЫВОВ В ДЕЯТЕЛЬНОСТИ, ПОТЕРИ ДАННЫХ ИЛИ ДОКУМЕНТАЦИИ, ПОВРЕЖДЕНИЯ СИСТЕМ, БУДЬ ТО ПО ПРИЧИНЕ НАРУШЕНИЯ ДОГОВОРА, ПРОТИВОПРАВНЫХ ДЕЙСТВИЙ (В ТОМ ЧИСЛЕ ХАЛАТНОСТИ), УЩЕРБА ВСЛЕДСТВИЕ ИСПОЛЬЗОВАНИЯ ИЗДЕЛИЯ ИЛИ ИНОГО В СВЯЗИ С ИСПОЛЬЗОВАНИЕМ ДАННОГО ИЗДЕЛИЯ, ДАЖЕ ЕСЛИ КОМПАНИИ НИКМИСРО БЫЛО ИЗВЕСТНО О ВОЗМОЖНОСТИ ТАКОГО УЩЕРБА.

ПОТРЕБИТЕЛЬ ОСОЗНАЕТ, ЧТО ИНТЕРНЕТ ПО СВОЕЙ ПРИРОДЕ ЯВЛЯЕТСЯ ИСТОЧНИКОМ ПОВЫШЕННОГО РИСКА БЕЗОПАСНОСТИ И КОМПАНИЯ НИКМИСРО НЕ НЕСЕТ ОТВЕТСТВЕННОСТИ ЗА СБОИ В РАБОТЕ ОБОРУДОВАНИЯ, УТЕЧКУ ИНФОРМАЦИИ И ДРУГОЙ УЩЕРБ, ВЫЗВАННЫЙ КИБЕРАТАКАМИ, ХАКЕРАМИ, ВИРУСАМИ ИЛИ СЕТЕВЫМИ УГРОЗАМИ; ОДНАКО НАША КОМПАНИЯ ОБЕСПЕЧИВАЕТ СВОЕВРЕМЕННУЮ ТЕХНИЧЕСКУЮ ПОДДЕРЖКУ, ЕСЛИ ЭТО НЕОБХОДИМО.

ПОТРЕБИТЕЛЬ СОГЛАШАЕТСЯ ИСПОЛЬЗОВАТЬ ДАННОЕ ИЗДЕЛИЕ В СООТВЕТСТВИИ СО ВСЕМИ ПРИМЕНИМЫМИ ЗАКОНАМИ И НЕСЕТ ЛИЧНУЮ ОТВЕТСТВЕННОСТЬ ЗА ИХ СОБЛЮДЕНИЕ. В ЧАСТНОСТИ, ВЫ НЕСЕТЕ ОТВЕТСТВЕННОСТЬ ЗА ИСПОЛЬЗОВАНИЕ ДАННОГО ИЗДЕЛИЯ БЕЗ НАРУШЕНИЯ ПРАВ ТРЕТЬИХ ЛИЦ, В ТОМ ЧИСЛЕ ПРАВ НА ПУБЛИЧНОСТЬ, ИНТЕЛЛЕКТУАЛЬНУЮ СОБСТВЕННОСТЬ И ЗАЩИТУ ДАННЫХ И ДРУГИХ ПРАВ НА СОХРАНЕНИЕ КОНФИДЕНЦИАЛЬНОСТИ. ПОТРЕБИТЕЛЬ ОБЯЗУЕТСЯ НЕ ИСПОЛЬЗОВАТЬ ЭТО ИЗДЕЛИЕ В ЗАПРЕЩЕННЫХ ЦЕЛЯХ, В ТОМ ЧИСЛЕ ДЛЯ РАЗРАБОТКИ ИЛИ ПРОИЗВОДСТВА ОРУЖИЯ МАССОВОГО УНИЧТОЖЕНИЯ, ХИМИЧЕСКОГО ИЛИ БИОЛОГИЧЕСКОГО ОРУЖИЯ, ОСУЩЕСТВЛЕНИЯ КАКОЙ-ЛИБО ДЕЯТЕЛЬНОСТИ В КОНТЕКСТЕ ЯДЕРНОГО ОРУЖИЯ, НЕБЕЗОПАСНЫХ ОПЕРАЦИЙ С ЯДЕРНЫМ ТОПЛИВОМ ИЛИ ДЛЯ ПОДДЕРЖКИ НАРУШЕНИЙ ПРАВ ЧЕЛОВЕКА.

В СЛУЧАЕ РАЗНОЧТЕНИЙ МЕЖДУ НАСТОЯЩИМ РУКОВОДСТВОМ И ДЕЙСТВУЮЩИМ ЗАКОНОДАТЕЛЬСТВОМ, ПОСЛЕДНЕЕ ИМЕЕТ ПРИОРИТЕТ.

### **Нормативная информация**

**Данные положения применяются только в том случае, если изделие снабжено соответствующей отметкой или информацией.**

### **Декларация соответствия EU**

**CE** Настоящее изделие и аксессуары в комплекте поставки (при наличии таковых) отмечены символом «CE»,

который обозначает их соответствие применимым согласованным европейским стандартам, перечисленным в Директиве 2014/30/EU(EMCD) и Директиве 2011/65/EU(RoHS).

Примечание. На изделия с входным напряжением 50 – 1000 В переменного тока или 75 – 1500 В постоянного тока распространяется Директива 2014/35/EU (LVD), а на все остальные изделия – Директива 2001/95/EC (GPSD). См. характеристики конкретного источника питания.

Предупреждение: Данное оборудование относится к классу А. При использовании в бытовых целях данное оборудование может вызывать радиопомехи. В этом случае пользователю может потребоваться предпринять адекватные меры по их устранению.



Директива WEEE 2012/19/EU (по утилизации отходов электрического и электронного оборудования): На территории ЕС

запрещается утилизировать изделия с этой маркировкой как несортируемые бытовые отходы. Для надлежащей переработки следует передать это изделие местному поставщику после приобретения аналогичного нового оборудования либо доставить изделие в надлежащий пункт сбора отходов. Для получения дополнительной информации посетите веб-сайт [www.recyclethis.info](http://www.recyclethis.info).



Норматив (EU) 2023/1542 (Норматив на батареи): Данное изделие содержит батарею и соответствует Регламенту (ЕС) 2023/1542. Батарею запрещено утилизировать в



Европейском союзе в качестве несортированных бытовых отходов. Информацию о конкретной батарее см. в документации изделия. Маркировка батареи может включать в себя символы, которые обозначают ее химический состав: кадмий (Cd) или свинец (Pb). Для надлежащей утилизации отправьте батарею местному поставщику или утилизируйте ее в специальных пунктах приема отходов. Для

получения дополнительной информации посетите сайт [www.recyclethis.info](http://www.recyclethis.info)

## Инструкции по безопасности

Настоящие инструкции предназначены для того, чтобы пользователь мог правильно использовать устройство, чтобы избежать опасности или потери имущества. Перед использованием внимательно ознакомьтесь с информацией по технике безопасности.

## Законодательные акты и нормативные документы

При использовании этого устройства необходимо соблюдать местное законодательство, правила безопасной эксплуатации электрооборудования и правила противопожарной безопасности.

## Транспортировка

- Используйте оригинальную или схожую упаковку для транспортировки устройства.
- Не роняйте и не ударяйте устройство. Устройство необходимо размещать вдали от источников электромагнитных помех.

## Электробезопасность

- **ОСТОРОЖНО!** Если устройство допускает замену предохранителя, используйте для замены компоненты той же модели, чтобы снизить риск пожара или поражения электрическим током.
- Если предохранитель подсоединен к нулевому проводу и возникает ситуация с двумя полюсами/предохранителем в цепи нейтрали, после перегорания предохранителя детали устройства, которые остаются под напряжением, могут представлять опасность во время техобслуживания.
- Устройство должно быть подключено к заземленной сетевой розетке.
- Сетевая розетка должна находиться рядом с устройством и должна быть легко доступна.
- Не прикасайтесь к неизолированным компонентам (таким как металлические входные контакты) и подождите не менее 5 минут после выключения устройства, пока не разрядятся все электрические конденсаторы.
- Если клеммы питания устройства подключены к шнуру питания, проверьте

номинал напряжения и корректность разводки клемм перед подключением к электросети.

- Эксплуатация данного изделия должна выполняться в строгом соответствии с правилами безопасной эксплуатации электрооборудования, действующими в вашей стране и вашем регионе.
- Устройство не должно подвергаться воздействию капель и брызг воды; не допускается ставить на него предметы, наполненные жидкостью, например вазы с цветами.

## **Батарея**

Предупреждение:

- **ОСТОРОЖНО!** При установке батареи недопустимого типа существует риск взрыва.
- Установка батареи недопустимого типа может создать угрозу для безопасности (например, в случае некоторых типов литиевых батарей).
- Не бросайте батарею в огонь или горячую печь, не сдавливайте и не разрезайте батарею, поскольку это может привести к взрыву.
- Не подвергайте изделие воздействию источников высокой температуры, таких как открытое пламя или нагревательные печи, так как это может привести к взрыву и/или утечке легковоспламеняющейся жидкости или газа.
- Не используйте изделие вблизи горячих баков, стиральных машин или сосудов высокого давления.
- Утилизируйте использованные батареи в соответствии с инструкциями.
- Данное устройство не предназначено для использования в тех местах, где могут находиться дети.

## **Предотвращение пожара**

- Не ставьте на устройство источники открытого огня, например горящие свечи.
- В устройствах с вентиляционными отверстиями вентиляция должна быть беспрепятственной; на вентиляционных отверстиях не должны находиться посторонние предметы, в том числе газеты, скатерти и занавески. Не допускается размещение устройства на кровати, диване, ковре или другой поверхности, при котором

вентиляционные отверстия заблокированы.

## **Электропитание**

- Убедитесь, что вилка правильно подключена к розетке электропитания.
- Во избежание перегрева или возгорания из-за перегрузки **ЗАПРЕЩАЕТСЯ** подключать несколько устройств к одному адаптеру питания.
- + обозначает положительный контакт оборудования, который должен подключаться к источнику постоянного тока. - обозначает отрицательный контакт оборудования, который должен подключаться к источнику постоянного тока.

## **Установка**

- Установите устройство в соответствии с инструкциями, приведенными в настоящем руководстве.
- Во избежание травм устройство необходимо надежно закрепить на монтажной поверхности согласно инструкциям по установке.
- Никогда не ставьте оборудование на неустойчивую поверхность. Падение оборудования на человека может стать причиной серьезных травм или смерти.

## **Безопасность системы**

- Помните, что вы несете ответственность за конфигурирование всех паролей и прочих параметров безопасности устройства, а также за сохранность своего имени пользователя и пароля.

## **Техническое обслуживание**

- Если изделие не работает должным образом, обратитесь к дилеру или к специалистам ближайшего сервисного центра. Компания-изготовитель не несет ответственности за неисправности, возникшие в результате несанкционированного ремонта или технического обслуживания.
- При необходимости осторожно протрите устройство чистой салфеткой, смоченной небольшим количеством этилового спирта.
- Если оборудование используется способом, не указанным производителем, обеспечиваемая устройством безопасность может быть нарушена.

- Если вы хотите подключить устройство самостоятельно, выберите соответствующий кабель для подачи питания в соответствии с электрическими параметрами, указанными на паспортной табличке устройства. Снимите изоляцию в соответствующем месте с помощью стандартного инструмента для зачистки проводов. Во избежание негативных последствий длина оголенных проводов не должна быть чрезмерной, чтобы провода не замыкались и не подвергались воздействию окружающей среды.

#### **Требования к рабочей среде**

- Убедитесь, что рабочая среда удовлетворяет требованиям надлежащей работы устройства. Рабочая температура должна находиться в диапазоне от  $-20$  до  $50$  °C, рабочая влажность не должна превышать 90 %.
- Не направляйте объектив устройства на солнце или другие яркие источники света.
- ЗАПРЕЩАЕТСЯ устанавливать устройство в условиях воздействия сильного электромагнитного излучения.

#### **Кнопка подачи экстренного сигнала тревоги**

- Прежде чем подключать кабели, устанавливать или разбирать устройство, убедитесь, что питание отключено.
- Если устройство испускает дым, неприятный запах или шум, незамедлительно отключите электропитание, извлеките шнур питания и обратитесь в сервисный центр.

#### **Синхронизация времени**

- Если локальное время не было синхронизировано с сетевым временем, выполните ручную настройку времени устройства при первом доступе. Войдите в систему устройства через веб-браузер или клиентское ПО и перейдите в интерфейс настроек времени.

#### **Адрес производителя**

Комната 313, помещение «В», корпус 2, 399 Danfeng Road, район Xixing, округ Binjiang, Hangzhou, Zhejiang 310052, Китай  
Компания Hangzhou Microimage Software Co., Ltd.

**УВЕДОМЛЕНИЕ О СООТВЕТСТВИИ:** В различных странах и регионах, включая США, ЕС, Великобританию и/или другие страны, подписавшие Вассенарские соглашения, на тепловизионные устройства могут распространяться правила экспортного контроля. При необходимости транспортировки между странами, экспорта или реэкспорта тепловизионных устройств обратитесь к юристу, специалисту по соблюдению нормативно-правового соответствия или местным органам власти для получения информации о разрешении на экспорт.

**i** Зовнішній вигляд виробу зображено лише для довідки; вигляд фактичного виробу може відрізнятись.

## 1. Вступ

### 1.1 Огляд

Термографічна мережева корпусна камера (далі – «пристрій») об'єднує в собі функції системи дистанційного спостереження через інтернет, відеосервера й вимірювання температури в реальному часі.

Дистанційне передавання даних, попередній перегляд і конфігурування можна виконувати за допомогою браузерів і клієнтських програм. Пристрій здебільшого застосовується в промисловій термографії, вибухобезпечній інтеграції, інтеграції з роботами тощо.

## 2. Опис зовнішнього вигляду

### 2.1 Огляд камери (сторінка 1, 2 – А)

Зовнішній вигляд може відрізнятись в залежності від моделі. Для довідки див. фактичний виріб.

№	Компонент	Опис
1	Тепловізійний об'єктив	Показ теплового зображення.
2	Отвір із різьбою М3	Установлення гвинта.
3	Індикатор мережі	<ul style="list-style-type: none"> <li>• Блимають: передавання мережевих даних.</li> <li>• Свіяться: з'єднання з мережею встановлено, передавання даних відсутнє.</li> </ul>
4	Гніздо USB Type-C	Передавайте дані за допомогою кабелю USB-C на USB-A.
5	Кнопка скидання	Натисніть кнопку скидання та підключіть джерело

		живлення. Щоб відновити заводські налаштування пристрою, натисніть і утримуйте кнопку скидання протягом 10 с, після чого відпустіть кнопку.
6	Клемне гіздо	Містить 12 штирових роз'ємів.
7	Індикатор живлення	<ul style="list-style-type: none"> <li>• Немиготливий зелений: пристрій працює.</li> <li>• Немиготливий червоний: пристрій запускається.</li> </ul>
8	Мережевий інтерфейс	RJ-45, зв'язок із мережею.
9	Мережевий кабель	Під час підключення кабелю до мережевого порту затягніть гвинти на кабелі, щоб закріпити його.
10	Клемна колодка	Вставте клемну колодку в гніздо й з'єднайте дроти згідно зі схемою контактів.

### 2.2 Схема контактів (сторінка 2 – В)

№	Сигнал	Опис
1	Живлення	Вхід живлення 10–30 В постійного струму.
2	GND	
3	UART_R	Послідовний інтерфейс UART для
4	UART_T	

5	UART_P	налагодження пристрою.
6	AL_IN	1 вхід сигналу тривоги; 1 вихід сигналу тривоги. Характеристики зовнішнього джерела живлення для виходу сигналу тривоги мають становити < 60 В, 1,3 А постійного струму.
7	AL_OUTA	
8	AL_OUTB	
9	RS-485+	Послідовний інтерфейс RS-485.
10	RS-485-	
11	GND	Аналоговий вихід для локального відео.
12	CVBS	

### 3 Активация мережевої камери й доступ до неї

Перейдіть за посиланням: [www.hikmicrotech.com](http://www.hikmicrotech.com), щоб завантажити й установити HIKMICRO Studio. Детальні вказівки з експлуатації пристрою див. у посібнику користувача.

### 4 Установлення (сторінка 3 – С)

 Небезпечно!

- Під час встановлення, підключення або від'єднання пристрою повністю відключайте живлення, щоб гарантувати безпеку персоналу й пристрою.
- Стежте за тим, щоб пристрій було належним чином заземлено.
- Пристрій не водонепроникний. Не піддавайте пристрій впливу прямих сонячних променів і не встановлюйте пристрій окремо на вулиці.

#### 4.1 Установлення на кронштейнах (сторінка 3 – С.1)

**Примітка.** Адаптерна пластина й гвинт 1/4-20 UNC з наведеної нижче ілюстрації не постачаються з пристроєм. Приймайте рішення щодо того, чи готувати адаптерну пластину й гвинт 1/4-20 UNC, з огляду на фактичну ситуацію.

**Порядок установлення:**

1. Скористайтеся гвинтами М3 × 6 (①) з комплекту постачання, що прикріпити до пристрою адаптерну пластину (②).
2. Установіть пристрій за допомогою гвинта 1/4-20 UNC (③).

#### 4.2 Безпосереднє встановлення (сторінка 3 – С.2)

Коли пристрій установлюється безпосередньо на монтажну поверхню, ви можете вкрутити гвинт М3 (⑤) в отвір із різьбою М3 (④) глибина: 2,5 мм), щоб приєднати пристрій до монтажної поверхні.

#### 5 Водонепроникна конструкція (сторінка 4 – D)

Під час інтеграції пристрою ви можете вибрати метод створення водонепроникної конструкції з огляду на його фактичний зовнішній вигляд.

- У разі пристрою моделі I для створення водонепроникної конструкції див. сторінку 4 – D.1 і використовуйте кругле ущільнювальне кільце (①).
- У разі пристрою моделі II для створення водонепроникної конструкції див. сторінку 4 – D.2 і використовуйте ущільнювальне кільце (②).

#### 6 Інші операції (сторінка 4 – E)

Відскануйте QR-код, щоб отримати посібник користувача, у якому описуються інші операції.

#### Відповідність нормативним вимогам та інформація щодо техніки безпеки

Прочитайте всю інформацію й указівки, що містяться в цьому документі, та збережіть його для подальшого використання.

Для отримання більш детальної інформації про пристрій і вказівок щодо його використання відвідайте наш вебсайт: <https://www.hikmicrotech.com>. Крім того, щоб отримати більш детальну інформацію, ви можете звернутися до інших документів (якщо є), які постачаються разом із пристроєм, або відсканувати QR-код (якщо є) на упаковці.

#### ЗАЯВА ПРО ВІДМОВУ ВІД ВІДПОВІДАЛЬНОСТІ

В МАКСИМАЛЬНИХ МЕЖАХ, ДОЗВОЛЕНИХ ЗАСТОСОВУВАНИМ ЗАКОНОМ, ЦЕ КЕРІВНИЦТВО ТА ОПИСАНИЙ ВИРІБ, З

ЙОГО АПАРАТНИМ, ПРОГРАМНИМ ТА МІКРОПРОГРАМНИМ ЗАБЕЗПЕЧЕННЯМ, НАДАЮТЬСЯ «ЯК Є» ТА «ЗІ ВСІМА НЕДОЛІКАМИ ТА ПОМИЛКАМИ». НІКМІСРО НЕ НАДАЄ ЖОДИХ ГАРАНТІЙ, ЯВНИХ АБО ОЧІКУВАНИХ, ВКЛЮЧАЮЧИ, БЕЗ ОБМЕЖЕНЬ, КОМЕРЦІЙНІ ЯКОСТІ, ЗАДОВІЛЬНУ ЯКІСТЬ АБО ПРИДАТНІСТЬ ДЛЯ ХАРАКТЕРНОЇ МЕТИ. ВИКОРИСТАННЯ ВИРОБУ ВІДБУВАЄТЬСЯ НА ВАШ ВЛАСНИЙ РИЗИК. КОМПАНІЯ НІКМІСРО НІ В ЯКОМУ РАЗІ НЕ НЕСЕ ВІДПОВІДАЛЬНОСТІ ПЕРЕД ВАМИ ЗА БУДЬ-ЯКІ СПЕЦІАЛЬНІ, ЛОГІЧНО ВИТКАЮЧИ, ВИПАДКОВІ АБО НЕПРЯМІ ЗБИТКИ, ВКЛЮЧАЮЧИ, КРІМ ІНШОГО, ПОШКОДЖЕННЯ, ЩО ВЕДУТЬ ДО ВТРАТИ КОМЕРЦІЙНОГО ПРИБУТКУ, ПЕРЕРИВАННЯ ДІЛОВОЇ АКТИВНОСТІ АБО ВТРАТИ ДАНИХ, ПСУВАННЯ СИСТЕМ АБО ВТРАТИ ДОКУМЕНТАЦІЇ, НЕВАЖЛИВО, ЧИ ВНАСЛІДОК ПОРУШЕННЯ КОНТРАКТУ, ЦИВІЛЬНОГО ПРАВОПОРУШЕННЯ (ВКЛЮЧАЮЧИ НЕДБАЛІСТЬ), ВІДПОВІДАЛЬНОСТІ ЗА ВИРІБ, АБО ІНШИМ ЧИНОМ, ПОВ'ЯЗАНИХ З ВИКОРИСТАННЯМ ВИРОБУ, НАВІТЬ ЯКЩО КОМПАНІЯ НІКМІСРО ПОВІДОМЛЯЛА ПРО МОЖЛИВІСТЬ ТАКИХ ЗБИТКІВ АБО ВТРАТ. ВИ УСВІДОМЛЮЄТЕ, ЩО ПРИРОДА ІНТЕРНЕТУ НЕСЕ ПРИТАМАННІ РИЗИКИ ДЛЯ БЕЗПЕКИ, І КОМПАНІЯ НІКМІСРО НЕ БЕРЕ НА СЕБЕ НІЯКОЇ ВІДПОВІДАЛЬНОСТІ ЗА НЕНОРМАЛЬНУ РОБОТУ, ВТРАТУ КОНФІДЕНЦІЙНОСТІ АБО ІНШІ ЗБИТКИ В РЕЗУЛЬТАТІ КІБЕР-АТАК, ХАКЕРСЬКИХ АТАК, ЗАРАЖЕНЬ ВІРУСАМИ АБО ІНШИХ РИЗИКІВ ДЛЯ БЕЗПЕКИ В ІНТЕРНЕТІ, ОДНАК, КОМПАНІЯ НІКМІСРО В РАЗІ НЕОБХІДНОСТІ НАДАСТЬ СВОЄЧАСНУ ТЕХНІЧНУ ПІДТРИМКУ. ВИ ПОГОДЖУЄТЕСЬ ВИКОРИСТОВУВАТИ ЦЕЙ ВИРІБ У ВІДПОВІДНОСТІ ДО ВСІХ ЗАСТОСОВУВАНИХ ЗАКОНІВ, І ВИ НЕСЕТЕ ОДНООСІБНУ ВІДПОВІДАЛЬНІСТЬ ЗА ЗАБЕЗПЕЧЕННЯ ВИКОРИСТАННЯ ВИРОБУ ВІДПОВІДНО ДО ЗАСТОСОВУВАНОВОГО ЗАКОНУ. ЗОКРЕМА, ВИ НЕСЕТЕ ВІДПОВІДАЛЬНІСТЬ ЗА ВИКОРИСТАННЯ ЦЬОГО ВИРОБУ СПОСОБом, ЯКИЙ НЕ ПОРУШУЄ ПРАВА ТРЕТІХ СТОРІН, ВКЛЮЧАЮЧИ, БЕЗ ОБМЕЖЕНЬ, ПРАВА РОЗГОЛОШЕННЯ, ПРАВА ІНТЕЛЕКТУАЛЬНОЇ ВЛАСНОСТІ ТА ІНШІ

ПРАВА ЩОДО КОНФІДЕНЦІЙНОСТІ. ВИ НЕ ПОВИННІ ВИКОРИСТОВУВАТИ ЦЕЙ ВИРІБ ДЛЯ БУДЬ-ЯКОГО ЗАБОРОНЕНОГО КІНЦЕВОГО ПРИЗНАЧЕННЯ, ВКЛЮЧАЮЧИ РОЗРОБКУ ЧИ ВИРОБНИЦТВО ЗБРОЇ МАСОВОГО ЗНИЩЕННЯ, РОЗРОБКУ ЧИ ВИРОБНИЦТВО ХІМІЧНОЇ АБО БІОЛОГІЧНОЇ ЗБРОЇ, БУДЬ-ЯКІ ДІЇ В КОНТЕКСТІ, ПОВ'ЯЗАНОМУ З ЯДЕРНОЮ ВИБЕЗПЕЧОЮ РЕЧОВИНОЮ АБО НЕБЕЗПЕЧНИМ ЯДЕРНИМ ПАЛИВНИМ ЦИКЛОМ, АБО НА ПІДТРИМКУ ПОРУШЕНЬ ПРАВ ЛЮДИНИ.

У РАЗІ БУДЬ-ЯКИХ ПРОТИРІЧ МІЖ ЦИМ КЕРІВНИЦТВОМ ТА ЗАСТОСОВУВАНІМ ЗАКОНОМ, ОСТАННІЙ МАЄ ПЕРЕВАГУ.

### Нормативна інформація

**Ці положення застосовуються лише до продуктів, які мають відповідний знак або інформацію.**

### Декларація відповідності нормативним вимогам ЄС

**CE** Цей виріб й аксесуари до нього (якщо є в комплекті) мають маркування «CE», а тому відповідають чинним гармонізованим європейським стандартам, переліченим у Директиві з електромагнітної сумісності (EMCD) 2014/30/ЄС і Директиві щодо обмеження використання шкідливих речовин (RoHS) 2011/65/ЄС.

Примітка: Продукти з вхідною напругою від 50 до 1000 В змінного струму або від 75 до 1500 В постійного струму відповідають Директиві 2014/35/ЄС (LVD), а решта продуктів відповідає Директиві 2001/95/ЄС (GPSD). Щоб дізнатися напевно, перевірте інформацію про джерело живлення.

Увага! Це виріб класу А. У побутових умовах цей виріб може створювати радіоперешкоди, що може вимагати від користувача життя належних заходів.



Директива з утилізації електричного й електронного обладнання (WEEE) 2012/19/ЄС: Вироби, помічені цим символом,

не можна утилізувати у Європейському Союзі як несортовані побутові відходи. Щоб забезпечити правильну переробку

цього виробу, поверніть його місцевому постачальнику під час придбання аналогічного нового обладнання, або здайте його до спеціально призначеного пункту збирання відходів. Докладну інформацію дивіться на сайті: [www.recyclethis.info](http://www.recyclethis.info).



Регламент (ЄС) 2023/1542

(Регламент щодо акумуляторів): Цей виріб



містить батарею та відповідає Регламенту (ЄУ) 2023/1542. Батарею не можна

утилізувати в Європейському Союзі як несортвані побутові відходи.

Інформацію щодо батареї див. у документації до виробу. Батарея помічена символом, який може включати букви, що вказують на наявність кадмію (Cd) або свинцю (Pb). Щоб забезпечити правильну переробку батареї, поверніть її постачальнику або здайте до спеціалізованого пункту збирання відходів. Більше інформації див. на сайті: [www.recyclethis.info](http://www.recyclethis.info)

### Указівки з техніки безпеки

Ці інструкції дозволять користувачу використовувати виріб правильно та уникати небезпеки чи пошкодження майна. Перш ніж використовувати пристрій, прочитайте всю інформацію щодо техніки безпеки.

### Закони та норми

Пристрій слід використовувати з дотриманням місцевих законів, електротехнічних норм та правил протипожежної безпеки.

### Транспортування

- Під час транспортування зберігайте пристрій в оригінальному або подібному пакуванні.
- Не допускайте падіння виробу або впливу на нього механічних ударів. Тримайте пристрій подалі від магнітних завод.

### Електрична безпека

- **ОБЕРЕЖНО:** Якщо пристрій має змінний запобіжник, замінійте запобіжник лише на запобіжник такої ж моделі, щоб зменшити ризик пожежі й ураження електричним струмом.

- Якщо до нейтрального дроту під'єднано запобіжник і використовується плавкий двополісний запобіжник / запобіжник у нейтралі, то після спрацювання запобіжника ті частини пристрою, які залишаються під напругою, можуть становити небезпеку під час технічного обслуговування.

- Пристрій слід підключати до електричної розетки з заземленням.

- Розетка має бути встановлена біля пристрою і до неї повинен бути вільний доступ.

- Не торкайтесь оголених компонентів (таких як металеві контакти вхідних роз'ємів) і зачекайте щонайменше 5 хвилин після вимкнення пристрою, оскільки ці компоненти все ще можуть знаходитися під напругою.

- Якщо пристрій живиться через клєми, до яких підключається шнур живлення, переконайтеся, що клєми, на які подається мережеве живлення, розраховані на відповідну напругу й правильно з'єднані.

- Під час експлуатації виробу суворо дотримуйтеся державних і місцевих правил електричної безпеки.

- Не допускайте потрапляння на пристрій крапель чи бризок. У жодному разі не ставте на пристрій предмети, наповнені рідиною, як-от вази.

### Батарея

Увага!

- **ОБЕРЕЖНО:** Встановлення батареї невідповідного типу може призвести до вибуху.

- Встановлення батареї невідповідного типу може призвести до порушення системи захисту (зокрема, у разі використання літєвих батарей деяких типів).

- Не кидайте батарею у вогонь або в гарячу піч, не розбивайте та не розрізуйте її. Це може призвести до вибуху.

- Не розміщуйте виріб у середовищі з дуже високою температурою, зокрема, у вогні або в печі. Це може призвести до вибуху або витоку вогнєнебезпечної рідини або газу.

- Не кладіть виріб у працюючі нагрівальні камери, пральні машини й камери високого тиску.

- Утилізуйте використані батареї згідно з інструкціями.

- Це обладнання не підходить для використання в місцях, де можуть перебувати діти.

### **Запобігання пожежі**

- Забороняється розміщувати на пристрої джерела відкритого вогню, як-от свічки, які горять.

- У випадку пристроїв із вентиляційними отворами не можна перешкоджати вентиляції шляхом накривання вентиляційних отворів різними предметами, як-от газетами, скатертинами або шторами. Забороняється блокувати отвори шляхом розміщення пристрою на ліжку, дивані або іншій аналогічній поверхні.

### **Живлення**

- Переконайтесь, що штепсельну вилку надійно зафіксовано в розетці.

- НЕ ПІДКЛЮЧАЙТЕ декілька пристроїв до одного адаптера живлення, щоб уникнути перегрівання чи небезпеки пожежі внаслідок перенавантаження.

- + позначає позитивну клему(и) обладнання, що використовує постійний струм чи генерує його. - позначає негативну клему(и) обладнання, що використовує постійний струм чи генерує його.

### **Установлення**

- Установлюйте пристрій відповідно до вказівок у цій інструкції.

- Щоб уникнути травм, цей пристрій слід надійно закріпити на монтажній поверхні відповідно до вказівок щодо встановлення.

- Ніколи не розміщуйте обладнання на хиткій поверхні. Обладнання може впасти, що може призвести до серйозної травми або смерті.

### **Безпека системи**

- Усвідомте, що ви несете відповідальність за налаштування всіх паролів та інших параметрів безпеки пристрою, а також за збереження свого імені користувача та пароля.

### **Технічне обслуговування**

- Якщо виріб не працює належним чином, зверніться до вашого дилера або

найближчого сервісного центру. Ми не несемо жодної відповідальності за проблеми, які виникли внаслідок недозволеного ремонту чи догляду.

- За потреби обережно протріть пристрій чистою тканиною, змоченою невеликою кількістю етилового спирту.

- Якщо обладнання використовується в спосіб, не зазначений виробником, то забезпечувану пристроєм безпеку може бути порушено.

- Якщо вам потрібно самостійно під'єднати пристрій, вибирайте належний провід для подачі живлення відповідно до електричних характеристик, зазначених на пристрої. За допомогою стандартного пристрою для зняття ізоляції видаліть ізоляцію з частини проводу відповідної довжини. Щоб уникнути тяжких наслідків, довжина оголеного проводу повинна бути належною, а контакт з оголеними проводами повинен бути виключений.

### **Умови експлуатації**

- Переконайтесь, що середа використання відповідає умовам експлуатації пристрою. Робоча температура має становити від -20 °C до 50 °C (від -4 °F до 122 °F), а відносна вологість не має перевищувати 90 %.

- НЕ СПРЯМОВУЙТЕ об'єкти в сонце або інші джерела яскравого світла.

- НЕ піддавайте пристрій впливу сильного електромагнітного випромінювання.

### **Аварійні ситуації**

- Перш ніж під'єднувати, встановлювати або розбирати пристрій, переконайтесь, що живлення від'єднано.

- Якщо пристрій випускає дим, запах або видає шум, негайно вимкніть живлення, від'єднайте кабель живлення та зверніться в сервісний центр.

### **Синхронізація часу**

- Під час першого використання встановіть час пристрою вручну, якщо він не синхронізувався за мережею. Перейдіть до пристрою за допомогою веббраузера / клієнтського програмного забезпечення, після чого перейдіть до інтерфейсу налаштувань часу.

### **Адреса виробника**

Кімната 313, блок Б, будівля 2, 399 Данфен  
Роуд, підрайон Сісін, район Бінъцзян, м.  
Ханчжоу, Чжецзян, 310052, Китай  
Hangzhou Microimage Software Co., Ltd.

**ПРИМІТКА ЩОДО ВІДПОВІДНОСТІ  
НОРМАТИВНИМ ВИМОГАМ:** Пристрої  
теплової серії можуть регулюватися  
положеннями контролю експорту в різних  
країнах або регіонах, включаючи, без  
обмежень, Сполучені Штати Америки,  
Європейський Союз, Об'єднане Королівств  
та/або інші країни-учасники Вассенаарської  
домовленості. Проконсультуйтеся з вашим  
професійним юристом або експертом із  
відповідності нормативним вимогам чи  
місцевими органами влади щодо  
необхідності експортних ліцензій, якщо ви  
плануєте передавати, експортувати або  
реекспортувати пристрої теплової серії між  
різними країнами.

**i** 이 설명서에 있는 제품 그림은 참고용이며 실제 제품과 다를 수 있습니다.

**1 소개**

**1.1 개요**

열화상 네트워크 박스 카메라(이하 "장치")는 원격 인터넷 감시, 비디오 서버, 실시간 온도 측정 기능을 통합합니다.

원격 전송, 미리보기 및 구성은 브라우저와 클라이언트를 통해 수행될 수 있습니다. 주로 산업용 열화상 장치, 방폭 통합, 로봇 통합 등에 적용됩니다.

**2 외관 설명**

**2.1 카메라 개요 (1,2 페이지 - A)**

외관은 모델에 따라 달라질 수 있습니다. 실제 제품을 참조하시기 바랍니다.

번호	구성요소	설명
1	열화상 렌즈	열화상 이미지를 표시합니다.
2	M3 스레드 홀	나사를 설치합니다.
3	네트워크 표시등	<ul style="list-style-type: none"> <li>깜박임: 네트워크 데이터를 전송합니다.</li> <li>점등: 데이터 전송 없이 네트워크가 연결되어 있습니다.</li> </ul>
4	USB Type-C 소켓	USB-C to USB-A 케이블을 사용하여 데이터를 전송하십시오.
5	초기화 버튼	초기화 버튼을 누른 다음 전원 공급 장치를 연결합니다. 초기화 버튼을 10 초 동안 길게 눌렀다 떼면 장치가 공장 기본값 설정으로 복원됩니다.

6	터미널 소켓	12 개의 핀 커넥터를 포함합니다.
7	전원 표시기	<ul style="list-style-type: none"> <li>녹색 켜짐: 장치 작동.</li> <li>빨간색 켜짐: 장치 시작.</li> </ul>
8	네트워크 인터페이스	RJ-45, 네트워크 통신.
9	네트워크 케이블	케이블을 네트워크 포트에 연결할 때는 케이블의 나사를 조여 고정합니다.
10	터미널 블록	터미널 블록을 터미널 소켓에 삽입하고 핀 정의를 참조하여 와이어를 결합합니다.

**2.2 핀 정의(2 페이지 - B)**

번호	신호	설명
1	전원	DC 10~30V 전원 입력.
2	GND	
3	UART_R	UART 직렬 통신, 장치 디버깅용.
4	UART_T	
5	UART_P	
6	AL_IN	1 알람 입력, 1 알람 출력. 알람 출력을 위한 외부 전원 공급 장치는 DC 60V, 1.3A 미만이어야 합니다.
7	AL_OUTA	
8	AL_OUTB	
9	RS-485+	RS-485 직렬 통신.
10	RS-485-	
11	GND	로컬 비디오의 아날로그 출력.
12	CVBS	

**3 네트워크 카메라 활성화 및 액세스**

www.hikmicrotech.com 을 방문하여 HIKMICRO Studio 를 다운로드하고 설치하십시오. 자세한 작동은 장비의 사용 설명서를 참조하십시오.

## 4 설치(3 페이지 - C)

### ⚠ 위험:

- 장치를 설치하거나, 플러그를 연결하거나 연결 해제할 때 모든 전원을 차단하여 작업자와 장치의 안전을 보장합니다.
- 장치가 제대로 접지되었는지 확인합니다.
- 이 장비는 방수되지 않습니다. 장치를 직사광선에 노출시키거나 실외 환경에 별도로 설치하지 마십시오.

### 4.1 브래킷에 설치(3 페이지 - C.1)

**참고.** 아래 그림의 어댑터 보드와 1/4-20 UNC 나사는 장치와 함께 제공되지 않습니다. 실제 적용에 따라 어댑터 보드와 1/4-20 UNC 나사를 준비할지 여부를 선택합니다.

#### 단계:

1. 패키지에 있는 M3×6 나사(①)를 사용하여 어댑터 보드(②)를 장치에 연결합니다.
2. 1/4-20 UNC 나사(③)를 사용하여 장치를 설치합니다.

### 4.2 직접 설치(3 페이지 - C.2)

장치를 장착 표면에 직접 설치할 때 M3 나사(⑤)를 M3 스투드 홀(④) 깊이: 2.5 mm)에 돌려 넣어 장치를 장착 표면에 연결할 수 있습니다.

### 5 방수 설계(4 페이지 - D)

장치를 통합할 때, 실제 장치의 외관에 따라 방수 설계 방법을 선택할 수 있습니다.

- 모델 I 장치의 경우, 4 페이지 - D.1 을 참조하고 방수 설계를 위해 O형 밀봉 링(①)을 사용합니다.
- 모델 II 장치의 경우, 4 페이지 - D.2 를 참조하고 방수 설계를 위해 밀봉 링(②)을 사용합니다.

### 6 작업 더 보기(4 페이지 - E)

작업을 더 보려면 아래 QR 코드를 스캔하여 사용 설명서를 받으십시오.

#### 규정 준수 및 안전 정보

장치를 사용하기 전에 이 문서의 정보를 모두 주의 깊게 읽고 나중에 참조할 수 있게 보관하십시오.

장치 정보와 안내를 자세히 확인하려면 <https://www.hikmicrotech.com> 웹 사이트에 방문하십시오. 장비와 함께 제공된 다른 설명서(있는 경우)를 참조하거나 패키지의 QR 코드(있는 경우)를 스캔하여 자세한 정보를 알아보실 수 있습니다.

#### 법적 고지 사항

관련 법률에서 허용하는 최대 범위에서 본 매뉴얼 및 설명된 제품은 하드웨어, 소프트웨어와 펌웨어의 모든 결함 및 오류가 “있는 그대로” 제공됩니다. HIKMICRO 는 상품성, 품질 만족도, 특정 목적에의 적합성 및 타사의 비침해를 포함하여 이에 국한되지 않고 명시적 또는 묵시적으로 보증하지 않습니다. 제품 사용 시 책임은 전적으로 사용자에게 있습니다. 어떠한 경우에도 HIKMICRO 은 제품의 사용과 관련해 발생하는 특별한, 결과적, 부수적 또는 간접적 손해 및 특히 사업상의 이익 손실, 운영 중단으로 인한 손해 또는 데이터의 손실, 시스템 장애 또는 문서의 손실에 대해 계약 위반, 불법 행위(과실 책임 포함), 제조물 책임 또는 그 외 제품 사용 관련성과 관계없이 일질 책임지지 않으며 HIKMICRO 이 해당 손상 또는 손실이 발생할 가능성을 권고한 경우에도 그렇습니다.

귀하는 인터넷의 특성상 본질적으로 보안 위험이 잠재해 있음을 인정하며, HIKMICRO 는 사이버 공격, 해커 공격, 바이러스 감염 또는 기타 인터넷 보안 위험으로 인해 발생한 비정상 작동, 개인정보 유출 또는 기타 손해에 대해 일질 책임지지 않습니다. 그러나 HIKMICRO 는 필요한 경우 시기적절하게 기술 지원을 제공합니다.

귀하는 해당되는 모든 법률을 준수해 본 제품을 사용하는 데 동의하며, 해당되는 법률을 준수해 사용하는 것은 전적으로 귀하의 책임입니다. 특히, 귀하는 퍼블리시티권, 지적 재산권, 데이터 보호 및 기타 개인 정보 보호권을 포함하여 이에 국한되지 않고 제 3 자의 권리를 침해하지 않는 방식으로 본 제품을 사용하는 것에 대해 책임을 집니다. 귀하는 대량 살상 무기 개발 또는 생산, 화학 또는 생물 무기 개발 또는 생산, 핵폭발 또는 안전하지 않은 핵연료 주기와 관련된 또는 인권 침해를 조장할 수 있는 개발 또는 생산을 포함해 금지된 최종 용도를 위해 본 제품을 사용하지 않습니다. 본 매뉴얼과 적용되는 법률 사이에 충돌이 발생하는 경우 법률이 우선합니다.

#### 규제 정보

**이 조항은 해당 마크 또는 정보가 있는 제품에만 적용됩니다.**

#### EU 규정 준수 이행서

**CE** 본 제품은 물론 제공되는 액세서리(해당되는 경우)에도 “CE”가 표시되어 있으므로 Directive 2014/30/EU(EMCD), Directive 2011/65/EU(RoHS)에 명시된 적용되는 유럽 공통 표준을 준수합니다.

노트: 입력 전압이 50~1000 VAC 또는 75~1500 VDC 이내인 제품은 Directive 2014/35/EU(LVD)를, 나머지 제품은 Directive 2001/95/EC(GPSD)를 준수합니다. 참조를 위해 특정 전원 공급 장치 정보를 확인하십시오.

경고: A 등급 제품입니다. 가정 환경에서 본 제품은 전파장애를 일으킬 수 있으며, 이 경우 사용자가 적절한 조치를 해야 할 수 있습니다.



**Directive 2012/19/EU (WEEE 지침):** 이 기호가 표시된 제품은 유럽 연합 내에서 분류되지 않은 일반폐기물로 폐기할 수 없습니다. 적절히

재활용하기 위해 동급 장비를 새로 구매할 때 현지 공급업체에 제품을 반납하거나 지정된 수거 장소에 폐기하십시오. 자세한 내용 확인: [www.recyclethis.info](http://www.recyclethis.info).



**규정(EU) 2023/1542(배터리 규정):** 이 제품에는 배터리가 포함되어 있으며 규정(EU) 2023/1542를 준수합니다. 배터리는 유럽 연합 내에서 분류되지 않은 일반폐기물로 폐기할 수

없습니다. 특정 배터리에 관한 자세한 내용은 제품 관련 문서를 참조하십시오. 이 기호가 표시된 배터리에는 카드뮴(Cd) 또는 납(Pb)을 나타내는 문자가 포함될 수 있습니다. 적절히 재활용하기 위해 공급업체에 배터리를 반납하거나 지정된 수거 장소에 폐기하십시오. 자세한 내용은 [www.recyclethis.info](http://www.recyclethis.info)를 참조하십시오.

### 안전 지침

이 지침은 사용자가 제품을 올바르게 사용해 위험 또는 재산상의 손실을 방지하도록 하기 위해 제공되는 것입니다. 사용하기 전에 모든 안전 정보를 주의 깊게 읽으십시오.

### 법률 및 규정

이 장비는 현지 법률, 전기 안전 규정 및 화재 예방 규정을 준수해 사용해야 합니다.

### 운반

- 장비를 운반할 때는 본래 포장재 또는 유사한 포장재에 장비를 놓으십시오.
- 제품을 떨어뜨리거나 물리적 충격을 가하지 마십시오. 장비가 전자파의 간섭을 받지 않도록 하십시오.

### 전기 안전

- 주의 사항: 장치의 퓨즈를 교체할 수 있는 경우 동일한 모델로만 교체하여 화재나 감전의 위험을 줄입니다.
- 퓨즈가 중성선에 연결되어 이중 극/중성

퓨즈가 발생할 경우, 퓨즈를 작동한 후 수리하는 동안 통전 상태를 유지하는 장치의 부품이 위험을 나타낼 수 있습니다.

- 장치는 접지된 주 전원 콘센트에 연결해야 합니다.
- 콘센트는 장치 근처에 설치되어 있어야 하고 쉽게 액세스할 수 있어야 합니다.
- 장치의 전원을 끈 후에도 전기가 계속 유지될 수 있으므로 노출된 부품(유입구의 금속 접점 등)을 만지지 말고 최소 5분 동안 기다립니다.
- 전원 코드에 연결된 단자로 장치에 전원이 공급되는 경우, 주 전원 공급 장치에 연결하기 위한 단자의 전압과 배선이 올바른지 확인합니다.
- 본 제품을 사용할 때는 해당 국가 및 지역의 전기 안전 규정을 철저히 준수해야 합니다.
- 물이 떨어지거나 튀는 곳에 장비를 노출해서는 안 되며 꽃병과 같이 액체가 들어 있는 물체를 장비 위에 두어서는 안 됩니다.

### 배터리

경고:

- 주의 사항: 배터리를 잘못된 유형으로 교체하면 폭발의 위험이 있습니다.
- 배터리를 잘못된 유형으로 부적절하게 교체하면 안전장치가 작동하지 않을 수 있습니다(예: 일부 리튬 배터리 유형의 경우).
- 배터리를 불 또는 뜨거운 오븐에 넣거나 기계적으로 부수거나 절단하지 마십시오. 폭발의 위험이 있습니다.
- 제품이 불이나 가열 오븐과 같은 극단적인 고온 환경에 노출되지 않도록 하십시오. 폭발하거나 인화성 액체 또는 기체가 누출될 수 있습니다.
- 가열 용기, 세탁기 또는 압력 용기에 제품을 넣지 마십시오.
- 사용한 배터리는 지침을 준수해 폐기하십시오.
- 이 장비는 어린이가 있을 수 있는 장소에서 사용하기에 적합하지 않습니다.

### 화재 예방

- 불이 켜진 촛불과 같이 불꽃이 드러나는 화염원을 장치 위에 놓지 마십시오.
- 환기구가 있는 장치의 경우 신문지, 식탁보 및 커튼과 같은 물품으로 환기구를 덮음으로써 환기구를 방해해서는 안 됩니다. 장치를 침대, 소파, 융단 또는 다른 유사한 표면에 놓음으로써 개구부를 막아서는 안 됩니다.

### 전원 공급 장치

- 플러그가 전원 소켓에 올바르게 연결되어 있는지 확인하십시오.
- 과부하로 인한 과열 또는 화재 위험을

방지하기 위해 하나의 전원 어댑터에 여러 장비를 연결하지 마십시오.

● +은 직류에 사용하거나 직류를 생성하는 장비의 양극 터미널을 의미합니다. -은 직류에 사용하거나 직류를 생성하는 장비의 음극 터미널을 의미합니다.

### 설치

● 이 매뉴얼의 지침에 따라 장치를 설치하십시오.

● 부상을 방지하기 위해 설치 지침에 따라 이 장치를 설치 표면에 단단히 고정해야 합니다.

● 장비를 불안정한 장소에 놓아서는 절대 안 됩니다. 장비가 추락해 심각한 부상 또는 사망을 초래할 수 있습니다.

### 시스템 보안

● 귀하는 장비와 관련된 모든 비밀번호 및 기타 보안 설정을 구성하고 사용자 이름 및 비밀번호를 관리할 책임이 있음을 이해합니다.

### 유지 관리

● 제품이 제대로 작동하지 않을 경우 판매점 또는 가까운 서비스 센터에 문의하십시오.

당사는 무단 수리 또는 유지 관리로 인해 발생한 문제에 대해 일절 책임지지 않습니다.

● 필요한 경우 깨끗한 헝겊에 에탄올을 소량 묻혀 장비를 살짝 닦아주십시오.

● 제조사가 지정하지 않은 방식으로 장비를 사용하는 경우 장비에 의해 제공되는 보호 성능이 손상될 수 있습니다.

● 장비를 직접 배선해야 하는 경우 장비에 라벨로 표시된 전기 파라미터에 따라 해당하는 전선을 선택해 전원을 공급하십시오. 해당 위치에서 표준 와이어 스트리퍼로 와이어를 벗깁니다. 심각한 결과를 초래하지 않도록 벗긴 와이어의 길이가 적절해야 하며, 도체가 노출되지 않아야 합니다.

### 사용 환경

● 작동 환경이 장비의 작동 요구 사항을 충족하도록 하십시오. 작동 온도는 -20°C~-50°C(-4°F~122°F)여야 하며 작동 습도는 90% RH 미만이어야 합니다.

● 렌즈를 태양 또는 기타 밝은 빛에 조준하지 마십시오.

● 장치를 전자파 방사가 높은 환경에 노출하지 마십시오.

### 비상 버튼

● 장비를 연결, 설치, 분해하기 전에 전원 연결이 해제되어 있는지 확인하십시오.

● 장비에서 연기, 냄새 또는 소음이 발생하면 즉시 전원을 끄고 전원 케이블을 뽑은 다음 서비스 센터에 연락하십시오.

### 시간 동기화하기

● 로컬 시간이 네트워크 시간과 동기화되지 않은 경우 처음 액세스할 때 장치 시간을 수동으로 설정합니다. 웹 브라우저/클라이언트 소프트웨어를 통해 장치를 방문하고 시간 설정 인터페이스로 이동합니다.

### 제조사 주소

중국저장성 310052 항저우빈장구시싱하위지구단  
펑가 399 빌딩 2, B 동, 룸 313

Hangzhou Microimage Software Co., Ltd.

규정 준수 알림: 열화상 시리즈 제품은 미국, 유럽 연합, 영국 및/또는 기타 바세나르 협정국을 포함하되 이에 국한되지 않고 여러 국가 및 지역의 수출 통제 대상이 될 수 있습니다. 열화상 시리즈 제품을 국가 간 운송, 수출, 재수출하려는 경우 필요한 수출 라이선스 요구 사항에 대해 법률 또는 규정 준수 전문가 또는 해당 국가의 정부 기관에 문의하십시오.

**i** 製品外観はイメージです。実際の製品と異なる場合があります。

## 1 はじめに

### 1.1 概要

サーモグラフィックネットワークボックスカメラ（以下「デバイス」）には、リモートインターネット監視、ビデオサーバー、リアルタイム温度測定機能が統合されています。

リモート送信、プレビュー、および設定は、ブラウザやクライアントを介して実現できます。主に産業用サーモグラフィ、防爆統合、ロボット統合などに適用されます。

## 2 外観の説明

### 2.1 カメラの概要 (1、2 ページ -A)

外観はモデルによって異なる場合があります。実際の製品を手にとって参照してください。

番号	コンポーネント	説明
1	サーマルレンズ	サーマル画像を表示します。
2	M3 ネジ穴	ネジを取り付けるには。
3	ネットワークインジケータ	<ul style="list-style-type: none"> <li>フラッシュ：ネットワークデータを送信します。</li> <li>点灯：ネットワークは接続されていますが、データを送信してません。</li> </ul>
4	USB Type-C ソケット	USB-C to USB-A ケーブルを使用してデータを送信してください。
5	リセットボタン	リセットボタンを押してから電源を接続します。リセットボタンを

		10 秒間押してから離すと、デバイスが工場設定に復元されます。
6	端子ソケット	12 ピンコネクタが含まれています。
7	電源インジケータ	<ul style="list-style-type: none"> <li>緑色で点灯：デバイスを操作中。</li> <li>赤色で点灯：デバイスを起動中。</li> </ul>
8	ネットワークインターフェイス	RJ-45、ネットワーク通信
9	ネットワークケーブル	ケーブルをネットワークポートに接続するときは、ケーブルのネジを締めて固定します。
10	端子台	端子台を端子ソケットに挿入し、ピンの定義を参照して配線を接続します。

### 2.2 ピンの定義 (2 ページ -B)

番号	シグナル	説明
1	電源	DC 10~30 V 電源入力。
2	GND	
3	UART_R	デバイスのデバッグ用 UART シリアル通信。
4	UART_T	
5	UART_P	
6	AL_IN	1 つのアラーム入力、1 つのアラーム出力。アラーム出力用の外部電源は、DC 60 V、1.3
7	AL_OUTA	
8	AL_OUTB	

		A 未満である必要があります。
9	RS-485+	RS-485 シリアル通信。
10	RS-485-	
11	GND	ローカルビデオのアナログ出力。
12	CVBS	

### 3 ネットワークカメラのアクティベートとアクセス

www.hikmicrotech.com にアクセスして HIKMICRO Studio をダウンロードしてください。操作の詳細についてはデバイスのユーザーマニュアルを参照してください。

### 4 取り付け (3 ページ - C)

#### ⚠危険：

- 作業者とデバイスの安全を確保するため、デバイスの取り付け、プラグの差し込み、またはプラグの取り外しを行うときは、すべての電源を切ってください。
- デバイスが正しく接地されていることを確認します。
- デバイスは防水ではありません。デバイスを直射日光にさらしたり、屋外環境でデバイス単体を取り付けたりしないでください。

### 4.1 ブラケットへの取り付け (3 ページ - C.1)

注意。下の図に示すアダプタボードと 1/4-20 UNC ネジはデバイスに付属していません。実際の用途に応じて、アダプタボードと 1/4-20 UNC ネジを準備するかどうかを選択します。

#### ステップ:

1. パッケージの M3 × 6 ネジ(①)を使用して、アダプタボード(②)をデバイスに取り付けます。
2. 1/4-20 UNC ネジ(③)を使用してデバイスを取り付けます。

### 4.2 直接取り付ける(3 ページ - C.2)

デバイスを取付面に直接取り付ける場合は、M3 ネジ(⑤)を M3 ネジ穴(④)深さ：2.5mm)に通してデバイスを取付面と結合することができます。

### 5 防水設計(4 ページ - D)

デバイスを統合する際には、デバイスの実際の外観に基づいて防水設計方法を選択できます。

- モデルIIのデバイスの場合は、4 ページ - D.1 を参照し、防水設計のために O 字型シ

ーリングリング(⑥)を使用してください。

- モデルIIの装置の場合は、4 ページ - D.2 を参照し、防水設計のためにシーリングリング(⑦)を使用してください。

### 6 その他の操作(4 ページ - E)

その他の操作については、QR コードをスキャンしてユーザーマニュアルを取得してください。

### 規制順守と安全性に関する情報

本デバイスを使用する前に、本書のすべての情報および使用方法をよくお読みになり、将来の参照用に保管してください。

デバイスの詳細な情報および使用方法については、当社のウェブサイト

(<https://www.hikmicrotech.com>) をご覧ください。また、デバイスに付属の他の文書(ある場合)を参照するか、パッケージの QR コード(ある場合)をスキャンして、詳細な情報を見ることもできます。

#### 法的免責事項

適用法で認められる最大限の範囲で、本マニュアルおよび説明されている製品(ハードウェア、ソフトウェア、ファームウェアを含む)は、[現状のまま]および[すべての欠陥とエラーがある]状態で提供されます。

HIKMICRO では、明示あるいは黙示を問わず、商品性、十分な品質、または特定目的に対する適合性などを一切保証しません。本製品は、お客様の自己責任においてご利用ください。HIKMICRO は、本製品の利用に関連する事業利益の損失や事業妨害、データの損失、システムの障害、文書の損失に関する損害を含む特別、必然、偶発または間接的な損害に対して、それが契約に対する違反、不法行為(過失を含む)、製品の責任または製品の使用に関連するものであっても、たとえ HIKMICRO がそうした損害および損失について通知を受けていたとしても、一切の責任を負いません。

お客様は、インターネットにはその性質上固有のセキュリティリスクがあることを了解し、異常動作、プライバシーの流出、またはサイバー攻撃、ハッカー攻撃、ウィルス感染等のインターネットセキュリティリスクによる損害について、HIKMICRO は一切責任を負いません。ただし、必要に応じて HIKMICRO は適時技術的サポートを提供します。

お客様には、すべての適用法に従って本製品を利用し、さらにご自分の利用法が適用法を順守していることを確認する責任があります。特に、肖像権、知的財産権、またはデー

た保護等のプライバシー権を非限定的に含むサードパーティの権利を侵害しない手段で本製品を利用する責任があります。大量破壊兵器の開発や生産、化学兵器・生物兵器の開発や生産、核爆発物や危険な核燃料サイクル、または人権侵害に資する活動を含む、禁じられている最終用途の目的で本製品を使用してはなりません。

本マニュアルと適用法における矛盾がある場合については、後者が優先されます。

## 規制情報

これらの条項は、対応するマークまたは情報が付された製品にのみ適用されます。

## EU 適合宣言

**CE** 本製品および同梱の周辺機器（適用可能な場合）には「CE」マークが付いており、指令 2014/30/EU (EMCD) および指令 2011/65/EU (RoHS) の下に記載されている該当欧州統一規格に準拠しています。

注意：入力電圧が 50~1000VAC または 75~1500VDC 以内の製品は指令 2014/35/EU (LVD) に準拠し、それ以外の製品は指令 2001/95/EC (GPSD) に準拠しています。参照として、具体的な電源情報を確認してください。

警告：本製品はクラス A 製品です。居住環境において、本製品は電波干渉を起こす可能性があります。ユーザーが十分な措置を講じなければならぬ場合があります。



指令 2012/19/EU (WEEE 指令)：この記号が付いている製品は、欧州連合 (EU) の地方自治体の未分別廃棄物として処分できません。適切にリサイクルするために、本製品は同等の新しい装置を購入する際に、お近くの販売業者に返却いただくか、指定された収集場所で処分してください。詳細については以下を参照してください：www.recyclethis.info。

**CE** 規制 (EU) 2023/1542 (バッテリー規制)：この製品にはバッテリーが含まれており、規制 (EU) 2023/1542 に準拠しています。バッテリーは、欧州連合 (EU) の地方自治体の未分別廃棄物として処分できません。特殊バッテリー情報に関する製品資料をご覧ください。バッテリーにはこの記号が付いており、カドミウム (Cd)、鉛 (Pb) を示す文字も記載されています。適切にリサイクルするために、販売業者か、指定された

収集場所にご返却ください。より詳細な情報については以下をご確認ください。

[www.recyclethis.info](http://www.recyclethis.info)

## 安全に関する指示

これらの指示は、ユーザーが製品を正しく使用し、危険や財産損失を回避できるように保証することを目的としています。ご使用前に、安全情報をよくお読みください。

## 法規と規則

本器は、各国の法規、電気安全規則、火災予防規則に準じて使用する必要があります。

## 輸送

- 輸送中は、デバイスを元のパッケージまたは類似したパッケージに梱包してください。
- 製品を落下させたり、物理的な衝撃を与えないでください。本器を電磁妨害から遠ざけてください。

## 電気安全性

- 注意：デバイスのヒューズを交換できる場合は、火災や感電のリスクを減らすために、必ず同じモデルのヒューズと交換してください。
  - ヒューズがニュートラル線に接続され、2極/ニュートラルヒューズの構成になっている場合は、ヒューズの溶断後もデバイスの一部に引き続き電圧がかかっているため、保守作業中に感電が発生する恐れがあります。
  - デバイスは、接地された主電源コンセントに接続する必要があります。
  - ソケットアウトレットは、簡単にアクセスできるように、デバイスの近くに取り付けてください。
  - デバイスの電源を切った後も引き続き電気が流れている可能性があるため、むき出しのコンポーネント（インレットの金属接点など）には手を触れず、5分以上待ってください。
  - 電源コードに接続された端子からデバイスに電源を供給する場合は、主電源への接続に対して各端子の電圧と配線が正しいことを確認してください。
  - 製品の使用にあたって、国や地域の電気の安全性に関する法令に厳密にしたがう必要があります。
  - デバイスを水滴や水しぶきにさらさないでください。また、花瓶などの液体が入った物をデバイスの上に置かないでください。
- ## バッテリー
- 警告：
- 注意：バッテリーを不正な種別のものと交換すると爆発の危険があります。

● 不正な種別のバッテリーとの不適切な交換は、安全装置を無効にする場合があります(たとえば、一部のリチウムバッテリータイプの場合など)。

● バッテリーを火や高温のオープンの中に投入したり、バッテリーを機械的に粉碎したり切断したりしないでください。爆発の原因となることがあります。

● 製品を直火やオープンなど極端に高温の環境にさらさないでください。爆発したり、可燃性の液体やガスが漏出したりする恐れがあります。

● 製品を加熱容器、洗濯機、または圧力容器に近づけないでください。

● 使用済みバッテリーは、指示に従って廃棄してください。

● この機器は、子供が近づく可能性のある場所での使用には適していません。

### 火災防止

● ろうそくのような火のような裸火をデバイスの上に置かないでください。

● デバイスに通気口がある場合、通気口が新聞紙、テーブルクロス、カーテンなどでふさがれ、通気が妨げられることのないようにしてください。ベッド、ソファ、ラグなど、通気口がふさがれるような表面にデバイスを置かないでください。

### 電源

● プラグが適切に電源ソケットに接続されていることを確認してください。

● 1台の電源アダプターに2台以上の機器を接続してはなりません。過負荷によって過熱したり、火災発生の危険があります。

● +は、直流で使用されるか、または直流の電流を生成する機器の正極端子を識別します。-は、直流で使用されるか、または直流の電流を生成する機器の負極端子を識別します。

### インストール

● デバイスはこのマニュアルの指示に従って設置してください。

● けがを防ぐために、本デバイスは必ず取り付け手順に従って設置面にしっかりと固定してください。

● 機器は不安定な場所に置かないでください。機器が落下して、使用者が死亡したり怪我を負う恐れがあります。

### システムのセキュリティ

● お客様は、デバイスに関するすべてのパスワードやその他のセキュリティ設定を行い、ユーザー名とパスワードを保管する責任があることをご理解ください。

### メンテナンス

● 製品が正しく動作しない場合、販売店または最寄りのサービスセンターに連絡してください。承認されていない修理や保守行為による問題について、当社はいかなる責任も負いません。

● 必要ならば、エタノールを少量含ませたきれいな布でデバイスを静かに拭きます。

● メーカーが指定していない方法で使用した場合、デバイスが提供する保護機能が損なわれる恐れがあります。

● デバイスを自分で接続する場合は、デバイスのラベルに記載された電気パラメータに従って、電源に対応する配線を選択してください。標準のワイヤーストリッパーを使って、対応する位置で配線の被膜を剥がします。重大な結果を避けるため、被膜を剥がした配線の長さが適切で、導体が露出しないようにしなければなりません。

### 使用環境

● 実行環境がデバイスの要件を満たしていることを確認します。動作温度は-20°C~50°C、動作湿度は90% RH未満である必要があります。

● レンズを太陽や極端に明るい場所に向けしないでください。

● デバイスを強い電磁波にさらさないでください。

### 緊急

● デバイスを接続、取り付け、または分解する前には、電源が切断されていることを確認してください。

● デバイスから煙や異臭、異音が発生した場合、すぐに電源を切り、電源ケーブルを抜いて、サービスセンターにご連絡ください。

### 時間同期

● ローカル時刻がネットワークの時刻と同期されていない場合、初回のアクセス時に手動でデバイスの時刻を設定します。Webブラウザ/クライアントソフトウェアを使用してデバイスにアクセスし、時刻設定のインターフェイスへ移動します。

### メーカー住所

310052 中国浙江省杭州市滨江区西興地区段鳳通り 399 号 2 棟ユニット B 313 号室  
Hangzhou Microimage Software Co., Ltd.

法令順守通知:本サーマルシリーズ製品は、アメリカ合衆国、欧州連合、英国などワッセナー・アレンジメントの会員国を含むがそれだけに限定されない各国・各地域で、輸出管理の対

象となる可能性があります。サーマルシリーズ製品を外国へ転送・輸出・再輸出する場合は、貴社の法務・コンプライアンス部門もしくは自国の政府機関に、輸出ライセンスの条件についてご確認ください。

**i** 產品外觀僅供參考，可能與實際產品有所不同。

## 1 簡介

### 1.1 概覽

測溫網路儲存盒攝影機（以下簡稱「裝置」）整合了遠端網際網路監視、影片伺服器及即時溫度測量功能。

可透過瀏覽器和用戶端進行遠端傳送、預覽及配置。主要應用於工業熱成像、防爆整合、機器人整合等。

## 2 外觀說明

### 2.1 攝影機概觀（第 1 頁，2-A）

不同機型的外觀可能有差異。請參考實際產品。

編號	組件	說明
1	熱像鏡頭	顯示熱影像。
2	M3 螺紋孔	到安裝螺絲。
3	網路指示燈	<ul style="list-style-type: none"> <li>閃光燈：傳輸網路資料。</li> <li>恆亮：網路已連線且無資料傳輸。</li> </ul>
4	USB Type-C 插座	使用 USB-C 轉 USB-A 傳輸線來傳輸數據。
5	重設按鈕	按下重設按鈕，然後連接電源供應器。按住重設按鈕 10 秒再放開按鈕，裝置將會還原到原廠設定。
6	終端插座	包含 12 針腳連接器。
7	電源指示燈	<ul style="list-style-type: none"> <li>恆亮綠燈：裝置運作中。</li> <li>恆亮紅燈：裝置啟動中。</li> </ul>
8	網路介面	RJ-45，網路通訊。
9	網路線	將纜線連接到網路連接埠時，擰緊纜線上的螺絲以將其固定。
10	接線盤	將接線盤終端插座，並參照針腳定義連接電線。

### 2.2 針腳定義（第 2 頁 - B）

編號	訊號	說明
1	電源	DC 10~30 V 電源輸入。
2	GND (接地)	
3	UART_R	UART 序列通訊，用於裝置偵錯。
4	UART_T	
5	UART_P	
6	AL_IN	1 警報輸入；1 警報輸出。警報輸出的外部電源應 < DC 60 V、1.3 A。
7	AL_OUTA	
8	AL_OUTB	
9	RS-485+	RS-485 序列通訊。
10	RS-485-	
11	GND (接地)	本機視訊的類比輸出。
12	CVBS	

### 3 啟用及存取網路攝影機

造訪 [www.hikmicrotech.com](http://www.hikmicrotech.com) 下載並安裝 HIKMICRO Studio。如需詳細操作，請參閱裝置使用手冊。

### 4 安裝（第 3 頁 - C）

**⚠ 危險：**

- 安裝、插拔裝置時應切斷所有電源，以確保人員和裝置的安全。
- 確保裝置已正確接地。
- 本裝置無防水功能。不要將裝置暴露在陽光直射下，也不要將裝置單獨安裝在室外環境中。

#### 4.1 安裝到支架（第 3 頁 - C.1）

**注意事項。** 下圖中的轉接板和 1/4-20 UNC 螺絲不隨裝置一起提供。請根據實際應用選擇是否準備轉接板和 1/4-20 UNC 螺絲。

**步驟：**

1. 使用包裝中的 M3 × 6 螺絲 (①) 將轉接板 (②) 安裝到裝置上。
2. 使用 1/4-20 UNC 螺絲安裝裝置 (③)。

#### 4.2 直接安裝（第 3 頁 - C.2）

直接將裝置安裝到安裝面上時，可將 M3 螺絲 (⑤) 旋入 M3 螺紋孔 (④) 深度：2.5 mm)，將裝置固定到安裝面。

### 5 防水設計 (第 4 頁 - D)

整合裝置時，您可以根據裝置的實際外觀選擇防水設計方式。

- 對於型號 I 裝置，請參閱第 4 頁 - D.1，並使用 O 型密封圈 (①) 進行防水設計。
- 對於型號 II 裝置，請參閱第 4 頁 - D.2，並使用密封圈 (②) 進行防水設計。

### 6 更多操作 (第 4 頁 - E)

掃描 QR 碼可取得使用手冊，瞭解更多功能操作。

#### 法規合規性與安全性資訊

使用裝置前請詳閱本文件的所有資訊和說明，並妥善保管本文件以便日後查閱。

欲了解更多有關裝置的資訊和說明，請前往 <https://www.hikmicrotech.com>。您也可以參考裝置隨附的其他文件 (如有)，或者掃描包裝上的 QR 碼 (如有) 取得更多資訊。

#### 法律免責聲明

在適用法律允許的最大範圍內，本手冊及所描述產品，其硬體、軟體和韌體均以「現狀」提供，瑕疵錯誤概不負責。HIKMICRO 不作任何明示或暗示的保證，包括但不限於適售性、品質滿意度或適合某特定用途。您必須承擔使用本產品的風險。對於任何特殊、衍生、偶發或間接的損害，包括但不限於營業利潤損失、營業中斷，或者資料遺失、系統毀損或文件遺失，只要是基於違反合約、侵權 (包括過失)、產品責任或產品使用 (即使 HIKMICRO 已知悉可能會有此類損害或損失)，HIKMICRO 概不負責。

您了解網際網路的性質具有固有的安全風險，對於因網路攻擊、駭客攻擊、病毒感染或其他網路安全風險而造成的異常運作、隱私洩漏或其他損害，HIKMICRO 概不承擔任何責任；但 HIKMICRO 將提供及時的技術支援。


您同意依照所有適用法律使用本產品，而且您有責任確保您的使用符合適用法律。特別是，您有責任在使用本產品時不侵犯第三方權利，包括但不限於出版權、知識財產權或資訊保護以及其他隱私權。您不得將本產品用於任何禁止的最終用途，包括開發或生產大規模毀滅性武器、開發或生產化學武器或生物武器，以及任何有關核爆炸或不安全核燃料循環的任何活動，或支持侵犯人權。

如果本手冊與適用法律產生任何衝突，以後者為準。

#### 法規資訊

這些條款僅適用於帶有對應標記或資訊的產品。

#### EU 合規性聲明

 本產品及 (如果適用) 其附件都已標示「CE」，因此符合適用指令

2014/30/EU (EMCD) 和指令 2011/65/EU (RoHS) 所列統一歐洲標準。

注意事項：輸入電壓在 50 至 1000 VAC 或 75 至 1500 VDC 範圍內的產品符合指令 2014/35/EU (LVD)，且其餘產品符合指令 2001/95/EC (GPSD)。請查看具體的電源供應資訊以供參考。

警告：這是 A 類產品。在家庭環境中，本產品可能會造成無線電干擾，在這種情況下，使用者可能需要採取適當的措施。



指令 2012/19/EU (WEEE 指令)：已標示此符號的產品在歐盟不得當成未分類的都市廢棄物處理。為了正確回收，請在購買同等的新設備時將本產品退回當地供應商，或將其棄置在指定的回收點。詳細資訊請參閱：  
[www.recyclethis.info](http://www.recyclethis.info)。



規範 (EU) 2023/1542 (電池規範)：本產品內含一顆電池，符合法規 (EU) 2023/1542。電池在歐盟區不能當成未分類的都市廢棄物處理。有關特定的電池資訊，請參閱產品說明文件。已標示此符號的電池可能含有代表鎘 (Cd) 或鉛 (Pb) 的字母。為正確回收，請將電池送回供應商或指定的回收點。詳細資訊請參閱 [www.recyclethis.info](http://www.recyclethis.info)。

#### 安全說明

這些指示的目的在確保使用者正確使用本產品，避免造成危險或財產損失。使用前請先閱讀所有的安全性資訊。

#### 法律和法規

應遵守當地法律、電氣安全法規和防火法規使用本裝置。

#### 運輸

- 在運送裝置時，請將裝置放入原本的或類似的包裝中。
- 請勿使本產品掉落或遭受撞擊。請讓裝置遠離磁性干擾。

#### 電氣安全

- 注意：如果裝置的保險絲可以更換，請僅使用相同型號的保險絲進行更換，以減少火災或觸電的風險。
- 如果保險絲連接到中性線並且發生雙極/中性

熔斷，則在保險絲操作後的維修期間，裝置中保持通電的部分可能會造成危險。

- 裝置必須連接至已接地的主電源插座。
- 電源插座應安裝在裝置附近，而且伸手可及。
- 請勿觸摸裸露零件（例如進氣口的金屬接點），並等待至少 5 分鐘，因為裝置斷電後可能仍然有電。
- 如果裝置由連接到電源線的端子的供電，請確保用於連接到主電源的端子的電壓和接線正確。
- 在使用產品時，必須嚴格遵守國家和地區的電氣安全法規。
- 本裝置不得曝露在會滴水或濺水的環境中，且不得將花瓶等裝有液體的物品放在裝置上。

## 電池

警告：

- 注意：若更換的電池類型不正確，會有爆炸的風險。
- 換錯類型不正確的電池，可能會使保護措施失效（例如，某些類型的鋰電池）。
- 禁止將電池棄置火中或高溫烤箱中，並禁止使用機械來壓碎或切碎電池，否則可能導致爆炸。
- 請勿將產品置於火或加熱爐等極高溫度環境下，否則可能導致爆炸或造成易燃液體或氣體洩漏。
- 請勿將產品置於加熱容器、洗衣機或壓力容器中。
- 請依照指示棄置使用過的電池。
- 本裝置不適合在兒童可能出現的場所使用。

## 防火

- 不得將開放性火源（例如點燃的蠟燭）放置在裝置上。
- 對於有通風口的裝置，不應用報紙、桌布、窗簾等物品覆蓋通風口，阻礙通風口。切勿將裝置放置在床、沙發、地毯或其他類似表面上，進而堵塞出口。

## 電源供應

- 確認已將插頭正確連接至電源插座。
- 請勿將多個裝置連接至相同電源變壓器以避免過熱，或因過載造成火災危險。
- 「+」代表裝置的正極，搭配使用或產生直流電。「-」代表裝置的負極，搭配使用或產生直流電。

## 安裝

- 按照本手冊中的說明安裝裝置。
- 為避免造成傷害，須按照安裝說明將本裝置穩妥地安裝於安裝表面上。
- 切勿將裝置置於不牢固的地方。裝置可能會因此掉落，造成嚴重的人員傷亡。

## 系統安全性

- 請瞭解您必須負責替裝置設定所有密碼和其他安全性設定，並記下您的使用者名稱和密碼。

## 維護

- 如果產品無法正常運作，請聯絡您的經銷商或最近的服務中心。對於因未經授權的維修或保養而造成的問題，本公司概不承擔任何責任。
- 如有需要，請使用乾淨的布和少量酒精輕輕擦拭裝置。
- 如果以製造商未指定的方式使用設備，則可能會影響裝置所提供的保護。
- 如果裝置需要自行接線，請根據裝置上標示的電氣參數選擇對應的電線供電。使用標準剝線鉗在對應位置剝去電線。剝線長度要適當，不得裸露導體，以免造成嚴重後果。

## 使用環境

- 請確定操作環境符合裝置的需求。工作溫度應為 -20 °C 至 50 °C (-4 °F 至 122 °F)，且工作濕度應小於 90% RH。
- 請勿將鏡頭瞄準陽光或任何其他明亮的光線。
- 請勿使裝置暴露於高電磁輻射中。

## 緊急

- 在連接、安裝或拆卸裝置前，請確認已關閉電源。
- 如果裝置產生煙霧、異味或噪音，請立即關閉電源，拔除電源線，並聯絡維修中心。

## 時間同步

- 若本機時間與網路時間不同步，則初次存取時需手動設定裝置時間。透過網頁瀏覽器/用戶端軟體存取裝置，並前往時間設定介面。

## 製造地址

310052 中國浙江省杭州市濱江區西興街區丹風路 399 號 2 號樓 B 單元 313 室  
杭州微影軟件有限公司

合規性注意事項：熱像系列產品可能在不同國家或地區受到出口管制，包括但不限於美國、歐盟、英國和/或瓦森納協議的其他成員國。如果您打算在不同國家之間轉讓、出口、再出口熱像系列產品，請洽詢您的專業法律或合規性專家或地方政府機關，以瞭解任何必要的出口許可要求。



**HIKMICRO**

See the World in a New Way