

## E1L Handheld Thermography Camera



The handheld thermography camera is based on the thermal technology, specially designed for the needs of temperature measuring applications. People can quickly troubleshoot faults on-site.

### Key Feature

- Thermal resolution: 160 × 120 (19,200 pixels)
- NETD : < 40 mK (@ 25°C,F#=1.0)
- Measurement presets: center spot, hot spot, cold spot, off
- 8 GB SD card: 120,000 pictures
- Weight: 350 g (0.77 lb)

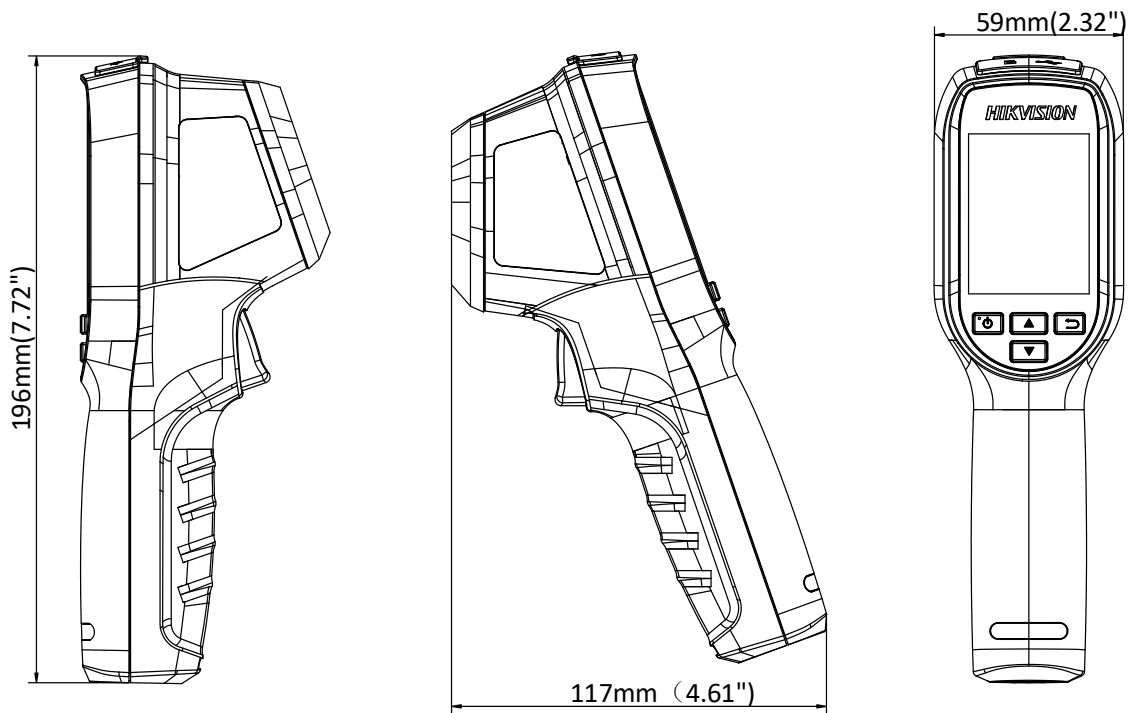
## ▪ Specification

| Infrared Image                 |  |
|--------------------------------|--|
| IR Resolution                  | 160 × 120 (19,200 pixels)  |
| NETD                           | < 40 mK (@ 25°C, F#=1.0)   |
| Image Frequency                | 25 Hz  |
| Detector Pitch                 | 17 μm  |
| Spectral Range                 | 7.5 to 14 μm   |
| Focal Length                   | 3.1 mm   |
| F-number                       | F1.1   |
| Field of View (FOV)            | 37.2° × 50.0°  |
| Spatial Resolution (IFOV)      | 5.48 mrad  |
| Min. Focus Distance            | 0.15 m (0.49 ft)   |
| Focus Mode                     | Focus Free   |
| Image Display                  |  |
| Display                        | 240 × 320 Resolution, 2.4" LCD Screen  |
| Color Palettes                 | White Hot, Black Hot, Rainbow, Ironbow   |
| Measurement and Analysis       |  |
| Object Temperature Range       | -20°C to 550°C (-4°F to 1022°F)  |
| Accuracy                       | Max (±2°C/3.6°F, ±2%), for ambient temperature 15°C to 35°C (59°F to 95°F) and object temperature above 0°C (32°F) |
| Measurement Tools              | Center Spot, Hot Spot, Cold Spot   |
| Level and Span Mode            | Auto   |
| Data Storage and Communication |  |
| Storage Media                  | Removable 8 GB Micro SD Card   |
| Image Storage Capacity         | Approx. 120,000 Images   |
| General                        |  |
| USB Interface                  | Micro USB  |
| Laser                          | Yes, Class II  |
| Battery Type                   | Rechargeable Li-ion battery  |
| Battery Charging Time          | Approx. 4 hours fully charged  |
| Battery Operating Time         | Approx. 8 hours  |
| Protection Level               | IP54   |
| Drop Test Height               | 2 m (6.56 ft)  |
| Working Temperature Range      | -20°C to 50°C (-4°F to 122°F)  |
| Storage Temperature Range      | -20°C to 60°C (-4°F to 140°F)  |
| Relative Humidity              | < 95% non-condensing   |
| Weight                         | Approx. 350 g (0.77 lb)  |
| Dimension                      | 196 × 117 × 59 mm (7.7 × 4.6 × 2.3 in)   |
| Tripod Mounting                | UNC ¼"-20  |

## ▪ Available Model

E1L

## ▪ Dimension



Unit: mm (inch)

## ▪ Optional Accessories



**Tripod Mounting Bracket**

HM-2925ZJ-TM01-BRACKET



**POUCH**

HM-B01-POUCH

COMPLIANCE NOTICE: The thermal series products might be subject to export controls in various countries or regions, including without limitation, the United States, European Union, United Kingdom and/or other member countries of the Wassenaar Arrangement. Please consult your professional legal or compliance expert or local government authorities for any necessary export license requirements if you intend to transfer, export, re-export the thermal series products between different countries.

