



Handheld Thermal Monocular Camera

Quick Start Guide



Contact Us

Handheld Thermal Monocular Camera	English	1
Tragbare, monokulare Wärmebildkamera	Deutsch	7
Caméra thermique monoculaire portable	Français	12
Cámara monocular térmica portátil	Español	18
Câmara Monocular Térmica de Mão	Português	24
Termocamera monoculare portatile	Italiano	29
Ruční monokulární termokamera	Čeština	35
Vrecková tepelná monokulárna kamera	Slovenčina	40
Ręczna jednookularowa kamera termowizyjna	Polski	45
Monokuláris kézi hőkamera	Magyar	51
Cameră monoculară termică de mână	Română	57
Handheld thermische monoculaire camera	Nederlands	62
Håndholdt termografisk monokulært kamera	Dansk	68
Håndholdt termisk kikkertkamera	Norsk	73
Kannettava monokulaarinen lämpökamera	Suomi	78
Handhållen termisk tubkamera	Svenska	83
Портативная тепловизионная монокулярная камера	Русский	88
Portatif Termal Monoküler Kamera	Türkçe	94
ハンドヘルドサーマル単眼鏡カメラ	日本語	99
휴대용 열화상 단안 카메라	한국인	104
手持式單眼熱像儀	繁體中文	109

1 Brief Description

The handheld thermal monocular camera is a handheld device with functions of observation, highest temperature target tracking, distance measurement, Wi-Fi hot spot, and so on. The high-sensitivity built-in thermal detector provides you with clear view even in total darkness. The device is mainly applied to outdoor scenarios such as hunting, searching and rescuing, hiking, and travel.

The device can capture snapshots, record videos, and set parameters by HIMICRO Sight APP after being connected to your phone via hot spot. Search the HIMICRO Sight on App Store (iOS System) or Google Play™ (Android System) to download it, or scan the QR code to download and install the app.



Android System

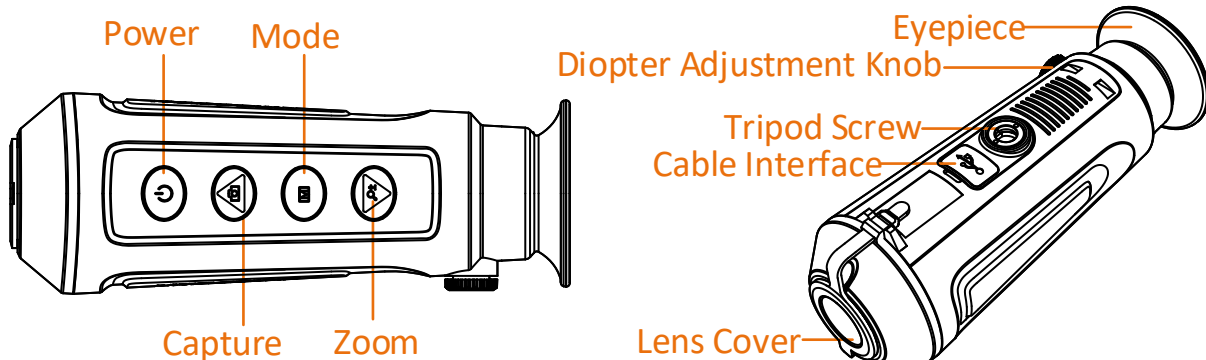


iOS System




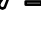
The frequency bands and modes and the nominal limits of transmitted power (radiated and/or conducted) applicable to this radio device are the following:

Wi-Fi 2.4 GHz (2.4 GHz to 2.4835 GHz)	20 dBm
---------------------------------------	--------

2 Appearance



Button

Icon	Button	Function
	Power	Press: standby mode/wake up device Hold: power on/off
	Mode	Press: palettes Hold: menu
	Capture	Press: capture Hold: recording
	Zoom	Press: digital zoom Hold: FFC

Interface

- Lens Cover: protect the lens from dust or scratch.
- Diopter Adjustment Knob: adjust the view according to your degree of myopia.
- Cable Interface: charge the device or export files with the supplied USB cable.
- Tripod Screw: connected to tripod.

3 Charge Device

After the device starts up, the OSD (on-screen display) shows the battery status. When the battery is low, charge the device and ensure it works properly.

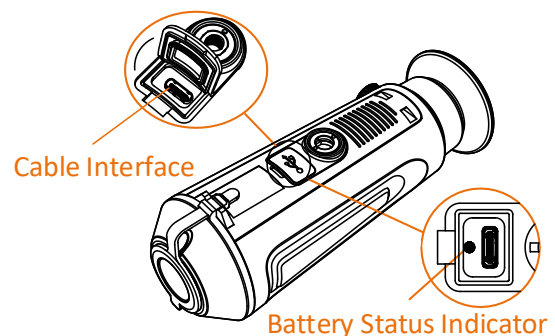
Before You Start

- The charging temperature should be from 0°C to 45°C (32°F to 113°F).
- Charge the device with the delivered USB cable.

Steps

1. Lift the USB cover.
2. Plug in the USB cable and charge the device.

- Flashing Red & Green: error occurred.
- Solid Red: battery is properly charged.
- Solid Green: battery is fully charged.
- Off: battery is not charged.



User Manual



Legal Information

©2022 Hangzhou Microimage Software Co., Ltd. All rights reserved.

About this Manual

The Manual includes instructions for using and managing the Product. Pictures, charts, images and all other information hereinafter are for description and explanation only. The information contained in the Manual is subject to change, without notice, due to firmware updates or other reasons. Please find the latest version of this Manual at the HIKMICRO website (www.hikmicrotech.com/).

Please use this Manual with the guidance and assistance of professionals trained in supporting the Product.

Trademarks Acknowledgement



HIKMICRO

and other HIKMICRO's trademarks and logos are the properties of HIKMICRO

in various jurisdictions.

Other trademarks and logos mentioned are the properties of their respective owners.

LEGAL DISCLAIMER

TO THE MAXIMUM EXTENT PERMITTED BY APPLICABLE LAW, THIS MANUAL AND THE PRODUCT DESCRIBED, WITH ITS HARDWARE, SOFTWARE AND FIRMWARE, ARE PROVIDED "AS IS" AND "WITH ALL FAULTS AND ERRORS". HIKMICRO MAKES NO WARRANTIES, EXPRESS OR IMPLIED, INCLUDING WITHOUT LIMITATION, MERCHANTABILITY, SATISFACTORY QUALITY, OR FITNESS FOR A PARTICULAR PURPOSE. THE USE OF THE PRODUCT BY YOU IS AT YOUR OWN RISK. IN NO EVENT WILL HIKMICRO BE LIABLE TO YOU FOR ANY SPECIAL, CONSEQUENTIAL, INCIDENTAL, OR INDIRECT DAMAGES, INCLUDING, AMONG OTHERS, DAMAGES FOR LOSS OF BUSINESS PROFITS, BUSINESS INTERRUPTION, OR LOSS OF DATA, CORRUPTION OF SYSTEMS, OR LOSS OF DOCUMENTATION, WHETHER BASED ON BREACH OF CONTRACT, TORT (INCLUDING NEGLIGENCE), PRODUCT LIABILITY, OR OTHERWISE, IN CONNECTION WITH THE USE OF THE PRODUCT, EVEN IF HIKMICRO HAS BEEN ADVISED OF THE POSSIBILITY OF SUCH DAMAGES OR LOSS.

YOU ACKNOWLEDGE THAT THE NATURE OF THE INTERNET PROVIDES FOR INHERENT SECURITY RISKS, AND HIKMICRO SHALL NOT TAKE ANY RESPONSIBILITIES FOR ABNORMAL OPERATION, PRIVACY LEAKAGE OR OTHER DAMAGES RESULTING FROM CYBER-ATTACK, HACKER ATTACK, VIRUS INFECTION, OR OTHER INTERNET SECURITY RISKS; HOWEVER, HIKMICRO WILL PROVIDE TIMELY TECHNICAL SUPPORT IF REQUIRED.

YOU AGREE TO USE THIS PRODUCT IN COMPLIANCE WITH ALL APPLICABLE LAWS, AND YOU ARE SOLELY RESPONSIBLE FOR ENSURING THAT YOUR USE CONFORMS TO THE APPLICABLE LAW. ESPECIALLY, YOU ARE RESPONSIBLE, FOR USING THIS PRODUCT IN A MANNER THAT DOES NOT INFRINGE ON THE RIGHTS OF THIRD PARTIES, INCLUDING WITHOUT LIMITATION, RIGHTS OF PUBLICITY, INTELLECTUAL PROPERTY RIGHTS, OR DATA PROTECTION AND OTHER PRIVACY RIGHTS.

YOU SHALL NOT USE THIS PRODUCT FOR ILLEGAL HUNTING ANIMALS, INVASION OF PRIVACY OR ANY OTHER PURPOSE WHICH IS ILLEGAL OR DETRIMENTAL TO THE PUBLIC INTEREST. YOU SHALL NOT USE THIS PRODUCT FOR ANY PROHIBITED END-USES, INCLUDING THE DEVELOPMENT OR PRODUCTION OF WEAPONS OF MASS DESTRUCTION, THE DEVELOPMENT OR PRODUCTION OF CHEMICAL OR BIOLOGICAL WEAPONS, ANY ACTIVITIES IN THE CONTEXT RELATED TO ANY NUCLEAR EXPLOSIVE OR UNSAFE NUCLEAR FUEL-CYCLE, OR IN SUPPORT OF HUMAN RIGHTS ABUSES. IN THE EVENT OF ANY CONFLICTS BETWEEN THIS MANUAL AND THE APPLICABLE LAW, THE LATTER PREVAILS.

Regulatory Information

These clauses apply only to the products bearing the corresponding mark or information.

FCC Information

Note: This product has been tested and found to comply with the limits for a Class B digital device, pursuant to Part 15 of the FCC Rules. These limits are designed to provide reasonable protection against harmful interference in a residential installation. This product generates, uses, and can radiate radio frequency energy and, if not installed and used in accordance with the instructions, may cause harmful interference to radio communications. However, there is no guarantee that interference will not occur in a particular installation. If this product does cause harmful interference to radio or television reception, which can be determined by turning the equipment off and on, the user is encouraged to try to correct the interference by one or more of the following measures:

- Reorient or relocate the receiving antenna.
- Increase the separation between the equipment and receiver.
- Connect the equipment into an outlet on a circuit different from that to which the receiver is connected.
- Consult the dealer or an experienced radio/TV technician for help.

Please take attention that changes or modification not expressly approved by the party responsible for compliance could void the user's authority to operate the equipment. This device complies with Part 15 of the FCC Rules. Operation is subject to the following two conditions:

- (1) This device may not cause harmful interference, and
- (2) This device must accept any interference received, including interference that may cause undesired operation.

This equipment complies with FCC radiation exposure limits set forth for an uncontrolled environment. This equipment should be installed and operated with minimum distance 20 cm between the radiator & your body.

EU Conformity Statement



This product and - if applicable - the supplied accessories too are marked with "CE" and comply therefore with the applicable harmonized European standards listed under the Directive 2014/53/EU(RED), Directive 2014/30/EU(EMCD), Directive 2014/35/EU(LVD), Directive 2011/65/EU(RoHS).



Directive 2012/19/EU (WEEE Directive): Products marked with this symbol cannot be disposed of as unsorted municipal waste in the European Union. For proper recycling, return this product to your local supplier upon the purchase of equivalent new equipment, or dispose of it at designated collection points. For more information see: www.recyclethis.info



Directive 2006/66/EC and its amendment 2013/56/EU (Battery Directive): This product contains a battery that cannot be disposed of as unsorted municipal waste in the European Union. See the product documentation for specific battery information. The battery is marked with this symbol, which may include lettering to indicate cadmium (Cd), lead (Pb), or mercury (Hg). For proper recycling, return the battery to your supplier or to a designated collection point. For more information see: www.recyclethis.info.

Industry Canada ICES-003 Compliance

This device meets the CAN ICES-3 (B)/NMB-3(B) standards requirements.

This device complies with Industry Canada licence-exempt RSS standard(s). Operation is subject to the following two conditions:

- (1) this device may not cause interference, and
- (2) this device must accept any interference, including interference that may cause undesired operation of the device.

Le présent appareil est conforme aux CNR d'Industrie Canada applicables aux appareils radioexempts de licence. L'exploitation est autorisée aux deux conditions suivantes :

- (1) l'appareil ne doit pas produire de brouillage, et
- (2) l'utilisateur de l'appareil doit accepter tout brouillage radioélectrique subi, même si le brouillage est susceptible d'en compromettre le fonctionnement.

This equipment complies with IC RSS-102 radiation exposure limits set forth for an uncontrolled environment. This equipment should be installed and operated with minimum distance 20 cm between the radiator & your body.

ce matériel est conforme aux limites de dose d'exposition aux rayonnements, CNR-102 énoncée dans un autre environnement. cette equipment devrait être installé et exploité avec distance minimale de

20 entre le radiateur et votre corps.

KC

B급 기기: 이 기기는 가정용 (B급) 전자파적합기기로서 주로 가정에서 사용하는 것을 목적으로 하며, 모든 지역에서 사용할 수 있습니다.

Safety Instruction

These instructions are intended to ensure that user can use the product correctly to avoid danger or property loss.

Laws and Regulations

- Use of the product must be in strict compliance with the local electrical safety regulations.

Transportation

- Keep the device in original or similar packaging while transporting it.
- Keep all wrappers after unpacking them for future use. In case of any failure occurred, you need to return the device to the factory with the original wrapper. Transportation without the original wrapper may result in damage on the device and the company shall not take any responsibilities.
- Do not drop the product or subject it to physical shock. Keep the device away from magnetic interference.

Power Supply

- Input voltage should meet the Limited Power Source (5 VDC, 2 A) according to the IEC62368-1 standard. Please refer to technical specifications for detailed information.
- Make sure the plug is properly connected to the power socket.
- DO NOT connect multiple devices to one power adapter, to avoid over-heating or fire hazards caused by overload.
- Use the power adapter provided by qualified manufacturer. Refer to the product specification for detailed power requirements.

Battery

- The built-in battery cannot be dismantled. Please contact the manufacture for repair if necessary.
- For long-term storage of the battery, make sure it is fully charged every half year to ensure the battery quality. Otherwise, damage may occur.
- Use the battery provided by qualified manufacturer. Refer to the product specification for detailed battery requirements.
- CAUTION: Risk of explosion if the battery is replaced by an incorrect type.
- Improper replacement of the battery with an incorrect type may defeat a safeguard (for example, in the case of some lithium battery types).
- Do not dispose of the battery into fire or a hot oven, or mechanically crush or cut the battery, which may result in an explosion.
- Do not leave the battery in an extremely high temperature surrounding environment, which may result in an explosion or the leakage of flammable liquid or gas.
- Do not subject the battery to extremely low air pressure, which may result in an explosion or the leakage of flammable liquid or gas.
- Dispose of used batteries according to the instructions.

Maintenance

- If the product does not work properly, please contact your dealer or the nearest service center. We shall not assume any responsibility for problems caused by unauthorized repair or maintenance.
- Wipe the device gently with a clean cloth and a small quantity of ethanol, if necessary.
- If the equipment is used in a manner not specified by the manufacturer, the protection provided by the device may be impaired.

Using Environment

- Make sure the running environment meets the requirement of the device. The operating temperature shall be -20°C to 55°C (-4°F to 131°F), and the operating humidity shall be 95% or less.
- DO NOT expose the device to high electromagnetic radiation or dusty environments.
- DO NOT aim the lens at the sun or any other bright light.

Emergency

- If smoke, odor, or noise arises from the device, immediately turn off the power, unplug the power cable, and contact the service center.

Manufacture Address

Room 313, Unit B, Building 2, 399 Danfeng Road, Xixing Subdistrict, Binjiang District, Hangzhou, Zhejiang 310052, China
Hangzhou Microimage Software Co., Ltd.

COMPLIANCE NOTICE: The thermal series products might be subject to export controls in various countries or regions, including without limitation, the United States, European Union, United Kingdom and/or other member countries of the Wassenaar Arrangement. Please consult your professional legal or compliance expert or local government authorities for any necessary export license requirements if you intend to transfer, export, re-export the thermal series products between different countries.

Deutsch

1 Kurze Beschreibung

Die tragbare, monokulare Wärmebildkamera ist ein mobiles Gerät mit den Funktionen: Beobachtung, Verfolgung des Zielpunktes mit der höchsten Temperatur, Entfernungsmessung, WLAN-Hotspot und so weiter. Der hochempfindliche integrierte Wärmebildsensor liefert auch bei völliger Dunkelheit eine deutliche Sicht. Das Gerät wird hauptsächlich für Situationen im Freien, wie Jagd, Suchen und Rettungseinsätze, Wandern und Reisen eingesetzt.

Das Gerät kann Fotos aufnehmen, Videos aufzeichnen und Einstellungen über die App HIMICRO Sight vornehmen, nachdem es über einen Hotspot mit Ihrem Smartphone verbunden wurde.

Suchen Sie HIMICRO Sight im App Store (iOS-System) oder bei Google Play™ (Android-System) oder scannen Sie den QR-Code, um die App herunterzuladen und zu installieren.



Android

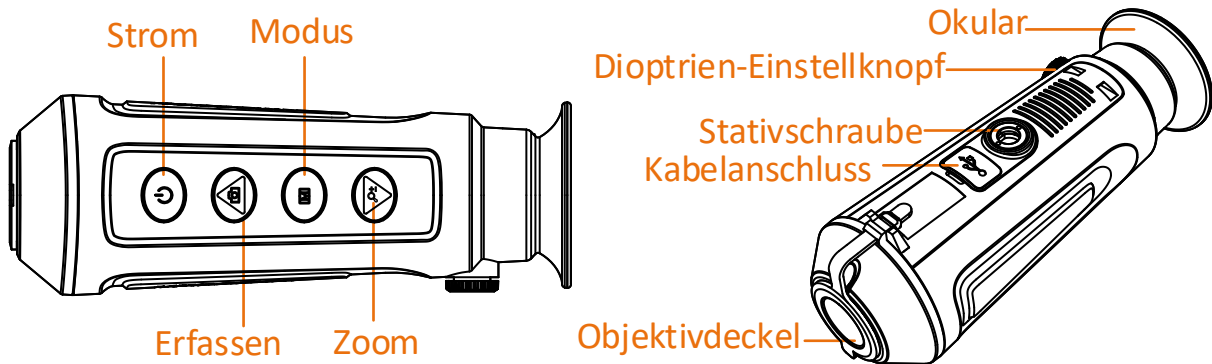


iOS

Die für dieses Gerät geltenden Frequenzbänder, Betriebsarten und Nenngrenzwerte der Sendeleistung (abgestrahlt und/oder geleitet) lauten wie folgt:

WLAN 2,4 GHz (2,4 GHz bis 2,4835 GHz)	20 dBm
---------------------------------------	--------

2 Aufbau



Taste

Symbol	Taste	Funktion
	Strom	Drücken: Standby-Modus/Gerät aufwecken Gedrückt halten: Ein- und ausschalten
	Modus	Drücken: Farbenpaletten Gedrückt halten: Menü
	Erfassen	Drücken: Fotos aufnehmen Gedrückt halten: Videos aufzeichnen
	Zoom	Drücken: Digitalzoom Gedrückt halten: Flat-Field-Korrektur

Anschluss

- Objektivabdeckung: Schutz des Objektivs vor Staub oder Kratzern.
- Dioptrien-Einstellknopf: Anpassen der Ansicht entsprechend dem Grad Ihrer Kurzsichtigkeit.
- Kabelanschluss: Aufladen des Geräts oder Export von Dateien mit dem mitgelieferten USB-Kabel.
- Stativschraube: Verbindung mit Stativ.

3 Ladegerät

Nachdem das Gerät hochgefahren ist, zeigt der Bildschirm den Akkustatus an. Wenn der Akku schwach ist, laden Sie das Gerät und vergewissern Sie sich, dass es ordnungsgemäß funktioniert.

Bevor Sie beginnen

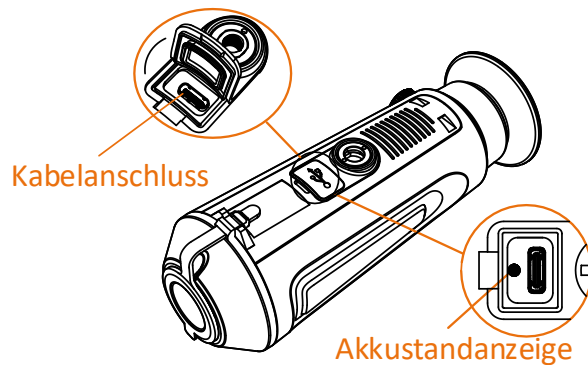
- Die Ladetemperatur muss zwischen 0 und 45 °C liegen.

- Laden Sie das Gerät mit dem mitgelieferten USB-Kabel.

Schritte

1. Heben Sie die USB-Abdeckung an.
2. Schließen Sie das USB-Kabel an und laden Sie das Gerät.

- Blinkt rot und grün: Fehler ist aufgetreten.
- Leuchtet rot: Akku wird ordnungsgemäß geladen.
- Leuchtet grün: Akku wurde vollständig geladen.
- Aus: Akku wird nicht geladen.



Benutzerhandbuch



Rechtliche Informationen

©2022 Hangzhou Microimage Software Co., Ltd. Alle Rechte vorbehalten.

Hinweise zu dieser Bedienungsanleitung

Die Bedienungsanleitung enthält Anleitungen zur Verwendung und Verwaltung des Produkts. Bilder, Diagramme, Abbildungen und alle sonstigen Informationen dienen nur der Beschreibung und Erklärung. Die Änderung der in der Bedienungsanleitung enthaltenen Informationen ist aufgrund von Firmware-Aktualisierungen oder aus anderen Gründen vorbehalten. Die neueste Version dieses Handbuchs finden Sie auf der HIKMICRO-Website (www.hikmicrotech.com/).

Bitte verwenden Sie diese Bedienungsanleitung unter Anleitung und Unterstützung von Fachleuten, die für den Support des Produkts geschult sind.

Marken



HIKMICRO

und andere Marken und Logos von HIKMICRO sind Eigentum von

HIKMICRO in verschiedenen Gerichtsbarkeiten.

Andere hier erwähnte Marken und Logos sind Eigentum ihrer jeweiligen Inhaber.

HAFTUNGSAUSSCHLUSS

DIESE BEDIENUNGSANLEITUNG UND DAS BESCHRIEBENE PRODUKT MIT SEINER HARDWARE, SOFTWARE UND FIRMWARE WERDEN, SOWEIT GESETZLICH ZULÄSSIG, IN DER „VORLIEGENDEN FORM“ UND MIT „ALLEN FEHLERN UND IRRTÜMERN“ BEREITGESTELLT. HIKMICRO GIBT KEINE GARANTIEN, WEDER AUSDRÜCKLICH NOCH STILLSCHWEIGEND, EINSCHLIEßLICH, ABER NICHT DARAUF BESCHRÄNKT, MARKTGÄNGIGKEIT, ZUFRIEDENSTELLENDEN QUALITÄT ODER EIGNUNG FÜR EINEN BESTIMMTEN ZWECK. DIE NUTZUNG DES PRODUKTS DURCH SIE ERFOLGT AUF IHRE EIGENE

GEFAHR. IN KEINEM FALL IST HIKMICRO IHNEN GEGENÜBER HAFTBAR FÜR BESONDERE, ZUFÄLLIGE, DIREKTE ODER INDIREKTE SCHÄDEN, EINSCHLIEßLICH, JEDOCH NICHT DARAUF BESCHRÄNKT, VERLUST VON GESCHÄFTSGEWINNEN, GESCHÄFTSUNTERBRECHUNG, DATENVERLUST, SYSTEMBESCHÄDIGUNG, VERLUST VON DOKUMENTATIONEN, SEI ES AUFGRUND VON VERTRAGSBRUCH, UNERLAUBTER HANDLUNG (EINSCHLIEßLICH FAHRLÄSSIGKEIT), PRODUKTHAFTUNG ODER ANDERWEITIG, IN VERBINDUNG MIT DER VERWENDUNG DIESES PRODUKTS, SELBST WENN HIKMICRO ÜBER DIE MÖGLICHKEIT DERARTIGER SCHÄDEN ODER VERLUSTE INFORMIERT WAR.

SIE ERKENNEN AN, DASS DIE NATUR DES INTERNETS DAMIT VERBUNDENE SICHERHEITSRISIKEN BEINHÄLTET. HIKMICRO ÜBERNIMMT KEINE VERANTWORTUNG FÜR ANORMALEN BETRIEB, DATENVERLUST ODER ANDERE SCHÄDEN, DIE SICH AUS CYBERANGRIFFEN, HACKERANGRIFFEN, VIRUSINFEKTION ODER ANDEREN SICHERHEITSRISIKEN IM INTERNET ERGEBEN. HIKMICRO WIRD JEDOCH BEI BEDARF ZEITNAH TECHNISCHEM SUPPORT LEISTEN.

SIE STIMMEN ZU, DIESES PRODUKT IN ÜBEREINSTIMMUNG MIT ALLEN GELTENDEN GESETZEN ZU VERWENDEN, UND SIE SIND ALLEIN DAFÜR VERANTWORTLICH, DASS IHRE VERWENDUNG GEGEN KEINE GELTENDEN GESETZE VERSTÖßT. INSBESONDERE SIND SIE DAFÜR VERANTWORTLICH, DIESES PRODUKT SO ZU VERWENDEN, DASS DIE RECHTE DRITTER NICHT VERLETZT WERDEN, EINSCHLIEßLICH, ABER NICHT BESCHRÄNKT AUF VERÖFFENTLICHUNGSRECHTE, DIE RECHTE AN GEISTIGEM EIGENTUM ODER DEN DATENSCHUTZ UND ANDERE PERSÖNLICHKEITSRECHTE. DIESES PRODUKT DARF NICHT FÜR DIE ILLEGALE JAGD AUF TIERE, DIE VERLETZUNG DER PRIVATSPHÄRE ODER FÜR EINEN ANDEREN ZWECK VERWENDET WERDEN, DER ILLEGAL ODER DEM ÖFFENTLICHEN INTERESSE ABTRÄGLICH IST. SIE DÜRFEN DIESES PRODUKT NICHT FÜR VERBOTENE ENDANWENDUNGEN VERWENDEN, EINSCHLIEßLICH DER ENTWICKLUNG ODER HERSTELLUNG VON MASSENVERNICHTUNGSWAFFEN, DER ENTWICKLUNG ODER HERSTELLUNG CHEMISCHER ODER BIOLOGISCHER WAFFEN, JEDLICHER AKTIVITÄTEN IM ZUSAMMENHANG MIT EINEM NUKLEAREN SPRENGKÖRPER ODER UNSICHEREN NUKLEAREN BRENNSTOFFKREISLAUF BZW. ZUR UNTERSTÜTZUNG VON MENSCHENRECHTSVERLETZUNGEN.

IM FALL VON WIDERSPRÜCHEN ZWISCHEN DIESER BEDIENUNGSANLEITUNG UND GELTENDEM RECHT IST LETZTERES MASSGEBLICH.

Behördliche Informationen

Diese Bestimmungen gelten nur für Produkte, die das entsprechende Zeichen oder die entsprechenden Informationen tragen.

EU-Konformitätserklärung



Dieses Produkt und – falls zutreffend – auch das mitgelieferte Zubehör sind mit dem „CE“-Zeichen gekennzeichnet und entsprechen somit den gültigen harmonisierten Europäischen Normen, die in den Richtlinien 2014/53/EU (RED), 2014/30/EU (EMCD), 2014/35/EU (LVD) und 2011/65/EU (RoHS) aufgeführt sind.



Richtlinie 2012/19/EU (WEEE-Richtlinie): Produkte, die mit diesem Symbol gekennzeichnet sind, dürfen innerhalb der Europäischen Union nicht mit dem Hausmüll entsorgt werden. Für korrektes Recycling geben Sie dieses Produkt an Ihren örtlichen Fachhändler zurück oder entsorgen Sie es an einer der Sammelstellen. Weitere Informationen finden Sie unter: www.recyclethis.info.



Richtlinie 2006/66/EC und ihre Änderung 2013/56/EU (Batterierichtlinie): Dieses Produkt enthält eine Batterie, die innerhalb der Europäischen Union nicht mit dem Hausmüll entsorgt werden darf. Siehe Produktdokumentation für spezifische Hinweise zu Batterien. Die Batterie ist mit diesem Symbol gekennzeichnet, das zusätzlich die Buchstaben Cd für Cadmium, Pb für Blei oder Hg für Quecksilber enthalten kann. Für korrektes Recycling geben Sie die Batterie an Ihren örtlichen Fachhändler zurück oder entsorgen Sie sie an einer der Sammelstellen. Weitere Informationen finden Sie unter: www.recyclethis.info

Sicherheitshinweis

Diese Anleitungen sollen gewährleisten, dass Sie das Produkt korrekt verwenden, um Gefahren oder Sachschäden zu vermeiden.

Gesetze und Vorschriften

- Die Verwendung des Produkts muss in strikter Übereinstimmung mit den örtlichen Vorschriften zur elektrischen Sicherheit erfolgen.

Transportwesen

- Bewahren Sie das Gerät beim Transport in der ursprünglichen oder einer vergleichbaren Verpackung auf.
- Bewahren Sie das gesamte Verpackungsmaterial nach dem Auspacken für zukünftigen Gebrauch auf. Im Falle eines Fehlers müssen Sie das Gerät in der Originalverpackung an das Werk zurücksenden. Beim Transport ohne Originalverpackung kann das Gerät beschädigt werden und wir übernehmen keine Verantwortung.
- Lassen Sie das Produkt nicht fallen und vermeiden Sie heftige Stöße. Halten Sie das Gerät von magnetischen Störungen fern.

Spannungsversorgung

- Die Eingangsspannung sollte der Stromquelle mit begrenzter Leistung (5 V DC, 2 A) gemäß der Norm IEC62368-1 entsprechen. Siehe technische Daten für detaillierte Informationen.
- Stellen Sie sicher, dass der Stecker richtig in der Steckdose steckt.
- Verbinden Sie NICHT mehrere Geräte mit einem Netzteil, da es andernfalls durch Überlastung zu einer Überhitzung oder einem Brand kommen kann.
- Verwenden Sie das von einem qualifizierten Hersteller mitgelieferte Netzteil. Detaillierte Anforderungen an die Stromversorgung finden Sie in der Produktspezifikation.

Batterie

- Der integrierte Akku darf nicht demontiert werden. Wenden Sie sich gegebenenfalls zur Reparatur an den Hersteller.
- Achten Sie bei langfristiger Lagerung des Akkus darauf, dass er alle sechs Monate vollständig geladen wird, um seine Lebensdauer zu gewährleisten. Anderenfalls kann es zu Schäden kommen.
- Verwenden Sie nur einen von einem qualifizierten Hersteller gelieferten Akku. Detaillierte Angaben zu den Batterie-/Akku-Anforderungen finden Sie in der Produktspezifikation.
- ACHTUNG: Bei Austausch der Batterie durch einen falschen Typ besteht Explosionsgefahr.
- Unsachgemäßer Austausch der Batterien durch einen falschen Typ kann eine Schutzvorrichtung umgehen (z. B. bei einigen Lithium-Batterietypen).
- Batterien nicht durch Verbrennen, in einem heißen Ofen oder Zerkleinern oder Zerschneiden entsorgen. Das kann zu einer Explosion führen.
- Bewahren Sie Batterien nicht in einer Umgebung mit extrem hoher Temperatur auf. Das kann

zu einer Explosion oder zum Auslaufen von entflammbarer Flüssigkeit oder Gas führen.

- Setzen Sie Batterien keinem extrem niedrigen Luftdruck aus. Das kann zu einer Explosion oder zum Auslaufen von entflammbarer Flüssigkeit oder Gas führen.
- Entsorgen Sie verbrauchte Batterien entsprechend der Anleitung.

Wartung

- Falls das Produkt nicht einwandfrei funktionieren sollte, wenden Sie sich an Ihren Händler oder den nächstgelegenen Kundendienst. Wir übernehmen keine Haftung für Probleme, die durch nicht Reparatur- oder Instandhaltungsarbeiten von nicht autorisierten Dritten verursacht werden.
- Wischen Sie das Gerät bei Bedarf sanft mit einem sauberen Tuch und einer geringen Menge Ethanol ab.
- Wenn das Gerät nicht vom Hersteller vorgegebenem Sinne genutzt wird, kann der durch das Gerät bereitgestellte Schutz beeinträchtigt werden.

Einsatzumgebung

- Achten Sie darauf, dass die Betriebsumgebung den Anforderungen des Geräts entspricht. Die Betriebstemperatur des Geräts beträgt -20 °C bis +55 °C und die Betriebsluftfeuchtigkeit darf höchstens 95 % betragen.
- Setzen Sie das Gerät KEINER hohen elektromagnetischen Strahlung oder staubigen Umgebungen aus.
- Richten Sie das Objektiv NICHT auf die Sonne oder eine andere helle Lichtquelle.

Notruf

- Sollten sich Rauch, Gerüche oder Geräusche in dem Gerät entwickeln, so schalten Sie es unverzüglich aus und ziehen Sie den Netzstecker; wenden Sie sich dann an den Kundendienst.

Anschrift des Herstellers

Raum 313, Einheit B, Gebäude 2, 399 Danfeng-Straße, Gemarkung Xixing, Stadtbezirk Binjiang, Hangzhou, Zhejiang 310052, China
Hangzhou Microimage Software Co., Ltd.

RECHTLICHER HINWEIS: Die Produkte der Wärmebild-Serie unterliegen unter Umständen in verschiedenen Ländern oder Regionen Exportkontrollen, wie zum Beispiel in den Vereinigten Staaten, der Europäischen Union, dem Vereinigten Königreich und/oder anderen Mitgliedsländern des Wassenaar-Abkommens. Bitte wenden Sie sich an Ihren professionellen Rechts- oder Compliance-Experten oder an die zuständigen Behörden, wenn Sie beabsichtigen, Produkte der Wärmebild-Serie zwischen verschiedenen Ländern zu transferieren, zu exportieren oder zu reexportieren, um Informationen über eine eventuell erforderliche Ausfuhrgenehmigung zu erhalten.

Français

1 Brève description

Cette caméra thermique monoculaire portable est un appareil équipé de fonctions d'observation, de suivi par ciblage de la température la plus élevée, de mesure de distance, de point d'accès Wi-Fi, etc. Son détecteur thermique à haute sensibilité intégré vous offre une vision claire, même

dans l'obscurité la plus totale. L'appareil trouve une application principalement dans les scénarios en extérieur tels que la chasse, la recherche et le sauvetage, les randonnées, le tourisme, etc.

L'appareil peut capturer des instantanés et enregistrer des vidéos. Définissez les paramètres à l'aide de l'application HIMICRO Sight après avoir connecté votre téléphone à un point d'accès.

Recherchez l'application HIMICRO Sight dans l'App Store (système iOS) ou sur Google Play™ (système Android) ou scannez le code QR pour la télécharger et l'installer.



Système Android

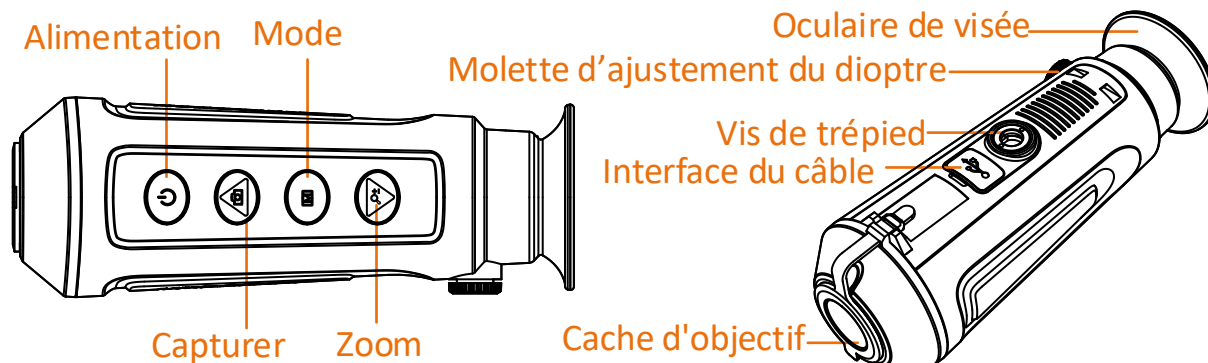


Système iOS



Les bandes de fréquence, les modes et les limites nominales de la puissance transmise (rayonnée ou par conduction) applicables à ce dispositif radio sont les suivantes :



Wi-Fi 2,4 GHz (2,4 GHz à 2,4835 GHz)	20 dBm
--------------------------------------	--------

2 Apparence



Bouton

Icône	Bouton	Fonction
	Alimentation	Appuyer une fois pour mettre l'appareil en veille ou le réactiver Appuyer longuement pour allumer/éteindre
	Mode	Appuyer une fois pour activer le mode palette de couleurs

Icône	Bouton	Fonction
		Appuyer longuement pour accéder au menu
	Capturer	Appuyez pour capturer Appuyer pour enregistrer
	Zoom	Appuyer une fois pour effectuer un zoom numérique Maintien : Correction de champ plat

Interface

- Cache d'objectif : protège l'objectif contre la poussière ou les rayures.
- Molette d'ajustement du dioptre : permet de régler l'affichage selon votre degré de myopie.
- Interface du câble : pour recharger l'appareil ou exporter des fichiers via le câble USB fourni.
- Vis de trépied : installée sur le trépied.

3 Rechargement de l'appareil

Après le démarrage de l'appareil, l'affichage à l'écran indique l'état de la batterie. Lorsque la batterie est faible, chargez l'appareil et assurez-vous qu'il fonctionne correctement.

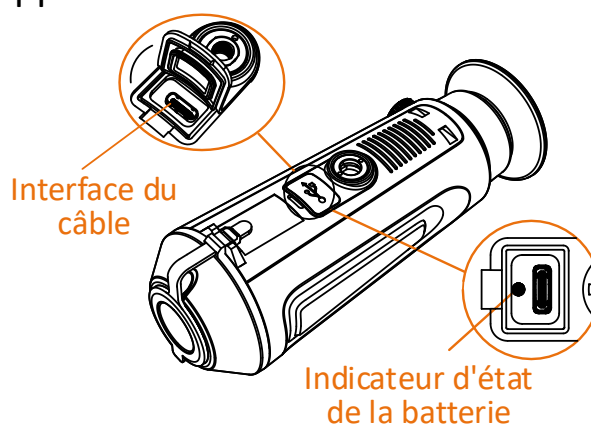
Avant de commencer

- La température de charge doit être comprise entre 0 °C et 45 °C.
- Rechargez l'appareil à l'aide du câble USB fourni.

Procédures

1. Soulevez le couvercle du port USB.
2. Branchez le câble USB et chargez l'appareil.

- Clignotement rouge et vert : une erreur s'est produite.
- Rouge fixe : la batterie se recharge correctement.
- Vert fixe : la batterie est entièrement rechargée.
- Éteint : la batterie ne se recharge pas.



Manuel d'utilisation



Informations légales

©2022 Hangzhou Microimage Software Co., Ltd. Tous droits réservés.

À propos de ce manuel

Ce manuel fournit des instructions d'utilisation et de gestion du produit. Les images, les tableaux, les figures et toutes les autres informations ci-après ne sont données qu'à titre de description et d'explication. Les informations contenues dans ce manuel sont modifiables sans préavis, en raison d'une mise à jour d'un micrologiciel ou pour d'autres raisons. Veuillez trouver la dernière version de ce manuel sur le site Internet de HIKMICRO (www.hikmicrotech.com).

Veuillez utiliser ce mode d'emploi avec les conseils et l'assistance de professionnels spécialement formés dans la prise en charge de ce produit.

Reconnaissance des marques de commerce



HIKMICRO

et les autres marques commerciales et logos de HIKMICRO sont la propriété

de HIKMICRO dans diverses juridictions.

Toutes les autres marques et tous les logos mentionnés appartiennent à leurs propriétaires respectifs.

MENTIONS LÉGALES

DANS LES LIMITES AUTORISÉES PAR LA LOI EN VIGUEUR, LE PRÉSENT MANUEL ET LE PRODUIT DÉCRIT, AINSI QUE SON MATÉRIEL, SES LOGICIELS ET SES MICROLOGICIELS, SONT FOURNIS « EN L'ÉTAT » ET « AVEC CES FAIBLESSES ET ERREURS ». HIKMICRO NE FAIT AUCUNE GARANTIE, EXPLICITE OU IMPLICITE, Y COMPRIS, MAIS SANS S'Y LIMITER, DE QUALITÉ MARCHANDE, DE QUALITÉ SATISFAISANTE, OU D'ADÉQUATION À UN USAGE PARTICULIER. VOUS UTILISEZ LE PRODUIT À VOS PROPRES RISQUES. EN AUCUN CAS, HIKMICRO NE SERA TENU RESPONSABLE DE TOUT DOMMAGE SPÉCIAL, CONSÉCUTIF, ACCESSOIRE OU INDIRECT, Y COMPRIS, ENTRE AUTRES, LES DOMMAGES RELATIFS À LA PERTE DE PROFITS D'ENTREPRISE, À L'INTERRUPTION D'ACTIVITÉS COMMERCIALES, OU LA PERTE DES DONNÉES, LA CORRUPTION DES SYSTÈMES, OU LA PERTE DES DOCUMENTS, S'ILS SONT BASÉS SUR UNE VIOLATION DE CONTRAT, UNE FAUTE (Y COMPRIS LA NÉGLIGENCE), LA RESPONSABILITÉ EN MATIÈRE DE PRODUITS, OU AUTRE, EN RAPPORT AVEC L'UTILISATION DU PRODUIT, MÊME SI HIKMICRO A ÉTÉ INFORMÉ DE LA POSSIBILITÉ D'UN TEL DOMMAGE OU D'UNE TELLE PERTE.

VOUS RECONNAISSEZ QUE LA NATURE D'INTERNET EST SOURCE DE RISQUES DE SÉCURITÉ INHÉRENTS, ET HIKMICRO SE DÉGAGE DE TOUTE RESPONSABILITÉ EN CAS DE FONCTIONNEMENT ANORMAL, DIVULGATION D'INFORMATIONS CONFIDENTIELLES OU AUTRES DOMMAGES DÉCOULANT D'UNE CYBERATTAQUE, D'UN PIRATAGE INFORMATIQUE, D'UNE INFECTION PAR DES VIRUS, OU AUTRES RISQUES DE SÉCURITÉ LIÉS À INTERNET ; TOUTEFOIS, HIKMICRO FOURNIRA UNE ASSISTANCE TECHNIQUE DANS LES DÉLAIS SI NÉCESSAIRE.

VOUS ACCEPTEZ D'UTILISER CE PRODUIT CONFORMÉMENT À L'ENSEMBLE DES LOIS EN VIGUEUR.

IL EST DE VOTRE RESPONSABILITÉ EXCLUSIVE DE VEILLER À CE QUE VOTRE UTILISATION SOIT CONFORME À LA LOI APPLICABLE. IL VOUS APPARTIENT SURTOUT D'UTILISER CE PRODUIT D'UNE MANIÈRE QUI NE PORTE PAS ATTEINTE AUX DROITS DE TIERS, Y COMPRIS, MAIS SANS S'Y LIMITER, LES DROITS DE PUBLICITÉ, LES DROITS DE PROPRIÉTÉ INTELLECTUELLE, OU LA PROTECTION DES DONNÉES ET D'AUTRES DROITS À LA VIE PRIVÉE. VOUS NE DEVEZ PAS UTILISER CE PRODUIT POUR LA CHASSE ILLÉGALE D'ANIMAUX, LA VIOLATION DE LA VIE PRIVÉE OU POUR TOUTE AUTRE FIN JUGÉE ILLÉGALE OU PRÉJUDICIALE À L'INTÉRÊT PUBLIC. VOUS NE DEVEZ PAS UTILISER CE PRODUIT POUR TOUTE UTILISATION FINALE INTERDITE, NOTAMMENT LA MISE AU POINT OU LA PRODUCTION D'ARMES DE DESTRUCTION MASSIVE, LA MISE AU POINT OU LA FABRICATION D'ARMES CHIMIQUES OU BIOLOGIQUES, LES ACTIVITÉS DANS LE CONTEXTE LIÉ AUX EXPLOSIFS NUCLÉAIRES OU AU CYCLE DU COMBUSTIBLE NUCLÉAIRE DANGEREUX, OU SOUTENANT LES VIOLATIONS DES DROITS DE L'HOMME.

EN CAS DE CONFLIT ENTRE CE MANUEL ET LES LOIS EN VIGUEUR, CES DERNIÈRES PRÉVALENT.

Réglementation

Ces clauses ne s'appliquent qu'aux produits portant la marque ou l'information correspondante.

Déclaration de conformité UE



Ce produit et, le cas échéant, les accessoires qui l'accompagnent, sont estampillés « CE » et sont donc conformes aux normes européennes harmonisées en vigueur répertoriées sous la Directive 2014/53/UE (DER), la Directive 2014/30/UE (DCEM), la Directive 2014/35/UE (DBT) et la Directive 2011/65/UE (RoHS).



Directive 2012/19/UE (directive DEEE) : Dans l'Union européenne, les produits portant ce pictogramme ne doivent pas être déposés dans une décharge municipale où le tri des déchets n'est pas pratiqué. Pour un recyclage adéquat, remettez ce produit à votre revendeur lors de l'achat d'un nouvel équipement équivalent, ou déposez-le dans un lieu de collecte prévu à cet effet. Pour de plus amples informations, visitez le site Web : www.recyclethis.info



Directive 2006/66/CE et son amendement 2013/56/UE (directive sur les batteries) : Ce produit renferme une batterie qui ne doit pas être déposée dans une décharge municipale où le tri des déchets n'est pas pratiqué, dans l'Union européenne. Pour plus de précisions sur la batterie, reportez-vous à sa documentation. La batterie porte le pictogramme ci-contre, qui peut inclure la mention Cd (cadmium), Pb (plomb) ou Hg (mercure). Pour la recycler correctement, renvoyez la batterie à votre revendeur ou déposez-la dans un point de collecte prévu à cet effet. Pour de plus amples informations, visitez le site Web : www.recyclethis.info.

Consignes de sécurité

L'objectif de ces instructions est de garantir que l'utilisateur soit en mesure d'utiliser correctement le produit sans danger ou dommage aux biens.

Lois et réglementations

- L'appareil doit être strictement utilisé conformément à la réglementation locale en matière de

sécurité électrique.

Transport

- Gardez l'appareil dans son emballage d'origine ou dans un emballage similaire lors de son transport.
- Veuillez conserver l'emballage de l'appareil pour toute utilisation ultérieure. En cas de panne, vous devrez renvoyer l'appareil à l'usine dans son emballage d'origine. Le transport de l'appareil sans son emballage d'origine peut l'endommager, et l'entreprise se dégage de toute responsabilité dans ce cas.
- Ne pas faire tomber le produit ou le soumettre à un choc physique. Éloigner l'appareil d'interférences magnétiques.

Alimentation électrique

- La tension d'entrée doit être conforme à celle d'une source d'alimentation limitée (5 V CC, 2 A) selon la norme CEI 62368-1. Veuillez vous référer aux caractéristiques techniques pour des informations détaillées.
- Vérifiez que la prise est correctement branchée à la prise électrique.
- Pour éviter tout risque de surchauffe ou d'incendie dû à une surcharge, ne reliez PAS plusieurs appareils à un seul adaptateur d'alimentation.
- Utilisez l'adaptateur d'alimentation fourni par un fabricant qualifié. Reportez-vous aux spécifications du produit pour les dispositions nécessaires et détaillées en matière d'alimentation.

Pile

- La batterie intégrée ne peut pas être démontée. Veuillez contacter le fabricant pour réparation si nécessaire.
- En cas de stockage à long terme de la batterie, assurez-vous qu'elle est complètement chargée tous les six mois afin d'en conserver la qualité. Dans le cas contraire, elle pourrait se détériorer.
- Utilisez une pile fournie par un fabricant qualifié. Reportez-vous aux spécifications du produit pour les détails concernant la batterie.
- ATTENTION : Il y a un risque d'explosion lorsque la pile est remplacée par une pile de type incorrect.
- Le remplacement de la pile par une pile du mauvais type peut conduire à l'annulation d'une protection (par exemple, dans le cas de certains types de batteries au lithium).
- Ne jetez pas une batterie au feu ou dans un four chaud, ni ne broyez mécaniquement ou découpez une batterie, car cela pourrait engendrer une explosion.
- Ne laissez pas une batterie dans un environnement ambiant extrêmement chaud, car vous encourez un risque d'explosion ou une fuite de liquide ou de gaz inflammable.
- N'exposez pas une batterie à des pressions atmosphériques extrêmement basses, car vous encourez un risque d'explosion ou une fuite de liquide ou de gaz inflammable.
- Éliminez les batteries usées conformément aux instructions.

Maintenance

- Si le produit ne fonctionne pas correctement, contactez votre revendeur ou le centre de service le plus proche. Nous n'assumerons aucune responsabilité concernant les problèmes causés par une réparation ou une opération de maintenance non autorisée.
- Essuyez délicatement l'appareil à l'aide d'un chiffon propre imbibé d'une petite quantité d'éthanol, si nécessaire.
- Si l'appareil n'est pas utilisé conformément aux indications du fabricant, le dispositif de protection fourni par l'appareil peut être compromis.

Environnement d'exploitation

- Assurez-vous que l'environnement d'exploitation répond aux exigences de l'appareil. La température de fonctionnement doit être comprise entre -20 °C et 55 °C, et l'humidité de fonctionnement doit être de 95 % ou moins.
- N'exposez PAS l'appareil à de puissants rayonnements électromagnétiques ou à des environnements poussiéreux.
- N'orientez PAS l'objectif vers le soleil ou toute autre source de lumière vive.

Urgence

- Si de la fumée, des odeurs ou du bruit s'échappent de l'appareil, mettez immédiatement l'appareil hors tension et débranchez le câble d'alimentation, puis contactez un centre de réparation.

Adresse de fabrication

Logement 313, Unité B, Bâtiment 2, 399 Danfeng Road, Sous-district de Xixing, District de Binjiang, Hangzhou, Zhejiang 310052, Chine
Hangzhou Microimage Software Co., Ltd.

AVIS DE CONFORMITÉ : Il est possible que les produits de la série thermique soient soumis à des contrôles d'exportation dans divers pays ou diverses régions, ce qui inclut, sans s'y limiter, les États-Unis, l'Union européenne, le Royaume-Uni ou d'autres pays membres de l'Arrangement de Wassenaar. Veuillez consulter votre expert professionnel en questions juridiques ou en conformité ou les autorités de votre gouvernement local pour toute exigence de permis d'exportation si vous prévoyez de transférer, d'exporter ou de réexporter des produits de la série thermique entre différents pays.

Español

1 Descripción breve

La cámara monocular térmica portátil es un dispositivo portátil con funciones de observación, seguimiento de objetivos de alta temperatura, medición de la distancia, punto de acceso wifi, etc. El detector térmico incorporado de alta sensibilidad le proporciona una visión clara incluso en la oscuridad total. El dispositivo se usa principalmente en escenarios al aire libre, como la caza, la búsqueda y el rescate, el senderismo y los viajes.

El dispositivo podrá capturar imágenes, grabar vídeos y configurar los ajustes mediante la aplicación HIKMICRO Sight después de conectar el teléfono a través de un punto de acceso.

Busque la aplicación HIKMICRO Sight en App Store (dispositivos iOS) o en Google Play™ (dispositivos Android) para descargarla. Alternativamente, puede escanear el código QR para descargarla e instalarla.



Sistema Android

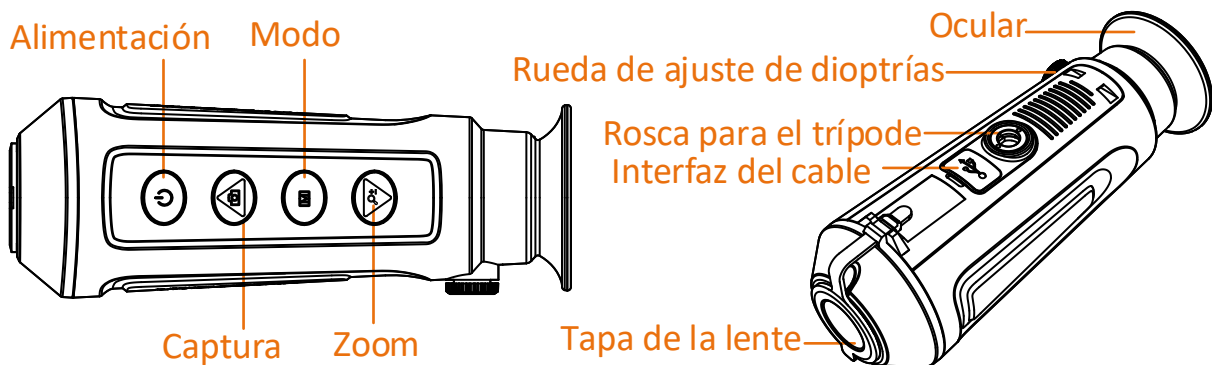


Sistema iOS

Las bandas de frecuencia y los modos, así como los límites nominales de la potencia transmitida (radiada o conducida) aplicables a este dispositivo de radio se indican a continuación:

Wi-Fi a 2,4 GHz (de 2,4 GHz a 2,4835 GHz)	20 dBm
---	--------

2 Apariencia



Botón

Icono	Botón	Función
	Alimentación	Pulsar: modo de espera/activar dispositivo Mantener pulsado: encender/apagar
	Modo	Pulsar: paleta de colores Mantener pulsado: menú
	Captura	Pulsar: capturar Mantener pulsado: grabar
	Zoom	Pulsar: zoom digital Mantener pulsado: Corrección de campo plano

Conexión

- Tapa de la lente: protege la lente contra el polvo y los rayones.
- Rueda de ajuste de dioptrías: ajusta la visión según su grado de miopía.
- Interfaz del cable: carga el dispositivo o exporta archivos con el cable

USB proporcionado.

- Rosca para el trípode: se conecta al trípode.

3 Cargar el dispositivo

Después de encender el dispositivo, la OSD (visualización en pantalla) muestra el estado de la batería. Cuando el nivel de batería sea bajo, cargue el dispositivo y compruebe que funcione correctamente.

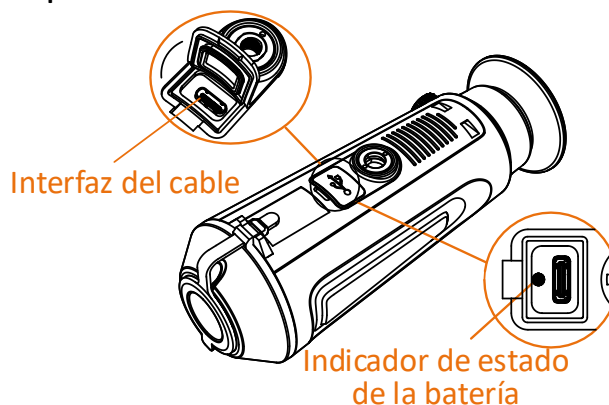
Antes de comenzar

- La temperatura de carga debe ser de 0 °C y 45 °C (32 y 113°F).
- Cargue el dispositivo usando el cable USB proporcionado.

Pasos

1. Levante la tapa del USB.
2. Enchufe el cable USB y cargue el dispositivo.

- Parpadeo en rojo y verde: se ha producido un error.
- Rojo continuo: la batería no se está cargando.
- Verde continuo: la batería está completamente cargada.
- Apagado: la batería no está cargada.



Manual de usuario



Información legal

©2022 Hangzhou Microimage Software Co., Ltd. Todos los derechos reservados.

Sobre este manual

Este manual incluye las instrucciones de utilización y gestión del producto. Las figuras, gráficos, imágenes y cualquier otra información que encontrará en lo sucesivo tienen únicamente fines descriptivos y aclaratorios. La información incluida en el manual está sujeta a cambios, sin aviso previo, debido a las actualizaciones de software u otros motivos. Visite el sitio web de HIKMICRO (www.hikmicrotech.com/) para encontrar la última versión de este manual.

Utilice este manual con la guía y asistencia de profesionales capacitados en el soporte del producto.

Reconocimiento de marcas comerciales

 **HIKMICRO** y otras marcas comerciales y logotipos de HIKMICRO son propiedad de

HIKMICRO en diferentes jurisdicciones.

Las demás marcas comerciales y logotipos mencionados son propiedad de sus respectivos dueños.

AVISOS LEGALES

EN LA MEDIDA MÁXIMA PERMITIDA POR LAS LEYES APLICABLES, ESTE MANUAL Y EL PRODUCTO DESCRITO —INCLUIDOS SU HARDWARE, SOFTWARE Y FIRMWARE— SE SUMINISTRAN «TAL CUAL» Y «CON TODOS SU FALLOS Y ERRORES». HIKMICRO NO OFRECE GARANTÍAS, EXPLÍCITAS O IMPLÍCITAS, INCLUIDAS, A MODO MERAMENTE ENUNCIATIVO MAS NO LIMITATIVO, AQUELLAS DE COMERCIALIZACIÓN, CALIDAD SATISFACTORIA O IDONEIDAD PARA UN PROPÓSITO EN PARTICULAR. EL USO QUE HAGA DEL PRODUCTO CORRE BAJO SU ÚNICO RIESGO. EN NINGÚN CASO, HIKMICRO PODRÁ CONSIDERARSE RESPONSABLE ANTE USTED DE NINGÚN DAÑO ESPECIAL, CONSECUENTE, INCIDENTAL O INDIRECTO, INCLUYENDO, ENTRE OTROS, DAÑOS POR PÉRDIDAS DE BENEFICIOS COMERCIALES, INTERRUPCIÓN DE LA ACTIVIDAD COMERCIAL, PÉRDIDA DE DATOS, CORRUPCIÓN DE LOS SISTEMAS O PÉRDIDA DE DOCUMENTACIÓN, YA SEA POR INCUMPLIMIENTO DEL CONTRATO, AGRAVIO (INCLUYENDO NEGLIGENCIA), RESPONSABILIDAD DEL PRODUCTO O EN RELACIÓN CON EL USO DEL PRODUCTO, INCLUSO CUANDO HIKMICRO HAYA RECIBIDO UNA NOTIFICACIÓN DE LA POSIBILIDAD DE DICHOS DAÑOS O PÉRDIDAS.

USTED RECONOCE QUE LA NATURALEZA DE INTERNET IMPLICA RIESGOS DE SEGURIDAD INHERENTES Y QUE HIKMICRO NO TENDRÁ NINGUNA RESPONSABILIDAD POR NINGÚN FUNCIONAMIENTO ANORMAL, FILTRACIONES DE PRIVACIDAD U OTROS DAÑOS RESULTANTES DE ATAQUES CIBERNÉTICOS, ATAQUES DE PIRATAS INFORMÁTICOS, INFECCIONES DE VIRUS U OTROS RIESGOS DE SEGURIDAD PROPIOS DE INTERNET; NO OBSTANTE, HIKMICRO PROPORCIONARÁ EL APOYO TÉCNICO OPORTUNO DE SER NECESARIO.

USTED ACEPTA USAR ESTE PRODUCTO DE CONFORMIDAD CON TODAS LAS LEYES APLICABLES Y SOLO USTED ES EL ÚNICO RESPONSABLE DE ASEGURAR QUE EL USO CUMPLA CON DICHAS LEYES. EN ESPECIAL, USTED ES RESPONSABLE DE USAR ESTE PRODUCTO DE FORMA QUE NO INFRINJA LOS DERECHOS DE TERCEROS, INCLUYENDO, DE MANERA ENUNCIATIVA MAS NO LIMITATIVA, DERECHOS DE PUBLICIDAD, DERECHOS DE PROPIEDAD INTELECTUAL, DERECHOS RELATIVOS A LA PROTECCIÓN DE DATOS Y OTROS DERECHOS RELATIVOS A LA PRIVACIDAD. NO USARÁ ESTE PRODUCTO PARA LA CAZA ILEGAL DE ANIMALES, LA INVASIÓN DE LA PRIVACIDAD O CUALQUIER OTRO PROPÓSITO QUE SEA ILEGAL O PERJUDICIAL PARA EL INTERÉS PÚBLICO. NO UTILIZARÁ ESTE PRODUCTO PARA NINGÚN USO FINAL PROHIBIDO, INCLUYENDO EL DESARROLLO O LA PRODUCCIÓN DE ARMAS DE DESTRUCCIÓN MASIVA, EL DESARROLLO O PRODUCCIÓN DE ARMAS QUÍMICAS O BIOLÓGICAS, NINGUNA ACTIVIDAD EN EL CONTEXTO RELACIONADO CON ALGÚN EXPLOSIVO NUCLEAR O EL CICLO DE COMBUSTIBLE NUCLEAR INSEGURO O EN APOYO DE ABUSOS DE LOS DERECHOS HUMANOS.

EN CASO DE HABER CONFLICTO ENTRE ESTE MANUAL Y LA LEGISLACIÓN VIGENTE, ESTA ÚLTIMA PREVALECE.

Información normative

Estas cláusulas solo se aplican a los productos que lleven la marca o la información correspondiente.

Declaración de conformidad de la UE



Este producto, así como los accesorios suministrados (si procede), tienen el marcado «CE» y, por lo tanto, cumplen con las normativas europeas armonizadas aplicables que se enumeran en la Directiva 2014/53/UE (RED), la Directiva 2014/30/UE (EMCD), la Directiva 2014/35/UE (LVD) y la Directiva 2011/65/UE (RoHS).



Directiva 2012/19/UE (directiva RAEE): En la Unión Europea, los productos marcados con este símbolo no pueden ser desechados en el sistema de basura municipal sin recogida selectiva. Para un reciclaje adecuado, entregue este producto en el lugar de compra del equipo nuevo equivalente o deshágase de él en el punto de recogida designado a tal efecto. Para más información visite: www.recyclethis.info.



Directiva 2006/66/CE y su enmienda 2013/56/UE (directiva sobre baterías): Este producto lleva una batería que no puede ser desechada en el sistema municipal de basuras sin recogida selectiva dentro de la Unión Europea. Consulte la documentación del producto para ver la información específica de la batería. La batería lleva marcado este símbolo, que incluye unas letras indicando si contiene cadmio (Cd), plomo (Pb), o mercurio (Hg). Para un reciclaje adecuado, entregue la batería a su vendedor o llévela al punto de recogida de basuras designado a tal efecto. Para más información visite: www.recyclethis.info.

Instrucciones de seguridad

Estas instrucciones están destinadas a garantizar que el usuario pueda utilizar el producto correctamente para evitar peligros o pérdidas materiales.

Leyes y normativas

- El uso del producto ha de cumplir estrictamente con las normas de seguridad eléctrica locales.

Transporte

- Guarde el dispositivo en su paquete original o en uno similar cuando lo transporte.
- Guarde el embalaje para uso futuro. En el caso de que ocurra algún fallo, deberá devolver el dispositivo a la fábrica con el envoltorio original. En caso de transporte sin el envoltorio original podría resultar en daños en el dispositivo y la empresa no se hará responsable.
- No deje caer el producto ni lo someta a impactos físicos. Mantenga el dispositivo alejado de interferencias magnéticas.

Fuente de alimentación

- La tensión de entrada debe cumplir con la fuente de alimentación limitada (5 VCC, 2 A) según el estándar IEC62368-1. Consulte las especificaciones técnicas para obtener información detallada.
- Asegúrese de que el enchufe esté correctamente conectado a la toma de corriente.
- NO conecte múltiples dispositivos a un mismo adaptador de corriente, para evitar el sobrecalentamiento y los riesgos de incendio por sobrecarga.
- Utilice el adaptador eléctrico de un fabricante reconocido. Consulte las características del producto sobre especificaciones de alimentación de energía.

Batería

- La batería integrada no puede ser desmontada. Póngase en contacto con el fabricante para

solicitar las reparaciones necesarias.

- Para almacenar la batería durante un periodo prolongado, compruebe que esté completamente cargada cada medio año para garantizar la calidad de la misma. De lo contrario, podrían ocurrir daños.
- Use una batería provista por un fabricante cualificado. Consulte las especificaciones técnicas del producto para conocer los requisitos detallados de la batería.
- PRECAUCIÓN: Riesgo de explosión si se reemplaza la batería por otra de tipo incorrecto.
- Una sustitución inadecuada de la batería por otra de tipo incorrecto podría inhabilitar alguna medida de protección (por ejemplo, en el caso de algunas baterías de litio).
- No arroje la batería al fuego ni la meta en un horno caliente, ni intente aplastar o cortar mecánicamente la batería, ya que podría explotar.
- No deje la batería en lugares con temperaturas extremadamente altas, ya que podría explotar o tener fugas de líquido electrolítico o gas inflamable.
- No permita que la batería quede expuesta a una presión de aire extremadamente baja, ya que podría explotar o tener fugas de líquido electrolítico o gas inflamable.
- Deshágase de las baterías usadas conforme a las instrucciones.

Mantenimiento

- Si el producto no funciona correctamente, por favor, póngase en contacto con su distribuidor o con el centro de servicio técnico más próximo. No nos haremos responsables de los problemas derivados de una reparación o mantenimiento no autorizados.
- Limpie suavemente el dispositivo con una gamuza limpia con una pequeña cantidad de etanol, si fuese necesario.
- Si se utiliza el equipo de una manera no especificada por el fabricante, la protección del dispositivo podría verse mermada.

Entorno de uso

- Compruebe que el entorno de uso se adapte a los requisitos del dispositivo. La temperatura de funcionamiento será de -20 y 55 °C (-4 y 131 °F) y la humedad de funcionamiento será del 95 % o inferior.
- NO exponga el dispositivo a radiaciones electromagnéticas o entornos polvorientos.
- NO oriente la lente hacia el sol ni a otras luces brillantes.

Emergencia

- Si hay presencia de humo, olores o ruidos procedentes del dispositivo, apague la alimentación inmediatamente, desenchufe el cable de alimentación y contacte con el servicio técnico.

Dirección de fabricación

Habitación 313, Unidad B, Edificio 2, Carretera de Danfeng 399, Subdistrito de Xixing, Distrito de Binjiang, Hangzhou, Zhejiang 310052, China
Hangzhou Microimage Software Co., Ltd.

AVISO DE CONFORMIDAD: Los productos de las series térmicas podrían estar sujetos a controles de exportación en algunos países o regiones; entre ellos, por ejemplo, los Estados Unidos, la Unión Europea, el Reino Unido y/o otros países miembros del Arreglo de Wassenaar. Consulte con algún experto en cumplimiento normativo y legal o con las autoridades gubernamentales locales para cumplir con los requisitos de licencia de exportación necesarios si desea transferir, exportar o reexportar los productos de las series térmicas entre distintos países.

1 Breve descrição

A câmara monocular térmica de mão é um dispositivo portátil com funcionalidades de observação, seguimento de alvo de temperatura mais alta, medição de distância, hotspot Wi-Fi, entre outras. O detetor térmico de alta sensibilidade integrado proporciona-lhe uma visão clara, mesmo na escuridão total. O dispositivo aplica-se, principalmente, a cenários de exterior tais como na caça, busca e resgate, montanhismo e viagem. O dispositivo consegue tirar instantâneos, gravar vídeos e, se o ligar ao seu telemóvel por intermédio de um hotspot, configurar parâmetros através da aplicação HIKMICRO Sight.

Procure a HIKMICRO Sight na App Store (Sistema iOS) ou na Google Play™ (Sistema Android) para a transferir, ou faça a leitura do código QR para transferir e instalar a aplicação.



Sistema Android

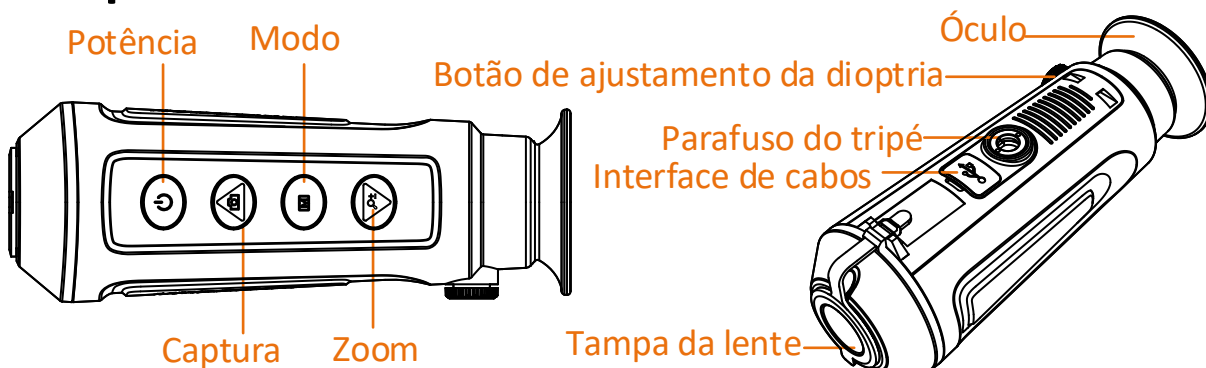


Sistema iOS





As bandas e modos de frequência e os limites nominais de potência transmitida (radiada e/ou conduzida) aplicáveis a este dispositivo de rádio são os seguintes:

Wi-Fi 2,4 GHz (2,4 GHz a 2,4835 GHz)	20 dBm
--------------------------------------	--------

2 Aspeto



Botão

Ícone	Botão	Função
	Potência	Premir: modo de standby/reativação do dispositivo Premir sem solta: ligar/desligar
	Modo	Premir: paletas Premir sem solta: menu
	Captura	Premir: captura Premir sem solta: gravação
	Zoom	Premir: zoom digital Premir sem solta: Correção do campo plano

Interface

- Tampa da lente: protege a lente do pó ou de riscos.
- Botão de ajustamento da dioptria: ajusta a vista de acordo com o seu grau de miopia.
- Interface de cabos: recarrega o dispositivo ou exporta ficheiros com o cabo fornecido.
- Parafuso do tripé: é ligado ao tripé.

3 Carregamento do dispositivo

Após o arranque do dispositivo, a OSD (apresentação no ecrã) mostra o estado da bateria. Quando a bateria estiver fraca, carregue o dispositivo e garanta que este funciona adequadamente.

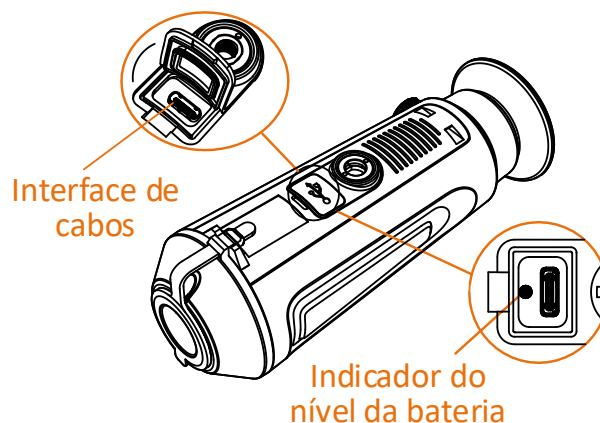
Antes de começar

- A temperatura de carregamento deve situar-se entre 0 °C e 45 °C.
- Carregue o dispositivo com o cabo USB fornecido.

Passos

1. Levante a tampa do USB.
2. Ligue o cabo USB e carregue o dispositivo.

- Intermitente vermelho e verde: ocorreu um erro.
- Vermelho contínuo: a bateria está a ser carregada adequadamente.
- Verde contínuo: a bateria foi completamente carregada.
- Desligado: a bateria não está carregada.



Manual de utilizador



Informação legal


©2022 Hangzhou Microimage Software Co., Ltd. Todos os direitos reservados.

Acerca deste Manual

O Manual inclui instruções para utilizar e gerir o produto. As fotografias, os gráficos, as imagens e todas as outras informações doravante apresentadas destinam-se apenas a fins de descritivos e informativos. As informações que constam do Manual estão sujeitas a alteração, sem aviso prévio, devido a atualizações de firmware ou a outros motivos. Encontre a versão mais recente deste Manual no website da HIKMICRO (www.hikmicrotech.com/).

Utilize este Manual sob orientação e com a assistência de profissionais formados neste Produto.

Reconhecimento de marcas comerciais

 **HIKMICRO** e outras marcas registadas e logótipos da HIKMICRO são propriedades da HIKMICRO em diversos territórios.

Outras marcas comerciais e logótipos mencionados são propriedade dos respetivos proprietários.

EXCLUSÃO DE RESPONSABILIDADE LEGAL

NA MEDIDA MÁXIMA PERMITIDA PELA LEI APLICÁVEL, ESTE MANUAL E O PRODUTO DESCRITO, COM O SEU HARDWARE, SOFTWARE E FIRMWARE, SÃO FORNECIDOS “TAL COMO ESTÃO” E “COM TODAS AS SUAS FALHAS E ERROS”. A HIKMICRO NÃO APRESENTA QUAISQUER GARANTIAS, EXPRESSAS OU IMPLÍCITAS, INCLUINDO, SEM QUAISQUER LIMITAÇÕES, GARANTIAS DE COMERCIALIZAÇÃO, QUALIDADE SATISFATÓRIA OU ADEQUAÇÃO A UM DETERMINADO FIM. A SUA UTILIZAÇÃO DESTA PRODUTO É FEITA POR SUA CONTA E RISCO. EM NENHUMA CIRCUNSTÂNCIA, A HIKMICRO SERÁ RESPONSÁVEL POR SI EM RELAÇÃO A QUAISQUER DANOS ESPECIAIS, CONSEQUENCIAIS, INCIDENTAIS OU INDIRETOS, INCLUINDO, ENTRE OUTROS, DANOS PELA PERDA DE LUCROS COMERCIAIS, INTERRUPÇÃO DA ATIVIDADE, PERDA DE DADOS, CORRUPÇÃO DE SISTEMAS OU PERDA DE DOCUMENTAÇÃO SEJA COM BASE NUMA VIOLAÇÃO DO

CONTRATO, ATOS ILÍCITOS (INCLUÍDO NEGLIGÊNCIA), RESPONSABILIDADE PELO PRODUTO OU, DE OUTRO MODO, RELACIONADA COM A UTILIZAÇÃO DO PRODUTO, AINDA QUE A HIKMICRO TENHA SIDO AVISADA SOBRE A POSSIBILIDADE DE TAIS DANOS OU PERDAS.

O UTILIZADOR RECONHECE QUE A NATUREZA DA INTERNET OFERECE RISCOS DE SEGURANÇA INERENTES E QUE A HIKMICRO NÃO SERÁ RESPONSABILIZADA POR UM FUNCIONAMENTO ANORMAL, PERDA DE PRIVACIDADE OU OUTROS DANOS RESULTANTES DE ATAQUES INFORMÁTICOS, ATAQUES DE PIRATARIA, INFEÇÃO POR VÍRUS OU OUTROS RISCOS ASSOCIADOS À SEGURANÇA DA INTERNET. NO ENTANTO, A HIKMICRO PRESTARÁ APOIO TÉCNICO ATEMPADO, SE SOLICITADO.

O UTILIZADOR ACEITA UTILIZAR ESTE PRODUTO EM CONFORMIDADE COM TODAS AS LEIS APLICÁVEIS E SER O ÚNICO RESPONSÁVEL POR GARANTIR QUE A SUA UTILIZAÇÃO É CONFORME À LEI APLICÁVEL. PARTICULARMENTE, O UTILIZADOR É O RESPONSÁVEL PELA UTILIZAÇÃO DESTE PRODUTO DE MODO QUE NÃO INFRINJA OS DIREITOS DE TERCEIROS, INCLUINDO, ENTRE OUTROS, OS DIREITOS DE PUBLICIDADE, DIREITOS DE PROPRIEDADE INTELECTUAL OU DE PROTEÇÃO DE DADOS, OU QUAISQUER OUTROS DIREITOS DE PRIVACIDADE. NÃO DEVE UTILIZAR ESTE PRODUTO PARA CAÇADAS DE ANIMAIS ILEGAIS, INVASÃO DE PRIVACIDADE OU QUALQUER OUTRA FINALIDADE QUE SEJA ILEGAL OU CONTRÁRIA AO INTERESSE PÚBLICO. O UTILIZADOR NÃO PODERÁ UTILIZAR ESTE PRODUTO PARA QUAISQUER UTILIZAÇÕES FINAIS PROIBIDAS, INCLUINDO O DESENVOLVIMENTO OU PRODUÇÃO DE ARMAS DE DESTRUIÇÃO MACIÇA, DESENVOLVIMENTO OU PRODUÇÃO DE QUÍMICOS OU ARMAS BIOLÓGICAS, QUAISQUER ATIVIDADES DESENVOLVIDAS NO ÂMBITO DE EXPLOSIVOS NUCLEARES OU CICLOS DE COMBUSTÍVEL NUCLEAR INSEGURO OU PARA APOIAR ABUSOS AOS DIREITOS HUMANOS.

NA EVENTUALIDADE DA OCORRÊNCIA DE ALGUM CONFLITO ENTRE ESTE MANUAL E A LEGISLAÇÃO APLICÁVEL, ESTA ÚLTIMA PREVALECE.

Informações sobre as normas reguladoras

As presentes cláusulas aplicam-se apenas aos produtos que apresentam a marcação ou informação correspondentes.

Declaração de conformidade da UE



Este produto e - se aplicável - os acessórios fornecidos também têm a marcação "CE" e, portanto, estão em conformidade com as normas europeias harmonizadas aplicáveis enumeradas na Diretiva 2014/53/UE (RED), Diretiva 2014/30/UE (EMCD), Diretiva 2014/35/UE (LVD) e Diretiva 2011/65/UE (RoHS).



Diretiva 2012/19/UE (Diretiva REEE): Os produtos com este símbolo não podem ser eliminados como resíduos urbanos indiferenciados na União Europeia. Para uma reciclagem adequada, devolva este produto ao seu fornecedor local quando adquirir um novo equipamento equivalente ou elimine-o através dos pontos de recolha adequados. Para mais informações, consulte: www.recyclethis.info.



Diretiva 2006/66/CE e respetiva alteração 2013/56/UE (Diretiva relativa às pilhas e baterias): Este produto contém uma bateria que não pode ser eliminada como resíduo urbano indiferenciado na União Europeia. Consulte a documentação do produto para obter informações específicas acerca da bateria. A bateria está marcada com este símbolo, que poderá incluir inscrições para indicar a presença de cádmio (Cd), chumbo (Pb), ou mercúrio (Hg). Para reciclar o produto de forma

adequada, devolva a bateria ao seu fornecedor ou coloque-a num ponto de recolha apropriado. Para mais informações, consulte: www.recyclethis.info.

Instruções de segurança

Estas instruções destinam-se a garantir que o utilizador possa utilizar o produto corretamente para evitar perigos ou perdas materiais.

Legislação e regulamentos

- A utilização do produto deve estar em total conformidade com as normais locais de manuseamento de aparelhos elétricos.

Transporte

- Mantenha o dispositivo na embalagem original ou similar, quando o transportar.
- Depois da abertura da embalagem do produto, guarde todos invólucros, para uso posterior. Em caso de qualquer avaria, deve devolver o dispositivo à fábrica com o invólucro original. O transporte sem o invólucro original pode resultar em danos no dispositivo, sendo que a empresa não assumirá quaisquer responsabilidades.
- Não deixe o produto cair, nem o sujeite a impactos físicos. Mantenha o dispositivo longe de interferências magnéticas.

Alimentação elétrica

- A tensão de entrada deve ir ao encontro da Fonte de Alimentação Limitada (5 VCC, 2A), de acordo com a norma IEC62368-1. Consulte as especificações técnicas para obter informações detalhadas.
- Certifique-se de que a ficha está devidamente ligada à tomada.
- NÃO ligue vários dispositivos a um adaptador de energia, para evitar o superaquecimento de riscos de incêndio provocados por sobrecarga.
- Utilize o adaptador de alimentação fornecido por um fabricante qualificado. Para informações detalhadas sobre os requisitos relativos à alimentação, consulte as especificações do produto.

Bateria

- A bateria integrada não pode ser desmontada. Contacte o fabricante caso necessite de uma reparação.
- Em caso de armazenamento prolongado da bateria, certifique-se de que esta é totalmente carregada de 6 em 6 meses, garantindo, assim, a sua qualidade. Caso contrário, poderão ocorrer danos.
- Utilize uma bateria fornecida por um fabricante qualificado. Para informações detalhadas sobre os requisitos relacionados com a bateria, consulte as especificações do produto.
- ADVERTÊNCIA: Existe risco de explosão se a bateria for substituída por outra de tipo incorreto.
- A substituição incorreta da bateria por outra de tipo incorreto pode destruir uma proteção (por exemplo, no caso de alguns tipos de bateria de lítio).
- Não proceda à eliminação da bateria numa fogueira ou forno quente, ou mediante esmagamento ou corte mecânico da mesma pois tal pode resultar numa explosão.
- Não deixe a bateria num ambiente com temperaturas extremamente elevadas pois tal pode resultar numa explosão ou na fuga de líquido inflamável ou gás.
- Não sujeite a bateria a pressão de ar extremamente baixa pois tal poderá resultar numa explosão de líquido inflamável ou gás.
- Elimine as pilhas usadas de acordo com as instruções.

Manutenção

- Se o produto não funcionar corretamente, contacte o seu fornecedor ou o seu centro de

assistência mais próximo. Não assumimos qualquer responsabilidade por problemas causados por reparações ou manutenções não autorizadas.

- Limpe o dispositivo suavemente com um pano limpo e uma pequena quantidade de etanol, se necessário.
- Se o equipamento for utilizado de uma forma não especificada pelo fabricante, a proteção providenciada pelo dispositivo poderá ser afetada.

Ambiente da utilização

- Certifique-se de que o ambiente de funcionamento do dispositivo cumpre os requisitos do mesmo. A temperatura de funcionamento deve situar-se entre -20 °C e 55 °C e a humidade de funcionamento deve ser igual ou inferior a 95%.
- NÃO exponha o dispositivo a radiação eletromagnética elevada nem a ambientes com pó.
- NÃO direcione a lente para o sol nem para qualquer outra luz brilhante.

Emergência

- Caso o dispositivo emita fumo, odores ou ruídos, desligue a alimentação elétrica de imediato, retire o cabo de alimentação da tomada e contacte o centro de assistência.

Endereço do fabricante

Sala 313, Unidade B, Edifício 2, Rua Danfeng 399, Subdistrito Xixing, Distrito Binjiang, Hangzhou, Zhejiang 310052, China
Hangzhou Microimage Software Co., Ltd.

AVISO DE CONFORMIDADE: Os produtos da série térmica poderão estar sujeitos a controlos de exportação em vários países ou regiões, incluindo sem limite, os Estados Unidos da América, a União Europeia, o Reino Unido e/ou outros países-membro do Acordo de Wassenaar. Consulte o seu especialista em legislação ou em conformidade ou as autoridades locais para saber os requisitos de licença de exportação necessários se pretender transferir, exportar, voltar a exportar os produtos da série térmica entre países diferentes.

Italiano

1 Breve descrizione

La termocamera monoculare portatile è un dispositivo per l'osservazione, il tracciamento della temperatura, la misurazione della distanza, con funzioni di hotspot Wi-Fi e altro. Il sensore termico integrato ad alta sensibilità offre una visione chiara anche in condizioni di totale oscurità. Il dispositivo si utilizza prevalentemente in scenari all'aperto come caccia, attività di soccorso, escursionismo, viaggi e simili.

Il dispositivo consente di acquisire immagini istantanee, registrare video e impostare i parametri tramite l'app HIKMICRO Sight, dopo la connessione a un telefono mediante hotspot.

Cercare l'app HIKMICRO Sight nell'App Store (per sistemi iOS) o in Google Play™ (per sistemi Android) e scaricarla, oppure scansionare il codice QR per scaricarla e installarla.



Per Android

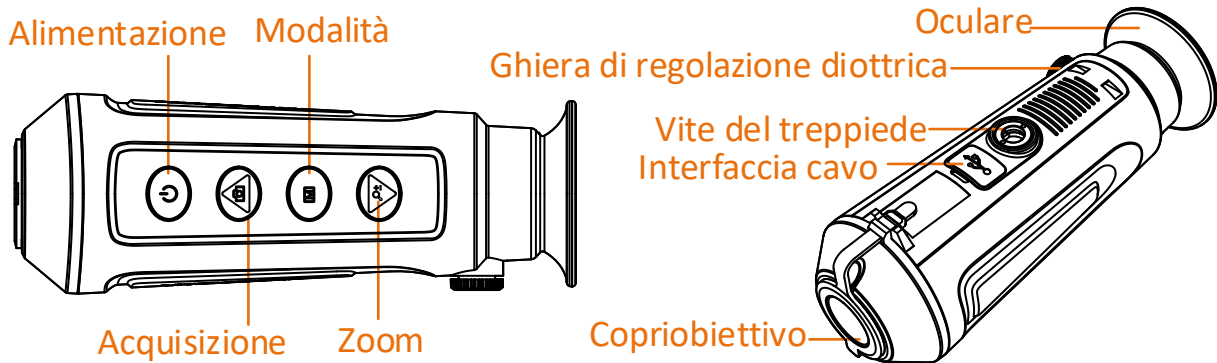


Per iOS

Le bande di frequenza, le modalità e i limiti nominali di potenza trasmessa (irradiata e/o condotta) applicabili al presente dispositivo radio sono i seguenti:

Wi-Fi 2,4 GHz (da 2,4 GHz a 2,4835 GHz)	20 dBm
---	--------

2 Aspetto



Pulsante

Icona	Pulsante	Funzione
	Alimentazione	Pressione breve: consente di mettere il dispositivo in standby e di riattivarlo Pressione lunga: consente di accendere e spegnere
	Modalità	Pressione breve: consente di regolare la gamma di colori Pressione lunga: consente di accedere al menu
	Acquisizione	Pressione breve: consente di acquisire l'immagine Pressione lunga: registrazione
	Zoom	Pressione breve: consente di regolare lo zoom digitale Pressione lunga: FFC

Interfaccia

- Copriobiettivo: protegge l'obiettivo da polvere e graffi.
- Ghiera di regolazione diottrica: consente di regolare la visione in base al grado di miopia dell'utente.
- Interfaccia cavo consente di caricare il dispositivo o di esportare i file con il cavo USB in dotazione.
- Vite del treppiede: consente l'installazione su un treppiede.

3 Dispositivo di carica

All'avvio del dispositivo viene visualizzato lo stato della batteria. Quando la batteria è scarica, caricare il dispositivo e verificare che funzioni correttamente.

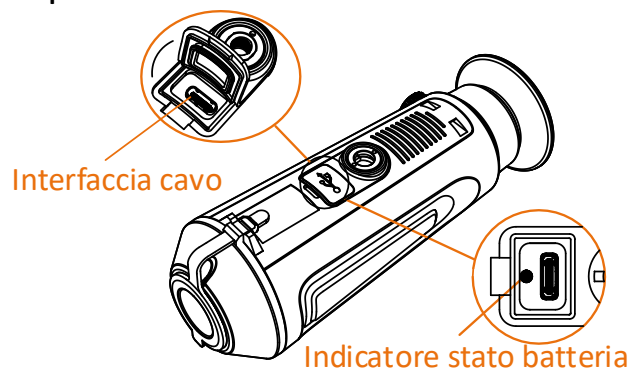
Prima di iniziare

- La temperatura di ricarica deve essere compresa tra 0 °C e 45 °C (da 32 °F a 113 °F).
- Caricare il dispositivo con il cavo USB in dotazione.

Procedura

1. Sollevare la protezione della porta USB.
2. Collegare il cavo USB e caricare il dispositivo.

- Rosso e verde lampeggiante: si è verificato un errore.
- Rosso fisso: la batteria si sta caricando correttamente.
- Verde fisso: la batteria è completamente carica.
- Spento: la batteria non si sta caricando.



Manuale dell'utente



Informazioni legali

©2022 Hangzhou Microimage Software Co., Ltd. Tutti i diritti riservati.

Informazioni sul presente Manuale

Il presente Manuale contiene le istruzioni per l'uso e la gestione del prodotto. Le illustrazioni, i grafici e tutte le altre informazioni che seguono hanno solo scopi illustrativi ed esplicativi. Le informazioni contenute nel Manuale sono soggette a modifiche senza preavviso in seguito ad aggiornamenti del firmware o per altri motivi. Scaricare la versione più recente del presente Manuale dal sito web di HIKMICRO (www.hikmicrotech.com/).

Utilizzare il presente Manuale con la supervisione e l'assistenza di personale qualificato nel supporto del prodotto.

Titolarità dei marchi

 **HIKMICRO** e gli altri marchi registrati e loghi di HIKMICRO sono di proprietà di

HIKMICRO nelle varie giurisdizioni.

Gli altri marchi registrati e loghi menzionati appartengono ai rispettivi proprietari.

ESCLUSIONE DI RESPONSABILITÀ

NELLA MISURA MASSIMA CONSENTITA DALLA LEGGE VIGENTE, QUESTO MANUALE E IL PRODOTTO DESCRITTO, CON IL SUO HARDWARE, SOFTWARE E FIRMWARE, SONO FORNITI "COSÌ COME SONO" E "CON TUTTI I DIFETTI E GLI ERRORI". HIKMICRO NON RILASCIA ALCUNA GARANZIA, NÉ ESPRESSA NÉ IMPLICITA COME, SOLO A TITOLO DI ESEMPIO, GARANZIE DI COMMERCIALIZZABILITÀ, QUALITÀ SODDISFACENTE O IDONEITÀ PER UN USO SPECIFICO. L'UTENTE UTILIZZA IL PRODOTTO A PROPRIO RISCHIO. HIKMICRO DECLINA QUALSIASI RESPONSABILITÀ VERSO L'UTENTE IN RELAZIONE A DANNI SPECIALI, CONSEGUENZIALI E INCIDENTALI, COMPRESI, TRA GLI ALTRI, I DANNI DERIVANTI DA MANCATO PROFITTO, INTERRUZIONE DELL'ATTIVITÀ O PERDITA DI DATI, DANNEGGIAMENTO DI SISTEMI O PERDITA DI DOCUMENTAZIONE, DERIVANTI DA INADEMPIENZA CONTRATTUALE, ILLECITO (COMPRESA LA NEGLIGENZA), RESPONSABILITÀ PER DANNI AI PRODOTTI O ALTRIMENTI IN RELAZIONE ALL'USO DEL PRODOTTO, ANCHE QUALORA HIKMICRO SIA STATA INFORMATA DELLA POSSIBILITÀ DI TALI DANNI O PERDITE.

L'UTENTE RICONOSCE CHE LA NATURA DI INTERNET PREVEDE RISCHI DI SICUREZZA INTRINSECI E CHE HIKMICRO DECLINA QUALSIASI RESPONSABILITÀ IN RELAZIONE A FUNZIONAMENTI ANOMALI, VIOLAZIONE DELLA RISERVATEZZA O ALTRI DANNI RISULTANTI DA ATTACCHI INFORMATICI, INFEZIONE DA VIRUS O ALTRI RISCHI LEGATI ALLA SICUREZZA SU INTERNET; TUTTAVIA, HIKMICRO FORNIRÀ TEMPESTIVO SUPPORTO TECNICO, SE NECESSARIO.

L'UTENTE ACCETTA DI UTILIZZARE IL PRODOTTO IN CONFORMITÀ A TUTTE LE LEGGI VIGENTI E DI ESSERE IL SOLO RESPONSABILE DI TALE UTILIZZO CONFORME. IN PARTICOLARE, L'UTENTE È RESPONSABILE DEL FATTO CHE L'UTILIZZO DEL PRODOTTO NON VIOLI DIRITTI DI TERZI COME, SOLO A TITOLO DI ESEMPIO, DIRITTI DI PUBBLICITÀ, DIRITTI DI PROPRIETÀ INTELLETTUALE O DIRITTI RELATIVI ALLA PROTEZIONE DEI DATI E ALTRI DIRITTI RIGUARDANTI LA PRIVACY. NON UTILIZZARE QUESTO PRODOTTO PER CACCIA ILLEGALE, VIOLAZIONE DELLA PRIVACY O ALTRI SCOPI ILLECITI O CONTRARI ALL'INTERESSE PUBBLICO. NON È CONSENTITO UTILIZZARE QUESTO PRODOTTO PER SCOPI PROIBITI, COME, TRA GLI ALTRI, LA PRODUZIONE DI ARMI DI DISTRUZIONE DI MASSA, LO SVILUPPO O LA PRODUZIONE DI ARMI CHIMICHE O BIOLOGICHE, QUALSIASI ATTIVITÀ SVOLTA IN CONTESTI CORRELATI A ESPLOSIVI NUCLEARI O COMBUSTIBILI NUCLEARI NON SICURI O ATTIVITÀ CHE CAUSINO VIOLAZIONI DEI DIRITTI UMANI.

IN CASO DI CONFLITTO TRA IL PRESENTE MANUALE E LA LEGGE VIGENTE, PREVARRÀ QUEST'ULTIMA.

Informazioni sulle norme

Queste clausole si applicano solo ai prodotti recanti il marchio o le informazioni corrispondenti.

Dichiarazione di conformità UE



Il presente prodotto e, ove applicabile, gli accessori in dotazione sono contrassegnati con il marchio "CE" e sono quindi conformi alle norme europee armonizzate vigenti di cui alla direttiva europea sulle apparecchiature radio (RED) 2014/53/UE, direttiva compatibilità elettromagnetica (EMCD) 2014/30/UE, direttiva bassa tensione (LVD) 2014/35/CE e direttiva sulla restrizione dell'uso di sostanze pericolose (RoHS) 2011/65/UE.



Direttiva 2012/19/UE (RAEE): i prodotti contrassegnati con il presente simbolo non possono essere smaltiti come rifiuti domestici indifferenziati nell'Unione europea. Per lo smaltimento corretto, restituire il prodotto al rivenditore in occasione dell'acquisto di un nuovo dispositivo o smaltirlo nei punti di raccolta autorizzati. Ulteriori informazioni sono disponibili sul sito: www.recyclethis.info



Direttiva 2006/66/CE, modificata dalla direttiva 2013/56/UE (direttiva sulle batterie): questo prodotto contiene una batteria e non è possibile smaltirlo con i rifiuti domestici indifferenziati nell'Unione europea. Consultare la documentazione del prodotto per le informazioni specifiche sulla batteria. La batteria è contrassegnata con il presente simbolo, che potrebbe includere le sigle di cadmio (Cd), piombo (Pb) o mercurio (Hg). Per lo smaltimento corretto, restituire la batteria al rivenditore locale o smaltirla nei punti di raccolta autorizzati. Ulteriori informazioni sono disponibili sul sito: www.recyclethis.info.

Istruzioni per la sicurezza

Le presenti istruzioni hanno lo scopo di garantire che il prodotto venga utilizzato in modo corretto, evitando situazioni di pericolo o danni materiali.

Leggi e regolamenti

- Il prodotto deve essere utilizzato rispettando rigorosamente le norme locali in materia di sicurezza elettrica.

Trasporto

- Per trasportare il dispositivo, riporlo nella confezione originale o in una analoga.
- Dopo aver disimballato il prodotto, conservare tutto il materiale di imballaggio per riutilizzarlo in futuro. In caso di guasti, sarà necessario inviare il dispositivo al produttore nell'imballaggio originale. Il trasporto senza l'imballaggio originale può causare danni al dispositivo; in tal caso il produttore declina ogni responsabilità.
- Non lasciar cadere il prodotto e non sottoporlo a impatti. Tenere il dispositivo lontano dalle interferenze magnetiche.

Alimentazione

- La tensione ingresso deve essere conforme alla norma IEC62368-1 sulle fonti di alimentazione limitate (5 VCC; 2 A). Per informazioni dettagliate, consultare le specifiche tecniche.
- Verificare che la spina sia correttamente inserita nella presa di corrente.

- NON collegare più dispositivi allo stesso alimentatore per evitare rischi di surriscaldamento o di incendio da sovraccarico.
- Utilizzare un alimentatore fornito da un produttore qualificato. Fare riferimento alle specifiche del prodotto per i requisiti di alimentazione dettagliati.

Batteria

- La batteria integrata non può essere smontata. Per eventuali riparazioni, rivolgersi al produttore.
- Se la batteria rimane inutilizzata per lunghi periodi, caricarla completamente ogni sei mesi per garantire una lunga durata. In caso contrario potrebbe subire danni.
- Utilizzare una batteria fornita da un produttore qualificato. Fare riferimento alle specifiche del prodotto per i requisiti di batteria dettagliati.
- **ATTENZIONE:** Esiste il rischio di esplosione se la batteria viene sostituita con una di tipo non corretto.
- La sostituzione della batteria con una di tipo non idoneo può impedire il corretto funzionamento dei sistemi di sicurezza (ad esempio con alcuni tipi di batterie al litio).
- Non gettare le batterie nel fuoco o in un forno caldo ed evitare di schiacciarle o tagliarle, per prevenire il rischio di esplosioni.
- Le batterie esposte a temperature ambientali eccessive possono esplodere o perdere liquidi o gas infiammabili.
- Le batterie sottoposte a una pressione atmosferica estremamente bassa possono esplodere o perdere liquidi o gas infiammabili.
- Smaltire le batterie usate seguendo le istruzioni.

Manutenzione

- Se il prodotto non funziona correttamente, rivolgersi al rivenditore o al centro di assistenza più vicino. Decliniamo qualsiasi responsabilità in relazione a problemi causati da interventi di riparazione o manutenzione non autorizzati.
- Se necessario, pulire delicatamente il dispositivo con un panno pulito imbevuto di una piccola quantità di alcool etilico.
- Se il dispositivo viene utilizzato in un modo non approvato dal produttore la garanzia potrebbe essere annullata.

Ambiente di utilizzo

- Verificare che l'ambiente di utilizzo sia conforme ai requisiti del dispositivo. La temperatura operativa deve essere compresa tra -20 °C e 55 °C (-4 °F e 131 °F) e l'umidità operativa deve essere inferiore al 95%.
- NON esporre il dispositivo a radiazioni elettromagnetiche intense o ad ambienti polverosi.
- NON orientare l'obiettivo verso il sole o altre luci intense.

Emergenza

- Se il dispositivo emette fumo, odori o rumori, spegnerlo immediatamente e scollegare il cavo di alimentazione, quindi rivolgersi a un centro di assistenza.

Indirizzo del produttore

Stanza 313, unità B, edificio 2, via Danfeng 399, subdistretto Xixing, distretto Binjiang, Hangzhou, Zhejiang, 310052, Cina
Hangzhou Microimage Software Co., Ltd.

AVVISO SULLA CONFORMITÀ: i prodotti termografici potrebbero essere soggetti a controlli sulle esportazioni in vari Paesi o regioni, tra cui Stati Uniti, Unione europea, Regno Unito e/o altri Paesi

membri dell'accordo di Wassenaar. Consultare un legale o un esperto di conformità o le autorità governative locali per eventuali requisiti di licenza di esportazione necessari se si intende trasferire, esportare, riesportare i prodotti termografici tra diversi Paesi.

Čeština

1 Stručný popis

Ruční monokulární termokamera je ruční zařízení s funkcemi sledování, sledování cíle s nejvyšší teplotou, měření vzdálenosti, hotspotu sítě Wi-Fi a dalšími. Vysoce citlivý vestavěný detektor teploty poskytuje zřetelný obraz i v úplné tmě. Zařízení se používá především k venkovním aktivitám, jako je lov, hledání a záchrana osob nebo zvířat, turistika a cestování. Zařízení dokáže zachycovat snímky a zaznamenávat videa a po připojení k telefonu přes hotspot umožňuje nastavování parametrů pomocí aplikace HIKMICRO Sight.

Chcete-li aplikaci HIKMICRO Sight stáhnout, vyhledejte ji v obchodech App Store (systémy iOS) nebo Google Play™ (systémy Android). Můžete ji také stáhnout a nainstalovat naskenováním kódu QR.



System Android

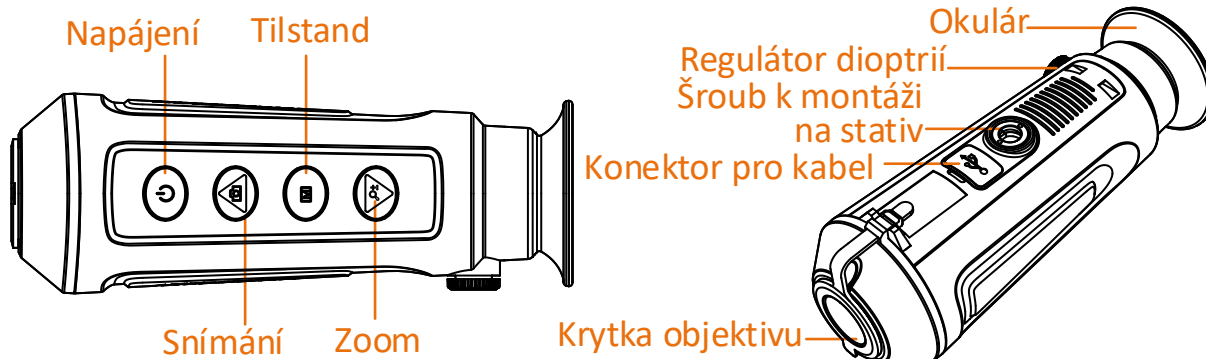


System iOS





Frekvenční pásma a režimy a jmenovité limity přenášeného výkonu (vyzařovaného anebo vedeného) jsou ve vztahu k tomuto rádiovému zařízení následující:

Wi-Fi 2,4 GHz (2,4–2,483 5 GHz)	20 dBm
---------------------------------	--------

2 Vzhled



Tlačítko

Ikona	Tlačítko	Funkce
	Napájení	Stisknutí: Slouží k aktivaci pohotovostního režimu nebo k probuzení zařízení Podržení: Slouží k zapnutí nebo vypnutí
	Tilstand	Stisknutí: Slouží k zobrazení palet Podržení: Slouží k zobrazení nabídky
	Snímání	Stisknutí: Slouží k zachycení snímku Podržení: Slouží k nahrávání
	Zoom	Stisknutí: Slouží k digitálnímu přiblížení Podržení: FFC

Konektor

- Krytka objektivu: Chrání objektiv před prachem a poškrábáním.
- Regulátor dioptrií: Zobrazení si můžete upravit podle stupně své krátkozrakosti.
- Konektor pro kabel: Slouží k nabíjení zařízení nebo exportu souborů prostřednictvím dodaného kabelu USB.
- Šroub k montáži na stativ: Slouží k připojení ke stativu.

3 Nabíjení zařízení

Po spuštění zařízení se v nabídce zobrazení na displeji zobrazí stav baterie. Je-li baterie téměř vybitá, nabíjete zařízení, abyste zajistili jeho správné fungování.

Dříve než začnete

- Teplota při nabíjení by měla být v rozsahu 0 °C až 45 °C.
- Zařízení nabíjete pomocí dodaného kabelu USB.

Kroky

1. Zvedněte krytku konektoru USB.
2. Připojte kabel USB a nabíjete zařízení.

- Bliká červeně a zeleně: Došlo k chybě.
- Svítí červeně: Baterie se nabíjí.
- Svítí zeleně: Baterie je plně nabitá.
- Nesvítí: Baterie se nenabíjí.



Návod k obsluze



Právní informace


©2022 Hangzhou Microimage Software Co., Ltd. Všechna práva vyhrazena.

Informace o tomto návodu

V návodu jsou obsaženy pokyny k používání a obsluze výrobku. Obrázky, schémata, snímky a veškeré ostatní zde uvedené informace slouží pouze jako popis a vysvětlení. Informace obsažené v tomto návodu podléhají vzhledem k aktualizacím firmwaru nebo z jiných důvodů změnám bez upozornění. Nejnovější verzi tohoto návodu naleznete na webových stránkách společnosti HIKMICRO (www.hikmicrotech.com/).

Tento návod používejte s vedením a pomocí odborníků vyškolených v oblasti podpory výrobku.

Prohlášení o ochranných známkách

 **HIKMICRO** a ostatní ochranné známky společnosti HIKMICRO jsou vlastnictvím společnosti HIKMICRO v různých jurisdikcích.

Ostatní ochranné známky a loga uvedené v této příručce jsou majetkem příslušných vlastníků.

PROHLÁŠENÍ O VYLOUČENÍ ODPOVĚDNOSTI

TATO PŘÍRUČKA A POPISOVANÉ PRODUKTY VČETNĚ PŘÍSLUŠNÉHO HARDWARU, SOFTWARE A FIRMWARE JSOU V MAXIMÁLNÍM ROZSAHU PŘÍPUSTNÉM PODLE ZÁKONA POSKYTOVÁNY, „JAK STOJÍ A LEŽÍ“, A „SE VŠEMI VADAMI A CHYBAMI“. SPOLEČNOST HIKMICRO NEPOSKYTUJE ŽÁDNÉ VÝSLOVNÉ ANI PŘEDPOKLÁDANÉ ZÁRUKY ZARNUJÍCÍ MIMO JINÉ PRODEJNOST, USPOKOJIVOU KVALITU NEBO VHODNOST KE KONKRÉTNÍM ÚČELŮM. POUŽÍVÁNÍ TOHOTO PRODUKTU JE NA VAŠE VLASTNÍ RIZIKO. SPOLEČNOST HIKMICRO V ŽÁDNÉM PŘÍPADĚ NENESE ODPOVĚDNOST ZA JAKÉKOLI ZVLÁŠTNÍ, NÁSLEDNÉ, NÁHODNÉ NEBO NEPŘÍMÉ ŠKODY ZAHRNÚJÍCÍ MIMO JINÉ ŠKODY ZE ZTRÁTY OBCHODNÍHO ZISKU, PŘERUŠENÍ OBCHODNÍ ČINNOSTI NEBO ZTRÁTY DAT, POŠKOZENÍ SYSTÉMŮ NEBO ZTRÁTY DOKUMENTACE V SOUVISLOSTI S POUŽÍVÁNÍM TOHOTO VÝROBKU BEZ OHLEDU NA TO, ZDA TAKOVÉ ŠKODY VZNIKLY Z DŮVODU PORUŠENÍ SMLOUVY, OBČANSKOPRÁVNÍHO PŘEČINU (VČETNĚ NEDBALOSTI) ČI ODPOVĚDNOSTI ZA PRODUKT, A TO ANI V PŘÍPADĚ, ŽE SPOLEČNOST HIKMICRO BYLA NA MOŽNOST TAKOVÝCHTO ŠKOD NEBO ZTRÁTY UPOZORNĚNA.

BERETE NA VĚDOMÍ, ŽE INTERNET SVOU PODSTATOU PŘEDSTAVUJE SKRYTÁ BEZPEČNOSTNÍ RIZIKA A SPOLEČNOST HIKMICRO PROTO NEPŘEBÍRÁ ŽÁDNOU ODPOVĚDNOST ZA NESTANDARDNÍ PROVOZNÍ CHOVÁNÍ, ÚNIK OSOBNÍCH ÚDAJŮ NEBO JINÉ ŠKODY VYPLÝVAJÍCÍ Z KYBERNETICKÉHO ČI HACKERSKÉHO ÚTOKU, NAPADENÍ VIREM NEBO ŠKODY ZPŮSOBENÉ JINÝMI INTERNETOVÝMI BEZPEČNOSTNÍMI RIZIKY; SPOLEČNOST HIKMICRO VŠAK V PŘÍPADĚ POTŘEBY POSKYTNE VČASNOU TECHNICKOU PODPORU.

SOUHLASÍTE S TÍM, ŽE TENTO PRODUKT BUDE POUŽÍVÁN V SOULADU SE VŠEMI PLATNÝMI ZÁKONY A VÝHRADNĚ ODPOVÍDÁTE ZA ZAJIŠTĚNÍ, ŽE VAŠE UŽÍVÁNÍ BUDE V SOULADU S PLATNOU LEGISLATIVOU. ODPOVÍDÁTE ZEJMÉNA ZA POUŽÍVÁNÍ PRODUKTU ZPŮSOBEM, KTERÝ NEPORUŠUJE PRÁVA TŘETÍCH STRAN, COŽ ZAHRNÚJE MIMO JINÉ PRÁVO NA OCHRANU OSOBNOSTI, PRÁVO DUŠEVNÍHO VLASTNICTVÍ NEBO PRÁVO NA OCHRANU OSOBNÍCH ÚDAJŮ A DALŠÍ PRÁVA NA OCHRANU SOUKROMÍ. TENTO PRODUKT NESMÍTE POUŽÍVAT K NEZÁKONNÉMU LOVU ZVÍŘAT, NARUŠENÍ SOUKROMÍ ANI K ŽÁDNÉMU JINÉMU ÚČELU, KTERÝ JE NEZÁKONNÝ NEBO POŠKOZUJE VEŘEJNÝ ZÁJEM. TENTO PRODUKT NESMÍTE POUŽÍVAT K JAKÝMKOLI NEDOVOLENÝM KONCOVÝM ÚČELŮM VČETNĚ VÝVOJE ČI VÝROBY ZBRANÍ HROMADNÉHO NIČENÍ, VÝVOJE NEBO VÝROBY CHEMICKÝCH ČI BIOLOGICKÝCH ZBRANÍ NEBO JAKÝCHKOLI ČINNOSTÍ SOUVISEJÍCÍCH S JADERNÝMI VÝBUŠNINAMI NEBO NEBEZPEČNÝM JADERNÝM PALIVOVÝM CYKLEM ČI K PODPOŘE PORUŠOVÁNÍ LIDSKÝCH PRÁV. V PŘÍPADĚ JAKÉHOKOLI ROZPORU MEZI TÍMTO NÁVODEM A PŘÍSLUŠNÝMI ZÁKONY PLATÍ DRUHÉ ZMÍNĚNÉ.

Zákonné informace

Tyto části se vztahují pouze k výrobkům nesoucím odpovídající označení nebo informaci.

EU prohlášení o shodě



Tento výrobek, a případně i dodané příslušenství, jsou označeny štítkem „CE“, což znamená, že vyhovují příslušným harmonizovaným evropským normám uvedeným ve směrnici 2014/53/EU (RED), směrnici 2014/30/EU (EMCD), směrnici 2014/35/EU (LVD) a směrnici 2011/65/EU (RoHS).



Směrnice 2012/19/EU (směrnice WEEE): Výrobky označené tímto symbolem nelze v Evropské unii likvidovat společně s netříděným domovním odpadem. Při zakoupení nového ekvivalentního výrobku tento výrobek řádně zrecyklujte vrácením svému místnímu dodavateli, nebo jej zlikvidujte odevzdáním v určených sběrných místech. Další informace naleznete na adrese: www.recyclethis.info.



Směrnice 2006/66/ES a její úprava 2013/56/EU (směrnice o bateriích): Tento výrobek obsahuje baterii, kterou nelze v Evropské unii likvidovat společně s netříděným domovním odpadem. Konkrétní informace o baterii naleznete v dokumentaci výrobku. Baterie je označena tímto symbolem, který může obsahovat písmena značící kadmium (Cd), olovo (Pb) nebo rtuť (Hg). Za účelem řádné recyklace baterii odevzdejte svému dodavateli nebo na určené sběrné místo. Další informace naleznete na adrese: www.recyclethis.info.

Bezpečnostní pokyny

Účelem těchto pokynů je zajistit, aby uživatel mohl výrobek správně používat a zabránit se

nebezpečí nebo újmě na majetku.

Zákony a předpisy

- Používání výrobku musí být přísně v souladu s místními bezpečnostními předpisy pro elektrická zařízení.

Přeprava

- Při přepravě uchovávejte zařízení v původním nebo jemu podobném balení.
- Po vybalení uchovejte veškeré obaly pro budoucí použití. V případě jakékoli poruchy je třeba vrátit zařízení výrobcí v původním obalu. Přeprava bez původního obalu může vést k poškození zařízení, za které společnost neponese odpovědnost.
- Produkt nevystavujte fyzickým nárazům a zabraňte jeho spadnutí. Udržujte zařízení mimo dosah magnetického rušení.

Napájení

- Vstupní napětí musí dle normy IEC62368-1 splňovat požadavky na omezený zdroj napájení (5 V stejnosm., 2 A). Podrobné informace naleznete v technických údajích.
- Zkontrolujte, zda je zástrčka řádně zapojena do napájecí zásuvky.
- K jednomu napájecímu adaptéru NEPŘIPOJUJTE více zařízení, abyste zabránili přehřátí nebo nebezpečí požáru v důsledku přetížení.
- Používejte napájecí adaptér dodaný kvalifikovaným výrobcem. Podrobné požadavky na napájení naleznete ve specifikaci výrobku.

Baterie

- Vestavěnou baterii nelze rozebírat. Je-li třeba ji opravit, obraťte se na výrobce.
- Při dlouhodobém skladování baterii každého půl roku plně nabijte, abyste zajistili zachování její kvality. V opačném případě může dojít k jejímu poškození.
- Používejte baterii dodanou kvalifikovaným výrobcem. Podrobné požadavky na baterii naleznete ve specifikaci výrobku.
- UPOZORNĚNÍ: Při výměně baterie za nesprávný typ hrozí nebezpečí výbuchu.
- Vyměníte-li baterii za nesprávný typ, může dojít k poškození bezpečnostního prvku (například v případě některých typů lithiových baterií).
- Baterii nevhazujte do ohně, nekládejte do horké trouby, mechanicky ji nedrťte ani neřezejte. Mohlo by dojít k výbuchu.
- Neponechávejte baterii v prostředí s extrémně vysokou teplotou, protože by mohlo dojít k výbuchu nebo úniku hořlavé kapaliny nebo plynu.
- Nevystavujte baterii extrémně nízkému tlaku vzduchu, protože by mohlo dojít k výbuchu nebo úniku hořlavé kapaliny nebo plynu.
- Použité baterie zlikvidujte podle pokynů.

Údržba

- V případě, že výrobek nefunguje správně, obraťte se na prodejce nebo na nejbližší servisní středisko. Nepřebíráme žádnou odpovědnost za problémy způsobené neoprávněnou opravou nebo údržbou.
- V případě potřeby zařízení jemně otřete čistým hadříkem navlhčeným malým množstvím etanolu.
- V případě použití zařízení způsobem jiným než určeným výrobcem může dojít ke zrušení platnosti záruky.

Provozní prostředí

- Zajistěte, aby provozní prostředí vyhovovalo požadavkům zařízení. Provozní teplota musí být $-20\text{ }^{\circ}\text{C}$ až $55\text{ }^{\circ}\text{C}$ a provozní vlhkost musí být max. 95 %.

- NEVYSTAVUJTE zařízení silnému elektromagnetickému záření ani prašnému prostředí.
- NEMIŘTE objektivem do slunce ani do jiného zdroje jasného světla.

Stav nouze

- Pokud ze zařízení vychází kouř, zápach nebo hluk, zařízení okamžitě vypněte, odpojte napájecí kabel a obraťte se na servisní středisko.

Adresa výrobce

Místnost 313, jednotka B, budova 2, ulice Danfeng 399, podobvod Xixing, obvod Binjiang, Hangzhou, Zhejiang 310052, Čína
Hangzhou Microimage Software Co., Ltd.

POZNÁMKA O DODRŽOVÁNÍ PŘEDPISŮ: Na výrobky termální řady se mohou vztahovat vývozní opatření v různých zemích nebo regionech včetně, mimo jiné, Spojených států, Evropské unie, Spojeného království a dalších členských států Wassenaarského ujednání. Máte-li v úmyslu přenášet, exportovat nebo opětovně exportovat výrobky termální řady mezi různými zeměmi, obraťte se na profesionálního právníka, odborníka v oblasti dodržování předpisů nebo místní úřady, aby vám sdělili všechny nezbytné licenční požadavky pro export.

Slovenčina

1 Stručný popis

Vrecková tepelná monokulárna kamera je vreckové zariadenie s funkciami pozorovania, sledovania cieľa s najvyššou teplotou, merania vzdialenosti, prístupového bodu Wi-Fi atď. Zabudovaný tepelný detektor s vysokou citlivosťou poskytuje jasný výhľad aj v úplnej tme. Toto zariadenie sa používa najmä v exteriéri pri podobných aktivitách ako lov, pátranie a záchrana, turistika a cestovanie.

Zariadenie môže snímať snímky, zaznamenávať videá a nastavovať parametre pomocou aplikácie HIKMICRO Sight po pripojení k telefónu prostredníctvom prístupového bodu.

Vyhľadajte si aplikáciu HIKMICRO Sight v obchode App Store (systém iOS) alebo Google Play™ (systém Android) a stiahnite si ju alebo naskenovaním QR kódu si aplikáciu stiahnite a nainštalujte.



Systém Android



Systém iOS

Frekvenčné pásma a režimy a nominálne limity prenášanej energie (vyžarovanej alebo vedenej), ktoré sa vzťahujú na toto vysielacie

zariadenie, sú nasledujúce:

Wi-Fi 2,4 GHz (2,4 GHz až 2,4835 GHz)	20 dBm
---------------------------------------	--------

2 Vzhľad



Tlačidlo

Ikona	Tlačidlo	Funkcia
	Napájanie	Stlačenie: pohotovostný režim/prebudenie zariadenia Podržanie: zapnutie/vypnutie
	Režim	Stlačenie: farebné palety Podržanie: ponuka
	Snímanie	Stlačenie: snímanie Podržanie: zaznamenanie
	Priblíženie	Stlačenie: digitálne priblíženie Podržanie: Korekcia na plochom poli

Rozhranie

- Kryt objektívu: chráni objektív pred prachom alebo poškriabaním.
- Gombík na nastavenie dioptrií: upravuje zobrazenie podľa stupňa krátkozrakosti.
- Káblové rozhranie: slúži na nabíjanie zariadenia alebo export súborov pomocou dodaného kábla USB.
- Skrutka statívu: pripojenie na statív.

3 Nabíjanie zariadenia

Po spustení zariadenia sa na obrazovke (OSD) zobrazí stav batérie. Ak je batéria slabá, zariadenie nabíte, čím zabezpečíte jeho správnu činnosť.

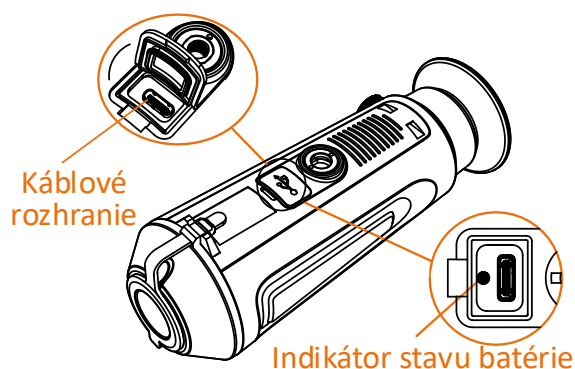
Skôr, ako začnete

- Teplota nabíjania by mala byť od 0 °C do 45 °C (32 °F až 113 °F).
- Zariadenie nabíjajte pomocou dodaného kábla USB.

Kroky

1. Nadvihnite kryt USB.
2. Pripojte kábel USB a môžete nabíjať zariadenie.

- Bliká červená a zelená: vyskytla sa chyba.
- Svieti červená: batéria sa nabíja.
- Svieti zelená: batéria je úplne nabitá.
- Vypnuté: batéria nie je nabitá.



Návod na používanie



Právne informácie


©2022 Hangzhou Microimage Software Co., Ltd. Všetky práva vyhradené.

Informácie o tomto návode

Táto príručka obsahuje pokyny na používanie a správu produktu. Obrázky, grafy, nákresy a všetky ďalšie informácie, ktoré sú v ňom uvedené, slúžia len na opis a vysvetlenie. Informácie uvedené v návode sa môžu zmeniť bez predchádzajúceho upozornenia v dôsledku aktualizácií firmvéru alebo iných príčin. Najnovšiu verziu tejto príručky nájdete na webovej lokalite HIKMICRO (www.hikmicrotech.com/).

Používajte tento návod v súlade s pokynmi a radami odborníkov, ktorí sú vyškolení na obsluhu produktu.

Potvrdenia o ochranných známkach

 **HIKMICRO** a iné ochranné známky a logá spoločnosti HIKMICRO sú vlastníctvom spoločnosti HIKMICRO v rôznych jurisdikciách.

Iné ochranné známky a logá sú vlastníctvom príslušných majiteľov.

PRÁVNE VYHLÁSENIE O VYLÚČENÍ ZODPOVEDNOSTI

V MAXIMÁLNO M MOŽNOM ROZSAHU, KTORÝ POVOĽUJÚ PRÍSLUŠNÉ PRÁVNE PREDPISY, SA TÁTO PRÍRUČKA A OPÍSANÝ PRODUKT SPOLU S JEHO HARDVÉROM, SOFTVÉROM A FIRMVÉROM, DODÁVAJÚ V STAVE „AKO SÚ“ A „SO VŠETKÝMI PORUCHAMI A CHYBAMI“. SPOLOČNOSŤ HIKMICRO NEPOSKYTUJE ŽIADNE VÝSLOVNÉ ANI PREDPOKLADANÉ ZÁRUKY, OKREM INÉHO O PREDAJNOSTI, USPOKOJIVEJ KVALITE ALEBO VHODNOSTI NA KONKRÉTNY ÚČEL. POUŽÍVANIE PRODUKTU JE NA VAŠE VLASTNÉ RIZIKO. SPOLOČNOSŤ HIKMICRO V ŽIADNOM PRÍPADE NENESIE ZODPOVEDNOSŤ ZA ŽIADNE OSOBITNÉ, NÁSLEDNÉ, NÁHODNÉ ALEBO NEPRIAME ŠKODY, OKREM INÉHO VRÁTANE ŠKÔD Z UŠLÉHO PODNIKATEĽSKÉHO ZISKU, PRERUŠENIA PODNIKANIA, STRATY ÚDAJOV, POŠKODENIA SYSTÉMOV ALEBO STRATY DOKUMENTÁCIE, ČI UŽ NA ZÁKLADE PORUŠENIA ZMLUVY, PREČINU (VRÁTANE NEDBALOSTI), ZODPOVEDNOSTI ZA PRODUKT ALEBO INAK V SÚVISLOSTI S POUŽÍVANÍM PRODUKTU, A TO ANI V PRÍPADE, AK BOLA SPOLOČNOSŤ HIKMICRO UPOZORNENÁ NA MOŽNOSŤ TAKÝCHTO ŠKÔD.

UZNÁVATE, ŽE Z POVAHY INTERNETU VYPLÝVAJÚ INHERENTNÉ BEZPEČNOSTNÉ RIZIKÁ A SPOLOČNOSŤ HIKMICRO NENESIE ŽIADNU ZODPOVEDNOSŤ ZA NEŠTANDARDNÚ PREVÁDZKU, ÚNIK OSOBNÝCH ÚDAJOV ANI ZA INÉ ŠKODY V DÔSLEDKU KYBERNETICKÉHO ÚTOKU, HAKERSKÉHO ÚTOKU, VÍRUSOVEJ INFEKCIE ALEBO INÝCH BEZPEČNOSTNÝCH RIZÍK SIETE INTERNET; V PRÍPADE POTREBY VŠAK SPOLOČNOSŤ HIKMICRO POSKYTNE VČASNÚ TECHNICKÚ PODPORU. SÚHLASÍTE S POUŽÍVANÍM TOHTO PRODUKTU V SÚLADE SO VŠETKÝMI PRÍSLUŠNÝMI ZÁKONMI A NESIETE VÝHRADNÚ ZODPOVEDNOSŤ ZA ZABEZPEČENIE, ABY VAŠE POUŽÍVANIE BOLO V SÚLADE S PRÍSLUŠNÝMI ZÁKONMI. STE OBZVLÁŠŤ ZODPOVEDNÍ ZA POUŽÍVANIE TOHTO PRODUKTU SPÔSOBOM, KTORÝ NEPORUŠUJE PRÁVA TRETÍCH STRÁN, OKREM INÉHO PRÁVA PUBLICITY, PRÁVA DUŠEVNÉHO VLASTNÍCTVA, PRÁVA NA OCHRANU ÚDAJOV A INÉ PRÁVA NA OCHRANU SÚKROMIA. TENTO PRODUKT NESMIETE POUŽÍVAŤ NA NEZÁKONNÝ LOV ZVIERAT, NARUŠOVANIE SÚKROMIA INÝCH, ANI NA ŽIADNY INÝ ÚČEL, KTORÝ JE NEZÁKONNÝ ALEBO POŠKODZUJE VEREJNÝ ZÁUJEM. TENTO PRODUKT NESMIETE POUŽÍVAŤ NA ŽIADNE ZAKÁZANÉ ÚČELY VRÁTANE VÝVOJA ALEBO VÝROBY ZBRANÍ HROMADNÉHO NIČENIA, VÝVOJA ALEBO VÝROBY CHEMICKÝCH ALEBO BIOLOGICKÝCH ZBRANÍ, AKÝCHKOĽVEK AKTIVÍT V SÚVISLOSTI S AKOUKOĽVEK JADROVOU VÝBUŠNINOU ALEBO NEBEZPEČNÝM CYKLOM JADROVÉHO PALIVA, ALEBO NA PODPORU ZNEUŽÍVANIA ĽUDSKÝCH PRÁV.

V PRÍPADE AKÉHOKOĽVEK NESÚLADU MEDZI TOUTO PRÍRUČKOU A PRÍSLUŠNÝMI PRÁVNÝMI PREDPISMI MAJÚ PREDNOSŤ PRÍSLUŠNÉ PRÁVNE PREDPISY.

Regulačné informácie

Tieto ustanovenia platia len pre produkty s príslušným označením alebo údajom.

Vyhlásenie o súlade s predpismi EÚ



Tento produkt a dodané príslušenstvo, ak je to relevantné, sú takisto označené značkou „CE“, takže sú v súlade s príslušnými harmonizovanými európskymi normami uvedenými v smernici 2014/53/EÚ (RED), smernici 2014/30/EÚ (EMCD), smernici 2014/35/EÚ (LVD) smernici 2011/65/EÚ (RoHS).



Smernica 2012/19/EÚ (smernica o odpade z elektrických a elektronických zariadení): Produkty označené týmto symbolom sa v rámci Európskej únie nesmú likvidovať spolu s netriedeným komunálnym odpadom. Po zakúpení ekvivalentného nového zariadenia zrecyklujte produkt tým, že ho odovzdáte miestnemu dodávateľovi alebo ho zlikvidujete na určených zberných miestach. Ďalšie informácie nájdete na: www.recyclethis.info.



Smernica 2006/66/EC a príslušné doplnenia 2013/56/EÚ (smernica o batériách): Tento produkt obsahuje batériu, ktorá sa v rámci Európskej únie nesmie likvidovať spolu s netriedeným komunálnym odpadom. Konkrétne informácie o batérii nájdete v dokumentácii produktu. Batéria je označená týmto symbolom, ktorý môže obsahovať písmená označujúce obsah kadmia (Cd), olova (Pb) alebo ortuti (Hg). Zrecyklujte batériu tým, že ju odovzdáte dodávateľovi alebo ju zlikvidujete na určenom zbernom mieste. Ďalšie informácie nájdete na: www.recyclethis.info.

Bezpečnostné pokyny

Tieto pokyny slúžia na zabezpečenie správneho používania produktu používateľom s cieľom predchádzať vzniku nebezpečenstva alebo majetkovým stratám.

Právne predpisy a nariadenia

- Používanie produktu musí byť v prísnom súlade s miestnymi elektroinštaláčnymi bezpečnostnými predpismi.

Preprava

- Pri preprave ponechajte zariadenie v pôvodnom alebo podobnom balení.
- Po rozbalení si všetky obaly odložte na budúce použitie. V prípade výskytu poruchy bude potrebné, aby ste zariadenie vrátili do výrobcovi v pôvodnom obale. Pri preprave bez pôvodného obalu môže dôjsť k poškodeniu zariadenia a spoločnosť za to nebude niesť žiadnu zodpovednosť.
- Chráňte zariadenie pred pádom alebo nárazom. Zariadenie chráňte pred magnetickým rušením.

Zdroj napájania

- Vstupné napätie musí spĺňať podmienky veľmi nízkeho napätia (5 V DC, 2 A) podľa normy IEC62368-1. Podrobné informácie nájdete v technických špecifikáciách.
- Skontrolujte, či je zástrčka správne pripojená k napájacej zásuvke.
- K jednému napájacímu adaptéru NEPRIPÁJAJTE viacero zariadení, aby nedošlo k prehriatiu alebo riziku požiaru v dôsledku preťaženia.
- Používajte napájací adaptér dodaný oprávneným výrobcom. Podrobné požiadavky na napájanie nájdete v technických údajoch produktu.

Batéria

- Zabudovanú batériu nemožno rozoberať. V prípade potreby opravy sa obráťte na výrobcu.
- Pri dlhodobom uskladnení batériu každý polrok úplne nabite, čím zaistíte jej kvalitu. V opačnom prípade môže dôjsť k poškodeniu.
- Používajte batériu dodanú kvalifikovaným výrobcom. Podrobné požiadavky na batériu nájdete v špecifikácii výrobku.
- VÝSTRAHA: Riziko výbuchu v prípade výmeny batérie za nesprávny typ.

- Pri nevhodnej výmene batérie za nesprávny typ sa môže deaktivovať bezpečnostný prvok (napríklad pri niektorých typoch lítiových batérií).
- Batériu nekladajte do ohňa alebo horúcej rúry ani ju mechanicky nedrvte ani nerežte, pretože by to mohlo spôsobiť výbuch.
- Batériu nenechávajte v prostredí s mimoriadne vysokou teplotou, čo môže viesť k výbuchu alebo úniku horľavých kvapalín alebo plynov.
- Batériu nevystavujte mimoriadne nízkemu tlaku vzduchu, čo môže viesť k výbuchu alebo úniku horľavých kvapalín alebo plynov.
- Použité batérie zlikvidujte podľa príslušných pokynov.

Údržba

- Ak produkt nepracuje správne, obráťte sa na predajcu alebo na najbližšie servisné stredisko. Nepreberáme žiadnu zodpovednosť za problémy spôsobené neoprávnenou opravou alebo údržbou.
- V prípade potreby zariadenie jemne utrite čistou handričkou a malým množstvom etanolu.
- Ak sa zariadenie používa spôsobom, ktorý výrobca neuvádza, môže dôjsť k zníženiu ochrany poskytovanej zariadením.

Prevádzkové prostredie

- Zabezpečte, aby prevádzkové prostredie spĺňalo požiadavky zariadenia. Prevádzková teplota musí byť -20 °C až 55 °C (-4 °F až 131 °F) a prevádzková vlhkosť nesmie byť vyššia ako 95 %.
- Zariadenie NEVYSTAVUJTE silnému elektromagnetickému žiareniu ani prašnému prostrediu.
- Šošovkou NEMIERTE na slnko ani na žiadny iný silný zdroj svetla.

Núdzový režim

- Ak zo zariadenia vychádza dym, zápach alebo hluk, ihneď vypnite napájanie, odpojte napájací kábel a obráťte sa na servisné stredisko.

Adresa výrobcu

Miestnosť 313, Krídlo B, Budova 2, Ulica Danfeng 399, Obvod Xixing, Okres Binjiang, Hangzhou, Zhejiang 310052, Čína
Hangzhou Microimage Software Co., Ltd.

POZNÁMKA O SÚLADE S PREDPISMI: Produkty z radu teplocitlivých prístrojov môžu podliehať exportnej regulácii v rôznych krajinách alebo regiónoch vrátane napríklad Spojených štátov amerických, Európskej únie, Spojeného kráľovstva prípadne aj krajín Wassenaarskeho usporiadania. Ak máte v úmysle prenášať, exportovať alebo re-exportovať produkty z radu teplocitlivých prístrojov cez hranice medzi rôznymi krajinami, poraďte sa so svojim odborným expertom na legislatívu alebo súlad s predpismi alebo miestnymi úradmi verejnej správy, či existuje povinnosť mať exportné povolenie.

Polski

1 Opis urządzenia

Ręczna jednookularowa kamera termowizyjna umożliwia między innymi obserwację, śledzenie celów o najwyższej temperaturze lub pomiar odległości oraz może pełnić funkcję punktu dostępu Wi-Fi. Wbudowany detektor termiczny o dużej czułości zapewnia wyraźny widok nawet przy

braku oświetlenia w otoczeniu. Urządzenie jest zazwyczaj używane poza budynkami, na przykład podczas polowania, akcji poszukiwawczych, turystyki pieszej lub podróżowania.

Urządzenie umożliwia wykonywanie zdjęć, nagrywanie wideo i konfigurowanie ustawień przy użyciu aplikacji HIKMICRO Sight po połączeniu z telefonem przy użyciu punktu dostępu.

Aby pobrać i zainstalować tę aplikację, wyszukaj „HIKMICRO Sight” w witrynie internetowej App Store (system iOS) lub Google Play™ (system Android) albo zeskanuj kod QR.



System Android

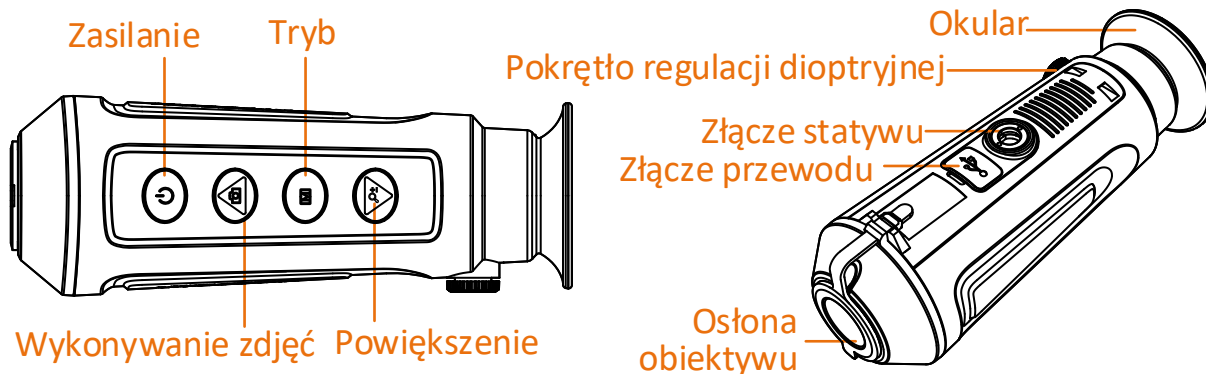


System iOS

Pasma i tryby częstotliwości oraz dopuszczalne wartości graniczne znamionowej mocy promieniowanej (transmisja i/lub przewodzenie) tego urządzenia radiowego są następujące:



Wi-Fi 2,4 GHz (2,400 – 2,4835 GHz)	20 dBm
------------------------------------	--------

2 Elementy urządzenia



Przycisk

Ikona	Przycisk	Funkcja
	Zasilanie	Naciśnięcie: tryb gotowości / uaktywnianie urządzenia Naciśnięcie i przytrzymanie: włączanie/wyłączenie zasilania
	Tryb	Naciśnięcie: palety

Ikona	Przycisk	Funkcja
		Naciśnięcie i przytrzymanie: menu
	Wykonywanie zdjęć	Naciśnięcie: wykonywanie zdjęć Naciśnięcie i przytrzymanie: nagrywanie
	Powiększenie	Naciśnięcie: powiększenie cyfrowe Naciśnięcie i przytrzymanie: korekcja płaskiego pola (FFC)

Interfejs

- Osłona obiektywu: chroni obiektyw przed kurzem, pyłem lub zarysowaniem.
- Pokrętko regulacji dioptryjnej: dostosowanie widoku zależnie od krótkowzroczności użytkownika.
- Złącze przewodu: umożliwia ładowanie baterii urządzenia lub eksportowanie plików przy użyciu dostarczonego przewodu USB.
- Złącze statywu: umożliwia podłączenie statywu.

3 Ładowanie baterii urządzenia

Po uruchomieniu urządzenia w nakładce ekranowej (OSD) wyświetlane są informacje o stanie baterii. Gdy poziom naładowania baterii jest niski, należy naładować baterię, aby umożliwić prawidłowe funkcjonowanie urządzenia.

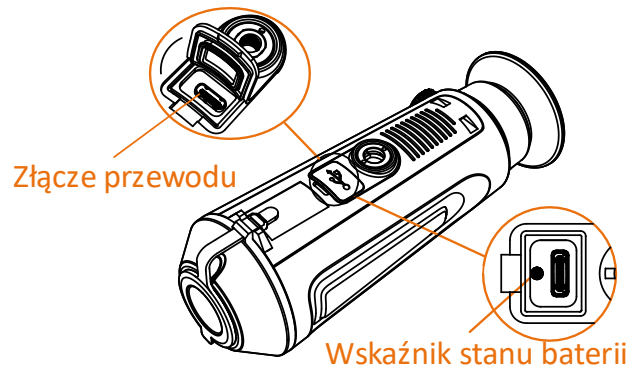
Zanim rozpoczniesz

- Temperatura podczas ładowania powinna należeć do zakresu od 0 C do 45°C.
- Naładuj baterię urządzenia przy użyciu przewodu USB dostarczonego razem z urządzeniem.

Procedura

1. Podnieś pokrywę złącza USB.
2. Podłącz przewód USB i naładuj baterię urządzenia.

- Miga (czerwony i zielony): wystąpił błąd.
- Włączony (czerwony): bateria jest prawidłowo ładowana.
- Włączony (zielony): bateria jest całkowicie naładowana.
- WYŁ.: bateria nie jest ładowana.



Podręcznik użytkownika



Informacje prawne

©2022 Hangzhou Microimage Software Co., Ltd. Wszelkie prawa zastrzeżone.


Opis podręcznika

Podręcznik zawiera instrukcje dotyczące korzystania z produktu i obchodzenia się z nim.

Zdjęcia, rysunki, wykresy i pozostałe informacje zamieszczono w tym dokumencie wyłącznie dla celów informacyjnych i opisowych. Informacje zamieszczone w podręczniku mogą ulec zmianie bez powiadomienia w związku z aktualizacjami oprogramowania układowego lub w innych okolicznościach. Najnowsza wersja tego podręcznika jest dostępna w witrynie internetowej firmy HIKMICRO (www.hikmicrotech.com).

Oprócz tego podręcznika należy korzystać z porad specjalistów z działu pomocy technicznej związanej z produktem.

Znaki towarowe

 **HIKMICRO** i inne znaki towarowe oraz logo HIKMICRO są własnością firmy HIKMICRO

w różnych jurysdykcjach.

Inne znaki towarowe i logo użyte w podręczniku należą do odpowiednich właścicieli.

ZASTRZEŻENIA PRAWNE

W PEŁNYM ZAKRESIE DOZWOLONYM PRZEZ OBOWIĄZUJĄCE PRAWO TEN PODRĘCZNIK, OPISANY PRODUKT I ZWIĄZANE Z NIM WYPOSAŻENIE ORAZ OPROGRAMOWANIE APLIKACYJNE I UKŁADOWE SĄ UDOSTĘPNIANE BEZ GWARANCJI. FIRMA HIKMICRO NIE UDZIELA ŻADNYCH WYRAŹNYCH ANI DOROZUMIANYCH GWARANCJI, TAKICH JAK GWARANCJE DOTYCZĄCE PRZYDATNOŚCI HANDLOWEJ, JAKOŚCI LUB PRZYDATNOŚCI DO OKREŚLONEGO CELU.

UŻYTKOWNIK KORZYSTA Z PRODUKTU NA WŁASNE RYZYKO. NIEZALEŻNIE OD OKOLICZNOŚCI FIRMA HIKMICRO NIE PONOSI ODPOWIEDZIALNOŚCI ZA STRATY SPECJALNE, NASTĘPCZE, UBOCZNE LUB POŚREDNIE, TAKIE JAK STRATA OCZEKIWANYCH ZYSKÓW Z DZIAŁALNOŚCI BIZNESOWEJ, PRZERWY W DZIAŁALNOŚCI BIZNESOWEJ, USZKODZENIE SYSTEMÓW ALBO STRATA DANYCH LUB DOKUMENTACJI, WYNIKAJĄCE Z NARUSZENIA UMOWY, PRZEWINIENIA (ŁĄCZNIE Z ZANIEDBANIEM), ODPOWIEDZIALNOŚCI ZA PRODUKT LUB INNYCH OKOLICZNOŚCI, ZWIĄZANE

Z UŻYCIEM TEGO PRODUKTU, NAWET JEŻELI FIRMA HIKMICRO ZOSTAŁA POINFORMOWANA O MOŻLIWOŚCI WYSTĄPIENIA TAKICH SZKÓD LUB STRAT.

UŻYTKOWNIK PRZYJMUJE DO WIADOMOŚCI, ŻE KORZYSTANIE Z INTERNETU JEST ZWIĄZANE Z ZAGROŻENIAMI DLA BEZPIECZEŃSTWA, A FIRMA HIKMICRO NIE PONOSI ODPOWIEDZIALNOŚCI ZA NIEPRAWIDŁOWE FUNKCJONOWANIE, WYCIEK POUFNYCH INFORMACJI LUB INNE SZKODY WYNIKAJĄCE Z ATAKU CYBERNETYCZNEGO, ATAKU HAKERA, DZIAŁANIA WIRUSÓW LUB INNYCH ZAGROŻEŃ DLA BEZPIECZEŃSTWA W INTERNECIE. FIRMA HIKMICRO ZAPEWNI JEDNAK TERMINOWĄ POMOC TECHNICZNĄ, JEŻELI BĘDZIE TO WYMAGANE.

UŻYTKOWNIK ZOBOWIĄDUJE SIĘ DO KORZYSTANIA Z PRODUKTU ZGODNIE Z PRZEPISAMI I PRZYJMUJE DO WIADOMOŚCI, ŻE JEST ZOBOWIĄZANY DO ZAPEWNIENIA ZGODNOŚCI UŻYCIA PRODUKTU Z PRZEPISAMI. W SZCZEGÓLNOŚCI UŻYTKOWNIK JEST ZOBOWIĄZANY DO KORZYSTANIA Z PRODUKTU W SPOSÓB, KTÓRY NIE NARUSZA PRAW STRON TRZECICH, DOTYCZĄCYCH NA PRZYKŁAD WIZERUNKU KOMERCYJNEGO, WŁASNOŚCI INTELEKTUALNEJ LUB OCHRONY DANYCH I PRYWATNOŚCI. ZABRONIONE JEST UŻYCIEM TEGO PRODUKTU DO NIELEGALNEGO POŁOWANIA NA ZWIERZĘTA, W SPOSÓB NARUSZAJĄCY PRYWATNOŚĆ OSÓB ALBO DO INNYCH CELÓW UZNAWANYCH ZA NIELEGALNE LUB SZKODLIWE DLA LUDZI. UŻYTKOWNIK NIE BĘDZIE UŻYWAĆ PRODUKTU DO CELÓW ZABRONIONYCH, TAKICH JAK OPRACOWANIE LUB PRODUKCJA BRONI MASOWEGO RAŻENIA ALBO BRONI CHEMICZNEJ LUB BIOLOGICZNEJ ORAZ DZIAŁANIA ZWIĄZANE Z WYBUCHOWYMI MATERIAŁAMI NUKLEARNYMI, NIEBEZPIECZNYM CYKLEM PALIWOWYM LUB ŁAMANIEM PRAW CZŁOWIEKA. W PRZYPADKU NIEZGODNOŚCI NINIEJSZEGO PODRĘCZNIKA Z OBOWIĄZUJĄCYM PRAWEM, WYŻSZY PRIORYTET BĘDZIE MIAŁO OBOWIĄZUJĄCE PRAWO.

Informacje dotyczące przepisów

Te klauzule dotyczą tylko produktów z odpowiednimi oznaczeniami lub etykietami.

Deklaracja zgodności z dyrektywami Unii Europejskiej



Ten produkt i ewentualnie dostarczone razem z nim akcesoria oznaczono symbolem „CE” potwierdzającym zgodność z odpowiednimi ujednoczonymi normami europejskimi, uwzględnionymi w dyrektywie 2014/53/EU w sprawie udostępniania na rynku urządzeń radiowych (RED), dyrektywie 2014/30/EU dotyczącej kompatybilności elektromagnetycznej (EMCD), dyrektywie 2014/35/EU dotyczącej sprzętu elektrycznego przewidzianego do stosowania w określonych granicach napięcia (LVD) i dyrektywie 2011/65/EU w sprawie ograniczenia stosowania niektórych niebezpiecznych substancji w sprzęcie elektrycznym (RoHS).



Dyrektywa 2012/19/EU w sprawie zużytego sprzętu elektrycznego i elektronicznego (WEEE): Produktów oznaczonych tym symbolem nie wolno utylizować na obszarze Unii Europejskiej jako niesegregowane odpady komunalne. Aby zapewnić prawidłowy recykling tego produktu, należy zwrócić go do lokalnego dostawcy przy zakupie równoważnego nowego urządzenia lub utylizować go w wyznaczonym punkcie selektywnej zbiórki odpadów. Aby uzyskać więcej informacji, skorzystaj z witryny internetowej www.recyclethis.info.



Dyrektywa 2006/66/EC w sprawie baterii i akumulatorów i zmieniająca ją dyrektywa 2013/56/EU: Ten produkt zawiera baterię, której nie wolno utylizować na obszarze Unii Europejskiej jako niesegregowane odpady komunalne. Szczegółowe informacje dotyczące baterii zamieszczono w dokumentacji produktu. Bateria jest oznaczona tym symbolem, który może także zawierać litery wskazujące na zawartość kadmu (Cd), ołowiu (Pb) lub rtęci (Hg). Aby zapewnić prawidłowy recykling baterii, należy zwrócić ją do dostawcy lub przekazać do wyznaczonego punktu zbiórki. Aby uzyskać więcej informacji, skorzystaj z witryny internetowej: www.recyclethis.info.

Zalecenia dotyczące bezpieczeństwa

Te zalecenia pozwalają prawidłowo korzystać z produktu i zapobiec zagrożeniu użytkowników lub zniszczeniu wyposażenia.

Przepisy i rozporządzenia

- Produkt powinien być użytkowany zgodnie z lokalnymi rozporządzeniami dotyczącymi bezpiecznego korzystania z urządzeń elektrycznych.

Transport

- Podczas transportu urządzenie powinno być umieszczone w oryginalnym lub podobnym opakowaniu.
- Należy zachować opakowanie urządzenia. W przypadku wystąpienia usterki urządzenia należy zwrócić je do zakładu produkcyjnego w oryginalnym opakowaniu. Producent nie ponosi odpowiedzialności za uszkodzenie urządzenia na skutek transportu bez oryginalnego opakowania.
- Należy chronić urządzenie przed upadkiem lub udarami mechanicznymi. Należy chronić urządzenie przed zakłóceniami magnetycznymi.

Zasilanie

- Napięcie wejściowe powinno spełniać wymagania dotyczące źródeł zasilania z własnym ograniczeniem (LPS; 5 V DC, 2 A) zgodnie z normą IEC62368-1. Szczegółowe informacje zamieszczono w sekcji zawierającej dane techniczne.
- Należy upewnić się, że wtyczka jest prawidłowo podłączona do gniazda sieci elektrycznej.
- NIE wolno podłączać wielu urządzeń do jednego zasilacza, ponieważ może to spowodować przegrzanie lub zagrożenie pożarowe na skutek przeciążenia.
- Należy korzystać z zasilacza dostarczonego przez wykwalifikowanego producenta. Aby uzyskać więcej informacji dotyczących wymaganego zasilania, należy skorzystać ze specyfikacji produktu.

Bateria

- Wbudowana bateria nie jest przystosowana do demontażu przez użytkownika. Jeżeli konieczne jest wykonanie naprawy, należy skontaktować się z producentem.
- Jeżeli bateria jest przechowywana przez dłuższy czas, należy naładować ją całkowicie co pół roku, aby zapewnić jej prawidłowy stan techniczny. Ignorowanie tego zalecenia może spowodować uszkodzenie.
- Należy korzystać z baterii dostarczanych przez markowego producenta. Aby uzyskać więcej informacji dotyczących wymaganej baterii, należy skorzystać ze specyfikacji produktu.
- PRZESTROGA: Zainstalowanie nieodpowiedniej baterii może spowodować wybuch.
- Zainstalowanie nieodpowiedniej baterii może spowodować zagrożenie (dotyczy to na przykład niektórych baterii litowych).

- Wrzucenie baterii do ognia lub rozgrzanego pieca albo zgniecenie lub przecięcie baterii może spowodować wybuch.
- Wysoka temperatura w otoczeniu może spowodować wybuch baterii albo wyciek palnej cieczy lub gazu.
- Ekstremalnie niskie ciśnienie powietrza w otoczeniu może spowodować wybuch baterii albo wyciek palnej cieczy lub gazu.
- Zużyte baterie należy utylizować zgodnie z instrukcjami.

Konserwacja

- Jeżeli produkt nie działa prawidłowo, skontaktuj się z dystrybutorem lub najbliższym centrum serwisowym. Producent nie ponosi odpowiedzialności za problemy spowodowane przez nieautoryzowane prace naprawcze lub konserwacyjne.
- Należy przetrzeć urządzenie ostrożnie czystą ściereczką zwilżoną niewielką ilością etanolu, jeżeli jest to konieczne.
- Użycie urządzenia niezgodnie z zaleceniami może spowodować anulowanie gwarancji producenta.

Warunki otoczenia

- Należy upewnić się, że warunki otoczenia spełniają wymagania określone przez producenta urządzenia. Podczas użytkowania urządzenia temperatura otoczenia powinna wynosić od – 20°C do +55°C, a wilgotność nie powinna być większa niż 95%.
- Należy chronić urządzenie przed silnym promieniowaniem elektromagnetycznym oraz kurzem i pyłem.
- NIE wolno kierować obiektywu w stronę słońca ani innego źródła intensywnego światła.

Poważne awarie

- Jeżeli urządzenie wydziela dym lub intensywny zapach albo emituje hałas, należy niezwłocznie wyłączyć zasilanie i odłączyć przewód zasilający, a następnie skontaktować się z centrum serwisowym.

Adres producenta

Lokal 313, Jednostka B, Budynek 2, Ulica 399 Danfeng, Region dystryktu Xixing, Dystrykt Binjiang, Hangzhou, Zhejiang 310052, Chiny
Hangzhou Microimage Software Co., Ltd.

UWAGA DOTYCZĄCA ZGODNOŚCI Z PRZEPISAMI: Produkty termowizyjne mogą podlegać kontroli eksportu w różnych krajach lub regionach, takich jak Stany Zjednoczone, Wielka Brytania lub kraje członkowskie Unii Europejskiej, które sygnowały porozumienie Wassenaar. Jeżeli planowane jest przesyłanie, eksportowanie lub reeksportowanie produktów termowizyjnych przez granice państw, należy skonsultować się z ekspertem w dziedzinie prawa lub zgodności z przepisami albo lokalnymi urzędami administracji państwowej, aby uzyskać informacje dotyczące wymaganej licencji eksportowej.

Magyar

1 Rövid leírás

A monokuláris kézi hőkamera egy kézi eszköz, mely használató megfigyelésre, a legmagasabb hőmérsékletű céltárgy követésére, távolságmérésre, Wifi hotspotként stb. A nagy érzékenységű, beépített

hődetektor tiszta képet ad még teljes sötétségben is. A készülék elsősorban kültéri használatra alkalmas, például vadászatra, felderítésre és mentésre, túrázásra, utazásra.

A készülékkel képernyőképek készíthetők és videók rögzíthetők, továbbá ha hotspoton keresztül mobiltelefonhoz csatlakoztatja, a HIKMICRO Sight alkalmazásban a paramétereit is beállíthatók.

A letöltéshez keresse meg a HIKMICRO Sight alkalmazást az App Store-ban (iOS rendszer) vagy a Google Play™-en (Android rendszer), illetve olvassa be a QR-kódot a letöltéséhez és telepítéséhez.



Android rendszer

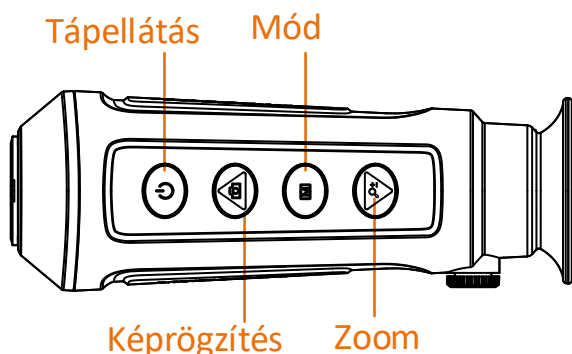


iOS rendszer

A jelen rádióberendezésre érvényes frekvenciasávok és módok, illetve a leadott teljesítmény (sugárzott és/vagy vezetett) névleges határértékei az alábbiak:



Wi-Fi 2,4 GHz (2,4 GHz - 2,4835 GHz)	20 dBm
--------------------------------------	--------

2 Külső megjelenés



Gomb

Ikon	Gomb	Funkció
	Tápellátás	Nyomja meg: készenléti mód/eszköz aktiválása Tartsa lenyomva: tápellátás be/ki
	Mód	Nyomja meg: színpaletták Tartsa lenyomva: menü

Ikon	Gomb	Funkció
	Képrögzés	Nyomja meg: képrögzés Tartsa lenyomva: rögzítés
	Zoom	Nyomja meg: digitális zoom Tartsa lenyomva: FFC

Csatlakozó

- Lencsevédő: védi az objektívet a portól és a karcolásoktól.
- Dioptriaállító gomb: beállítja a képet a rövidlátás mértékének megfelelően.
- Kábelcsatlakozó: a mellékelt USB-kábellel feltöltheti az eszközt, vagy exportálhatja a fájlokat.
- Állványcsavar: csatlakoztatás állványhoz.

3 Az eszköz töltése

A készülék indítása után az OSD (kijelzés a képernyőn) mutatja a telep töltöttségi állapotát. Ha a töltöttség alacsony, töltsse fel a készüléket, és biztosítsa annak megfelelő működését.

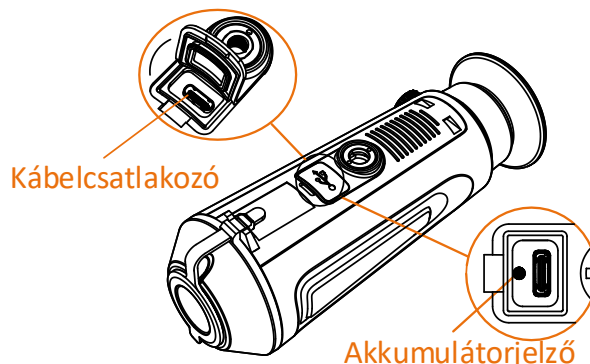
A kezdés előtt

- A töltési hőmérsékletnek 0°C és 45°C (32°F - 113°F) között kell lennie.
- Töltsse fel az eszközt a mellékelt USB-kábellel.

Lépések

1. Emelje fel az USB-borítást.
2. Dugja be az USB-kábelt és töltsse fel a készüléket.

- Villogó vörös és zöld: hiba történt.
- Folyamatos vörös: az akkumulátor megfelelően töltődik.
- Folyamatos zöld: az akkumulátor teljesen fel van töltve.
- Ki: az akkumulátor nem töltődik.



Felhasználói útmutató



Jogi információk

©2022 Hangzhou Microimage Software Co., Ltd. Minden jog fenntartva.

A Kézikönyvvel kapcsolatos tudnivalók

Az útmutató a termék használatára és kezelésére vonatkozó utasításokat tartalmaz. Az itt szereplő képek, diagramok, ábrák és minden további információ csupán leírásként és magyarázatként szolgál. A Kézikönyvben szereplő információk a firmware-frissítések és egyéb okok miatt előzetes értesítés nélkül változhatnak. A kézikönyv legújabb verzióját a HIKMICRO webhelyén találja (www.hikmicrotech.com/).

Az Útmutatót a termékkel kapcsolatos támogatáshoz megfelelő képesítéssel rendelkező szakemberek támogatásával és útmutatásával együtt használja.

Védjegnyilatkozat



HIKMICRO

és az egyéb HIKMICRO védjegyek, valamint logók a HIKMICRO tulajdonát

képezik különféle joghatóságokban.

Az említett egyéb védjegyek és logók a megfelelő tulajdonosok tulajdonát képezik.

JOGI NYILATKOZAT

EZT A KÉZIKÖNYVET, VALAMINT A BENNE SZEREPLŐ TERMÉKET ANNAK HARDVER-, SZOFTVER-ÖSSZETEVŐIVEL ÉS FIRMWARE-ÉVEL EGYÜTT „EREDETI FORMÁBAN” BIZTOSÍTJUK, „BELEÉRTVE AZOK ÖSSZES ESETLEGES HIBÁJÁT”. A HIKMICRO NEM VÁLLAL SEM KIFEJEZETT, SEM TÖRVÉNY ÁLTAL VÉLELMEZETT JÓTÁLLÁST TÖBBEK KÖZÖTT – DE NEM KORLÁTOZVA – A TERMÉK ÉRTÉKESÍTHETŐSÉGÉRE, MEGFELELŐ MINŐSÉGÉRE, VALAMINT ADOTT CÉLRA VALÓ ALKALMASSÁGÁRA. A TERMÉKET KIZÁRÓLAG SAJÁT FELELŐSSÉGÉRE HASZNÁLHATJA. A HIKMICRO SEMMILYEN ESETBEN SEM VÁLLAL FELELŐSÉGET ÖN FELÉ SEMMILYEN KÜLÖNLEGES, KÖVETKEZMÉNYES, JÁRULÉKOS VAGY KÖZVETETT KÁRÉRT, BELEÉRTVE TÖBBEK KÖZÖTT A TERMÉK HASZNÁLATÁVAL ÖSSZEFÜGGÉSBEN AZ ÜZLETI HASZON ELVESZTÉSÉBŐL, AZ ÜZLETMENET MEGSZAKADÁSÁBÓL, VALAMINT AZ ADATOK VAGY DOKUMENTUMOK ELVESZTÉSÉBŐL EREDŐ KÁROKAT, TÖRTÉNJEN EZ SZERZŐDÉSSZEGÉS VAGY KÁROKOZÁS (BELEÉRTVE A GONDATLANSÁGOT) EREDMÉNYEKÉNT, MÉG AKKOR SEM, HA A HIKMICRO VÁLLALATOT TÁJÉKOZTATTÁK AZ ILYEN KÁROK BEKÖVETKEZÉSÉNEK LEHETŐSÉGÉRŐL.

ÖN TUDOMÁSUL VESZI, HOGY AZ INTERNET TERMÉSZETÉBŐL FAKADÓAN KOCKÁZATOKAT REJT, ÉS A HIKMICRO SEMMILYEN FELELŐSÉGET NEM VÁLLAL A RENDELLENES MŰKÖDÉSÉRT, A SZEMÉLYES ADATOK KISZIVÁRGÁSÁÉRT VAGY MÁS OLYAN KÁROKÉRT, AMELYEKET KIBERTÁMADÁSOK, HACKERTÁMADÁSOK, VÍRUSFERTŐZÉSEK VAGY MÁS INTERNETES BIZTONSÁGI VESZÉLYEK OKOZTAK; A HIKMICRO AZONBAN KÉRÉSRE IDŐBEN MŰSZAKI TÁMOGATÁST NYÚJT. ÖN ELFOGADJA, HOGY EZT A TERMÉKET KIZÁRÓLAG A VONATKOZÓ TÖRVÉNYI ELŐÍRÁSOK BETARTÁSÁVAL HASZNÁLJA, ÉS HOGY A VONATKOZÓ TÖRVÉNYEKNEK MEGFELELŐ HASZNÁLAT KIZÁRÓLAG AZ ÖN FELELŐSÉGE. KÜLÖNÖSKÉPPEN AZ ÖN FELELŐSÉGE, HOGY A TERMÉK HASZNÁLATA SORÁN NE SÉRTSE HARMADIK FÉL JOGAIT, BELEÉRTVE, DE NEM KORLÁTOZVA A

NYILVÁNOSSÁGRA, SZELLEMI TULAJDONRA, ADATOK VÉDELME ÉS EGYÉB SZEMÉLYES ADATOKRA VONATKOZÓ JOGOKAT. TILOS A TERMÉKET ILLEGÁLIS VADÁSZATRA, MAGÁNÉLET MEGSÉRTÉSÉRE VAGY BÁRMILYEN MÁS, TÖRVÉNYTELEN VAGY A KÖZÉRDEKET SÉRTŐ CÉLRA HASZNÁLNI. A TERMÉKET NEM HASZNÁLHATJA TILTOTT CÉLRA, BELEÉRTVE A TÖMEGPUSZTÍTÓ FEGYVEREK FEJLESZTÉSÉT VAGY GYÁRTÁSÁT, A VEGYI VAGY BIOLÓGIAI FEGYVEREK FEJLESZTÉSÉT VAGY GYÁRTÁSÁT, VALAMINT BÁRMILYEN, ROBBANÁSVESZÉLYES VAGY NEM BIZTONSÁGOS NUKLEÁRIS HASADÓANYAG-CIKLUSSAL KAPCSOLATOS TEVÉKENYSÉGET, ILLETVE EMBERI JOGI VISSZAÉLÉSEKET TÁMOGATÓ MÓDON TÖRTÉNŐ FELHASZNÁLÁST.

HA A JELEN KÉZIKÖNYV ÉS A HATÁLYOS TÖRVÉNY KÖZÖTT ELLENTMONDÁS TAPASZTALHATÓ, AKKOR AZ UTÓBBI A MÉRVADÓ.

Szabályozással kapcsolatos információk

Ezek a cikkelyek kizárólag a megfelelő jelt vagy információt viselő termékekre vonatkoznak.

EU megfelelési nyilatkozat



Ez a termék és mellékelt tartozékai (ha vannak ilyenek) a „CE” jelzést viselik, és így megfelelnek a rádióberendezésekről szóló 2014/53/EU (RED), az elektromágneses összeférhetőségről szóló 2014/30/EU (EMCD), a kifeszültségű berendezésekről szóló 2014/35/EU (LVD) és a 2011/65/EU (RoHS) irányelvekben felsorolt vonatkozó harmonizált európai szabványoknak.



2012/19/EU irányelv (WEEE irányelv): Az ezzel a jelzéssel ellátott termékeket nem lehet szelektálatlan kommunális hulladékként elhelyezni az Európai Unióban. A megfelelő újrahasznosítás érdekében vigye vissza ezt a terméket helyi beszállítójához, amikor új, egyenértékű berendezést vásárol, vagy adja le a kijelölt gyűjtőhelyeken. További információért keresse fel az alábbi honlapot: www.recyclethis.info



2006/66/EK irányelv és annak 2013/56/EU kiegészítése (Akkumulátor-irányelv): Ez a termék olyan elemet tartalmaz, amelyet nem lehet szelektálatlan kommunális hulladékként elhelyezni az Európai Unióban. A termékdokumentációban további információkat talál az elemről. Az elem ezzel a jelzéssel van ellátva. A jelzésen megtalálhatók lehetnek a kadmiumot (Cd), ólmot (Pb) vagy higanyt (Hg) jelző betűjelek. A megfelelő újrahasznosítás érdekében vigye vissza ezt a terméket a beszállítójához, vagy vigye egy kijelölt gyűjtőhelyre. További információért keresse fel az alábbi honlapot: www.recyclethis.info.

Biztonsági utasítások

Ezen utasítások célja annak biztosítása, hogy a felhasználó a terméket megfelelően tudja használni veszély vagy vagyoni veszteség elkerülése érdekében.

Törvények és szabályok

- A termék használatkor szigorúan be kell tartani a helyi elektromos biztonsági előírásokat.

Szállítás

- Szállítás alkalmával tartsa a terméket az eredeti vagy ahhoz hasonló csomagolásban.

- Minden csomagolóanyagot őrizzen meg a későbbi felhasználás érdekében. Hiba esetén az eredeti csomagolásában kell a készüléket visszaküldenie a gyártónak. Az eredeti csomagolástól eltérő csomagolás a termék sérülését okozhatja. A vállalat ez esetben nem vállal semmilyen felelősséget.
- Ne ejtse le és ne tegye ki ütődésnek a készüléket. Tartsa távol a készüléket a mágneses zavarforrásoktól.

Tápellátás

- A bemeneti feszültségnek meg kell felelnie a korlátozott áramforrásokra vonatkozó előírásoknak (5 V DC, 2 A), az IEC62368-1 szabvány szerint. A részletes információkért olvassa el a műszaki adatokat.
- Ellenőrizze, hogy a tápcsatlakozó stabilan van-e csatlakoztatva a konnektorhoz.
- NE csatlakoztasson több készüléket egy hálózati adapterre, hogy elkerülje a túlterhelés okozta túlmelegedést vagy tűzveszélyt.
- Minősített gyártó hálózati adapterét használja. A részletes feszültség- és áramszükséglet a termék műszaki adataiban található.

Akkumulátor

- A beépített akkumulátor nem vehető ki. Kérjük, forduljon a gyártóhoz, ha javítás szükséges.
- Az akkumulátor hosszú távú tárolásakor az akkumulátor minőségének biztosítása érdekében ellenőrizze fél évente, hogy az teljesen fel van-e töltve. Ellenkező esetben rongálódás következhet be.
- Csak minősített gyártó által készített elemet használjon. Az akkumulátorral szembeni részletes követelmények a termék műszaki adataiban vannak feltüntetve.
- VIGYÁZAT: Az akkumulátor nem megfelelő típusúra cserélése robbanásveszélyt idézhet elő.
- Az akkumulátor nem megfelelő típussal történő helyettesítése hatástalanná tehet egy biztonsági berendezést (például bizonyos típusú lítiumion-akkumulátorok esetében).
- Tilos az akkumulátort tűzbe vagy forró sütőbe tenni, illetve az akkumulátort összezúzni vagy felvágni, mert ez robbanást okozhat.
- Tilos az akkumulátort rendkívül magas környezeti hőmérsékletnek kitenni, mert ez robbanást, illetve gyúlékony folyadék vagy gáz szivárgását idézheti elő.
- Tilos az akkumulátort rendkívül alacsony légnyomásnak kitenni, mert ez robbanást, illetve gyúlékony folyadék vagy gáz szivárgását okozhatja.
- A használt akkumulátorok hulladékkezelésekor kövesse az utasításokat.

Karbantartás

- Ha a termék nem működik megfelelően, forduljon a kereskedőjéhez vagy a legközelebbi szervizközpontoz. Nem vállalunk felelősséget az illetéktelen javításból vagy karbantartásból eredő károkért.
- Törölje le a készüléket egy tiszta ruhával és kis mennyiségű etanollal, ha szükséges.
- Ha a készüléket nem a gyártó által meghatározott módon használja, a védelem szintje csökkenhet.

Használati környezet

- Győződjön meg arról, hogy a használati környezet megfelel a készülék előírásainak. A megfelelő üzemelési hőmérséklet-tartomány -20°C - 55°C (-4°F - 131°F), a megfelelő üzemelési páratartalom pedig legfeljebb 95%.
- NE TEGYE ki a készüléket erős elektromágneses sugárzásnak vagy poros környezetnek.
- NE IRÁNYÍTSA az objektívet a Nap vagy más erős fényforrás irányába.

Vészhelyzet

- Ha a készülék füstöt, furcsa szagot vagy zajt bocsát ki, azonnal kapcsolja ki, húzza ki a tápkábelt, majd forduljon a szervizközpontoz.

A gyártó címe

313-as szoba, B egység, 2-es épület, 399 Danfeng Road, Xixing alkerület, Binjiang kerület, Hangzhou, Zhejiang 310052, Kína
Hangzhou Microimage Software Co., Ltd.

MEGFELELŐSÉGI MEGJEGYZÉS: A termográfias sorozat termékeire exportszabályozás vonatkozhat különböző régiókban és országokban, pl. az Egyesült Államokban, az Európai Unióban, az Egyesült Királyságban és/vagy a wassenaari egyezmény más tagországaiban. Ha a termográfias sorozat termékeit különböző országok közt szeretné szállítani, exportálni vagy újraexportálni, tájékozódjon a szükséges exportengedélyekről és követelményekről egy jogi vagy megfelelőségi szakértőnél, vagy a helyi hatóságoknál.

Română

1 Descriere scurtă

Camera monoculară termică de mână este un dispozitiv portabil cu funcții de observare, urmărire a țintelor la cea mai mare temperatură, măsurare a distanței, punctului fierbinte Wi-Fi etc. Detectorul termic integrat de înaltă sensibilitate vă oferă o vedere clară chiar și în întuneric total.

Dispozitivul este aplicat în principal în scenarii în aer liber, cum ar fi vânătoarea, căutarea și salvarea, drumețiile și călătoriile.

Dispozitivul poate captura instantanee, înregistra videoclipuri și poate seta parametrii prin aplicația HIKMICRO Sight după ce a fost conectat la telefon prin hotspot.

Căutați HIKMICRO Sight din App Store (iOS System) sau Google Play™ (Android System) pentru a-l descărca sau scana codul QR pentru a descărca și instala Aplicația.



Sistem Android

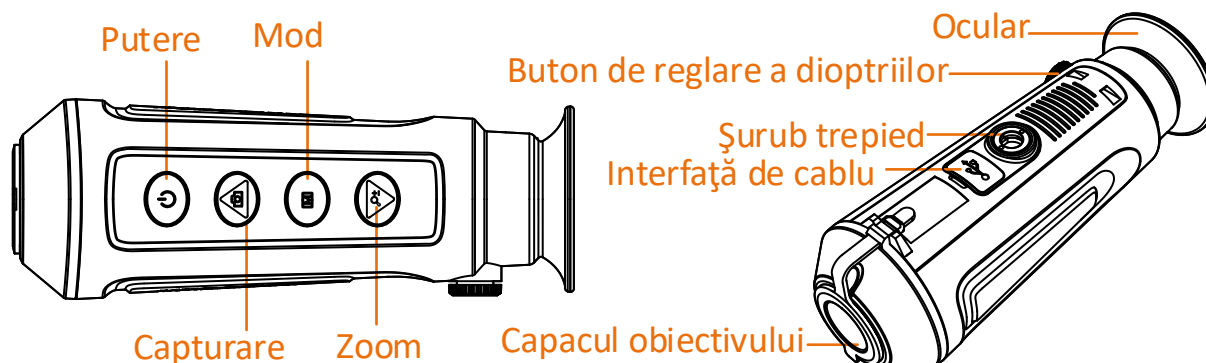


Sistem iOS

Benzile și modurile de frecvență și limitele nominale a puterii transmise (radiate și/sau conduse) aplicabile acestui aparat radio sunt următoarele:

Wi-Fi 2,4 GHz (de la 2,4 GHz până la 2,4835 GHz)	20 dBm
--	--------

2 Aspect



Buton

Pictogramă	Buton	Funcție
	Putere	Apăsăți: mod de repaus/activare dispozitiv Menținere apăsat: pornire/oprire
	Mod	Apăsăți: palete cromatice Menținere apăsat: meniu
	Capturare	Apăsăți: capturare Menținere apăsat: înregistrare
	Zoom	Apăsăți: zoom digital Menținere apăsat: Corecție a Luminosității din Plan Secund

Interfață

- Capacul obiectivului: protejează obiectivul de praf sau zgârieturi.
- Buton de reglare a dioptriilor: ajustați vederea în funcție de gradul de miopie.
- Interfață de cablu: încărcați dispozitivul sau exportați fișierele cu cablul USB furnizat.
- Șurub trepied: conectat la trepied.

3 Încărcarea dispozitivului

După pornirea dispozitivului, OSD-ul (afișajul pe ecran) arată starea bateriei. Când bateria este descărcată, încărcați dispozitivul și asigurați-vă că acesta funcționează corect.

Înainte sa incepeți

- Temperatura de încărcare trebuie să fie cuprinsă între 0 °C și 45 °C (32 °F și 113 °F).

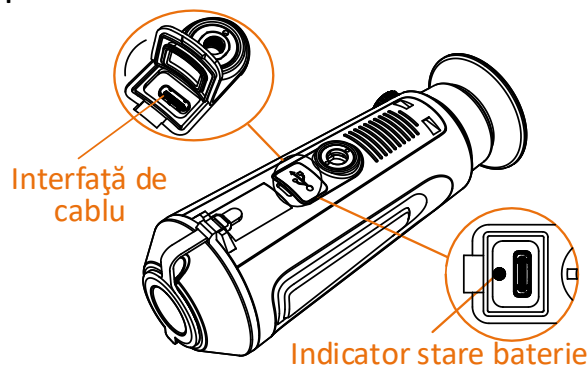
- Încărcați dispozitivul folosind cablul USB livrat.

Pași

1. Ridicați capacul USB.

2. Conectați cablul USB și încărcați dispozitivul.

- Roșu și verde intermitent: s-a produs o eroare.
- Roșu solid: bateria este încărcată corespunzător.
- Verde solid: bateria este complet încărcată.
- Oprit: bateria nu este încărcată.



Manual de utilizare



Informații legale


©2022 Hangzhou Microimage Software Co., Ltd. Toate drepturile rezervate.

Despre acest Manual

Manualul include instrucțiuni pentru utilizarea și gestionarea Produsului. Fotografii, diagramele, imaginile și toate celelalte informații de mai jos sunt doar pentru descriere și explicații. Informațiile conținute în Manualul pot fi modificate, fără notificare prealabilă, din cauza actualizărilor firmware-ului sau din alte motive. Vă rugăm să găsiți cea mai recentă versiune a acestui Manual pe site-ul HIKMICRO (www.hikmicrotech.com/).

Vă rugăm să folosiți acest Manual sub îndrumarea și cu asistența unor profesioniști instruiți în domeniul asistenței pentru produs.

Recunoașterea mărcilor

 **HIKMICRO** și alte mărci comerciale și sigle ale HIKMICRO reprezintă proprietatea

HIKMICRO în diferite jurisdicții.

Alte mărci comerciale și logo-uri menționate sunt proprietățile proprietarilor respectivi.

AVIZ LEGAL

ÎN MĂSURA MAXIMĂ PERMISĂ DE LEGISLAȚIA APLICABILĂ, ACEST MANUAL ȘI PRODUSUL DESCRIS, ÎMPREUNĂ CU HARDWARE-UL, SOFTWARE-UL ȘI FIRMWARE-UL SĂU, SUNT FURNIZATE „CA ATARE” ȘI „CU TOATE DEFECTELE ȘI ERORILE”. HIKMICRO NU OFERĂ GARANȚII, EXPLICITE SAU IMPLICITE, INCLUSIV, FĂRĂ LIMITARE, VANDABILITATE, CALITATE SATISFĂCĂTOARE SAU ADECVARE PENTRU UN ANUMIT SCOP. UTILIZAREA PRODUSULUI DE CĂTRE DVS. ESTE PE PROPRIU RISC. ÎN NICIUN CAZ

HIKMICRO NU VA FI RĂSPUNZĂTOR FAȚĂ DE DVS. PENTRU ORICE DAUNE SPECIALE, CONSECVENTE, ACCIDENTALE SAU INDIRECTE, INCLUSIV, PRINTRE ALTELE, DAUNE PENTRU PIERDEREA PROFITURILOR DE AFACERI, ÎNTRERUPEREA AFACERII, SAU PIERDEREA DATELOR, CORUPȚIA SISTEMELOR SAU PIERDEREA DOCUMENTAȚIEI, FIE CĂ SE BAZEAZĂ PE ÎNCĂLCAREA CONTRACTULUI, DELICT (INCLUSIV NEGLIJENȚĂ), RĂSPUNDEREA PRODUSULUI SAU ÎN ALT MOD, ÎN LEGĂTURĂ CU UTILIZAREA PRODUSULUI, CHIAR DACĂ HIKMICRO A FOST INFORMAT CU PRIVIRE LA POSIBILITATEA UNOR ASTFEL DE DAUNE SAU PIERDERI.

RECUNOAȘTEȚI CĂ NATURA INTERNETULUI ASIGURĂ RISCURI DE SECURITATE INERENTE, IAR HIKMICRO NU ÎȘI ASUMĂ NICIO RESPONSABILITATE PENTRU FUNCȚIONAREA ANORMALĂ, SCURGERI DE CONFIDENȚIALITATE SAU ALTE DAUNE REZULTATE DIN ATACURILE CIBERNETICE, ATACURILE HACKERILOR, INFECȚIILOR CU VIRUȘI SAU ALTE RISCURI DE SECURITATE PE INTERNET; CU TOATE ACESTEA, HIKMICRO VA OFERI ASISTENȚĂ TEHNICĂ ÎN TIMP UTIL, DACĂ ESTE NECESAR. SUNTEȚI DE ACORD SĂ UTILIZAȚI ACEST PRODUS ÎN CONFORMITATE CU TOATE LEGILE APLICABILE ȘI SUNTEȚI SINGURUL RESPONSABIL PENTRU A VĂ ASIGURA CĂ UTILIZAREA DVS. ESTE ÎN CONFORMITATE CU LEGISLAȚIA APLICABILĂ. ÎN SPECIAL, SUNTEȚI RESPONSABIL, PENTRU UTILIZAREA ACESTUI PRODUS ÎNTR-UN MOD CARE NU ÎNCALCĂ DREPTURILE TERȚILOR, INCLUSIV, FĂRĂ LIMITARE, DREPTURILE DE PUBLICITATE, DREPTURILE DE PROPRIETATE INTELLECTUALĂ SAU PROTECȚIA DATELOR ȘI ALTE DREPTURI DE CONFIDENȚIALITATE. NU UTILIZAȚI ACEST PRODUS PENTRU VÂNĂTOAREA ILEGALĂ DE ANIMALE, INVAZIA VIEȚII PRIVATE SAU ÎN ORICE ALT SCOP CARE ESTE ILEGAL SAU ÎN DETRIMENTUL INTERESULUI PUBLIC. NU VEȚI UTILIZA ACEST PRODUS PENTRU UTILIZĂRI FINALE INTERZISE, INCLUSIV PENTRU DEZVOLTAREA SAU PRODUCEREA DE ARME DE DISTRUGERE ÎN MASĂ, DEZVOLTAREA SAU PRODUCEREA DE ARME CHIMICE SAU BIOLOGICE, ORICE ACTIVITĂȚI ÎN CONTEXTUL ORICĂRUI CICLU NUCLEAR EXPLOZIV SAU NESIGUR AL COMBUSTIBILULUI NUCLEAR SAU ÎN SPRIJINUL OAMENILOR ABUZURI DE DREPTURI. ÎN EVENTUALITATEA UNUI CONFLICT ÎNTRE ACEST MANUAL ȘI LEGISLAȚIA APLICABILĂ, VA AVEA PRIORITYATE ULTIMA DINTRE ACESTEA.

Informații de reglementare

Aceste clauze se aplică numai produselor care poartă marca sau informațiile corespunzătoare.

Declarație de conformitate UE



Acest produs și - dacă este cazul - și accesoriile furnizate sunt marcate cu "CE" și, prin urmare, sunt conforme cu standardele europene armonizate aplicabile enumerate în Directiva 2014/53/UE (RED), Directiva 2014/30/UE (EMCD), Directiva 2014/35/UE (LVD), Directiva 2011/65/UE (RoHS).



Directiva 2012/19/UE (Directiva DEEE): Produsele marcate cu acest simbol nu pot fi aruncate ca deșeuri municipale nesortate în Uniunea Europeană. Pentru o reciclare adecvată, returnați acest produs furnizorului local la achiziționarea unui echipament nou echivalent sau aruncați-l la punctele de colectare desemnate. Pentru mai multe informații, consultați: www.recyclethis.info



Directiva 2006/66/CE și modificarea acesteia 2013/56/UE (Directiva privind bateriile): Acest produs conține o baterie care nu poate fi eliminată ca deșeuri municipale nesortate în Uniunea Europeană. Consultați documentația produsului pentru informații specifice despre baterie. Bateria este marcată cu acest simbol, care poate include litere pentru a indica cadmiul (Cd), plumbul (Pb) sau mercurul

(Hg). Pentru o reciclare corectă, returnați bateria furnizorului dvs. sau la un punct de colectare desemnat. Pentru mai multe informații, consultați: www.recyclethis.info.

Instrucțiuni de siguranță

Aceste instrucțiuni sunt menite să asigure că utilizatorul poate utiliza corect produsul pentru a evita pericolul sau pierderea proprietății.

Legi și reglementări

- Utilizarea produsului trebuie să respecte cu strictețe reglementările locale de siguranță electrică.

Transport

- Păstrați dispozitivul în ambalajul original sau similar în timpul transportului.
- După dezambalare, păstrați toate ambalajele pentru o viitoare utilizare. În cazul în care a apărut vreun defect, trebuie să returnați dispozitivul în fabrică cu ambalajul original. Transportul fără ambalajul original poate duce la deteriorarea dispozitivului, iar compania nu își asumă nici o responsabilitate pentru aceasta.
- Nu scăpați produsul și nu-l supuneți șocurilor fizice. Țineți dispozitivul departe de interferența magnetică.

Sursa de alimentare

- Tensiunea de intrare trebuie să respecte sursa limitată de putere (5 V c.c., 2 A), conform standardului IEC62368-1. Vă rugăm să consultați specificațiile tehnice pentru informații detaliate.
- Asigurați-vă că ștecherul este conectat corect la priza de curent.
- NU conectați mai multe dispozitive la un adaptor de alimentare pentru a evita pericolul de supraîncălzire sau de incendiu.
- Utilizați adaptorul de alimentare furnizat de un producător calificat. Consultați specificațiile produsului pentru cerințele detaliate de alimentare.

Baterie

- Bateria încorporată nu poate fi demontată. Vă rugăm să contactați producătorul pentru reparații, dacă este necesar.
- Pentru depozitarea pe termen lung a bateriei, asigurați-vă că aceasta este complet încărcată la fiecare jumătate de an pentru a asigura calitatea bateriei. În caz contrar, pot apărea daune.
- Utilizați bateria furnizată de un producător calificat. Consultați specificațiile produsului pentru cerințele detaliate privind pbateria.
- ATENȚIE: Risc de explozie dacă bateria este înlocuită cu una de tip incorect.
- Înlocuirea necorespunzătoare a bateriei cu un tip incorect poate anula o protecție (de exemplu, în cazul unor tipuri de baterii cu litiu).
- Nu aruncați bateria în foc sau într-un cuptor încins și nici nu zdrobiți sau tăiați mecanic bateria, deoarece aceasta poate provoca o explozie.
- Nu lăsați bateria într-un mediu înconjurător cu temperaturi extrem de ridicate, ceea ce poate duce la o explozie sau la scurgerea de lichid sau gaz inflamabil.
- Nu supuneți bateria la o presiune extrem de scăzută a aerului, care poate duce la o explozie sau la scurgerea de lichid sau gaz inflamabil.
- Aruncați bateriile uzate în conformitate cu instrucțiunile.

Întreținere

- În cazul în care produsul nu funcționează corect, vă rugăm să contactați dealerul sau cel mai

apropiat centru de service. Nu ne asumăm nicio responsabilitate pentru problemele cauzate de reparații sau întreținere neautorizate.

- Ștergeți ușor aparatul cu o cârpă curată și o cantitate mică de etanol, dacă este necesar.
- În cazul în care echipamentul este utilizat într-un mod care nu este specificat de producător, protecția oferită de dispozitiv poate fi afectată.

Utilizarea mediului

- Asigurați-vă că mediul de funcționare îndeplinește cerințele dispozitivului. Temperatura de funcționare trebuie să fie de la -20 °C până la 55 °C (-4 °F până la 131 °F), iar umiditatea de funcționare trebuie să fie de 95% sau mai mică.
- NU expuneți dispozitivul la radiații electromagnetice ridicate sau în medii cu praf .
- NU îndreptați obiectivul la soare sau la orice altă lumină strălucitoare.

Urgență

- Dacă de la dispozitiv apar fum, miros sau zgomot, opriți imediat alimentarea, deconectați cablul de alimentare și contactați centrul de service.

Adresa de fabricație

Camera 313, unitatea B, clădirea 2, strada 399 Danfeng, subdistrictul Xixing, districtul Binjiang, Hangzhou, Zhejiang 310052, China
Hangzhou Microimage Software Co., Ltd.

NOTIFICARE DE CONFORMITATE: Produsele din seria termică pot fi supuse controalelor exporturilor în diferite țări sau regiuni, inclusiv, fără limitare, Statele Unite ale Americii, Uniunea Europeană, Regatul Unit și/sau alte țări membre ale Aranjamentului de la Wassenaar. Vă rugăm să consultați expertul juridic sau de conformitate profesional sau autoritățile administrației locale pentru orice cerințe necesare privind licența de export dacă intenționați să transferați, să exportați, să reexportați produsele din seria termică între diferite țări.

Nederlands

1 Korte beschrijving

De thermische monoculaire handcamera is een draagbaar apparaat met de volgende functies: observatie, doelvolging van de hoogste temperatuur, afstandsmeting, wifi-hotspot, enzovoort. De zeer gevoelige ingebouwde thermische detector geeft u een helder zicht, zelfs in totale duisternis. Het apparaat wordt voornamelijk gebruikt in scenario's buitenshuis, zoals tijdens het jagen, reddingswerk, wandelen en reizen. Het apparaat kan snapshots maken, video's opnemen en parameters instellen met de HIKMICRO Sight APP nadat het met uw telefoon is verbonden via een hotspot.

Zoek naar HIKMICRO Sight in de App Store (iOS-apparaat) of Google Play™ (Android-apparaat) of scan de QR-code om de app te downloaden en te installeren.



Android-systeem

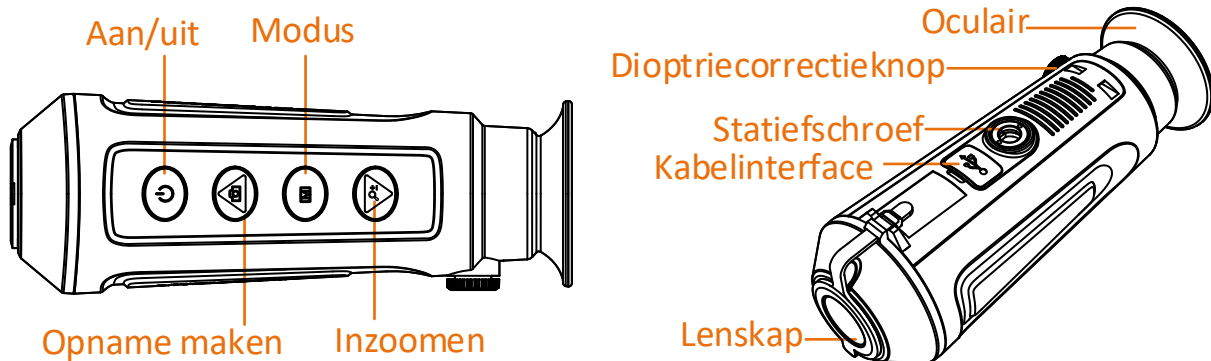


iOS-systeem

De frequentiebanden en -modi en de nominale limieten van het uitgezonden vermogen (uitgestraald en/of geleid) die van toepassing zijn op dit radio-apparaat zijn de volgende:

Wi-Fi 2,4 GHz (2,4 GHz tot 2,4835 GHz)	20 dBm
--	--------

2. Verschijning



Toets

Pictogram	Toets	Functie
	Aan/uit	Druk in voor stand-by-modus/om het apparaat te wekken Houd ingedrukt om in/uit te schakelen
	Modus	Druk in voor kleurenpaletten Houd ingedrukt voor het menu
	Opname maken	Druk in om een opname te maken Houd ingedrukt om op te nemen
	Inzoomen	Druk in voor digitale zoom Houd ingedrukt voor: VVC (Vlakveldcorrectie)

Interface

- Lenskap: beschermt de lens tegen stof en krassen.
- Dioptriecorrectieknop: stel de weergave af op uw mate van bijziendheid.
- Kabelinterface: laad het apparaat op of exporteer bestanden met

behulp van de meegeleverde USB-kabel.

- Statiefschroef: aangesloten op statief.

3 Het apparaat opladen

Nadat het apparaat is opgestart, geeft het scherm de batterijstatus weer. Laad het apparaat op als de batterij bijna leeg is om een correcte werking te garanderen.

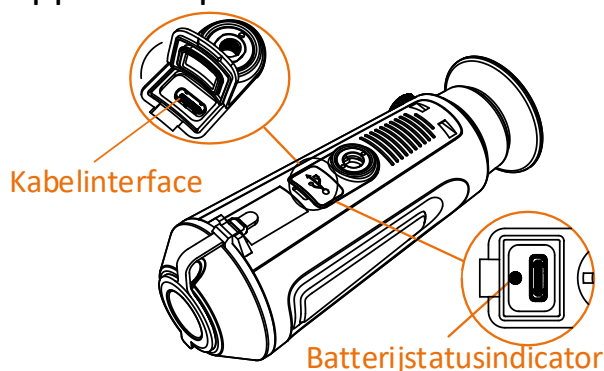
Voordat u begint

- De oplaadtemperatuur moet tussen de 0°C en 45°C zijn.
- Laad het apparaat op met de meegeleverde USB-kabel.

Stappen

1. Til het USB-klepje op.
2. Sluit de USB-kabel aan en laad het apparaat op.

- Rood en groen knipperend: er is een fout opgetreden.
- Ononderbroken rood: de batterij wordt correct opgeladen.
- Ononderbroken groen: de batterij is volledig opgeladen.
- UIT: de batterij wordt niet opgeladen.



Gebruiksaanwijzing



Juridische informatie


©2022 Hangzhou Microimage Software Co., Ltd. Alle rechten voorbehouden.

Over deze handleiding

De handleiding bevat instructies voor het gebruik en beheer van het product. Afbeeldingen, grafieken, afbeeldingen en alle andere informatie hierna worden verstrekt voor beschrijving en uitleg. De informatie in de handleiding is onderhevig aan verandering, zonder voorafgaande kennisgeving, als gevolg van firmware-updates of andere redenen. U kunt de nieuwste versie van deze handleiding vinden op de HIKMICRO-website (www.hikmicrotech.com/).

Gebruik deze handleiding onder begeleiding en ondersteuning van professionals die zijn opgeleid voor het ondersteunen van het product.

Erkenning handelsmerken

 **HIKMICRO** en andere handelsmerken en logo's van HIKMICRO zijn eigendom van HIKMICRO in verschillende rechtsgebieden.

Andere handelsmerken en logo's zijn het eigendom van hun respectieve eigenaren.

JURIDISCHE DISCLAIMER

VOOR ZOVER MAXIMAAL TOEGESTAAN OP GROND VAN HET TOEPASSELIJK RECHT, WORDEN DEZE HANDLEIDING EN HET OMSCHREVEN PRODUCT, INCLUSIEF HARDWARE, SOFTWARE EN FIRMWARE, GELEVERD 'ZOALS ZE ZIJN', INCLUSIEF 'FOUTEN EN GEBREKEN'. HIKMICRO GEEFT GEEN GARANTIES, EXPLICIET OF IMPLICIET, WAARONDER ZONDER BEPERKING, VERKOOPBAARHEID, BEVREDIGENDE KWALITEIT OF GESCHIKTHEID VOOR EEN BEPAALD DOEL. HET GEBRUIK VAN HET PRODUCT DOOR U IS OP EIGEN RISICO. IN GEEN GEVAL IS HIKMICRO VERANTWOORDELIJK VOOR SPECIALE, BIJKOMENDE, INCIDENTELE OF INDIRECTE SCHADE, WAARONDER, ONDER ANDERE, SCHADE VAN VERLIES AAN ZAKELIJKE WINST, ZAKELIJKE ONDERBREKING OF VERLIES VAN GEGEVENS, CORRUPTIE OF SYSTEMEN, OF VERLIES VAN DOCUMENTATIE, ONGEACHT OF DIT VOORTVLOEIT UIT CONTRACTBREUK, BENADELING (INCLUSIEF NALATIGHEID), PRODUCTAANSPRAAKELIJKHEID OF ANDERS, MET BETREKKING TOT HET PRODUCT, ZELFS ALS HIKMICRO OP DE HOOGTE IS GEBRACHT VAN ZULKE SCHADE OF VERLIES.

U ERKENT DAT DE AARD VAN HET INTERNET INHERENTE VEILIGHEIDSRISICO'S INHOUDT EN DAT HIKMICRO GEEN ENKELE VERANTWOORDELIJKHEID AANVAARDT VOOR ABNORMALE WERKING, HET UITLEKKEN VAN PERSOONLIJKE GEGEVENS OF ANDERE SCHADE ALS GEVOLG VAN CYBERAANVALLEN, HACKERAANVALLEN, VIRUSBESMETTINGEN OF ANDERE BEVEILIGINGSRISICO'S OP HET INTERNET; INDIEN NODIG VOORZIET HIKMICRO IN TIJDIGE TECHNISCHE ONDERSTEUNING. U GAAT AKKOORD MET HET GEBRUIK VAN DIT PRODUCT IN OVEREENSTEMMING MET ALLE TOEPASBARE WETTEN EN UITSLUITEND U BENT VERANTWOORDELIJK VOOR DE GARANTIE DAT UW GEBRUIK OVEREENSTEMT MET DE TOEPASBARE WET. U BENT VOORAL VERANTWOORDELIJK DAT HET GEBRUIK VAN DIT PRODUCT GEEN INBREUK MAAKT OP DE RECHTEN VAN DERDEN, INCLUSIEF EN ZONDER BEPERKING DE RECHTEN VAN PUBLICITEIT, INTELLECTUEEL EIGENDOM, OF GEGEVENS BESCHERMING EN ANDERE PRIVACYRECHTEN. U MAG DIT PRODUCT NIET GEBRUIKEN OM ILLEGAAL OP DIEREN TE JAGEN, DE PRIVACY TE SCHENDEN OF VOOR ENIG ANDER DOEL DAT ILLEGAAL IS DAN WEL SCHADELIJK VOOR HET OPENBAAR BELANG. U MAG DIT PRODUCT NIET GEBRUIKEN VOOR ENIGE ONWETTIG EINDGEBRUIK, MET INBEGRIIP VAN DE ONTWIKKELING OF DE PRODUCTIE VAN MASSAVERNIEGINGSWAPENS, DE ONTWIKKELING OF DE PRODUCTIE VAN CHEMISCHE OF BIOLOGISCHE WAPENS, ALLE ACTIVITEITEN IN HET KADER VAN EVENTUELE NUCLEAIRE EXPLOSIEVEN OF ONVEILIGE NUCLEAIRE BRANDSTOF CYCLUS, OF TER ONDERSTEUNING VAN MENSENRECHTENSCHENDINGEN.

IN HET GEVAL VAN ENIGE CONFLICTEN TUSSEN DEZE HANDLEIDING EN DE TOEPASSELIJKE WETGEVING, PREVALEERT DE LAATSTE.

Informatie met betrekking tot regelgeving

Deze clausules zijn alleen van toepassing op de producten die de overeenkomende markering of informatie dragen.

EU-conformiteitsverklaring



Dit product en - indien van toepassing - ook de meegeleverde accessoires zijn gemarkeerd met "CE" en voldoen daarmee aan de toepasselijke geharmoniseerde Europese normen vermeld onder de Richtlijn 2014/53/EU (RED), Richtlijn 2014/30/EU (EMCD), Richtlijn 2014/35/EU (LVD), Richtlijn 2011/65/EU (RoHS).



Richtlijn 2012/19/EU (WEEE-richtlijn): Producten die met dit symbool zijn gemarkeerd mogen binnen de Europese Unie niet worden weggegooid als ongesorteerd huishoudelijk afval. Lever dit product voor een juiste recycling in bij uw plaatselijke leverancier bij aankoop van soortgelijke nieuwe apparatuur, of breng het naar daarvoor aangewezen inzamelpunten. Raadpleeg www.recyclethis.info voor meer informatie



Richtlijn 2006/66/EG en zijn amendement 2013/56/EU (Batterijrichtlijn): Dit product bevat een batterij die binnen de Europese Unie niet mag worden weggegooid als ongesorteerd huishoudelijk afval. Zie de productdocumentatie voor specifieke informatie over de batterij. De batterij is gemarkeerd met dit symbool, dat letters kan bevatten die cadmium (Cd), lood (Pb) of kwik (Hg) aanduiden. Lever de batterij voor een juiste recycling in bij uw leverancier of bij een daarvoor aangewezen inzamelpunt. Raadpleeg voor meer informatie: www.recyclethis.info.

Veiligheidsinstructies

Deze instructies zijn bedoeld om te verzekeren dat de gebruiker het product juist kan gebruiken om gevaar of verlies van eigendommen te vermijden.

Wet- en regelgeving

- Gebruik van het product moet in strikte overeenstemming met de plaatselijke elektrische veiligheidsvoorschriften plaatsvinden.

Transport

- Bewaar het apparaat in de originele of soortgelijke verpakking tijdens vervoer.
- Bewaar alle verpakkingen voor toekomstig gebruik. In het geval van een defect moet u het apparaat terugsturen naar de fabriek met de originele verpakking. Transport zonder de originele verpakking kan leiden tot schade aan het apparaat, waarvoor wij geen verantwoordelijk erkennen.
- Laat het product niet vallen en stel het apparaat niet bloot aan schokken. Houd het toestel uit de buurt van magnetische velden.

Stroomvoorziening

- De ingangsspanning moet voldoen aan de Beperkte Voedingsbron (5 VDC, 2 A) volgens de IEC62368-1-norm. Zie de technische specificaties voor gedetailleerde informatie.
- Zorg dat de stekker goed in het stopcontact zit.
- Sluit NOOIT meerdere apparaten aan op één voedingsadapter om oververhitting of brandgevaar door overbelasting te voorkomen.
- Gebruik de door een gekwalificeerde fabrikant geleverde netstroomadapter. Raadpleeg de productspecificaties voor nauwkeurig omschreven vereisten omtrent de voeding.

Batterij

- De ingebouwde batterij kan niet worden gedemonteerd. Neem indien nodig contact op met de fabrikant voor reparatie.
- Voor langdurige opslag van de batterij moet u ervoor zorgen dat deze elk half jaar volledig wordt opgeladen om de kwaliteit van de batterij te waarborgen. Als u dit niet doet, kan dit leiden tot schade.
- Gebruik de door een gekwalificeerde fabrikant geleverde batterij. Raadpleeg de productspecificaties voor nauwkeurig omschreven vereisten omtrent de batterij.
- LET OP: Er bestaat explosiegevaar wanneer de batterij door een onjuist type wordt vervangen.
- Onjuiste vervanging van de batterij door een onjuist type kan een beveiliging omzeilen (bijvoorbeeld in het geval van sommige typen lithiumbatterijen).
- Gooi de batterij niet in vuur of een hete oven en plet of snij de batterij niet op mechanische wijze, want dat kan een explosie veroorzaken.
- Laat de batterij niet in een omgeving met een extreem hoge temperatuur liggen, want dat kan een explosie of het lekken van brandbare vloeistof of gas tot gevolg hebben.
- Stel de batterij niet bloot aan extreem lage luchtdruk, want dat kan een explosie of het lekken van brandbare vloeistof of gas tot gevolg hebben.
- Verwijder gebruikte batterijen in overeenstemming met de instructies.

Onderhoud

- Als het product niet goed werkt, neem dan contact op met uw leverancier of het dichtstbijzijnde servicecentrum. Wij aanvaarden geen verantwoordelijkheid voor problemen die zijn veroorzaakt door ongeautoriseerde reparatie of onderhoud.
- Veeg het apparaat voorzichtig schoon met een schone doek en, indien nodig, een kleine hoeveelheid ethanol.
- Als de apparatuur wordt gebruikt op een manier die niet door de fabrikant is gespecificeerd, kan de bescherming van het apparaat worden aangetast.

Gebruiksomgeving

- Zorg dat de gebruiksomgeving voldoet aan de vereisten van het apparaat. Het apparaat werkt bij een temperatuur van -20 °C tot 55 °C en een luchtvochtigheid van 95% of minder.
- Stel het apparaat NIET bloot aan hoge elektromagnetische straling of stoffige omgevingen.
- Richt de lens NIET op de zon of een ander fel licht.

Noodgeval

- Als er rook, geur of geluid uit het apparaat komt, schakel het dan onmiddellijk uit, haal de stekker van het netsnoer uit het stopcontact en neem contact op met het servicecentrum.

Adres fabrikant

Kamer 313, Unit B, Gebouw 2, 399 Danfeng Road, subdistrict Xixing, district Binjiang, Hangzhou, Zhejiang 310052, China
Hangzhou Microimage Software Co., Ltd.

MEDEDELING VAN NALEVING: De producten thermische serie kunnen zijn onderworpen aan exportcontroles in verschillende landen of regio's, inclusief zonder enige beperking de Verenigde Staten, de Europese Unie, het Verenigd Koninkrijk en/of andere lidstaten van de Overeenkomst van Wassenaar. Neem contact op met uw professionele juridische of nalevingsexpert of plaatselijke overheidsinstanties omtrent enige noodzakelijke vereisten voor een exportvergunning als u van plan bent de producten thermische serie te verplaatsen, exporteren of her-exporteren tussen verschillende landen.

1 Kort oversigt

Det håndholdte termografiske monokulære kamera er en håndholdt enhed, hvis funktioner omfatter overvågning, målsøgning efter højeste temperatur, afstandsmåling, wi-fi-hotspot osv. Den indbyggede, højfølsomme termiske detektor giver dig et klart billede, selv i fuldkommen mørke. Enheden bruges primært til udendørsscenarier som f.eks. jagt, eftersøgnings- og redningsaktioner, vandreture og rejser. Enheden kan optage enkeltbilleder og video, og du kan indstille parametre via appen HIKMICRO Sight, når enheden er forbundet til din telefon via et hotspot.

Søg efter HIKMICRO Sight i App Store (iOS-system) eller Google Play™ (Android-system) for at hente appen, eller scan QR-koden for at hente og installere appen.



Android

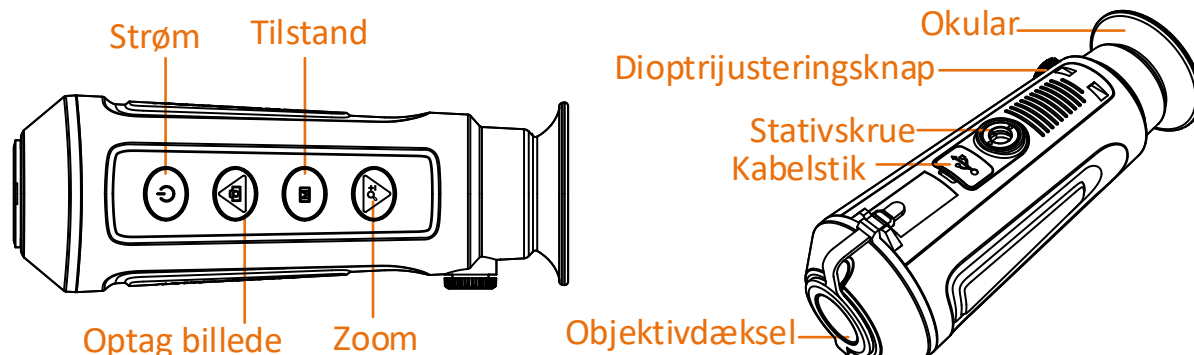


iOS

Frekvensbånd og tilstande samt de nominelle grænser for transmitteret effekt (udstrålet og/eller ledningsbåret) er følgende for radioenheden:

Wi-fi 2,4 GHz (2,4 GHz til 2,4835 GHz)	20 dBm
--	--------

2 Udseende



Knap

Ikón	Knap	Funktion
	Strøm	Tryk: Standbytilstand/væk enheden Hold: Tænd/sluk
	Tilstand	Tryk: Paletter Hold: Menu
	Optag billede	Tryk: Billedoptagelse Hold: Optagelse
	Zoom	Tryk: Digital zoom Hold: FFC

Stik

- Objektivdæksel: Beskytter objektivet mod støv og ridser.
- Dioptrijusteringsknap: Justér visningen iht. din nærsynethedsgrad.
- Kabelstik: Til opladning af enheden eller eksport af filer via det medfølgende USB-kabel.
- Stativskrue: Til montering på stativ.

3 Opladning af enheden

Når enheden er startet op, vises batteristatussen i skærmmenuen (OSD). Når batteriniveauet er lavt, skal du oplade enheden og sikre, at den fungerer korrekt.

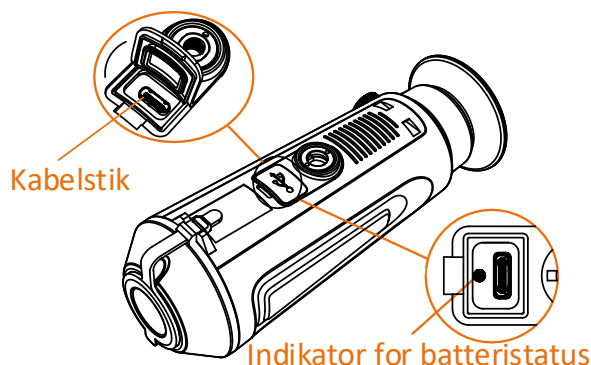
Før du starter

- Temperaturen under opladningen skal ligge i intervallet 0-45 °C (32-113 °F).
- Oplad enheden via det medfølgende USB-kabel.

Trin

1. Løft USB-dækslet.
2. Sæt USB-kablet i, og oplad enheden.

- Blinker rødt og grønt: Det er opstået en fejl.
- Lyser konstant rødt: Batteriet oplades korrekt.
- Lyser konstant grønt: Batteriet er fuldt opladet.
- Slukket: Batteriet oplades ikke.



Brugervejledning



Juridisk information

©2022 Hangzhou Microimage Software Co., Ltd. Alle rettigheder forbeholdes.

Om denne vejledning

Vejledningen indeholder anvisninger om brug og håndtering af produktet. Billeder, diagrammer, illustrationer og alle øvrige oplysninger herefter tjener kun som beskrivelse og forklaring.

Oplysningerne i vejledningen er med forbehold for ændring uden varsel på grund af opdateringer af firmware eller andre årsager. Du kan finde den seneste udgave af vejledningen på webstedet for HIKMICRO (www.hikmicrotech.com/).

Brug brugervejledningen under vejledning af og med hjælp fra fagfolk, der er uddannet i understøttelse af produktet.

Anerkendelse af varemærker

 **HIKMICRO** og andre af HIKMICRO's varemærker og logoer tilhører HIKMICRO i

forskellige jurisdiktioner.

Andre nævnte varemærker og logoer tilhører deres respektive ejere.

JURIDISK ANSVARFRASKRIVELSE

VEJLEDNINGEN OG DET HERI BESKREVNE PRODUKT, INKL. HARDWARE, SOFTWARE OG FIRMWARE, LEVERES I STØRST MULIGT OMFANG, DER ER TILLADT VED LOV, "SOM DET ER OG FOREFINDES" OG "MED ALLE DEFEKTER OG FEJL". HIKMICRO UDSTEDER INGEN GARANTIER, HVERKEN UDTRYKKELIGE ELLER UNDERFORSTÅEDE, INKL. UDEN BEGRÆNSNING, VEDRØRENDE SALGBARHED, TILFREDSSTILLENDE KVALITET ELLER EGNETHED TIL ET BESTEMT FORMÅL. DIN BRUG AF PRODUKTET SKER PÅ DIN EGEN RISIKO. UNDER INGEN OMSTÆNDIGHEDER ER HIKMICRO ANSVARLIG OVER FOR DIG FOR SÆRLIGE SKADER, HÆNDELIGE SKADER, FØLGESKADER ELLER INDIREKTE SKADER, INKL. BL.A., SKADER SOM FØLGE AF DRIFTSTAB, DRIFTSFORSTYRRELSER ELLER TAB AF DATA, BESKADIGELSE AF SYSTEMER ELLER TAB AF DOKUMENTATION, UANSET OM DET ER BASERET PÅ KONTRAKTBRUD, SKADEVOLDENDE HANDLINGER (HERUNDER UAGTSOMHED), PRODUKTANSVAR ELLER PÅ ANDEN MÅDE I FORBINDELSE MED BRUGEN AF PRODUKTET, SELVOM

HIKMICRO ER BLEVET UNDERRETTET OM MULIGHEDEN FOR SÅDANNE SKADER. DU ANERKENDER, AT INTERNETTET INDEHOLDER INDBYGGEDE SIKKERHEDSRISICI. HIKMICRO PÅTAGER SIG INTET ANSVAR FOR UNORMAL DRIFT, LÆKAGE AF PERSONLIGE OPLYSNINGER ELLER ANDRE SKADER SOM FØLGE AF CYBERANGREB, HACKERANGREB, VIRUSANGREB ELLER ANDRE INTERNETSIKKERHEDSRISICI. HIKMICRO VIL DOG YDE EVENTUEL NØDVENDIG OG RETTIDIG TEKNISK SUPPORT.

DU ERKLÆRER DIG INDFORSTÅET MED AT BRUGE PRODUKTET I OVERENSSTEMMELSE MED ALLE GÆLDENDE LOVE, OG DU ER ENEANSVARLIG FOR AT SIKRE, AT DIN BRUG OVERHOLDER AL GÆLDENDE LOVGIVNING. DU ER ISÆR ANSVARLIG FOR AT BRUGE PRODUKTET PÅ EN MÅDE, DER IKKE KRÆNKER TREDJEPARTERS RETTIGHEDER, HERUNDER, UDEN BEGRÆNSNINGER, RETTIGHEDER VEDRØRENDE OFFENTLIG OMTALE, INTELLEKTUELLE EJENDOMSRETTIGHEDER ELLER RETTIGHEDER VEDRØRENDE DATABESKYTTELSE OG ANDRE RETTIGHEDER VEDRØRENDE PERSONLIGE OPLYSNINGER. DU MÅ IKKE BRUGE PRODUKTET TIL ULOVLIG JAGT PÅ DYR, INVASION AF PRIVATLIV ELLER ETHVERT ANDET FORMÅL, DER ER ULOVLIGT ELLER I MODSTRID MED DEN OFFENTLIGE INTERESSE. DU MÅ IKKE BRUGE PRODUKTET TIL FORBUDTE SLUTANVENDELSER, HERUNDER UDVIKLING ELLER FREMSTILLING AF MASSEØDELÆGGELSESVÅBEN, UDVIKLING ELLER PRODUKTION AF KEMISKE ELLER BIOLOGISKE VÅBEN, AKTIVITETER I DEN KONTEKST, DER ER KNYTTET TIL ATOMBOMBER ELLER USIKKERT REAKTORBRÆNDELSE, ELLER SOM STØTTE TIL OVERTRÆDELSE AF MENNESKERETTIGHEDER.

I TILFÆLDE AF UOVERENSSTEMMELSE MELLEM VEJLEDNINGEN OG GÆLDENDE LOVGIVNING GÆLDER SIDSTNÆVNTE.

Lovgivningsmæssige oplysninger

Disse bestemmelser gælder kun for produkter, der er forsynet med det relevante mærke eller oplysninger.

EU-overensstemmelseserklæring



Produktet og eventuelt medfølgende tilbehør er mærket "CE" og opfylder derfor de gældende harmoniserede europæiske standarder, der er anført i EU-direktiv 2014/53/EU (RED), EU-direktiv 2014/30/EU (EMCD), EU-direktiv 2014/35/EU (LVD) og EU-direktiv 2011/65/EU (RoHS).



EU-direktiv 2012/19/EU (WEEE-direktivet): Produkter, der er mærket med dette symbol, kan ikke bortskaffes som almindeligt husholdningsaffald i EU. Med henblik på korrekt genbrug skal du aflevere produktet til din lokale leverandør ved køb af tilsvarende nyt udstyr eller aflevere det på et dertil indrettet indleveringssted. Find yderligere oplysninger på: www.recyclethis.info



Direktiv 2006/66/EF som ændret ved 2013/56/EU (batteridirektivet): Dette produkt indeholder et batteri, som ikke kan bortskaffes sammen med almindeligt husholdningsaffald i EU. Find specifikke oplysninger om batteriet i produkt dokumentationen. Batteriet er mærket med dette symbol, som kan indeholde bogstaver, der indikerer indhold af kadmium (Cd), bly (Pb) eller kviksølv (Hg). Med henblik på korrekt genbrug skal du aflevere batteriet til din leverandør eller til et dertil indrettet indleveringssted. For yderligere oplysninger se: www.recyclethis.info

Sikkerhedsanvisning

Disse anvisninger skal sikre, at brugeren kan anvende produktet korrekt og undgå fare eller tab af ejendom.

Love og bestemmelser

- Brug af dette produkt skal strengt overholde lokale bestemmelser for elektrisk sikkerhed.

Transport

- Opbevar enheden i den oprindelige eller en lignende emballage, når den skal transporteres.
- Gem al emballage efter udpakningen til senere brug. Du skal bruge den originale emballage til at returnere enheden til fabrikken, hvis der opstår fejl. Transport uden den originale emballage kan medføre skade på enheden, og virksomheden tager intet ansvar derfor.
- Tab ikke produktet, og udsæt det ikke for fysiske stød. Hold enheden væk fra magnetisk interferens.

Strømforsyning

- Indgangsspænding skal overholde LPS (Limited Power Source) (5 V jævnstrøm, 2 A) iht. standarden IEC62368-1. Du kan finde nærmere oplysninger i de tekniske specifikationer.
- Kontrollér, at stikket er sat godt i stikkontakten.
- Slut IKKE flere enheder til én strømadapter for at undgå overhedning eller brandfare som følge af overbelastning.
- Brug en strømadapter fra en godkendt fabrikant. Se de nærmere krav til strømforsyning i produktspecifikationerne.

Batteri

- Det indbyggede batteri kan ikke demonteres. Kontakt producenten, hvis du har brug for en reparation.
- Hvis batteriet skal opbevares i en længere periode, skal du sikre, at det oplades fuldt hvert halve år for at bevare batteriets ydeevne. Ellers kan der opstå skade.
- Brug et batteri fra en godkendt producent. Se de nærmere krav til batterier i produktspecifikationen.
- FORSIGTIG: Der er eksplosionsfare, hvis batteriet udskiftes med en ukorrekt type.
- Udskiftning af batteriet med et batteri af forkert type kan sætte en sikkerhedsforanstaltning ud af kraft (gælder fx for visse litium-batterityper).
- Bortskaf ikke batteriet i åben ild eller en varm ovn. Knus ikke, og skær ikke i batteriet, da dette kan forårsage en eksplosion.
- Opbevar ikke batteriet i omgivelser med ekstremt høje temperaturer, da det kan medføre en eksplosion eller lækage af brandfarlig væske eller luftart.
- Udsæt ikke batteriet for omgivelser med ekstremt lavt lufttryk, da det kan medføre en eksplosion eller lækage af brandfarlig væske eller luftart.
- Bortskaf brugte batterier i henhold til anvisningerne.

Vedligeholdelse

- Hvis produktet ikke virker korrekt, skal du kontakte din forhandler eller dit nærmeste servicecenter. Vi påtager os intet ansvar for problemer, der er forårsaget af uautoriseret reparation eller vedligeholdelse.
- Tør enheden forsigtigt af med en ren klud og en lille mængde ætanol, hvis det er nødvendigt.
- Hvis udstyret bruges på en måde, der ikke er angivet af producenten, kan den beskyttelse, der enheden giver, blive forringet.

Driftsmiljø

- Kontrollér, at driftsmiljøet opfylder enhedens krav. Driftstemperaturen skal være -20 °C til 55 °C (-4 °F til 131 °F), og driftsluftfugtigheden skal være 95 % eller mindre.
- Enheden må IKKE udsættes for kraftig elektromagnetisk stråling eller støvfyldte miljøer.
- Objektivet må IKKE rettes mod solen eller et stærkt lys.

Nødsituation

- Hvis enheden afgiver røg, lugt eller støj, skal du straks slukke for strømmen og trække strømkablet ud. Kontakt derefter servicecentret.

Producentens adresse

Værelse 313, Enhed B, Bygning 2, 399 Danfeng Vej, Xixing Underdistrikt, Binjiang Distrikt, Hangzhou, Zhejiang 310052, Kina
Hangzhou Microimage Software Co., Ltd.

MEDDELELSE OM OVERENSSTEMMELSE: Produkterne i den termografiske serie kan være underlagt eksportkontrol i forskellige lande eller områder, herunder, uden begrænsning, USA, EU, Storbritannien og/eller andre medlemslande i Wassenaar-aftalen. Kontakt din professionelle juraekspert, ekspert i overensstemmelse eller de lokale offentlige myndigheder for at få oplysninger om kravene for eksportlicens, hvis du har til hensigt at overføre, eksportere eller geneksportere enheder i den termiske serie mellem forskellige lande.

Norsk

1 Kort beskrivelse

Det håndholdte monokulære kameraet er en håndholdt enhet med funksjoner for observasjon, sporing av den høyeste temperaturen, Wi-Fi-punkt og mer. Den termiske detektoren er høysensitiv, slik at du ser helt klart til og med i stummende mørke. Enheten brukes hovedsaklig til utendørsscenarier som jakt, søk, redning, fjellturer og reiser.

Enheden kan ta bilder og ta opp videoer, og parameterne kan stilles via HIKMICRO Sight-appen når den er koblet til telefonen via hot spot-funksjonalitet.

Søk etter HIKMICRO Sight i App Store (iOS-system) eller Google Play™ (Android-system) for å laste ned, eller skann QR-koden for å laste ned og installere appen.



Android-system

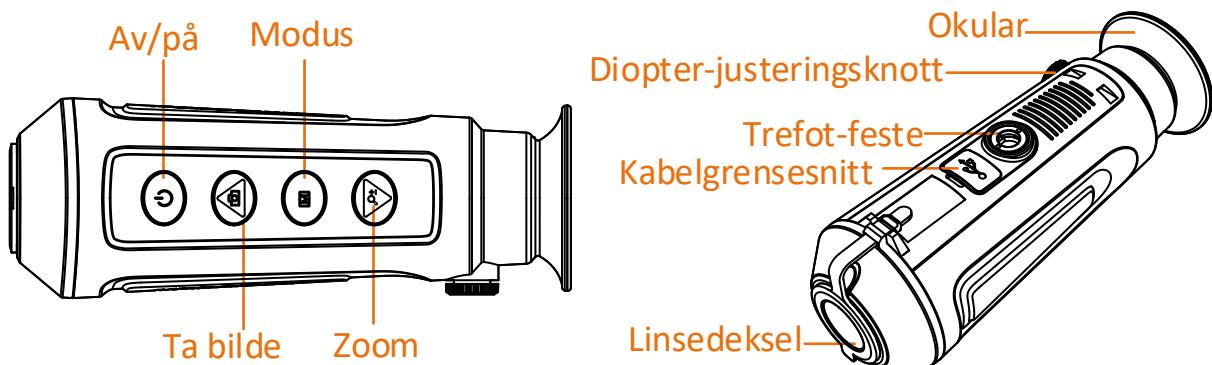


iOS-system

For denne radioenheten gjelder følgende frekvensbånd, moduser og nominelle verdier for utstrålt effekt (utstrålt og ledet):

Wi-Fi 2,4 GHz (2,4 GHz til 2,4835 GHz)	20 dBm
--	--------

2 Utseende



Knapp

Ikon	Knapp	Virkemåte
	Av/på	Trykk: Standbymodus / vekk enheten Hold inne: Skru av/på
	Modus	Trykk: Paletter Hold inne: Meny
	Ta bilde	Trykk: Ta bilde Hold inne: opptak
	Zoom	Trykk: Digital zoom Hold inne: FFC

Kontakt

- Linsedeksel: beskytt linsen mot støv eller riper.
- Diopter-justeringsknott: Juster visningen basert på synet ditt.
- Kabelgrensesnitt: Lade enheten eller eksporterer filer med den medfølgende USB-kabelen.
- Trefot-feste: Koble til en trefot.

3 Lade enheten

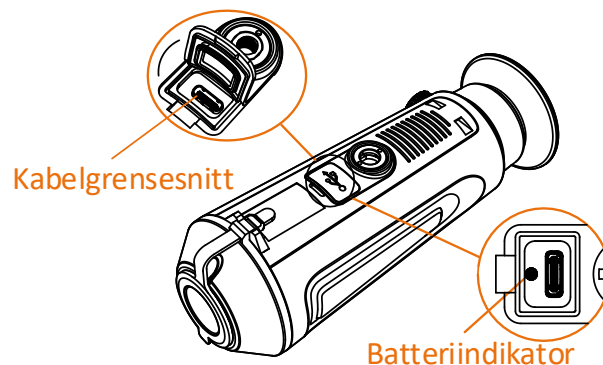
Når enheten er på, vises batteristatusen på skjermen. Når batteriet lades ut, må du lade enheten og kontrollere at den fungerer som den skal.

Før du starter

- Ladetemperaturen skal være mellom 0 °C og 45 °C (32 °F og 113 °F).
- Lad enheten med den medfølgende USB-kabelen.

Instruksjoner

1. Løft opp USB-dekslet.
 2. Sett inn USB-kabelen og lad opp enheten.
- Blinkende rødt og grønt: det har oppstått en feil.
 - Lyser rødt: Batteriet blir ladet.
 - Lyser grønt: Batteriet er fulladet.
 - Av: Batteriet lader ikke.



Brukerhåndbok



Juridisk informasjon

©2022 Hangzhou Microimage Software Co., Ltd. Med enerett.

Om denne Brukerhåndboken

Denne brukerhåndboken forklarer hvordan produktet skal brukes og vedlikeholdes. Bilder, tabeller og all annen informasjon er kun ment som beskrivelser og forklaringer. Informasjonen i brukerhåndboken kan bli endret uten varsel, f.eks. på grunn av fastvareoppdateringer. Du finner den nyeste versjonen av denne håndboken på nettstedet til HIKMICRO (www.hikmicrotech.com/). Bruk denne håndboken i kombinasjon med hjelp fra profesjonelle fagfolk når du bruker produktet.

Varemerkeinformasjon



HIKMICRO

og andre av HIKMICROs varemerker og logoer eies av HIKMICRO i

forskjellige jurisdiksjoner.

Andre varemerker og logoer som presenteres, tilhører sine respektive eiere.

JURIDISK INFORMASJON

DENNE HÅNDBOKEN OG PRODUKTET DEN GJELDER FOR (MASKINVARE, FASTVARE OG PROGRAMVARE) LEVERES «SOM DET ER», INKLUDERT ALLE FEIL OG MANGLER, TIL DEN GRAD DETTE TILLATES AV GJELDENDE LOVVERK. HIKMICRO GIR INGEN GARANTIER, HVERKEN DIREKTE ELLER UNDERFORSTÅTTE, OM BLANT ANNET SALGBARHET, TILFREDSSTILLENDE KVALITET ELLER EGNETHET FOR SPESIFIKKE FORMÅL. ALL BRUK AV PRODUKTET SKJER UTELUKKENDE PÅ DIN EGEN RISIKO. HIKMICRO ER IKKE UNDER NOEN OMSTENDIGHETER ANSVARLIGE OVERFOR DEG FOR EVENTUELLE SPESIELLE SKADER. FØLGESKADER, TILFELDIGE SKADER ELLER INDIREKTE SKADER, INKLUDERT BLANT ANNET TAP AV FORTJENESTE, AVBRUDD I FORRETNINGSDRIFT, TAP AV DATA, SKADER PÅ DATASYSTEMER ELLER TAP AV DOKUMENTASJON SOM OPPSTÅR I FORBINDELSE MED

BRUKEN AV DETTE PRODUKTET, UAVHENGIG AV OM DETTE SKJER GRUNNET KONTRAKTSBRUDD, FORSØMMELSE, PRODUKTFEIL ELLER ANNET, SELV NÅR HIKMICRO HAR BLITT VARSLET OM AT SLIKE SKADER KAN OPPSTÅ.

DU ERKJENNER AT SIKKERHETSRIKHOER LIGGER I INTERNETTS NATUR, OG AT HIKMICRO IKKE TAR NOE ANSVAR FOR UNORMAL DRIFT, LEKKASJER AV PERSONVERN ELLER ANDRE SKADER SOM FØLGER AV CYBERANGREP, VIRUSINFISERING ELLER ANDRE INTERNETTRISIKHOER. IMIDLERTID VIL HIKMICRO LEVERER TIDLIG TEKNISK SUPPORT HVIS NØDVENDIG.

DU GODTAR Å BRUKE DETTE PRODUKTET I SAMSVAR MED ALLE GJELDENE LOVER, OG AT DU ER ENEANSVARLIG FOR Å FORSIKRE DEG OM AT DIN BRUK SKJER I SAMSVAR MED GJELDENE LOVER. SPESIFIKT NEVNES AT DU ER ANSVARLIG FOR Å BRUKE DETTE PRODUKTET PÅ EN MÅTE SOM IKKE KRENKER RETTIGHETENE TIL TREDJEPARTER, BLANT ANNET RETT TIL PUBLISERING, IMMATERIELLE EIENDOMSRETTIGHETER ELLER LOVER OM DATABESKYTTELSE OG PERSONVERN. DU MÅ IKKE BRUKE DETTE PRODUKTET TIL ULOVLIG JAKT PÅ DYR, BRUDD PÅ PRIVATLIVETS FRED ELLER ANDRE FORMÅL SOM ER ULOVLIGE ELLER STRIDER MOT OFFENTLIGHETENS INTERESSER. DU SKAL IKKE BRUKE PRODUKTET TIL ULOVLIGE FORMÅL, BLANT ANNET UTVIKLING ELLER PRODUKSJON AV MASSEØDELEGGELSESVÅPEN, UTVIKLING ELLER PRODUKSJON AV KJEMISKE OG BIOLOGISKE VÅPEN, ENHVER FORM FOR AKTIVITET KNYTTET TIL KJERNEVÅPEN ELLER UTRYGG BRUK AV KJERNEFYSISK MATERIALE ELLER I FORBINDELSE MED BRUDD PÅ MENNESKERETTIGHETENE. HVIS DET OPPSTÅR KONFLIKTER MELLOM BRUKERHÅNDBOKEN OG GJELDENE LOVVERK, ER DET SISTNEVNTE SOM GJELDER.

Regulatorisk informasjon

Disse klausulene gjelder kun for produktene med det tilsvarende merket eller informasjonen.

Samsvarserklæring for EU



Dette produktet og (hvis relevant) tilbehøret som følger med, er merket «CE», og overholder dermed de gjeldende, harmoniserte europeiske standardene som beskrives i direktiv 2014/53/EU (RED), direktiv 2014/30/EU (EMCD), direktiv 2014/35/EU (LVD) og direktiv 2011/65/EU (RoHS).



Direktiv 2012/19/EU (WEEE-direktivet): Produkter som er merket med dette symbolet kan ikke kastes som restavfall innenfor EU. Produktet skal returneres for resirkulering, enten til en forhandler/leverandør eller på en miljøstasjon eller et lignende, godkjent mottakssted. For mer informasjon, se www.recyclethis.info.



Direktiv 2006/66/EC og dets endring 2013/56/EU (batteridirektivet): Dette produktet inneholder et batteri som ikke kan kastes som restavfall innenfor EU. Se produktinformasjonen for spesifikk informasjon om batteriet. Batteriet er merket med dette symbolet, som også kan inneholde bokstaver for å indikere at det inneholder kadmium (Cd), bly (Pb) eller kvikksølv (Hg). Batteriet skal returneres for resirkulering, enten til en forhandler/leverandør eller til et godkjent mottakssted. For mer informasjon, se www.recyclethis.info.

Sikkerhetsinstruksjoner

Formålet med disse instruksjonene er at brukeren skal kunne bruke produktet riktig for å unngå

skade og tap av eiendom.

Love og forskrifter

- Bruk av produktet må være i fullstendig samsvar med lokale sikkerhetsregulering for elektrisitet.

Transport

- Enheten skal oppbevares i den originale emballasjen (eller lignende) under transport.
- Oppbevar all emballasje etter åpning for fremtidig bruk. I tilfelle det oppstår feil, må du returnere enheten til fabrikken i den originale emballasjen. Transport uten den originale emballasjen kan føre til skader på enheter, et ansvar som ikke dekkes av selskapet.
- Produktet må ikke slippes i bakken eller utsettes for fysiske støt. Hold enheten borte fra magnetiske forstyrrelser.

Strømforsyning

- Inngangsspenningen må imøtekomme Begrenset strømkilde (5 VDC, 2 A), i henhold til IEC62368-1-standarden. Les den tekniske dokumentasjonen for mer informasjon.
- Sørg for at kontakten er satt riktig inn i stikkkontakten.
- Koble IKKE flere enheter til ett strømadapter. Overbelastning av adaptere kan føre til overoppheting og brannfare.
- Bruk en strømadapteren fra en kvalifisert produsent. Les produktinformasjonen for mer informasjon om strømkravene.

Batteri

- Det innebyggede batteriet kan ikke demonteres. Kontakt produsenten for reparasjoner ved behov.
- Ved langvarig lagring må batteriet fullades hvert halvår for å bevare batterikvaliteten. Hvis ikke kan det oppstå skader.
- Bruk batterier levert av en godkjent produsent. Se produktspesifikasjonene for detaljer om batterikrav.
- FORSIKTIG: Det kan oppstå eksplosjonsfare hvis batteriet blir skiftet ut med feil type batteri.
- Uriktig erstatning av batteriet med feil type, kan ødelegge en sikkerhetsinnretning (ved f.eks. enkelte litiumbatterityper).
- Batteriet må ikke kastes i ild eller en varm ovn, og det må heller ikke knuses eller deles da dette kan føre til en eksplosjon.
- Batteriet må ikke utsettes for ekstremt høy temperatur. Det kan forårsake eksplosjon eller lekkasje av brennbar væske eller gass.
- Batteriet må ikke utsettes for ekstremt lavt lufttrykk. Det kan forårsake eksplosjon eller lekkasje av brennbar væske eller gass.
- Kast brukte batterier i samsvar med instruksjonene.

Vedlikehold

- Hvis produktet ikke fungerer som det skal, må du kontakte forhandleren eller nærmeste servicesenter. Vi har ikke noe som helst ansvar for problemer forbundet med uautorisert reparasjon eller vedlikehold.
- Tørk forsiktig av enheten med en ren klut og en liten mengde etanol ved behov.
- Hvis enheten brukes på måter som ikke støttes av produsenten, kan enheten og funksjonene dens forringes.

Bruksomgivelser

- Sørg for at bruksomgivelsene oppfyller kravene til enheten. Driftstemperaturen skal være

-20 °C til 55 °C (-4 °F til 131 °F), og luftfuktigheden skal være 95 % eller mindre.

- IKKE eksponer enheten for høy elektromagnetisk stråling eller støvete miljøer.
- Linsen må IKKE rettes mot solen eller andre sterke lyskilder.

Nød

- Hvis det kommer røyk, lukt eller støy fra enheten, må du øyeblikkelig skru av strømmen, trekke ut strømledningen og kontakte et servicesenter.

Produsentens adresse

Rom 313, enhet B, bygning 2, 399 Danfeng-veien, Xixing Subdistrict, Binjiang-distriktet, Hangzhou, Zhejiang 310052, Kina
Hangzhou Microimage Software Co., Ltd.

MERKNAD OM SAMSVAR: Produktene i termoserien kan bli underlagt eksportkontroller i forskjellige land eller regioner, inkludert, uten begrensning, USA, Den europeiske union, Storbritannia og Nord-Irland og/eller andre medlemsland i Wassenaar-avtalen. Snakk med din profesjonelle juridiske ekspert eller samsvareksperter, eller lokale myndigheter for eventuelle nødvendige eksportlisenskrav hvis du ønsker å overføre, eksportere, re-eksportere termoserie-produkter mellom forskjellige land.

Suomi

1 Lyhyt kuvaus

Kannettava monokulaarinen lämpökamera on kannettava laite, jossa on valvontatoimintoja, korkeimman lämpötilan omaavan kohteen seuranta, etäisyyden mittaus, Wi-Fi-yhteyspiste jne. Erittäin herkkä, sisäänrakennettu lämpöilmaisimien mahdollistaa selkeän näytön myös täydellisessä pimeydessä. Laitetta käytetään pääasiassa ulkoympäristössä, kuten metsästyksessä, etsintä- ja pelastustehtävissä, vaelluksessa, matkustuksessa jne.

Laitteella voidaan ottaa tilannekuvia, tallentaa videoita ja asettaa parametreja HIKMICRO Sight -sovelluksella sen jälkeen, kun yhteyspisteeseen kautta on muodostettu yhteys puhelimeen.

Lataa sovellus etsimällä HIKMICRO Sight -nimellä App Storesta (iOS-järjestelmä) tai Google Play™ -kaupasta (Android-järjestelmä) tai skannaa QR-koodi ja lataa ja asenna sovellus.



Android-käyttöjärjestelmä

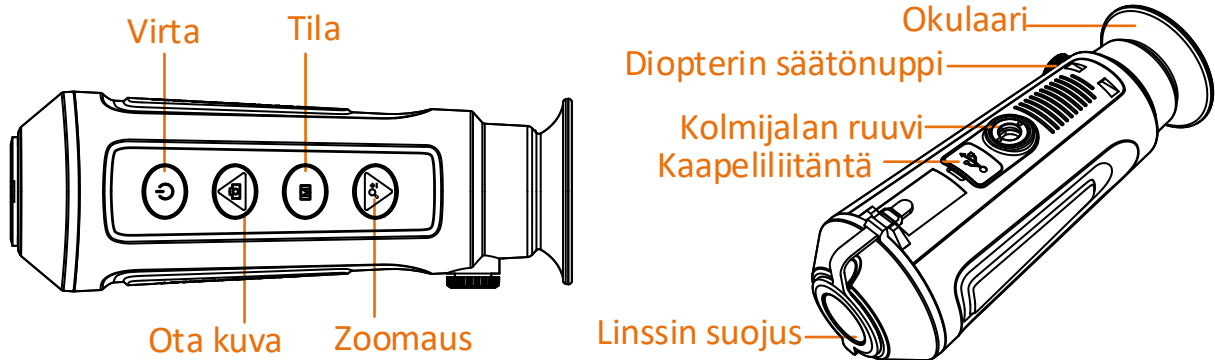


iOS-käyttöjärjestelmä

Tähän radiolaitteeseen sovellettavat taajuuskaistat ja -tilat sekä lähetetyn tehon (säteilevän ja/tai voimalinjaperäisen) nimellisrajat ovat seuraavat:

Wi-Fi 2,4 GHz (2,4–2,4835 GHz)	20 dBm
--------------------------------	--------

2 Ulkoasu



Painike

Kuvake	Painike	Toiminto
	Virta	Paina: valmiustila / aktivoi laite Pidä painettuna: virta päälle/pois
	Tila	Paina: väripaletit Pidä painettuna: valikko
	Ota kuva	Paina: ota kuva Pidä painettuna: taltiointi
	Zoomaus	Paina: digitaalinen zoomaus Pidä painettuna: FFC

Liitäntä

- Linssin suojuus: suojaa linssiä pölyltä tai naarmuilta.
- Diopterin säätönappi: säätää näkymän likinäköisyytesi mukaan.
- Kaapeliliitäntä: mahdollistaa laitteen akun lataamisen tai tiedostojen viemisen mukana toimitetun USB-kaapelin avulla.
- Kolmijalan ruuvi: liitetään kolmijalkaan.

3 Laitteen lataaminen

Kun laite käynnistyy, kuvaruutunäytössä (OSD) näkyy akun varaustila. Jos akun varaus on alhainen, lataa laite ja varmista, että se toimii oikein.

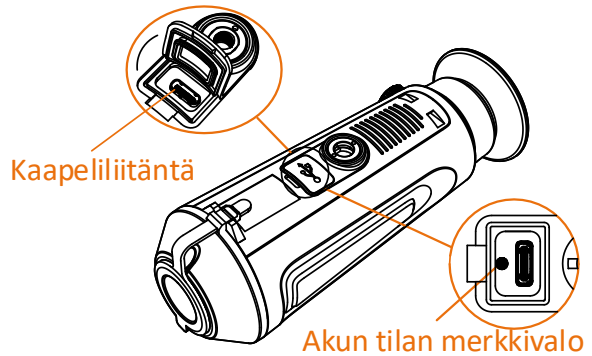
Ennen käynnistystä

- Latauslämpötilan on oltava 0–45 °C.

- Lataa laite mukana toimitetun USB-kaapelin avulla.

Vaiheet

1. Avaa USB-liitännän kansi.
2. Liitä USB-kaapeli ja lataa laite.
 - Vilkkuva punainen ja vihreä: on tapahtunut virhe.
 - Jatkuvasti palava punainen: akkua ladataan oikein.
 - Jatkuvasti palava vihreä: akku on ladattu täyteen.
 - Pois: akkua ei ladata.



Käyttöopas



Oikeudelliset tiedot

©2022 Hangzhou Microimage Software Co., Ltd. Kaikki oikeudet pidätetään.

Tietoa käyttöohjeesta

Käyttöohjeessa on ohjeita tuotteen käyttämiseen ja hallintaan liittyen. Kuvat, kaaviot ja muut tiedot ovat tästä eteenpäin ainoastaan kuvaus- ja selitystarkoituksiin. Käyttöohjeen sisältämiä tietoja voidaan muuttaa ilman erillistä ilmoitusta laiteohjelmiston päivityksen vuoksi tai muusta syystä. Etsi tämän käyttöoppaan viimeisin versio HIKMICRO-verkkosivustolta (www.hikmicrotech.com/).

Käytä tätä käyttöopasta ohjeena ja tuotteen käyttöön koulutettujen ammattilaisten apuna.

Tavaramerkkien tunnustaminen



HIKMICRO

ja muut HIKMICRO-yhtiön tavaramerkit ja logot ovat HIKMICRO-yhtiön

omaisuutta eri lainkäyttöalueilla.

Muut mainitut tavaramerkit ja logot ovat omistajiensa omaisuutta.

VASTUUVAPAUSLAUSEKE

TÄMÄ KÄYTTÖOPAS JA KUVATTU TUOTE (SISÄLTÄÄ LAITTEISTON, OHJELMISTON JA LAITEOHJELMISTON) TOIMITETAAN SELLAISENAAN KAIKKINE VIKOINEEN JA VIRHEINEEN SIINÄ MÄÄRIN KUIN SOVELLETTAVAT LAIT SEN SALLIVAT. HIKMICRO EI ANNA MITÄÄN NIMEENOMAISIA TAI EPÄSUORIA TAKUITA, MUKAAN LUKIEN NÄIHIN KUITENKAAN RAJOITTUMATTA, MYYNTIKELPOISUUS, TYYDYTTÄVÄ LAATU TAI SOVELTUVUUS TIETTYYN KÄYTTÖTARKOITUKSEEN. TUOTTEEN KÄYTTÖ ON TÄYSIN OMALLA VASTUULLASI. HIKMICRO EI OLE MISSÄÄN TAPAUKSESSA VASTUUSSA SINULLE MISTÄÄN TUOTTEEN KÄYTTÄMISEEN LIITTYVISTÄ ERITYISISTÄ,

SEURAAMUKSELLISISTA, TAHATTOMISTA TAI EPÄSUORISTA VAHINGOISTA, MUKAAN LUKIEN MUIDEN LISÄKSI LIIKETOIMINNAN TUOTON MENETTÄMINEN, LIIKETOIMINNAN KESKEYTYMINEN, TIETOJEN MENETTÄMINEN, JÄRJESTELMIEN VAHINGOITTUMINEN, DOKUMENTAATION MENETTÄMINEN, RIIPPUMATTA SIITÄ, ONKO KYSEESSÄ SOPIMUSRIKKOMUS, VAHINKO (MUKAAN LUKIEN HUOLIMATTOMUUS), TUOTEVASTUUS TAI MUU, VAIKKA HIKMICROLLE OLISI ILMOITETTU NÄIDEN VAHINKOJEN TAI MENETysten MAHDOLLISUUDESTA.

HYVÄKSYT, ETTÄ INTERNET SISÄLTÄÄ LUONNOSTAAN TIETOTURVARISKEJÄ, EIKÄ HIKMICRO OLE VASTUUSSA EPÄNORMAALISTA TOIMINNASTA, YKSITYISTIETOJEN VUOTAMISESTA TAI MUISTA VAHINGOISTA, JOTKA JOHTUVAT TIETOVERKKOHYÖKKÄYKSISTÄ, HAKKERIHYÖKKÄYKSISTÄ, VIRUSTARTUNNASTA TAI MUISTA TIETOTURVARISKEISTÄ, MUTTA HIKMICRO TARJOAA TARVITTAESSA TEKNISTÄ TUKEA.

SUOSTUT KÄYTTÄMÄÄN TÄTÄ TUOTETTA KAIKKIEN SOVELLETTAVISSA OLEVIEN LAKIEN MUKAISESTI, JA OLET YKSIN VASTUUSSA SEN VARMISTAMISESTA, ETTÄ KÄYTTÖSI NOUDATTA SOVELLETTAVISSA OLEVAA LAKIA. OLET ERITYISESTI VASTUUSSA TÄMÄN TUOTTEEN KÄYTTÄMISESTÄ SELLAISELLA TAVALLA, ETTÄ KÄYTTÖ EI RIKO KOLMANSIEN OSAPUOLTEN OIKEUKSIA, MUKAAN LUKIEN MUTTA NÄIHIN RAJOITTUMATTA, JULKAISUOIKEUS, IMMATERIAALIOIKEUDET TAI TIETOSUOJA JA MUUT YKSITYISYYDEN SUOJAT. SINULLA EI OLE LUPAA KÄYTTÄÄ TÄTÄ LAITETTA LAITTOOMAAN METSÄSTYKSEEN, YKSITYISYYDEN LOUKKAAMISEEN TAI MUIHIN LAITTOMIIN TAI HAITALLISESTI YLEISEEN ETUUN VAIKUTTAVIIN TARKOITUKSIIN. SINULLA EI OLE LUPAA KÄYTTÄÄ TÄTÄ TUOTETTA MIHINKÄÄN KIELLETTYYN TARKOITUKSEEN, MUKAAN LUKIEN JOUKKOTUHOASEIDEN KEHITYS TAI TUOTANTO, KEMIAALLISTEN TAI BIOLOGISTEN ASEIDEN KEHITYS TAI TUOTANTO TAI MIHINKÄÄN TOIMINTOIHIN, JOTKA LIITTYVÄT MIHINKÄÄN YDINASEESEEN TAI VAARALLISEEN YDINPOLTTOAINEKIERTOON TAI IHMISOIKEUKSIEN RIKKOMISEN TUKEMISEEN.

MIKÄLI TÄMÄ KÄYTTÖOPAS JA SOVELLETTAVA LAKI OVAT RISTIRIIDASSA, SOVELLETAAN JÄLKIMMÄISTÄ.

Sääntelyä koskevat tiedot

Näitä lausekkeita sovelletaan ainoastaan tuotteisiin, joissa on vastaava merkki tai tieto.

EU-vaatimustenmukaisuusvakuutus



Tämä tuote ja sen lisälaitteet, mikäli käytössä, on merkitty CE-merkinnällä, ja ne täyttävät sovellettavat yhdenmukaistetut eurooppalaiset standardit, jotka on lueteltu direktiivissä 2014/53/EU (RED), direktiivissä 2014/30/EU (EMCD), direktiivissä 2014/35/EU (LVD), direktiivissä 2011/65/EU (RoHS).



Direktiivi 2012/19/EU (WEEE-direktiivi): Tällä symbolilla merkityjä tuotteita ei saa hävittää lajittelemattoman yhdyskuntajätteen mukana Euroopan unionissa. Kierrätä tuote asianmukaisesti palauttamalla se paikalliselle myyjälle vastaavan uuden laitteen hankkimisen yhteydessä tai viemällä se asianmukaiseen keräyspisteeseen. Lue lisää osoitteesta www.recyclethis.info



Direktiivi 2006/66/EY ja sen muutosdirektiivi 2013/56/EU (paristodirektiivi): Tässä tuotteessa on paristo tai akku, jota ei saa hävittää lajittelemattoman yhdyskuntajätteen mukana Euroopan unionissa. Lisätietoja paristosta tai akusta on tuotteen asiakirjoissa. Paristo tai akku on merkitty tällä symbolilla, ja siihen voi sisältyä käytetyn aineen eli kadmiumin (Cd), lyijyn (Pb) tai elohopean (Hg)

kirjainmerkintä. Kierrätä paristo tai akku asianmukaisesti viemällä se myyjälle tai asianmukaiseen keräyspisteeseen. Lisätietoja: www.recyclethis.info.

Turvallisuusohjeet

Näiden ohjeiden tarkoituksena on varmistaa, että käyttäjä voi käyttää laitetta oikein ja välttää vaaratilanteet tai omaisuusvahingot.

Lait ja määräykset

- Tuotteen käytössä on noudatettava tarkasti paikallisia sähköturvallisuusmääräyksiä.

Kuljetus

- Säilytä laitetta alkuperäispakkauksessaan tai sitä vastaavassa pakkauksessa, kun kuljetat sitä.
- Säilytä kaikki pakkaukset myöhempää käyttöä varten. Jos laitteeseen tulee vika, laite on palautettava tehtaalte alkuperäispakkauksessaan. Kuljettaminen muussa kuin alkuperäispakkauksessa voi johtaa laitteen vahingoittumiseen, eikä yritys ota siitä mitään vastuuta.
- Älä pudota tuotetta tai altista sitä iskuille. Pidä laite loitolla magneettisten häiriöiden lähteistä.

Virtalähde

- Tulojännitteen on vastattava LPS-virtalähteelle (5 V DC, 2 A) asetettuja vaatimuksia IEC62368-1 -standardin mukaisesti. Lisätietoa on tuotteen teknisissä tiedoissa.
- Varmista, että pistoke on liitetty oikein pistorasiaan.
- ÄLÄ liitä useita laitteita samaan virtasovittimeen ylikuormituksesta aiheutuvan tulipalovaaran välttämiseksi.
- Käytä pätevän valmistajan toimittamaa virtasovittinta. Tuotteen teknisissä tiedoissa on lisätietoa virtaa koskevista vaatimuksista.

Akku

- Sisäänrakennettua akkua ei voi irrottaa. Ota yhteyttä valmistajaan, jos se vaatii korjauksia.
- Kun akkua varastoidaan pitkän aikaa, varmista, että se ladataan täyteen puolen vuoden välein. Näin varmistetaan akun suorituskyvyn säilyminen. Muuten voi syntyä vahinkoja.
- Käytä pätevän valmistajan toimittamaa akkua. Tuotteen teknisissä tiedoissa on lisätietoa akkua koskevista vaatimuksista.
- HUOMIO: Räjähdyksenvaara, jos akku vaihdetaan väärän tyyppiseen.
- Akun vaihtaminen väärän tyyppiseen voi tehdä suojaukset tehottomiksi (esimerkiksi tietyillä litiumakkutyypeillä).
- Älä hävitä akkua tuleen tai kuumaan uuniin tai murskaa tai leikkaa akkua mekaanisesti, sillä ne voivat aiheuttaa räjähdysvaaran.
- Älä jätä akkua erittäin korkean lämpötilan ympäristöön, sillä se voi aiheuttaa räjähdysvaaran tai syttyvän nesteen tai kaasun vuotamisen.
- Älä altista akkua erittäin matalalle ilmanpaineelle, sillä se voi aiheuttaa räjähdysvaaran tai syttyvän nesteen tai kaasun vuotamisen.
- hävitä käytetyt paristot ja akut ohjeiden mukaisesti.

Kunnossapito

- Jos tuote ei toimi oikein, ota yhteys jälleenmyyjään tai lähimpään huoltokeskukseen. Emme ole vastuussa ongelmista, jotka johtuvat luvattomista korjaus- tai huoltotöistä.
- Pyyhi laitteen pinnat varovaisesti puhtaalla liinalla ja tarvittaessa pienellä määrällä etanolia.
- Jos laitetta käytetään muulla kuin valmistajan määrittämällä tavalla, laitteen tarjoama suojaus saattaa heikentyä.

Käyttöympäristö

- Varmista, että käyttöympäristö täyttää laitteelle määritetyt vaatimukset. Käyttölämpötilan on oltava -20–55 °C ja käyttöpaikan ilmankosteus saa olla enintään 95 %.
- ÄLÄ altista laitetta suurelle sähkömagneettiselle säteilylle tai pölyiselle ympäristölle.
- ÄLÄ suuntaa objektiivia aurinkoon tai muuhun kirkkaaseen valoon.

Hätä

- Jos laitteesta erittyy savua tai hajua tai laite pitää ääntä, kytke laitteen virta pois päältä, irrota virtajohto ja ota yhteyttä palvelukeskukseen.

Valmistajan osoite

Huone 313, yksikkö B, rakennus 2, 399 Danfeng-tie, Xixing-alapiirikunta, Binjiang-piirikunta, Hangzhou, Zhejiang 310052, Kiina
Hangzhou Microimage Software Co., Ltd.

VAATIMUSTENMUKAISUUSILMOITUS: Lämpöteknologiatuotteisiin saattaa kohdistua vientivalvontaa eri maissa tai alueilla, mukaan lukien rajoituksetta Yhdysvallat, Euroopan unioni, Yhdistynyt kuningaskunta ja/tai muut Wassenaarin järjestelyn jäsenmaat. Neuvottele oikeudellisen asiantuntijan tai vaatimustenmukaisuusasiantuntijan tai paikallisen viranomaisen kanssa saadaksesi tietoja vientilupavaatimuksista, jos aiot siirtää, viedä tai jälleenviedä lämpöteknologiatuotteita eri maihin.

Svenska

1 Kort beskrivning

Den handhållna termiska tubkameran är en handhållen enhet med funktioner för observation, spårning av högsta temperatur, avståndsmätning, surfpunkt för Wi-Fi, med mera. Den inbyggda termiska detektorn med hög känslighet ger dig en tydlig bild även i totalt mörker. Enheten används främst för utomhusscenario som jakt, sökning och räddning, vandring och resor.

Enheten kan ta stillbilder, spela in video och ställa in parametrar med appen HIKMICRO Sight efter anslutning till din telefon via surfpunkten. Sök efter HIKMICRO Sight på App Store (iOS-system) eller Google Play™ (Android-system) för att ladda ned den, eller skanna QR-koden för att ladda ned och installera appen.



Android-system

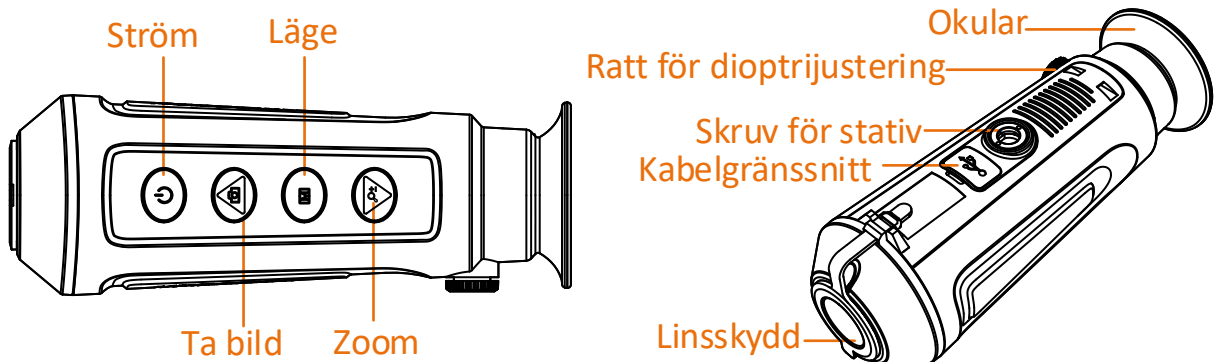


iOS-system

Följande frekvensband, lägen och nominella begränsningar av sändareffekt (utstrålad och/eller kopplad) gäller för denna radioenhet:

Wi-Fi 2,4 GHz (2,4 till 2,4835 GHz)	20 dBm
-------------------------------------	--------

2 Utseende



Knapp

Symbol	Knapp	Funktion
	Ström	Tryck: viloläge/aktivera enhet Håll intryckt: starta/stäng av
	Läge	Tryck: paletter Håll intryckt: meny
	Ta bild	Tryck: registrera Håll intryckt: inspelning
	Zoom	Tryck: digital zoom Håll intryckt: FFC

Gränssnitt

- Linsskydd: skydda objektivet från damm och repor.
- Ratt för dioptrijustering: justera bilden utifrån din grad av närsynthet.
- Kabelgränssnitt: ladda enheten eller exportera filer med den medföljande USB-kabeln.
- Skruv för stativ: ansluten till stativ.

3 Ladda enhet

När enheten har startat visas batteristatusen på OSD (skärmmenyn). När batterinivån är låg, ladda enheten och säkerställ att den fungerar korrekt.

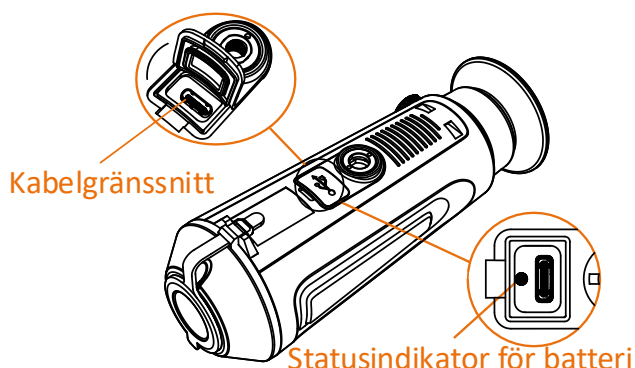
Innan du börjar

- Laddningstemperaturen bör vara från 0 till 45 °C.
- Ladda enheten med den medföljande USB-kabeln.

Steg

1. Lyft USB-locket.
2. Anslut USB-kabeln och ladda enheten.

- Blinkar rött och grönt: ett fel har inträffat.
- Fast rött sken: fast rött sken: batteriet laddas.
- Fast grönt sken: batteriet är fulladdat.
- Av: enheten laddas inte.



Bruksanvisning



Juridisk information


©2022 Hangzhou Microimage Software Co., Ltd. Alla rättigheter förbehålles.

Om bruksanvisningen

Bruksanvisningen innehåller anvisningar för användning och underhåll av produkten. Bilder, diagram och illustrationer och all annan övrig information är enbart avsedda som beskrivningar och förklaringar. Informationen i bruksanvisningen kan, utan föregående meddelande, komma att ändras, vid uppgradering av fast programvara eller av andra skäl. Den senaste versionen av bruksanvisningen finns på HIKMICRO:s webbplats (www.hikmicrotech.com/).

Använd bruksanvisningen tillsammans med vägledning och assistans från yrkespersoner som utbildats i att ge stöd för produkten.

Deklaration avseende varumärken

 **HIKMICRO** och övriga av HIKMICRO:s varumärken och logotyper tillhör HIKMICRO i olika jurisdiktioner.

Andra varumärken och logotyper som omnämns tillhör respektive ägare.

ANSVARFRISKRIVNING

BRUKSANVISNINGEN OCH DEN PRODUKT SOM BESKRIVS, MED DESS HÅRDVARA, MJUKVARA OCH FIRMWARE TILLHANDAHÅLLES "I BEFINTLIGT SKICK" OCH "MED ALLA FEL OCH BRISTER" SÅ LÅNGT DETTA ÄR TILLÅTET ENLIGT TILLÄMPLIG LAGSTIFTNING. HIKMICRO UTFÄRDAR INGA GARANTIER, VARKEN UTTRYCKLIGA ELLER UNDERFÖRSTÅDDA, INKLUDERANDE UTAN BEGRÄNSNING, FÖR SÄLJBARHET, TILLFREDSSTÄLLANDE KVALITET ELLER LÄMPLIGHET FÖR ETT VISST ÄNDAMÅL. ANVÄNDNING AV PRODUKTEN SKER HELT PÅ EGEN RISK. DU SKA INTE UNDER NÅGRA OMSTÄNDIGHETER HÅLLA HIKMICRO ANSVARIGA FÖR NÅGRA SÄRSKILDA SKADOR, FÖLJDSKADOR

ELLER INDIREKTA SKADOR, INKLUSIVE, BLAND ANNAT SKADESTÅND FÖR FÖRLORAD AFFÄRSVINST, VERKSAMHETSSTÖRNING, FÖRLUST AV DATA ELLER DOKUMENTATION, OAVSETT OM DETTA BASERAS PÅ AVTALSBROTT, ÅTALBAR HANDLING (INKLUSIVE FÖRSUMLIGHET), PRODUKTANSVAR ELLER ANNAT I SAMBAND MED ANVÄNDNINGEN AV PRODUKTEN, ÄVEN OM HIKMICRO HAR MEDDELATS ATT RISKEN FÖR SÅDANA SKADOR ELLER FÖRLUSTER FÖRELIGGER.

DU BEKRÄFTAR ATT INTERNETS NATUR INNEBÄR INBYGGDA SÄKERHETSRISKER OCH HIKMICRO TAR INGET ANSVAR FÖR ONORMAL ANVÄNDNING, INTEGRITETSLÄCKOR ELLER ANDRA SKADOR SOM ORSAKAS AV CYBERATTACKER, HACKERATTACKER, VIRUSANGREPP ELLER ANDRA SÄKERHETSRISKER MED INTERNET. HIKMICRO KOMMER DOCK ATT TILLHANDAHÅLLA LÄMPLIG TEKNISK SUPPORT OM SÅ KRÄVS.

DU ACCEPTERAR ATT ANVÄNDA PRODUKTEN I ENLIGHET MED ALLA TILLÄMPLIGA LAGAR OCH DU ÄR ENSAMT ANSVARIG FÖR ATT SÄKERSTÄLLA ATT DIN ANVÄNDNING EFTERLEVER TILLÄMPLIGA LAGAR. DU ÄR I SYNNERHET ANSVARIG FÖR ATT ANVÄNDA PRODUKTEN PÅ ETT SÅDANT SÄTT ATT DEN INTE INKRÄKTAR PÅ NÅGRA RÄTTIGHETER SOM ÄGS AV TREDJE PART, INKLUSIVE UTAN BEGRÄNSNING, RÄTTEN TILL PUBLICERING, IMMATERIELLA RÄTTIGHETER, SAMT DATASKYDD OCH ANDRA INTEGRITETSRÄTTIGHETER. DU FÅR INTE ANVÄNDA PRODUKTEN FÖR ILLEGAL JAKT AV DJUR, INTEGRITETSKRÄNKNING ELLER ANDRA ÄNDAMÅL SOM ÄR OLAGLIGA ELLER SKADLIGA FÖR ALLMÄNNA INTRESSEN. DU FÅR INTE ANVÄNDA PRODUKTEN FÖR NÅGRA FÖRBJUDNA SLUTANVÄNDNINGAR, INKLUSIVE UTVECKLING ELLER PRODUKTION AV MASSFÖRSTÖRELSEVAPEN, UTVECKLING ELLER PRODUKTION AV KEMISKA ELLER BIOLOGISKA STRIDSMEDEL, ELLER NÅGRA AKTIVITETER SOM ÄR RELATERADE TILL NUKLEÄRA SPRÄNGMEDEL ELLER OSÄKRA NUKLEÄRA BRÄNSLECYKLER, ELLER SOM STÖD FÖR ÖVERGREPP AV MÄNSKLIGA RÄTTIGHETER.

I DE FALL INNEHÅLLET I BRUKSANVISNINGEN STÅR I KONFLIKT MED TILLÄMPLIGA LAGAR, GÄLLER DE SISTNÄMNDA.

Föreskrifter

Dessa villkor gäller endast för de produkter som räknar med motsvarande märke eller information.

Deklaration om EU-överensstämmelse



Den här produkten och, om tillämpligt, även de medföljande tillbehören är CE-märkta och överensstämmer därför med tillämpliga harmoniserade europeiska standarder i direktivet 2014/53/EG (RED), direktivet 2014/30/EG (EMC), direktivet 2014/35/EG (LVD) och direktivet 2011/65/EG (RoHS).



Direktiv 2012/19/EU (WEEE-direktivet): Produkter märkta med denna symbol får inte kastas som osorterat hushållsavfall inom EU. För lämplig återvinning ska produkten återlämnas till din lokala återförsäljare vid inköp av motsvarande ny utrustning eller lämnas in på en särskild återvinningsstation. Mer information finns på: www.recyclethis.info.



Direktiv 2006/66/EC och dess tillägg 2013/56/EU (batteridirektivet): Produkten innehåller ett batteri som inte får avfallshanteras som osorterat hushållsavfall inom EU. Se produktdokumentationen för specifik information om batteriet. Batteriet är märkt med denna symbol som kan innehålla bokstäver för att indikera kadmium (Cd), bly (Pb) eller kvicksilver (Hg). Batteriet ska återlämnas till din återförsäljare eller lämnas in på en särskild återvinningsstation, för korrekt

återvinning. Mer information finns på: www.recyclethis.info.

Säkerhetsanvisningar

Anvisningarna är avsedda att säkerställa att användaren kan använda produkten på korrekt sätt för att undvika fara eller förlust av egendom.

Lagar och regler

- Användningen av produkten måste följa lokala elsäkerhetsbestämmelser.

Transport

- Förvara enheten i ursprungsförpackningen eller en liknande förpackning vid transport.
- Behåll allt emballagematerial efter att det packats upp för framtida användning. Vid eventuella fel måste du returnera enheten till fabriken med det ursprungliga emballagematerialet. Transport utan det ursprungliga emballagematerialet kan resultera i att enheten skadas och företaget påtar sig inget ansvar.
- Produkten får inte tappas eller utsättas för fysiska stötar. Håll enheten borta från magnetiska störningar.

Strömförsörjning

- Inspänningen måste uppfylla specifikationerna för en begränsad strömkälla (5 VDC, 2 A) enligt standarden IEC62368-1. Se de tekniska specifikationerna för detaljerad information.
- Kontrollera att kontakten är ordentligt ansluten till eluttaget.
- Anslut inte flera enheter till en och samma strömadapter, för att undvika överhettning eller brandfara som orsakas av överbelastning.
- Använd nätadaptorn som tillhandahålls av den kvalificerade tillverkaren. Se produktspecifikationen för detaljerade effektbehov.

Batteri

- Det inbyggda batteriet kan inte tas bort. Kontakta tillverkaren för reparation om så behövs.
- Säkerställ vid långtidsförvaring av batteriet att det laddas upp helt en gång i halvåret så att batteriets kvalitet bevaras. Annars kan skador uppstå.
- Använd ett batteri från en godkänd tillverkare. Se produktspecifikationen för detaljerade krav på batteriet.
- FÖRSIKTIGHET! Risk för explosion om batteriet ersätts med en felaktig typ.
- Ersättning av batteriet med en felaktig typ kan kringgå en skyddsfunktion (exempelvis med vissa typer av litiumbatterier).
- Batteriet får inte kastas på en öppen eld eller i en varm ugn eller krossas och skäras, då detta kan orsaka en explosion.
- Batteriet får inte lämnas i en miljö med extremt höga temperaturer, då detta kan medföra explosion och/eller läckage av brännbar vätska eller gas.
- Batteriet får inte utsättas för extremt lågt lufttryck, då detta kan resultera i en explosion och/eller läckage av brännbar vätska eller gas.
- Förbrukade batterier ska avfallshanteras i enlighet med anvisningarna.

Underhåll

- Kontakta din återförsäljare eller närmaste servicecenter, om produkten inte fungerar som den ska. Vi åtar oss inget ansvar för problem som orsakats av obehörig reparation eller obehörigt underhåll.
- Torka försiktigt av enheten med en ren trasa och en liten mängd etanol, vid behov.
- Om utrustningen används på ett sätt som inte anges av tillverkaren kan det skydd som ges av enheten försämrats.

Användningsmiljö

- Se till att driftmiljön motsvarar enhetens krav. Driftstemperaturen bör vara -20 °C till 55 °C och luftfuktigheten 95 % eller lägre.
- Enheten får inte utsättas kraftig elektromagnetisk strålning eller dammiga miljöer.
- Objektivet får inte riktas mot solen eller andra starka ljuskällor.

Nöd

- Om det kommer rök, lukt eller oljud från enheten, stäng omedelbart av strömmen, koppla från strömkabeln och kontakta servicecentret.

Tillverkarens adress

Rum 313, Enhet B, Byggnad 2, 399 Danfengvägen, Underdistriktet Xixing, Distriktet Binjiang, Hangzhou, Zhejiang 310052, Kina
Hangzhou Microimage Software Co., Ltd.

FÖRSÄKRAN OM ÖVERENSSTÄMMELSE: Produkter i den termiska serien kan vara föremål för exportkontroller i olika länder eller regioner, inklusive utan begränsning, USA, Europeiska unionen, Förenade kungariket och/eller andra länder som skrivit under Wassenaar-avtalet. Rådgör med en professionell juridisk konsult, en expert på regelefterlevnad eller lokala myndigheter avseende krav på exportlicenser om du har för avsikt att överföra, exportera eller vidareexportera produkter i den termiska serien mellan olika länder.

Русский

1. Краткое описание

Портативная тепловизионная монокулярная камера представляет собой переносное устройство с функциями наблюдения, отслеживания объектов с самой высокой температурой, измерения расстояния, с точкой доступа Wi-Fi и т. д. Высокочувствительный встроенный тепловой датчик обеспечивает четкое изображение даже в полной темноте. Это устройство обычно используется на охоте, во время спасательных операций, пеших прогулок, путешествий и в других видах активного отдыха.

После подключения устройства к телефону через точку доступа вы сможете делать снимки, записывать видео и настраивать параметры с помощью приложения HIKMICRO Sight.

Скачайте приложение HIKMICRO Sight в App Store (iOS) или Google Play™ (Android). Чтобы скачать и установить это приложение, вы также можете просто отсканировать QR-код.



Система Android



Система iOS

Настоящее радиоустройство имеет следующие частотные диапазоны, режимы и номинальные пределы излучаемой мощности (электромагнитной и/или кондуктивной):

Wi-Fi 2.4 ГГц (от 2,4 ГГц до 2,4835 ГГц)	20 дБм
--	--------

2. Внешний вид



Кнопка

Иконка	Кнопка	Функционирование
	Питание	Нажатие: дежурный режим / режим запуска устройства Удерживание: вкл/выкл питания
	Режим	Нажатие: палитры цветов Удерживание: меню
	Съемка	Нажатие: захват Удерживание: запись
	Зум (Масштабирование)	Нажатие: цифровой зум Удерживание: FFC (коррекция ровной поверхности)

Интерфейс

- Крышка объектива: защищает объектив от пыли и царапин.
- Диоптрийный регулятор: настройка изображения в соответствии с

вашиими особенностями зрения.

- Кабельный интерфейс: заряжает устройство или экспортирует файлы с помощью поставляемого USB-кабеля.
- Винт штатива: для крепления штатива.

3. Зарядка устройства

После запуска устройства на экранном меню отображается состояние батареи. Если уровень заряда батареи низкий, зарядите устройство и убедитесь в том, что оно правильно работает.

Перед началом работы

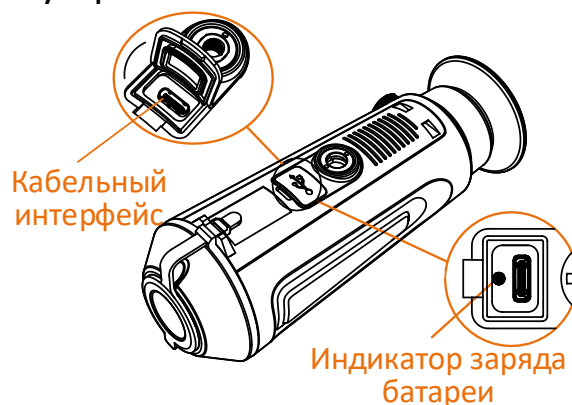
- Температура во время зарядки должна находиться в диапазоне от 0°C до 45°C.
- Зарядите устройство с помощью поставляемого USB-кабеля.

Порядок действий

1. Поднимите крышку для подключения USB-кабеля.

2. Подключите USB-кабель и зарядите устройство.

- Мигание красным и зеленым цветом: произошла ошибка.
- Горит красным цветом: батарея заряжается надлежащим образом.
- Горит зеленым цветом: батарея полностью заряжена.
- ВЫКЛ: батарея не заряжается надлежащим образом.



Руководство пользователя



Нормативно-правовая информация

©2022, Hangzhou Microimage Software Co., Ltd. Все права защищены.
О данном Руководстве

В Руководстве содержатся инструкции по эксплуатации Изделия. Фотографии, схемы, иллюстрации и прочие материалы приведены исключительно в качестве описаний и пояснений. Информация, приведенная в Руководстве, может быть изменена без предварительного уведомления в связи с обновлением микропрограммы или по другим причинам. Последнюю редакцию настоящего Руководства можно найти на веб-сайте компании HIKMICRO (www.hikmicrotech.com/).

Используйте Руководство под наблюдением специалистов, обученных обслуживанию Изделия.

Признание товарных знаков



и все другие торговые марки и логотипы HIKMICRO являются

собственностью компании HIKMICRO в различных юрисдикциях.

Другие товарные знаки и логотипы, упоминаемые в Руководстве, являются собственностью соответствующих владельцев.

ЗАЯВЛЕНИЕ ОБ ОГРАНИЧЕНИИ ОТВЕТСТВЕННОСТИ

В МАКСИМАЛЬНОЙ СТЕПЕНИ, РАЗРЕШЕННОЙ ДЕЙСТВУЮЩИМ ЗАКОНОДАТЕЛЬСТВОМ, ДАННОЕ РУКОВОДСТВО И ОПИСАНИЕ ИЗДЕЛИЯ ВМЕСТЕ С АППАРАТНОЙ ЧАСТЬЮ, ПРОГРАММНЫМ ОБЕСПЕЧЕНИЕМ И ВСТРОЕННОЙ МИКРОПРОГРАММОЙ ПРЕДОСТАВЛЯЕТСЯ ПО ПРИНЦИПУ «КАК ЕСТЬ» И «СО ВСЕМИ НЕПОЛАДКАМИ И ОШИБКАМИ». HIKMICRO НЕ ДАЕТ НИКАКИХ ЯВНЫХ ИЛИ ПОДРАЗУМЕВАЕМЫХ ГАРАНТИЙ, В ТОМ ЧИСЛЕ ГАРАНТИЙ ТОВАРНОЙ ПРИГОДНОСТИ, УДОВЛЕТВОРИТЕЛЬНОГО КАЧЕСТВА ИЛИ ПРИГОДНОСТИ ДЛЯ КОНКРЕТНЫХ ЦЕЛЕЙ. ПОТРЕБИТЕЛЬ ИСПОЛЬЗУЕТ ИЗДЕЛИЕ НА СВОЙ СТРАХ И РИСК. НИ ПРИ КАКИХ ОБСТОЯТЕЛЬСТВАХ КОМПАНИЯ HIKMICRO НЕ НЕСЕТ ОТВЕТСТВЕННОСТИ ПЕРЕД ПОТРЕБИТЕЛЕМ ЗА КАКОЙ-ЛИБО СЛУЧАЙНЫЙ ИЛИ КОСВЕННЫЙ УЩЕРБ, ВКЛЮЧАЯ, СРЕДИ ПРОЧЕГО, УБЫТКИ ИЗ-ЗА ПОТЕРИ ПРИБЫЛИ, ПЕРЕРЫВОВ В ДЕЯТЕЛЬНОСТИ, ПОТЕРИ ДАННЫХ ИЛИ ДОКУМЕНТАЦИИ, ПОВРЕЖДЕНИЯ СИСТЕМ, БУДЬ ТО ПО ПРИЧИНЕ НАРУШЕНИЯ ДОГОВОРА, ПРОТИВОПРАВНЫХ ДЕЙСТВИЙ (В ТОМ ЧИСЛЕ ХАЛАТНОСТИ), УЩЕРБА ВСЛЕДСТВИЕ ИСПОЛЬЗОВАНИЯ ИЗДЕЛИЯ ИЛИ ИНОГО В СВЯЗИ С ИСПОЛЬЗОВАНИЕМ ДАННОГО ИЗДЕЛИЯ, ДАЖЕ ЕСЛИ КОМПАНИИ HIKMICRO БЫЛО ИЗВЕСТНО О ВОЗМОЖНОСТИ ТАКОГО УЩЕРБА.

ПОТРЕБИТЕЛЬ ОСОЗНАЕТ, ЧТО ИНТЕРНЕТ ПО СВОЕЙ ПРИРОДЕ ЯВЛЯЕТСЯ ИСТОЧНИКОМ ПОВЫШЕННОГО РИСКА БЕЗОПАСНОСТИ И КОМПАНИЯ HIKMICRO НЕ НЕСЕТ ОТВЕТСТВЕННОСТИ ЗА СБОИ В РАБОТЕ ОБОРУДОВАНИЯ, УТЕЧКУ ИНФОРМАЦИИ И ДРУГОЙ УЩЕРБ, ВЫЗВАННЫЙ КИБЕРАТАКАМИ, ХАКЕРАМИ, ВИРУСАМИ ИЛИ СЕТЕВЫМИ УГРОЗАМИ; ОДНАКО НАША КОМПАНИЯ ОБЕСПЕЧИВАЕТ СВОЕВРЕМЕННУЮ ТЕХНИЧЕСКУЮ ПОДДЕРЖКУ, ЕСЛИ ЭТО НЕОБХОДИМО.

ПОТРЕБИТЕЛЬ СОГЛАШАЕТСЯ ИСПОЛЬЗОВАТЬ ДАННОЕ ИЗДЕЛИЕ В СООТВЕТСТВИИ СО ВСЕМИ ПРИМЕНИМЫМИ ЗАКОНАМИ И НЕСЕТ ЛИЧНУЮ ОТВЕТСТВЕННОСТЬ ЗА ИХ СОБЛЮДЕНИЕ. В ЧАСТНОСТИ, ПОТРЕБИТЕЛЬ НЕСЕТ ОТВЕТСТВЕННОСТЬ ЗА ИСПОЛЬЗОВАНИЕ ДАННОГО ИЗДЕЛИЯ БЕЗ НАРУШЕНИЯ ПРАВ ТРЕТЬИХ ЛИЦ, В ТОМ ЧИСЛЕ ПРАВ ПУБЛИЧНОСТИ, ИНТЕЛЛЕКТУАЛЬНОЙ СОБСТВЕННОСТИ И ЗАЩИТЫ ДАННЫХ. ВЫ НЕ БУДЕТЕ ИСПОЛЬЗОВАТЬ ДАННЫЙ ПРОДУКТ В ЦЕЛЯХ БРАКОНЬЕРСТВА, ВТОРЖЕНИЯ В ЧАСТНУЮ ЖИЗНЬ ИЛИ ЛЮБЫХ ДРУГИХ ЦЕЛЕЙ, КОТОРЫЕ ЯВЛЯЮТСЯ НЕЗАКОННЫМИ ИЛИ ПРОТИВОРЕЧАТ ОБЩЕСТВЕННЫМ ИНТЕРЕСАМ. ПОТРЕБИТЕЛЬ ОБЯЗУЕТСЯ НЕ ИСПОЛЬЗОВАТЬ ЭТО ИЗДЕЛИЕ В ЗАПРЕЩЕННЫХ ЦЕЛЯХ, В ТОМ ЧИСЛЕ ДЛЯ РАЗРАБОТКИ ИЛИ ПРОИЗВОДСТВА ОРУЖИЯ МАССОВОГО УНИЧТОЖЕНИЯ, ХИМИЧЕСКОГО ИЛИ БИОЛОГИЧЕСКОГО ОРУЖИЯ, ОСУЩЕСТВЛЕНИЯ КАКОЙ-ЛИБО ДЕЯТЕЛЬНОСТИ В КОНТЕКСТЕ ЯДЕРНОГО ОРУЖИЯ, НЕБЕЗОПАСНЫХ ОПЕРАЦИЙ

С ЯДЕРНЫМ ТОПЛИВОМ ИЛИ ДЛЯ ПОДДЕРЖКИ НАРУШЕНИЙ ПРАВ ЧЕЛОВЕКА.
В СЛУЧАЕ РАЗНОЧТЕНИЙ МЕЖДУ НАСТОЯЩИМ РУКОВОДСТВОМ И ДЕЙСТВУЮЩИМ
ЗАКОНОДАТЕЛЬСТВОМ, ПОСЛЕДНЕЕ ИМЕЕТ ПРИОРИТЕТ.

Нормативно-правовая информация

Данные положения применяются только в том случае, если изделие снабжено соответствующей отметкой или информацией.

Соответствие стандартам ЕС



Настоящее изделие и, если применимо, его штатные принадлежности имеют маркировку «CE», которая подтверждает его соответствие применимым согласованным европейским стандартам, указанным в Директиве по радиооборудованию 2014/53/ЕС, Директиве по электромагнитной совместимости 2014/30/ЕС, Директиве по низковольтному оборудованию 2014/35/ЕС и Директиве по ограничению использования опасных веществ 2011/65/ЕС.



Директива WEEE 2012/19/EU (по утилизации отходов электрического и электронного оборудования): продукты, отмеченные этим символом, запрещено утилизировать в Европейском союзе в качестве несортированных муниципальных отходов. Для надлежащей переработки возвратите этот продукт местному поставщику после покупки эквивалентного нового оборудования или утилизируйте его в предназначенных для этого пунктах сбора отходов. Для получения дополнительной информации посетите веб-сайт www.recyclethis.info



Директива 2006/66/EU и поправка к ней 2013/56/EU (сведения о батарее): этот продукт содержит батарею, которую запрещено утилизировать в Европейском союзе в качестве несортированных муниципальных отходов. Для получения точной информации о батарее см. документацию к продукту. Маркировка батареи может включать символы, которые определяют ее химический состав: кадмий (Cd), свинец (Pb) или ртуть (Hg). Для надлежащей утилизации отправьте батарею местному поставщику или утилизируйте ее в специальных пунктах приема отходов. Для получения дополнительной информации посетите веб-сайт www.recyclethis.info.

Инструкция по технике безопасности

Настоящие инструкции предназначены для того, чтобы пользователь мог правильно использовать устройство, чтобы избежать опасности или потери имущества.

Законодательные акты и нормативные документы

- Эксплуатация данного изделия должна выполняться в строгом соответствии с местными правилами безопасной эксплуатации электрооборудования.

Транспортировка

- Используйте оригинальную или схожую упаковку для транспортировки устройства.
- После распаковки сохраните упаковочные материалы для дальнейшего использования. В случае неисправности вам потребуется вернуть устройство на завод в оригинальной упаковке. Транспортировка без оригинальной упаковки может привести к повреждению устройства, и компания не будет нести за это ответственности.
- Не роняйте и не ударяйте устройство. Устройство необходимо размещать вдали от источников электромагнитных помех.

Электропитание

- Входное напряжение должно соответствовать ограниченному источнику питания (5 В постоянного тока, 2 А) в соответствии со стандартом IEC62368-1. Подробная информация приведена в таблице технических данных.
- Убедитесь, что вилка правильно подключена к розетке электропитания.
- Во избежание перегрева или возгорания из-за перегрузки ЗАПРЕЩАЕТСЯ подключать несколько устройств к одному адаптеру питания.
- Используйте адаптер питания, предоставленный сертифицированным изготовителем. Требования по электропитанию подробно описаны в технических характеристиках изделия.

Батарея

- Встроенная батарея не подлежит разборке. В случае необходимости ремонта обратитесь к производителю.
- При длительном хранении батареи полностью заряжайте ее каждые полгода, чтобы обеспечить ее работоспособность. В противном случае батарея может выйти из строя.
- Используйте батарею, поставляемую сертифицированным изготовителем. Требования к батарее подробно описаны в технических характеристиках изделия.
- ПРЕДУПРЕЖДЕНИЕ! При установке батареи недопустимого типа существует риск взрыва.
- Установка батареи недопустимого типа может создать угрозу для безопасности (например, в случае некоторых типов литиевых батарей).
- Не бросайте батарею в огонь или горячую печь, не сдавливайте и не разрезайте батарею, поскольку это может привести к взрыву.
- Нахождение батареи в среде с чрезвычайно высокой температурой может привести к взрыву или к утечке горючей жидкости или газа.
- Нахождение батареи в среде с чрезвычайно низким давлением воздуха может привести к взрыву или к утечке горючей жидкости или газа.
- Утилизируйте использованные батареи в соответствии с инструкциями.

Техническое обслуживание

- Если изделие не работает должным образом, обратитесь к дилеру или к специалистам ближайшего сервисного центра. Компания-изготовитель не несет ответственности за неисправности, возникшие в результате несанкционированного ремонта или технического обслуживания.
- При необходимости осторожно протрите устройство чистой салфеткой, смоченной небольшим количеством этилового спирта.
- Если оборудование используется способом, не указанным производителем, обеспечиваемая устройством безопасность может быть нарушена.

Требования к рабочей среде

- Убедитесь, что рабочая среда удовлетворяет требованиям надлежащей работы

устройства. Рабочая температура должна находиться в диапазоне от -20 °C до 55 °C, а рабочая влажность должна составлять не более 95%.

- ЗАПРЕЩАЕТСЯ устанавливать устройство в условиях воздействия сильного электромагнитного излучения или в пыльной среде.
- Не направляйте объектив устройства на солнце или другие яркие источники света.

Кнопка подачи экстренного сигнала тревоги

- Если устройство испускает дым, неприятный запах или шум, незамедлительно отключите электропитание, извлеките шнур питания и обратитесь в сервисный центр.

Адрес производителя

Комната 313, помещение В, корпус 2, 399 Danfeng Road, район Xixing, округ Binjiang, Hangzhou, Zhejiang 310052, Китай

Компания Hangzhou Microimage Software Co., Ltd.

УВЕДОМЛЕНИЕ О СООТВЕТСТВИИ: В различных странах и регионах, включая США, ЕС, Великобританию и/или другие страны, подписавшие Вассенарские соглашения, на тепловизионные устройства могут распространяться правила экспортного контроля. При необходимости транспортировки между странами, экспорта или реэкспорта тепловизионных устройств обратитесь к юристу, специалисту по соблюдению нормативно-правового соответствия или местным органам власти для получения информации о разрешении на экспорт.

Türkçe

1 Kısa Açıklama

El tipi termal monoküler kamera, gözlem, en yüksek sıcaklıkta hedef izleme, mesafe ölçümü, Wi-Fi erişim noktası vb. işlevleri olan bir el cihazıdır. Yüksek hassasiyetli dahili termal dedektör, zifiri karanlıkta bile size net bir görüş sağlar. Cihaz genel olarak avcılık, arama ve kurtarma, yürüyüş, seyahat gibi açık hava ortamlarında kullanılır.

Cihaz, etkin nokta aracılığıyla telefonunuza bağlandıktan sonra HIKMICRO Sight Uygulaması ile anlık görüntü yakalayabilir, video kaydedebilir ve parametre ayarlayabilir.

Uygulamayı indirmek için App Store'da (iOS Sistemi) veya Google Play™'de (Android Sistemi) HIKMICRO Sight'ı arayın ya da uygulamayı indirip yüklemek için QR kodunu tarayın.



Android Sistemi

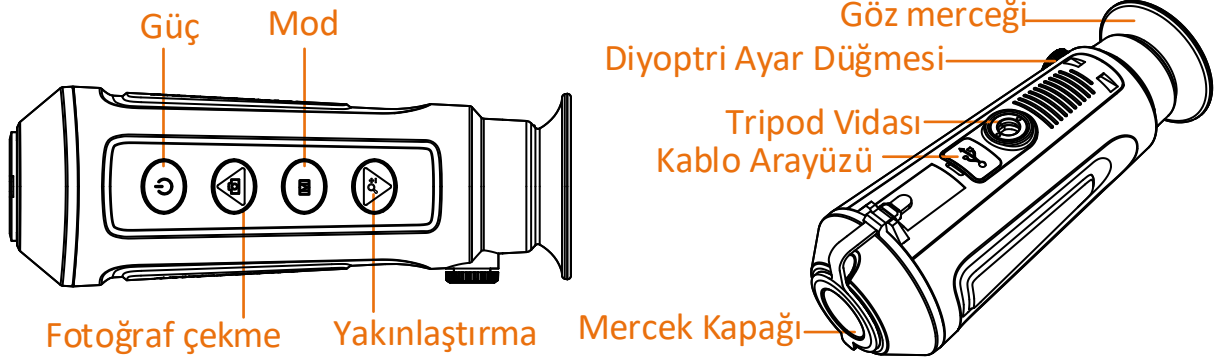


iOS Sistemi

Bu telsiz cihazı için geçerli olan frekans bantları ve modları ve iletilen gücün (yayılan ve/veya iletilen) nominal sınırları aşağıdaki gibidir:

Wi-Fi 2,4 GHz (2,4 GHz ila 2,4835 GHz)	20 dBm
--	--------

2 Görünüm



Düğme

Simge	Düğme	Fonksiyon
	Güç	Bas: bekleme modu/cihazı uyandırma Basılı Tut: gücü aç/kapat
	Mod	Bas: paletler Basılı tut: menü
	Fotoğraf çekme	Bas: yakala Basılı tut: kayıt
	Yakınlaştırma	Bas: dijital yakınlaştırma Basılı tut: FFC

Arayüz

- Mercek Kapağı: merceği tozdan veya çizikten korur.
- Diyoptri Ayar Düğmesi: Görünümü miyopi derecenize göre ayarlar.
- Kablo Arayüzü: Cihazı şarj eder veya verilen USB kablosuyla dosyaları dışa aktarır.
- Tripod Vidası: tripoda bağlı.

3 Cihazı Şarj Etme

Cihaz başladıktan sonra OSD (ekran üzeri gösterim) pil durumunu gösterir. Pil azaldığında, cihazı şarj edin ve düzgün çalıştığından emin olun.

Başlamadan Önce

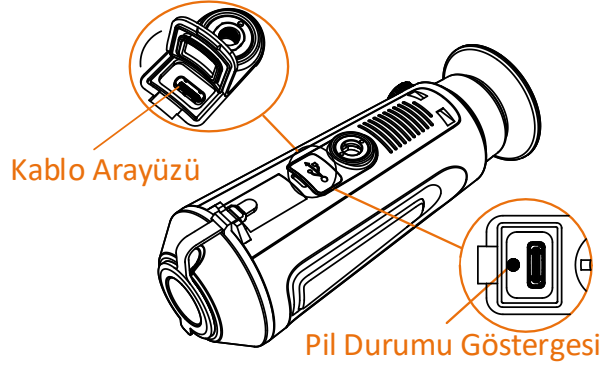
- Şarj sıcaklığı 0 °C ila 45 °C (32 °F ila 113 °F) arasında olmalıdır.

- Cihazı verilen USB kablosuyla şarj edin.

Adımlar

1. USB kapağını kaldırın.
2. USB kablosunu takın ve cihazı şarj edin.

- Yanıp Sönen Kırmızı ve Yeşil: hata oluştu.
- Sabit Kırmızı: pil düzgün şekilde şarj edilmiş.
- Sabit Yeşil: pil tamamen şarj olmuş.
- Kapalı: pil şarjlı değil.



Kullanım Kılavuzu



Yasal Bilgiler

©2022 Hangzhou Microimage Software Co., Ltd. Tüm hakları saklıdır.

Bu Kılavuz hakkında

Kılavuz, Ürünün kullanımı ve yönetimi ile ilgili talimatları içerir. Resimler, çizelgeler, görüntüler ve buradaki diğer tüm bilgiler, yalnızca tanımlama ve açıklama amaçlıdır. Kılavuzda bulunan bilgiler, yazılım güncellemeleri veya başka nedenlerden dolayı önceden haber verilmeksizin değiştirilebilir. Lütfen bu Kılavuzun en son sürümü için HIKMICRO web sitesine (www.hikmicrotech.com/) bakın. Lütfen bu Kılavuzu, Ürünü destekleme konusunda eğitilmiş profesyonellerin rehberliği ve yardımı ile kullanın.

Ticari Markalar Onayı



HIKMICRO ve diğer HIKMICRO ticari markaları ve logoları, çeşitli yargı alanlarında

HIKMICRO'nun özellikleridir.

Bahsedilen diğer ticari markalar ve logolar ilgili sahiplerinin mülkiyetindedir.

YASAL UYARI

YÜRÜRLÜKTEKİ YASALARIN İZİN VERDİĞİ AZAMI ÖLÇÜDE, BU KILAVUZ VE AÇIKLANAN ÜRÜN, DONANIMI, YAZILIMI VE ÜRÜN YAZILIMI İLE "OLDUĞU GİBİ" VE "TÜM ARIZALAR VE HATALAR İLE " SAĞLANIR. HIKMICRO, SINIRLAMA, SATILABİLİRLİK, KALİTE MEMNUNİYETİ VEYA BELİRLİ BİR AMACA UYGUNLUK DAHİL, AÇIK VEYA ZİMNİ HİÇBİR GARANTİ VERMEZ. ÜRÜNÜN SİZİN TARAFINIZDAN KULLANIMI KENDİ SORUMLULUĞUNUZDADIR. HIKMICRO HİÇBİR DURUMDA, BU ÜRÜNÜN KULLANIMI İLE BAĞLANTILI OLARAK, HIKMICRO BU TÜR HASARLARIN OLASILIĞI HAKKINDA BİLGİLENDİRİLMİŞ OLSA BİLE, İŞ KARLARININ KAYBI, İŞ KESİNTİSİ, VERİ KAYBI, SİSTEM

KESİNTİSİ, BELGE KAYBI, SÖZLEŞMENİN İHLALİ (İHMAL DAHİL), ÜRÜN SORUMLULUĞU GİBİ ZARARLAR DA DAHİL OLMAK ÜZERE, ÖZEL, SONUÇSAL, TESADÜFİ VEYA DOLAYLI ZARARLAR İÇİN SİZE KARŞI SORUMLU OLMAYACAKTIR.

HIKMICRO'NUN, İNTERNETİNİN DOĞAL GÜVENLİK RİSKLERİNİN GETİRDİĞİ SİBER SALDIRI, HACKER SALDIRISI, HACKER SALDIRISI, VİRÜS BULAŞMASINDAN KAYNAKLANAN ANORMAL ÇALIŞMA, GİZLİLİK SIZINTISI VEYA DİĞER ZARARLARDAN HERHANGİ BİR SORUMLULUK ALMAYACAĞINI KABUL EDİYORSUNUZ; ANCAK HIKMICRO, GEREKİRSE ZAMANINDA TEKNİK DESTEK SAĞLAYACAKTIR. BU ÜRÜNÜ GEÇERLİ TÜM YASALARA UYGUN OLARAK KULLANMAYI KABUL EDİYORSUNUZ VE KULLANIMINIZIN GEÇERLİ YASALARA UYGUN OLMASINI SAĞLAMAKTAN YALNIZCA SİZ SORUMLUSUNUZ. ÖZELLİKLE, BU ÜRÜNÜ, SINIRLAMA OLMASIZIN, TANITIM HAKLARI, FİKRİ MÜLKİYET HAKLARI VEYA VERİ KORUMA VE DİĞER GİZLİLİK HAKLARI DA DAHİL OLMAK ÜZERE ÜÇÜNCÜ TARAFLARIN HAKLARINI İHLAL ETMEYECEK ŞEKİLDE KULLANMaktan SİZ SORUMLUSUNUZ. BU ÜRÜNÜ HAYVANLARI YASALARA AYKIRI ŞEKİLDE AVLAMAK, MAHREMIYETİ İHLAL ETMEK YA DA YASA DIŞI VEYA KAMU MENFAATLERINE AYKIRI OLAN BİR AMAÇ İÇİN KULLANAMAZSINIZ. BU ÜRÜNÜ, KİTLE İMHA SİLAHLARININ GELİŞTİRİLMESİ VEYA ÜRETİMİ, KİMYASAL VEYA BİYOLOJİK SİLAHLARIN GELİŞTİRİLMESİ VEYA ÜRETİMİ, HERHANGİ BİR NÜKLEER PATLAYICI VEYA GÜVENLİ OLMAYAN NÜKLEER YAKIT DÖNGÜSÜ İLE İLGİLİ HERHANGİ BİR FAALİYETTE VEYA İNSAN HAKLARI İHLALLERİNİ DESTEKLEMENİN DE DAHİL YASAKLANMIŞ SON KULLANIMLAR İÇİN KULLANAMAZSINIZ.

BU KILAVUZ İLE İLGİLİ YASA ARASINDA HERHANGİ BİR ÇELİŞKİ OLMASI DURUMUNDA, İKİNCİSİ GEÇERLİDİR.

Mevzuat Bilgisi

Bu maddeler, yalnızca ilgili işarete veya bilgiye sahip ürünler için geçerlidir.

AB Uygunluk Beyanı



Bu ürün ve varsa sağlanan aksesuarlar da "CE" işaretine sahiptir. Dolayısıyla bunlar, Direktif 2014/53/EU (RED), Direktif 2014/30/EU (EMCD), Direktif 2014/35/EU (LVD), Direktif 2011/65/Eu'da (RoHS) listelenen geçerli, uyumlu hale getirilmiş Avrupa standartlarına uygundur.



Direktif 2012/19/EU (WEEE Direktifi): Bu simgeyle işaretlenen ürünler, Avrupa Birliği'nde ayrıştırılmamış belediye atığı olarak yok edilemez. Doğru geri dönüşüm için, eşdeğer yeni ekipman satın aldıktan sonra bu ürünü yerel tedarikçinize iade edin veya belirtilen toplama noktalarında imha edin. Daha fazla bilgi için bkz: www.recyclethis.info



Direktif 2006/66/EC ve 2013/56/EU düzeltmesi (Pil Direktifi): Bu ürün, Avrupa Birliği'nde ayrıştırılmamış belediye atığı olarak imha edilemeyen bir pil içerir. Özel pil bilgileri için ürün belgelerine bakın. Pil, kadmiyum (Cd), kurşun (Pb) veya cıva (Hg) içerebildiğini belirtmek bu simgeyle işaretlenmiştir. Doğru geri dönüşüm için pili tedarikçinize veya belirlenmiş bir toplama noktasına iade edin. Daha fazla bilgi için bkz: www.recyclethis.info

Güvenlik Talimatı

Bu talimatlar ile tehlikeleri veya mal kayıplarını önlemek için kullanıcının ürünü doğru şekilde

kullanabilmesinin sağlanması amaçlanmıştır.

Yasalar ve Yönetmelikler

- Ürünün yerel elektrik güvenliği düzenlemelerine kesinlikle uygun şekilde kullanılması gerekmektedir.

Ulaşım

- Cihazı taşıırken orijinal ambalajının veya benzer bir ambalajın içine koyun.
- Ambalajından çıkardıktan sonra tüm ambalajları ileride kullanmak üzere saklayın. Herhangi bir arıza meydana gelmesi halinde cihazı orijinal sargısıyla birlikte fabrikaya iade etmeniz gerekir. Orijinal ambalajı olmadan taşımak cihaza zarar verebilir bu durumda şirket hiçbir sorumluluk kabul etmeyecektir.
- Ürünü düşürmeyin veya fiziksel darbeye maruz bırakmayın. Cihazı manyetik parazitten uzak tutun.

Güç Kaynağı

- Giriş voltajı, IEC62368-1 standardına göre Sınırlı Güç Kaynağını (5 VDC, 2 A) karşılamalıdır. Ayrıntılı bilgi için lütfen teknik özelliklere bakın.
- Fişin elektrik prizine düzgün şekilde takıldığından emin olun.
- Aşırı yükten kaynaklı aşırı ısınmayı veya yangın tehlikelerini önlemek için bir güç kaynağına birden fazla cihaz TAKMAYIN.
- Yetkili üretici tarafından sağlanan güç adaptörünü kullanın. Ayrıntılı güç gereksinimleri için ürün özelliklerine bakın.

Pil

- Dahili pil sökülemez. Gerekirse onarım için lütfen üreticiyle iletişime geçin.
- Pil uzun süre kullanılmadan saklanacaksa pilin kalitesinin devam ettirilmesi için her altı ayda bir tam olarak şarj edilmesini sağlayın. Aksi takdirde hasar meydana gelebilir.
- Yetkili üretici tarafından sağlanan pili kullanın. Ayrıntılı pil gereksinimleri için ürün özelliklerine bakın.
- DİKKAT: Pil yanlış bir türle değiştirildiğinde patlama riski.
- Pilin yanlış türde bir pille uygun olmayan şekilde değiştirilmesi korumayı geçersiz hale getirebilir (örneğin, bazı lityum pil türleri).
- Pili ateşe veya sıcak fırına atmayın veya pili mekanik olarak patlayabilecek şekilde ezmeyin veya kesmeyin.
- Pili, patlamaya veya yanıcı sıvı veya gaz sızıntısına neden olabilecek aşırı yüksek sıcaklıktaki bir ortamda bırakmayın.
- Pili, patlamaya veya yanıcı sıvı veya gaz sızıntısına neden olabilecek aşırı düşük hava basıncına maruz bırakmayın.
- Bitmiş pilleri yönetmeliklere göre atın.

Bakım

- Ürün düzgün şekilde çalışmıyorsa lütfen bayiinizle veya en yakın servis merkeziyle iletişime geçin. Yetkisiz onarım veya bakımdan kaynaklanan sorunlar için herhangi bir sorumluluk kabul etmeyiz.
- Cihazı temiz bir bez ve gerekirse az miktarda etanol ile hafifçe silin.
- Ekipman, üretici tarafından belirtilmeyen bir şekilde kullanılırsa cihaz tarafından sağlanan koruma bozulabilir.

Kullanma Ortamı

- Çalışma ortamının cihazın gereksinimlerini karşıladığından emin olun. Çalışma sıcaklığı -20°C ila 55°C (-4°F ila 131°F) ve çalışma nemi %95 veya daha az olmalıdır.

- Cihazı yüksek elektromanyetik radyasyona sahip veya tozlu ortamlarda BULUNDURMAYIN.
- Lensi, güneşe veya herhangi bir parlak ışığa doğru tutmayın.

Acil Durum

- Cihazdan duman, koku veya ses geliyorsa hemen gücü kapatarak güç kablosunun bağlantısını kesin ve servis merkeziyle iletişime geçin.

Üretim Adresi

Oda 313, Birim B, Bina 2, 399 Danfeng Caddesi, Xixing Nahiyesi, Binjiang Bölgesi, Hangzhou, Zhejiang 310052, Çin
Hangzhou Microimage Software Co., Ltd.

UYGUNLUK BİLDİRİMİ: Termal serisi ürünler, sınırlama olmaksızın Amerika Birleşik Devletleri, Avrupa Birliği, Birleşik Krallık ve / veya Wassenaar Düzenlemesinin diğer üye ülkeleri dahil olmak üzere çeşitli ülke veya bölgelerde ihracat kontrollerine tabi olabilir. Termal serisi ürünleri farklı ülkeler arasında transfer etmeyi, ihraç etmeyi veya yeniden ihraç etmeyi düşünüyorsanız, lütfen gerekli ihracat lisansı gereklilikleri için profesyonel hukuk veya uyum uzmanınıza veya yerel hükümet yetkililerine danışın.

日本語

1 概要

ハンドヘルドサーマル単眼カメラは、観測、最高温度ターゲットトラッキング、距離測定、Wi-Fiホットスポットなどの機能を備えたハンドヘルドデバイスです。高感度の熱検出器を内蔵しており、完全な暗闇の中でもクリアな視界を提供します。このデバイスは、主に狩猟、救難、ハイキング、旅行などの野外シナリオに適しています。デバイスは、ホットスポットを介してスマートフォンに接続することで、HIMICRO Sightアプリによってスナップショットをキャプチャーし、ビデオを録画し、パラメーターの設定を行うことができます。App Store (iOSシステム) またはGoogle Play™ (Androidシステム) で「HIMICRO Sight」を検索するか、QRコードを読み取ってアプリをダウンロードし、インストールしてください。



Androidシステム

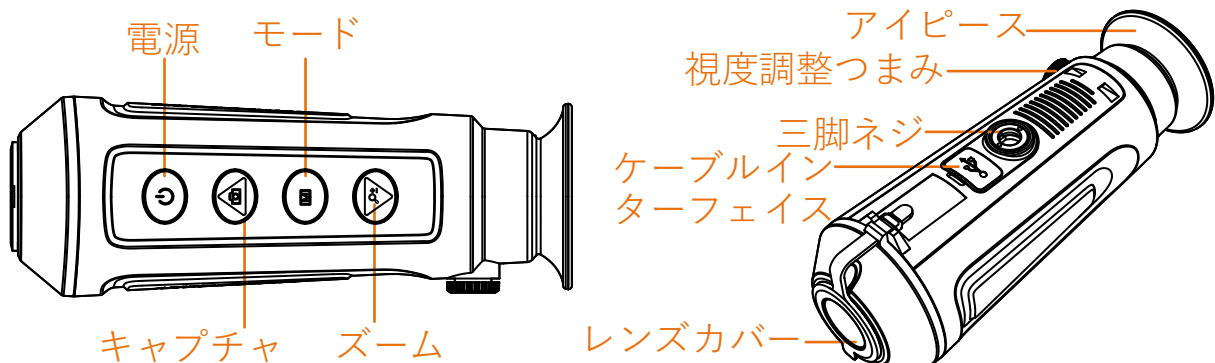


iOSシステム

この無線デバイスに適用される周波数帯域、モードおよび送信電力（放射および/または伝導）の公称制限は次の通りです。

Wi-Fi 2.4 GHz (2.4 GHz～2.4835 GHz)	20 dBm
------------------------------------	--------

2 外観



ボタン

アイコン	ボタン	機能
	電源	押す：スタンバイモード/デバイスの復帰 長押し：オン/オフ
	モード	押す：パレット 長押し：メニュー
	キャプチャ	押す：キャプチャー 長押し：録画
	ズーム	押す：デジタルズーム 長押し：FFC

インターフェイス

- レンズカバー：ほこりや傷からレンズを保護します。
- 視度調整つまみ：利用者の近視の度合に応じて視度を調整できます。
- ケーブルインターフェイス：デバイスを充電したり、付属のUSBケーブルでファイルをエクスポートできます。
- 三脚ねじ：三脚に接続できます。

3 デバイスの充電

デバイスの起動後、OSD（オンスクリーンディスプレイ）にバッテリーの状態が表示されます。バッテリー残量が少なくなったら、デバイスが正しく動作するように、デバイスを充電してください。

始める前に

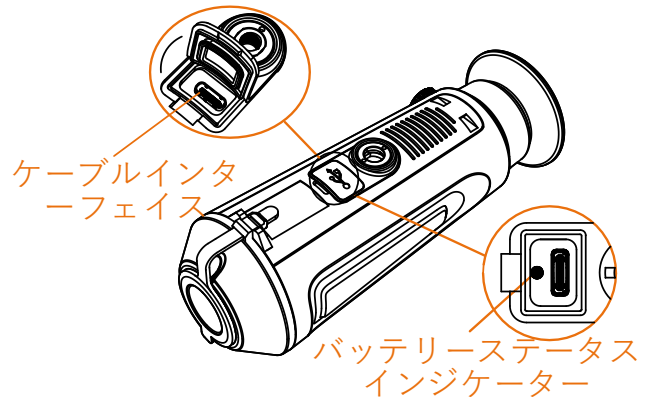
- 充電時は、温度は0°C～45°C（32°F～113°F）でなければなりません。

- 付属のUSBケーブルでデバイスを充電してください。

ステップ

- 1.USBカバーを開きます。
- 2.USBケーブルを差し込み、デバイスを充電します。

- 赤と緑の点滅：エラーが発生しました。
- 赤く点灯：バッテリーは正しく充電されています。
- 緑に点灯：バッテリーは完全に充電されています。
- オフ：バッテリーは充電されていません。



ユーザーマニュアル



法的情報


©2022 Hangzhou Microimage Software Co., Ltd. 禁・無断複製。

本マニュアルについて

本マニュアルには製品の使用および管理についての指示が含まれています。ここに記載されている写真、表、画像およびその他すべての情報は説明のみを目的としています。本マニュアルに含まれる情報は、ファームウェア更新やその他の理由で通知なく変更されることがあります。HIKMICROのサイト (www.hikmicrotech.com/) で、本書の最新版をご覧ください。

本マニュアルは、本製品をサポートする訓練を受けた専門家の指導・支援を受けた上でご使用ください。

商標に関する確認

 HIKMICRO およびその他のHIKMICROの商標とロゴは、様々な裁判管轄地域におけるHIKMICROの所有物です。

言及されているその他の商標およびロゴは、各権利保有者の所有物です。

法的免責事項

適用法で認められる最大限の範囲で、本マニュアルおよび説明されている製品（ハードウェア、ソフトウェア、および本製品を含む）は、「現状のまま」および「すべての欠陥と

エラーがある」状態で提供されます。HIKMICROでは、明示あるいは黙示を問わず、商品性、満足な品質、または特定目的に対する適合性などを一切保証しません。本製品は、お客様の自己責任においてご利用ください。HIKMICROは、本製品の利用に関連する事業利益の損失や事業妨害、データの損失、システムの障害、文書の損失に関する損害を含む特別、必然、偶発または間接的な損害に対して、それが契約に対する違反、不法行為(過失を含む)、製品の責任または製品の使用に関連するものであっても、たとえHIKMICROがそうした損害および損失について通知を受けていたとしても、一切の責任を負いません。

お客様は、インターネットにはその性質上固有のセキュリティリスクがあることを了解し、異常動作、プライバシーの流出、またはサイバー攻撃、ハッカー攻撃、ウィルス感染等のインターネットセキュリティリスクによる損害について、HIKMICROは一切責任を負いません。ただし、必要に応じてHIKMICROは適時技術的サポートを提供します。

お客様には、すべての適用法に従って本製品を利用し、さらにご自分の利用法が適用法を順守していることを確認する責任があります。特に、肖像権、知的財産権、またはデータ保護等のプライバシー権を非限定的に含むサードパーティの権利を侵害しない手段で本製品を利用する責任があります。動物の密猟やプライバシーの侵害など、法律に違反したり公序良俗に反する目的に本製品を使用してはなりません。大量破壊兵器の開発や生産、化学兵器・生物兵器の開発や生産、核爆発物や危険な核燃料サイクル、または人権侵害に資する活動を含む、禁じられている最終用途の目的で本製品を使用してはなりません。本マニュアルと適用法における矛盾がある場合については、後者が優先されます。

規制情報

これらの条項は、対応するマークまたは情報が付された製品にのみ適用されます。

EU 適合宣言



本製品および同梱の周辺機器（適用可能な場合）には「CE」マークが付いており、指令2014/53/EU (RED)、指令2014/30/EU (EMCD)、指令 2014/35/EU (LVD)、指令2011/65/EU (RoHS) の下に記載されている該当欧州統一規格に準拠しています。



指令2012/19/EU (WEEE 指令)：この記号が付いている製品は、欧州連合 (EU) の地方自治体の未分別廃棄物として処分できません。適切にリサイクルするために、本製品は同等の新しい装置を購入する際に、お近くの販売業者に返却いただくか、指定された収集場所で処分してください。詳細については次の URL を参照してください：www.recyclethis.info。



指令2006/66/ECおよびその修正案2013/56/EU (バッテリー指令)：本製品には、欧州連合 (EU) の地方自治体の未分別廃棄物として処分できないバッテリーが含まれています。特殊バッテリー情報に関する製品資料をご覧ください。バッテリーにはこの記号が付いており、カドミウム (Cd)、鉛 (Pb)、水銀 (Hg) を示す文字も記載されています。適切にリサイクルするために、販売業者か、指定された収集場所にご返却ください。より詳細な情報については以下をご確認ください。www.recyclethis.info

安全上の指示

これらの指示は、ユーザーが製品を正しく使用し、危険や財産損失を回避できるように保証することを目的としています。

法規と規則

- 製品の使用にあたって、お住まいの地域の電気安全性に関する法令を厳密に遵守する必要があります。

輸送

- 輸送中は、デバイスを元のパッケージまたは類似したパッケージに梱包してください。
- 開梱後は、後日使用できるように、梱包材を保存しておいてください。不具合が発生した場合、元の梱包材を使用して工場に機器を返送する必要があります。元の梱包材を使用せずに返送した場合、破損が発生する恐れがありますが、その際に、当社は一切責任を負いません。
- 製品を落下させたり、物理的な衝撃を与えないでください。本器を電磁妨害から遠ざけてください。

電源

- 入力電圧は、IEC62368-1規格の限定電源（5V DC、2A）を満たす必要があります。詳細情報に関しては技術仕様を参照してください。
- プラグが適切に電源ソケットに接続されていることを確認してください。
- 1台の電源アダプターに2台以上の機器を接続してはなりません。過負荷によって過熱したり、火災発生の危険があります。
- 正規メーカーより供給された電源アダプターを使用してください。電源の詳細な要件については、製品仕様を参照してください。

バッテリー

- 内蔵バッテリーは取り外しできません。修理については必要に応じてメーカーにお問い合わせください。
- バッテリーを長期保存する場合は、半年に一度はフル充電して、バッテリーの品質を保つようにしてください。これを怠った場合、破損の原因となります。
- 認定メーカーのバッテリーをご使用ください。バッテリーの詳細な要件については、製品仕様を参照してください。
- 注意: バッテリーを不正な種別のものと交換すると爆発の危険があります。
- 不正な種別のバッテリーとの不適切な交換は、安全装置を無効にする場合があります(たとえば、一部のリチウムバッテリータイプの場合など)。
- バッテリーを火や高温のオーブンの中に投入したり、バッテリーを機械的に粉砕したり切断したりしないでください。爆発の原因となることがあります。
- バッテリーを非常に高温の環境に放置しないでください。爆発や、可燃性の液体およびガスの漏出を引き起こす可能性があります。
- バッテリーを極端に低い空気圧下に置かないでください。爆発したり、可燃性の液体やガスが漏出することがあります。
- 使用済みバッテリーは、指示に従って廃棄してください。

メンテナンス

- 製品が正しく動作しない場合、販売店または最寄りのサービスセンターに連絡してください。承認されていない修理や保守行為による問題について、当社はいかなる責任も負いません。
- 必要ならば、エタノールを少量含ませたきれいな布でデバイスを静かに拭きます。
- メーカーが指定していない方法で使用了場合、デバイスが提供する保護機能が損なわれる恐れがあります。

使用環境

- 実行環境がデバイスの要件を満たしていることを確認します。動作温度は-20°C~55°C (-4°F~131°F)で、動作湿度は95%以下です。
- デバイスを強い電磁波や埃の多い環境にさらさないでください。
- レンズを太陽や極端に明るい場所に向けないでください。

緊急

- デバイスから煙や異臭、異音が発生した場合、すぐに電源を切り、電源ケーブルを抜いて、サービスセンターにご連絡ください。

メーカー住所

310052 中国浙江省杭州市滨江区西興地区段鳳通り399号2棟ユニットB 313号室
Hangzhou Microimage Software Co., Ltd.

法令順守通知：本サーマルシリーズ製品は、アメリカ合衆国、欧州連合、英国などワッセナー・アレンジメントの会員国を含むがそれだけに限定されない各国・各地域で、輸出管理の対象となる可能性があります。サーマルシリーズ製品を外国へ転送・輸出・再輸出する場合は、貴社の法務・コンプライアンス部門もしくは自国の政府機関に、輸出ライセンスの条件についてご確認ください。

한국인

1 간략 설명

휴대용 열화상 단안 카메라는 관찰, 최고 온도 대상 추적, 거리 측정, Wi-Fi 핫스팟 등과 같은 기능을 갖춘 휴대용 장비입니다. 고감도 열화상 감지기가 내장되어 빛이 없는 어둠 속에서도 선명한 시야를 제공합니다. 이 장비는 주로 사냥, 구조, 하이킹, 여행 등과 같은 야외 활동에 사용할 수 있습니다.

핫스팟을 통해 휴대전화에 연결한 후 HIKMICRO Sight 앱에서 스냅샷을 캡처하고 비디오를 녹화하며 매개변수를 설정할 수 있습니다.

App Store (iOS 시스템) 또는 Google Play™ (Android 시스템) 에서 HIKMICRO Sight 를 검색해 다운로드하거나 QR 코드를 스캔해 앱을 다운로드하고 설치하십시오.



Android 시스템

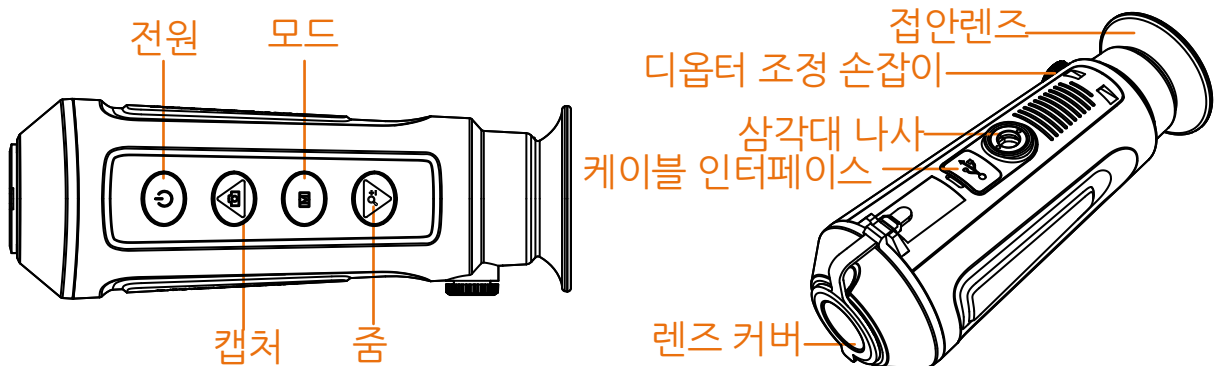


iOS 시스템

이 무선 장비에 적용 가능한 주파수 대역, 모드 및 송신 출력(방사 및/또는 전도)의 명목 한계는 다음과 같습니다.

Wi-Fi 2.4GHz(2.4GHz~2.4835GHz)	20dBm
--------------------------------	-------

2 외관



버튼

아이콘	버튼	기능
	전원	누르기: 대기 모드/장비 깨우기 길게 누르기: 전원 켜기/끄기
	모드	누르기: 팔레트 길게 누르기: 메뉴
	캡처	누르기: 캡처 길게 누르기: 녹화
	줌	누르기: 디지털 줌 길게 누르기: FFC

인터페이스

- 렌즈 커버: 먼지 또는 긁힘으로부터 렌즈를 보호합니다.
- 디옵터 조정 손잡이: 사용자의 근시 수준에 따라 보기를 조정합니다.
- 케이블 인터페이스: 제공되는 USB 케이블로 장비를 충전하거나 파일을 내보냅니다.

- 삼각대 나사: 삼각대를 연결합니다.

3 장비 충전

장비가 시작되면 OSD(온 스크린 디스플레이)가 배터리 상태를 표시합니다. 배터리가 부족하면 장비를 충전하고 올바르게 작동하는지 확인하십시오.

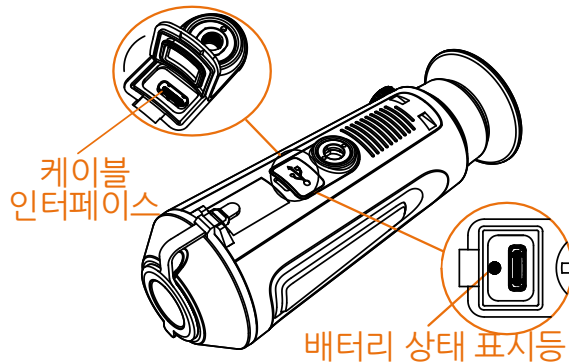
시작하기 전에

- 충전 온도는 0°C~45°C(32°F~113°F)여야 합니다.
- 제공된 USB 케이블로 기기를 충전하십시오.

단계

1. USB 커버를 들어 올립니다.
2. USB 케이블을 꽂고 장비를 충전합니다.

- 빨간등 및 녹색등 깜빡임: 오류가 발생했습니다.
- 빨간등 켜짐: 배터리가 올바르게 충전되었습니다.
- 녹색등 켜짐: 배터리가 완충되었습니다.
- 끄기: 배터리가 충전되지 않았습니다.



사용 설명서



법률 정보


©2022 Hangzhou Microimage Software Co., Ltd. 판권 보유.

매뉴얼 소개

본 매뉴얼에는 제품의 사용 및 관리에 필요한 지침이 포함되어 있습니다. 매뉴얼의 그림, 차트, 이미지 및 기타 모든 정보는 설명용으로만 제공되는 것입니다. 매뉴얼에 포함된 정보는 펌웨어 업데이트 또는 다른 사유로 예고 없이 변경될 수 있습니다. 이 설명서의 최신 버전을 보려면 HIKMICRO 웹사이트 (www.hikmicrotech.com/) 를 참조하십시오.

본 매뉴얼은 제품 지원 교육을 받은 전문가의 안내 및 지원 하에 사용하십시오.

상표 등록

 HIKMICRO 및 기타 HIKMICRO의 상표와 로고는 여러 관할 지역에 등록된 HIKMICRO의 재산입니다.

기타 상표 및 로고는 각 소유자의 재산입니다.

법적 고지 사항

관련 법률에서 허용하는 최대 범위에서 본 매뉴얼 및 설명된 제품은 하드웨어, 소프트웨어와 펌웨어의 모든 결함 및 오류가 “있는 그대로” 제공됩니다. HIKMICRO는 상품성, 품질 만족도, 특정 목적에의 적합성 및 타사의 비침해를 포함하되 이에 국한되지 않고 명시적 또는 묵시적으로 보증하지 않습니다. 제품 사용 시 책임은 전적으로 사용자에게 있습니다. 어떠한 경우에도 HIKMICRO는 제품의 사용과 관련해 발생하는 특별한, 결과적, 부수적 또는 간접적 손해 및 특히 사업상의 이익 손실, 운영 중단으로 인한 손해 또는 데이터의 손실, 시스템 장애 또는 문서의 손실에 대해 계약 위반, 불법 행위(과실 책임 포함), 제조물 책임 또는 그 외 제품 사용 관련성과 관계없이 일절 책임지지 않으며 HIKMICRO이 해당 손상 또는 손실이 발생할 가능성을 권고한 경우에도 그렇습니다.

귀하는 인터넷의 특성상 본질적으로 보안 위험이 잠재해 있음을 인정하며, HIKMICRO는 사이버 공격, 해커 공격, 바이러스 감염 또는 기타 인터넷 보안 위험으로 인해 발생한 비정상 작동, 개인정보 유출 또는 기타 손해에 대해 일절 책임지지 않습니다. 그러나 HIKMICRO는 필요한 경우 시기적절하게 기술 지원을 제공합니다.

귀하는 해당되는 모든 법률을 준수해 본 제품을 사용하는 데 동의하며, 해당되는 법률을 준수해 사용하는 것은 전적으로 귀하의 책임입니다. 특히, 귀하는 퍼블리시티권, 지적 재산권, 데이터 보호 및 기타 개인 정보 보호권을 포함하되 이에 국한되지 않고 제3자의 권리를 침해하지 않는 방식으로 본 제품을 사용하는 것에 대해 책임을 집니다. 귀하는 불법적인 동물 사냥, 사생활 침해 또는 공공의 이익에 반하거나 불법적인 기타 목적을 위해 본 제품을 사용하지 않습니다. 귀하는 대량 살상 무기 개발 또는 생산, 화학 또는 생물 무기 개발 또는 생산, 핵폭발 또는 안전하지 않은 핵연료 주기와 관련된 또는 인권 침해를 조장할 수 있는 개발 또는 생산을 포함해 금지된 최종 용도를 위해 본 제품을 사용하지 않습니다.

본 매뉴얼과 적용되는 법률 사이에 충돌이 발생하는 경우 법률이 우선합니다.

규제 정보

이 조항은 해당 마크 또는 정보가 있는 제품에만 적용됩니다.

EU 적합성 선언



본 제품은 물론 제공되는 액세서리에는(해당되는 경우) "CE"가 표시되어 있으며, Directive 2014/53/EU(RED), Directive 2014/30/EU(EMCD), Directive 2014/35/EU(LVD), Directive 2011/65/EU(RoHS)에 명시된 적용되는 유럽 표준을 준수합니다.



2012/19/EU(WEEE 지침): 이 기호가 표시된 제품은 유럽 연합 내에서 분류되지 않은 일반폐기물로 폐기할 수 없습니다. 적절히 재활용하기 위해 동급 장비를 새로 구매할 때 현지 공급업체에 제품을 반납하거나 지정된 수거 장소에 폐기하십시오. 자세한 내용은 www.recyclethis.info를 참조하십시오.



2006/66/EC 및 개정 2013/56/EU(배터리 지침): 본 제품에는 유럽 연합 내에서 분류되지 않은 일반폐기물로 폐기할 수 없는 배터리가 포함되어 있습니다. 특정 배터리에 관한 자세한 내용은 제품 관련 문서를 참조하십시오. 이 기호가 표시된 배터리에는 카드뮴(Cd), 납(Pb) 또는 수은(Hg)을 나타내는 글자가 포함될 수 있습니다. 적절히 재활용하기 위해 공급업체에 배터리를 반납하거나 지정된 수거 장소에 폐기하십시오. 자세한 내용은 www.recyclethis.info를 참조하십시오.

안전 지침

이 지침은 사용자가 제품을 올바르게 사용해 위험 또는 재산상의 손실을 방지하도록 하기 위해 제공되는 것입니다.

법률 및 규정

- 제품을 사용하려면 현지 전기 안전 규정을 엄격히 준수해야 합니다.

운반

- 장비를 운반할 때는 본래 포장재 또는 유사한 포장재에 장비를 놓으십시오.
- 포장을 뜯 다음에는 나중에 사용할 수 있도록 모든 포장재를 보관하십시오. 고장이 발생할 경우에는 장비를 본래 포장 상태로 포장해 공장으로 반품해야 합니다. 본래 포장 상태로 운송하지 않으면 장비가 손상될 수 있으며, 회사는 일절 책임지지 않습니다.
- 제품을 떨어뜨리거나 물리적 충격을 가하지 마십시오. 장비가 전자파의 간섭을 받지 않도록 하십시오.

전원 공급 장치

- IEC62368-1 표준에 따라 입력 전압은 LPS(5VDC, 2A)를 충족해야 합니다. 자세한 내용은 기술 사양을 참조하십시오.
- 플러그가 전원 소켓에 올바르게 연결되어 있는지 확인하십시오.
- 과부하로 인한 과열 또는 화재 위험을 방지하기 위해 하나의 전원 어댑터에 여러 장비를 연결하지 마십시오.
- 공인 제조사에서 제공한 전원 어댑터를 사용하십시오. 자세한 전원 요구 사항은 제품 사양을 참조하십시오.

배터리

- 내장된 배터리는 분해할 수 없습니다. 수리가 필요한 경우 제조사에 연락하십시오.
- 배터리를 장기간 보관하는 경우 배터리의 품질을 보장하기 위해 6개월마다 완충하십시오. 그렇지 않을 경우 손상될 수 있습니다.
- 공인 제조사에서 제공한 배터리를 사용하십시오. 자세한 배터리 요건은 제품 사양을 참조하십시오.
- 주의 사항: 배터리를 잘못된 유형으로 교체하면 폭발의 위험이 있습니다.

- 배터리를 잘못된 유형으로 부적절하게 교체하면 안전장치가 작동하지 않을 수 있습니다(예: 일부 리튬 배터리 유형의 경우).
- 배터리를 불 또는 뜨거운 오븐에 넣거나 기계적으로 부수거나 절단하지 마십시오. 폭발의 위험이 있습니다.
- 배터리를 주변 온도가 매우 높은 곳에 두지 마십시오. 폭발하거나 인화성 액체 또는 기체가 누출될 수 있습니다.
- 배터리를 기압이 매우 낮은 곳에 두지 마십시오. 폭발하거나 인화성 액체 또는 기체가 누출될 수 있습니다.
- 사용한 배터리는 지침을 준수해 폐기하십시오.

유지 관리

- 제품이 제대로 작동하지 않을 경우 판매점 또는 가까운 서비스 센터에 문의하십시오. 당사는 무단 수리 또는 유지 관리로 인해 발생한 문제에 대해 일절 책임지지 않습니다.
- 필요한 경우 깨끗한 헝겊에 에탄올을 소량 묻혀 장비를 살살 닦아주십시오.
- 제조사가 지정하지 않은 방식으로 장비를 사용하는 경우 장비에 의해 제공되는 보호 성능이 손상될 수 있습니다.

사용 환경

- 작동 환경이 장비의 작동 요구 사항을 충족하도록 하십시오. 작동 온도는 $-20^{\circ}\text{C}\sim 55^{\circ}\text{C}$ ($-4^{\circ}\text{F}\sim 131^{\circ}\text{F}$)여야 하며 작동 습도는 95% 이하여야 합니다.
- 장비를 전자파 방사가 높거나 먼지가 많은 환경에 노출하지 마십시오.
- 렌즈를 태양 또는 기타 밝은 빛에 조준하지 마십시오.

비상 버튼

- 장비에서 연기, 냄새 또는 소음이 발생하면 즉시 전원을 끄고 전원 케이블을 뽑은 다음 서비스 센터에 연락하십시오.

제조사 주소

국 저장성 310052 항저우 빈장구 시싱 하위지구 단평가 399 빌딩
2 룸 313
Hangzhou Microimage Software Co., Ltd.

규정 준수 알림: 열화상 시리즈 제품은 미국, 유럽 연합, 영국 및/또는 기타 바세나르 협정국을 포함하되 이에 국한되지 않고 여러 국가 및 지역의 수출 통제 대상이 될 수 있습니다. 열화상 시리즈 제품을 국가 간 운송, 수출, 재수출하려는 경우 필요한 수출 라이선스 요구 사항에 대해 법률 또는 규정 준수 전문가 또는 해당 국가의 정부 기관에 문의하십시오.

繁體中文

1 簡述

手持式單眼熱像攝影機是一款手持裝置，具有觀察功能、最高溫度目

標追蹤、距離測量、Wi-Fi 熱點等功能。高靈敏度內建熱偵測器使您即使在完全黑暗的情況下也能清楚觀看。該裝置主要應用於戶外情境，如狩獵、搜救、遠足和旅行。

本裝置透過熱點與行動電話連線後，即可使用 HIKMICRO Sight 應用程式拍照、錄影及設定參數。

在 App Store (iOS 系統) 或 Google Play™ (Android 系統) 搜尋並下載 HIKMICRO Sight，或掃描二維碼下載並安裝應用程式。



Android 系統

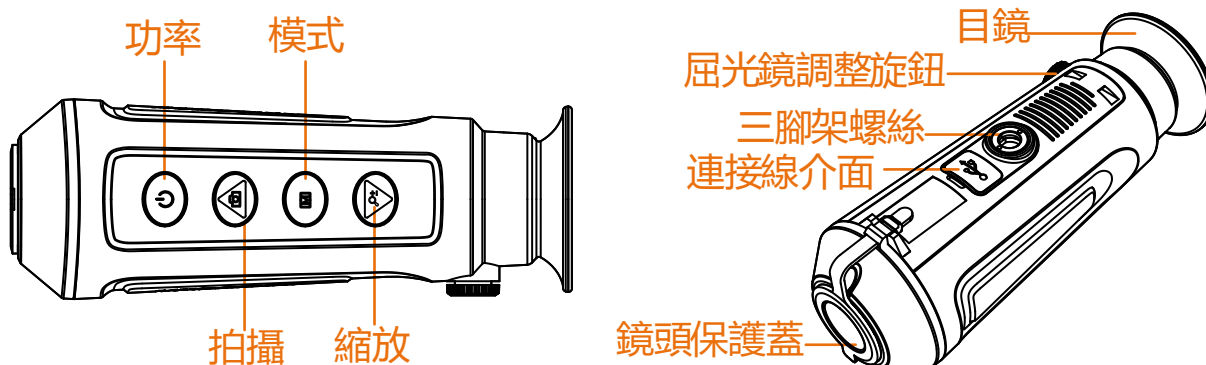


iOS 系統

本無線電裝置適用的頻帶和模式以及傳輸功率（輻射及/或傳導）額定限值如下：

Wi-Fi 2.4 GHz (2.4 GHz 至 2.4835 GHz)	20 dBm
--------------------------------------	--------

2 外觀



按鈕

圖示	按鈕	功能
	功率	按下：待機模式/喚醒裝置 按住：排程開機/關機

圖示	按鈕	功能
	模式	按下：選擇區 按住：選單
	拍攝	按下：拍攝 按住：錄製
	縮放	按下：數位變焦 按住：FFC

介面

- 鏡頭蓋：保護鏡頭免受灰塵或刮傷。
- 屈光鏡調整旋鈕：根據您的近視度數調整視圖。
- 連接線介面：使用隨附的 USB 連接線為裝置充電或匯出檔案。
- 三腳架螺絲：連接三腳架。

3 裝置充電

裝置啟動後，OSD（螢幕上顯示）會顯示電池狀態。當電池電量低時，為裝置充電並確保其運作正常。

開始之前

- 充電溫度應在 0°C 至 45°C (32°F 至 113°F) 之間。
- 使用隨附的 USB 連接線為裝置充電。

步驟

1. 拿起 USB 蓋。
2. 從這裡插入 USB 連接線並為裝置充電。

- 閃爍紅色和綠色：發生錯誤。
- 持續紅色：電池已正確充電。
- 持續綠色：電池已完全充電。
- 熄滅：電池未充電。



使用手冊



法律資訊


©2022 杭州微影軟件有限公司保留所有權利。

關於本手冊

本手冊提供有關使用和管理產品的指示。以下的圖片、圖表、圖像和所有其他資訊僅供描述和說明用途。本手冊所含資訊可能會因韌體升級或其他原因而變動，恕不另行通知。請至 HIKMICRO 網站 (www.hikmicrotech.com/) 尋找本手冊最新版本。

請在受過產品支援訓練的專業人員的指引與協助下使用本手冊。

商標告知

 HIKMICRO 及其他 HIKMICRO 的商標和標誌是 HIKMICRO 在不同司法管轄區的財產。所提及的其他商標和標誌為各自擁有者的財產。

法律免責聲明

在適用法律允許的最大範圍內，本手冊及所描述產品，其硬體、軟體和韌體均以「現狀」提供，瑕疵錯誤概不負責。HIKMICRO 不作任何明示或暗示的保證，包括但不限於適售性、品質滿意度或適合某特定用途。您必須承擔使用本產品的風險。對於任何特殊、衍生、偶發或間接的損害，包括但不限於營業利潤損失、營業中斷，或者資料遺失、系統毀損或文件遺失，只要是基於違反合約、侵權 (包括過失)、產品責任或產品使用 (即使 HIKMICRO 已知悉可能會有此類損害或損失)，HIKMICRO 概不負責。

您了解網際網路的性質具有固有的安全風險，對於因網路攻擊、駭客攻擊、病毒感染或其他網路安全風險而造成的異常運作、隱私洩漏或其他損害，HIKMICRO 概不承擔任何責任；但 HIKMICRO 將提供及時的技術支援。

您同意依照所有適用法律使用本產品，而且您有責任確保您的使用符合適用法律。特別是，

您有責任在使用本產品時不侵犯第三方權利，包括但不限於版權、知識財產權或資訊保護以及其他隱私權。不得將本產品作為非法狩獵動物、侵犯隱私權或任何其他非法或損害公眾利益等用途。您不得將本產品用於任何禁止的最終用途，包括開發或生產大規模毀滅性武器、開發或生產化學武器或生物武器，以及任何有關核爆炸或不安全核燃料循環的任何活動，或支持侵犯人權。

如果本手冊與適用法律產生任何衝突，以後者為準。

法規資訊

這些條款僅適用於帶有對應標記或資訊的產品。

歐盟聲明



本產品及其配件（如果有）均會標示「CE」，表示符合適用 Directive 2014/53/EU(RED)、Directive 2014/30/EU(EMCD)、Directive 2014/35/EU(LVD)、Directive 2011/65/EU(RoHS) 所列歐洲協調標準。



指令 2012/19/EU (WEEE 指令)：已標示此符號的產品在歐盟不得當成未分類的都市廢棄物處理。為了正確回收，請在購買同等的新設備時將本產品退回當地供應商，或將其棄置在指定的回收點。詳細資訊請參閱 www.recyclethis.info



指令 2006/66/EC 及其修訂 2013/56/EU (電池指令)：本產品內含一顆電池，在歐盟區不能當成未分類的都市廢棄物處理。有關特定的電池資訊，請參閱產品說明文件。已標示此符號的電池可能含有代表鎘 (Cd)、鉛 (Pb)或汞 (Hg) 的字母。為正確回收，請將電池送回供應商或指定的回收點。詳細資訊請參閱 www.recyclethis.info。

安全指示

這些指示的目的在確保使用者正確使用本產品，避免造成危險或財產損失。

法律和法規

- 使用本產品必須嚴格遵守當地電氣安全法規。

運輸

- 在運送裝置時，請將裝置放入原本的或類似的包裝中。
- 在拆封後保留所有包裝以供將來使用。如果發生任何故障，則需要利用原本的包裝將裝置送回工廠。未使用原本的包裝運輸可能會導致裝置損壞，本公司概不承擔任何責任。
- 請勿使本產品掉落或遭受撞擊。請勿讓裝置受到磁性干擾。

電源供應

- 根據 IEC62368-1 標準，輸入電壓應符合有限電源 (5 VDC, 2 A) 的規定。如需詳細資訊，請參閱技術規格。
- 確認已將插頭正確連接至電源插座。
- 請勿將多個裝置連接至相同電源變壓器以避免過熱，或因過載造成火災危險。
- 請使用合格製造商提供的電源變壓器。有關詳細的功率要求，請參閱產品規格。

電池

- 內建電池無法拆卸。如有需要，請聯絡製造商進行維修。
- 為了長期儲存電池，請確保電池每半年充滿電，以確保電池品質。否則，可能會造成損壞。
- 使用合格製造商提供的電池。有關詳細的電池要求，請參閱產品規格。
- 注意：若更換的電池類型不正確，會有爆炸的風險。
- 換錯類型不正確的電池，可能會使保護措施失效（例如，某些類型的鋰電池）。
- 禁止將電池棄置火中或高溫烤箱中，並禁止使用機械來壓碎或切碎電池，否則可能導致爆炸。
- 禁止將電池置於極高溫的環境中，否則可能導致爆炸或造成易燃液體或氣體洩漏。
- 禁止將電池置於極低空氣壓力下，否則可能導致爆炸或造成易燃液體或氣體洩漏。
- 請依照指示棄置使用過的電池。

維護

- 如果產品無法正常運作，請聯絡您的經銷商或最近的服務中心。對於因未經授權的維修或保養而造成的問題，本公司概不承擔任何責任。
- 如有需要，請使用乾淨的布和少量酒精輕輕擦拭裝置。
- 如果以製造商未指定的方式使用設備，則可能會影響裝置所提供的保護。

使用環境

- 請確定操作環境符合裝置的需求。工作溫度應為 -20°C 至 55°C (-4°F 至 131°F)，濕度應為 95% 以下。
- 請勿使裝置暴露於高電磁輻射或塵土飛揚的環境中。
- 請勿將鏡頭瞄準陽光或任何其他明亮的光線。

緊急

- 如果裝置產生煙霧、異味或噪音，請立即關閉電源，拔除電源線，並聯絡維修中心。

製造地址

310052 中國浙江省杭州市濱江區西興街區丹風路 399 號 2 號樓 B 單元 313 室
杭州微影軟件有限公司

合規性注意事項：熱像系列產品可能在不同國家或地區受到出口管制，包括但不限於美國、歐盟、英國和/或瓦森納協議的其他成員國。如果您打算在不同國家之間轉讓、出口、再出口熱像系列產品，請洽詢您的專業法律或合規性專家或地方政府機關，以瞭解任何必要的出口許可要求。



HIKMICRO

See the World in a New Way



Facebook: HIKMICRO Outdoor Instagram: hikmicro_outdoor

YouTube: HIKMICRO Outdoor

LinkedIn: HIKMICRO

Website: www.hikmicrotech.com

E-mail: support@hikmicrotech.com

UD22661B-D