



# HM-ADAPTER-56A

## Adapter

The HM-ADAPTER-56A adapter connects the thermal clip-on and the daylight scope. It supports M52 × 0.75 mm thread, used for HIKMICRO THUNDER Clip-On 2.0.

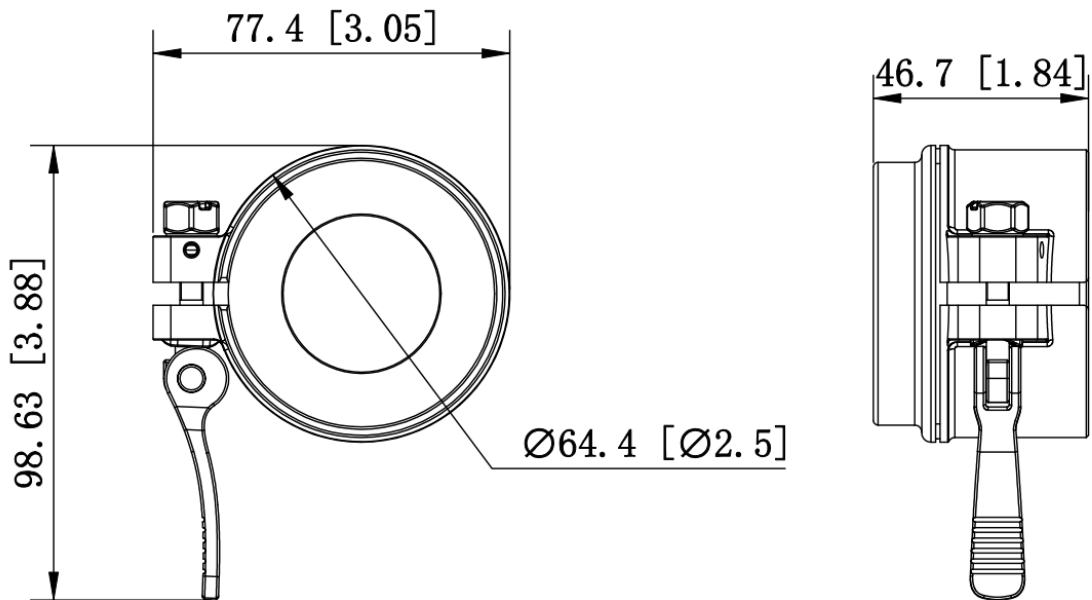
### Specification

GENERAL	
DIMENSION	77.4 mm × 98.63 mm × 46.7 mm (3.05" × 3.88" × 1.84")
WEIGHT	96.9 g (0.21 lb)
MOUNTING DIAMETER	56 mm
THREAD	M52 × 0.75 mm
ACCESSORY	Hex Key, Ring

### Available Model

## HM-ADAPTER-56A

## Dimension



Unit:mm[Inch]



HIKMICRO SIGHT



 HIKMICRO Outdoor  hikmicro\_outdoor  HIKMICRO Outdoor  HIKMICRO  info@hikmicrotech.com  <http://hikmicrotech.com/en>

Room 313, Unit B, Building 2, 399 Danfeng Road, Xixing Subdistrict, Binjiang District, Hangzhou, Zhejiang  
@hangzhou microimage software co.,Ltd .2020 | data subject to change without notice!