

HM-SP620-MACRO



The interchangeable lens series is often used with handheld thermal cameras to expand the focal length of the original camera to different ranges, so as to obtain different FOVs and scene scopes. Compatible with SP40, SP40H, SP60, SP60H. Macro lenses like the HM-SP620-MACRO allow very close focus to capture sharp images of small objects with accurate measurements.

▪ Key Feature

- Min. Focus Distance up to 31.6 mm
- Spatial Resolution (IFOV) up to 20 $\mu\text{m}/\text{pixel}$
- High Accuracy: Max($\pm 2^\circ\text{C}/3.6^\circ\text{F}$, $\pm 2\%$), for object temperature between -20°C (-4°F) to 150°C (302°F)

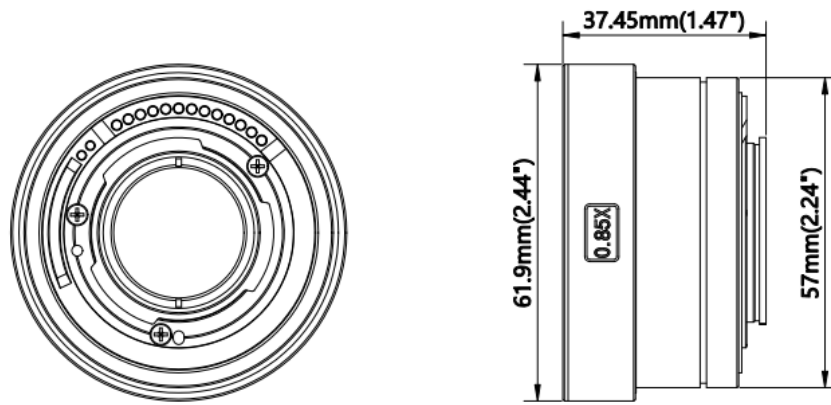
▪ Specification

Infrared Image	
Focal Length	31.6 mm(0.11 ft)
FOV (Field of View)	SP40/SP40H: 9.9 mm x 7.48 mm SP60/SP60H: 13.02 mm x 9.9 mm
IFOV (Spatial Resolution)	20 $\mu\text{m}/\text{pixel}$
Min. Focusing Distance	31.6 mm
Measurement and Analysis	
Object Temperature Range	-20°C to 150°C (-4°F to 302°F)
Accuracy	Max. ($\pm 2^\circ\text{C}/3.6^\circ\text{F}$, $\pm 2\%$)
General	
Working Temperature Range	-20°C to 50°C (-4°F to 122°F)
Weight	176 g (0.39 lb)
Dimension	37.5 mm x $\phi 61.9$ mm (1.47" x $\phi 2.44$ ")
Accessory	
Min. Target Size for Imaging	20 μm

▪ Available Model

HM-SP620-MACRO

▪ Dimension



Unit: mm (Inch)

