

HM-TD3117T-1/Q Thermographic Cube Camera



HIKMICRO HM-TD3117T-1/Q Thermographic cube camera offers continuous temperature monitoring and alarming with thermal and visible image. The camera is small in size and easy to install, which can be mounted in narrow places and provides large field of view. You can use them against sudden outages, service interruptions, and failure of electrical or mechanical equipment in places such as electrical cabinets, process control and manufacturing, data centers, power plant, power distribution station, mass transit, storage facilities, and refrigeration warehouses.

▪ Key Features

- 160 × 120 (the resolution of output image is 320 × 240) resolution in thermal channel, high sensitivity sensor
- Point, line and area for temperature measurement
- Temperature range: -20°C to 150°C (-4°F to 302°F), 0°C to 550 °C (32°F to 1022°F); temperature accuracy: Max. (± 2°C, ± 2%)
- Reliable temperature exception alarm function

▪ Specification

Thermal Module	
Image Sensor	Vanadium Oxide Uncooled Focal Plane Arrays
Resolution	160 × 120 (the resolution of output image is 320 × 240)
Pixel Interval	17 μm
Response Waveband	8 μm to 14 μm
NETD	Less than 40 mK (@25°C, F# = 1.1)
Focal Length	1.3 mm
I FOV	13.08 mrad
Field of View	114° × 89° (H × V)
Min. Focusing Distance	0.1 m
Aperture	F1.2
Digital Zoom	× 2, × 4
Image Effect	
Target Coloration	Yes. Supported in white hot and black hot mode.
Smart Function	
Temperature Measurement	3 temperature measurement rule types, 21 rules in total (10 points, 10 areas, and 1 line).
Video and Audio	
Main Stream	Thermal: 25 fps (1280 × 720, 704 × 576, 640 × 480, 352 × 288, 320 × 240)
Sub Stream	Thermal: 25 fps (704 × 576, 352 × 288, 320 × 240)
Video Compression	Main stream: H.265/ H.264 Sub-stream: H.265/H.264/MJPEG
System Function	
Temperature Measurement	Display Max. and Min. temperature in live view; 3 temperature measurement rule types, 21 rules (10 points, 10 regions, and 1 line).
Temperature Range	-20°C to 150°C (-4°F to 302°F), 0°C to 550°C (32°F to 1022°F)
Temperature Accuracy	Max. (± 2 °C, ± 2%)
Video and Image	
Color Palettes	15 options: White Hot, Black Hot, Fusion 1, Rainbow, Fusion 2, Ironbow 1, Ironbow 2, Speia, Color 1, Color 2, Ice Fire, Rain, Red Hot, Green Hot, Dark Blue
Network	
Protocols	IPv4/IPv6, HTTP, HTTPS, 802.1x, QoS, FTP, SMTP, UPnP, SNMP, DNS, DDNS, NTP, RTSP, RTP, TCP, UDP, DHCP, Email, ISUP, PPPOE, NAS
API	ISAPI SDK
Simultaneous Live View	Up to 20 channels
Security	User authentication (ID and PW), HTTPS encryption, access control, IP address filtering
Client	HIKMICRO Studio
Web Browser	Live view (plug-in allowed) : Internet Explorer 11 Live view (plug-in free) : Chrome 57.0 +, Firefox 52.0 + Local service : Chrome 57.0+, Firefox 52.0 +
Interface	
Communication Interface	1, RJ45 10 M/100 M self-adaptive Ethernet interface 1, RS-485 interface (ModBus available)

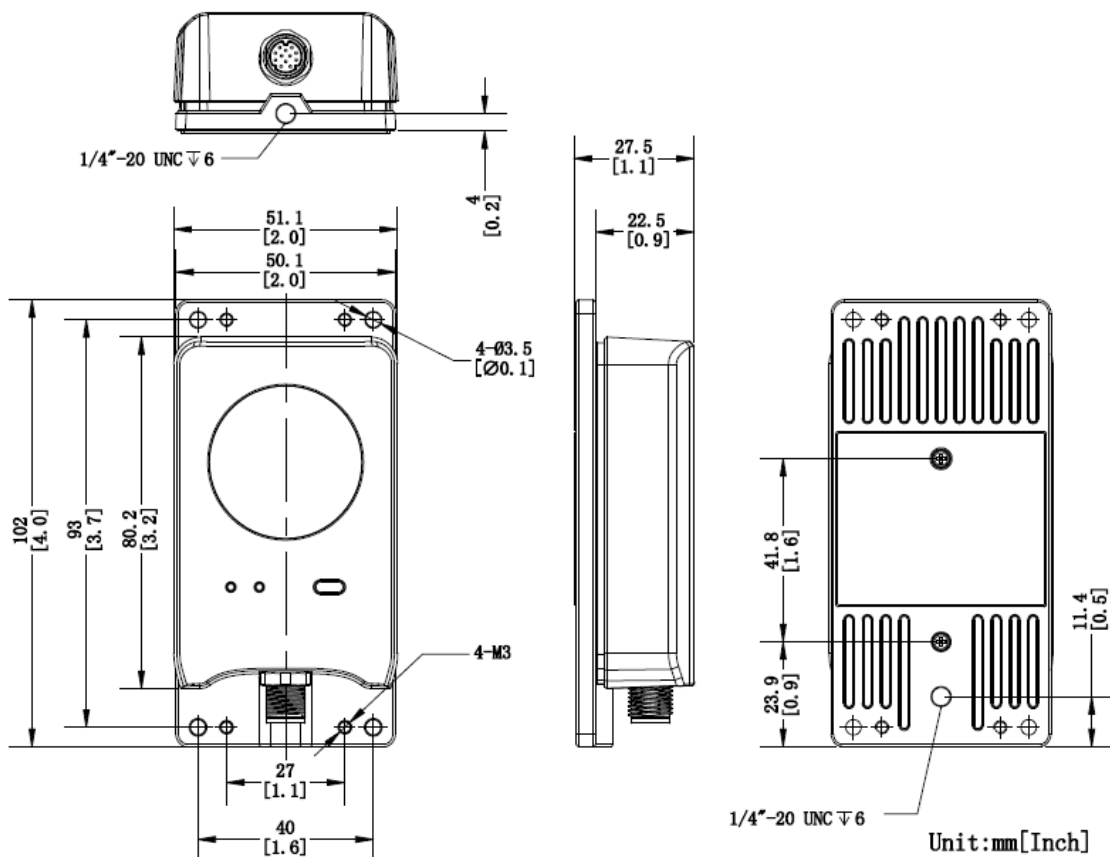
General

Menu Language	English
Working Temperature/Humidity	0°C to 50°C (32°F to 122°F) 95% or less
Power Supply	12 VDC ± 25%, Max. 2 W
Protection Level	IP67 Standard TVS 6000 V lightning protection, surge protection, voltage transient protection
Dimension	102 mm × 51.1 mm × 27.5 mm (4.0" × 2.0" × 1.1")
Weight	Approx. 178 g (0.39 lb)

▪ Available Model

HM-TD3117T-1/Q

▪ Dimension



COMPLIANCE NOTICE: The thermal series products might be subject to export controls in various countries or regions, including without limitation, the United States, European Union, United Kingdom and/or other member countries of the Wassenaar Arrangement. Please consult your professional legal or compliance expert or local government authorities for any necessary export license requirements if you intend to transfer, export, re-export the thermal series products between different countries.

