



HM-IRB-A

IR Torch Bracket

HIKMICRO IR Torch Bracket HM-IRB-A is designed for install HIKMICRO IR Torch on the Night Vision Scope ALPEX Series.

Key Features

- Related Products: ALPEX series: A50T/A50TN
- IR Torch: HM-L028IR/HM-L029IR/HM-L128IR/HM-L129IR

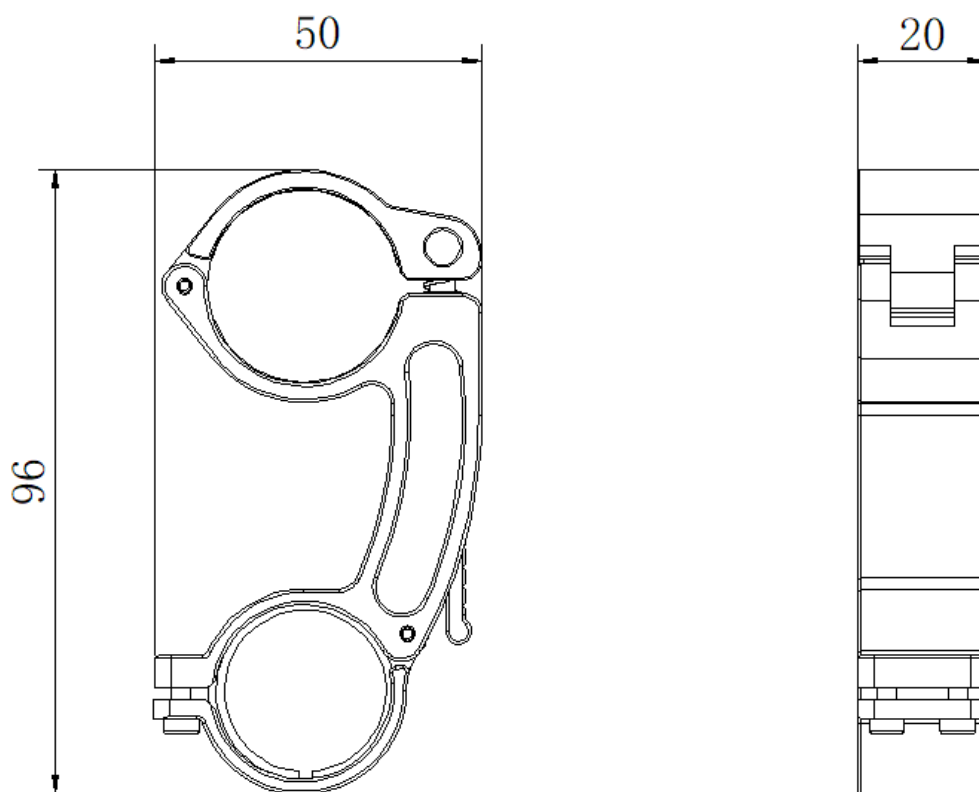
Specification

GENERAL	
DIMENSION	96 mm × 50 mm × 20 mm
WEIGHT	68.2 g
BODY MATERIAL	6061 aluminum alloy

Available Model

HM-IRB-A

Dimension



Unit: mm



 HIKMICRO Outdoor  hikmicro_outdoor  HIKMICRO Outdoor  HIKMICRO  info@hikmicrotech.com  <http://hikmicrotech.com/en>

room 313, unit B, building 2, 399 danfeng road, xixing subdistrict, binjiang district, hangzhou, zhejiang
@hangzhou microimage software co., Ltd .2020 | data subject to change without notice!