

LYNX L15 Handheld Thermal Monocular Camera



HIKMICRO L15 handheld thermal monocular camera is equipped with a 384×288 infrared detector and a 720×540 LCOS display. It supports functions of observation, distance measurement, Wi-Fi hot spot, and so on. The high-sensitivity built-in thermal detector provides you with clear view even in total darkness. The monocular is mainly applied to scenarios such as patrolling, searching and rescuing, hiking, travel, and hunting, etc.

Key Features

- 384×288 resolution, high sensitivity detector
- Adaptive AGC, DDE, 3D DNR, NETD less than 35 mK (@ $25 \text{ }^\circ\text{C}$), $F\#=1.0$
- 720×540 resolution 0.2-inch LCOS display
- Built-in rechargeable lithium battery
- More than seven hours continuous running (with Wi-Fi hot spot function off)
- Wi-Fi hot spot
- Type-C Interface

Specification

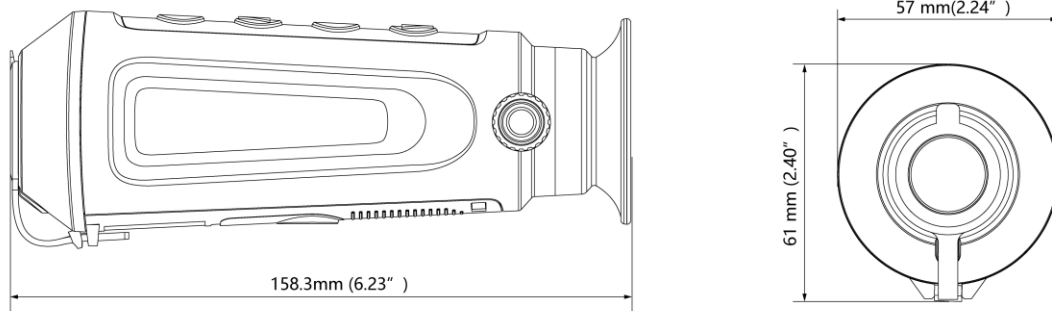
▪ Specification

| Thermal Module | |
|---------------------------|---|
| Image Sensor | VOx Uncooled Focal Plane Arrays |
| Resolution | 384 × 288 |
| Frame Frequency | 50 Hz |
| Pixel Interval | 17 μm |
| Response Waveband | 8 μm to 14 μm |
| NETD | ≤ 35 mK (@25°C), F#=1.1 |
| Focal Length | 15 mm |
| IFOV | 1.13 mrad |
| Field of View | 24.6° × 18.5° (H × V) |
| Aperture | F1.0 |
| Image Display | |
| Monitor | 0.2 inch, LCOS, 720 × 540 |
| Palettes | Black Hot, White Hot, Red Hot, Fusion |
| Uniformity Correction | Auto, Manual, External Correction |
| Digital Zoom | 1×, 2×, 4×, 8× |
| Smart Function | |
| Hot Track | Yes |
| Distance Measurement | Yes |
| Detection Range | 529 m |
| System | |
| Storage | Built-in memory module (8 GB) |
| Record Video | Yes |
| Capture Snapshot | Yes |
| Wi-Fi | Yes |
| Standby Mode | Yes |
| Power Supply | |
| Battery Type | Rechargeable Lithium Battery |
| Battery Operating Time | 7 hours continuous running with Wi-Fi hot spot function off (@25 °C) 5.5 hours continuous running with Wi-Fi hot spot function on (@25 °C) |
| Battery Capacity Display | Yes |
| General | |
| Power | 5 VDC/2 A, 1.5 W, Type-C Interface |
| Work Temperature/Humidity | From -20 °C to 55 °C (-4 °F to 131 °F); Humidity: 90% or Less |
| Protection Level | IP67 |
| Dimension | 158.3 mm × 61 mm × 57 mm (6.23" × 2.40" × 2.24") |
| Weight | 270 g (0.60 lb) |

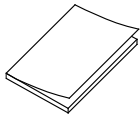
Available Model

HM-TS03-15XF/W-L15

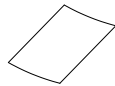
Dimension



Accessory



Quick Start Guide
(x1)



Non-dust Cloth (x1)



USB Cable (x1)



Protective Bag (x1)



Wrist Strap (x1)

COMPLIANCE NOTICE: The thermal series products might be subject to export controls in various countries or regions, including without limitation, the United States, European Union, United Kingdom and/or other member countries of the Wassenaar Arrangement. Please consult your professional legal or compliance expert or local government authorities for any necessary export license requirements if you intend to transfer, export, re-export the thermal series products between different countries.