

PD121 Pyrometer



The HIKMICRO PD121 high-performance pyrometer is an excellent choice for harsh industrial environments to measure high temperature and generate alarms, which is designed to be flexible and easy-to-install. It features a 2.4" OLCD screen with resolution 600*448 and can measure temperatures from 500°C~1800°C(932°F~3272°F) with high accuracy.

- Temperature measurement range: 500°C~1800°C(932°F~3272°F)
- Accuracy: $\pm(0.3\%*T_{mea}+1)^{\circ}\text{C}$ or $\pm(0.3\%*T_{mea}+1.8)^{\circ}\text{F}$, T_{mea} means "Current measured temperature"
- Resolution: 0.1°C/0.18°F
- Repeatability: $\pm(0.1\%*T_{mea}+1)^{\circ}\text{C}$ or $\pm(0.1\%*T_{mea}+1.8)^{\circ}\text{F}$, T_{mea} means "Current measured temperature"
- Optical Resolution (D:S): 100:1(90% energy)
- Spot Size: 6mm
- Focus Range: 0.6m~INF
- 2.4" OLCD screen with resolution 600*448
- Protection Level: IP65
- 3 Ways of Sighting: Laser, visual display, eyepiece

▪ Specification

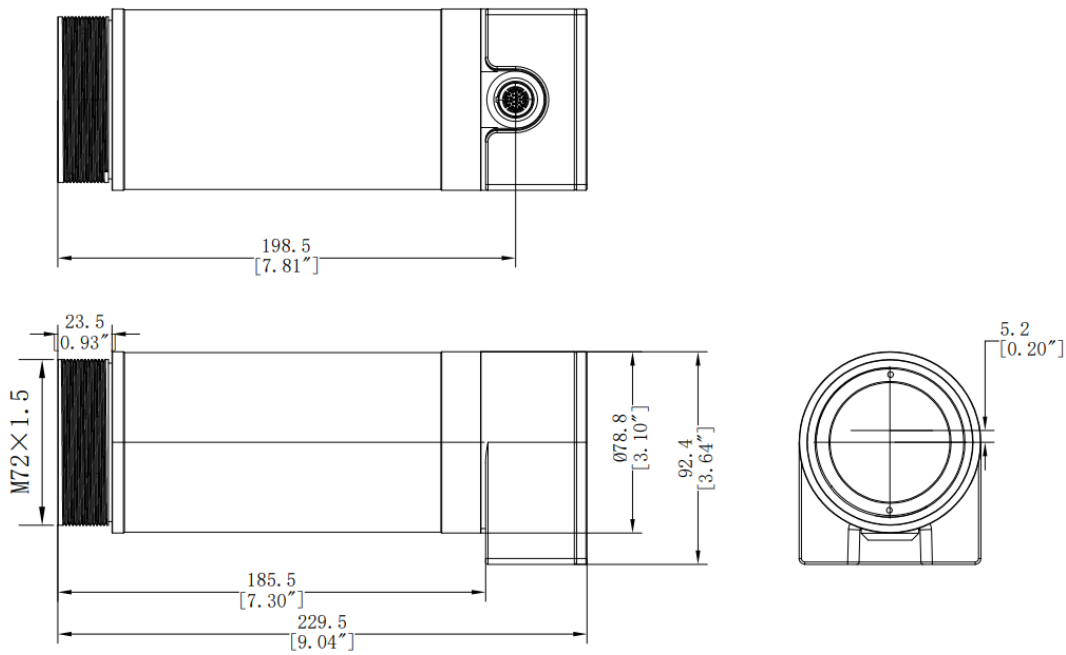
Measurement Specifications	
Spectral Response	0.8 μ m~1.08 μ m
Temperature Range	500°C~1800°C(932°F~3272°F)
Accuracy	$\pm(0.3\%*T_{mea}+1)^{\circ}C$ or $\pm(0.3\%*T_{mea}+1.8)^{\circ}F$, T_{mea} means "Current measured temperature"
Resolution	0.1°C/0.18°F
Repeatability	$\pm(0.1\%*T_{mea}+1)^{\circ}C$ or $\pm(0.1\%*T_{mea}+1.8)^{\circ}F$, T_{mea} means "Current measured temperature"
Optical Resolution (D:S)	100:1 (90% energy)
Spot Size	6mm
Response Time	1ms
Slope	0.850 ~ 1.150
Emissivity	0.100 ~ 1.100
Sighting	Laser, visual display, eyepiece
Signal Processing	Averaging mode, temperature filter mode, peak/valley hold mode
Focus Range	0.6m~INF
Visual	
Field of View (FOV)	11° x 8°
Optical Resolution	2688*1944
Data Communication	
Analog Output	Supports proportional output, 16-bit resolution, max load 600 Ω - Interface: 4-20mA - Output Types: 4-20mA/0-20mA/0-5V/0-10V
Digital Output	RS485, Modbus RTU, Modbus TCP
Alarm Output	Supports relay control, dual control methods -COM output: Optocoupler isolation, delay time less than 2ms - PNP output: DC24V
Protocols	TCP/IP
General	
Power Supply	DC 24V
Power Consumption	Max 10W
Display	2.4" OLCD screen, resolution 600*448
Laser	Yes
Protection Level	IP65
Working Temperature Range	- Without cooling: -20°C to +65°C (-4°F to +149°F) - With air & water cooling accessories: -20°C to +300°C (-4°F to +572°F)
Storage Temperature Range	-20°C to 70°C (-4°F to +158°F)
Relative Humidity	< 95% non-condensing
Vibration	1 g, IEC 60068-2-6
Shock	15 g, IEC 60068-2-27

Dimension	87.8 x 92.4 x 229.5mm(3.1 x 3.64 x 9.04 in)
Weight	1780g(3.92 lb)
Warranty	5 years for the full product

▪ Available Model

HM-P10D10-5018-F2/ELV






▪ Dimension



Unit:mm[Inch]

▪ Accessory

▪ Optional

DS-1701ZJ Wall Mount for Water- /Air-Cooled Housing	HM-AFA01 Switching Mode Power Supply	HM-AIBR01/PY Fixed Bracket for Pyrometer	HM-AIBR02/PY Adjustable Bracket for Pyrometer	HM-AICH01/PY Water-/Air-Cooled Housing for Pyrometer
				
HM-AIPU01/PY Air Purge for Pyrometer				
