

B1L Handheld Thermal Camera



HIKMICRO B1L is designed for temperature measurement to find invisible faults. It's equipped with a 160 × 120 resolution HIKMICRO thermal detector. The thermography ranges from -20°C to 550°C (-4°F to 1022°F), which meets most situation. It helps the staff to quickly find the fault according to accurate temperature measurement of high temperature targets in the environment. Meanwhile it provides assistant decision and ensure safety. The device is mainly applied to various industries, such as Building, HVAC, and auto industry, etc.

Key Feature

- Thermal resolution: 160 × 120
- High quality 240 × 320 resolution 3.2" LCD display
- Up to 4 palettes
- Wide temperature measurement range: -20°C to 550°C
- High temperature measurement accuracy: Up to ± 2°C, ± 2%
- Long-distance laser light supplement for thermography targets
- Built-in rechargeable Li-ion battery
- Up to 8 hours continuous operation

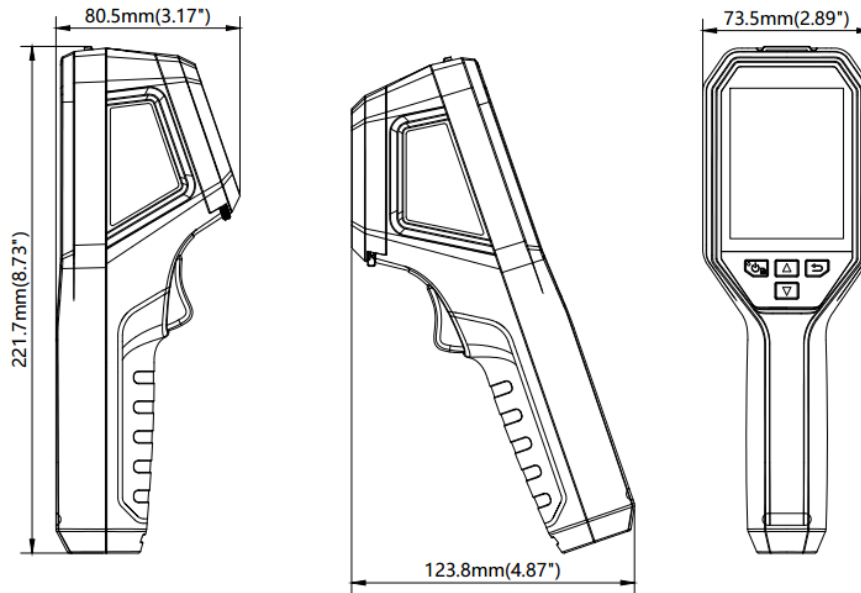
▪ Specification

| Infrared Image | |
|--------------------------------|---|
| IR Resolution | 160 × 120 (19,200 pixels) |
| NETD | < 40 mK (@ 25°C, F#=1.0) |
| Image Frequency | 25 Hz |
| Detector Pitch | 17 μm |
| Spectral Range | 7.5 to 14 μm |
| Focal Length | 3.5 mm |
| F-number | F1.1 |
| Field of View (FOV) | 32.9° × 44.4° |
| Spatial Resolution (IFOV) | 4.85 mrad |
| Min. Focus Distance | 0.3 m (0.98 ft) |
| Focus Mode | Focus Free |
| Image Display | |
| Visual Camera | N/A |
| Display | 240 × 320 Resolution, 3.2" LCD Screen |
| Color Alarm | Above alarm |
| Color Palettes | White Hot, Black Hot, Rainbow, Ironbow |
| Measurement and Analysis | |
| Object Temperature Range | -20°C to 550°C (-4°F to 1022°F) |
| Accuracy | Max. (± 2°C/3.6°F, ± 2%), for ambient temperature 15°C to 35°C (59°F to 95°F) and object temperature above 0°C (32°F) |
| Measurement Tools | Center Spot, Hot Spot, Cold Spot User-definable: 3 spots |
| Level and Span Mode | Auto/Manual |
| Data Storage and Communication | |
| Storage Media | Built-in 4 GB flash memory |
| Image Storage Capacity | Approx. 30,000 Images |
| General | |
| Wi-Fi | 802.11 b/g/n (2.4 GHz) |
| USB Interface | USB Type-C |
| LED Light | Yes |
| Battery Type | Rechargeable Li-ion battery |
| Battery Operating Time | Approx. 8 hours |
| Battery Charging Time | Approx. 3 hours fully charged |
| Protection Level | IP54 |
| Drop Test Height | 2 m (6.56 ft) |
| Working Temperature Range | -10°C to 50°C (14°F to 122°F) |
| Storage Temperature Range | -20°C to 60°C (-4°F to 140°F) |
| Relative Humidity | < 95% non-condensing |
| Weight | Approx. 360 g (0.79 lb) |
| Dimension | 221.7 mm × 73.5 mm × 123.8 mm (8.73" × 2.89" × 4.87") |
| Tripod Mounting | UNC ¼"-20 |

▪ Available Model

B1L

▪ Dimension



Unit: mm (inch)

▪ Optional Accessories



Tripod Mounting Bracket

HM-2925ZJ-TM01-BRACKET



**Thermography Camera
Macro Lens**

HM-B201-MACRO



POUCH

HM-B01-POUCH

COMPLIANCE NOTICE: The thermal series products might be subject to export controls in various countries or regions, including without limitation, the United States, European Union, United Kingdom and/or other member countries of the Wassenaar Arrangement. Please consult your professional legal or compliance expert or local government authorities for any necessary export license requirements if you intend to transfer, export, re-export the thermal series products between different countries.

