



HM-ADAPTER-62A

Adapter

The HM-ADAPTER-62A adapter connects the thermal clip-on and the daylight scope. It supports M52 × 0.75 mm thread, used for HIKMICRO THUNDER Clip-On 2.0.

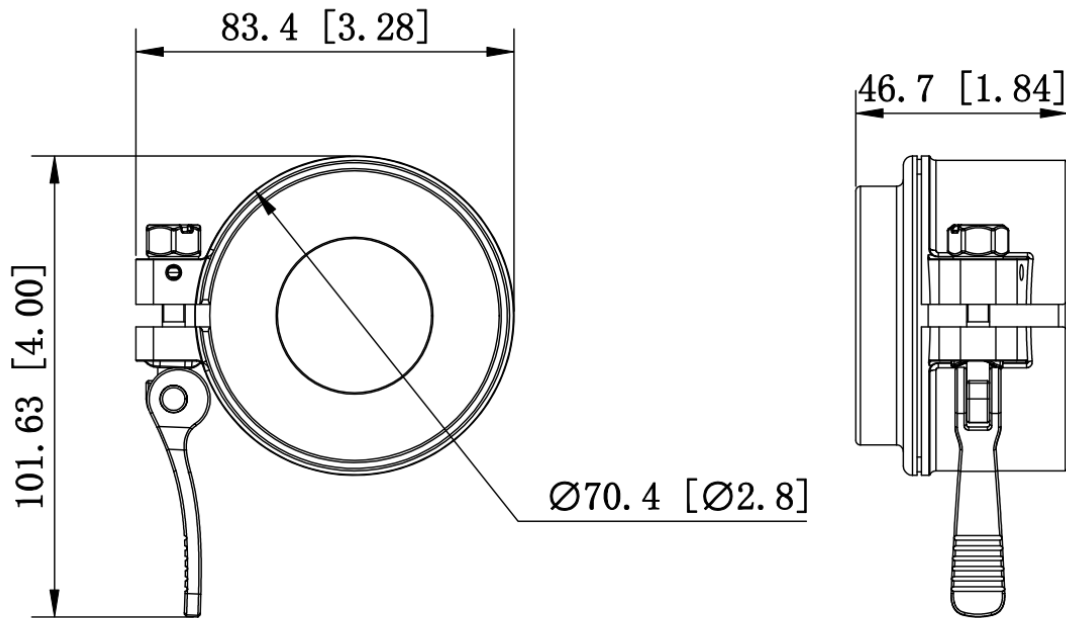
Specification

GENERAL	
DIMENSION	83.4 mm × 101.63 mm × 46.7 mm (3.28" × 4.00" × 1.84")
WEIGHT	103.3 g (0.23 lb)
MOUNTING DIAMETER	62 mm
THREAD	M52 × 0.75 mm
ACCESSORY	Hex Key, Ring

Available Model

HM-ADAPTER-62A

Dimension



Unit:mm[Inch]



HIKMICRO SIGHT



 HIKMICRO Outdoor  hikmicro_outdoor  HIKMICRO Outdoor  HIKMICRO  info@hikmicrotech.com  <http://hikmicrotech.com/en>

Room 313, Unit B, Building 2, 399 Danfeng Road, Xixing Subdistrict, Binjiang District, Hangzhou, Zhejiang
@hangzhou microimage software co.,Ltd .2020 | data subject to change without notice!