

HE25LN 5.5-22X60

Multi-Spectrum Binocular



HIKMICRO HABROK 4K HE25LN 5.5-22X60 is a powerful and innovative digital and thermal binocular designed especially for daytime use. Combined with a 256 thermal detector, an advanced 4K digital detector for a 5.5x-22x @60 mm lens, and a 1000 m laser rangefinder, this all-in-one binocular can be mainly applied in forest & field hunting, birding, animal searching, adventuring, and rescuing in various weather conditions.

Key Feature

- 256 × 192 resolution @12 μm thermal detector
- High sensitivity thermal module NETD < 35 mK (@25°C, F# = 1.0)
- 25 mm, F1.0 lens with thermal detection range up to 1200 m
- 3840 × 2160 4K ultra high-resolution CMOS detector
- 60 mm, F2.2 digital lens with 5.5x to 22x digital zoom
- 1920 × 1080 resolution 0.49-inch OLED display
- Built-in 940 nm IR illuminator and Laser Rangefinder of 1000 m measuring distance
- 795 g lightweight, with a compact and ergonomic design

Specification

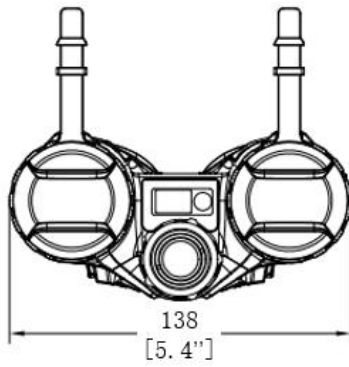
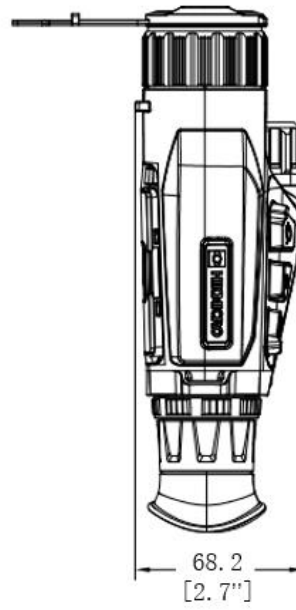
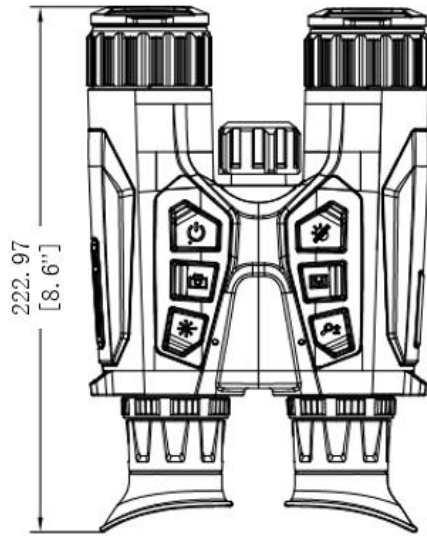
| Thermal Module | |
|--|---|
| Image Sensor | VOx Uncooled Focal Plane Arrays |
| Max. Resolution | 256 × 192 |
| Frame Rate | 50 Hz |
| Pixel Interval | 12 μm |
| Response Waveband | 8 μm to 14 μm |
| NETD | Less than 35 mK (@25°C), F# = 1.0 |
| Lens (Focal Length) | 25 mm, F1.0 |
| Focus Mode | Focus Ring |
| Detection Range | 1200 m |
| Min. Focusing Distance | 3 m |
| Magnification | 4.3x to 17.2x (4x) |
| Field of View(H × V), Degrees/ m @100m | 7.0° × 5.3°/12.2 m × 9.3 m |
| Optical Module | |
| Image Sensor | 1.88" Progressive Scan CMOS |
| Max. Resolution | 3840 × 2160 |
| Focal Length | 60 mm, F2.2 |
| Min. Working Distance | 8 m |
| Focus Mode | Focus Ring |
| Magnification | 5.5x to 22.0x (4x) |
| Field of View (H × V), Degrees/m @100 m | 6.9° × 4.1°/12.0 m × 7.2 m |
| Smart IR | Yes |
| IR Illuminator Wavelength | 940 nm |
| Viewing Range at Night | 350 m |
| Image Display | |
| Display | 0.49 inch, OLED, 1920 × 1080 |
| Palettes | Thermal: Black Hot, White Hot, Red Hot, Fusion; Optical: Day, Night, Auto |
| FFC (Flat Field Correction) Mode | Auto, Manual, External Correction |
| Exit Pupil | 8 mm |
| Eye Relief | 15 mm |
| Diopter (Range) | -5 D to +3 D |
| Brightness Adjustment | Yes |
| Tone Adjustment | Cold, warm |
| Contrast Adjustment | Yes |
| Zoom Pro | Yes |

| System | |
|---------------------------------|--|
| Record Video | Yes |
| Capture Snapshot | Yes |
| Audio Recording | Yes |
| Standby Mode | Yes |
| Storage | Built-in EMMC (64 GB) |
| PIP | Yes |
| Hotspot | Yes |
| Hot Track | Yes |
| Digital Magnetic Compass | Yes |
| GPS | Yes |
| Local Album | Yes |
| Power Supply | |
| Battery Type | Replaceable and Rechargeable Li-ion Battery |
| Battery Operating Time | ≥ 8 h (25°C, with hotspot off) |
| Type-C Power Supply | 5 VDC, 2 A Supports External Power Supply |
| General | |
| Protection Level | IP67 |
| Dimension | 138 mm × 68.2 mm × 223 mm (5.4" × 2.7" × 8.6") |
| Working Temperature | -30°C to +55°C |
| Weight | 795 g without batteries |
| Interpupillary Adjustment Range | 60 mm to 74 mm |
| Mounting Adapter | 1/4"-20-UNC |
| Laser Rangefinder | |
| Safety Class for Laser | Class 1 |
| Wavelength | 905 nm |
| Max. Measuring Range | 1000 m |
| Measurement Accuracy | ±1 m |
| Min. Measuring Range | 10 m |

• Available Model

HM-TS92-25S2G/WLVN-HE25LN

• Dimension



Unit:mm[Inch]

*Estimated dimension, for reference only

▪ Accessories



Neck Strap(x1)



Type-C Cable(x1)



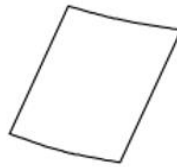
Tripod Adapter(x1)



Battery(x4)



QSG(x1)



Lint-Free Cloth(x1)



Battery Charger(x1)

COMPLIANCE NOTICE: The thermal series products might be subject to export controls in various countries or regions, including without limitation, the United States, European Union, United Kingdom and/or other member countries of the Wassenaar Arrangement. Please consult your professional legal or compliance expert or local government authorities for any necessary export license requirements if you intend to transfer, export, re-export the thermal series products between different countries.



HIKMICRO SIGHT



Hikmicro Hunting.Global HIKMICRO Outdoor www.hikmicrotech.com hikmicro hunting.global HIKMICRO info@hikmicrotech.com

Room 313, Unit B, Building 2, 399 Danfeng Road, Xixing Subdistrict, Binjiang District, Hangzhou, Zhejiang
© Hangzhou Microimage Software Co., Ltd. All rights reserved. | Data subject to change without notice!