

Handheld Thermography Camera HIKMICRO Pocket Series

Quick Start Guide



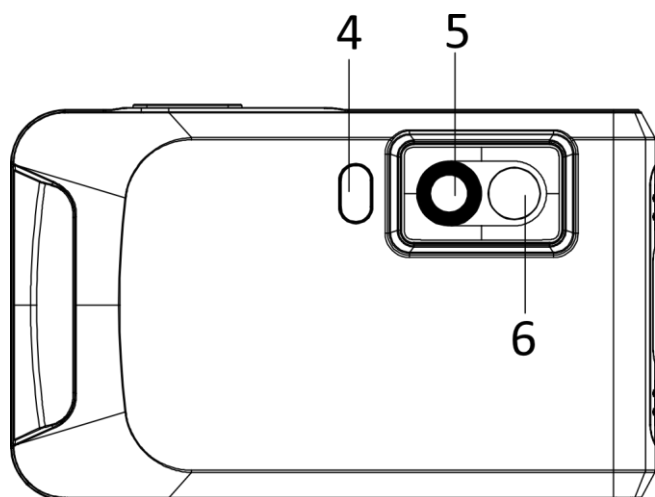
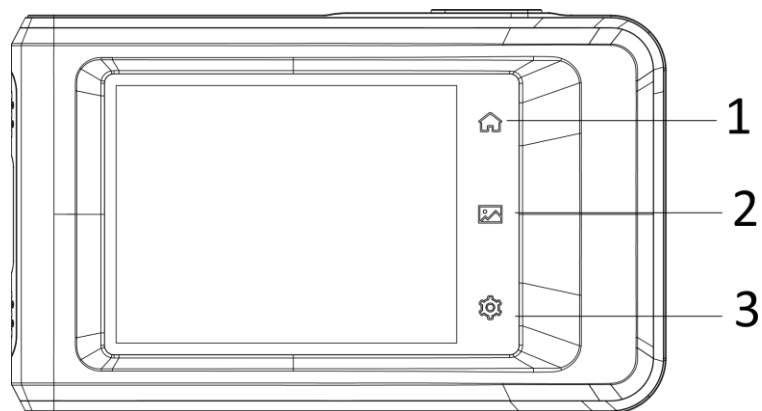
HIKMICRO Viewer Android



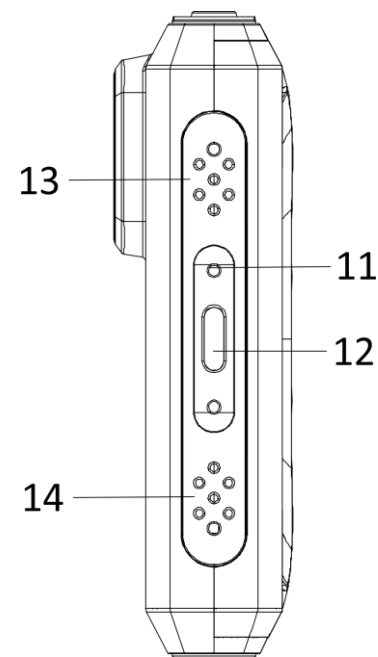
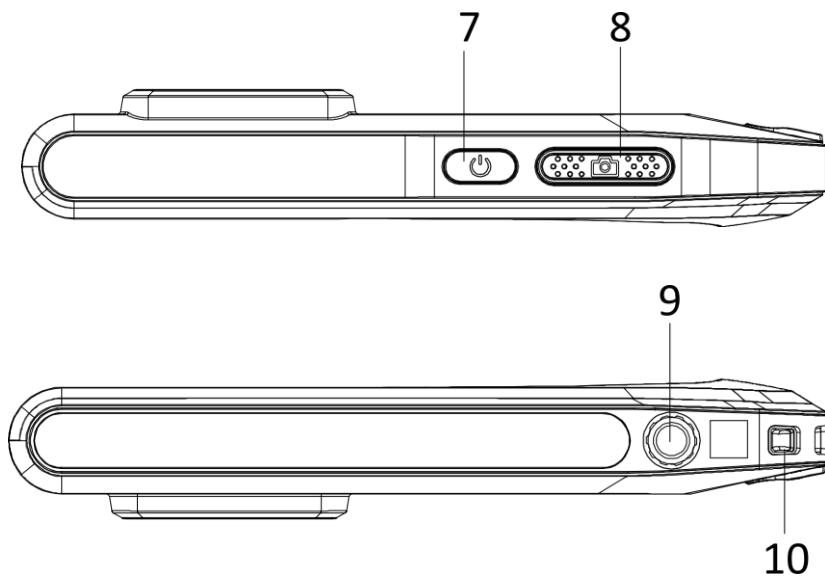
HIKMICRO Viewer iOS

Table of Contents

<i>English</i>	<i>1</i>	<i>Norsk</i>	<i>91</i>
<i>Deutsch</i>	<i>8</i>	<i>Suomi</i>	<i>98</i>
<i>Français</i>	<i>15</i>	<i>Svenska</i>	<i>104</i>
<i>Español</i>	<i>22</i>	<i>Русский</i>	<i>111</i>
<i>Português</i>	<i>29</i>	<i>Türkçe</i>	<i>118</i>
<i>Italiano</i>	<i>36</i>	日本語	<i>125</i>
<i>Čeština</i>	<i>43</i>	한국어	<i>132</i>
<i>Slovenčina</i>	<i>50</i>	繁體中文	<i>139</i>
<i>Polski</i>	<i>57</i>		
<i>Magyar</i>	<i>64</i>		
<i>Română</i>	<i>71</i>		
<i>Nederlands</i>	<i>78</i>		
<i>Dansk</i>	<i>85</i>		



No.	Description	Function
1	Home Key	Tap to return to the live view interface.
2	File Key	Tap to enter albums.
3	Settings Key	Tap to enter settings interface.
4	Flash Light	Fill light on objects and output flashing alarm.
5	Thermal Lens	View the thermal image.
6	Optical Lens	View the optical image.



No.	Description	Function
7	Power Key	Hold to power on/off the device.
8	Capture Key	<ul style="list-style-type: none"> ● Press in live view mode: capture snapshots/stop recording ● Press in menu mode: return to the live view interface ● Hold: start recording
9	Tripod Mount	Mount the tripod.
10	Strap Attachment Point	Mount the strap.
11	Indicator	Indicate the charging status of the device. <ul style="list-style-type: none"> ● Solid red: charging normally ● Flashing red: charging exception ● Solid green: fully charged
12	Type-C Interface	Charge the device or export files with Type-C cable.
13	Buzzer	Output audible alarm.

Temperature Measurement

With the built-in high-sensitivity IR detector and high-performance sensor, the temperature measurement range is -20 °C to 400 °C (-4 °F to 752 °F), and the temperature measurement accuracy is ± 2 °C (± 3.6 °F) or 2% when the ambient temperature is 15 °C to 35 °C (59 °F to 95 °F) and the object temperature is above 0 °C (32 °F).

Swipe-down Menu

You can adjust the brightness in the swip-down menu, and enable functions such as Wi-Fi, Bluetooth, Hotspot, Screen Cast, flashlight, Auto-Rotate, and Dark/Bright Mode.

Client Software Connection

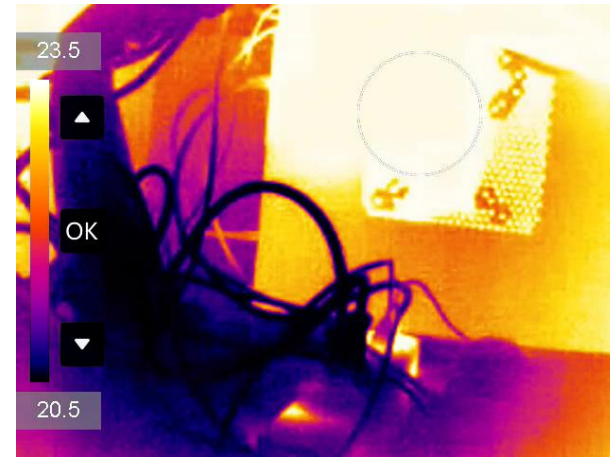
You can view live view, capture snapshots, and record videos via HIKMICRO Viewer App on your phone. Scan the QR codes on the cover to download the App.

And you can download HIKMICRO Analyzer (<https://www.hikmicrotech.com>) to analyze pictures offline professionally, and generate a custom format report on your PC.

Image Adjustment

The Level & Span can be manually or automatically adjusted to achieve a good thermal effect for better temperature difference analysis.

In auto mode, the device adjusts temperature range parameters automatically. In manual mode, you can tap an interest area of the screen, or tap the arrows on the left side of the screen to adjust the temperature range to diaplay.



Note: Your camera will periodically perform a self-calibration to optimize image quality and measurement accuracy. In this process the image will pause briefly and you'll hear a “click” as a shutter moves in front of the detector. The prompt “Calibrating ...” appears in the upper center of the screen as the device is calibrating itself. The self-calibration will be more frequent during start up or in very cold or hot environments. This is a normal part of operation to ensure optimum performance for your camera.

User Manual

For detailed operation guidance, please scan the QR code to get the user manual.



Legal Information


©2022 Hangzhou Microimage Software Co., Ltd. All rights reserved.

About this Manual

The Manual includes instructions for using and managing the Product.

Pictures, charts, images and all other information hereinafter are for description and explanation only. The information contained in the Manual is subject to change, without notice, due to firmware updates or other reasons. Please find the latest version of this Manual at the HIKMICRO website (www.hikmicrotech.com/). Please use this Manual with the guidance and assistance of professionals trained in supporting the Product.

Trademarks Acknowledgement

 **HIKMICRO** and other HIKMICRO's trademarks and logos are the properties of HIKMICRO in various jurisdictions. Other trademarks and logos mentioned are the properties of their respective owners.

LEGAL DISCLAIMER

TO THE MAXIMUM EXTENT PERMITTED BY APPLICABLE LAW, THIS MANUAL AND THE PRODUCT DESCRIBED, WITH ITS HARDWARE,

SOFTWARE AND FIRMWARE, ARE PROVIDED "AS IS" AND "WITH ALL FAULTS AND ERRORS". HIKMICRO MAKES NO WARRANTIES, EXPRESS OR IMPLIED, INCLUDING WITHOUT LIMITATION, MERCHANTABILITY, SATISFACTORY QUALITY, OR FITNESS FOR A PARTICULAR PURPOSE. THE USE OF THE PRODUCT BY YOU IS AT YOUR OWN RISK. IN NO EVENT WILL HIKMICRO BE LIABLE TO YOU FOR ANY SPECIAL, CONSEQUENTIAL, INCIDENTAL, OR INDIRECT DAMAGES, INCLUDING, AMONG OTHERS, DAMAGES FOR LOSS OF BUSINESS PROFITS, BUSINESS INTERRUPTION, OR LOSS OF DATA, CORRUPTION OF SYSTEMS, OR LOSS OF DOCUMENTATION, WHETHER BASED ON BREACH OF CONTRACT, TORT (INCLUDING NEGLIGENCE), PRODUCT LIABILITY, OR OTHERWISE, IN CONNECTION WITH THE USE OF THE PRODUCT, EVEN IF HIKMICRO HAS BEEN ADVISED OF THE POSSIBILITY OF SUCH DAMAGES OR LOSS. YOU ACKNOWLEDGE THAT THE NATURE OF THE INTERNET PROVIDES FOR INHERENT SECURITY RISKS, AND HIKMICRO SHALL NOT TAKE ANY RESPONSIBILITIES FOR ABNORMAL OPERATION, PRIVACY LEAKAGE OR OTHER DAMAGES RESULTING FROM CYBER-ATTACK, HACKER ATTACK, VIRUS INFECTION, OR OTHER INTERNET SECURITY RISKS; HOWEVER, HIKMICRO WILL PROVIDE TIMELY TECHNICAL SUPPORT IF REQUIRED. YOU AGREE TO USE THIS PRODUCT IN COMPLIANCE WITH ALL APPLICABLE LAWS, AND YOU ARE SOLELY RESPONSIBLE FOR ENSURING THAT YOUR USE CONFORMS TO THE APPLICABLE LAW. ESPECIALLY, YOU ARE RESPONSIBLE, FOR USING THIS PRODUCT IN A MANNER THAT DOES NOT INFRINGE ON THE RIGHTS OF THIRD PARTIES, INCLUDING WITHOUT LIMITATION, RIGHTS OF PUBLICITY, INTELLECTUAL PROPERTY RIGHTS, OR DATA PROTECTION AND OTHER PRIVACY RIGHTS. YOU SHALL NOT USE THIS PRODUCT FOR ANY PROHIBITED END-USES, INCLUDING THE DEVELOPMENT OR PRODUCTION OF WEAPONS OF MASS DESTRUCTION, THE DEVELOPMENT OR PRODUCTION OF CHEMICAL OR BIOLOGICAL WEAPONS, ANY ACTIVITIES IN THE CONTEXT RELATED TO ANY NUCLEAR EXPLOSIVE OR UNSAFE NUCLEAR FUEL-CYCLE, OR IN SUPPORT OF HUMAN RIGHTS ABUSES. IN THE EVENT OF ANY CONFLICTS BETWEEN THIS MANUAL AND THE APPLICABLE LAW, THE LATTER PREVAILS.

Regulatory Information

FCC Information

Please take attention that changes or modification not expressly approved by the party responsible for compliance could void the user's authority to operate the equipment.

FCC compliance: This equipment has been tested and found to comply with the limits for a Class B digital device, pursuant to part 15 of the

FCC Rules. These limits are designed to provide reasonable protection against harmful interference in a residential installation. This equipment generates, uses and can radiate radio frequency energy and, if not installed and used in accordance with the instructions, may cause harmful interference to radio communications. However, there is no guarantee that interference will not occur in a particular installation. If this equipment does cause harmful interference to radio or television reception, which can be determined by turning the equipment off and on, the user is encouraged to try to correct the interference by one or more of the following measures:

- Reorient or relocate the receiving antenna.
- Increase the separation between the equipment and receiver.
- Connect the equipment into an outlet on a circuit different from that to which the receiver is connected.
- Consult the dealer or an experienced radio/TV technician for help.

FCC Conditions


This device complies with part 15 of the FCC Rules. Operation is subject to the following two conditions:


1. This device may not cause harmful interference.
2. This device must accept any interference received, including interference that may cause undesired operation.

Note: Due to the device size limit, the above statement may not be disclaimed on the device.

This equipment complies with FCC radiation exposure limits set forth for an uncontrolled environment.

EU Conformity Statement

 This product and - if applicable - the supplied accessories too are marked with "CE" and comply therefore with the applicable harmonized European standards listed under the Directive 2014/30/EU (EMCD), Directive 2014/35/EU (LVD), Directive 2011/65/EU (RoHS).

 This product and - if applicable - the supplied accessories too are marked with "UKCA" and comply therefore with the following directives: Radio Equipment Regulations 2017, Electromagnetic Compatibility Regulations 2016, Electrical Equipment (Safety) Regulations 2016, the Restriction of the Use of Certain Hazardous Substances in Electrical and Electronic Equipment Regulations 2012.

Restrictions in the 5 GHz band:

According to Article 10 (10) of Directive 2014/53/EU, when operating in the 5150 to 5350 MHz frequency range, this device is restricted to indoor use in: Austria (AT), Belgium (BE), Bulgaria (BG), Croatia (HR), Cyprus (CY), the Czech Republic (CZ), Denmark (DK), Estonia (EE), Finland (FI), France (FR), Germany (DE), Greece (EL), Hungary (HU), Iceland (IS), Ireland (IE), Italy (IT), Latvia (LV), Liechtenstein (LI), Lithuania (LT), Luxembourg (LU), Malta (MT), Netherlands (NL), Northern Ireland (UK(NI)), Norway (NO), Poland (PL), Portugal (PT), Romania (RO), Slovakia (SK), Slovenia (SI), Spain (ES), Sweden (SE), Switzerland (CH), and Turkey (TR).

The frequency bands and the nominal limits of transmitted power (radiated and/or conducted) applicable to this radio device are the following:

Wi-Fi: 2.4 GHz (2.4 GHz to 2.4835 GHz): 20 dBm; 5 GHz (5.15 GHz to 5.25 GHz): 23 dBm; 5 GHz (5.25 GHz to 5.35 GHz): 23 dBm; 5 GHz (5.47 GHz to 5.725GHz): 23 dBm; 5 GHz (5.725 GHz to 5.85 GHz): 14 dBm

Bluetooth: 2.4 GHz (2.4 GHz to 2.4835 GHz): 20 dBm

Use the power adapter provided by a qualified manufacturer. Refer to the product specification for detailed power requirements.

Use the battery provided by a qualified manufacturer. Refer to the product specification for detailed battery requirements.



Directive 2012/19/EU (WEEE Directive): Products marked with this symbol cannot be disposed of as unsorted municipal waste in the European Union. For proper recycling, return this product to your local supplier upon the purchase of equivalent new equipment, or dispose of it at designated collection points. For more information see: www.recyclethis.info

According to the Waste Electrical and Electronic Equipment Regulations 2013: Products marked with this symbol cannot be disposed of as unsorted municipal waste in the United Kingdom. For proper recycling, return this product to your local supplier upon the purchase of equivalent new equipment, or dispose of it at designated collection points. For more information see: www.recyclethis.info.



Directive 2006/66/EC and its amendment 2013/56/EU (Battery Directive): This product contains a battery that cannot be disposed of as unsorted municipal waste in the

European Union. See the product documentation for specific battery information. The battery is marked with this symbol, which may include lettering to indicate cadmium (Cd), lead (Pb), or mercury (Hg). For proper recycling, return the battery to your supplier or to a designated collection point. For more information see: www.recyclethis.info.

According to the Batteries and Accumulators (Placing on the Market) Regulations 2008 and the Waste Batteries and Accumulators Regulations 2009: This product contains a battery that cannot be disposed of as unsorted municipal waste in the United Kingdom. See the product documentation for specific battery information. The battery is marked with this symbol, which may include lettering to indicate cadmium (Cd), lead (Pb), or mercury (Hg). For proper recycling, return the battery to your supplier or to a designated collection point. For more information see: www.recyclethis.info.

Industry Canada ICES-003 Compliance

This device meets the CAN ICES-003 (B)/NMB-003 (B) standards requirements.

This device complies with Industry Canada licence-exempt RSS standard(s). Operation is subject to the following two conditions:

- (1) this device may not cause interference, and
- (2) this device must accept any interference, including interference that may cause undesired operation of the device.

Le présent appareil est conforme aux CNR d'Industrie Canada applicables aux appareils radioexempts de licence. L'exploitation est autorisée aux deux conditions suivantes:

- (1) l'appareil ne doit pas produire de brouillage, et
- (2) l'utilisateur de l'appareil doit accepter tout brouillage radioélectrique subi, même si le brouillage est susceptible d'en compromettre le fonctionnement.

This equipment complies with IC RSS-102 radiation exposure limits set forth for an uncontrolled environment.

ce matériel est conforme aux limites de dose d'exposition aux rayonnements, CNR-102 énoncée dans un autre environnement.

- (i) The device for operation in the band 5150-5250 MHz is only for indoor use to reduce the potential for harmful interference to co-channel mobile satellite systems;
- (ii) The maximum antenna gain permitted for devices in the bands 5250-5350 MHz and 5470-5725 MHz shall comply with the e.i.r.p. limit; and

(iii) The maximum antenna gain permitted for devices in the band 5725-5825 MHz shall comply with the e.i.r.p. limits specified for point-to-point and non point-to-point operation as appropriate.

(i) Les dispositifs fonctionnant dans la bande 5150-5250 MHz sont réservés uniquement pour une utilisation à l'intérieur afin de réduire les risques de brouillage préjudiciable aux systèmes de satellites mobiles utilisant les mêmes canaux.

(ii) Le gain d'antenne maximal autorisé pour les appareils dans les bandes 5250-5350 MHz et 5470-5725 MHz doivent respecter le pire limiter; et

(iii) Le gain d'antenne maximal autorisé pour les appareils dans la bande 5725-5825 MHz doivent respecter le pire limites spécifiées pour le point-à-point et l'exploitation non point à point, le cas échéant.

KC

B급 기기: 이 기기는 가정용(B급) 전자파적합기기로서 주로 가정에서 사용하는 것을 목적으로 하며, 모든 지역에서 사용할 수 있습니다.

Safety Instruction

These instructions are intended to ensure that user can use the product correctly to avoid danger or property loss.

Laws and Regulations

- Use of the product must be in strict compliance with the local electrical safety regulations.

Transportation

- Keep the device in original or similar packaging while transporting it.
- Keep all wrappers after unpacking them for future use. In case of any failure occurred, you need to return the device to the factory with the original wrapper. Transportation without the original wrapper may result in damage on the device and the company shall not take any responsibilities.
- Do not drop the product or subject it to physical shock. Keep the device away from magnetic interference.

Power Supply

- The input voltage should meet the Limited Power Source (3.85 VDC, 570 mA) according to the IEC62368 standard. Please refer to technical specifications for detailed information.
- Make sure the plug is properly connected to the power socket.
- DO NOT connect multiple devices to one power adapter, to avoid over-heating or fire hazards caused by overload.
- Use the power adapter provided by a qualified manufacturer. Refer

to the product specification for detailed power requirements.

Battery

- Please charge the device for 3 hours before using for the first time.
- Improper use or replacement of the battery may result in explosion hazard. Replace with the same or equivalent type only. Dispose of used batteries in conformance with the instructions provided by the battery manufacturer.
- The built-in battery cannot be dismantled. Please contact the manufacture for repair if necessary.
- DO NOT charge other battery types with the supplied charger. Confirm there is no flammable material within 2 m of the charger during charging.
- For long-term storage of the battery, make sure it is fully charged every half year to ensure the battery quality. Otherwise, damage may occur.
- Use the battery provided by a qualified manufacturer. Refer to the product specification for detailed battery requirements.
- DO NOT place the battery near heating or fire source. Avoid direct sunlight.
- DO NOT swallow the battery to avoid chemical burns.
- DO NOT place the battery in the reach of children.
- When the device is powered off and the RTC battery is full, the time settings can be kept for 6 months.
- In the first use, charge the device for more than 2.5 hours in the power-off status.
- The battery voltage is 3.85 V, and the battery capacity is 2100 mAh.
- The battery is certified by UL2054.

Maintenance

- If the product does not work properly, please contact your dealer or the nearest service center. We shall not assume any responsibility for problems caused by unauthorized repair or maintenance.
- A few device components (e.g., electrolytic capacitor) require regular replacement. The average lifespan varies, so periodic checking is recommended. Contact your dealer for details.
- Wipe the device gently with a clean cloth and a small quantity of ethanol, if necessary.
- If the equipment is used in a manner not specified by the manufacturer, the protection provided by the device may be impaired.

Calibration Service

- We recommend you send the device back for calibration once a year, and please contact the local dealer for the information on maintenance points. For more detailed calibration services, please refer to <https://www.hikmicrotech.com/en/calibrationservices/2>.

Using Environment

- DO NOT expose the device to extremely hot, cold, dusty, corrosive, saline-alkali, or damp environments. Make sure the running environment meets the requirement of the device. The operating temperature shall be -10 °C to 50 °C (14 °F to 122 °F), and the operating humidity shall be 95% or less.
- This device can only be safely used in the region below 2000 meters above the sea level.
- Place the device in a dry and well-ventilated environment.
- DO NOT expose the device to high electromagnetic radiation or dusty environments.
- DO NOT aim the lens at the sun or any other bright light.
- When any laser equipment is in use, make sure that the device lens is not exposed to the laser beam, or it may burn out.
- The device is suitable for indoor and outdoor uses, but do not expose it in wet conditions.
- The level of protection is IP 54.
- The pollution degree is 2.

Technical Support

- The <https://www.hikmicrotech.com> portal will help you as a HIKMICRO customer to get the most out of your HIKMICRO products. The portal gives you access to our support team, software and documentation, service contacts, etc.

Emergency

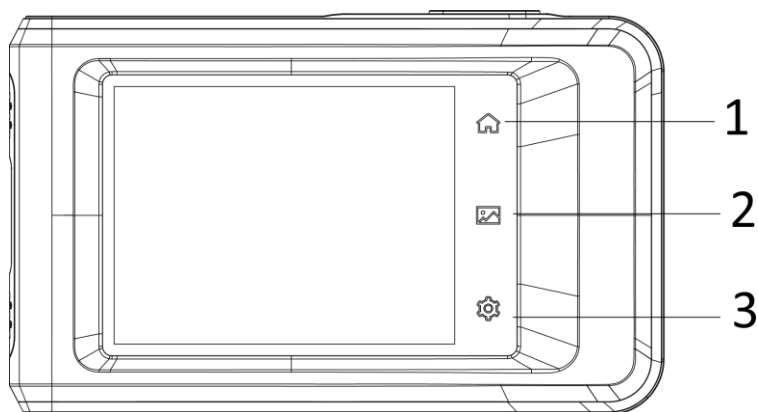
- If smoke, odor, or noise arises from the device, immediately turn off the power, unplug the power cable, and contact the service center.

Manufacture Address

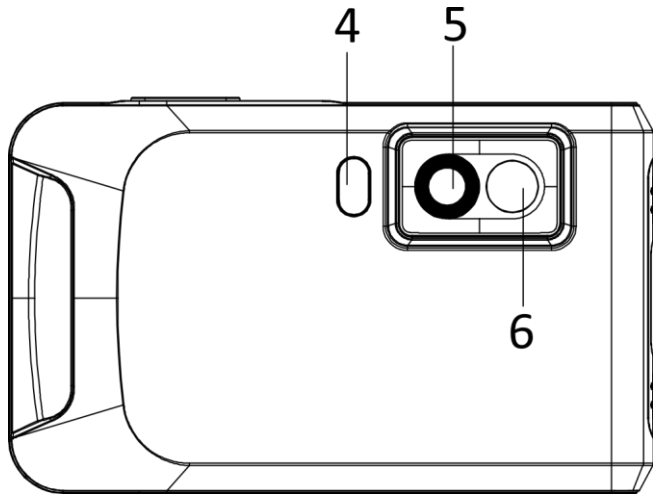
Room 313, Unit B, Building 2, 399 Danfeng Road, Xixing Subdistrict, Binjiang District, Hangzhou, Zhejiang 310052, China
Hangzhou Microimage Software Co., Ltd.

COMPLIANCE NOTICE: The thermal series products might be subject to export controls in various countries or regions, including without limitation, the United States, European Union, United Kingdom and/or other member countries of the Wassenaar Arrangement. Please consult your professional legal or compliance expert or local government authorities for any necessary export license requirements if you intend to transfer, export, re-export the thermal series products between different countries

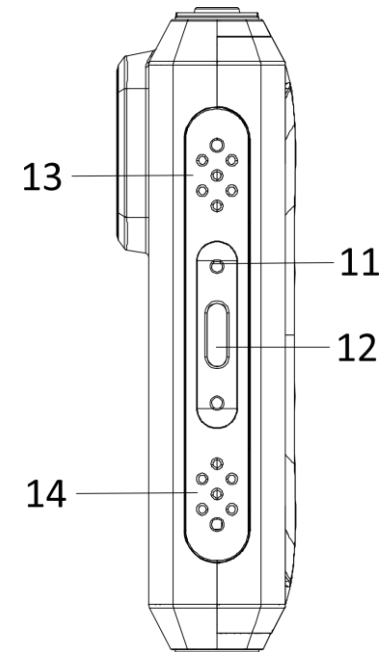
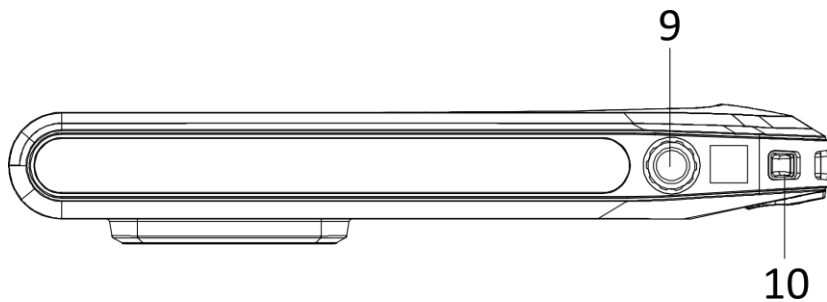
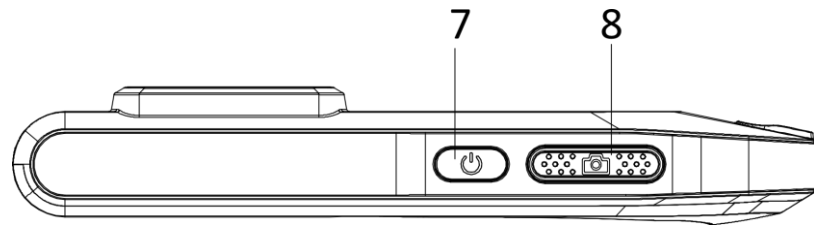
Deutsch



Nr.	Beschreibung	Funktion
1	Startseite	Antippen, um zur Live-Ansicht zurückzukehren.
2	Datei	Antippen, um Alben aufzurufen.
3	Einstellungen	Antippen, um die Einstellungen aufzurufen.



- | | | |
|---|--------------------|---------------------------------------------------|
| 4 | Taschenlampe | Beleuchtet Objekte und gibt einen Blinkalarm aus. |
| 5 | Wärmebildobjektiv | Wärmebild anzeigen. |
| 6 | Optisches Objektiv | Optisches Bild anzeigen. |



<i>Nr.</i>	<i>Beschreibung</i>	<i>Funktion</i>
7	Ein/Aus	Zum Ein- und Ausschalten des Geräts gedrückt halten.
8	Aufnahme	<ul style="list-style-type: none"> ● Im Live-Ansicht-Modus drücken: Fotos erfassen/Aufnahme stoppen ● Im Menümodus drücken: Zur Live-Ansicht zurückkehren ● Gedrückt halten: Aufzeichnung starten
9	Befestigung für ein Stativ	Befestigung für ein Stativ.
10	Riemenbefestigungspunkt	Befestigt den Riemen.
11	Statusanzeige	<p>Zeigt den Ladestatus des Geräts an.</p> <ul style="list-style-type: none"> ● Leuchtet rot: normaler Ladevorgang ● Blinkt rot: Ausnahme beim Laden ● Leuchtet grün: vollständig aufgeladen
12	Type-C-Schnittstelle	Laden Sie mit dem Type-C-Kabel das Gerät auf oder exportieren Sie Dateien.
13	Summer	Akustischen Alarm ausgeben.
14	Mikrofon	Audio aufnehmen.

Temperaturmessung

Der Temperaturmessbereich beträgt mit dem eingebauten hochempfindlichen IR-Detektor und dem Hochleistungssensor -20 °C bis +400 °C. Die Temperaturmessgenauigkeit beträgt ± 2 °C oder 2 %, wenn die Umgebungstemperatur zwischen +15 °C und +35 °C sowie die Objekttemperatur über 0 °C liegt.

Nach-unten-wischen-Menü

Sie können die Helligkeit im Swipe-Down-Menü einstellen und Funktionen wie WLAN, Bluetooth, Hotspot, Screen Cast, Taschenlampe, Auto-Rotate und Dunkel/Hell-Modus aktivieren.

Client-Software-Verbindung

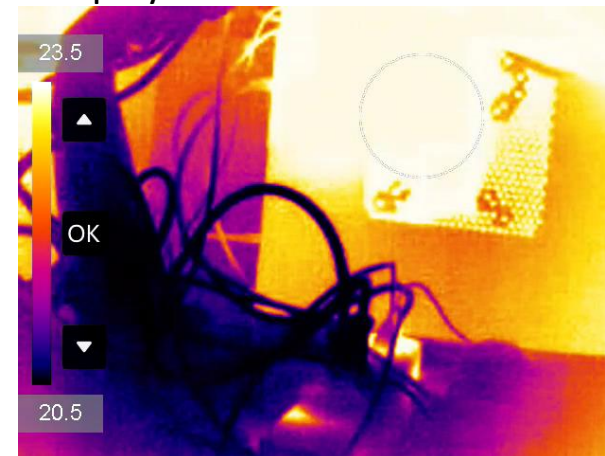
Sie können auf Ihrem Handy über die HIKMICRO Viewer-App die Live-Ansicht anzeigen, Fotos erfassen und

Videos aufnehmen. Scannen Sie die QR-Codes auf der Abdeckung, um die App herunterzuladen. Und Sie können den HIKMICRO Analyzer (<https://www.hikmicrotech.com>) herunterladen, um Bilder offline professionell zu analysieren und einen Bericht im benutzerdefinierten Format auf Ihrem PC zu erstellen.

Bildeinstellung

Pegel und Spanne können manuell oder automatisch eingestellt werden, um einen guten thermischen Effekt für eine bessere Temperaturdifferenzanalyse zu erzielen.

Im Automatikmodus stellt das Gerät die Temperaturbereichsparameter automatisch ein. Im manuellen Modus können Sie auf einen interessanten Bereich des Bildschirms oder auf die Pfeile auf der linken Seite des Bildschirms tippen, um den Temperaturbereich für das Display einzustellen.



Hinweis: Ihre Kamera führt in regelmäßigen Abständen eine Selbstkalibrierung durch, um Bildqualität und Messgenauigkeit zu optimieren. Bei diesem Vorgang wird stoppt das Bild kurz und Sie hören einen „Klickton“, wenn sich ein Verschluss vor dem Detektor bewegt. Die Aufforderung „Kalibrierung...“ erscheint in der oberen Mitte des Bildschirms, während sich das Gerät selbst kalibriert. Die Selbstkalibrierung findet während des Startvorgangs oder in sehr kalten oder heißen Umgebungen häufiger statt. Dies ist ein normaler Vorgang, um die optimale Leistung Ihrer Kamera zu erzielen.

Benutzerhandbuch

Scannen Sie für eine ausführliche Anleitung bitte den QR-Code, um das Benutzerhandbuch herunterzuladen.




Rechtliche Informationen

©2022 Hangzhou Microimage Software Co., Ltd. Alle Rechte vorbehalten.

Hinweise zu dieser Bedienungsanleitung

Die Bedienungsanleitung enthält Anleitungen zur Verwendung und Verwaltung des Produkts. Bilder, Diagramme, Abbildungen und alle sonstigen Informationen dienen nur der Beschreibung und Erklärung. Die Änderung der in der Bedienungsanleitung enthaltenen Informationen ist aufgrund von Firmware-Aktualisierungen oder aus anderen Gründen vorbehalten. Die neueste Version dieses Handbuchs finden Sie auf der HIKMICRO-Website (www.hikmicrotech.com/). Bitte verwenden Sie diese Bedienungsanleitung unter Anleitung und Unterstützung von Fachleuten, die für den Support des Produkts geschult sind.

Marken

 **HIKMICRO** und andere Marken und Logos von HIKMICRO sind Eigentum von HIKMICRO in verschiedenen Gerichtsbarkeiten. Andere hier erwähnte Marken und Logos sind Eigentum ihrer jeweiligen Inhaber.

HAFTUNGSAUSSCHLUSS


DIESE BEDIENUNGSANLEITUNG UND DAS BESCHRIEBENE PRODUKT MIT SEINER HARDWARE, SOFTWARE UND FIRMWARE WERDEN, SOWEIT GESETZLICH ZULÄSSIG, IN DER „VORLIEGENDEN FORM“ UND MIT „ALLEN FEHLERN UND IRRTÜMERN“ BEREITGESTELLT. HIKMICRO GIBT KEINE GARANTIE, WEDER AUSDRÜCKLICH NOCH STILLSCHWEIGEND, EINSCHLIEßLICH, ABER NICHT DARAUF BESCHRÄNKT, MARKTGÄNGIGKEIT, ZUFRIEDENSTELLENDEN QUALITÄT

ODER EIGNUNG FÜR EINEN BESTIMMTEN ZWECK. DIE NUTZUNG DES PRODUKTS DURCH SIE ERFOLGT AUF IHRE EIGENE GEFAHR. IN KEINEM FALL IST HIKMICRO IHNEN GEGENÜBER HAFTBAR FÜR BESONDERE, ZUFÄLLIGE, DIREKTE ODER INDIREKTE SCHÄDEN, EINSCHLIEßLICH, JEDOCH NICHT DARAUF BESCHRÄNKT, VERLUST VON GESCHÄFTSGEWINNEN, GESCHÄFTSUNTERBRECHUNG, DATENVERLUST, SYSTEMBESCHÄDIGUNG, VERLUST VON DOKUMENTATIONEN, SEI ES AUFGRUND VON VERTRAGSBRUCH, UNERLAUBTER HANDLUNG (EINSCHLIEßLICH FAHRLÄSSIGKEIT), PRODUKTHAFTUNG ODER ANDERWEITIG, IN VERBINDUNG MIT DER VERWENDUNG DIESES PRODUKTS, SELBST WENN HIKMICRO ÜBER DIE MÖGLICHKEIT DERARTIGER SCHÄDEN ODER VERLUSTE INFORMIERT WAR.

SIE ERKENNEN AN, DASS DIE NATUR DES INTERNETS DAMIT VERBUNDENE SICHERHEITSRISIKEN BEINHÄLTET. HIKMICRO ÜBERNIMMT KEINE VERANTWORTUNG FÜR ANORMALEN BETRIEB, DATENVERLUST ODER ANDERE SCHÄDEN, DIE SICH AUS CYBERANGRIFFEN, HACKERANGRIFFEN, VIRUSINFEKTION ODER ANDEREN SICHERHEITSRISIKEN IM INTERNET ERGEBEN. HIKMICRO WIRD JEDOCH BEI BEDARF ZEITNAH TECHNISCHEM SUPPORT LEISTEN. SIE STIMMEN ZU, DIESES PRODUKT IN ÜBEREINSTIMMUNG MIT ALLEN GELTENDEN GESETZEN ZU VERWENDEN, UND SIE SIND ALLEIN DAFÜR VERANTWORTLICH, DASS IHRE VERWENDUNG GEGEN KEINE GELTENDEN GESETZE VERSTÖßT. INSBESONDERE SIND SIE DAFÜR VERANTWORTLICH, DIESES PRODUKT SO ZU VERWENDEN, DASS DIE RECHTE DRITTER NICHT VERLETZT WERDEN, EINSCHLIEßLICH, ABER NICHT BESCHRÄNKT AUF VERÖFFENTLICHUNGSRECHTE, DIE RECHTE AN GEISTIGEM EIGENTUM ODER DEN DATENSCHUTZ UND ANDERE PERSÖNLICHKEITSRECHTE. SIE DÜRFEN DIESES PRODUKT NICHT FÜR VERBOTENE ENDANWENDUNGEN VERWENDEN, EINSCHLIEßLICH DER ENTWICKLUNG ODER HERSTELLUNG VON MASSENVERNICHTUNGSWAFFEN, DER ENTWICKLUNG ODER HERSTELLUNG CHEMISCHER ODER BIOLOGISCHER WAFFEN, JEDLICHER AKTIVITÄTEN IM ZUSAMMENHANG MIT EINEM NUKLEAREN SPRENGKÖRPER ODER UNSICHEREN NUKLEAREN BRENNSTOFFKREISLAUF BZW. ZUR UNTERSTÜTZUNG VON MENSCHENRECHTSVERLETZUNGEN. IM FALL VON WIDERSPRÜCHEN ZWISCHEN DIESER BEDIENUNGSANLEITUNG UND GELTENDEM RECHT IST LETZTERES MASSGEBLICH.

Behördliche Informationen

EU-Konformitätserklärung

 Dieses Produkt und – gegebenenfalls – das mitgelieferte Zubehör tragen das „CE“-Kennzeichen und entsprechen daher den geltenden harmonisierten europäischen Normen, die in der Richtlinie 2014/30/EU (EMV), der Richtlinie 2014/35/EU (NSR) und der Richtlinie 2011/65/EU (RoHS) aufgeführt sind.

Beschränkungen im 5-GHz-Band:

Entsprechend dem Artikel 10 (10) der Richtlinie 2014/53/EU ist dieses Gerät beim Betrieb im Frequenzbereich von 5150 bis 5350 MHz auf die Verwendung im Innenbereich beschränkt: Österreich (AT), Belgien (BE), Bulgarien (BG), Kroatien (HR), Zypern (CY), Tschechische Republik (CZ), Dänemark (DK), Estland (EE), Finnland (FI), Frankreich (FR), Deutschland (DE), Griechenland (EL), Ungarn (HU), Island (IS), Irland (IE), Italien (IT), Lettland (LV), Liechtenstein (LI), Litauen (LT), Luxemburg (LU), Malta (MT), Niederlande (NL), Nordirland (UK(NI)), Norwegen (NO), Polen (PL), Portugal (PT), Rumänien (RO), Slowakei (SK), Slowenien (SI), Spanien (ES), Schweden (SE), Schweiz (CH) und Türkei (TR).

Die für dieses Funkgerät geltenden Frequenzbänder und Nennleistungswerte der Sendeleistung (abgestrahlt und/oder leitungsgeführt) sind folgende:

WLAN: 2,4 GHz (2,4 GHz bis 2,4835 GHz): 20 dBm; 5 GHz (5,15 GHz bis 5,25 GHz): 23 dBm; 5 GHz (5,25 GHz bis 5,35 GHz): 23 dBm; 5 GHz (5,47 GHz bis 5,725GHz): 23 dBm; 5 GHz (5,725 GHz bis 5,85 GHz): 14 dBm

Bluetooth: 2,4 GHz (2,4 GHz bis 2,4835 GHz): 20 dBm

Verwenden Sie das von einem zugelassenen Hersteller mitgelieferte Netzteil. Detaillierte Angaben zum Strombedarf finden Sie in der Produktspezifikation.

Verwenden Sie nur einen von einem qualifizierten Hersteller gelieferten Akku. Detaillierte Angaben zu den Batterie-/Akku-Anforderungen finden Sie in der Produktspezifikation.



Richtlinie 2012/19/EU (WEEE-richtlinie): Produkte, die mit diesem Symbol gekennzeichnet sind, dürfen innerhalb der Europäischen Union nicht mit dem Hausmüll entsorgt werden.

Für korrektes Recycling geben Sie dieses Produkt an Ihren örtlichen Fachhändler zurück oder entsorgen Sie es an einer der Sammelstellen. Weitere Informationen finden Sie unter: www.recyclethis.info



Richtlinie 2006/66/EC und ihre Änderung 2013/56/EU (Akkurichtlinie): Dieses Produkt enthält einen Akku, der innerhalb der Europäischen Union nicht mit dem Hausmüll entsorgt werden darf. Siehe Produktdokumentation für spezifische Hinweise zu Akkus oder Batterien. Der Akku ist mit diesem Symbol gekennzeichnet, das zusätzlich die Buchstaben Cd für Cadmium, Pb für Blei oder Hg für Quecksilber enthalten kann. Für korrektes Recycling geben Sie die Akkus/Batterien an Ihren örtlichen Fachhändler zurück oder entsorgen Sie sie an einer der Sammelstellen. Weitere Informationen finden Sie unter: www.recyclethis.info.

Sicherheitshinweis

Diese Anleitungen sollen gewährleisten, dass Sie das Produkt korrekt verwenden, um Gefahren oder Sachschäden zu vermeiden.

Gesetze und Vorschriften

- Die Verwendung des Produkts muss in strikter Übereinstimmung mit den örtlichen Vorschriften zur elektrischen Sicherheit erfolgen.

Transportwesen

- Bewahren Sie das Gerät beim Transport in der ursprünglichen oder einer vergleichbaren Verpackung auf.
- Bewahren Sie das gesamte Verpackungsmaterial nach dem Auspacken für zukünftigen Gebrauch auf. Im Falle eines Fehlers müssen Sie das Gerät in der Originalverpackung an das Werk zurücksenden. Beim Transport ohne Originalverpackung kann das Gerät beschädigt werden und wir übernehmen keine Verantwortung.
- Lassen Sie das Produkt nicht fallen und vermeiden Sie heftige Stöße. Halten Sie das Gerät von magnetischen Störungen fern.

Spannungsversorgung

- Die Eingangsspannung muss einer Stromquelle mit begrenzter Leistung (3,85 V DC, 570 mA) gemäß der Norm IEC 62368 entsprechen. Siehe technische Daten für detaillierte Informationen.
- Stellen Sie sicher, dass der Stecker richtig in der Steckdose steckt.
- Verbinden Sie NICHT mehrere Geräte mit einem Netzteil, da es andernfalls durch Überlastung zu einer Überhitzung oder einem Brand kommen kann.

- Verwenden Sie das von einem zugelassenen Hersteller mitgelieferte Netzteil. Detaillierte Angaben zum Strombedarf finden Sie in der Produktspezifikation.

Akku

- Bitte laden Sie das Gerät 3 Stunden lang auf, bevor Sie es zum ersten Mal benutzen.
- Wenn der Akku unsachgemäß verwendet oder ausgetauscht wird, besteht möglicherweise Explosionsgefahr. Tauschen Sie stets gegen den gleichen oder äquivalenten Typ aus. Entsorgen Sie verbrauchte Akkus entsprechend den Anweisungen des Akkuherstellers.
- Der integrierte Akku darf nicht demontiert werden. Wenden Sie sich gegebenenfalls zur Reparatur an den Hersteller.
- Laden Sie keine anderen Akkutypen mit dem mitgelieferten Ladegerät auf. Stellen Sie sicher, dass sich während des Ladevorgangs im Umkreis von 2 m um das Ladegerät kein brennbares Material befindet.
- Achten Sie bei langfristiger Lagerung des Akkus darauf, dass er alle sechs Monate vollständig geladen wird, um seine Lebensdauer zu gewährleisten. Anderenfalls kann es zu Schäden kommen.
- Verwenden Sie nur einen von einem qualifizierten Hersteller gelieferten Akku. Detaillierte Angaben zu den Batterie-/Akku-Anforderungen finden Sie in der Produktspezifikation.
- Lagern Sie den Akku NICHT in unmittelbarer Nähe einer Wärme- oder Feuerquelle. Keinem direkten Sonnenlicht aussetzen.
- Den Akku NICHT verschlucken, es besteht Verätzungsgefahr.
- Bewahren Sie den Akku NICHT in der Reichweite von Kindern auf.
- Wenn das Gerät ausgeschaltet und der RTC-Akku voll ist, bleiben die Zeiteinstellungen 6 Monate lang erhalten.
- Laden Sie das Gerät bei der ersten Verwendung länger als 2,5 Stunden im ausgeschalteten Zustand auf.
- Der Akku hat eine Spannung von 3,85 V und eine Kapazität von 2100 mAh.
- Er ist nach UL2054 zertifiziert.

Wartung

- Falls das Produkt nicht einwandfrei funktionieren sollte, wenden Sie sich an Ihren Händler oder den nächstgelegenen Kundendienst. Wir übernehmen keine Haftung für Probleme, die durch nicht Reparatur- oder Instandhaltungsarbeiten von nicht autorisierten Dritten verursacht werden.

- Einige Gerätekomponenten (z. B. Elektrolytkondensator) müssen regelmäßig ausgetauscht werden. Die durchschnittliche Lebensdauer variiert, weshalb eine regelmäßige Prüfung empfohlen wird. Einzelheiten erfahren Sie von Ihrem Händler.
- Wischen Sie das Gerät bei Bedarf sanft mit einem sauberen Tuch und einer geringen Menge Ethanol ab.
- Wenn das Gerät nicht vom Hersteller vorgegebenem Sinne genutzt wird, kann der durch das Gerät bereitgestellte Schutz beeinträchtigt werden.

Kalibrierungsdienst

- Wir empfehlen Ihnen, das Gerät einmal im Jahr zur Kalibrierung einzusenden. Wenden Sie sich bitte an Ihren Händler vor Ort, um Informationen zu den Wartungspunkten zu erhalten. Weitere Kalibrierungsdienste entnehmen Sie bitte <https://www.hikmicrotech.com/en/calibrationservices/2>.

Einsatzumgebung

- Setzen Sie das Gerät NICHT extrem heißen, kalten, staubigen, korrosiven, salzhaltigen, alkalischen oder feuchten Umgebungen aus. Achten Sie darauf, dass die Betriebsumgebung den Anforderungen des Geräts entspricht. Die Betriebstemperatur des Geräts beträgt -10 °C bis 50 °C und die Betriebsluftfeuchtigkeit darf höchstens 95 % betragen.
- Dieses Gerät kann nur in Regionen unterhalb von 2000 Metern über dem Meeresspiegel sicher verwendet werden.
- Stellen Sie das Gerät an einem kühlen und gut belüfteten Ort auf.
- Setzen Sie das Gerät KEINER hohen elektromagnetischen Strahlung oder staubigen Umgebungen aus.
- Richten Sie das Objektiv NICHT auf die Sonne oder eine andere helle Lichtquelle.
- Achten Sie bei Verwendung eines Lasergeräts darauf, dass das Objektiv des Geräts nicht dem Laserstrahl ausgesetzt wird. Andernfalls könnte es durchbrennen.
- Das Gerät ist für den Innen- und Außenbereich geeignet, darf jedoch nicht in feuchten Umgebungen eingesetzt werden.
- Die Schutzart ist IP 54.
- Der Verschmutzungsgrad beträgt 2.

Technischer Support

- Das Portal <https://www.hikmicrotech.com> hilft Ihnen als HIKMICRO-Kunde, Ihre HIKMICRO-Produkte optimal zu nutzen. Über

dieses Portal haben Sie Zugang zu unserem Support-Team, zu Software und Dokumentation, zu Servicekontakten usw.

Notruf

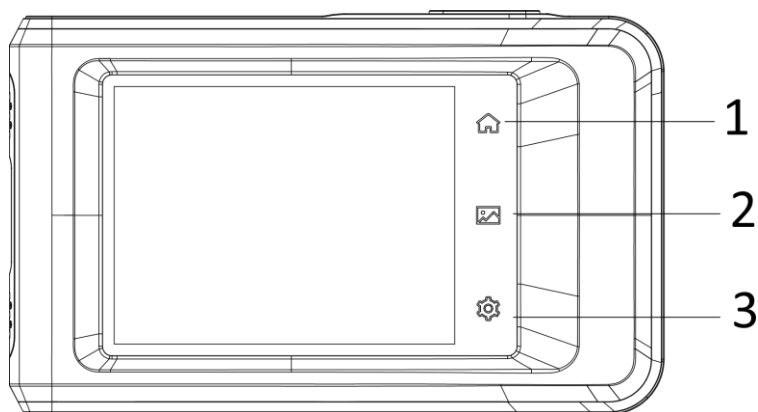
- Sollten sich Rauch, Gerüche oder Geräusche in dem Gerät entwickeln, so schalten Sie es unverzüglich aus und ziehen Sie den Netzstecker; wenden Sie sich dann an den Kundendienst.

Anschrift des Herstellers

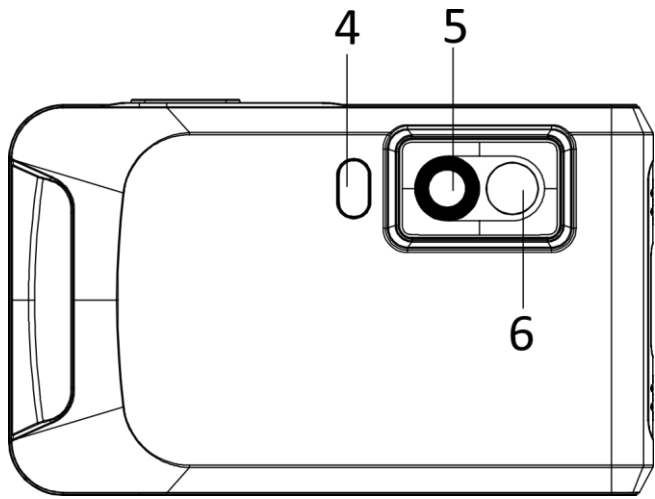
Raum 313, Einheit B, Gebäude 2, 399 Danfeng-Straße, Gemarkung Xixing, Stadtbezirk Binjiang, Hangzhou, Zhejiang 310052, China
Hangzhou Microimage Software Co., Ltd.

RECHTLICHER HINWEIS: Die Produkte der Wärmebild-Serie unterliegen unter Umständen in verschiedenen Ländern oder Regionen Exportkontrollen, wie zum Beispiel in den Vereinigten Staaten, der Europäischen Union, dem Vereinigten Königreich und/oder anderen Mitgliedsländern des Wassenaar-Abkommens. Bitte wenden Sie sich an Ihren professionellen Rechts- oder Compliance-Experten oder an die zuständigen Behörden, wenn Sie beabsichtigen, Produkte der Wärmebild-Serie zwischen verschiedenen Ländern zu transferieren, zu exportieren oder zu reexportieren, um Informationen über eine eventuell erforderliche Ausfuhrgenehmigung zu erhalten

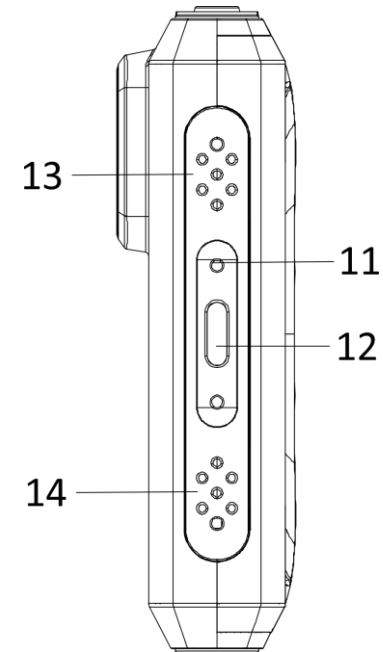
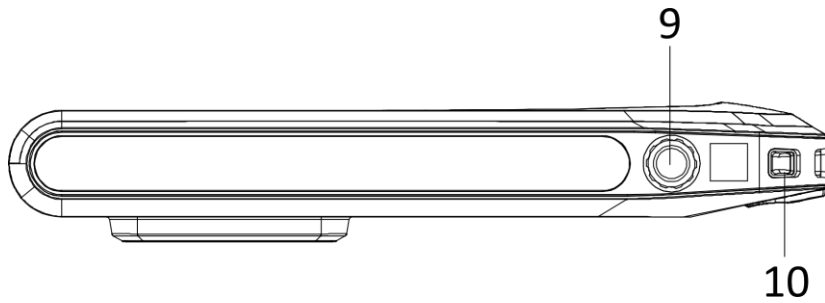
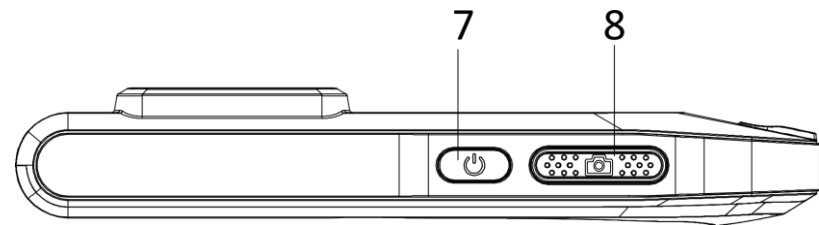
Français



<i>N°</i>	<i>Description</i>	<i>Fonction</i>
1	Touche Accueil	Appuyer pour revenir à l'interface d'affichage en direct.
2	Touche Fichier	Appuyer pour entrer dans les albums.
3	Touche Réglages	Appuyer pour accéder à l'interface des réglages.
4	Faisceau de	Diriger la lumière sur les objets et



- | | | |
|---|--------------------|---------------------------------|
| 4 | lumière | émettre une alarme clignotante. |
| 5 | Objectif thermique | Observer l'image thermique. |
| 6 | Objectif optique | Observer l'image optique. |



<i>N°</i>	<i>Description</i>	<i>Fonction</i>
7	Touche Alimentation	Maintenir enfoncée pour allumer/éteindre l'appareil.
8	Touche Capturer	<ul style="list-style-type: none"> ● Appuyer en mode Affichage en direct pour capturer des instantanés/arrêter l'enregistrement ● Appuyer en mode Menu pour revenir à l'interface d'affichage en direct ● Appuyez longuement pour démarrer l'enregistrement
9	Fixation pour trépied	Permet de monter un trépied.
10	Point de fixation de la bride	Montez la bride.
11	Indicateur	<p>Indique l'état de charge de l'appareil.</p> <ul style="list-style-type: none"> ● Rouge fixe : charge normale ● Rouge clignotant : charge anormale ● Vert fixe : charge complète
12	Interface type-C	Rechargez l'appareil ou exportez des fichiers à l'aide d'un câble USB Type-C.
13	Avertisseur	Émettre une alarme sonore.
14	Microphone	Enregistrer l'audio.

Mesure de la température

Grâce au détecteur IR haute sensibilité et au capteur haute performance intégrés, la plage de mesure de la température est de -20 °C à 400 °C, et la précision de la mesure de la température est de ± 2 °C ou 2 % lorsque la température ambiante est de 15 °C à 35 °C et la température de l'objet est supérieure à 0 °C.

Menu déroulant

Vous pouvez régler la luminosité dans le menu déroulant et activer des fonctions telles que le Wi-Fi, le Bluetooth, le point d'accès, la diffusion d'écran, la lampe de poche, la rotation automatique et le mode sombre/clair.

Connexion de logiciel client

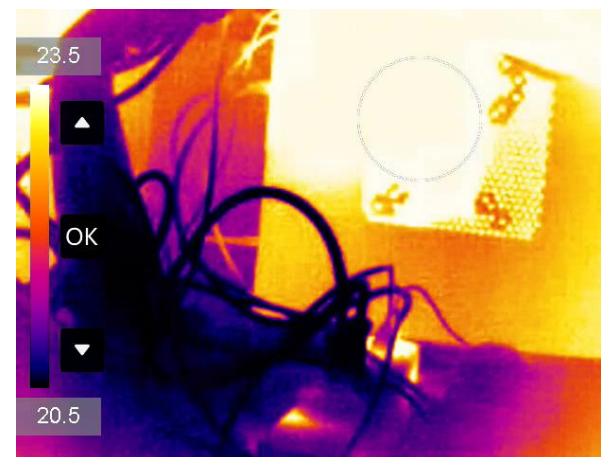
Vous pouvez afficher la vue en direct, prendre des instantanés, enregistrer des vidéos à l'aide de l'application HIKMICRO Viewer sur votre téléphone. Scannez les codes QR sur la couverture pour télécharger l'application.

Vous pouvez également télécharger HIKMICRO Analyzer (<https://www.hikmicrotech.com>) pour analyser de manière professionnelle des images hors ligne et générer un rapport au format personnalisé sur votre ordinateur.

Réglage de l'image

Le niveau et la portée peuvent être ajustés manuellement ou automatiquement afin d'obtenir un bon effet thermique pour une meilleure analyse des différences de température.

En mode automatique, l'appareil ajuste automatiquement les paramètres de la plage de température. En mode manuel, vous pouvez appuyer sur une zone d'intérêt de l'écran ou appuyer sur les flèches sur le côté gauche de l'écran pour ajuster la plage de température à afficher.



Remarque : Votre caméra effectue automatiquement et régulièrement un étalonnage pour optimiser la qualité des images et la précision des mesures. Pendant cette opération, l'image s'interrompt brièvement et

vous entendez un déclic lorsque l'obturateur s'ouvre devant le détecteur. L'invite « Étalonnage... » apparaît dans la partie supérieure centrale de l'écran pendant que l'appareil s'étalonne. L'étalonnage automatique est plus fréquent au démarrage ou dans des environnements très froid ou chaud. Ce comportement est normal et permet de garantir des performances optimales de votre caméra.

Manuel d'utilisation

Pour des instructions détaillées sur le fonctionnement, veuillez scanner le code QR pour obtenir le manuel d'utilisation.




Informations légales

©2022 Hangzhou Microimage Software Co., Ltd. Tous droits réservés.

À propos de ce manuel

Ce manuel fournit des instructions d'utilisation et de gestion du produit. Les images, les tableaux, les figures et toutes les autres informations ci-après ne sont donnés qu'à titre de description et d'explication. Les informations contenues dans ce manuel sont modifiables sans préavis, en raison d'une mise à jour d'un micrologiciel ou pour d'autres raisons. Veuillez trouver la dernière version de ce manuel sur le site Internet de HIKMICRO (www.hikmicrotech.com). Veuillez utiliser ce mode d'emploi avec les conseils et l'assistance de professionnels spécialement formés dans la prise en charge de ce produit.

Reconnaissance des marques de commerce

 **HIKMICRO** et les autres marques commerciales et logos de HIKMICRO sont la propriété de HIKMICRO dans diverses juridictions. Toutes les autres marques et tous les logos mentionnés appartiennent à leurs propriétaires respectifs.

MENTIONS LÉGALES

DANS LES LIMITES AUTORISÉES PAR LA LOI EN VIGUEUR, LE PRÉSENT MANUEL ET LE PRODUIT DÉCRIT, AINSI QUE SON MATÉRIEL, SES LOGICIELS ET SES MICROLOGICIELS, SONT FOURNIS « EN L'ÉTAT » ET « AVEC CES FAIBLESSES ET ERREURS ». HIKMICRO NE FAIT AUCUNE GARANTIE, EXPLICITE OU IMPLICITE, Y COMPRIS, MAIS SANS S'Y LIMITER, DE QUALITÉ MARCHANDE, DE QUALITÉ SATISFAISANTE, OU D'ADÉQUATION À UN USAGE PARTICULIER. VOUS UTILISEZ LE PRODUIT À VOS PROPRES RISQUES. EN AUCUN CAS, HIKMICRO NE SERA TENU RESPONSABLE DE TOUT DOMMAGE SPÉCIAL, CONSÉCUTIF, ACCESSOIRE OU INDIRECT, Y COMPRIS, ENTRE AUTRES, LES DOMMAGES RELATIFS À LA PERTE DE PROFITS D'ENTREPRISE, À L'INTERRUPTION D'ACTIVITÉS COMMERCIALES, OU LA PERTE DES DONNÉES, LA CORRUPTION DES SYSTÈMES, OU LA PERTE DES DOCUMENTS, S'ILS SONT BASÉS SUR UNE VIOLATION DE CONTRAT, UNE FAUTE (Y COMPRIS LA NÉGLIGENCE), LA RESPONSABILITÉ EN MATIÈRE DE PRODUITS, OU AUTRE, EN RAPPORT AVEC L'UTILISATION DU PRODUIT, MÊME SI HIKMICRO A ÉTÉ INFORMÉ DE LA POSSIBILITÉ D'UN TEL DOMMAGE OU D'UNE TELLE PERTE.


VOUS RECONNAISSEZ QUE LA NATURE D'INTERNET EST SOURCE DE RISQUES DE SÉCURITÉ INHÉRENTS, ET HIKMICRO SE DÉGAGE DE TOUTE RESPONSABILITÉ EN CAS DE FONCTIONNEMENT ANORMAL, DIVULGATION D'INFORMATIONS CONFIDENTIELLES OU AUTRES DOMMAGES DÉCOULANT D'UNE CYBERATTAQUE, D'UN PIRATAGE INFORMATIQUE, D'UNE INFECTION PAR DES VIRUS, OU AUTRES RISQUES DE SÉCURITÉ LIÉS À INTERNET ; TOUTEFOIS, HIKMICRO FOURNIRA UNE ASSISTANCE TECHNIQUE DANS LES DÉLAIS SI NÉCESSAIRE.

VOUS ACCEPTEZ D'UTILISER CE PRODUIT CONFORMÉMENT À L'ENSEMBLE DES LOIS EN VIGUEUR. IL EST DE VOTRE RESPONSABILITÉ EXCLUSIVE DE VEILLER À CE QUE VOTRE UTILISATION SOIT CONFORME À LA LOI APPLICABLE. IL VOUS APPARTIENT SURTOUT D'UTILISER CE PRODUIT D'UNE MANIÈRE QUI NE PORTE PAS ATTEINTE AUX DROITS

DE TIERS, Y COMPRIS, MAIS SANS S'Y LIMITER, LES DROITS DE PUBLICITÉ, LES DROITS DE PROPRIÉTÉ INTELLECTUELLE, OU LA PROTECTION DES DONNÉES ET D'AUTRES DROITS À LA VIE PRIVÉE. VOUS NE DEVEZ PAS UTILISER CE PRODUIT POUR TOUTE UTILISATION FINALE INTERDITE, NOTAMMENT LA MISE AU POINT OU LA PRODUCTION D'ARMES DE DESTRUCTION MASSIVE, LA MISE AU POINT OU LA FABRICATION D'ARMES CHIMIQUES OU BIOLOGIQUES, LES ACTIVITÉS DANS LE CONTEXTE LIÉ AUX EXPLOSIFS NUCLÉAIRES OU AU CYCLE DU COMBUSTIBLE NUCLÉAIRE DANGEREUX, OU SOUTENANT LES VIOLATIONS DES DROITS DE L'HOMME. EN CAS DE CONFLIT ENTRE CE MANUEL ET LES LOIS EN VIGUEUR, CES DERNIÈRES PRÉVALENT.

Réglementation

Déclaration de conformité UE

 Ce produit et, le cas échéant, les accessoires qui l'accompagnent, sont estampillés « CE » et sont donc conformes aux normes européennes harmonisées en vigueur répertoriées sous la Directive 2014/30/UE (EMCD), la Directive 2014/35/UE (LVD) et la Directive 2011/65/UE (RoHS).

Restrictions relatives à la bande 5 GHz :

Conformément à l'Article 10 (10) de la Directive 2014/53/UE, lorsque cet appareil fonctionne sur la plage de fréquence 5 150 – 5 350 MHz, son utilisation est restreinte à une utilisation en intérieur dans les pays suivants : Autriche (AT), Belgique (BE), Bulgarie (BG), Croatie (HR), Chypre (CY), République Tchèque (CZ), Danemark (DK), Estonie (EE), Finlande (FI), France (FR), Allemagne (DE), Grèce (EL), Hongrie (HU), Islande (IS), Irlande (IE), Italie (IT), Lettonie (LV), Liechtenstein (LI), Lituanie (LT), Luxembourg (LU), Malte (MT), Pays-Bas (NL), Irlande du Nord (UK(NI)), Norvège (NO), Pologne (PL), Portugal (PT), Roumanie (RO), Slovaquie (SK), Slovénie (SI), Espagne (ES), Suède (SE), Suisse (CH) et Turquie (TR).

Les bandes de fréquence et les limites nominales de la puissance transmise (rayonnée ou par conduction) applicables à ce dispositif radio sont les suivantes :

Wi-Fi : 2,4 GHz (2,4 GHz à 2,4835 GHz) : 20 dBm. 5 GHz (5,15 GHz à 5,25 GHz) : 23 dBm. 5 GHz (5,25 GHz à 5,35 GHz) : 23 dBm. 5 GHz (5,47 GHz à 5,725 GHz) : 23 dBm. 5 GHz (5,725 GHz à 5,85 GHz) :

14 dBm

Bluetooth : 2,4 GHz (2,4 GHz à 2,4835 GHz) : 20 dBm

Utilisez l'adaptateur d'alimentation fourni par un fabricant qualifié. Reportez-vous aux spécifications du produit pour les dispositions nécessaires et détaillées en matière d'alimentation.

Utilisez une pile fournie par un fabricant qualifié. Reportez-vous aux spécifications du produit pour les détails concernant la pile.



Directive 2012/19/UE (directive DEEE) : dans l'Union européenne, les produits portant ce pictogramme ne doivent pas être déposés dans une décharge municipale où le tri des déchets n'est pas pratiqué. Pour un recyclage adéquat, remettez ce produit à votre revendeur lors de l'achat d'un nouvel équipement équivalent, ou déposez-le dans un lieu de collecte prévu à cet effet. Pour de plus amples informations, visitez le site Web : www.recyclethis.info



Directive 2006/66/CE et son amendement 2013/56/UE (directive sur les batteries) : ce produit renferme une batterie qui ne doit pas être déposée dans une décharge municipale où le tri des déchets n'est pas pratiqué, dans l'Union européenne. Pour plus de précisions sur la batterie, reportez-vous à sa documentation. La batterie porte le pictogramme ci-contre, qui peut inclure la mention Cd (cadmium), Pb (plomb) ou Hg (mercure). Pour la recycler correctement, renvoyez la batterie à votre revendeur ou déposez-la dans un point de collecte prévu à cet effet. Pour de plus amples informations, consultez : www.recyclethis.info.

Consignes de sécurité

L'objectif de ces instructions est de garantir que l'utilisateur soit en mesure d'utiliser correctement le produit sans danger ou dommage aux biens.

Lois et réglementations

- L'appareil doit être strictement utilisé conformément à la réglementation locale en matière de sécurité électrique.

Transport

- Gardez l'appareil dans son emballage d'origine ou dans un emballage similaire lors de son transport.
- Veuillez conserver l'emballage de l'appareil pour toute utilisation ultérieure. En cas de panne, vous devrez renvoyer l'appareil à l'usine

dans son emballage d'origine. Le transport de l'appareil sans son emballage d'origine peut l'endommager, et l'entreprise se dégage de toute responsabilité dans ce cas.

- Ne pas faire tomber le produit ou le soumettre à un choc physique. Éloigner l'appareil d'interférences magnétiques.

Alimentation électrique

- La tension d'entrée doit répondre aux exigences relatives à une Source d'alimentation limitée (3,85 VCC, 570 mA) conformément à la norme CEI 62368. Veuillez vous référer aux caractéristiques techniques pour des informations détaillées.
- Vérifiez que la prise est correctement branchée à la prise électrique.
- Pour éviter tout risque de surchauffe ou d'incendie dû à une surcharge, ne reliez PAS plusieurs appareils à un seul adaptateur d'alimentation.
- Utilisez l'adaptateur d'alimentation fourni par un fabricant qualifié. Reportez-vous aux spécifications du produit pour les dispositions nécessaires et détaillées en matière d'alimentation.

Pile

- Veuillez charger l'appareil pendant 3 heures avant de l'utiliser pour la première fois.
- Une mauvaise utilisation ou une pile mal remplacée peut entraîner un risque d'explosion. Remplacez-la uniquement par une pile identique ou de type équivalent. Éliminez les piles usées conformément aux instructions fournies par leur fabricant.
- La batterie intégrée ne peut pas être démontée. Veuillez contacter le fabricant pour réparation si nécessaire.
- NE chargez pas d'autres types de piles avec le chargeur fourni. Pendant la recharge des piles, vérifiez qu'il n'y a aucun matériau inflammable à moins de 2 m du chargeur.
- En cas de stockage à long terme de la pile, assurez-vous qu'elle est complètement chargée tous les six mois afin d'en conserver la qualité. Dans le cas contraire, elle pourrait se détériorer.
- Utilisez une pile fournie par un fabricant qualifié. Reportez-vous aux spécifications du produit pour les détails concernant la pile.
- NE placez PAS la pile à proximité d'une source de chaleur ou de feu. Ne l'exposez pas à la lumière directe du soleil.
- N'avalez PAS la pile pour éviter les risques de brûlures chimiques.
- NE laissez PAS la pile à portée des enfants.
- Lorsque l'appareil est éteint et que la batterie RTC est complètement chargée, les réglages de l'heure peuvent être

conservés pendant 6 mois.

- Lors de la première utilisation, chargez l'appareil pendant plus de 2,5 heures lorsqu'il est éteint.
- La tension de la batterie est de 3,85 V et sa capacité est de 2100 mAh.
- La batterie est certifiée conforme à la norme UL2054.

Maintenance

- Si le produit ne fonctionne pas correctement, contactez votre revendeur ou le centre de service le plus proche. Nous n'assumerons aucune responsabilité concernant les problèmes causés par une réparation ou une opération de maintenance non autorisée.
- Certains composants de l'appareil (p. ex., condensateur électrolytique) doivent être remplacés régulièrement. Leur durée de vie moyenne est variable, c'est pourquoi des contrôles périodiques sont recommandés. Veuillez contacter votre distributeur pour plus d'informations.
- Essuyez délicatement l'appareil à l'aide d'un chiffon propre imbibé d'une petite quantité d'éthanol, si nécessaire.
- Si l'appareil n'est pas utilisé conformément aux indications du fabricant, le dispositif de protection fourni par l'appareil peut être compromis.

Services d'étalonnage

- Nous vous recommandons de renvoyer l'appareil pour étalonnage une fois par an. Veuillez également contacter le revendeur local pour obtenir des informations sur les points d'entretien. Pour des services d'étalonnage plus détaillés, veuillez vous reporter à <https://www.hikmicrotech.com/en/calibrationservices/2>.

Environnement d'exploitation

- N'exposez PAS l'appareil à des environnements extrêmement chauds, froids, poussiéreux, corrosifs, salins-alcalins ou humides. Assurez-vous que l'environnement d'exploitation répond aux exigences de l'appareil. La température de fonctionnement doit être comprise entre -10 °C et 50 °C, et l'humidité de fonctionnement doit être de 95 % ou moins.
- Cet appareil peut uniquement être utilisé en toute sécurité jusqu'à une altitude de 2 000 m au-dessus du niveau de la mer.
- Placez l'appareil dans un endroit sec et bien aéré.
- N'exposez PAS l'appareil à de puissants rayonnements

électromagnétiques ou à des environnements poussiéreux.

- N'orientez PAS l'objectif vers le soleil ou toute autre source de lumière vive.
- Pendant l'utilisation de tout équipement générant un laser, veillez à ce que l'objectif de l'appareil ne soit pas exposé au faisceau laser, car il pourrait brûler.
- L'appareil convient à une utilisation en intérieur comme en extérieur, mais ne l'exposez pas à l'humidité.
- Le niveau de protection est IP 54.
- Le degré de pollution est de 2.

Assistance technique

- Le portail <https://www.hikmicrotech.com> vous aidera en tant que client HIKMICRO à tirer le meilleur de vos produits HIKMICRO. Depuis le portail, accédez à notre équipe d'assistance, à des logiciels et de la documentation, à des contacts en rapport avec le support, etc.

Urgence

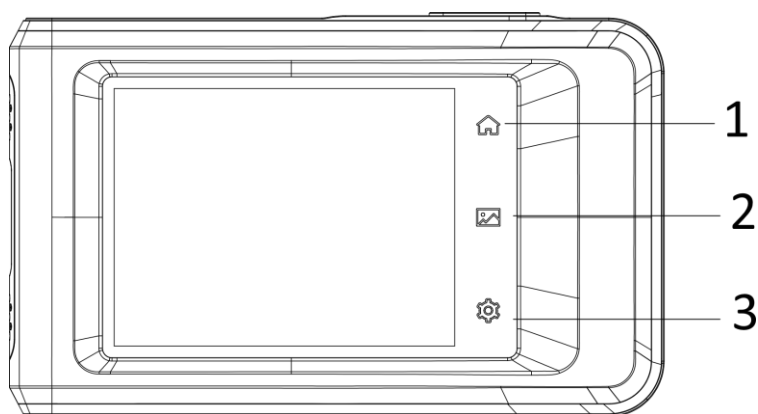
- Si de la fumée, des odeurs ou du bruit s'échappent de l'appareil, mettez immédiatement l'appareil hors tension et débranchez le câble d'alimentation, puis contactez un centre de réparation.

Adresse de fabrication

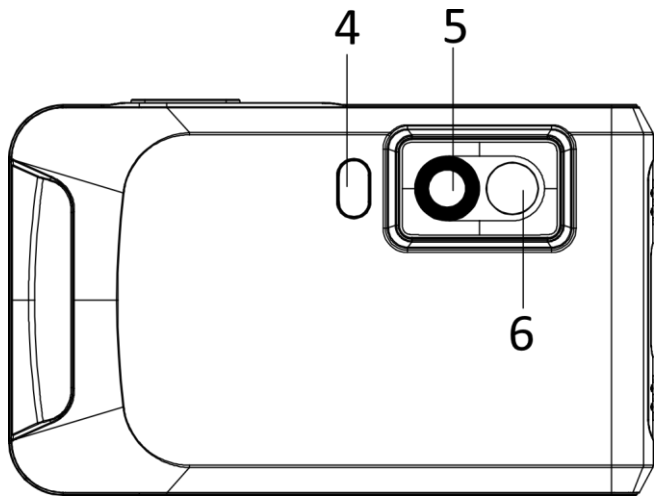
Logement 313, Unité B, Bâtiment 2, 399 Danfeng Road, Sous-district de Xixing, District de Binjiang, Hangzhou, Zhejiang 310052, Chine
Hangzhou Microimage Software Co., Ltd.

AVIS DE CONFORMITÉ : il est possible que les produits de la série thermique soient soumis à des contrôles d'exportation dans divers pays ou diverses régions, ce qui inclut, sans s'y limiter, les États-Unis, l'Union européenne, le Royaume-Uni ou d'autres pays membres de l'Arrangement de Wassenaar. Veuillez consulter votre expert professionnel en questions juridiques ou en conformité ou les autorités de votre gouvernement local pour toute exigence de permis d'exportation si vous prévoyez de transférer, d'exporter ou de réexporter des produits de la série thermique entre différents pays

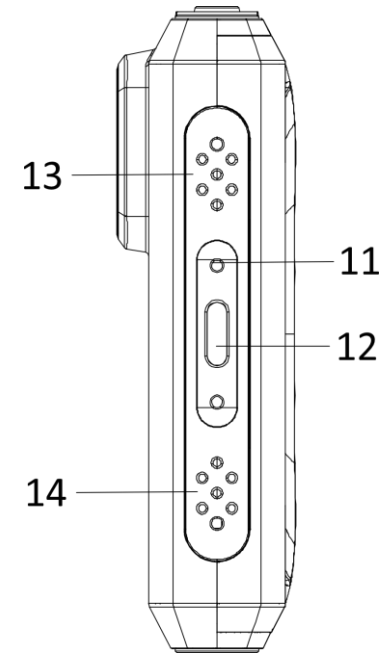
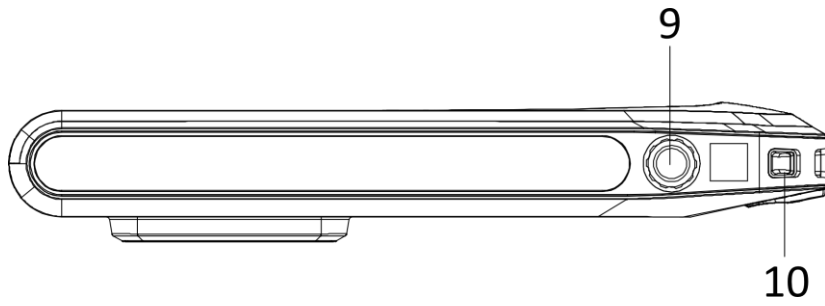
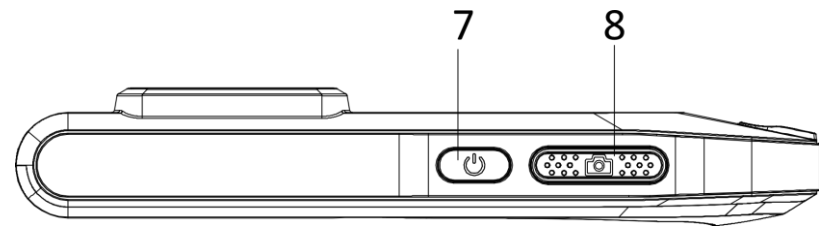
Español



Núm.	Descripción	Función
1	Botón de inicio	Toque para regresar a la interfaz de vista en directo.
2	Botón Archivos	Pulse para acceder a los álbumes.
3	Botón Configuración	Pulse para acceder a la interfaz de configuración.
4	Flash	Ilumina los objetos y emite una



- | | | |
|---|---------------|------------------------|
| | | alarma intermitente. |
| 5 | Lente térmica | Ver la imagen térmica. |
| 6 | Lente óptica | Ver la imagen óptica. |



<i>Núm.</i>	<i>Descripción</i>	<i>Función</i>
7	Botón de encendido	Manténgalo pulsado para encender o apagar el dispositivo.
8	Botón de captura	<ul style="list-style-type: none"> ● Pulse en el modo de vista en directo: captura instantáneas/detiene la grabación ● Pulse en el modo de menú: vuelve a la interfaz de vista en vivo ● Mantener pulsado: iniciar la grabación.
9	Soporte para trípode	Coloque el trípode.
10	Punto de fijación de la correa	Instalación de la correa.
11	Piloto	<p>Indica el estado de carga del dispositivo.</p> <ul style="list-style-type: none"> ● Rojo fijo: carga normal. ● Rojo intermitente: excepción de carga. ● Verde fijo: carga completa.
12	Interfaz de tipo C	Utilice un cable tipo C para cargar el dispositivo o exportar los archivos.
13	Timbre	Emite alarmas sonoras.
14	Micrófono	Graba audio.

Medición de la temperatura

Con el detector IR de alta sensibilidad y el sensor de alto rendimiento integrados, el rango de medición de la temperatura va de -20 a 400 °C (-4 a 752 °F) y la precisión de la medición de la temperatura es de ± 2 °C ($\pm 3,6$ °F) o del 2 % cuando la temperatura ambiente oscila entre 15 y 35 °C (59 a 95 °F) y la temperatura del objeto es superior a 0 °C (32 °F).

Menú desplegable

Puede ajustar el brillo en el menú desplegable y activar funciones como wifi, Bluetooth, Hotspot, Screencast, linterna, rotación automática y modo oscuro/brillante.

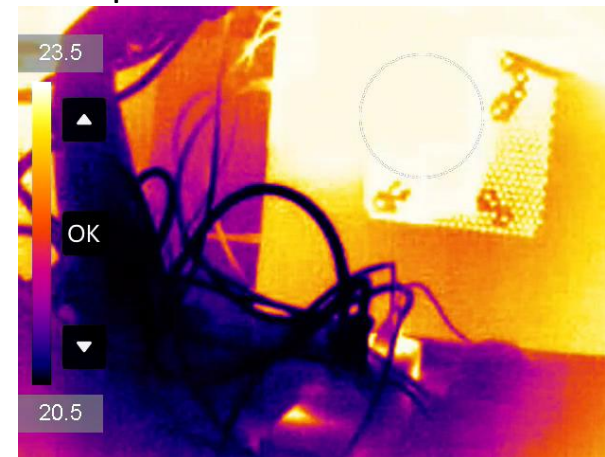
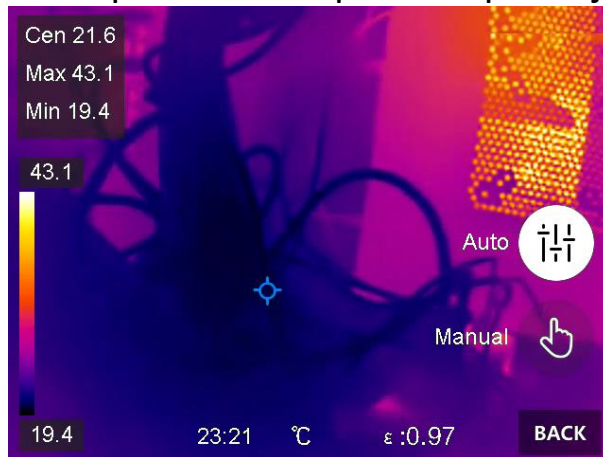
Conexión con el software cliente

Puede visualizar en directo, capturar instantáneas y grabar vídeos a través de la aplicación HIKMICRO Viewer desde el teléfono. Escanee los códigos QR de la portada para descargar la aplicación. También puede descargar HIKMICRO Analyzer (<https://www.hikmicrotech.com>) para analizar las imágenes sin conexión de forma profesional y generar un informe con un formato personalizado en su ordenador.

Ajuste de imagen

Las funciones de nivel e intervalo se pueden ajustar manual o automáticamente para obtener un buen efecto térmico que permita un mejor análisis de la diferencia de temperatura.

En modo automático, el dispositivo ajustará los parámetros del intervalo de la temperatura automáticamente. En el modo manual, puede tocar el área que le interese de la pantalla, o tocar las flechas de la parte izquierda de la pantalla para ajustar el rango de temperatura a mostrar.



Nota: La cámara realizará periódicamente una autocalibración para optimizar la calidad de la imagen y la precisión de las mediciones. Durante este proceso, la imagen se detendrá brevemente y se oír un «clic» cuando el obturador se mueva delante del detector. El mensaje “Calibrando...” aparece en la parte superior del centro de la pantalla cuando el dispositivo se está calibrando a sí mismo. La autocalibración será más frecuente durante el arranque o en ambientes muy fríos o cálidos. Se trata de un proceso normal para garantizar un rendimiento óptimo de la cámara.

Manual de usuario

Encontrará información detallada sobre el funcionamiento del dispositivo en el código QR del manual de usuario.



Información legal


©2022 Hangzhou Microimage Software Co., Ltd. Todos los derechos reservados.

Sobre este manual

Este manual incluye las instrucciones de utilización y gestión del producto. Las figuras, gráficos, imágenes y cualquier otra información que encontrará en lo sucesivo tienen únicamente fines descriptivos y aclaratorios. La información incluida en el manual está sujeta a cambios, sin aviso previo, debido a las actualizaciones de software u otros motivos. Visite el sitio web de HIKMICRO (www.hikmicrotech.com/) para encontrar la última versión de este manual.

Utilice este manual con la guía y asistencia de profesionales capacitados en el soporte del producto.

Reconocimiento de marcas comerciales

 **HIKMICRO** y otras marcas comerciales y logotipos de HIKMICRO son propiedad de HIKMICRO en diferentes jurisdicciones. Las demás marcas comerciales y logotipos mencionados son propiedad de sus respectivos dueños.

AVISOS LEGALES


EN LA MEDIDA MÁXIMA PERMITIDA POR LAS LEYES APLICABLES, ESTE MANUAL Y EL PRODUCTO DESCRITO —INCLUIDOS SU HARDWARE, SOFTWARE Y FIRMWARE— SE SUMINISTRAN «TAL CUAL» Y «CON TODOS SU FALLOS Y ERRORES». HIKMICRO NO OFRECE GARANTÍAS, EXPLÍCITAS O IMPLÍCITAS, INCLUIDAS, A MODO MERAMENTE

ENUNCIATIVO MAS NO LIMITATIVO, AQUELLAS DE COMERCIABILIDAD, CALIDAD SATISFACTORIA O IDONEIDAD PARA UN PROPÓSITO EN PARTICULAR. EL USO QUE HAGA DEL PRODUCTO CORRE BAJO SU ÚNICO RIESGO. EN NINGÚN CASO, HIKMICRO PODRÁ CONSIDERARSE RESPONSABLE ANTE USTED DE NINGÚN DAÑO ESPECIAL, CONSECUENTE, INCIDENTAL O INDIRECTO, INCLUYENDO, ENTRE OTROS, DAÑOS POR PÉRDIDAS DE BENEFICIOS COMERCIALES, INTERRUPCIÓN DE LA ACTIVIDAD COMERCIAL, PÉRDIDA DE DATOS, CORRUPCIÓN DE LOS SISTEMAS O PÉRDIDA DE DOCUMENTACIÓN, YA SEA POR INCUMPLIMIENTO DEL CONTRATO, AGRAVIO (INCLUYENDO NEGLIGENCIA), RESPONSABILIDAD DEL PRODUCTO O EN RELACIÓN CON EL USO DEL PRODUCTO, INCLUSO CUANDO HIKMICRO HAYA RECIBIDO UNA NOTIFICACIÓN DE LA POSIBILIDAD DE DICHA DAÑOS O PÉRDIDAS.

USTED RECONOCE QUE LA NATURALEZA DE INTERNET IMPLICA RIESGOS DE SEGURIDAD INHERENTES Y QUE HIKMICRO NO TENDRÁ NINGUNA RESPONSABILIDAD POR NINGÚN FUNCIONAMIENTO ANORMAL, FILTRACIONES DE PRIVACIDAD U OTROS DAÑOS RESULTANTES DE ATAQUES CIBERNÉTICOS, ATAQUES DE PIRATAS INFORMÁTICOS, INFECCIONES DE VIRUS U OTROS RIESGOS DE SEGURIDAD PROPIOS DE INTERNET; NO OBSTANTE, HIKMICRO PROPORCIONARÁ EL APOYO TÉCNICO OPORTUNO DE SER NECESARIO. USTED ACEPTA USAR ESTE PRODUCTO DE CONFORMIDAD CON TODAS LAS LEYES APLICABLES Y SOLO USTED ES EL ÚNICO RESPONSABLE DE ASEGURAR QUE EL USO CUMPLA CON DICHAS LEYES. EN ESPECIAL, USTED ES RESPONSABLE DE USAR ESTE PRODUCTO DE FORMA QUE NO INFRINJA LOS DERECHOS DE TERCEROS, INCLUYENDO, DE MANERA ENUNCIATIVA MAS NO LIMITATIVA, DERECHOS DE PUBLICIDAD, DERECHOS DE PROPIEDAD INTELECTUAL, DERECHOS RELATIVOS A LA PROTECCIÓN DE DATOS Y OTROS DERECHOS RELATIVOS A LA PRIVACIDAD. NO UTILIZARÁ ESTE PRODUCTO PARA NINGÚN USO FINAL PROHIBIDO, INCLUYENDO EL DESARROLLO O LA PRODUCCIÓN DE ARMAS DE DESTRUCCIÓN MASIVA, EL DESARROLLO O PRODUCCIÓN DE ARMAS QUÍMICAS O BIOLÓGICAS, NINGUNA ACTIVIDAD EN EL CONTEXTO RELACIONADO CON ALGÚN EXPLOSIVO NUCLEAR O EL CICLO DE COMBUSTIBLE NUCLEAR INSEGURO O EN APOYO DE ABUSOS DE LOS DERECHOS HUMANOS. EN CASO DE HABER CONFLICTO ENTRE ESTE MANUAL Y LA LEGISLACIÓN VIGENTE, ESTA ÚLTIMA PREVALECE.

Información normativa

Declaración de conformidad de la UE

 Este producto, así como los accesorios suministrados (si procede), tienen el marcado «CE» y, por lo tanto, cumplen con las normativas europeas armonizadas aplicables que se enumeran en la Directiva 2014/30/UE (EMCD), la Directiva 2014/35/UE (LVD) y la Directiva 2011/65/UE (RoHS).

Restricciones en la banda de 5 GHz:

De conformidad con el artículo 10, apartado 10, de la Directiva 2014/53/UE, cuando se opera en la gama de frecuencias de 5150 a 5350 MHz, este dispositivo está restringido al uso en interiores en: Austria (AT), Bélgica (BE), Bulgaria (BG), Croacia (HR), Chipre (CY), República Checa (CZ), Dinamarca (DK), Estonia (EE), Finlandia (FI), Francia (FR), Alemania (DE), Grecia (EL), Hungría (HU), Islandia (IS), Irlanda (IE), Italia (IT), Letonia (LV), Liechtenstein (LI), Lituania (LT), Luxemburgo (LU), Malta (MT), Países Bajos (NL), Irlanda del Norte (UK(NI)), Noruega (NO), Polonia (PL), Portugal (PT), Rumanía (RO), Eslovaquia (SK), Eslovenia (SI), España (ES), Suecia (SE), Suiza (CH) y Turquía (TR).

Las bandas de frecuencia y los límites nominales de la potencia transmitida (por radiación y/o conducción) aplicables a este dispositivo de radio son los siguientes:

Wi-Fi: 2,4 GHz (2,4 GHz a 2,4835 GHz): 20 dBm; 5 GHz (5,15 GHz a 5,25 GHz): 23 dBm; 5 GHz (5,25 GHz a 5,35 GHz): 23 dBm; 5 GHz (5,47 GHz a 5,725 GHz): 23 dBm; 5 GHz (5,725 GHz a 5,85 GHz): 14 dBm

Bluetooth: 2,4 GHz (2,4 GHz a 2,4835 GHz): 20 dBm

Utilice el adaptador eléctrico de un fabricante autorizado. Consulte las especificaciones técnicas del producto para conocer los requisitos eléctricos detallados.

Use una batería provista por un fabricante cualificado. Consulte las especificaciones técnicas del producto para conocer los requisitos detallados de la batería.



Directiva 2012/19/UE (directiva RAEE): En la Unión Europea, los productos marcados con este símbolo no pueden ser desechados en el sistema de basura municipal sin recogida

selectiva. Para un reciclaje adecuado, entregue este producto en el lugar de compra del equipo nuevo equivalente o deshágase de él en el punto de recogida designado a tal efecto. Para ver más información, visite: www.recyclethis.info



Directiva 2006/66/CE y su enmienda 2013/56/UE (directiva sobre baterías): Este producto lleva una batería que no puede ser desechada en el sistema municipal de basuras sin recogida selectiva dentro de la Unión Europea. Consulte la documentación del producto para ver la información específica de la batería. La batería lleva marcado este símbolo, que incluye unas letras indicando si contiene cadmio (Cd), plomo (Pb), o mercurio (Hg). Para un reciclaje adecuado, entregue la batería a su vendedor o llévela al punto de recogida de basuras designado a tal efecto. Para más información visite: www.recyclethis.info.

Instrucciones de seguridad

Estas instrucciones están destinadas a garantizar que el usuario pueda utilizar el producto correctamente para evitar peligros o pérdidas materiales.

Leyes y normativas

- El uso del producto ha de cumplir estrictamente con las normas de seguridad eléctrica locales.

Transporte

- Guarde el dispositivo en su paquete original o en uno similar cuando lo transporte.
- Guarde el embalaje para uso futuro. En el caso de que ocurra algún fallo, deberá devolver el dispositivo a la fábrica con el envoltorio original. En caso de transporte sin el envoltorio original podría resultar en daños en el dispositivo y la empresa no se hará responsable.
- No deje caer el producto ni lo someta a impactos físicos. Mantenga el dispositivo alejado de interferencias magnéticas.

Fuente de alimentación

- La tensión de entrada debe cumplir con el límite de la fuente de alimentación (3,85 V de CC, 570 mA) según el estándar IEC 62368. Consulte las especificaciones técnicas para obtener información detallada.
- Asegúrese de que el enchufe esté correctamente conectado a la toma de corriente.

- NO conecte múltiples dispositivos a un mismo adaptador de corriente, para evitar el sobrecalentamiento y los riesgos de incendio por sobrecarga.
- Utilice el adaptador eléctrico de un fabricante autorizado. Consulte las especificaciones técnicas del producto para conocer los requisitos eléctricos detallados.

Batería

- Cargue el dispositivo durante 3 horas antes de usarlo por primera vez.
- El uso o sustitución inadecuados de la batería pueden ser un riesgo de explosión. Cámbiela únicamente por otra del mismo tipo o equivalente. Deshágase de las baterías usadas conforme a las instrucciones proporcionadas por el fabricante de la batería.
- La batería integrada no puede ser desmontada. Póngase en contacto con el fabricante para solicitar las reparaciones necesarias.
- No cargue otros tipos de baterías con el cargador suministrado. Confirme que no haya material inflamable a menos de 2 m del cargador durante la carga.
- Para almacenar la batería durante un periodo prolongado, compruebe que esté completamente cargada cada medio año para garantizar la calidad de la misma. De lo contrario, podrían ocurrir daños.
- Use una batería provista por un fabricante cualificado. Consulte las especificaciones técnicas del producto para conocer los requisitos detallados de la batería.
- NO coloque la batería cerca de fuentes de calor o de fuego. Evite la luz directa del sol.
- NO se trague la batería para evitar quemaduras químicas.
- NO deje la batería al alcance de los niños.
- Cuando el dispositivo esté apagado y la batería RTC esté llena, los ajustes de tiempo se podrán guardar durante 6 meses.
- Antes del primer uso, cargue el dispositivo durante más de 2,5 horas en el estado de apagado.
- La tensión de la batería es de 3,85 V y la capacidad de la batería es de 2100 mAh.
- La batería cuenta con la certificación UL2054.

Mantenimiento

- Si el producto no funciona correctamente, por favor, póngase en contacto con su distribuidor o con el centro de servicio técnico más próximo. No nos haremos responsables de los problemas derivados

de una reparación o mantenimiento no autorizados.

- Algunos componentes del dispositivo (p. ej.: el condensador electrolítico) necesita una sustitución periódica. La vida útil promedio puede variar, por lo que se recomienda una revisión periódica. Contacte con su vendedor para más detalles.
- Limpie suavemente el dispositivo con una gamuza limpia con una pequeña cantidad de etanol, si fuese necesario.
- Si se utiliza el equipo de una manera no especificada por el fabricante, la protección del dispositivo podría verse mermada.

Servicio de calibración

- Le recomendamos llevar el dispositivo para su calibración una vez al año. Póngase en contacto con su distribuidor local para obtener información sobre el mantenimiento. Para obtener más información sobre los servicios de calibración, consulte <https://www.hikmicrotech.com/en/calibrationservices/2>.

Entorno de uso

- NO exponga el dispositivo a entornos excesivamente cálidos, fríos, con polvo, corrosivos, salinos-alcálinos o húmedos. Compruebe que el entorno de uso se adapte a los requisitos del dispositivo. La temperatura de funcionamiento oscila entre -10°C y 50°C y la humedad de funcionamiento es del 95 % o inferior.
- Este dispositivo solo se puede utilizar de forma segura en zonas de hasta 2000 metros por encima del nivel del mar.
- Coloque el dispositivo en un entorno seco y con buena ventilación.
- NO exponga el dispositivo a radiaciones electromagnéticas o entornos polvorientos.
- NO oriente la lente hacia el sol ni a otras luces brillantes.
- Cuando utilice equipos láser, asegúrese de que el objetivo del dispositivo no quede expuesto al rayo láser ya que podría quemarse.
- El dispositivo es apto para su uso tanto en exteriores como en interiores, pero no lo exponga a condiciones de humedad.
- Su nivel de protección es IP 54.
- El grado de contaminación es 2.

Soporte técnico

- El sitio <https://www.hikmicrotech.com> le ayudará como cliente de HIKMICRO a sacarle el máximo partido a sus productos HIKMICRO. El sitio le ofrece acceso a nuestro equipo de soporte, software y documentación, contactos de servicio, etc.

Emergencia

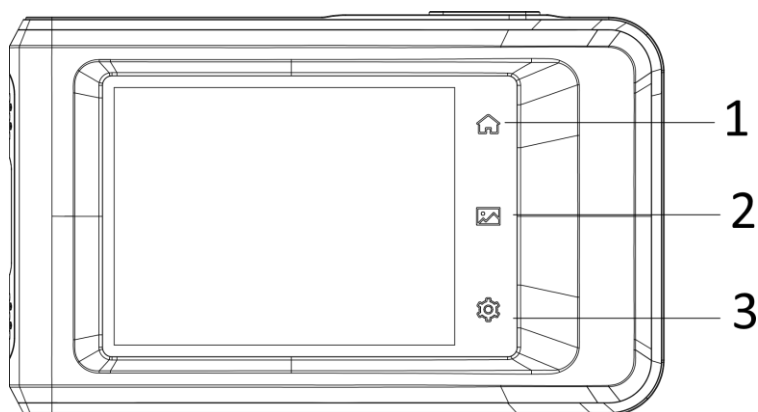
- Si hay presencia de humo, olores o ruidos procedentes del dispositivo, apague la alimentación inmediatamente, desenchufe el cable de alimentación y contacte con el servicio técnico.

Dirección de fabricación

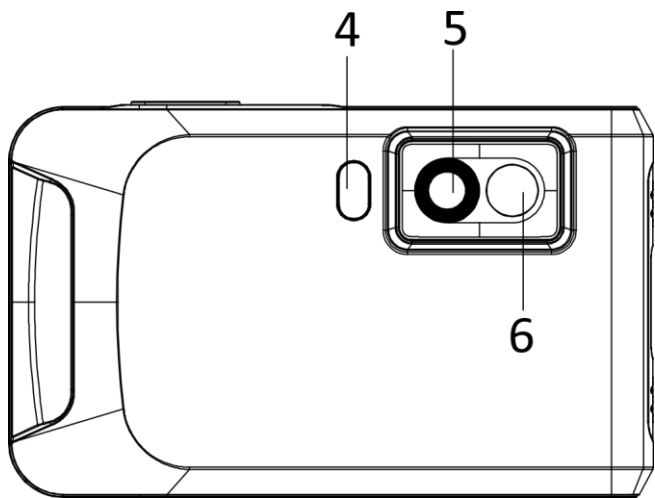
Habitación 313, Unidad B, Edificio 2, Carretera de Danfeng 399,
Subdistrito de Xixing, Distrito de Binjiang, Hangzhou, Zhejiang 310052,
China
Hangzhou Microimage Software Co., Ltd.

AVISO DE CONFORMIDAD: Los productos de las series térmicas podrían estar sujetos a controles de exportación en algunos países o regiones; entre ellos, por ejemplo, los Estados Unidos, la Unión Europea, el Reino Unido y/o otros países miembros del Arreglo de Wassenaar. Consulte con algún experto en cumplimiento normativo y legal o con las autoridades gubernamentales locales para cumplir con los requisitos de licencia de exportación necesarios si desea transferir, exportar o reexportar los productos de las series térmicas entre distintos países.

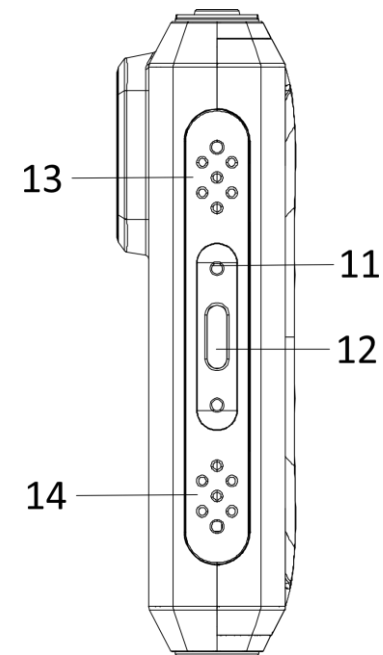
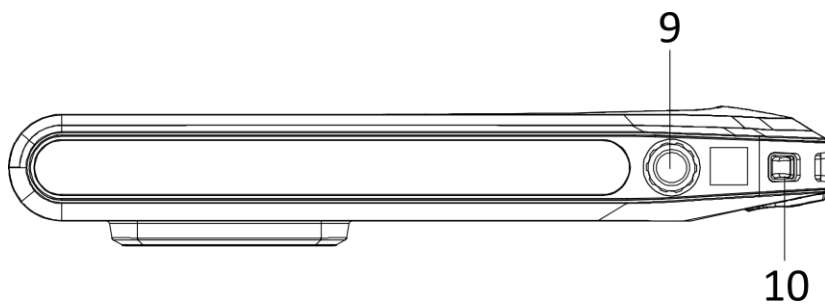
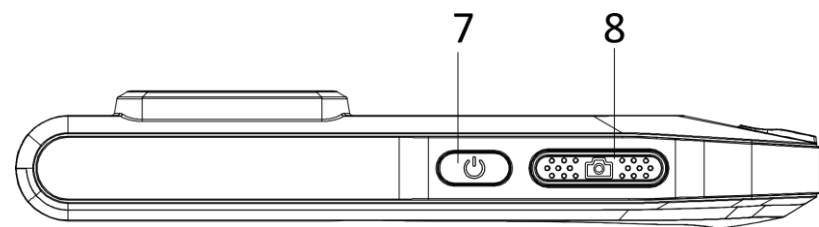
Português



<i>N.º</i>	<i>Descrição</i>	<i>Função</i>
1	Tecla "Casa"	Toque para regressar à interface da visualização em direto.
2	Tecla Ficheiro	Toque para entrar nos álbuns.
3	Tecla Definições	Toque para entrar na interface das definições.
4	Luz de flash	Projeta luz sobre os objetos e emite



- | | | |
|---|---------------|-------------------------|
| | | um alarme intermitente. |
| 5 | Lente térmica | Ver a imagem térmica. |
| 6 | Lente ótica | Ver a imagem ótica. |



<i>N.º</i>	<i>Descrição</i>	<i>Função</i>
7	Tecla de ligar/desligar	Mantenha premida para ligar/desligar o dispositivo.
8	Tecla de captura	<ul style="list-style-type: none"> ● Premir no modo de visualização em direto: capturar instantâneos/parar de gravar ● Premir no modo de menu: regressar à interface de visualização em direto ● Premir sem soltar: iniciar a gravação.
9	Suporte do tripé	Montar o tripé.
10	Ponto de fixação da correia	Para montar a correia.
11	Indicador	<p>Indicar o estado de carregamento do dispositivo.</p> <ul style="list-style-type: none"> ● Vermelho fixo: a carregar normalmente. ● Vermelho a piscar: exceção de carregamento. ● Verde fixo: totalmente carregado.
12	Interface Tipo-C	Para carregar o dispositivo ou exportar ficheiros com o cabo Tipo-C.
13	Campainha	Emite o alarme sonoro.
14	Microfone	Gravação de áudio.

Medição de temperatura

Com o detetor de IV de alta sensibilidade e o sensor de alto desempenho integrados, o intervalo de medição da temperatura situa-se entre -20 °C e 400 °C (-4 °F e 752 °F), com uma precisão de medição da temperatura de ± 2 °C ($\pm 3,6$ °F) ou de 2% quando a temperatura ambiente se situa entre 15 °C e 35 °C (59 °F e 95 °F) e a temperatura do objeto é superior a 0 °C (32 °F).

Menu pendente

No menu pendente, pode ajustar a luminosidade e ativar funções tais como Wi-Fi, Bluetooth, Hotspot, a transmissão de ecrã, a luz do flash, a rotação automática e o modo Escuro/Claro.

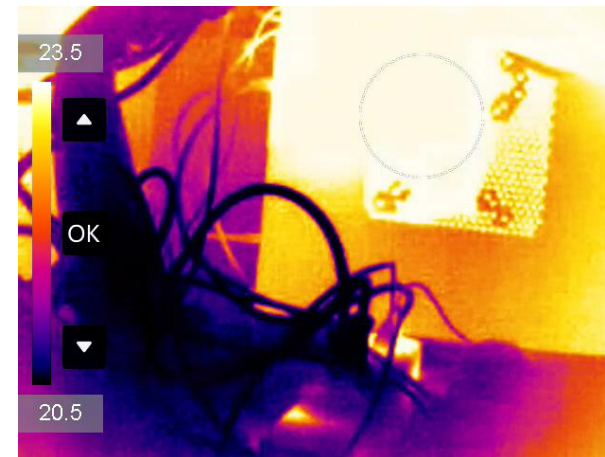
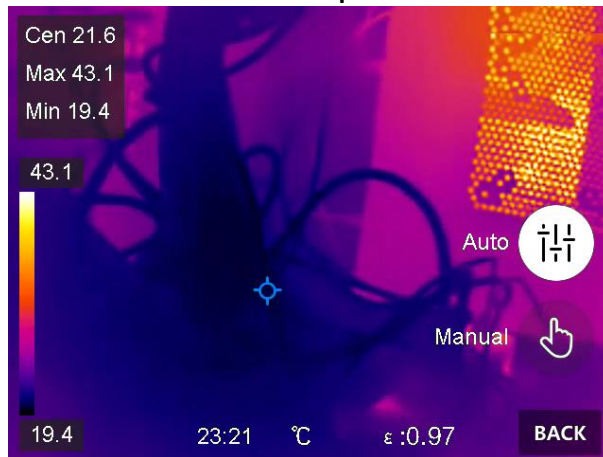
Ligação ao software do cliente

Permite ver imagens em direto, capturar instantâneos e gravar vídeos através da aplicação HIKMICRO Viewer no seu telemóvel. Leia os códigos QR na capa para transferir a aplicação. E pode transferir o HIKMICRO Analyzer (<https://www.hikmicrotech.com>) para analisar imagens offline de modo profissional e gerar um relatório de formato personalizado no seu PC.

Ajuste de imagem

A função Nivelar e Expandir pode ser ajustada de forma manual ou automática para obter um bom efeito térmico que permita efetuar uma melhor análise das diferenças de temperatura.

No modo automático, o dispositivo ajusta automaticamente os parâmetros da faixa de temperatura. No modo manual, toque na área de interesse do ecrã ou toque nas setas situadas no lado esquerdo do ecrã para ajustar a faixa de temperatura a visualizar.



Nota: A câmara efetua periodicamente uma autocalibração para otimizar a qualidade da imagem e a precisão da medição. Neste processo, a imagem é colocada em pausa por breves instantes e ouvirá um "clique" enquanto o obturador se move à frente do detetor. É apresentada a mensagem "A calibrar ..." na secção central superior do ecrã enquanto o dispositivo faz uma autocalibração. A autocalibração será mais frequente durante o arranque ou em ambientes muito frios ou quentes. Esta operação faz parte do funcionamento normal para garantir um desempenho ótimo da câmara.

Manual de utilizador

Para obter instruções de utilização detalhadas, leia o código QR para aceder ao manual do utilizador.



Informação legal


©2022 Hangzhou Microimage Software Co., Ltd. Todos os direitos reservados.

Acerca deste Manual

O Manual inclui instruções para utilizar e gerir o produto. As fotografias, os gráficos, as imagens e todas as outras informações doravante apresentadas destinam-se apenas a fins de descritivos e informativos. As informações que constam do Manual estão sujeitas a alteração, sem aviso prévio, devido a atualizações de firmware ou a outros motivos. Encontre a versão mais recente deste Manual no website da HIKMICRO (www.hikmicrotech.com/).

Utilize este Manual sob orientação e com a assistência de profissionais formados neste Produto.

Reconhecimento de marcas comerciais

 **HIKMICRO** e outras marcas registadas e logótipos da HIKMICRO são propriedades da HIKMICRO em diversos territórios. Outras marcas comerciais e logótipos mencionados são propriedade dos respetivos proprietários.

EXCLUSÃO DE RESPONSABILIDADE LEGAL

NA MEDIDA MÁXIMA PERMITIDA PELA LEI APLICÁVEL, ESTE MANUAL E O PRODUTO DESCRITO, COM O SEU HARDWARE, SOFTWARE E FIRMWARE, SÃO FORNECIDOS “TAL COMO ESTÃO” E “COM TODAS AS SUAS FALHAS E ERROS”. A HIKMICRO NÃO APRESENTA QUAISQUER GARANTIAS, EXPRESSAS OU IMPLÍCITAS, INCLUINDO, SEM QUAISQUER LIMITAÇÕES, GARANTIAS DE COMERCIALIZABILIDADE, QUALIDADE SATISFATORIA OU ADEQUAÇÃO A UM DETERMINADO FIM. A SUA

UTILIZAÇÃO DESTE PRODUTO É FEITA POR SUA CONTA E RISCO. EM NENHUMA CIRCUNSTÂNCIA, A HIKMICRO SERÁ RESPONSÁVEL POR SI EM RELAÇÃO A QUAISQUER DANOS ESPECIAIS, CONSEQUENCIAIS, INCIDENTAIS OU INDIRETOS, INCLUINDO, ENTRE OUTROS, DANOS PELA PERDA DE LUCROS COMERCIAIS, INTERRUÇÃO DA ATIVIDADE, PERDA DE DADOS, CORRUPÇÃO DE SISTEMAS OU PERDA DE DOCUMENTAÇÃO SEJA COM BASE NUMA VIOLAÇÃO DO CONTRATO, ATOS ILÍCITOS (INCLUÍDO NEGLIGÊNCIA), RESPONSABILIDADE PELO PRODUTO OU, DE OUTRO MODO, RELACIONADA COM A UTILIZAÇÃO DO PRODUTO, AINDA QUE A HIKMICRO TENHA SIDO AVISADA SOBRE A POSSIBILIDADE DE TAIS DANOS OU PERDAS.

O UTILIZADOR RECONHECE QUE A NATUREZA DA INTERNET OFERECE RISCOS DE SEGURANÇA INERENTES E QUE A HIKMICRO NÃO SERÁ RESPONSABILIZADA POR UM FUNCIONAMENTO ANORMAL, PERDA DE PRIVACIDADE OU OUTROS DANOS RESULTANTES DE ATAQUES INFORMÁTICOS, ATAQUES DE PIRATARIA, INFEÇÃO POR VÍRUS OU OUTROS RISCOS ASSOCIADOS À SEGURANÇA DA INTERNET. NO ENTANTO, A HIKMICRO PRESTARÁ APOIO TÉCNICO ATEMPADO, SE SOLICITADO.

O UTILIZADOR ACEITA UTILIZAR ESTE PRODUTO EM CONFORMIDADE COM TODAS AS LEIS APLICÁVEIS E SER O ÚNICO RESPONSÁVEL POR GARANTIR QUE A SUA UTILIZAÇÃO É CONFORME À LEI APLICÁVEL. PARTICULARMENTE, O UTILIZADOR É O RESPONSÁVEL PELA UTILIZAÇÃO DESTE PRODUTO DE MODO QUE NÃO INFRINJA OS DIREITOS DE TERCEIROS, INCLUINDO, ENTRE OUTROS, OS DIREITOS DE PUBLICIDADE, DIREITOS DE PROPRIEDADE INTELECTUAL OU DE PROTEÇÃO DE DADOS, OU QUAISQUER OUTROS DIREITOS DE PRIVACIDADE. O UTILIZADOR NÃO PODERÁ UTILIZAR ESTE PRODUTO PARA QUAISQUER UTILIZAÇÕES FINAIS PROIBIDAS, INCLUINDO O DESENVOLVIMENTO OU PRODUÇÃO DE ARMAS DE DESTRUIÇÃO MACIÇA, DESENVOLVIMENTO OU PRODUÇÃO DE QUÍMICOS OU ARMAS BIOLÓGICAS, QUAISQUER ATIVIDADES DESENVOLVIDAS NO ÂMBITO DE EXPLOSIVOS NUCLEARES OU CICLOS DE COMBUSTÍVEL NUCLEAR INSEGURO OU PARA APOIAR ABUSOS AOS DIREITOS HUMANOS.

NA EVENTUALIDADE DA OCORRÊNCIA DE ALGUM CONFLITO ENTRE ESTE MANUAL E A LEGISLAÇÃO APLICÁVEL, ESTA ÚLTIMA PREVALECE.

Informações sobre as normas reguladoras

Declaração de conformidade da UE



Este produto e - se aplicável - os acessórios fornecidos também têm a marcação "CE" e estão em conformidade com as normas europeias harmonizadas aplicáveis enumeradas na Diretiva 2014/30/UE (CEM), Diretiva 2014/35/UE (LVD) e Diretiva 2011/65/UE (RoHS).

Restrições na banda de 5 GHz:

Nos termos do n.º 10 do art. 10.º da Diretiva 2014/53/UE, quando utilizado no intervalo de frequência de 5150 a 5350 MHz, o dispositivo está restrito a utilização no interior nos seguintes países: Alemanha (DE), Áustria (AT), Bélgica (BE), Bulgária (BG), Chipre (CY), Croácia (HR), Dinamarca (DK), Eslováquia (SK), Eslovénia (SI), Espanha (ES), Estónia (EE), Finlândia (FI), França (FR), Grécia (EL), Hungria (HU), Irlanda (IE), Irlanda do Norte (UK(NI)), Islândia (IS), Itália (IT), Letónia (LV), Listenstaine (LI), Lituânia (LT), Luxemburgo (LU), Malta (MT), Noruega (NO), Países Baixos (NL), Polónia (PL), Portugal (PT), República Checa (CZ), Roménia (RO), Suécia (SE), Suíça (CH) e Turquia (TR).

As bandas de frequência e os limites nominais de potência transmitida (radiada e/ou conduzida) aplicáveis a este dispositivo de rádio são os seguintes:

Wi-Fi: 2,4 GHz (2,4 GHz a 2,4835 GHz): 20 dBm; 5 GHz (5,15 GHz a 5,25 GHz): 23 dBm; 5 GHz (5,25 GHz a 5,35 GHz): 23 dBm; 5 GHz (5,47 GHz a 5,725GHz): 23 dBm; 5 GHz (5,725 GHz a 5,85 GHz): 14 dBm

Bluetooth: 2,4 GHz (2,4 GHz a 2,4835 GHz): 20 dBm

Utilize o adaptador de alimentação fornecido por um fabricante qualificado. Para informações detalhadas sobre os requisitos relativos à alimentação, consulte as especificações do produto.

Utilize uma bateria fornecida por um fabricante qualificado. Para informações detalhadas sobre os requisitos relacionados com a bateria, consulte as especificações do produto.



Diretiva 2012/19/UE (diretiva REEE): Os produtos com este símbolo não podem ser eliminados como resíduos urbanos indiferenciados na União Europeia. Para uma reciclagem adequada, devolva este produto ao seu fornecedor local quando adquirir um novo equipamento equivalente ou elimine-o

através dos pontos de recolha adequados. Para mais informações, consulte: www.recyclethis.info



Diretiva 2006/66/CE e respetiva alteração 2013/56/UE (diretiva relativa às pilhas e baterias): Este produto contém uma bateria que não pode ser eliminada como resíduo urbano indiferenciado na União Europeia. Consulte a documentação do produto para obter informações específicas acerca da bateria. A bateria está marcada com este símbolo, que poderá incluir inscrições para indicar a presença de cádmio (Cd), chumbo (Pb), ou mercúrio (Hg). Para reciclar o produto de forma adequada, devolva a bateria ao seu fornecedor ou coloque-a num ponto de recolha apropriado. Para mais informações, consulte: www.recyclethis.info.

Instruções de segurança

Estas instruções destinam-se a garantir que o utilizador possa utilizar o produto corretamente para evitar perigos ou perdas materiais.

Legislação e regulamentos

- A utilização do produto deve estar em total conformidade com as normas locais de manuseamento de aparelhos elétricos.

Transporte

- Mantenha o dispositivo na embalagem original ou similar, quando o transportar.
- Depois da abertura da embalagem do produto, guarde todos invólucros, para uso posterior. Em caso de qualquer avaria, deve devolver o dispositivo à fábrica com o invólucro original. O transporte sem o invólucro original pode resultar em danos no dispositivo, sendo que a empresa não assumirá quaisquer responsabilidades.
- Não deixe o produto cair, nem o sujeite a impactos físicos. Mantenha o dispositivo longe de interferências magnéticas.

Alimentação elétrica

- A tensão de entrada deve cumprir a Fonte de potência limitada (3,85 V CC, 570 mA), de acordo com a norma IEC62368. Consulte as especificações técnicas para obter informações detalhadas.
- Certifique-se de que a ficha está devidamente ligada à tomada.
- NÃO ligue vários dispositivos a um adaptador de energia, para evitar o superaquecimento de riscos de incêndio provocados por sobrecarga.
- Utilize o adaptador de alimentação fornecido por um fabricante

qualificado. Para informações detalhadas sobre os requisitos relativos à alimentação, consulte as especificações do produto.

Bateria

- Antes de o utilizar pela primeira vez, carregue o dispositivo durante 3 horas.
- A utilização ou substituição inadequadas da bateria poderá resultar em risco de explosão. Substitua apenas por uma bateria do mesmo tipo ou de tipo equivalente. Elimine as baterias usadas em conformidade com as instruções fornecidas pelo fabricante da bateria.
- A bateria integrada não pode ser desmontada. Contacte o fabricante caso necessite de uma reparação.
- NÃO carregue outro tipo de bateria com o carregador fornecido. Certifique-se de que não existe material inflamável no raio de dois metros do carregador enquanto o carregamento é efetuado.
- Em caso de armazenamento prolongado da bateria, certifique-se de que esta é totalmente carregada de 6 em 6 meses, garantindo, assim, a sua qualidade. Caso contrário, poderão ocorrer danos.
- Utilize uma bateria fornecida por um fabricante qualificado. Para informações detalhadas sobre os requisitos relacionados com a bateria, consulte as especificações do produto.
- NÃO coloque a bateria perto de uma fonte de calor ou do fogo. Evite a luz solar direta.
- NÃO engula a bateria para evitar queimaduras químicas.
- NÃO coloque a bateria ao alcance das crianças.
- Quando o dispositivo está desligado e a bateria do RTC está cheia, as definições da hora podem permanecer guardadas durante 6 meses.
- Durante a primeira utilização, carregue o dispositivo durante mais de 2,5 horas com este desligado.
- A tensão da bateria é de 3,85 V e a capacidade da bateria é de 2100 mAh.
- A bateria encontra-se certificada pela UL2054.

Manutenção

- Se o produto não funcionar corretamente, contacte o seu fornecedor ou o seu centro de assistência mais próximo. Não assumimos qualquer responsabilidade por problemas causados por reparações ou manutenções não autorizadas.
- Alguns componentes do dispositivo (por exemplo, condensador eletrolítico) necessita de substituição regular. A duração média varia,

portanto, recomenda-se verificação periódica. Entre em contacto com o respetivo revendedor para obter detalhes.

- Limpe o dispositivo suavemente com um pano limpo e uma pequena quantidade de etanol, se necessário.
- Se o equipamento for utilizado de uma forma não especificada pelo fabricante, a proteção providenciada pelo dispositivo poderá ser afetada.

Serviço de calibração

- Recomendamos remeter uma vez por ano o dispositivo para calibração, contacte o revendedor local para obter mais informação sobre os centros de manutenção. Para obter serviços de calibração mais detalhados, visite <https://www.hikmicrotech.com/en/calibrationservices/2>.

Ambiente da utilização

- NÃO exponha o dispositivo a ambientes extremamente quentes, frios, poeirentos, corrosivos, alcalino salinos ou húmidos. Certifique-se de que o ambiente de funcionamento do dispositivo cumpre os requisitos do mesmo. A temperatura de funcionamento deve situar-se entre -10 °C e 50 °C e a humidade de funcionamento deve ser igual ou inferior a 95%.
- Este dispositivo só pode ser utilizado em segurança na região abaixo dos 2000 metros acima do nível do mar.
- Coloque o dispositivo num ambiente seco e bem ventilado.
- NÃO exponha o dispositivo a radiação eletromagnética elevada nem a ambientes com pó.
- NÃO direcione a lente para o sol nem para qualquer outra luz brilhante.
- Quando estiver a utilizar qualquer equipamento a laser, verifique se a lente do dispositivo não se encontra exposta ao feixe de laser, caso contrário pode queimar.
- O dispositivo é adequado para utilização em espaços interiores e exteriores, mas não o exponha a condições húmidas.
- O nível de proteção é IP 54.
- O grau de poluição é 2.

Suporte técnico

- O portal <https://www.hikmicrotech.com> ajudá-lo-á, como cliente HIKMICRO, a tirar o máximo partido dos seus produtos HIKMICRO. O portal dá-lhe acesso à nossa equipa de apoio ao cliente, software, documentação, contactos de serviço, etc.

Emergência

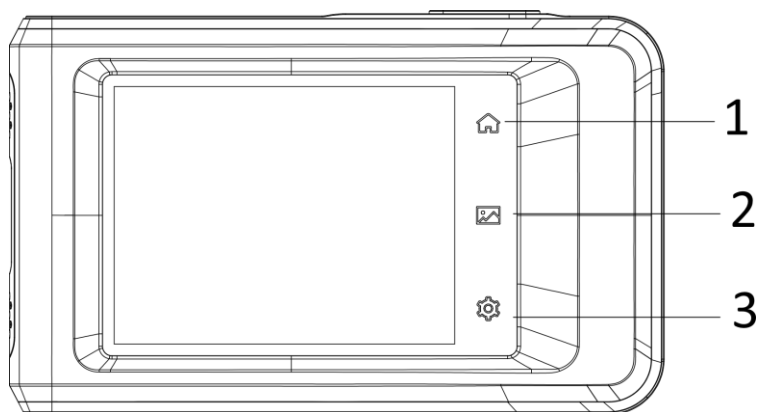
- Caso o dispositivo emita fumo, odores ou ruídos, desligue a alimentação elétrica de imediato, retire o cabo de alimentação da tomada e contacte o centro de assistência.

Endereço do fabricante

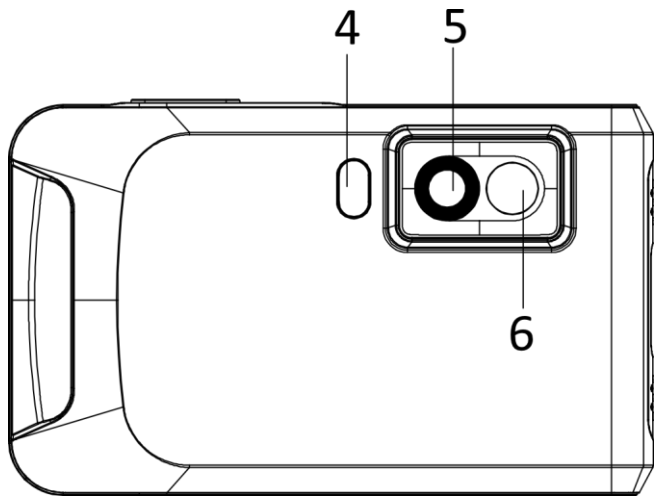
Sala 313, Unidade B, Edifício 2, Rua Danfeng 399, Subdistrito Xixing, Distrito Binjiang, Hangzhou, Zhejiang 310052, China
Hangzhou Microimage Software Co., Ltd.

AVISO DE CONFORMIDADE: Os produtos da série térmica poderão estar sujeitos a controlos de exportação em vários países ou regiões, incluindo sem limite, os Estados Unidos da América, a União Europeia, o Reino Unido e/ou outros países-membro do Acordo de Wassenaar. Consulte o seu especialista em legislação ou em conformidade ou as autoridades locais para saber os requisitos de licença de exportação necessários se pretender transferir, exportar, voltar a exportar os produtos da série térmica entre países diferentes.

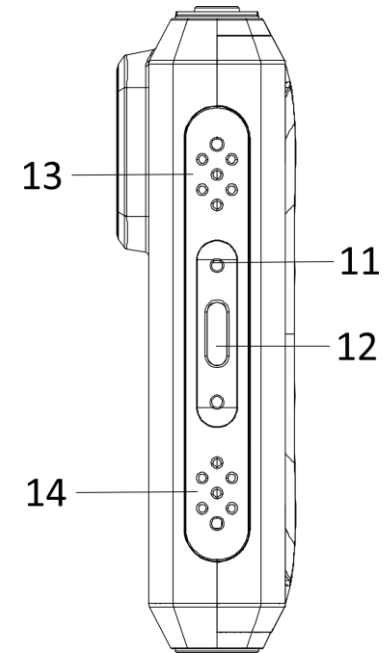
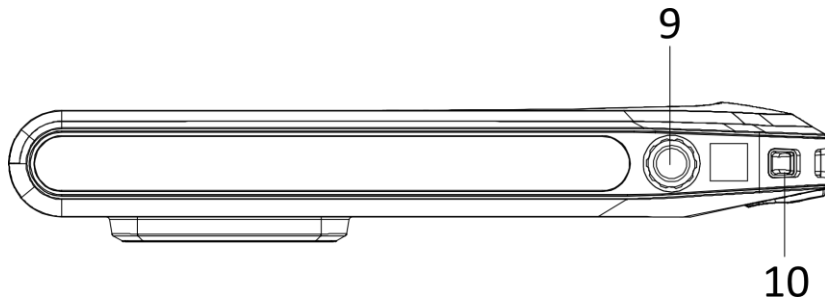
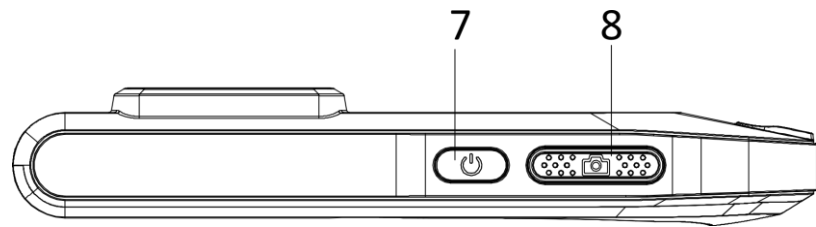
Italiano



<i>N.</i>	<i>Descrizione</i>	<i>Funzione</i>
1	Pulsante Inizio	Toccare per tornare alla schermata di visualizzazione live.
2	Tasto File	Toccare per accedere agli album.
3	Tasto Impostazioni	Toccare per accedere alla schermata delle impostazioni.
4	Torcia	Consente d illuminare a pieno gli oggetti e invia un allarme luminoso



- | | | |
|---|-------------------|--------------------------------------------------|
| 5 | Obiettivo termico | lampeggiante.
Mostra l'immagine termografica. |
| 6 | Obiettivo ottico | Mostra l'immagine ottica. |



<i>N.</i>	<i>Descrizione</i>	<i>Funzione</i>
7	Pulsante di alimentazione	Tenere premuto per accendere o spegnere il dispositivo.
8	Pulsante di acquisizione	<ul style="list-style-type: none"> ● Premendolo in modalità di visualizzazione live si scattano istantanee / si interrompe la registrazione ● Premendolo in modalità menu si torna alla schermata interfaccia di visualizzazione live ● Tenendolo premuto si avvia la registrazione
9	Supporto per treppiede	Montare il treppiede.
10	Punto di fissaggio della cinghia	Consente di fissare la cinghia da trasporto.
11	Indicatore	<p>Indica lo stato di carica del dispositivo.</p> <ul style="list-style-type: none"> ● Rosso fisso: carica normale ● Rosso lampeggiante: errore di carica ● Verde fisso: ricarica terminata
12	Connettore USB-C	Consente di ricaricare il dispositivo o esportare i file con il cavo Type-C.
13	Cicalino	Uscita allarme acustico.
14	Microfono	Registrazione audio.

Misurazione della temperatura

Con il rilevatore IR a sensibilità alta e il sensore ad alte prestazioni, l'intervallo di misurazione della temperatura varia da -20 °C a 400 °C con una precisione massima di ± 2 °C, oppure del 2% con una temperatura ambiente compresa tra 15 °C e 35 °C e la temperatura dell'oggetto superiore a 0 °C.

Menu a tendina

Nel menu a tendina è possibile regolare la luminosità e abilitare funzioni come Wi-Fi, Bluetooth, hotspot, screencast, torcia elettrica, rotazione automatica e modalità scura/luminosa.

Collegamento con il software client

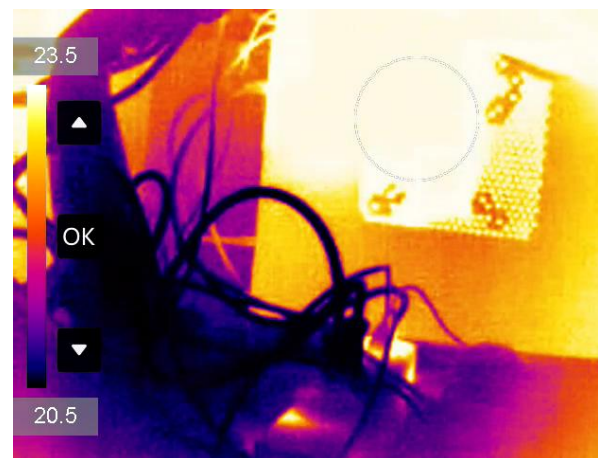
L'app HIKMICRO Viewer consente di visualizzare le immagini dal vivo, acquisire istantanee, effettuare registrazioni video e altro ancora dal proprio telefono. Eseguire la scansione del codice QR per scaricare l'applicazione.

È inoltre possibile scaricare HIKMICRO Analyzer (<https://www.hikmicrotech.com>) per analizzare le immagini offline in modo professionale e generare un report in formato personalizzato sul computer.

Regolazione immagine

Il livello e l'intervallo possono essere regolati manualmente o automaticamente per raggiungere un effetto termico ideale e una migliore analisi della differenza di temperatura.

In modalità automatica, il dispositivo regola automaticamente i parametri degli intervalli di temperatura. In modalità manuale, toccare un'area di interesse dello schermo o le frecce sul lato sinistro dello stesso per regolare l'intervallo di temperatura che si desidera visualizzare.



Nota: La telecamera eseguirà periodicamente una calibrazione automatica per ottimizzare la qualità dell'immagine e la precisione della misurazione. Durante la procedura l'immagine si fermerà brevemente e sarà possibile sentire un "clic" mentre l'otturatore si sposta davanti al rilevatore. Il messaggio "Calibrazione

in corso...” viene visualizzato nella parte superiore centrale della schermata durante la calibrazione automatica del dispositivo. La calibrazione automatica sarà più frequente durante l'avvio o in ambienti molto freddi o caldi. Si tratta di una procedura normale del funzionamento per garantire le prestazioni ottimali della telecamera.

Manuale dell'utente

Eseguire la scansione del codice QR per ottenere il manuale dell'utente e istruzioni dettagliate sul funzionamento.



Informazioni legali


©2022 Hangzhou Microimage Software Co., Ltd. Tutti i diritti riservati.

Informazioni sul presente Manuale

Il presente Manuale contiene le istruzioni per l'uso e la gestione del prodotto. Le illustrazioni, i grafici e tutte le altre informazioni che seguono hanno solo scopi illustrativi ed esplicativi. Le informazioni contenute nel Manuale sono soggette a modifiche senza preavviso in seguito ad aggiornamenti del firmware o per altri motivi. Scaricare la versione più recente del presente Manuale dal sito web di HIKMICRO (www.hikmicrotech.com/).

Utilizzare il presente Manuale con la supervisione e l'assistenza di personale qualificato nel supporto del prodotto.

Titolarità dei marchi

 **HIKMICRO** e gli altri marchi registrati e loghi di HIKMICRO sono di proprietà di HIKMICRO nelle varie giurisdizioni. Gli altri marchi registrati e loghi menzionati appartengono ai rispettivi proprietari.

ESCLUSIONE DI RESPONSABILITÀ

NELLA MISURA MASSIMA CONSENTITA DALLA LEGGE VIGENTE, QUESTO MANUALE E IL PRODOTTO DESCRITTO, CON IL SUO HARDWARE, SOFTWARE E FIRMWARE, SONO FORNITI "COSÌ COME SONO" E "CON TUTTI I DIFETTI E GLI ERRORI". HIKMICRO NON RILASCI ALCUNA GARANZIA, NÉ ESPRESSA NÉ IMPLICITA COME, SOLO A TITOLO DI ESEMPIO, GARANZIE DI COMMERCIALIZZABILITÀ, QUALITÀ SODDISFACENTE O IDONEITÀ PER UN USO SPECIFICO. L'UTENTE UTILIZZA IL PRODOTTO A PROPRIO RISCHIO. HIKMICRO DECLINA QUALSIASI RESPONSABILITÀ VERSO L'UTENTE IN RELAZIONE A DANNI SPECIALI, CONSEGUENZIALI E INCIDENTALI, COMPRESI, TRA GLI ALTRI, I DANNI DERIVANTI DA MANCATO PROFITTO, INTERRUZIONE DELL'ATTIVITÀ O PERDITA DI DATI, DANNEGGIAMENTO DI SISTEMI O PERDITA DI DOCUMENTAZIONE, DERIVANTI DA INADEMPIENZA CONTRATTUALE, ILLECITO (COMPRESA LA NEGLIGENZA), RESPONSABILITÀ PER DANNI AI PRODOTTI O ALTRIMENTI IN RELAZIONE ALL'USO DEL PRODOTTO, ANCHE QUALORA HIKMICRO SIA STATA INFORMATA DELLA POSSIBILITÀ DI TALI DANNI O PERDITE. L'UTENTE RICONOSCE CHE LA NATURA DI INTERNET PREVEDE RISCHI DI SICUREZZA INTRINSECI E CHE HIKMICRO DECLINA QUALSIASI RESPONSABILITÀ IN RELAZIONE A FUNZIONAMENTI ANOMALI, VIOLAZIONE DELLA RISERVATEZZA O ALTRI DANNI RISULTANTI DA ATTACCHI INFORMATICI, INFEZIONE DA VIRUS O ALTRI RISCHI LEGATI ALLA SICUREZZA SU INTERNET; TUTTAVIA, HIKMICRO FORNIRÀ TEMPESTIVO SUPPORTO TECNICO, SE NECESSARIO. L'UTENTE ACCETTA DI UTILIZZARE IL PRODOTTO IN CONFORMITÀ A TUTTE LE LEGGI VIGENTI E DI ESSERE IL SOLO RESPONSABILE DI TALE UTILIZZO CONFORME. IN PARTICOLARE, L'UTENTE È RESPONSABILE DEL FATTO CHE L'UTILIZZO DEL PRODOTTO NON VIOLI DIRITTI DI TERZI COME, SOLO A TITOLO DI ESEMPIO, DIRITTI DI PUBBLICITÀ, DIRITTI DI PROPRIETÀ INTELLETTUALE O DIRITTI RELATIVI ALLA PROTEZIONE DEI DATI E ALTRI DIRITTI RIGUARDANTI LA PRIVACY. NON È CONSENTITO UTILIZZARE QUESTO PRODOTTO PER SCOPI PROIBITI, COME, TRA GLI

ALTRI, LA PRODUZIONE DI ARMI DI DISTRUZIONE DI MASSA, LO SVILUPPO O LA PRODUZIONE DI ARMI CHIMICHE O BIOLOGICHE, QUALSIASI ATTIVITÀ SVOLTA IN CONTESTI CORRELATI A ESPLOSIVI NUCLEARI O COMBUSTIBILI NUCLEARI NON SICURI O ATTIVITÀ CHE CAUSINO VIOLAZIONI DEI DIRITTI UMANI.
IN CASO DI CONFLITTO TRA IL PRESENTE MANUALE E LA LEGGE VIGENTE, PREVARRÀ QUEST'ULTIMA.

Informazioni sulle norme

Dichiarazione di conformità UE

CE Il presente prodotto e, ove applicabile, gli accessori in dotazione sono contrassegnati con il marchio "CE" e sono quindi conformi alle norme europee armonizzate vigenti di cui alla Direttiva sulla compatibilità elettromagnetica 2014/30/UE (EMCD), Direttiva sulla bassa tensione 2014/35/UE (LVD), Direttiva sulla restrizione dell'uso di sostanze pericolose 2011/65/UE (RoHS).

Restrizioni applicabili alla banda 5 GHz:

Ai sensi dell'articolo 10, paragrafo 10, della direttiva 2014/53/UE, quando funziona nella gamma di frequenze da 5.150 a 5.350 MHz, bei seguenti Paesi questo dispositivo deve essere utilizzato solo uso in ambienti interni: Austria (AT), Belgio (BE), Bulgaria (BG), Croazia (HR), Cipro (CY), Repubblica ceca (CZ), Danimarca (DK), Estonia (EE), Finlandia (FI), Francia (FR), Germania (DE), Grecia (EL), Ungheria (HU), Islanda (IS), Irlanda (IE), Italia (IT), Lettonia (LV), Liechtenstein (LI), Lituania (LT), Lussemburgo (LU), Malta (MT), Paesi Bassi (NL), Irlanda del Nord (UK(NI)), Norvegia (NO), Polonia (PL), Portogallo (PT), Romania (RO), Slovacchia (SK), Slovenia (SI), Spagna (ES), Svezia (SE), Svizzera (CH) e Turchia (TR).

Le bande di frequenza e i limiti nominali di potenza trasmessa (irradiata e/o condotta) applicabili al presente dispositivo radio sono i seguenti:

Wi-Fi: 2,4 GHz (da 2,4 GHz a 2,4835 GHz): 20 dBm; 5 GHz (da 5,15 GHz a 5,25 GHz): 23 dBm; 5 GHz (da 5,25 GHz a 5,35 GHz): 23 dBm; da 5 GHz (da 5,47 GHz a 5,725 GHz): 23 dBm; 5 GHz (da 5,725 GHz a 5,85 GHz): 14 dBm

Bluetooth: 2,4 GHz (da 2,4 GHz a 2,4835 GHz): 20 dBm

Utilizzare un alimentatore fornito da un produttore qualificato. Fare riferimento alle specifiche del prodotto per i requisiti di alimentazione

dettagliati.

Utilizzare una batteria fornita da un produttore qualificato. Fare riferimento alle specifiche del prodotto per i requisiti di batteria dettagliati.



Direttiva 2012/19/UE (RAEE): i prodotti contrassegnati con il presente simbolo non possono essere smaltiti come rifiuti domestici indifferenziati nell'Unione europea. Per lo smaltimento corretto, restituire il prodotto al rivenditore in occasione dell'acquisto di un nuovo dispositivo o smaltirlo nei punti di raccolta autorizzati. Ulteriori informazioni sono disponibili sul sito: www.recyclethis.info



Direttiva 2006/66/CE, modificata dalla direttiva 2013/56/UE (direttiva sulle batterie): questo prodotto contiene una batteria e non è possibile smaltirlo con i rifiuti domestici indifferenziati nell'Unione europea. Consultare la documentazione del prodotto per le informazioni specifiche sulla batteria. La batteria è contrassegnata con il presente simbolo, che potrebbe includere le sigle di cadmio (Cd), piombo (Pb) o mercurio (Hg). Per lo smaltimento corretto, restituire la batteria al rivenditore locale o smaltirla nei punti di raccolta autorizzati. Ulteriori informazioni sono disponibili sul sito: www.recyclethis.info.

Istruzioni per la sicurezza

Le presenti istruzioni hanno lo scopo di garantire che il prodotto venga utilizzato in modo corretto, evitando situazioni di pericolo o danni materiali.

Leggi e regolamenti

- Il prodotto deve essere utilizzato rispettando rigorosamente le norme locali in materia di sicurezza elettrica.

Trasporto

- Per trasportare il dispositivo, riporlo nella confezione originale o in una analoga.
- Dopo aver disimballato il prodotto, conservare tutto il materiale di imballaggio per riutilizzarlo in futuro. In caso di guasti, sarà necessario inviare il dispositivo al produttore nell'imballaggio originale. Il trasporto senza l'imballaggio originale può causare danni al dispositivo; in tal caso il produttore declina ogni responsabilità.
- Non lasciar cadere il prodotto e non sottoporlo a impatti. Tenere il dispositivo lontano dalle interferenze magnetiche.

Alimentazione

- La tensione in ingresso deve essere conforme alla norma IEC62368 sulle fonti di alimentazione limitate (3,85 VCC; 570 mA). Per informazioni dettagliate, consultare le specifiche tecniche.
- Verificare che la spina sia correttamente inserita nella presa di corrente.
- NON collegare più dispositivi allo stesso alimentatore per evitare rischi di surriscaldamento o di incendio da sovraccarico.
- Utilizzare un alimentatore fornito da un produttore qualificato. Fare riferimento alle specifiche del prodotto per i requisiti di alimentazione dettagliati.

Batteria

- Caricare l'apparecchio per 3 ore prima di utilizzarlo per la prima volta.
- Utilizzando o sostituendo la batteria in modo errato si possono causare esplosioni. Sostituire la batteria solo con una dello stesso tipo o di tipo equivalente. Smaltire le batterie esaurite secondo le istruzioni del produttore.
- La batteria integrata non può essere smontata. Per eventuali riparazioni, rivolgersi al produttore.
- Non usare il caricabatterie in dotazione per caricare altri tipi di batterie. Verificare che durante la ricarica non ci siano materiali infiammabili nel raggio di 2 metri dal caricabatterie.
- Se la batteria rimane inutilizzata per lunghi periodi, caricarla completamente ogni sei mesi per garantire una lunga durata. In caso contrario potrebbe subire danni.
- Utilizzare una batteria fornita da un produttore qualificato. Fare riferimento alle specifiche del prodotto per i requisiti di batteria dettagliati.
- NON collocare la batteria vicino a fonti di calore o fuoco. Evitare la luce diretta del sole.
- NON ingoiare la batteria per evitare ustioni chimiche.
- Tenere la batteria fuori dalla portata dei bambini.
- Quando il dispositivo è spento e la batteria RTC completamente carica, le impostazioni dell'ora possono essere conservate per 6 mesi.
- Al primo utilizzo, caricare il dispositivo spento per più di 2,5 ore.
- La batteria ha una tensione di 3,85 V e una capacità di 2.100 mAh.
- La batteria è certificata da UL2054.

Manutenzione

- Se il prodotto non funziona correttamente, rivolgersi al rivenditore o al centro di assistenza più vicino. Decliniamo qualsiasi responsabilità in relazione a problemi causati da interventi di riparazione o manutenzione non autorizzati.
- Alcuni componenti (ad esempio, il condensatore elettrolitico) devono essere sostituiti periodicamente. La durata media di questi elementi è variabile, quindi devono essere controllati regolarmente. Contattare il rivenditore per i dettagli.
- Se necessario, pulire delicatamente il dispositivo con un panno pulito imbevuto di una piccola quantità di alcool etilico.
- Se il dispositivo viene utilizzato in un modo non approvato dal produttore la garanzia potrebbe essere annullata.

Servizio di calibrazione

- Si consiglia di inviare il dispositivo per la calibrazione una volta all'anno, dopo aver richiesto al proprio rivenditore locale le informazioni sui centri di manutenzione. Per servizi di calibrazione più dettagliati, consultare la pagina <https://www.hikmicrotech.com/en/calibrationservices/2>.

Ambiente di utilizzo

- NON esporre il dispositivo ad ambienti estremamente caldi, freddi, polverosi, corrosivi, salino-alcalini o umidi. Verificare che l'ambiente di utilizzo sia conforme ai requisiti del dispositivo. La temperatura operativa deve essere compresa tra -10 °C e 50 °C (tra 14 °F e 122 °F) e l'umidità non deve superare il 95%.
- Questo dispositivo può essere utilizzato in sicurezza solo a un'altitudine inferiore a 2.000 metri sul livello del mare.
- Collocare il dispositivo in un ambiente asciutto e ben ventilato.
- NON esporre il dispositivo a radiazioni elettromagnetiche intense o ad ambienti polverosi.
- NON orientare l'obiettivo verso il sole o altre luci intense.
- Quando si utilizzano apparecchiature laser, non esporre l'obiettivo del dispositivo al raggio laser, che potrebbe bruciarlo.
- Il dispositivo è progettato per essere utilizzato in ambienti al chiuso e all'aperto, ma non deve essere esposto a umidità.
- Il livello di protezione è IP 54.
- Il grado di inquinamento è 2.

Assistenza tecnica

- I clienti HIKMICRO troveranno sul portale

<https://www.hikmicrotech.com> tutte le indicazioni necessarie a ottenere il massimo dai propri prodotti HIKMICRO. Il portale permette di accedere al nostro team di assistenza, offre documentazione e strumenti software, contatti per i servizi e molto altro.

Emergenza

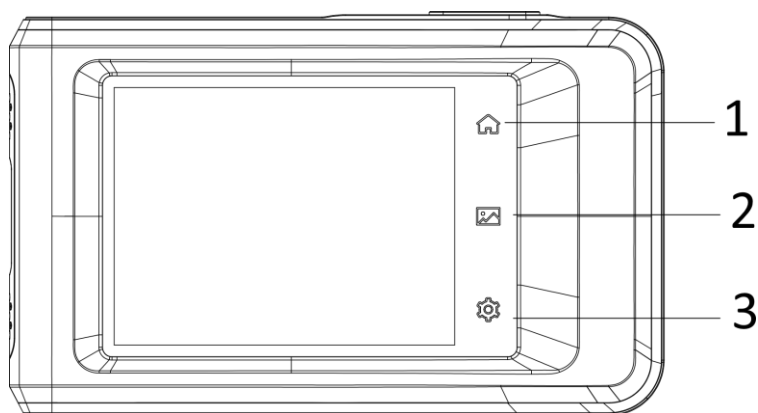
- Se il dispositivo emette fumo, odori o rumori, spegnerlo immediatamente e scollegare il cavo di alimentazione, quindi rivolgersi a un centro di assistenza.

Indirizzo del produttore

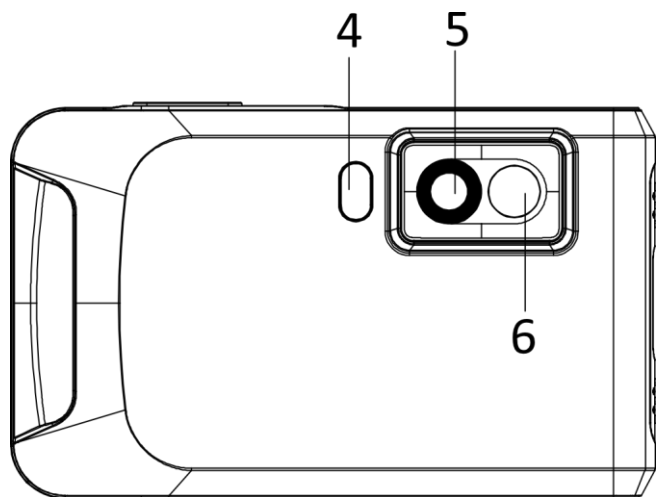
Stanza 313, unità B, edificio 2, via Danfeng 399, subdistretto Xixing, distretto Binjiang, Hangzhou, Zhejiang, 310052, Cina
Hangzhou Microimage Software Co., Ltd.

AVVISO SULLA CONFORMITÀ: i prodotti termografici potrebbero essere soggetti a controlli sulle esportazioni in vari Paesi o regioni, tra cui Stati Uniti, Unione europea, Regno Unito e/o altri Paesi membri dell'accordo di Wassenaar. Consultare un legale o un esperto di conformità o le autorità governative locali per eventuali requisiti di licenza di esportazione necessari se si intende trasferire, esportare, riesportare i prodotti termografici tra diversi Paesi.

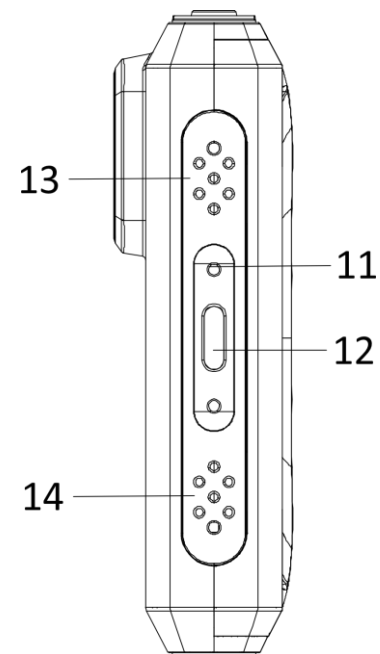
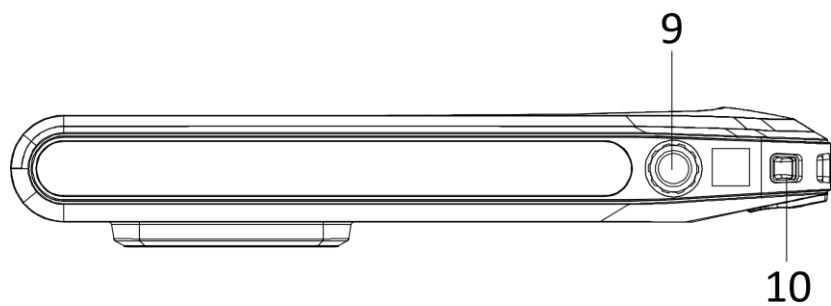
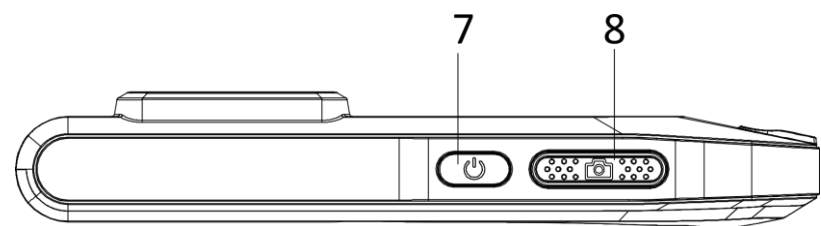
Čeština



Č.	Popis	Funkce
1	Tlačítko Domů	Klepnutím se vrátíte k rozhraní živého zobrazení.
2	Tlačítko Soubor	Klepnutím přejdete do alb.
3	Tlačítko Nastavení	Klepnutím přejdete do rozhraní nastavení.
4	Blesk	Slouží jako doplňkové světlo na



- | | | |
|---|------------------|-------------------------------------------|
| | | objekty a jako výstup blikajícího alarmu. |
| 5 | Termoobjektiv | Slouží k zobrazení termosnímku. |
| 6 | Optický objektiv | Slouží k zobrazení optického snímku. |



Č.	Popis	Funkce
7	Vypínač	Podržením zapnete/vypnete zařízení.
8	Tlačítko snímání	<ul style="list-style-type: none"> ● Stisknutí v režimu živého zobrazení: pořizení snímků/zastavení záznamu ● Stisknutí v režimu nabídky: návrat k rozhraní živého zobrazení ● Podržení: Slouží ke spuštění nahrávání
9	Držák na stativ	Připevněte stativ.
10	Upevňovací bod popruhu	Slouží k připevnění popruhu.
11	Indikátor	<p>Zjistěte stav nabíjení zařízení.</p> <ul style="list-style-type: none"> ● Svítí červeně: normální nabíjení ● Bliká červeně: výjimka z nabíjení ● Svítí zeleně: plně nabito
12	Konektor typu C	Slouží k nabíjení zařízení nebo exportu souborů přes kabel typu C.
13	Bzučák	Slouží k výstupu slyšitelného alarmu.
14	Mikrofon	Slouží k nahrávání zvuku.

Měření teploty

S vestavěným vysoce citlivým detektorem IR a vysoce výkonným senzorem je rozsah měření teploty –20 až 400 °C s přesností měření teploty ± 2 °C nebo 2 % při okolní teplotě 15 až 35 °C a teplotě objektu vyšší než 0 °C.

Nabídka zobrazená po přejetí prstem

V nabídce zobrazené po přejetí prstem můžete nastavit jas a povolit funkce jako síť Wi-Fi, Bluetooth, hotspot, vysílání obrazovky, blesk, automatické otáčení a tmavý/jasný režim.

Připojení klientského softwaru

Prostřednictvím aplikace HIKMICRO Viewer můžete na telefonu zobrazit živé zobrazení, pořizovat snímky a nahrávat videa. Chcete-li stáhnout aplikaci, naskenujte kód QR na obalu.

A k profesionální analýze snímků offline a ke generování zprávy na počítači ve vlastním formátu si můžete stáhnout aplikaci HIKMICRO Analyzer (<https://www.hikmicrotech.com>).

Nastavení obrazu

Pro lepší analýzu teplotního rozdílu a dosažení dobrého termálního efektu lze ručně nebo automaticky nastavit možnost Úroveň a rozsah.

V automatickém režimu nastaví zařízení parametry teplotního rozsahu automaticky. V ručním režimu můžete na obrazovce klepnout na oblast zájmu, nebo klepnutím na šipky na levé straně obrazovky nastavit teplotní rozsah k zobrazení.



Poznámka: Vaše kamera bude pravidelně provádět samokalibraci, aby optimalizovala kvalitu obrazu a přesnost měření. Během tohoto procesu se obraz na okamžik zastaví a uslyšíte „cvaknutí“, způsobené pohybem závěrky před detektorem. Když se zařízení kalibruje samo, zobrazí se nahoře uprostřed obrazovky text „Kalibrování...“. Samokalibrace bude častější během spouštění nebo ve velmi chladných či velmi horkých prostředích. Jde o běžné chování kamery při provozu, které zajišťuje její optimální výkon.

Návod k obsluze

Podrobné pokyny k obsluze získáte v návodu k obsluze

dostupném po naskenování kódu QR.



Právní informace


©2022 Hangzhou Microimage Software Co., Ltd. Všechna práva vyhrazena.

Informace o tomto návodu

V návodu jsou obsaženy pokyny k používání a obsluze výrobku. Obrázky, schémata, snímky a veškeré ostatní zde uvedené informace slouží pouze jako popis a vysvětlení. Informace obsažené v tomto návodu podléhají vzhledem k aktualizacím firmwaru nebo z jiných důvodů změnám bez upozornění. Nejnovější verzi tohoto návodu naleznete na webových stránkách společnosti HIKMICRO (www.hikmicrotech.com/).

Tento návod používejte s vedením a pomocí odborníků vyškolených v oblasti podpory výrobku.

Prohlášení o ochranných známkách

 **HIKMICRO** a ostatní ochranné známky společnosti HIKMICRO jsou vlastnictvím společnosti HIKMICRO v různých jurisdikcích. Ostatní ochranné známky a loga uvedené v této příručce jsou majetkem příslušných vlastníků.

PROHLÁŠENÍ O VYLOUČENÍ ODPOVĚDNOSTI

TATO PŘÍRUČKA A POPISOVANÉ PRODUKTY VČETNĚ PŘÍSLUŠNÉHO HARDWARU, SOFTWARE A FIRMWARE JSOU V MAXIMÁLNÍM ROZSAHU PŘÍPUSTNÉM PODLE ZÁKONA POSKYTOVÁNY, „JAK STOJÍ A LEŽÍ“, A „SE VŠEMI VADAMI A CHYBAMI“. SPOLEČNOST HIKMICRO NEPOSKYTUJE ŽÁDNÉ VÝSLOVNÉ ANI PŘEDPOKLÁDANÉ ZÁRUKY ZARNUJÍCÍ MIMO JINÉ PRODEJNOST, USPOKOJIVOU KVALITU NEBO VHODNOST KE KONKRÉTNÍM ÚČELŮM. POUŽÍVÁNÍ TOHOTO PRODUKTU JE NA VAŠE VLASTNÍ RIZIKO. SPOLEČNOST HIKMICRO V ŽÁDNÉM PŘÍPADĚ NENESE ODPOVĚDNOST ZA JAKÉKOLI ZVLÁŠTNÍ, NÁSLEDNÉ, NÁHODNÉ NEBO NEPŘÍMÉ ŠKODY ZAHRNUTÉ MIMO JINÉ ŠKODY ZE ZTRÁTY OBCHODNÍHO ZISKU, PŘERUŠENÍ OBCHODNÍ ČINNOSTI NEBO ZTRÁTY DAT, POŠKOZENÍ SYSTÉMŮ NEBO ZTRÁTY

DOKUMENTACE V SOUVISLOSTI S POUŽÍVÁNÍM TOHOTO VÝROBKU BEZ OHLEDU NA TO, ZDA TAKOVÉ ŠKODY VZNIKLY Z DŮVODU PORUŠENÍ SMLOUVY, OBČANSKOPRÁVNÍHO PŘEČINU (VČETNĚ NEDBALOSTI) ČI ODPOVĚDNOSTI ZA PRODUKT, A TO ANI V PŘÍPADĚ, ŽE SPOLEČNOST HIKMICRO BYLA NA MOŽNOST TAKOVÝCHTO ŠKOD NEBO ZTRÁTY UPOZORNĚNA.


BERETE NA VĚDOMÍ, ŽE INTERNET SVOU PODSTATOU PŘEDSTAVUJE SKRYTÁ BEZPEČNOSTNÍ RIZIKA A SPOLEČNOST HIKMICRO PROTO NEPŘEBÍRÁ ŽÁDNOU ODPOVĚDNOST ZA NESTANDARDNÍ PROVOZNÍ CHOVÁNÍ, ÚNIK OSOBNÍCH ÚDAJŮ NEBO JINÉ ŠKODY VYPLÝVAJÍCÍ Z KYBERNETICKÉHO ČI HACKERSKÉHO ÚTOKU, NAPADENÍ VIREM NEBO ŠKODY ZPŮSOBENÉ JINÝMI INTERNETOVÝMI BEZPEČNOSTNÍMI RIZIKY; SPOLEČNOST HIKMICRO VŠAK V PŘÍPADĚ POTŘEBY POSKYTNE VČASNOU TECHNICKOU PODPORU.

SOUHLASÍTE S TÍM, ŽE TENTO PRODUKT BUDE POUŽÍVÁN V SOULADU SE VŠEMI PLATNÝMI ZÁKONY A VÝHRADNĚ ODPOVÍDÁTE ZA ZAJIŠTĚNÍ, ŽE VAŠE UŽÍVÁNÍ BUDE V SOULADU S PLATNOU LEGISLATIVOU. ODPOVÍDÁTE ZEJMÉNA ZA POUŽÍVÁNÍ PRODUKTU ZPŮSOBEM, KTERÝ NEPORUŠUJE PRÁVA TŘETÍCH STRAN, COŽ ZAHRNULÉ MIMO JINÉ PRÁVO NA OCHRANU OSOBNOSTI, PRÁVO DUŠEVNÍHO VLASTNICTVÍ NEBO PRÁVO NA OCHRANU OSOBNÍCH ÚDAJŮ A DALŠÍ PRÁVA NA OCHRANU SOUKROMÍ. TENTO PRODUKT NESMÍTE POUŽÍVAT K JAKÝMKOLI NEDOVOLENÝM KONCOVÝM ÚČELŮM VČETNĚ VÝVOJE ČI VÝROBY ZBRANÍ HROMADNÉHO NIČENÍ, VÝVOJE NEBO VÝROBY CHEMICKÝCH ČI BIOLOGICKÝCH ZBRANÍ NEBO JAKÝCHKOLI ČINNOSTÍ SOUVISEJÍCÍCH S JADERNÝMI VÝBUŠNINAMI NEBO NEBEZPEČNÝM JADERNÝM PALIVOVÝM CYKLEM ČI K PODPOŘE PORUŠOVÁNÍ LIDSKÝCH PRÁV.

V PŘÍPADĚ JAKÉHOKOLI ROZPORU MEZI TÍMTO NÁVODEM A PŘÍSLUŠNÝMI ZÁKONY PLATÍ DRUHÉ ZMÍNĚNÉ.

Zákonné informace

EU prohlášení o shodě

 Tento výrobek a případně i dodané příslušenství mají označení „CE“, a tudíž splňují požadavky platných harmonizovaných evropských norem uvedených ve směrnici 2014/30/EU (EMCD), směrnici 2014/35/EU (LVD) a směrnici 2011/65/EU (RoHS).

Omezení v pásmu 5 GHz:

Podle čl. 10 (10) směrnice 2014/53/EU je toto zařízení při provozu ve

frekvenčním pásmu 5150 až 5350 MHz omezeno na vnitřní použití v těchto zemích: Rakousko (AT), Belgie (BE), Bulharsko (BG), Chorvatsko (HR), Kypr (CY), Česká republika (CZ), Dánsko (DK), Estonsko (EE), Finsko (FI), Francie (FR), Německo (DE), Řecko (EL), Maďarsko (HU), Island (IS), Irsko (IE), Itálie (IT), Lotyšsko (LV), Lichtenštejnsko (LI), Litva (LT), Lucembursko (LU), Malta (MT), Nizozemsko (NL), Severní Irsko (UK (NI)), Norsko (NO), Polsko (PL), Portugalsko (PT), Rumunsko (RO), Slovensko (SK), Slovinsko (SI), Španělsko (ES), Švédsko (SE), Švýcarsko (CH) a Turecko (TR).

Frekvenční pásma a jmenovité limity přenášeného výkonu (vyzařovaného a vedeného) jsou ve vztahu k tomuto rádiovému zařízení následující:

Síť Wi-Fi: 2,4 GHz (2,4 GHz až 2,4835 GHz): 20 dBm; 5 GHz (5,15 GHz až 5,25 GHz): 23 dBm; 5 GHz (5,25 GHz až 5,35 GHz): 23 dBm; 5 GHz (5,47 GHz až 5,725 GHz): 23 dBm; 5 GHz (5,725 GHz až 5,85 GHz): 14 dBm

Bluetooth: 2,4 GHz (2,4 GHz až 2,4835 GHz): 20 dBm

Používejte napájecí adaptér dodaný kvalifikovaným výrobcem. Podrobné požadavky na napájení naleznete ve specifikaci výrobku.

Používejte baterii dodanou kvalifikovaným výrobcem. Podrobné požadavky na baterii naleznete ve specifikaci výrobku.



Směrnice 2012/19/EU (směrnice WEEE): Výrobky označené tímto symbolem nelze v Evropské unii likvidovat společně s netříděným domovním odpadem. Při zakoupení nového ekvivalentního výrobku tento výrobek řádně zrecyklujte

vrácením svému místnímu dodavateli, nebo jej zlikvidujte odevzdáním v určených sběrných místech. Další informace naleznete na adrese: www.recyclethis.info



Směrnice 2006/66/ES a její úprava 2013/56/EU (směrnice o bateriích): Tento výrobek obsahuje baterii, kterou nelze v Evropské unii likvidovat společně s netříděným domovním odpadem. Konkrétní informace o baterii naleznete v dokumentaci výrobku. Baterie je označena tímto symbolem, který může obsahovat písmena značící kadmium (Cd), olovo (Pb) nebo rtuť (Hg). Za účelem řádné recyklace baterii odevzdejte svému dodavateli nebo na určené sběrné místo. Další informace naleznete na adrese: www.recyclethis.info

Bezpečnostní pokyny

Účelem těchto pokynů je zajistit, aby uživatel mohl výrobek správně používat a zabránilo se nebezpečí nebo újmě na majetku.

Zákony a předpisy

- Používání výrobku musí být přísně v souladu s místními bezpečnostními předpisy pro elektrická zařízení.

Přeprava

- Při přepravě uchovávejte zařízení v původním nebo jemu podobném balení.
- Po vybalení uchovejte veškeré obaly pro budoucí použití. V případě jakékoli poruchy je třeba vrátit zařízení výrobcem v původním obalu. Přeprava bez původního obalu může vést k poškození zařízení, za které společnost neponese odpovědnost.
- Produkt nevystavujte fyzickým nárazům a zabraňte jeho spadnutí. Udržujte zařízení mimo dosah magnetického rušení.

Napájení

- Vstupní napětí musí dle standardu IEC62368 splňovat požadavky na omezený zdroj napájení (3,85 V DC, 570 mA). Podrobné informace naleznete v technických údajích.
- Zkontrolujte, zda je zástrčka řádně zapojena do napájecí zásuvky.
- K jednomu napájecímu adaptéru NEPŘIPOJUJTE více zařízení, abyste zabránili přehřátí nebo nebezpečí požáru v důsledku přetížení.
- Používejte napájecí adaptér dodaný kvalifikovaným výrobcem. Podrobné požadavky na napájení naleznete ve specifikaci výrobku.

Baterie

- Před prvním použitím nabíjejte zařízení alespoň pod dobu 3 hodin.
- Nesprávné používání nebo výměna baterie mohou vést k nebezpečí výbuchu. Baterii nahrazujte pouze stejným nebo odpovídajícím typem. Použité baterie likvidujte dle pokynů poskytnutých výrobcem baterie.
- Vestavěnou baterii nelze rozebírat. Je-li třeba ji opravit, obraťte se na výrobce.
- Dodanou nabíječkou nenabíjejte jiné typy baterií. Během nabíjení ověřte, zda se v okolí 2 m od nabíječky nenachází hořlavé materiály.
- Při dlouhodobém skladování baterii každého půl roku plně nabijte, abyste zajistili zachování její kvality. V opačném případě může dojít k jejímu poškození.
- Používejte baterii dodanou kvalifikovaným výrobcem. Podrobné

požadavky na baterii naleznete ve specifikaci výrobku.

- NEPOKLÁDEJTE baterii poblíž zdroje tepla nebo ohně. Vyhněte se přímému slunečnímu záření.
- Baterii NEPOLYKEJTE, mohlo by dojít k chemickým popáleninám.
- NEPOKLÁDEJTE baterii na místa v dosahu dětí.
- Pokud je zařízení vypnuté a baterie RTC je plně nabita, lze nastavení času uchovat po dobu 6 měsíců.
- Před prvním použitím nabijte zařízení ve vypnutém stavu po dobu více než 2,5 hodiny.
- Napětí baterie je 3,85 V a kapacita baterie je 2 100 mAh.
- Baterie je certifikována dle standardu UL2054.

Údržba

- V případě, že výrobek nefunguje správně, obraťte se na prodejce nebo na nejbližší servisní středisko. Nepřebíráme žádnou odpovědnost za problémy způsobené neoprávněnou opravou nebo údržbou.
- Některé z komponent zařízení (např. elektrolytický kondenzátor) je nutné pravidelně vyměňovat. Průměrná doba životnosti se liší, doporučujeme proto pravidelné kontroly. Podrobnosti vám poskytne prodejce.
- V případě potřeby zařízení jemně otřete čistým hadříkem navlhčeným malým množstvím etanolu.
- V případě použití zařízení způsobem jiným než určeným výrobcem může dojít ke zrušení platnosti záruky.

Služba kalibrace

- Doporučujeme, abyste zařízení zasílali jednou za rok zpět ke kalibraci. Informace o místech nabízejících údržbu vám poskytne místní prodejce. Podrobnější informace o kalibračních službách naleznete na adrese <https://www.hikmicrotech.com/en/calibrationservices/2>.

Provozní prostředí

- NEVYSTAVUJTE zařízení extrémně horkému, chladnému, prašnému, korozivnímu, slanému/zásaditému nebo vlhkému prostředí. Zajistěte, aby provozní prostředí vyhovovalo požadavkům zařízení. Provozní teplota musí být -10 °C až 50 °C a provozní vlhkost musí

být max. 95 %.

- Toto zařízení lze bezpečně používat výhradně v oblasti do 2 000 metrů nadmořské výšky.
- Umístěte zařízení na suché a dobře větrané místo.
- NEVYSTAVUJTE zařízení silnému elektromagnetickému záření ani prašnému prostředí.
- NEMÍŘTE objektivem do slunce ani do jiného zdroje jasného světla.
- Používá-li se nějaké laserové zařízení, zajistěte, aby nebyl objektiv zařízení vystaven laserovému paprsku. V opačném případě by se mohl vypálit.
- Zařízení je vhodné pro používání uvnitř i venku, ale nevystavujte jej vlhkosti.
- Úroveň krytí je IP 54.
- Stupeň znečištění je 2.

Technická podpora

- Jako zákazníkovi společnosti HIKMICRO vám portál <https://www.hikmicrotech.com> pomůže získat ze svých produktů HIKMICRO co nejvíc. Na portálu máte přístup k týmu podpory, softwaru a dokumentaci, kontaktním údajům servisu atd.

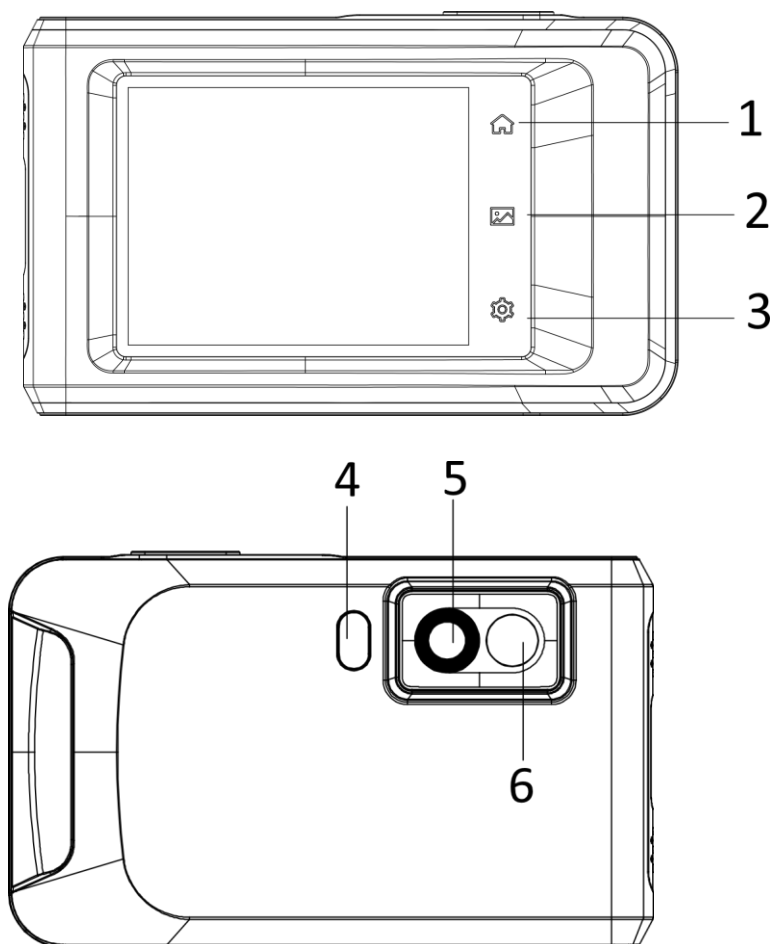
Stav nouze

- Pokud ze zařízení vychází kouř, zápach nebo hluk, zařízení okamžitě vypněte, odpojte napájecí kabel a obraťte se na servisní středisko.

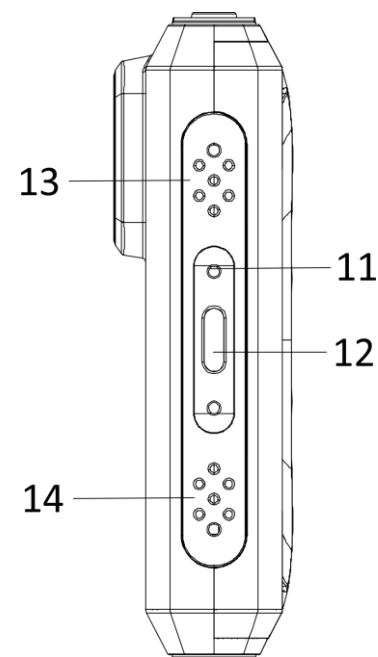
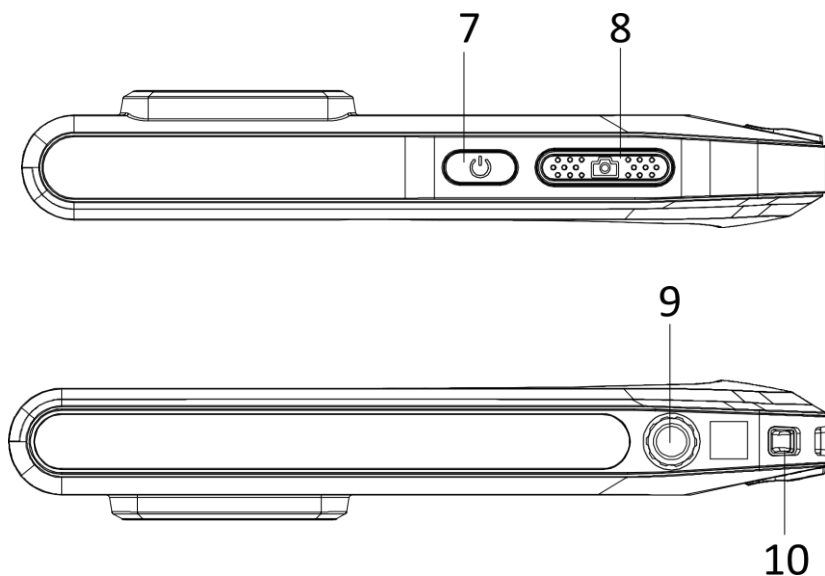
Adresa výrobce

Místnost 313, jednotka B, budova 2, ulice Danfeng 399, podobvod Xixing, obvod Binjiang, Hangzhou, Zhejiang 310052, Čína
Hangzhou Microimage Software Co., Ltd.

POZNÁMKA O DODRŽOVÁNÍ PŘEDPISŮ: Na výrobky termální řady se mohou vztahovat vývozní opatření v různých zemích nebo regionech včetně, mimo jiné, Spojených států, Evropské unie, Spojeného království a dalších členských států Wassenaarského ujednání. Máte-li v úmyslu přenášet, exportovat nebo opětovně exportovat výrobky termální řady mezi různými zeměmi, obraťte se na profesionálního právníka, odborníka v oblasti dodržování předpisů nebo místní úřady, aby vám sdělili všechny nezbytné licenční požadavky pro export.



Číslo	Popis	Funkcia
1	Kláves Domov	Ťuknutím sa vrátite do rozhrania živého zobrazenia.
2	Tlačidlo súboru	Ťuknutím vstúpite do albumov.
3	Tlačidlo nastavení	Ťuknutím vstúpite do rozhrania nastavení.
4	Baterka	Osvetlenie objektov a výstupný blikajúci alarm.
5	Tepelný objektív	Zobrazenie tepelného obrazu.
6	Optický objektív	Zobrazenie optického obrazu.



Číslo	Popis	Funkcia
7	Kláves napájania	Podržaním zariadenie zapnete alebo vypnete.
8	Kláves snímania	<ul style="list-style-type: none"> ● Stlačenie v živom zobrazení: nasnímanie snímky/zastavenie zaznamenávania ● Stlačenie v režime ponuky: návrat do rozhrania živého zobrazenia ● Podržanie: spustenie zaznamenávania
9	Bod na upevnenie trojnožky	Slúži na upevnenie trojnožky.
10	Bod na pripojenie popruhu	Slúži na upevnenie popruhu.
11	Indikátor	Signalizuje stav nabitia zariadenia. <ul style="list-style-type: none"> ● Neprerušovaná červená: normálne nabíjanie ● Blikajúca červená: chyba pri nabíjaní ● Neprerušovaná zelená: úplne nabité

12	Rozhranie Type-C	Pomocou kábla typu C môžete zariadenie nabíjať alebo exportovať súbory.
13	Bzučiak	Výstupný zvukový alarm.
14	Mikrofón	Záznam zvuku.

Meranie teploty

Vďaka zabudovanému vysokocitlivému infračervenému detektoru a vysoko výkonnému snímaču je rozsah merania teploty -20 °C až 400 °C (-4 °F až 752 °F) s presnosťou merania teploty ± 2 °C ($\pm 3,6$ °F) alebo 2 %, ak je teplota okolia 15 °C až 35 °C (59 °F až 95 °F) a teplota objektu je vyššia ako 0 °C (32 °F).

Ponuka po potiahnutí nadol

V ponuke po potiahnutí nadol môžete upraviť jas a aktivovať funkcie, ako sú Wi-Fi, Bluetooth, prístupový bod, zrkadlenie obrazovky, blesk, automatické otáčanie a tmavý/jasný režim.

Pripojenie klientskeho softvéru

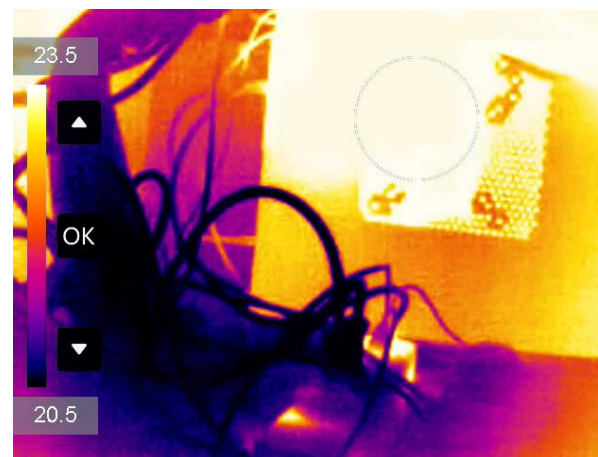
Pomocou aplikácie HIKMICRO Viewer vo vašom telefóne môžete sledovať živý náhľad, zachytávať momentky a nahrávať videá. Naskenujte kódy QR na obale a stiahnite si aplikáciu.

A môžete si stiahnuť aplikáciu HIKMICRO Analyzer (<https://www.hikmicrotech.com>) na profesionálnu analýzu obrázkov offline a na vytvorenie správy vo vlastnom formáte na svojom počítači.

Úprava obrazu

Úroveň a rozpätie možno nastaviť manuálne alebo automaticky, aby sa dosiahol dobrý tepelný efekt na lepšiu analýzu teplotných rozdielov.

V automatickom režime zariadenie automaticky upravuje parametre teplotného rozsahu. V manuálnom režime môžete ťuknúť na oblasť záujmu obrazovky alebo ťuknúť na šípky na ľavej strane obrazovky a nastaviť teplotný rozsah na zobrazenie.



Poznámka: Váš fotoaparát bude pravidelne vykonávať samokalibráciu na optimalizáciu kvality obrazu a presnosti merania. Pri tomto postupe sa obraz nakrátko zastaví a budete počuť „cvaknutie“, keď sa bude uzávierka pohybovať pred detektorom. Počas automatickej kalibrácie zariadenia sa hore v strede obrazovky zobrazí výzva „Prebieha kalibrácia...“. Samokalibrácia počas spúšťania bude častejšia alebo vo veľmi chladnom alebo horúcom prostredí. Ide o bežnú súčasť činnosti na zabezpečenie optimálneho výkonu kamery.

Návod na používanie

Podrobný návod na obsluhu získate v návode na používanie naskenovaním kódu QR.



Právne informácie

©2022 Hangzhou Microimage Software Co., Ltd. Všetky práva


vyhradené.

Informácie o tomto návode

Táto príručka obsahuje pokyny na používanie a správu produktu. Obrázky, grafy, nákresy a všetky ďalšie informácie, ktoré sú v ňom uvedené, slúžia len na opis a vysvetlenie. Informácie uvedené v návode sa môžu zmeniť bez predchádzajúceho upozornenia v dôsledku aktualizácií firmvéru alebo iných príčin. Najnovšiu verziu tejto príručky nájdete na webovej lokalite HIKMICRO (www.hikmicrotech.com/).

Používajte tento návod v súlade s pokynmi a radami odborníkov, ktorí sú vyškolení na obsluhu produktu.

Potvrdenia o ochranných známkach

 HIKMICRO a iné ochranné známky a logá spoločnosti HIKMICRO sú vlastníctvom spoločnosti HIKMICRO v rôznych jurisdikciách.

Iné ochranné známky a logá sú vlastníctvom príslušných majiteľov.

PRÁVNE VYHLÁSENIE O VYLÚČENÍ ZODPOVEDNOSTI


V MAXIMÁLNO M MOŽNOM ROZSAHU, KTORÝ POVOĽUJÚ PRÍSLUŠNÉ PRÁVNE PREDPISY, SA TÁTO PRÍRUČKA A OPÍSANÝ PRODUKT SPOLU S JEHO HARDVÉROM, SOFTVÉROM A FIRMVÉROM, DODÁVAJÚ V STAVE „AKO SÚ“ A „SO VŠETKÝMI PORUCHAMI A CHYBAMI“. SPOLOČNOSŤ HIKMICRO NEPOSKYTUJE ŽIADNE VÝSLOVNÉ ANI PREDPOKLADANÉ ZÁRUKY, OKREM INÉHO O PREDAJNOSTI, USPOKOJIVEJ KVALITE ALEBO VHODNOSTI NA KONKRÉTNY ÚČEL. POUŽÍVANIE PRODUKTU JE NA VAŠE VLASTNÉ RIZIKO. SPOLOČNOSŤ HIKMICRO V ŽIADNOM PRÍPADE NENESIE ZODPOVEDNOSŤ ZA ŽIADNE OSOBNÉ, NÁSLEDNÉ, NÁHODNÉ ALEBO NEPRIAME ŠKODY, OKREM INÉHO VRÁTANE ŠKÔD Z UŠLÉHO PODNIKATEĽSKÉHO ZISKU, PRERUŠENIA PODNIKANIA, STRATY ÚDAJOV, POŠKODENIA SYSTÉMOV ALEBO STRATY DOKUMENTÁCIE, ČI UŽ NA ZÁKLADE PORUŠENIA ZMLUVY, PREČINU (VRÁTANE NEDBALOSTI), ZODPOVEDNOSTI ZA PRODUKT ALEBO INAK V SÚVISLOSTI S POUŽÍVANÍM PRODUKTU, A TO ANI V PRÍPADE, AK BOLA SPOLOČNOSŤ HIKMICRO UPOZORNENÁ NA MOŽNOSŤ TAKÝCHTO ŠKÔD.

UZNÁVATE, ŽE Z POVAHY INTERNETU VYPLÝVAJÚ INHERENTNÉ BEZPEČNOSTNÉ RIZIKÁ A SPOLOČNOSŤ HIKMICRO NENESIE ŽIADNU ZODPOVEDNOSŤ ZA NEŠTANDARDNÚ PREVÁDZKU, ÚNIK OSOBNÝCH ÚDAJOV ANI ZA INÉ ŠKODY V DÔSLEDKU KYBERNETICKÉHO ÚTOKU, HAKERSKÉHO ÚTOKU, VÍRUSOVEJ INFEKcie ALEBO INÝCH BEZPEČNOSTNÝCH RIZÍK SIETE INTERNET; V PRÍPADE POTREBY VŠAK SPOLOČNOSŤ HIKMICRO POSKYTNE VČASNÚ TECHNICKÚ PODPORU. SÚHLASÍTE S POUŽÍVANÍM TOHTO PRODUKTU V SÚLADE SO VŠETKÝMI PRÍSLUŠNÝMI ZÁKONMI A NESIETE VÝHRADNÚ ZODPOVEDNOSŤ ZA ZABEZPEČENIE, ABY VAŠE POUŽÍVANIE BOLO V SÚLADE S PRÍSLUŠNÝMI ZÁKONMI. STE OBZVLÁŠŤ ZODPOVEDNÍ ZA POUŽÍVANIE TOHTO PRODUKTU SPÔSOBOM, KTORÝ NEPORUŠUJE PRÁVA TRETÍCH STRÁN, OKREM INÉHO PRÁVA PUBLICITY, PRÁVA DUŠEVNÉHO VLASTNÍCTVA, PRÁVA NA OCHRANU ÚDAJOV A INÉ PRÁVA NA OCHRANU SÚKROMIA. TENTO PRODUKT NESMIETE POUŽÍVAŤ NA ŽIADNE ZAKÁZANÉ ÚČELY VRÁTANE VÝVOJA ALEBO VÝROBY ZBRANÍ HROMADNÉHO NIČENIA, VÝVOJA ALEBO VÝROBY CHEMICKÝCH ALEBO BIOLOGICKÝCH ZBRANÍ, AKÝCHKOĽVEK AKTIVÍT V SÚVISLOSTI S AKOUKOĽVEK JADROVOU VÝBUŠNINOU ALEBO NEBEZPEČNÝM CYKLOM JADROVÉHO PALIVA, ALEBO NA PODPORU ZNEUŽÍVANIA ĽUDSKÝCH PRÁV. V PRÍPADE AKÉHOKOĽVEK NESÚLADU MEDZI TOUTO PRÍRUČKOU A PRÍSLUŠNÝMI PRÁVNÝMI PREDPISMI MAJÚ PREDNOSŤ PRÍSLUŠNÉ

PRÁVNE PREDPISY.

Regulačné informácie

Vyhľadanie o súlade s predpismi EÚ

 Tento produkt a dodané príslušenstvo, ak je to relevantné, sú takisto označené značkou „CE“, takže sú v súlade s príslušnými harmonizovanými európskymi normami uvedenými v smernici 2014/30/EÚ (EMCD), smernici 2014/35/EÚ (LVD), smernici 2011/65/EÚ (RoHS).

Obmedzenia v pásme 5 GHz:

Podľa článku 10 ods. 10 smernice 2014/53/EÚ je používanie tohto zariadenia pri prevádzke vo frekvenčnom rozsahu 5150 až 5350 MHz obmedzené v nasledujúcich krajinách na interier: Rakúsko (AT), Belgicko (BE), Bulharsko (BG), Chorvátsko (HR), Cyprus (CY), Česká republika (CZ), Dánsko (DK), Estónsko (EE), Fínsko (FI), Francúzsko (FR), Nemecko (DE), Grécko (EL), Maďarsko (HU), Island (IS), Írsko (IE), Taliansko (IT), Lotyšsko (LV), Lichtenštajnsko (LI), Litva (LT), Luxembursko (LU), Malta (MT), Holandsko (NL), Severné Írsko (UK(NI)), Nórsko (NO), Poľsko (PL), Portugalsko (PT), Rumunsko (RO), Slovensko (SK), Slovinsko (SI), Španielsko (ES), Švédsko (SE), Švajčiarsko (CH) a Turecko (TR).

Frekvenčné pásma a nominálne limity vysielanej energie (vyžarovanej alebo vedenej), ktoré sa vzťahujú na toto vysielacie zariadenie, sú nasledujúce:

Wi-Fi: 2,4 GHz (2,4 GHz až 2,4835 GHz): 20 dBm; 5 GHz (5,15 GHz až 5,25 GHz): 23 dBm; 5 GHz (5,25 GHz až 5,35 GHz): 23 dBm; 5 GHz (5,47 GHz až 5,725 GHz): 23 dBm; 5 GHz (5,725 GHz až 5,85 GHz): 14 dBm

Bluetooth: 2,4 GHz (2,4 GHz až 2,4835 GHz): 20 dBm

Používajte napájací adaptér dodaný kvalifikovaným výrobcom. Podrobné požiadavky na napájanie nájdete v špecifikácii výrobku.

Používajte batériu dodanú kvalifikovaným výrobcom. Podrobné požiadavky na batériu nájdete v špecifikácii výrobku.



Smernica 2012/19/EÚ (smernica o odpade z elektrických a elektronických zariadení): Produkty označené týmto symbolom sa v rámci Európskej únie nesmú likvidovať spolu s netriedeným komunálnym odpadom. Po zakúpení

ekvivalentného nového zariadenia zrecyklujte produkt tým, že ho odovzdáte miestnemu dodávateľovi alebo ho zlikvidujete na určených zberných miestach. Ďalšie informácie nájdete na: www.recyclethis.info



Smernica 2006/66/EC a príslušné doplnenia 2013/56/EÚ (smernica o batériách): Tento produkt obsahuje batériu, ktorá sa v rámci Európskej únie nesmie likvidovať spolu s netriedeným komunálnym odpadom. Konkrétne informácie o batérii nájdete v dokumentácii produktu. Batéria je označená týmto symbolom, ktorý môže obsahovať písmená označujúce obsah kadmia (Cd), olova (Pb) alebo ortuti (Hg). Zrecyklujte batériu tým, že ju odovzdáte dodávateľovi alebo ju zlikvidujete na určenom zbernom mieste. Ďalšie informácie nájdete na: www.recyclethis.info.

Bezpečnostné pokyny

Tieto pokyny slúžia na zabezpečenie správneho používania produktu používateľom s cieľom predchádzať vzniku nebezpečenstva alebo majetkovým stratám.

Právne predpisy a nariadenia

- Používanie produktu musí byť v prísnom súlade s miestnymi elektroinštaláčnymi bezpečnostnými predpismi.

Preprava

- Pri preprave ponechajte zariadenie v pôvodnom alebo podobnom balení.
- Po rozbalení si všetky obaly odložte na budúce použitie. V prípade výskytu poruchy bude potrebné, aby ste zariadenie vrátili do výrobcovi v pôvodnom obale. Pri preprave bez pôvodného obalu môže dôjsť k poškodeniu zariadenia a spoločnosť za to nebude niesť žiadnu zodpovednosť.
- Chráňte zariadenie pred pádom alebo nárazom. Zariadenie chráňte pred magnetickým rušením.

Zdroj napájania

- Vstupné napätie musí spĺňať podmienky obmedzeného zdroja napájania (3,85 V jednosmerný prúd, 570 mA) podľa normy IEC62368. Podrobné informácie nájdete v technických špecifikáciách.
- Skontrolujte, či je zástrčka správne pripojená k napájacej zásuvke.
- K jednému napájaciemu adaptéru NEPRIPÁJAJTE viacero zariadení, aby nedošlo k prehriatiu alebo riziku požiaru v dôsledku preťaženia.
- Používajte napájací adaptér dodaný kvalifikovaným výrobcom.

Podrobné požiadavky na napájanie nájdete v špecifikácii výrobku.

Batéria

- Pred prvým použitím zariadenie nabíjajte 3 hodiny.
- Nesprávne používanie alebo výmena batérie môžu viesť k nebezpečenstvu výbuchu. Batériu nahrádzajte iba rovnakým alebo ekvivalentným typom. Použité batérie zlikvidujte podľa pokynov výrobcu batérie.
- Zabudovanú batériu nemožno rozoberať. V prípade potreby opravy sa obráťte na výrobcu.
- S dodanou nabíjačkou nenabíjajte iné typy batérií. Počas nabíjania skontrolujte, či sa do 2 m od nabíjačky nenachádza žiadny horľavý materiál.
- Pri dlhodobom uskladnení batériu každý polrok úplne nabite, čím zaistíte jej kvalitu. V opačnom prípade môže dôjsť k poškodeniu.
- Používajte batériu dodanú kvalifikovaným výrobcom. Podrobné požiadavky na batériu nájdete v špecifikácii výrobku.
- Batériu NEDÁVAJTE do blízkosti zdrojov tepla alebo ohňa. Vyvarujte sa priameho slnečného žiarenia.
- Batériu NEPREHĽTAJTE, aby nedošlo k popáleniu chemikáliami.
- Batériu NEDÁVAJTE do dosahu detí.
- Keď je zariadenie odpojené od napájania a batéria hodín reálneho času je nabitá, nastavenia času je možné uchovať po dobu 6 mesiacov.
- Pri prvom použití nabíjajte zariadenie viac ako 2,5 hodiny vo vypnutom stave.
- Napätie batérie je 3,85 V a kapacita batérie je 2100 mAh.
- Batéria je certifikovaná podľa normy UL2054.

Údržba

- Ak produkt nepracuje správne, obráťte sa na predajcu alebo na najbližšie servisné stredisko. Nepreberáme žiadnu zodpovednosť za problémy spôsobené neoprávnenou opravou alebo údržbou.
- Niekoľko komponentov zariadenia (napr. elektrolytický kondenzátor) si vyžaduje pravidelnú výmenu. Priemerná doba životnosti sa líši, preto odporúčame pravidelnú kontrolu. So žiadosťou o ďalšie podrobnosti sa obráťte na predajcu.
- V prípade potreby zariadenie jemne utrite čistou handričkou a malým množstvom etanolu.
- Ak sa zariadenie používa spôsobom, ktorý výrobca neuvádza, môže dôjsť k zníženiu ochrany poskytovanej zariadením.

Kalibračná služba

- Odporúčame vám odoslať zariadenie späť na kalibráciu raz ročne, pričom ďalšie informácie o miestach údržby vám poskytne miestny predajca. Informácie o podrobnejších kalibračných službách nájdete na adrese <https://www.hikmicrotech.com/en/calibrationservices/2>.

Prevádzkové prostredie

- Zariadenie NEVYSTAVUJTE extrémne horúcemu, chladnému, prašnému, korozívnemu, slanému alkalickému alebo vlhkému prostrediu. Zabezpečte, aby prevádzkové prostredie spĺňalo požiadavky zariadenia. Prevádzková teplota by mala byť -10 °C až 50 °C (14 °F až 122 °F) a prevádzková vlhkosť by mala byť 95 % alebo nižšia.
- Toto zariadenie sa môže bezpečne používať iba v oblastiach s nadmorskou výškou nižšou ako 2000 metrov.
- Zariadenie umiestnite v suchom a dobre vetranom prostredí.
- Zariadenie NEVYSTAVUJTE silnému elektromagnetickému žiareniu ani prašnému prostrediu.
- Šošovkou NEMIERTE na slnko ani na žiadny iný silný zdroj svetla.
- Pri používaní akéhokoľvek laserového vybavenia zabezpečte, aby objektív zariadenia nebol vystavený laserovému lúču, inak sa môže vypáliť.
- Zariadenie je vhodné na použitie vo vnútornom aj vonkajšom prostredí, ale nevystavujte ho vlhkému prostrediu.
- Trieda ochrany je IP 54.

- Miera znečistenia je 2.

Technická podpora

- Portál <https://www.hikmicrotech.com> vám ako zákazníkovi spoločnosti HIKMICRO umožní získať maximum z produktov HIKMICRO. Portál vám poskytuje prístup k tímu technickej podpory, softvéru a dokumentácii, servisným kontaktom atď.

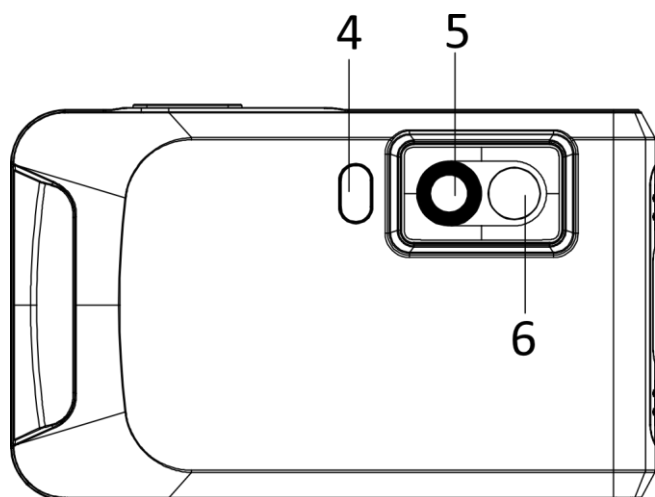
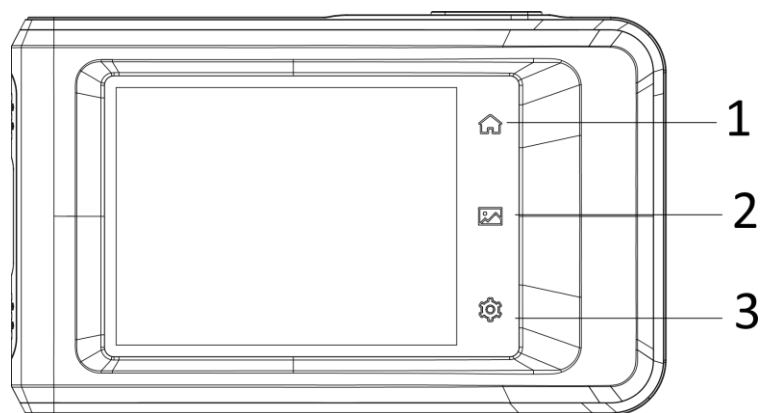
Núdzový režim

- Ak zo zariadenia vychádza dym, zápach alebo hluk, ihneď vypnite napájanie, odpojte napájací kábel a obráťte sa na servisné stredisko.

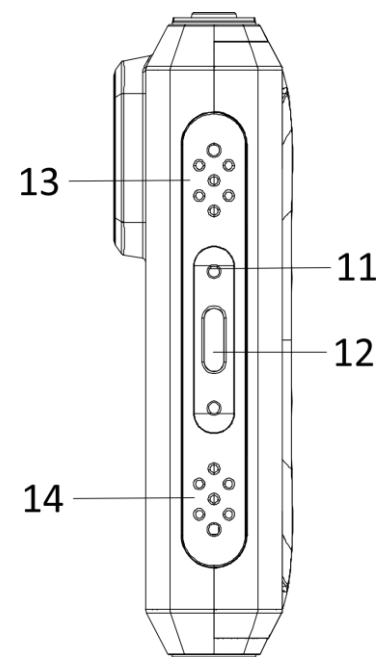
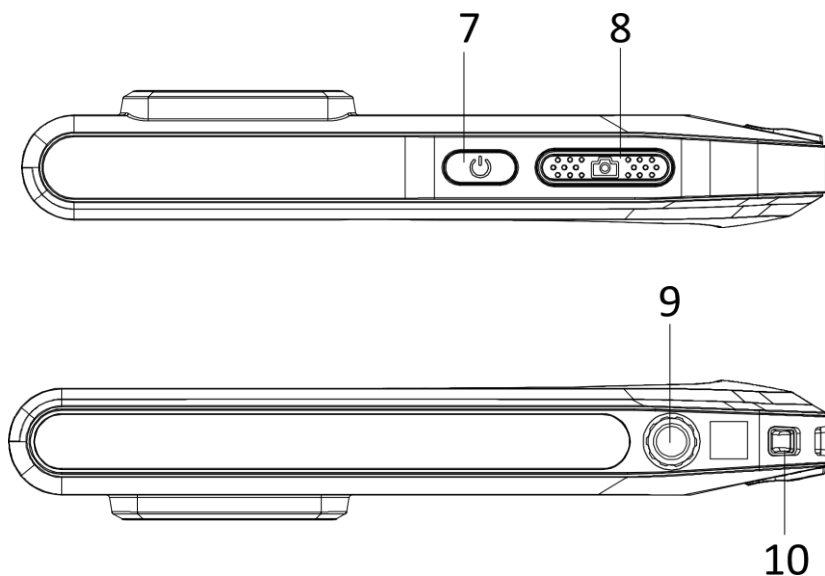
Adresa výrobcu

Miestnosť 313, Krídlo B, Budova 2, Ulica Danfeng 399, Obvod Xixing, Okres Binjiang, Hangzhou, Zhejiang 310052, Čína
Hangzhou Microimage Software Co., Ltd.

POZNÁMKA O SÚLADE S PREDPISMI: Produkty z radu teplocitlivých prístrojov môžu podliehať exportnej regulácii v rôznych krajinách alebo regiónoch vrátane napríklad Spojených štátov amerických, Európskej únie, Spojeného kráľovstva prípadne aj krajín Wassenaarskeho usporiadania. Ak máte v úmysle prenášať, exportovať alebo opätovne exportovať produkty z radu teplocitlivých prístrojov cez hranice medzi rôznymi krajinami, poraďte sa s expertom na legislatívu alebo súlad s predpismi alebo miestnymi úradmi verejnej správy, či existuje povinnosť mať exportné povolenie.



Nr	Opis	Funkcja
1	Przycisk strony głównej	Naciśnij, aby ponownie wyświetlić podgląd na żywo.
2	Przycisk plików	Naciśnij, aby wyświetlić albumy.
3	Przycisk ustawień	Naciśnij, aby wyświetlić ustawienia.
4	Oświetlenie	Oświetlenie wypełniające obiektów i alarm świetlny.
5	Obiektyw termowizyjny	Wyświetlanie obrazu w podczerwieni.
6	Obiektyw optyczny	Wyświetlanie obrazu w świetle widzialnym.



<i>Nr</i>	<i>Opis</i>	<i>Funkcja</i>
7	Przycisk zasilania	Naciśnij i przytrzymaj przycisk, aby włączyć/wyłączyć urządzenie.
8	Przycisk kamery	<ul style="list-style-type: none"> ● Naciśnięcie w trybie podglądu na żywo: wykonanie zdjęć / zatrzymanie nagrywania ● Naciśnięcie w trybie menu: ponowne wyświetlenie podglądu na żywo ● Naciśnięcie i przytrzymanie: rozpoczęcie nagrywania
9	Złącze statywu	Mocowanie statywu.
10	Zaczep paska	Mocowanie paska.
11	Wskaźnik	Sygnalizowanie stanu ładowania baterii urządzenia. <ul style="list-style-type: none"> ● Włączony (czerwony): prawidłowe ładowanie ● Miga (czerwony): błąd ładowania ● Włączony (zielony): bateria całkowicie naładowana

12	Złącze Type-C	Ładowanie baterii urządzenia lub eksportowanie plików przy użyciu przewodu Type-C.
13	Brzęczyk	Alarm dźwiękowy.
14	Mikrofon	Nagrywanie audio.

Pomiar temperatury

Korzystając z wbudowanego detektora podczerwieni i czujnika o wysokiej czułości, można wykonywać pomiary temperatury w zakresie od -20°C do $+400^{\circ}\text{C}$ z dokładnością $\pm 2^{\circ}\text{C}$ lub 2%, gdy temperatura otoczenia wynosi od 15°C do 35°C , a temperatura obiektu jest wyższa niż 0°C .

Menu rozwijane

Korzystając z menu rozwijanego, można dostosować jasność i włączyć funkcje takie jak Wi-Fi, Bluetooth, punkt dostępu, kopia ekranu, oświetlenie, automatyczne obracanie i tryb ciemny/jasny.

Połączenie oprogramowania klienckiego

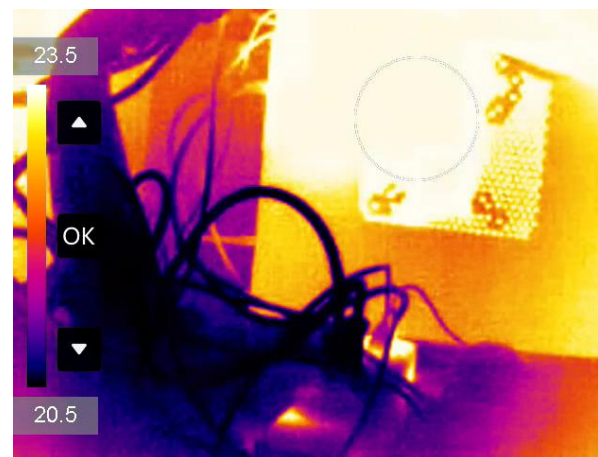
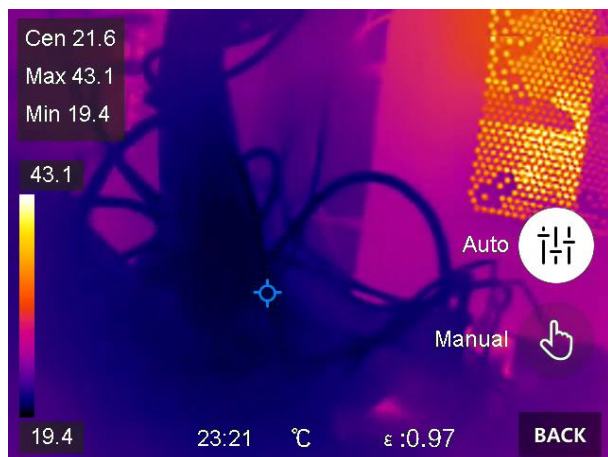
Korzystając z aplikacji HIKMICRO Viewer w telefonie, można wyświetlać podgląd na żywo, wykonywać zdjęcia lub nagrywać wideo. Zeskanuj kody QR podane na okładce, aby pobrać aplikację.

Można pobrać oprogramowanie HIKMICRO Analyzer (<https://www.hikmicrotech.com>) służące do profesjonalnego analizowania zdjęć w trybie offline i generowania raportów w formacie niestandardowym przy użyciu komputera.

Dostosowanie obrazu

Poziom i zakres można dostosować ręcznie lub automatycznie w celu uzyskania odpowiedniego obrazu termowizyjnego ułatwiającego analizę temperatury.

W trybie automatycznym urządzenie dostosowuje zakres temperatury. W trybie regulacji ręcznej można nacisnąć obszar na ekranie lub strzałki po lewej stronie obok ekranu w celu dostosowania wyświetlanego zakresu temperatury.



Uwaga: Kamera okresowo automatycznie wykonuje kalibrację, aby zoptymalizować jakość obrazu i dokładność pomiarów. W tym procesie obraz jest na chwilę wstrzymywany i emitowany jest dźwięk kliknięcia sygnalizujący przesunięcie migawki przed detektorem. Monit „Kalibrowanie” jest wyświetlany w centrum górnej części ekranu podczas automatycznego kalibrowania urządzenia. Automatyczna kalibracja jest wykonywana częściej podczas rozruchu albo przy bardzo niskiej lub bardzo wysokiej temperaturze otoczenia. Jest to standardowa procedura zapewniająca optymalne funkcjonowanie kamery.

Podręcznik użytkownika

Aby uzyskać informacje dotyczące obsługi urządzenia, zeskanuj kod QR i pobierz podręcznik użytkownika.



Informacje prawne

© 2022 Hangzhou Microimage Software Co., Ltd. Wszelkie prawa

zastrzeżone.

Opis podręcznika

Podręcznik zawiera instrukcje dotyczące korzystania z produktu i obchodzenia się z nim. Zdjęcia, rysunki, wykresy i pozostałe informacje zamieszczono w tym dokumencie wyłącznie dla celów informacyjnych i opisowych. Informacje zamieszczone w podręczniku mogą ulec zmianie bez powiadomienia w związku z aktualizacjami oprogramowania układowego lub w innych okolicznościach. Najnowsza wersja tego podręcznika jest dostępna w witrynie internetowej firmy HIKMICRO (www.hikmicrotech.com). Oprócz tego podręcznika należy korzystać z porad specjalistów z działu pomocy technicznej związanej z produktem.

Znaki towarowe

 HIKMICRO i inne znaki towarowe oraz logo HIKMICRO

są własnością firmy HIKMICRO w różnych jurysdykcjach. Inne znaki towarowe i logo użyte w podręczniku należą do odpowiednich właścicieli.


ZASTRZEŻENIA PRAWNE

W PEŁNYM ZAKRESIE DOZWOLONYM PRZEZ OBOWIĄZUJĄCE PRAWO TEN PODRĘCZNIK, OPISANY PRODUKT I ZWIĄZANE Z NIM WYPOSAŻENIE ORAZ OPROGRAMOWANIE APLIKACYJNE I UKŁADOWE SĄ UDOSTĘPNIANE BEZ GWARANCJI. FIRMA HIKMICRO NIE UDZIELA ŻADNYCH WYRAŻNYCH ANI DOROZUMIANYCH GWARANCJI, TAKICH JAK GWARANCJE DOTYCZĄCE PRZYDATNOŚCI HANDLOWEJ, JAKOŚCI LUB PRZYDATNOŚCI DO OKREŚLONEGO CELU. UŻYTKOWNIK KORZYSTA Z PRODUKTU NA WŁASNE RYZYKO. NIEZALEŻNIE OD OKOLICZNOŚCI FIRMA HIKMICRO NIE PONOSI ODPOWIEDZIALNOŚCI ZA STRATY SPECJALNE, NASTĘPCZE, UBOCZNE LUB POŚREDNIE, TAKIE JAK STRATA OCZEKIWANYCH ZYSKÓW Z DZIAŁALNOŚCI BIZNESOWEJ, PRZERWY W DZIAŁALNOŚCI BIZNESOWEJ, USZKODZENIE SYSTEMÓW ALBO STRATA DANYCH LUB DOKUMENTACJI, WYNIKAJĄCE Z NARUSZENIA UMOWY, PRZEWINIENIA (ŁĄCZNIE Z ZANIEDBANIEM), ODPOWIEDZIALNOŚCI ZA PRODUKT LUB INNYCH OKOLICZNOŚCI, ZWIĄZANE Z UŻYCIEM TEGO PRODUKTU, NAWET JEŻELI FIRMA HIKMICRO ZOSTAŁA POINFORMOWANA O MOŻLIWOŚCI WYSTĄPIENIA TAKICH SZKÓD LUB STRAT. UŻYTKOWNIK PRZYJMUJE DO WIADOMOŚCI, ŻE KORZYSTANIE Z INTERNETU JEST ZWIĄZANE Z ZAGROŻENIAMI DLA BEZPIECZEŃSTWA, A FIRMA HIKMICRO NIE PONOSI ODPOWIEDZIALNOŚCI ZA NIEPRAWIDŁOWE FUNKCJONOWANIE, WYCIEK POUFNYCH INFORMACJI LUB INNE SZKODY WYNIKAJĄCE Z ATAKU CYBERNETYCZNEGO, ATAKU HAKERA, DZIAŁANIA WIRUSÓW LUB INNYCH ZAGROŻEŃ DLA BEZPIECZEŃSTWA W INTERNECIE. FIRMA HIKMICRO ZAPEWNI JEDNAK TERMINOWĄ POMOC TECHNICZNĄ, JEŻELI BĘDZIE TO WYMAGANE. UŻYTKOWNIK ZOBOWIĄZUJE SIĘ DO KORZYSTANIA Z PRODUKTU ZGODNIE Z PRZEPISAMI I PRZYJMUJE DO WIADOMOŚCI, ŻE JEST ZOBOWIĄZANY DO ZAPEWNIENIA ZGODNOŚCI UŻYCIA PRODUKTU Z PRZEPISAMI. W SZCZEGÓLNOŚCI UŻYTKOWNIK JEST ZOBOWIĄZANY DO KORZYSTANIA Z PRODUKTU W SPOSÓB, KTÓRY NIE NARUSZA PRAW STRON TRZECICH, DOTYCZĄCYCH NA PRZYKŁAD WIZERUNKU KOMERCYJNEGO, WŁASNOŚCI INTELEKTUALNEJ LUB OCHRONY DANYCH I PRYWATNOŚCI. UŻYTKOWNIK NIE BĘDZIE UŻYWAĆ PRODUKTU DO CELÓW ZABRONIONYCH, TAKICH JAK OPRACOWANIE

LUB PRODUKCJA BRONI MASOWEGO RAŻENIA ALBO BRONI CHEMICZNEJ LUB BIOLOGICZNEJ ORAZ DZIAŁANIA ZWIĄZANE Z WYBUCHOWYMI MATERIAŁAMI NUKLEARNYMI, NIEBEZPIECZNYM CYKLEM PALIWOWYM LUB ŁAMANIEM PRAW CZŁOWIEKA. W PRZYPADKU NIEZGODNOŚCI NINIEJSZEGO PODRĘCZNIKA Z OBOWIĄZUJĄCYM PRAWEM, WYŻSZY PRIORYTET BĘDZIE MIAŁO OBOWIĄZUJĄCE PRAWO.

Informacje dotyczące przepisów

Deklaracja zgodności z dyrektywami Unii Europejskiej

 Produkt i ewentualnie dostarczone razem z nim akcesoria oznaczono symbolem „CE” potwierdzającym zgodność z odpowiednimi ujednoliconymi normami europejskimi, uwzględnionymi w dyrektywie 2014/30/EU dotyczącej kompatybilności elektromagnetycznej (EMCD), dyrektywie niskonapięciowej (LVD) 2014/35/EU oraz dyrektywie 2011/65/EU w sprawie ograniczenia stosowania niektórych niebezpiecznych substancji w sprzęcie elektrycznym (RoHS).

Ograniczenia w pasmie 5 GHz:

Zgodnie z artykułem 10 dyrektywy 2014/53/EU to urządzenie może być używane wyłącznie w budynkach, gdy korzysta z zakresu częstotliwości 5150 – 5350 MHz w następujących krajach: Austria (AT), Belgia (BE), Bułgaria (BG), Chorwacja (HR), Cypr (CY), Czechy (CZ), Dania (DK), Estonia (EE), Finlandia (FI), Francja (FR), Grecja (EL), Hiszpania (ES), Holandia (NL), Irlandia (IE), Irlandia Północna (UK(NI)), Islandia (IS), Liechtenstein (LI), Litwa (LT), Luksemburg (LU), Łotwa (LV), Malta (MT), Niemcy (DE), Norwegia (NO), Polska (PL), Portugalia (PT), Rumunia (RO), Słowacja (SK), Słowenia (SI), Szwajcaria (CH), Szwecja (SE), Turcja (TR), Węgry (HU) i Włochy (IT).

Pasma częstotliwości i dopuszczalne wartości graniczne znamionowej mocy promieniowanej (transmisja i/lub przewodzenie) tego urządzenia radiowego są następujące:

Wi-Fi: 2,4 GHz (2,4 – 2,4835 GHz): 20 dBm; 5 GHz (5,15 – 5,25 GHz): 23 dBm; 5 GHz (5,25 – 5,35 GHz): 23 dBm; 5 GHz (5,470 – 5,725 GHz): 23 dBm; 5 GHz (5,725 – 5,850 GHz): 14 dBm

Bluetooth: 2,4 GHz (2,4 – 2,4835 GHz): 20 dBm

Należy korzystać z zasilacza dostarczonego przez wykwalifikowanego producenta. Aby uzyskać więcej informacji dotyczących wymaganego

zasilania, należy skorzystać ze specyfikacji produktu.

Należy korzystać z baterii dostarczanych przez markowego producenta. Aby uzyskać więcej informacji dotyczących wymaganej baterii, należy skorzystać ze specyfikacji produktu.



Dyrektywa 2012/19/EU w sprawie zużytego sprzętu elektrycznego i elektronicznego (WEEE):

Produktów oznaczonych tym symbolem nie wolno utylizować na obszarze Unii Europejskiej jako niesegregowane odpady komunalne. Aby zapewnić prawidłowy recykling tego produktu, należy zwrócić go do lokalnego dostawcy przy zakupie równoważnego nowego urządzenia lub utylizować go w wyznaczonym punkcie selektywnej zbiórki odpadów. Aby uzyskać więcej informacji, skorzystaj z witryny internetowej www.recyclethis.info.



Dyrektywa 2006/66/EC w sprawie baterii i akumulatorów i zmieniająca ją dyrektywa 2013/56/EU: Ten produkt zawiera baterię, której nie wolno utylizować na obszarze Unii Europejskiej jako niesegregowane odpady komunalne.

Szczegółowe informacje dotyczące baterii zamieszczono w dokumentacji produktu. Bateria jest oznaczona tym symbolem, który może także zawierać litery wskazujące na zawartość kadmu (Cd), ołowiu (Pb) lub rtęci (Hg). Aby zapewnić prawidłowy recykling baterii, należy zwrócić ją do dostawcy lub przekazać do wyznaczonego punktu zbiórki. Aby uzyskać więcej informacji, skorzystaj z witryny internetowej www.recyclethis.info.

Zalecenia dotyczące bezpieczeństwa

Te zalecenia pozwalają prawidłowo korzystać z produktu i zapobiec zagrożeniu użytkowników lub zniszczeniu wyposażenia.

Przepisy i rozporządzenia

- Produkt powinien być użytkowany zgodnie z lokalnymi rozporządzeniami dotyczącymi bezpiecznego korzystania z urządzeń elektrycznych.

Transport

- Podczas transportu urządzenie powinno być umieszczone w oryginalnym lub podobnym opakowaniu.
- Należy zachować opakowanie urządzenia. W przypadku wystąpienia usterki urządzenia należy zwrócić je do zakładu produkcyjnego w oryginalnym opakowaniu. Producent nie ponosi odpowiedzialności za uszkodzenie urządzenia na skutek transportu

bez oryginalnego opakowania.

- Należy chronić urządzenie przed upadkiem lub uderzeniami mechanicznymi. Należy chronić urządzenie przed zakłóceniami magnetycznymi.

Zasilanie

- Napięcie wejściowe powinno spełniać wymagania dotyczące źródeł zasilania z własnym ograniczeniem (LPS; 3,85 V DC; 570 mA) zgodnie z normą IEC62368. Szczegółowe informacje zamieszczono w sekcji zawierającej dane techniczne.
- Należy upewnić się, że wtyczka jest prawidłowo podłączona do gniazda sieci elektrycznej.
- NIE wolno podłączać wielu urządzeń do jednego zasilacza, ponieważ może to spowodować przegrzanie lub zagrożenie pożarowe na skutek przeciążenia.
- Należy korzystać z zasilacza dostarczonego przez wykwalifikowanego producenta. Aby uzyskać więcej informacji dotyczących wymaganego zasilania, należy skorzystać ze specyfikacji produktu.

Bateria

- Przed pierwszym użyciem urządzenia należy ładować jego baterię przez ponad trzy godziny.
- Nieprawidłowe użycie lub wymiana baterii może spowodować wybuch. Baterie należy wymieniać tylko na baterie tego samego typu lub ich odpowiedniki. Zużyte baterie należy utylizować zgodnie z zaleceniami producenta.
- Wbudowana bateria nie jest przystosowana do demontażu przez użytkownika. Jeżeli konieczne jest wykonanie naprawy, należy skontaktować się z producentem.
- NIE wolno ładować baterii innego typu przy użyciu ładowarki dostarczonej razem z urządzeniem. Należy upewnić się, że żadne palne materiały nie znajdują się w promieniu dwóch metrów od ładowarki podczas ładowania.
- Jeżeli bateria jest przechowywana przez dłuższy czas, należy naładować ją całkowicie co pół roku, aby zapewnić jej prawidłowy stan techniczny. Ignorowanie tego zalecenia może spowodować uszkodzenie.
- Należy korzystać z baterii dostarczanych przez markowego producenta. Aby uzyskać więcej informacji dotyczących wymaganej baterii, należy skorzystać ze specyfikacji produktu.
- NIE wolno umieszczać baterii w pobliżu źródeł ciepła lub ognia.

Należy chronić urządzenie przed bezpośrednim światłem słonecznym.

- NIE wolno połykać baterii, ponieważ może to spowodować oparzenia chemiczne.
- NIE wolno umieszczać baterii w miejscu dostępnym dla dzieci.
- Gdy zasilanie urządzenia jest wyłączone, a bateria zegara RTC jest całkowicie naładowana, ustawienia zegara są przechowywane przez sześć miesięcy.
- Przed pierwszym użyciem urządzenia należy wyłączyć zasilanie i ładować baterię przez ponad 2,5 godziny.
- Urządzenie jest zasilane baterią o napięciu znamionowym 3,85 V i pojemności 2100 mAh.
- Bateria uzyskała certyfikat UL2054.

Konserwacja

- Jeżeli produkt nie działa prawidłowo, skontaktuj się z dystrybutorem lub najbliższym centrum serwisowym. Producent nie ponosi odpowiedzialności za problemy spowodowane przez nieautoryzowane prace naprawcze lub konserwacyjne.
- Konieczna jest regularna wymiana kilku podzespołów urządzenia (np. kondensatora elektrolitycznego). Przeciętny okres użytkowania może być różny, dlatego zalecane jest regularne sprawdzanie stanu technicznego podzespołów. Aby uzyskać więcej informacji, należy skontaktować się z dystrybutorem.
- Należy przetrzeć urządzenie ostrożnie czystą ściereczką zwilżoną niewielką ilością etanolu, jeżeli jest to konieczne.
- Użycie urządzenia niezgodnie z zaleceniami może spowodować anulowanie gwarancji producenta.

Usługa kalibracji

- Zalecane jest przesyłanie urządzenia do producenta co rok w celu kalibracji i skontaktowanie się z lokalnym dystrybutorem w celu uzyskania informacji dotyczących elementów urządzenia wymagających konserwacji. Aby uzyskać szczegółowe informacje dotyczące usług kalibracji, skorzystaj z witryny internetowej <https://www.hikmicrotech.com/en/calibrationservices/2>.

Warunki otoczenia

- NIE wolno narażać urządzenia na ekstremalnie wysokie lub niskie temperatury, kurz, substancje korozyjne, roztwory soli, zasady lub wilgoć. Należy upewnić się, że warunki otoczenia spełniają wymagania określone przez producenta urządzenia.

Podczas użytkowania urządzenia temperatura otoczenia powinna wynosić od -10°C do $+50^{\circ}\text{C}$, a wilgotność powietrza nie powinna być większa niż 95%.

- To urządzenie może być bezpiecznie użytkowane tylko na wysokości poniżej 2000 metrów nad poziomem morza.
- Urządzenie należy umieścić w suchym i odpowiednio wentylowanym miejscu.
- Należy chronić urządzenie przed silnym promieniowaniem elektromagnetycznym oraz kurzem i pyłem.
- NIE wolno kierować obiektywem w stronę słońca ani innego źródła intensywnego światła.
- Jeżeli używane jest wyposażenie laserowe, należy upewnić się, że obiektyw urządzenia nie jest oświetlany przez wiązkę lasera, ponieważ może to spowodować jego spalanie.
- Urządzenie jest przeznaczone do użytku w budynkach lub na zewnątrz budynków, ale powinno być chronione przed wilgocią.
- Stopień ochrony IP 54.
- Stopień zanieczyszczenia środowiska 2.

Pomoc techniczna

- Portal <https://www.hikmicrotech.com> ułatwia klientom firmy HIKMICRO optymalne korzystanie z produktów HIKMICRO. Ten portal zapewnia dostęp, między innymi, do naszego zespołu pomocy technicznej, oprogramowania, dokumentacji i usług.

Poważne awarie

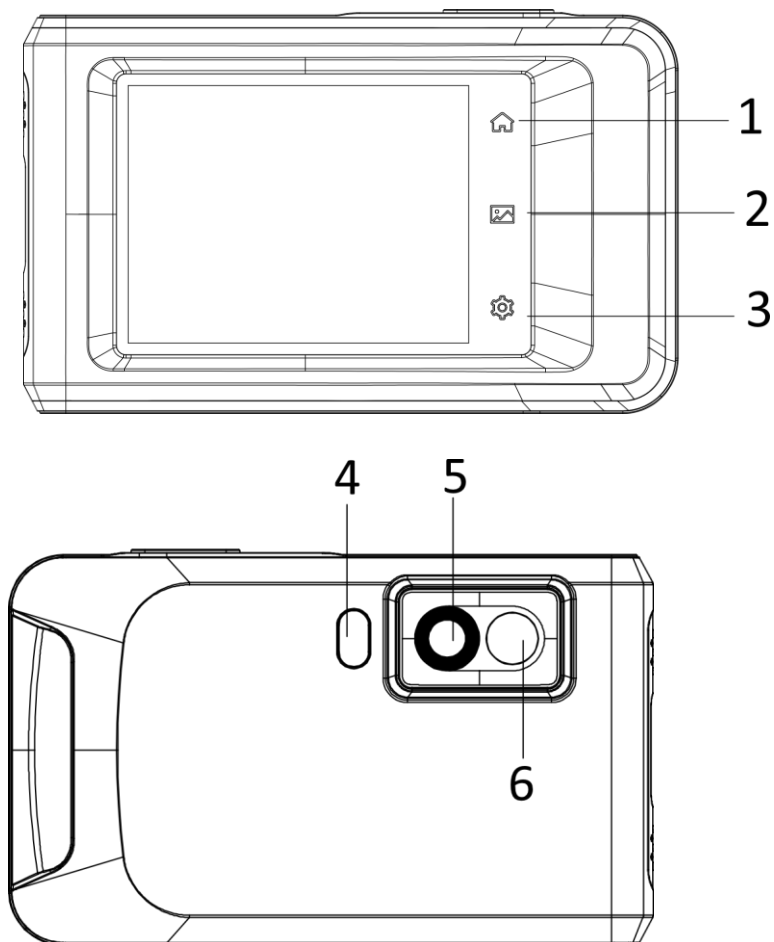
- Jeżeli urządzenie wydziela dym lub intensywny zapach albo emituje hałas, należy niezwłocznie wyłączyć zasilanie i odłączyć przewód zasilający, a następnie skontaktować się z centrum serwisowym.

Adres producenta

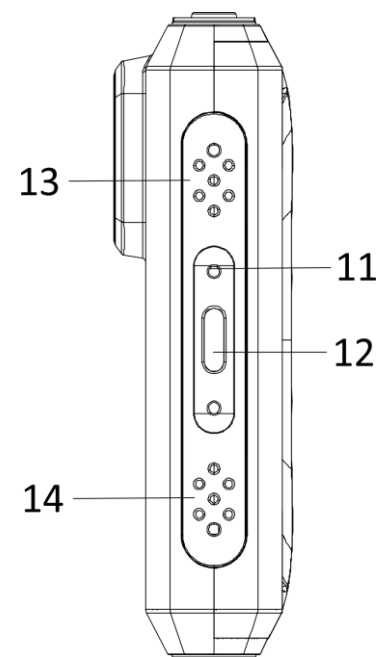
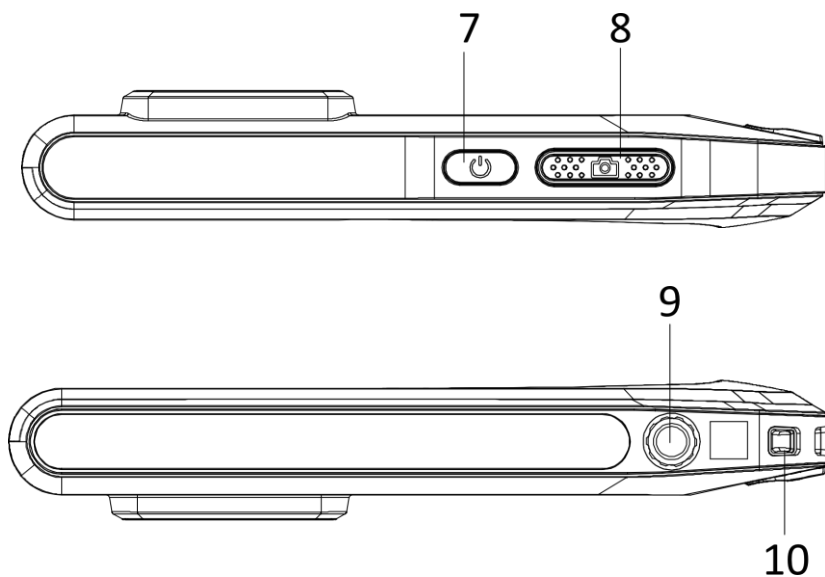
Lokal 313, Jednostka B, Budynek 2, Ulica 399 Danfeng, Region dystryktu Xixing, Dystrykt Binjiang, Hangzhou, Zhejiang 310052, Chiny Hangzhou Microimage Software Co., Ltd.

UWAGA DOTYCZĄCA ZGODNOŚCI Z PRZEPISAMI:

Produkty termowizyjne mogą podlegać kontroli eksportu w różnych krajach lub regionach, takich jak Stany Zjednoczone, Wielka Brytania lub kraje członkowskie Unii Europejskiej, które sygnowały porozumienie Wassenaar. Jeżeli planowane jest przesyłanie, eksportowanie lub reeksportowanie produktów termowizyjnych przez granice państw, należy skonsultować się z ekspertem w dziedzinie



Sz.	Leírás	Funkció
1	Kezdőlap gomb	Érintse meg az élőkép felületre való visszalépéshez.
2	Fájl gomb	Megérintésével megnyithatja az albumokat.
3	Beállítások gomb	Megérintésével beléphet a beállítások felületére.
4	Vaku	Megvilágíthatja a céltárgyakat, ugyanakkor riasztás esetén villogással jelez.
5	Hőérzékelő lencse	Hőkép megtekintése.
6	Optikai lencse	Optikai kép megtekintése.



Sz.	Leírás	Funkció
7	Indítógomb	Tartsa lenyomva a gombot a készülék be-/kikapcsolásához.
8	Rögzítés gomb	<ul style="list-style-type: none"> ● Megnyomás élő nézetben: pillanatfelvételek készítése/felvétel leállítása ● Megnyomás menü módban: visszalépés az élőkép felületre ● Gomb nyomva tartása: elindítja a rögzítést
9	Háromlábú állvány felszerelése	Szerelje fel a háromlábú állványt.
10	Szíj rögzítési pontja	Ide rögzítheti a hordozószíjat.
11	Működésjelző	<p>A készülék töltési állapotának kijelzése.</p> <ul style="list-style-type: none"> ● Folytonos vörös: normál töltés ● Villogó vörös: töltési kivétel ● Folyamatos zöld: teljesen feltöltve

12	C típusú csatlakozó	A készülék töltésére, illetve fájlok exportálására használható, C-típusú kábellet.
13	Hangjelző	Riasztási hangjelzést ad le.
14	Mikrofon	Hangfelvétel.

Hőmérsékletmérés

A beépített nagy érzékenységű és csúcsteljesítményű infravörös érzékelőnek köszönhetően a hőmérséklet-mérési tartománya -20 °C és 400 °C (-4 °F és 752 °F) közötti ± 2 °C (3,6 °F) vagy $\pm 2\%$ pontossággal, ha a környezeti hőmérséklet 15 °C és 35 °C (59 °F és 95 °F) közötti, és a tárgy hőmérséklete 0 °C (32 °F) felett van.

Legördülő menü

A legördülő menüben beállítható a fényerő, továbbá olyan funkciók kapcsolhatók be, mint például a Wi-Fi, a Bluetooth, a Hotspot, a képernyőátküldés, a zseblámpa, az automatikus elforgatás vagy a sötét/világos mód.

Kapcsolat a kliens szoftverrel

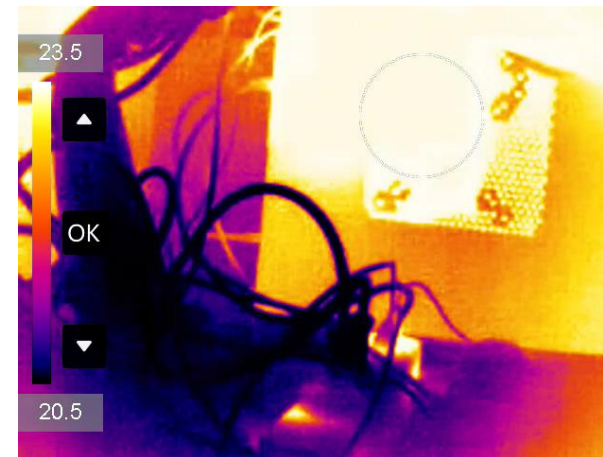
A HIKMICRO Viewer alkalmazással megtekinthető telefonon az élőképek és videók rögzíthetők. Az alkalmazás letöltéséhez olvassa be a fedőlapon található QR-kódot.

Letölthető a HIKMICRO Analyzer (<https://www.hikmicrotech.com>) alkalmazás is, amely segítségével szakszerűen elemezheti a képeket offline, továbbá egyedi jelentést készíthet a számítógépén.

Képbeállítás

A szint és az átívelés manuálisan és automatikusan egyaránt vezérelhető a megfelelő hőhatás eléréséhez, így jobb hőmérsékletkülönbség-elemzés valósítható meg.

Automatikus módban a készülék automatikusan állítja be a hőmérséklet-tartomány paramétereit. Manuális módban a megjelenítendő hőmérséklet-tartomány beállításához érintse meg a kívánt területet a képernyőn, vagy használja a képernyő bal oldalán található nyilakat.



Megjegyzés: A kamera rendszeresen önkalibrálást végez a képminőség és a mérési pontosság optimalizálása érdekében. A folyamat során a kép rövid időre megmerevedik, és egy „kattanás” hallható, miközben a zárszerkezet elmozdul az érzékelő előtt. A „Kalibrálás folyamatban ...” rendszerüzenet a képernyő közepén jelenik meg, amikor a készülék önkalibrálást végez. Az önkalibrálás gyakrabban előfordul indítás során, illetve nagyon hideg vagy nagyon meleg környezetben. Ez a normális működés része, amely biztosítja a kamera optimális teljesítményét.

Felhasználói kézikönyv

A részletes használati útmutató tanulmányozásához olvassa be a QR-kódot vagy töltsse le a felhasználói kézikönyvet.



Jogi információk


©2022 Hangzhou Microimage Software Co., Ltd. Minden jog fenntartva.

A Kézikönyvvel kapcsolatos tudnivalók

Az útmutató a termék használatára és kezelésére vonatkozó utasításokat tartalmaz. Az itt szereplő képek, diagramok, ábrák és minden további információ csupán leírásként és magyarázatként szolgál. A Kézikönyvben szereplő információk a firmware-frissítések és egyéb okok miatt előzetes értesítés nélkül változhatnak. A kézikönyv legújabb verzióját a HIKMICRO webhelyén találja (www.hikmicrotech.com/).

Az Útmutatót a termékkel kapcsolatos támogatáshoz megfelelő képesítéssel rendelkező szakemberek támogatásával és útmutatásával együtt használja.

Védjegnyilatkozat

 **HIKMICRO** és az egyéb HIKMICRO védjegyek, valamint logók a HIKMICRO tulajdonát képezik különféle joghatóságokban. Az említett egyéb védjegyek és logók a megfelelő tulajdonosok tulajdonát képezik.

JOGI NYILATKOZAT

EZT A KÉZIKÖNYVET, VALAMINT A BENNE SZEREPLŐ TERMÉKET ANNAK HARDVER-, SZOFTVER-ÖSSZETEVŐIVEL ÉS FIRMWARE-ÉVEL EGYÜTT „EREDETI FORMÁBAN” BIZTOSÍTJUK, „BELEÉRTVE AZOK ÖSSZES ESETLEGES HIBÁJÁT”. A HIKMICRO NEM VÁLLAL SEM KIFEJEZETT, SEM TÖRVÉNY ÁLTAL VÉLELMEZETT JÓTÁLLÁST TÖBBEK KÖZÖTT – DE NEM KORLÁTOZVA – A TERMÉK ÉRTÉKESÍTHETŐSÉGÉRE, MEGFELELŐ MINŐSÉGÉRE, VALAMINT ADOTT CÉLRA VALÓ ALKALMASSÁGÁRA. A TERMÉKET KIZÁRÓLAG SAJÁT FELELŐSSÉGÉRE HASZNÁLHATJA. A HIKMICRO SEMMILYEN ESETBEN SEM VÁLLAL FELELŐSSÉGET ÖN FELÉ SEMMILYEN KÜLÖNLEGES, KÖVETKEZMÉNYES, JÁRULÉKOS VAGY KÖZVETETT KÁRÉRT, BELEÉRTVE TÖBBEK KÖZÖTT A TERMÉK HASZNÁLATÁVAL ÖSSZEFÜGGÉSBEN AZ ÜZLETI HASZON ELVESZTÉSÉBŐL, AZ ÜZLETMENET MEGSZAKADÁSÁBÓL, VALAMINT AZ ADATOK VAGY DOKUMENTUMOK ELVESZTÉSÉBŐL EREDŐ KÁROKAT, TÖRTÉNJEN EZ SZERZŐDÉSSZEGÉS VAGY KÁROKOZÁS (BELEÉRTVE A GONDATLANSÁGOT) EREDMÉNYEKÉNT, MÉG AKKOR SEM, HA A HIKMICRO VÁLLALATOT TÁJÉKOZTATTÁK AZ ILYEN KÁROK BEKÖVETKEZÉSÉNEK LEHETŐSÉGÉRŐL.

ÖN TUDOMÁSUL VESZI, HOGY AZ INTERNET TERMÉSZETÉBŐL FAKADÓAN KOCKÁZATOKAT REJT, ÉS A HIKMICRO SEMMILYEN FELELŐSSÉGET NEM VÁLLAL A RENDELLENES MŰKÖDÉSÉRT, A SZEMÉLYES ADATOK KISZIVÁRGÁSÁÉRT VAGY MÁS OLYAN KÁROKÉRT, AMELYEKET KIBERTÁMADÁSOK, HACKERTÁMADÁSOK, VÍRUSFERTŐZÉSEK VAGY MÁS INTERNETES BIZTONSÁGI VESZÉLYEK OKOZTAK; A HIKMICRO AZONBAN KÉRÉSRE IDŐBEN MŰSZAKI TÁMOGATÁST NYÚJT.


ÖN ELFOGADJA, HOGY EZT A TERMÉKET KIZÁRÓLAG A VONATKOZÓ TÖRVÉNYI ELŐÍRÁSOK BETARTÁSÁVAL HASZNÁLJA, ÉS HOGY A VONATKOZÓ TÖRVÉNYEKNEK MEGFELELŐ HASZNÁLAT KIZÁRÓLAG AZ ÖN FELELŐSSÉGE. KÜLÖNÖSKÉPPEN AZ ÖN FELELŐSSÉGE, HOGY A TERMÉK HASZNÁLATA SORÁN NE SÉRTSE HARMADIK FÉL JOGAIT, BELEÉRTVE, DE NEM KORLÁTOZVA A NYILVÁNOSSÁGRA, SZELLEMI TULAJDONRA, ADATOK VÉDELMERE ÉS EGYÉB SZEMÉLYES ADATOKRA VONATKOZÓ JOGOKAT. A TERMÉKET NEM HASZNÁLHATJA TILTOTT

CÉLRA, BELEÉRTVE A TÖMEGPUSZTÍTÓ FEGYVEREK FEJLESZTÉSÉT VAGY GYÁRTÁSÁT, A VEGYI VAGY BIOLÓGIAI FEGYVEREK FEJLESZTÉSÉT VAGY GYÁRTÁSÁT, VALAMINT BÁRMILYEN, ROBBANÁSVESZÉLYES VAGY NEM BIZTONSÁGOS NUKLEÁRIS HASADÓANYAG-CIKLUSSAL KAPCSOLATOS TEVÉKENYSÉGET, ILLETVE EMBERI JOGI VISSZAÉLÉSEKET TÁMOGATÓ MÓDON TÖRTÉNŐ FELHASZNÁLÁST.

HA A JELEN KÉZIKÖNYV ÉS A HATÁLYOS TÖRVÉNY KÖZÖTT ELLENTMONDÁS TAPASZTALHATÓ, AKKOR AZ UTÓBBI A MÉRVADÓ.

Szabályozással kapcsolatos információk

EU megfelelési nyilatkozat

 Ezt a terméket és - ha alkalmazható - a mellékelt tartozékokat is „CE” -jelöléssel látták el, ezért azok megfelelnek a 2014/30/EU elektromágneses összeférhetőségről szóló (EMCD-) irányelvben, a 2014/35/EU kiefeszültségű berendezésekről szóló (LVD-) irányelvben és a 2011/65/EU RoHS-irányelvben felsorolt alkalmazandó harmonizált európai szabványok követelményeinek.

Korlátozások az 5 GHz-es sávban:

A 2014/53/EU irányelv 10 (10) cikkelyének megfelelően, ha a készüléket az 5150 MHz-től 5350 MHz-ig terjedő tartományban használja, a beltéri használat a következő országokban tilos: Ausztria (AT), Belgium (BE), Bulgária (BG), Horvátország (HR), Ciprus (CY), Cseh köztársaság (CZ), Dánia (DK), Észtország (EE), Finnország (FI), Franciaország (FR), Németország (DE), Görögország (EL), Magyarország (HU), Izland (IS), Írország (IE), Olaszország (IT), Lettország (LV), Liechtenstein (LI), Litvánia (LT), Luxemburg (LU), Málta (MT), Hollandia (NL), Észak-Írország (UK(NI)), Norvégia (NO), Lengyelország (PL), Portugália (PT), Románia (RO), Szlovákia (SK), Szlovénia (SI), Spanyolország (ES), Svédország (SE), Svájc (CH) és Törökország (TR).

Az ezen rádióberendezésre érvényes frekvenciasávok és a leadott teljesítmény (sugárzott és/vagy vezetett) névleges határértékei az alábbiak:

Wi-Fi: 2,4 GHz (2,4 GHz–2,4835 GHz): 20 dBm; 5 GHz (5,15 GHz–5,25 GHz): 23 dBm; 5 GHz (5,25 GHz–5,35 GHz): 23 dBm; 5 GHz (5,47 GHz–5,725GHz): 23 dBm; 5 GHz (5,725 GHz–5,85 GHz): 14 dBm

Bluetooth: 2,4 GHz (2,4 GHz–2,4835 GHz): 20 dBm

Csak minősített gyártó által készített tápadaptert használjon. A tápellátással szembeni részletes követelmények a termék műszaki

adataiban vannak feltüntetve.

Csak minősített gyártó által készített elemet használjon. Az akkumulátorral szembeni részletes követelmények a termék műszaki adataiban vannak feltüntetve.



2012/19/EU irányelv (WEEE irányelv): Az ezzel a jelzéssel ellátott termékeket nem lehet szelektálatlan kommunális hulladékként elhelyezni az Európai Unióban. A megfelelő újrahasznosítás érdekében vigye vissza ezt a terméket helyi beszállítójához, amikor új, egyenértékű berendezést vásárol, vagy adja le a kijelölt gyűjtőhelyeken. További információért keresse fel az alábbi honlapot: www.recyclethis.info



2006/66/EK irányelv és annak 2013/56/EU kiegészítése (akkumulátor-irányelv): Ez a termék olyan elemet tartalmaz, amelyet nem lehet szelektálatlan kommunális hulladékként elhelyezni az Európai Unióban. A termékdokumentációban további információkat talál az elemről. Az elem ezzel a jelzéssel van ellátva. A jelzésen megtalálhatók lehetnek a kadmiumot (Cd), ólmot (Pb) vagy higanyt (Hg) jelző betűjelek. A megfelelő újrahasznosítás érdekében vigye vissza ezt a terméket a beszállítójához, vagy vigye egy kijelölt gyűjtőhelyre. További információért keresse fel az alábbi honlapot: www.recyclethis.info.

Biztonsági utasítások

Ezen utasítások célja annak biztosítása, hogy a felhasználó a terméket megfelelően tudja használni veszély vagy vagyoni veszteség elkerülése érdekében.

Törvények és szabályok

- A termék használatakor szigorúan be kell tartani a helyi elektromos biztonsági előírásokat.

Szállítás

- Szállítás alkalmával tartsa a terméket az eredeti vagy ahhoz hasonló csomagolásban.
- Minden csomagolóanyagot őrizzen meg a későbbi felhasználás érdekében. Hiba esetén az eredeti csomagolásában kell a készüléket visszaküldenie a gyártónak. Az eredeti csomagolástól eltérő csomagolás a termék sérülését okozhatja. A vállalat ez esetben nem vállal semmilyen felelősséget.
- Ne ejtse le és ne tegye ki ütődésnek a készüléket. Tartsa távol a készüléket a mágneses zavarforrásoktól.

Tápellátás

- A bemeneti feszültségnek meg kell felelnie az IEC62368 szabvány szerinti korlátozott áramforrásra (3,85 V DC, 570 mA) vonatkozó előírásoknak. A részletes információkért olvassa el a műszaki adatokat.
- Ellenőrizze, hogy a tápcsatlakozó stabilan van-e csatlakoztatva a konnektorhoz.
- NE csatlakoztasson több készüléket egy hálózati adapterre, hogy elkerülje a túlterhelés okozta túlmelegedést vagy tűzveszélyt.
- Csak minősített gyártó által készített tápadaptert használjon. A tápellátással szembeni részletes követelmények a termék műszaki adataiban vannak feltüntetve.

Akkumulátor

- Kérjük, az első használat előtt töltsen a készüléket legalább 3 órán át.
- Nem megfelelő akkumulátorok használata vagy cseréje robbanásveszélyt okozhat. Csak azonos, vagy egyenértékű típusra cserélje. Az elhasznált akkumulátorok hulladékkezelését az akkumulátor gyártójának útmutatása szerint végezze.
- A beépített akkumulátor nem vehető ki. Kérjük, forduljon a gyártóhoz, ha javítás szükséges.
- Az akkumulátorokat csak az eszközhöz mellékelt töltővel töltsen. Ügyeljen arra, hogy töltés közben az akkumulátortöltő 2 méteres körzetén belül ne legyenek éghető anyagok.
- Az akkumulátor hosszú távú tárolásakor az akkumulátor minőségének biztosítása érdekében ellenőrizze fél évente, hogy az teljesen fel van-e töltve. Ellenkező esetben rongálódás következhet be.
- Csak minősített gyártó által készített elemet használjon. Az akkumulátorral szembeni részletes követelmények a termék műszaki adataiban vannak feltüntetve.
- NE helyezze az akkumulátort hőforrás vagy nyílt láng közelébe. Óvja a közvetlen napsütéstől.
- NE nyelje le az akkumulátort, hogy elkerülje a vegyi égési sérüléseket.
- Tartsa az akkumulátort gyermekektől TÁVOL.
- Ha a készülék ki van kapcsolva és a RTC akkumulátor teljesen fel van töltve, az időbeállítások 6 hónapig megőrizhetők.
- Első alkalommal töltsen a készüléket több mint 2,5 órán át, kikapcsolt állapotban.
- A akkumulátor feszültsége 3,85 V, az akkumulátor kapacitása pedig

2100 mAh.

- Az akkumulátor UL2054 tanúsítvánnyal rendelkezik.

Karbantartás

- Ha a termék nem működik megfelelően, forduljon a kereskedőjéhez vagy a legközelebbi szervizközponthoz. Nem vállalunk felelősséget az illetéktelen javításból vagy karbantartásból eredő károkért.
- A készülék néhány alkatrésze (pl. elektrolit kondenzátor) rendszeres cserét igényel. Ezek átlagos élettartama változó, ezért rendszeres ellenőrzés ajánlott. Részletekért forduljon a forgalmazóhoz.
- Törölje le a készüléket egy tiszta ruhával és kis mennyiségű etanollal, ha szükséges.
- Ha a készüléket nem a gyártó által meghatározott módon használja, a védelem szintje csökkenhet.

Kalibrációs szolgáltatás

- Javasoljuk, hogy évente egyszer küldje vissza a készüléket kalibrálás céljából, és kérjük, vegye fel a kapcsolatot a helyi forgalmazóval a karbantartási lépésekre vonatkozó további információk érdekében. Részletesebb kalibrálási szolgáltatásokért tanulmányozza a <https://www.hikmicrotech.com/en/calibrationservices/2> weboldalt.

Használati környezet

- NE tegye ki a készüléket szélsőségesen forró, hideg, poros, korrozív, sós, lúgos vagy nedves környezet hatásának. Győződjön meg arról, hogy a használati környezet megfelel a készülék előírásainak. A megfelelő üzemelési hőmérséklet-tartomány -10 °C - 50 °C (14 °F - 122 °F), a megfelelő üzemelési páratartalom pedig legfeljebb 95%.
- A készülék csak a tengerszint feletti 2000 m-nél alacsonyabb térségekben használható biztonságosan.
- A készüléket száraz és jól szellőző környezetben tárolja.
- NE TEGYE ki a készüléket erős elektromágneses sugárzásnak vagy poros környezetnek.
- NE IRÁNYÍTSA az objektívet a Nap vagy más erős fényforrás

irányába.

- Ha bármilyen lézerekészüléket használ, biztosítsa, hogy a készülék lencsáját ne érje a lézersugár, különben az kiéghet.
- A készülék alkalmas beltéri és kültéri használatra, de ne tegye ki nedves környezeti viszonyoknak.
- A védelem szintje IP 54.
- A szennyezettségi szint 2-es.

Műszaki támogatás

- A <https://www.hikmicrotech.com> portál segítséget nyújt Önnek a HIKMICRO ügyfeleként, hogy a lehető legtöbbet kihozassa a HIKMICRO termékeiből. A portálon keresztül elérheti ügyfélszolgálati csapatunkat, ezenkívül talál szoftvereket és dokumentációkat, szervizek elérhetőségeit stb.

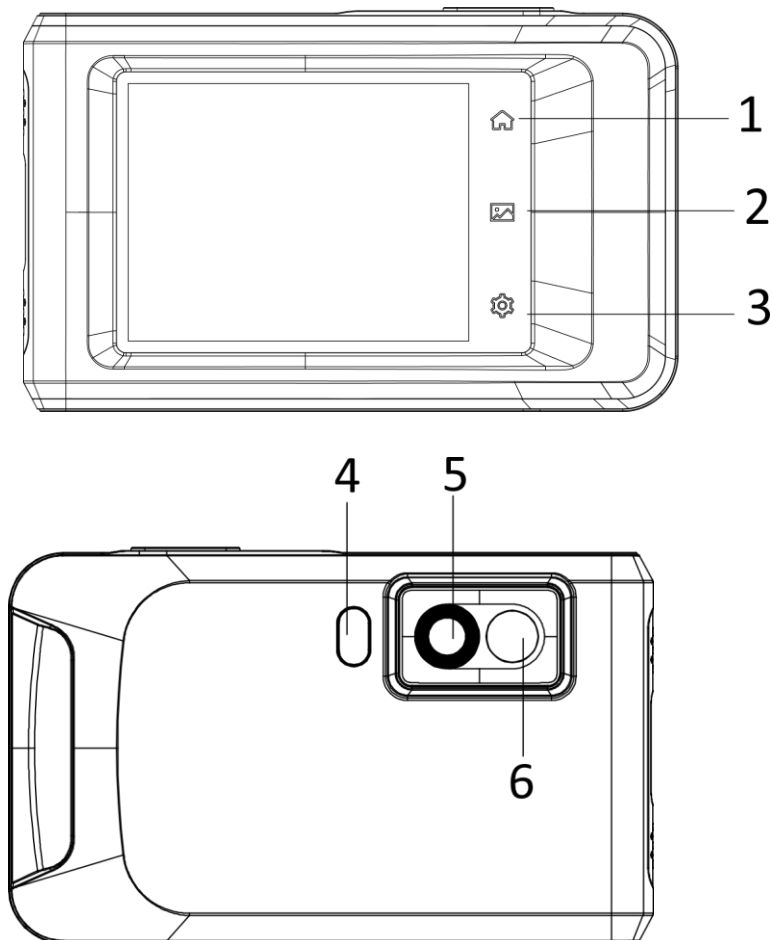
Vészhelyzet

- Ha a készülék füstöt, furcsa szagot vagy zajt bocsát ki, azonnal kapcsolja ki, húzza ki a tápkábelt, majd forduljon a szervizközponthoz.

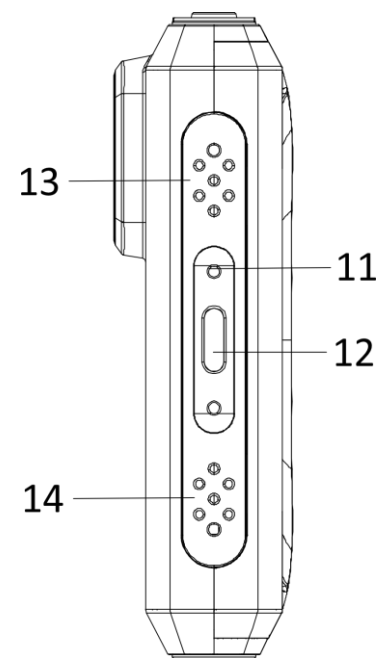
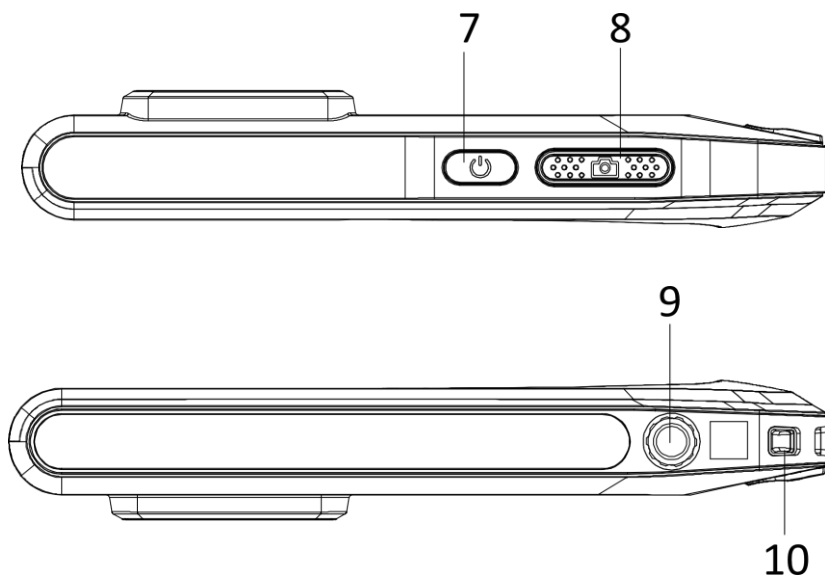
A gyártó címe

313-as szoba, B egység, 2-es épület, 399 Danfeng Road, Xixing alkerület, Binjiang kerület, Hangzhou, Zhejiang 310052, Kína
Hangzhou Microimage Software Co., Ltd.

MEGFELELŐSÉGI MEGJEGYZÉS: A termográfias sorozat termékeire exportszabályozás vonatkozhat különböző régiókban és országokban, pl. az Egyesült Államokban, az Európai Unióban, az Egyesült Királyságban és/vagy a wassenaari egyezmény más tagországokban. Ha a termográfias sorozat termékeit különböző országok közt szeretné szállítani, exportálni vagy újraexportálni, tájékozódjon a szükséges exportengedélyekről és követelményekről egy jogi vagy megfeleléségi szakértőnél, vagy a helyi hatóságoknál.



<i>Nr.</i>	<i>Descriere</i>	<i>Funcție</i>
1	Tasta Pagină principală	Atingeți pentru a reveni la interfața de vizualizare live.
2	Tasta Fișier	Atingeți pentru a introduce albume.
3	Tasta Setări	Atingeți pentru a intra în interfața de setări.
4	Lanternă	Lumină de umplere pe obiecte și emite alarmă intermitentă.
5	Obiectiv termic	Vizualizați imaginea termică.
6	Obiectiv optic	Vizualizați imaginea optică.



<i>Nr.</i>	<i>Descriere</i>	<i>Funcție</i>
7	Tasta de pornire	Țineți apăsat pentru pornirea/oprirea dispozitivului.
8	Tasta Captură	<ul style="list-style-type: none"> ● Apăsați în modul de vizualizare live: capturați instantanee/opriți înregistrarea ● Apăsați în modul meniu: a reveni la interfața de vizualizare live ● Țineți apăsat: începeți înregistrarea
9	Montare trepied	Pentru montarea trepiedului.
10	Punct de atașare a curelei	Montați cureaua.
11	Indicator	<p>Indicați starea de încărcare a dispozitivului.</p> <ul style="list-style-type: none"> ● Roșu continuu: se încarcă normal ● Roșu intermitent: excepție de încărcare ● Verde continuu: complet încărcat
12	Interfață de tip C	Încărcați dispozitivul sau exportați fișiere cu cablu tip C.

13	Sonerie	leșire alarmă sonoră.
14	Microfon	Înregistrare audio.

Măsurarea temperaturii

Cu detectorul IR de înaltă sensibilitate încorporat și senzorul de înaltă performanță, intervalul de măsurare a temperaturii este de -20 °C până la 400 °C (-4 °F și 752 °F), iar precizia măsurării temperaturii este de ± 2 °C (± 3,6 °F) sau 2% atunci când temperatura ambiantă este de 15 °C până la 35 °C (59 °F și 95 °F) și temperatura obiectului este peste 0 °C (32 °F).

Meniu glisează în jos

Puteți regla luminozitatea din meniul glisant și puteți activa funcții precum Wi-Fi, Bluetooth, Hotspot, Distribuție ecran, Lanternă, Rotire automată și modul întunecat/luminos.

Conectare la software-ul clientului

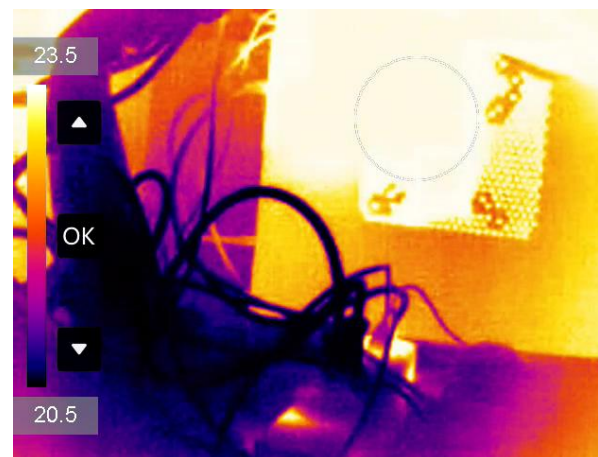
Puteți vizualiza imagini în timp real, puteți capta instantanee și puteți înregistra clipuri video prin intermediul aplicației HIKMICRO Viewer de pe telefon. Scanați codurile QR de pe copertă pentru a descărca aplicația.

Și puteți descărca HIKMICRO Analyzer (<https://www.hikmicrotech.com>) pentru a analiza imaginile offline în mod profesional și pentru a genera un raport pe PC, în format personalizat.

Ajustare imagine

Nivelul și intervalul pot fi reglate manual sau automat pentru a obține un efect termic bun pentru o analiză mai bună a diferenței de temperatură.

În modul automat, Dispozitivul reglează automat parametrii intervalului de temperatură. În modul manual, puteți atinge o zonă de interes a ecranului sau atingeți săgețile din partea stângă a ecranului pentru a regla intervalul de temperatură la diaplay.



Notă: Camera dvs. va efectua periodic o autocalibrare, pentru a optimiza calitatea imaginii și precizia măsurătorilor. În acest proces, imaginea se va întrerupe pentru scurt timp și veți auzi un „clic”, pe măsură ce declanșatorul se deplasează în fața detectorului. Mesajul „Calibrare...” apare în centrul părții de sus a ecranului pe măsură ce dispozitivul se calibrează. Autocalibrarea va fi mai frecventă în timpul pornirii sau în medii foarte reci sau calde. Aceasta este o parte normală a funcționării pentru a asigura performanțe optime pentru camera dumneavoastră.

Manual de utilizare

Pentru instrucțiuni detaliate privind funcționarea, vă rugăm să scanați codul QR pentru a obține manualul de utilizare.



Informații juridice


©2022 Hangzhou Microimage Software Co., Ltd. Toate drepturile rezervate.

Despre acest Manual

Manualul include instrucțiuni pentru utilizarea și gestionarea Produsului. Fotografii, diagramele, imaginile și toate celelalte informații de mai jos sunt doar pentru descriere și explicații. Informațiile conținute în Manualul pot fi modificate, fără notificare prealabilă, din cauza actualizărilor firmware-ului sau din alte motive. Vă rugăm să găsiți cea mai recentă versiune a acestui Manual pe site-ul HIKMICRO (www.hikmicrotech.com/).

Vă rugăm să folosiți acest Manual sub îndrumarea și cu asistența unor profesioniști instruiți în domeniul asistenței pentru produs.

Recunoașterea mărcilor

 **HIKMICRO** și alte mărci comerciale și sigle ale HIKMICRO reprezintă proprietatea HIKMICRO în diferite jurisdicții. Alte mărci comerciale și logo-uri menționate sunt proprietățile proprietarilor respectivi.

AVIZ LEGAL

ÎN MĂSURA MAXIMĂ PERMISĂ DE LEGISLAȚIA APLICABILĂ, ACEST MANUAL ȘI PRODUSUL DESCRIS, ÎMPREUNĂ CU HARDWARE-UL, SOFTWARE-UL ȘI FIRMWARE-UL SĂU, SUNT FURNIZATE „CA ATARE” ȘI „CU TOATE DEFECTELE ȘI ERORILE”. HIKMICRO NU OFERĂ GARANȚII, EXPLICITE SAU IMPLICITE, INCLUSIV, FĂRĂ LIMITARE, VANDABILITATE, CALITATE SATISFĂCĂTOARE SAU ADECVARE PENTRU UN ANUMIT SCOP. UTILIZAREA PRODUSULUI DE CĂTRE DVS. ESTE PE PROPRIU RISC. ÎN NICIUN CAZ HIKMICRO NU VA FI RĂSPUNZĂTOR FAȚĂ DE DVS. PENTRU ORICE DAUNE SPECIALE, CONSECVENTE, ACCIDENTALE SAU INDIRECTE, INCLUSIV, PRINTRE ALTELE, DAUNE PENTRU PIERDEREA PROFITURILOR DE AFACERI, ÎNTRERUPEREA AFACERII, SAU PIERDEREA DATELOR, CORUPȚIA SISTEMELOR SAU PIERDEREA DOCUMENTAȚIEI, FIE CĂ SE BAZEAZĂ PE ÎNCĂLCAREA CONTRACTULUI, DELICT (INCLUSIV NEGLIJENȚĂ), RĂSPUNDEREA PRODUSULUI SAU ÎN ALT MOD, ÎN LEGĂTURĂ CU UTILIZAREA PRODUSULUI, CHIAR DACĂ HIKMICRO A FOST INFORMAT CU PRIVIRE LA POSIBILITATEA UNOR ASTFEL DE DAUNE SAU PIERDERI.

RECUNOAȘTEȚI CĂ NATURA INTERNETULUI ASIGURĂ RISCURI DE SECURITATE INERENTE, IAR HIKMICRO NU ÎȘI ASUMĂ NICIO RESPONSABILITATE PENTRU FUNCȚIONAREA ANORMALĂ, SCURGERI DE CONFIDENȚIALITATE SAU ALTE DAUNE REZULTATE DIN ATACURILE CIBERNETICE, ATACURILE HACKERILOR, INFECȚIILOR CU VIRUȘI SAU ALTE RISCURI DE SECURITATE PE INTERNET; CU TOATE ACESTEA, HIKMICRO VA OFERI ASISTENȚĂ TEHNICĂ ÎN TIMP UTIL, DACĂ ESTE NECESAR.


SUNTEȚI DE ACORD SĂ UTILIZAȚI ACEST PRODUS ÎN CONFORMITATE CU TOATE LEGILE APLICABILE ȘI SUNTEȚI SINGURUL RESPONSABIL PENTRU A VĂ ASIGURA CĂ UTILIZAREA DVS. ESTE ÎN CONFORMITATE CU LEGISLAȚIA APLICABILĂ. ÎN SPECIAL, SUNTEȚI RESPONSABIL, PENTRU UTILIZAREA ACESTUI PRODUS ÎNTR-UN MOD CARE NU ÎNCALCĂ DREPTURILE TERȚILOR, INCLUSIV, FĂRĂ LIMITARE, DREPTURILE DE PUBLICITATE, DREPTURILE DE PROPRIETATE INTELECTUALĂ SAU PROTECȚIA DATELOR ȘI ALTE DREPTURI DE CONFIDENȚIALITATE. NU VEȚI UTILIZA ACEST PRODUS PENTRU

UTILIZĂRI FINALE INTERZISE, INCLUSIV PENTRU DEZVOLTAREA SAU PRODUCEREA DE ARME DE DISTRUGERE ÎN MASĂ, DEZVOLTAREA SAU PRODUCEREA DE ARME CHIMICE SAU BIOLOGICE, ORICE ACTIVITĂȚI ÎN CONTEXTUL ORICĂRUI CICLU NUCLEAR EXPLOZIV SAU NESIGUR AL COMBUSTIBILULUI NUCLEAR SAU ÎN SPRIJINUL OAMENILOR ABUZURI DE DREPTURI.

ÎN CAZUL UNOR CONFLICTE ÎNTRE ACEST MANUAL ȘI LEGEA APLICABILĂ, ACESTA DIN URMĂ PREVALEAZĂ.

Informații de reglementare

Declarație de conformitate UE

 Acest produs și, dacă este cazul, și accesoriile furnizate sunt însemnate cu marcajul „CE” și, drept urmare, sunt conforme cu standardele europene armonizate aplicabile, enumerate în Directiva 2014/30/UE (EMCD), Directiva 2014/35/UE (LVD), Directiva 2011/65/UE (RoHS).

Restricții în banda de 5 GHz:

În conformitate cu articolul 10 alineatul (10) din Directiva 2014/53/UE, atunci când funcționează în intervalul de frecvențe cuprins între 5150 și 5350 MHz, acest dispozitiv este limitat la utilizarea în interior în: Austria (AT), Belgia (BE), Bulgaria (BG), Croația (HR), Cipru (CY), Republica Cehă (CZ), Danemarca (DK), Estonia (EE), Finlanda (FI), Franța (FR), Germania (DEe), Grecia (EL), Ungaria (HU), Islanda (IS), Irlanda (IE), Italia (IT), Letonia (LV), Liechtenstein (LI), Lituania (LT), Luxemburg (LU), Malta (MT), Țările de Jos (NL), Irlanda de Nord (UK(NI)), Norvegia (NO), Polonia (PL), Portugalia (PT), România (RO), Slovacia (SK), Slovenia (SI), Spania (ES), Suedia (SE), Elveția (CH) și Turcia (TR).

Benzile de frecvență și limitele nominale ale puterii transmise (radiate și/sau conduse) aplicabile acestui dispozitiv radio sunt următoarele:

Wi-Fi: 2,4 GHz (de la 2,4 GHz până la 2,4835 GHz): 20 dBm; 5 GHz (de la 5,15 GHz până la 5,25 GHz): 23 dBm; 5 GHz (de la 5,25 GHz până la 5,35 GHz): 23 dBm; 5 GHz (de la 5,47 GHz până la 5,725GHz): 23 dBm; 5 GHz (de la 5,725 GHz până la 5,85 GHz): 14 dBm

Bluetooth: 2,4 GHz (de la 2,4 GHz până la 2,4835 GHz): 20 dBm

Utilizați adaptorul de alimentare furnizat de un producător calificat. Consultați specificațiile produsului pentru cerințele detaliate de

alimentare.

Utilizați bateria furnizată de un producător calificat. Consultați specificațiile produsului pentru cerințele detaliate privind pbateria.



Directiva 2012/19/UE (directiva DEEE): Produsele marcate cu acest simbol nu pot fi aruncate ca deșeuri municipale nesortate în Uniunea Europeană. Pentru o reciclare adecvată, returnați acest produs furnizorului local la achiziționarea unui

echipament nou echivalent sau aruncați-l la punctele de colectare desemnate. Pentru mai multe informații, consultați:

www.recyclethis.info



Directiva 2006/66/CE și modificarea acesteia 2013/56/UE (directiva privind bateriile): Acest produs conține o baterie care nu poate fi eliminată ca deșeuri municipale nesortate în Uniunea Europeană. Consultați documentația produsului pentru informații specifice despre baterie. Bateria este marcată cu acest simbol, care poate include litere pentru a indica cadmiul (Cd), plumbul (Pb) sau mercurul (Hg). Pentru o reciclare corectă, returnați bateria furnizorului dvs. sau la un punct de colectare desemnat. Pentru mai multe informații, consultați: www.recyclethis.info.

Instrucțiuni de siguranță

Aceste instrucțiuni sunt menite să asigure că utilizatorul poate utiliza corect produsul pentru a evita pericolul sau pierderea proprietății.

Legi și reglementări

- Utilizarea produsului trebuie să respecte cu strictețe reglementările locale de siguranță electrică.

Transport

- Păstrați dispozitivul în ambalajul original sau similar în timpul transportului.
- După dezambalare, păstrați toate ambalajele pentru o viitoare utilizare. În cazul în care a apărut vreun defect, trebuie să returnați dispozitivul în fabrică cu ambalajul original. Transportul fără ambalajul original poate duce la deteriorarea dispozitivului, iar compania nu își asumă nici o responsabilitate pentru aceasta.
- Nu scăpați produsul și nu-l supuneți șocurilor fizice. Țineți dispozitivul departe de interferența magnetică.

Sursa de alimentare

- Tensiunea de intrare trebuie să respecte sursa de alimentare

limitată (3,85 V c.c., 570 mA) conform standardului IEC62368. Vă rugăm să consultați specificațiile tehnice pentru informații detaliate.

- Asigurați-vă că ștecherul este conectat corect la priza de curent.
- NU conectați mai multe dispozitive la un adaptor de alimentare pentru a evita pericolul de supraîncălzire sau de incendiu.
- Utilizați adaptorul de alimentare furnizat de un producător calificat. Consultați specificațiile produsului pentru cerințele detaliate de alimentare.

Baterie

- Încărcați dispozitivul timp de 3 ore înainte de a îl utiliza pentru prima dată.
- Utilizarea necorespunzătoare sau înlocuirea bateriei pot duce la pericol de explozie. Înlocuiți numai cu același tip sau un tip echivalent. Eliminați bateriile uzate în conformitate cu instrucțiunile oferite de producătorul bateriei.
- Bateria încorporată nu poate fi demontată. Vă rugăm să contactați producătorul pentru reparații, dacă este necesar.
- NU încărcați alte tipuri de baterii cu încărcătorul furnizat. Confirmați că nu există material inflamabil la 2 m de încărcător în timpul încărcării.
- Pentru depozitarea pe termen lung a bateriei, asigurați-vă că aceasta este complet încărcată la fiecare jumătate de an pentru a asigura calitatea bateriei. În caz contrar, pot apărea daune.
- Utilizați bateria furnizată de un producător calificat. Consultați specificațiile produsului pentru cerințele detaliate privind pbateria.
- NU așezați bateria lângă sursa de încălzire sau de incendiu. Evitați lumina directă a soarelui.
- NU înghițiți bateria pentru a evita arsurile chimice.
- NU așezați bateria la îndemâna copiilor.
- Când dispozitivul este oprit și bateria RTC este plină, setările de timp pot fi păstrate timp de 6 luni.
- La prima utilizare, încărcați dispozitivul mai mult de 2,5 ore în starea oprită.
- Tensiunea bateriei este de 3,85 V, iar capacitatea bateriei este de 2100 mAh.
- Bateria este certificată de UL2054.

Întreținere

- În cazul în care produsul nu funcționează corect, vă rugăm să contactați dealerul sau cel mai apropiat centru de service. Nu ne asumăm nicio responsabilitate pentru problemele cauzate de

reparații sau întreținere neautorizate.

- Câteva componente ale dispozitivului (de exemplu, condensator electrolitic) necesită înlocuirea regulată. Durata medie de viață variază, deci se recomandă verificarea periodică. Contactați distribuitorul pentru detalii.
- Ștergeți ușor aparatul cu o cârpă curată și o cantitate mică de etanol, dacă este necesar.
- În cazul în care echipamentul este utilizat într-un mod care nu este specificat de producător, protecția oferită de dispozitiv poate fi afectată.

Serviciul de calibrare

- Vă recomandăm să trimiteți dispozitivul înapoi pentru calibrare o dată pe an și vă rugăm să contactați distribuitorul local pentru informații despre punctele de întreținere. Pentru servicii de calibrare mai detaliate, consultați <https://www.hikmicrotech.com/en/calibrationservices/2>.

Utilizarea mediului

- NU expuneți dispozitivul la medii extrem de calde, reci, prăfuite, corozive, saline-alkaline sau umede. Asigurați-vă că mediul de funcționare îndeplinește cerințele dispozitivului. Temperatura de funcționare trebuie să fie între -10 °C și 50 °C (14 °F și 122 °F), iar umiditatea de funcționare trebuie să fie de 95% sau mai mică.
- Acest dispozitiv poate fi utilizat în siguranță numai în regiunea sub 2000 de metri deasupra nivelului mării.
- Așezați dispozitivul într-un mediu uscat și bine ventilat.
- NU expuneți dispozitivul la radiații electromagnetice ridicate sau în medii cu praf .
- NU îndreptați obiectivul la soare sau la orice altă lumină strălucitoare.
- Când utilizați orice echipament laser, asigurați-vă că lentila

dispozitivului nu este expusă la raza laser, altfel se poate arde.

- Dispozitivul este potrivit pentru utilizări interioare și exterioare, dar nu îl expuneți în condiții umede.
- Nivelul de protecție este IP 54.
- Gradul de poluare este 2.

Suport tehnic

- Portalul <https://www.hikmicrotech.com> vă va ajuta în calitate de client HIKMICRO să beneficiați la maximum de produsele dvs. HIKMICRO. Portalul vă oferă acces la echipa noastră de asistență, software și documentație, contacte de service etc.

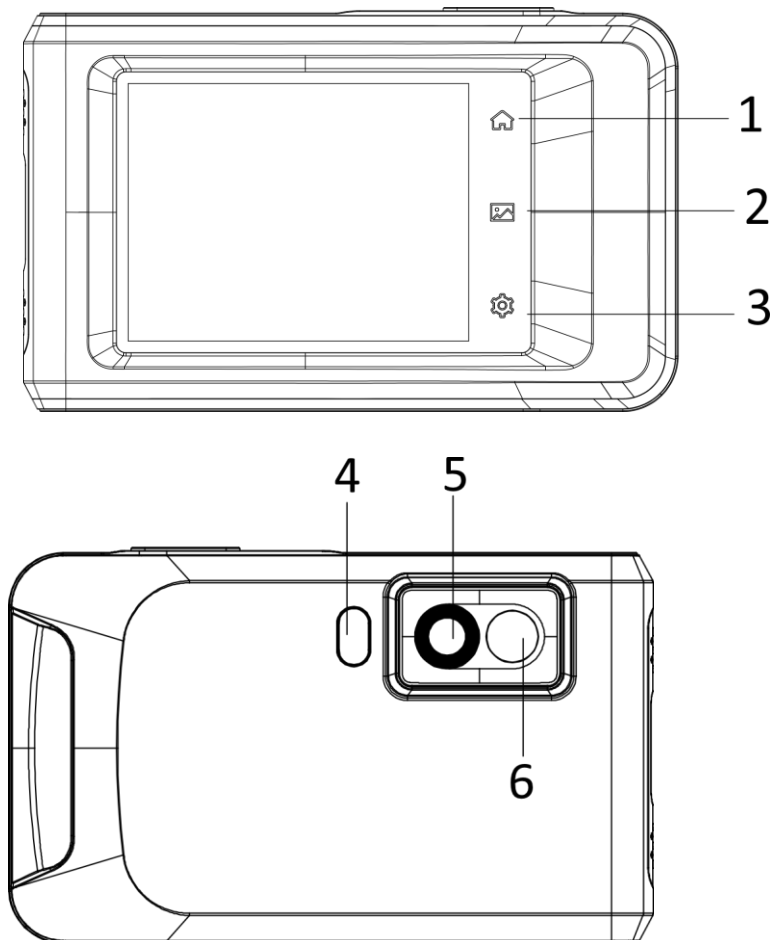
Urgență

- Dacă de la dispozitiv apar fum, miros sau zgomot, opriți imediat alimentarea, deconectați cablul de alimentare și contactați centrul de service.

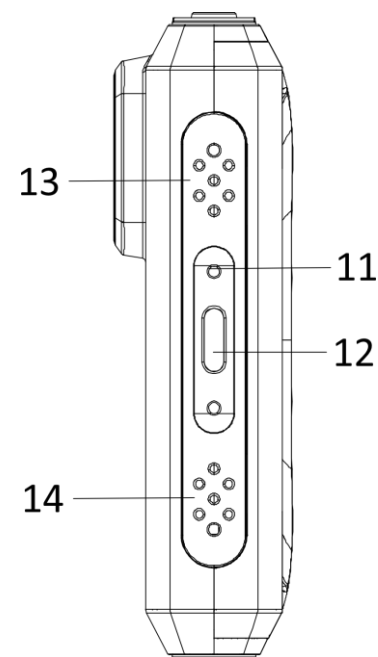
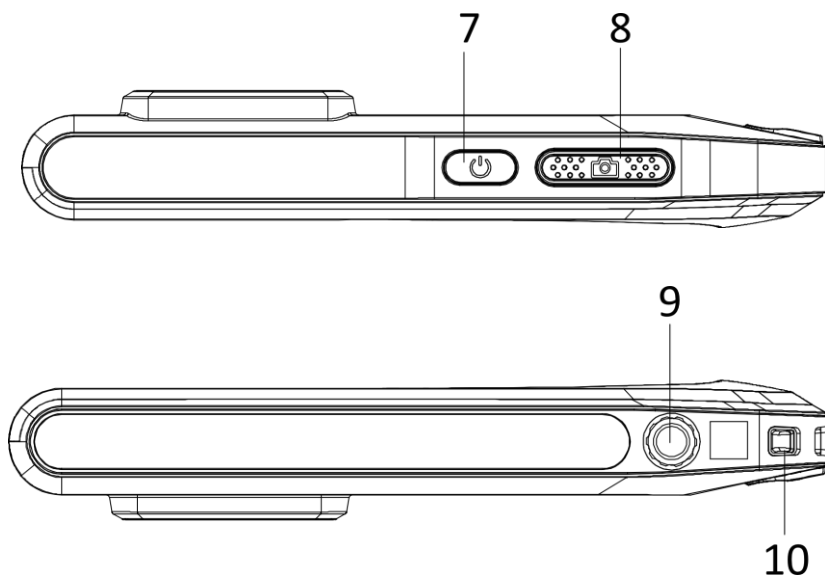
Adresa de fabricație

Camera 313, unitatea B, clădirea 2, strada 399 Danfeng, subdistrictul Xixing, districtul Binjiang, Hangzhou, Zhejiang 310052, China
Hangzhou Microimage Software Co., Ltd.

NOTIFICARE DE CONFORMITATE: Produsele din seria termică pot fi supuse controalelor exporturilor în diferite țări sau regiuni, inclusiv, fără limitare, Statele Unite ale Americii, Uniunea Europeană, Regatul Unit și/sau alte țări membre ale Aranjamentului de la Wassenaar. Vă rugăm să consultați expertul dvs. juridic sau de conformitate sau autoritățile administrației publice locale pentru orice cerințe necesare ale licenței de export dacă intenționați să transferați, să exportați, să reexportați produsele de serie termică între diferite țări.



Nr.	Omschrijving	Functie
1	Home-toets	Tik om terug te gaan naar de liveweergave-interface.
2	De toets bestand	Tik hierop om albums te openen.
3	De toets Instellingen	Tik hierop om de instellingeninterface te openen.
4	Flitslicht	Werpt licht op objecten en geeft een knipperend alarm af.
5	Thermische lens	Warmtebeeld bekijken.
6	Optische lens	Optisch beeld bekijken.



Nr.	Omschrijving	Functie
7	Aan/uit-toets	Houd ingedrukt om het apparaat in/uit te schakelen.
8	Vastlegtoets	<ul style="list-style-type: none"> ● Druk hierop in liveweergavemodus: momentopnames vastleggen/opname stoppen ● Druk hierop in menumodus: teruggaan naar de liveweergave-interface ● Ingedrukt houden: opname starten
9	Statiefbevestiging	Bevestig het statief.
10	Bevestigingspunt band	Bevestig de band.
11	Pictogram	<p>Geeft de oplaadstatus van het apparaat aan.</p> <ul style="list-style-type: none"> ● Continu rood: laadt normaal op ● Knippert rood: oplaaduitzondering ● Continu groen: volledig opgeladen

12	Interface type C	Hiermee laadt u het apparaat op of exporteert u bestanden met behulp van type-C-kabel.
13	Zoemer	Geeft een hoorbaar alarm af.
14	Microfoon	Audio opnemen.

Temperatuurmeting

Met de ingebouwde hooggevoelige IR-detector en hoogwaardige sensor is het temperatuurmeetbereik -20 °C tot 400 °C met een temperatuurmetingsnauwkeurigheid van ± 2 °C of 2% wanneer de omgevingstemperatuur 15 °C tot 35 °C is en de objecttemperatuur hoger dan 0 °C.

Veegmenu

In het veegmenu kunt u de helderheid aanpassen en functies inschakelen zoals wifi, bluetooth, hotspot, schermprojectie, flitslicht, automatisch draaien en donkere/heldere modus.

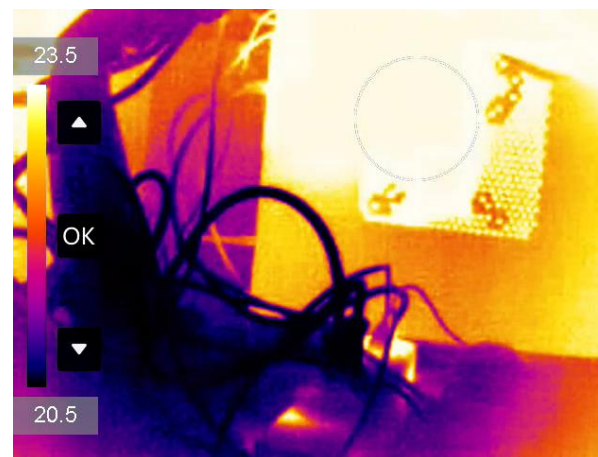
Verbinding clientsoftware

U kunt liveweergave bekijken, momentopnames vastleggen en video's opnemen via de HIKMICRO Viewer-app op uw telefoon. Scan de QR-code op de behuizing om de app te downloaden. U kunt ook HIKMICRO Analyzer (<https://www.hikmicrotech.com>) downloaden om afbeeldingen offline professioneel te analyseren en een aangepast formaatrapport te genereren op uw pc.

Aanpassing afbeelding

Het niveau en bereik kunnen handmatig of automatisch worden aangepast om een goed thermisch effect te bereiken voor een betere temperatuurverschilanalyse.

In de automatische modus past het apparaat de parameters van het temperatuurbereik automatisch aan. In de handmatige modus kunt u op een interessegebied op het scherm of op de pijlen aan de linkerkant van het scherm tikken om het temperatuurbereik aan te passen aan het scherm.



Opmerking: Uw camera zal periodiek een zelfkalibratie uitvoeren om de beeldkwaliteit te optimaliseren en de nauwkeurigheid te meten. In dit proces wordt het beeld kort gepauzeerd en hoort u een “klik” wanneer een sluiters voor de detector beweegt. De melding "Kalibreren..." verschijnt bovenaan in het midden van het scherm wanneer het apparaat zichzelf kalibreert. De zelfkalibratie zal vaker plaatsvinden tijdens het opstarten of in zeer koude of warme omgevingen. Dit is een normaal onderdeel van de het gebruik om optimale voor uw camera te garanderen.

Gebruiksaanwijzing

Scan voor gedetailleerde bedieningsinstructies de QR-code om de gebruikershandleiding te downloaden.



Juridische informatie

©2022 Hangzhou Microimage Software Co., Ltd. Alle rechten

voorbehouden.

Over deze handleiding

De handleiding bevat instructies voor het gebruik en beheer van het product. Afbeeldingen, grafieken, afbeeldingen en alle andere informatie hierna worden verstrekt voor beschrijving en uitleg. De informatie in de handleiding is onderhevig aan verandering, zonder voorafgaande kennisgeving, als gevolg van firmware-updates of andere redenen. U kunt de nieuwste versie van deze handleiding vinden op de HIKMICRO-website (www.hikmicrotech.com/). Gebruik deze handleiding onder begeleiding en ondersteuning van professionals die zijn opgeleid voor het ondersteunen van het product.

Erkenning handelsmerken

 HIKMICRO en andere handelsmerken en logo's van HIKMICRO zijn eigendom van HIKMICRO in verschillende rechtsgebieden.

Andere handelsmerken en logo's zijn het eigendom van hun respectieve eigenaren.

JURIDISCHE DISCLAIMER

VOOR ZOVER MAXIMAAL TOEGESTAAN OP GROND VAN HET TOEPASSELIJK RECHT, WORDEN DEZE HANDLEIDING EN HET OMSCHREVEN PRODUCT, INCLUSIEF HARDWARE, SOFTWARE EN FIRMWARE, GELEVERD 'ZOALS ZE ZIJN', INCLUSIEF 'FOUTEN EN GEBREKEN'. HIKMICRO GEEFT GEEN GARANTIES, EXPLICIET OF IMPLICIET, WAARONDER ZONDER BEPERKING, VERKOOPBAARHEID, BEVREDIGENDE KWALITEIT OF GESCHIKTHEID VOOR EEN BEPAALD DOEL. HET GEBRUIK VAN HET PRODUCT DOOR U IS OP EIGEN RISICO. IN GEEN GEVAL IS HIKMICRO VERANTWOORDELIJK VOOR SPECIALE, BIJKOMENDE, INCIDENTELE OF INDIRECTE SCHADE, WAARONDER, ONDER ANDERE, SCHADE VAN VERLIES AAN ZAKELIJKE WINST, ZAKELIJKE ONDERBREKING OF VERLIES VAN GEGEVENS, CORRUPTIE OF SYSTEMEN, OF VERLIES VAN DOCUMENTATIE, ONGEACHT OF DIT VOORTVLOEIT UIT CONTRACTBREUK, BENADELING (INCLUSIEF NALATIGHEID), PRODUCTAANSPRAAKELIJKHEID OF ANDERS, MET BETREKKING TOT HET PRODUCT, ZELFS ALS HIKMICRO OP DE HOOGTE IS GEBRACHT VAN ZULKE SCHADE OF VERLIES.


U ERKENT DAT DE AARD VAN HET INTERNET INHERENTE VEILIGHEIDSRISICO'S INHOUDT EN DAT HIKMICRO GEEN ENKELE VERANTWOORDELIJKHEID AANVAARDT VOOR ABNORMALE WERKING, HET UITLEKKEN VAN PERSOONLIJKE GEGEVENS OF ANDERE SCHADE ALS GEVOLG VAN CYBERAANVALLEN, HACKERAANVALLEN, VIRUSBESMETTINGEN OF ANDERE BEVEILIGINGSRISICO'S OP HET INTERNET; INDIEN NODIG VOORZIET HIKMICRO IN TIJDIGE TECHNISCHE ONDERSTEUNING.

U GAAT AKKOORD MET HET GEBRUIK VAN DIT PRODUCT IN OVEREENSTEMMING MET ALLE TOEPASBARE WETTEN EN UITSLUITEND U BENT VERANTWOORDELIJK VOOR DE GARANTIE DAT UW GEBRUIK OVEREENSTEMT MET DE TOEPASBARE WET. U BENT VOORAL VERANTWOORDELIJK DAT HET GEBRUIK VAN DIT PRODUCT GEEN INBREUK MAAKT OP DE RECHTEN VAN DERDEN, INCLUSIEF EN ZONDER BEPERKING DE RECHTEN VAN PUBLICITEIT, INTELLECTUEEL EIGENDOM, OF GEGEVENS BESCHERMING EN ANDERE PRIVACYRECHTEN. U MAG DIT PRODUCT NIET GEBRUIKEN VOOR ENIGE ONWETTIG EINDGEBRUIK, MET INBEGRIIP VAN DE ONTWIKKELING OF DE PRODUCTIE VAN MASSAVERNIEGINGSWAPENS, DE ONTWIKKELING OF DE PRODUCTIE VAN CHEMISCHE OF BIOLOGISCHE WAPENS, ALLE ACTIVITEITEN IN HET

KADER VAN EVENTUELE NUCLEAIRE EXPLOSIEVEN OF ONVEILIGE NUCLEAIRE BRANDSTOF CYCLUS, OF TER ONDERSTEUNING VAN MENSENRECHTENSCHENDINGEN.
IN HET GEVAL VAN ENIGE CONFLICTEN TUSSEN DEZE HANDLEIDING EN DE TOEPASSELIJKE WETGEVING, PREVALEERT DE LAATSTE.

Informatie met betrekking tot regelgeving

EU-conformiteitsverklaring

 Dit product en - indien van toepassing - de meegeleverde accessoires dragen het merkteken "CE" en voldoen derhalve aan de toepasselijke geharmoniseerde Europese normen onder richtlijn 2014/30/EU (EMCD), richtlijn 2014/35/EU (LVD) en richtlijn 2011/65/EU (RoHS).

Beperkingen in de 5 GHz-band:

Volgens artikel 10 (10) van Richtlijn 2014/53/EU is dit apparaat bij gebruik in het frequentiebereik van 5150 tot 5350 MHz beperkt tot gebruik binnenshuis in: Oostenrijk (AT), België (BE), Bulgarije (BG), Kroatië (HR), Cyprus (CY), Tsjechië (CZ), Denemarken (DK), Estland (EE), Finland (FI), Frankrijk (FR), Duitsland (DE), Griekenland (EL), Hongarije (HU), IJsland (IS), Ierland (IE), Italië (IT), Letland (LV), Liechtenstein (LI), Litouwen (LT), Luxemburg (LU), Malta (MT), Nederland (NL), Noord-Ierland (UK(NI)), Noorwegen (NO), Polen (PL), Portugal (PT), Roemenië (RO), Slowakije (SK), Slovenië (SI), Spanje (ES), Zweden (SE), Zwitserland (CH) en Turkije (TR).

De frequentiebanden en de nominale limieten van het op dit radiotoestel toepasselijke geëmitteerde vermogen (uitgestraald en/of geleid) zijn de volgende:

Wi-Fi: 2,4 GHz (2,4 GHz tot 2,4835 GHz): 20 dBm; 5 GHz (5,15 GHz tot 5,25 GHz): 23 dBm; 5 GHz (5,25 GHz tot 5,35 GHz): 23 dBm; 5 GHz (5,47 GHz tot 5,725 GHz): 23 dBm; 5 GHz (5,725 GHz tot 5,85 GHz): 14 dBm

Bluetooth: 2,4 GHz (2,4 GHz tot 2,4835 GHz): 20 dBm

Gebruik de door een gekwalificeerde fabrikant geleverde netstroomadapter. Raadpleeg de productspecificaties voor nauwkeurig omschreven vereisten omtrent de voeding.

Gebruik de door een gekwalificeerde fabrikant geleverde batterij. Raadpleeg de productspecificaties voor nauwkeurig omschreven

vereisten omtrent de batterij.



Richtlijn 2012/19/EU (WEEE-richtlijn): Producten die met dit symbool zijn gemarkeerd mogen binnen de Europese Unie niet worden weggegooid als ongesorteerd huishoudelijk afval.

Lever dit product voor een juiste recycling in bij uw plaatselijke leverancier bij aankoop van soortgelijke nieuwe apparatuur, of breng het naar daarvoor aangewezen inzamelpunten. Raadpleeg www.recyclethis.info voor meer informatie



Richtlijn 2006/66/EG en zijn amendement 2013/56/EU (Batterijrichtlijn): Dit product bevat een batterij die binnen de Europese Unie niet mag worden weggegooid als ongesorteerd huishoudelijk afval. Zie de productdocumentatie voor specifieke informatie over de batterij. De batterij is gemarkeerd met dit symbool, dat letters kan bevatten die cadmium (Cd), lood (Pb) of kwik (Hg) aanduiden. Lever de batterij voor een juiste recycling in bij uw leverancier of bij een daarvoor aangewezen inzamelpunt. Raadpleeg voor meer informatie: www.recyclethis.info.

Veiligheidsinstructies

Deze instructies zijn bedoeld om te verzekeren dat de gebruiker het product juist kan gebruiken om gevaar of verlies van eigendommen te vermijden.

Wet- en regelgeving

- Gebruik van het product moet in strikte overeenstemming met de plaatselijke elektrische veiligheidsvoorschriften plaatsvinden.

Transport

- Bewaar het apparaat in de originele of soortgelijke verpakking tijdens vervoer.
- Bewaar alle verpakkingen voor toekomstig gebruik. In het geval van een defect moet u het apparaat terugsturen naar de fabriek met de originele verpakking. Transport zonder de originele verpakking kan leiden tot schade aan het apparaat, waarvoor wij geen verantwoordelijk erkennen.
- Laat het product niet vallen en stel het apparaat niet bloot aan schokken. Houd het toestel uit de buurt van magnetische velden.

Stroomvoorziening

- De ingangsspanning moet voldoen aan de beperkte voedingsbron (3,85 VDC, 570 mA) volgens de IEC62368-norm. Zie de technische specificaties voor gedetailleerde informatie.

- Zorg dat de stekker goed in het stopcontact zit.
- Sluit NOOIT meerdere apparaten aan op één voedingsadapter om oververhitting of brandgevaar door overbelasting te voorkomen.
- Gebruik de door een gekwalificeerde fabrikant geleverde netstroomadapter. Raadpleeg de productspecificaties voor nauwkeurig omschreven vereisten omtrent de voeding.

Batterij

- Laad het apparaat gedurende 3 uur op voordat u het voor de eerste keer gebruikt.
- Onjuist gebruik of onjuiste vervanging van de batterij kan resulteren in explosiegevaar. Vervang hem alleen door hetzelfde of een gelijkwaardig type. Voer gebruikte batterijen af in overeenstemming met de instructies van de batterij fabrikant.
- De ingebouwde batterij kan niet worden gedemonteerd. Neem indien nodig contact op met de fabrikant voor reparatie.
- Laad geen andere batterijtypes op met de meegeleverde oplader. Zorg tijdens het opladen dat er zich geen brandbaar materiaal binnen een straal van 2 m van de oplader bevindt.
- Voor langdurige opslag van de batterij moet u ervoor zorgen dat deze elk half jaar volledig wordt opgeladen om de kwaliteit van de batterij te waarborgen. Als u dit niet doet, kan dit leiden tot schade.
- Gebruik de door een gekwalificeerde fabrikant geleverde batterij. Raadpleeg de productspecificaties voor nauwkeurig omschreven vereisten omtrent de batterij.
- Houd de batterij uit in de buurt van hitte- of open vuur. Vermijd direct zonlicht.
- Slik de batterij niet in om chemische brandwonden te voorkomen.
- Houd de batterij buiten het bereik van kinderen.
- Wanneer het apparaat is uitgeschakeld en de RTC-batterij vol is, kunnen de tijdstellingen 6 maanden worden bewaard.
- Laad het apparaat vóór het eerste gebruik meer dan 2,5 uur op in de uit-stand.
- De spanning van de batterij is 3,85 V en de batterijcapaciteit is 2100 mAh.
- De batterij is gecertificeerd met UL2054.

Onderhoud

- Als het product niet goed werkt, neem dan contact op met uw leverancier of het dichtstbijzijnde servicecentrum. Wij aanvaarden geen verantwoordelijkheid voor problemen die zijn veroorzaakt door ongeautoriseerde reparatie of onderhoud.

- Een paar componenten van het apparaat (o.a. elektrolytische condensator) vereisen regelmatige vervanging. De gemiddelde levensduur varieert, dus periodieke controle wordt aanbevolen. Neem contact op met uw leverancier voor meer informatie.
- Veeg het apparaat voorzichtig schoon met een schone doek en, indien nodig, een kleine hoeveelheid ethanol.
- Als de apparatuur wordt gebruikt op een manier die niet door de fabrikant is gespecificeerd, kan de bescherming van het apparaat worden aangetast.

Kalibratieservice

- We raden u aan het apparaat één keer per jaar terug te sturen voor kalibratie en contact op te nemen met de plaatselijke leverancier voor informatie over onderhoudspunten. Kijk voor meer gedetailleerde kalibratieservices op <https://www.hikmicrotech.com/en/calibrationservices/2>.

Gebruiksomgeving

- Stel het apparaat niet bloot aan extreem warme, koude, stoffige, corrosieve, zout-alkalische of vochtige omgevingen. Zorg dat de gebruiksomgeving voldoet aan de vereisten van het apparaat. Het apparaat werkt bij een temperatuur van -10 °C tot 50 °C en een luchtvochtigheid van 95% of minder.
- Dit apparaat kan alleen veilig worden gebruikt onder 2000 meter boven de zeespiegel.
- Plaats het apparaat in een droge en goed geventileerde omgeving.
- Stel het apparaat NIET bloot aan hoge elektromagnetische straling of stoffige omgevingen.
- Richt de lens NIET op de zon of een ander fel licht.
- Wanneer laserapparatuur in gebruik is, zorg er dan voor dat de lens van het apparaat niet wordt blootgesteld aan de laserstraal, anders kan deze doorbranden.

- Het apparaat is geschikt voor gebruik binnens- en buitenshuis, maar stel het niet bloot aan vocht.
- Het beschermingsniveau is IP 54.
- De vervuilingsgraad is 2.

Technische ondersteuning

- De portal <https://www.hikmicrotech.com> helpt u als HIKMICRO-klant om het meeste uit uw HIKMICRO-producten te halen. De portal geeft u toegang tot ons ondersteuningsteam, software en documentatie, onderhoudscontacten, enz.

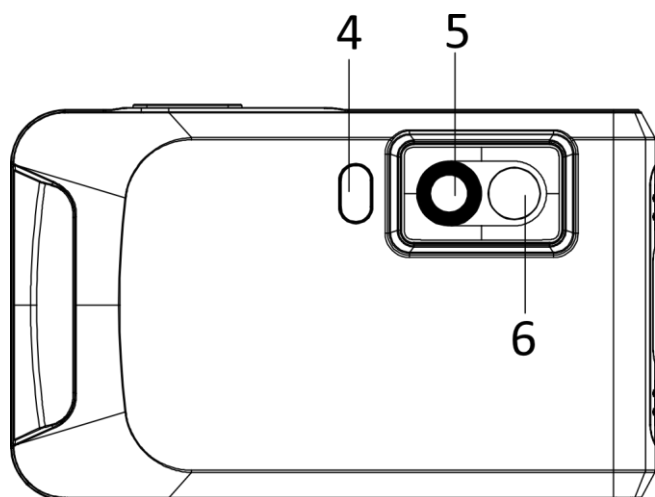
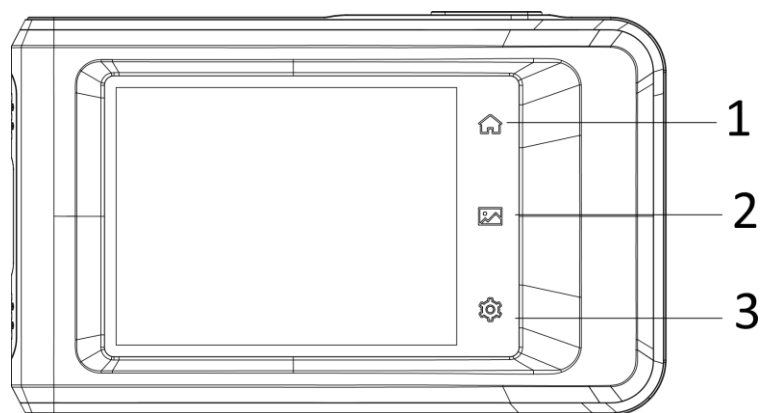
Noodgeval

- Als er rook, geur of geluid uit het apparaat komt, schakel het dan onmiddellijk uit, haal de stekker van het netsnoer uit het stopcontact en neem contact op met het servicecentrum.

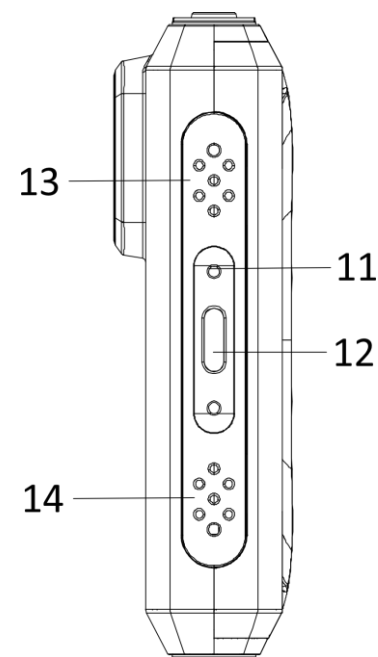
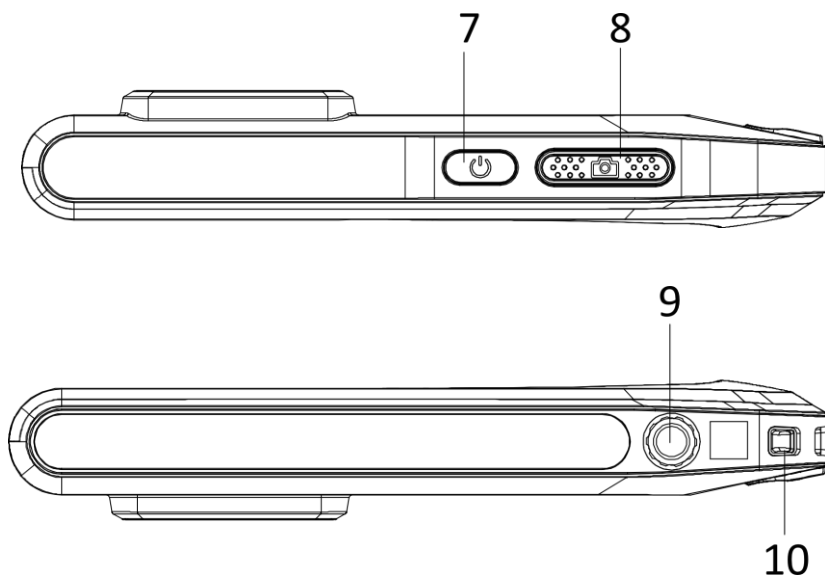
Adres fabrikant

Kamer 313, Unit B, Gebouw 2, 399 Danfeng Road, subdistrict Xixing, district Binjiang, Hangzhou, Zhejiang 310052, China
Hangzhou Microimage Software Co., Ltd.

MEDEDELING VAN NALEVING: De producten thermische serie kunnen zijn onderworpen aan exportcontroles in verschillende landen of regio's, inclusief zonder enige beperking de Verenigde Staten, de Europese Unie, het Verenigd Koninkrijk en/of andere lidstaten van de Overeenkomst van Wassenaar. Neem contact op met uw professionele juridische of nalevingsexpert of plaatselijke overheidsinstanties omtrent enige noodzakelijke vereisten voor een exportvergunning als u van plan bent de producten van de thermische serie over te dragen, te exporteren of te herexporteren tussen verschillende landen.



Nr.	Beskrivelse	Funktion
1	Starttast	Tryk for at vende tilbage til skærmen til livevisning.
2	Filtast	Tryk for at åbne albummer.
3	Indstillingstast	Tryk for at åbne skærmen til indstillinger.
4	Blinklampe	Oplys genstande, og udsend blinkende alarm.
5	Termisk objektiv	Se det termiske billede.
6	Optisk objektiv	Se det optiske billede.



<i>Nr.</i>	<i>Beskrivelse</i>	<i>Funktion</i>
7	Afbrydertast	Langt tryk for at tænde/slukke enheden.
8	Optagelsestast	<ul style="list-style-type: none"> ● Tryk på den i tilstanden Livevisning: Tag snapshots/stop optagelse ● Tryk på den i tilstanden Menu: Vend tilbage til skærmen til livevisning ● Langt tryk: Start optagelse
9	Beslag til trebenet stativ	Fastgør et trebenet stativ.
10	Fastgørelsespunkt til strop	Fastgør stroppen.
11	Kontrollampe	Vis opladningsstatus for enheden. <ul style="list-style-type: none"> ● Konstant rød: Oplader normalt ● Blinker rødt: Undtagelse i opladning ● Konstant grøn: Fuldt opladet
12	Grænseflade til type C	Oplad enheden, eller eksportér filer med et Type-C-kabel.

13	Brummer	Udsend hørbar alarm.
14	Mikrofon	Optag lyd.

Temperaturmåling

Med den indbyggede IR-detektor med høj følsomhed og højtydende sensor er intervallet for temperaturmålinger -20 °C til 400 °C (-4 °F til 752 °F) med en nøjagtighed i temperaturmålingen på ± 2 °C ($\pm 3,6$ °F) eller 2 %, når den omgivende temperatur er 15-35 °C (59-95 °F), og genstandens temperatur er over 0 °C (32 °F).

Rullemenu

I rullemenuen kan du kan justere lysstyrken og aktivere funktioner såsom Wi-fi, Bluetooth, Hotspot, Skærmstream, Lommelygte, Drej automatisk og Mørk/lys tilstand.

Tilslutning til klientsoftware

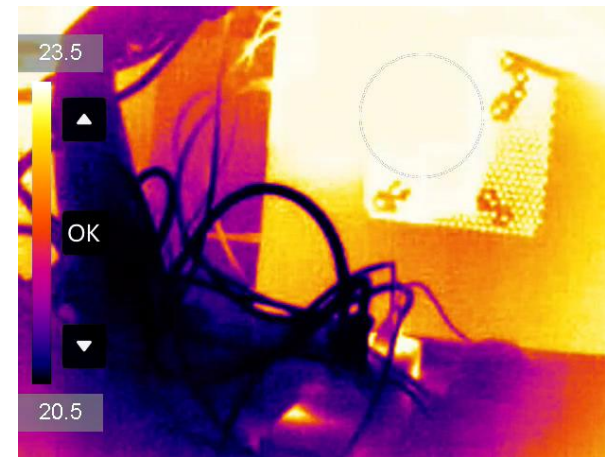
Du kan se livevisning, tage billeder og optage videoer via appen HIKMICRO Viewer på din telefon. Scan QR-koderne på dækslet for at downloade appen.

Og du kan hente HIKMICRO Analyser (<https://www.hikmicrotech.com>) for at analysere billeder professionelt offline og generere rapporter i et brugerdefineret format på din pc.

Billedjustering

Funktionen Niveau og spredning kan justeres manuelt eller automatisk for at opnå en god termisk effekt for bedre analyse af temperaturforskelle.

I automatisk tilstand justerer enheden automatisk parametrene for temperaturintervallet. I manuel tilstand kan du trykke på et interesseområde på skærmen eller trykke på pilene i venstre side af skærmen for at justere temperaturintervallet, der skal vises.



Bemærk: Dit kamera vil med jævnt mellemrum udføre selvkalibrering for at optimere billedkvaliteten og målenøjagtigheden. I denne proces sættes billedet på pause midlertidigt, og du hører et “klik”, når lukkeren bevæger sig foran detektoren. Beskeden “Kalibrerer ...” vises øverst i midten på skærmen, mens enheden kalibrerer sig selv. Der foretages selvkalibrering hyppigere under start eller i meget kolde eller varme omgivelser. Dette er en normal del af driften, der sikrer optimal drift for dit kamera.

Brugervejledning

Scan QR-koden for at hente brugervejledningen med detaljeret vejledning i betjening.




Juridiske oplysninger

©2022 Hangzhou Microimage Software Co., Ltd. Alle rettigheder forbeholdes.

Om denne vejledning

Vejledningen indeholder anvisninger om brug og håndtering af produktet. Billeder, diagrammer, illustrationer og alle øvrige oplysninger herefter tjener kun som beskrivelse og forklaring. Oplysningerne i vejledningen er med forbehold for ændring uden varsel på grund af opdateringer af firmware eller andre årsager. Du kan finde den seneste udgave af vejledningen på webstedet for HIKMICRO (www.hikmicrotech.com/). Brug brugervejledningen under vejledning af og med hjælp fra fagfolk, der er uddannet i understøttelse af produktet.

Anerkendelse af varemærker

 HIKMICRO og andre af HIKMICRO's varemærker og logoer tilhører HIKMICRO i forskellige jurisdiktioner. Andre nævnte varemærker og logoer tilhører deres respektive ejere.

JURIDISK ANSVARFRASKRIVELSE


VEJLEDNINGEN OG DET HERI BESKREVNE PRODUKT, INKL. HARDWARE, SOFTWARE OG FIRMWARE, LEVERES I STØRST MULIGT OMFANG, DER ER TILLADT VED LOV, "SOM DET ER OG FOREFINDES" OG "MED ALLE DEFEKTER OG FEJL". HIKMICRO UDSTEDER INGEN GARANTIER, HVERKEN UDTRYKKELIGE ELLER UNDERFORSTÅEDE, INKL. UDEN BEGRÆNSNING, VEDRØRENDE SALGBARHED, TILFREDSSTILLENDE KVALITET ELLER EGNETHED TIL ET BESTEMT FORMÅL. DIN BRUG AF PRODUKTET SKER PÅ DIN EGEN RISIKO. UNDER INGEN OMSTÆNDIGHEDER ER HIKMICRO ANSVARLIG OVER FOR DIG FOR SÆRLIGE SKADER, HÆNDELIGE SKADER, FØLGESKADER ELLER INDIREKTE SKADER, INKL. BL.A., SKADER SOM FØLGE AF DRIFTSTAB, DRIFTSFORSTYRRELSER ELLER TAB AF DATA, BESKADIGELSE AF SYSTEMER ELLER TAB AF DOKUMENTATION, UANSET OM DET ER BASERET PÅ KONTRAKTBRUD, SKADEVOLDENDE HANDLINGER (HERUNDER UAGTSOMHED), PRODUKTANSVAR ELLER PÅ ANDEN MÅDE I FORBINDELSE MED BRUGEN AF PRODUKTET, SELVOM HIKMICRO ER BLEVET UNDERRETTET OM MULIGHEDEN FOR SÅDANNE SKADER.

DU ANERKENDER, AT INTERNETTET INDEHOLDER INDBYGGEDE SIKKERHEDSRISICI. HIKMICRO PÅTAGER SIG INTET ANSVAR FOR UNORMAL DRIFT, LÆKAGE AF PERSONLIGE OPLYSNINGER ELLER ANDRE SKADER SOM FØLGE AF CYBERANGREB, HACKERANGREB, VIRUSANGREB ELLER ANDRE INTERNETSikkerhedsrisici. HIKMICRO VIL DOG YDE EVENTUEL NØDVENDIG OG RETTIDIG TEKNISK SUPPORT. DU ERKLÆRER DIG INDFORSTÅET MED AT BRUGE PRODUKTET I OVERENSSTEMMELSE MED ALLE GÆLDENDE LOVE, OG DU ER ENEANSVARLIG FOR AT SIKRE, AT DIN BRUG OVERHOLDER AL GÆLDENDE LOVGIVNING. DU ER ISÆR ANSVARLIG FOR AT BRUGE PRODUKTET PÅ EN MÅDE, DER IKKE KRÆNKER TREDJEPARTERS RETTIGHEDER, HERUNDER, UDEN BEGRÆNSNINGER, RETTIGHEDER VEDRØRENDE OFFENTLIG OMTALE, INTELLEKTUELLE EJENDOMSRETTIGHEDER ELLER RETTIGHEDER VEDRØRENDE DATABESKYTTELSE OG ANDRE RETTIGHEDER VEDRØRENDE PERSONLIGE OPLYSNINGER. DU MÅ IKKE BRUGE PRODUKTET TIL FORBUDTE SLUTANVENDELSER, HERUNDER UDVIKLING ELLER FREMSTILLING AF MASSEØDELÆGGELSESVÅBEN, UDVIKLING ELLER PRODUKTION AF KEMISKE ELLER BIOLOGISKE VÅBEN, AKTIVITETER I DEN KONTEKST, DER ER KNYTTET TIL ATOMBOMBER ELLER USIKKERT REAKTORBRÆNDSSEL, ELLER SOM STØTTE TIL OVERTRÆDELSE AF MENNESKERETTIGHEDER.

I TILFÆLDE AF UOVERENSSTEMMELSE MELLEM VEJLEDNINGEN OG GÆLDENDE LOVGIVNING GÆLDER SIDSTNÆVNTE.

Lovgivningsmæssige oplysninger

EU-overensstemmelseserklæring

 Produktet og eventuelt medfølgende tilbehør er mærket "CE" og opfylder derfor gældende harmoniserede europæiske standarder anført i EU-direktiv 2014/30/EU (EMCD), EU-direktiv 2014/35/EU (LVD) og EU-direktiv 2011/65/EU (RoHS).

Begrænsninger i 5 GHz-båndet:

Når denne enhed fungerer i frekvensintervallet 5.150-5.350 MHz, er den i henhold til artikel 10 (10) i direktiv 2014/53/EU begrænset til indendørsbrug i: Østrig (AT), Belgien (BE), Bulgarien (BG), Kroatien (HR), Cypern (CY), Tjekkiet (CZ), Danmark (DK), Estland (EE), Finland (FI), Frankrig (FR), Tyskland (DE), Grækenland (EL), Ungarn (HU), Island (IS), Irland (IE), Italien (IT), Letland (LV), Liechtenstein (LI), Litauen (LT), Luxembourg (LU), Malta (MT), Nederlandene (NL), Nordirland (UK(NI)), Norge (NO), Polen (PL), Portugal (PT), Rumænien (RO), Slovakiet (SK), Slovenien (SI), Spanien (ES), Sverige (SE), Schweiz (CH) og Tyrkiet (TR).

Frekvensbåndene og de nominelle grænser for transmitteret effekt (udstrålet og/eller ledningsbåret) er følgende for radioenheden:

Wi-fi: 2,4 GHz (2,4-2,4835 GHz): 20 dBm. 5 GHz (5,15-5,25 GHz): 23 dBm. 5 GHz (5,25-5,35 GHz): 23 dBm. 5 GHz (5,47-5,725 GHz): 23 dBm. 5 GHz (5,725-5,85 GHz): 14 dBm

Bluetooth: 2,4 GHz (2,4-2,4835 GHz): 20 dBm

Brug en strømadapter fra en godkendt producent. Se de nærmere krav til strømforsyning i produktspecifikationerne.

Brug et batteri fra en godkendt producent. Se de nærmere krav til batterier i produktspecifikationen.



EU-direktiv 2012/19/EU (WEEE-direktivet): Produkter, der er mærket med dette symbol, kan ikke bortskaffes som almindeligt husholdningsaffald i EU. Med henblik på korrekt genbrug skal du aflevere produktet til din lokale leverandør ved køb af tilsvarende nyt udstyr eller aflevere det på et dertil indrettet indleveringssted. Find yderligere oplysninger på: www.recyclethis.info



Direktiv 2006/66/EF som ændret ved 2013/56/EU (batteridirektivet): Dette produkt indeholder et batteri, som ikke kan bortskaffes sammen med almindeligt

husholdningsaffald i EU. Find specifikke oplysninger om batteriet i produktokumentationen. Batteriet er mærket med dette symbol, som kan indeholde bogstaver, der indikerer indhold af kadmium (Cd), bly (Pb) eller kviksølv (Hg). Med henblik på korrekt genbrug skal du aflevere batteriet til din leverandør eller til et dertil indrettet indleveringssted. For yderligere oplysninger se: www.recyclethis.info.

Sikkerhedsanvisning

Disse anvisninger skal sikre, at brugeren kan anvende produktet korrekt og undgå fare eller tab af ejendom.

Love og bestemmelser

- Brug af dette produkt skal strengt overholde lokale bestemmelser for elektrisk sikkerhed.

Transport

- Opbevar enheden i den oprindelige eller en lignende emballage, når den skal transporteres.
- Gem al emballage efter udpakningen til senere brug. Du skal bruge den originale emballage til at returnere enheden til fabrikken, hvis der opstår fejl. Transport uden den originale emballage kan medføre skade på enheden, og virksomheden tager intet ansvar derfor.
- Tab ikke produktet, og udsæt det ikke for fysiske stød. Hold enheden væk fra magnetisk interferens.

Strømforsyning

- Indgangsspændingen skal overholde LPS (Limited Power Source) (3,85 V jævnstrøm, 570 mA) i henhold til standarden IEC 62368. Du kan finde nærmere oplysninger i de tekniske specifikationer.
- Kontrollér, at stikket er sat godt i stikkontakten.
- Slut IKKE flere enheder til én strømadapter for at undgå overhedning eller brandfare som følge af overbelastning.
- Brug en strømadapter fra en godkendt producent. Se de nærmere krav til strømforsyning i produktspecifikationerne.

Batteri

- Oplad enheden i 3 timer, før du bruger den første gang.
- Forkert brug eller udskiftning af batteriet kan resultere i fare for eksplosion. Udskift kun med samme eller tilsvarende type. Bortskaf brugte batterier i overensstemmelse med batteriproducentens

vejledning.

- Det indbyggede batteri kan ikke demonteres. Kontakt producenten, hvis du har brug for en reparation.
- Oplad IKKE andre batterityper med den medfølgende oplader. Sørg for, at der ikke befinder sig brændbare materialer inden for 2 m fra opladeren under opladning.
- Hvis batteriet skal opbevares i en længere periode, skal du sikre, at det oplades fuldt hvert halve år for at bevare batteriets ydeevne. Ellers kan der opstå skade.
- Brug et batteri fra en godkendt producent. Se de nærmere krav til batterier i produktspecifikationen.
- Batteriet må IKKE anbringes i nærheden af en varmekilde eller åben ild. Undgå direkte sollys.
- For at undgå kemisk forbrænding må batteriet IKKE sluges.
- Batteriet må IKKE anbringes inden for børns rækkevidde.
- Når enheden er slukket, og batteriet til realtidsuret er fuldt opladet, kan tidsindstillingerne bevares i 6 måneder.
- Oplad enheden ved første brug i mere end 2,5 timer i slukket tilstand.
- Batterispændingen er 3,85 V, og batterikapaciteten er 2100 mAh.
- Batteriet er certificeret af UL2054.

Vedligeholdelse

- Hvis produktet ikke virker korrekt, skal du kontakte din forhandler eller dit nærmeste servicecenter. Vi påtager os intet ansvar for problemer, der er forårsaget af uautoriseret reparation eller vedligeholdelse.
- Der er få enhedsdele (fx elektrolytkondensator), der skal udskiftes regelmæssigt. Den gennemsnitlige levetid varierer. Derfor er det nødvendigt at udføre regelmæssig kontrol. Kontakt din forhandler for nærmere oplysninger.
- Tør enheden forsigtigt af med en ren klud og en lille mængde ætanol, hvis det er nødvendigt.
- Hvis udstyret bruges på en måde, der ikke er angivet af producenten, kan den beskyttelse, der enheden giver, blive forringet.

Kalibreringstjeneste

- Vi anbefaler, at du returnerer enheden med henblik på kalibrering en gang om året. Kontakt din lokale forhandler for at få oplysninger om vedligeholdelsespunkter. Find mere detaljerede kalibreringstjenester på <https://www.hikmicrotech.com/en/calibrationservices/2>.

Driftsmiljø

- Enheten må IKKE utsattes for ekstremt varme, kolde, støvede, korroderende, salt- og alkaliholdige eller fugtige omgivelser. Kontrollér, at driftsmiljøet oppfyller enhedens krav. Driftstemperaturen skal være -10 °C til 50 °C (14 °F til 122 °F), og driftsluftfugtigheden skal være 95 % eller mindre.
- Denne enhed kan kun brukes sikkert i områder op til 2.000 meter over havets overflate.
- Anbring enheden i et tørt og veludluftet miljø.
- Enheten må IKKE utsattes for kraftig elektromagnetisk stråling eller støvfyldte miljøer.
- Objektivet må IKKE rettes mot solen eller et sterkt lys.
- Når der er et laserudstyr i bruk, skal det kontrolleres, at enhedens objektiv ikke utsattes for laserstrålen, ellers kan det brænde ud.
- Enheten er egnet til indendørs og udendørs bruk men må ikke utsattes for våde forhold.
- Beskyttelsesklassifisering er IP54.
- Forureningsgraden er 2.

Teknisk support

- Du kan som HIKMICRO-kunde få hjelp på portalen <https://www.hikmicrotech.com> til at få mest mulig ut af dine

HIKMICRO-produkter. På portalen får du adgang til vores supportteam, software og dokumentation, servicekontakter osv.

Nødsituation

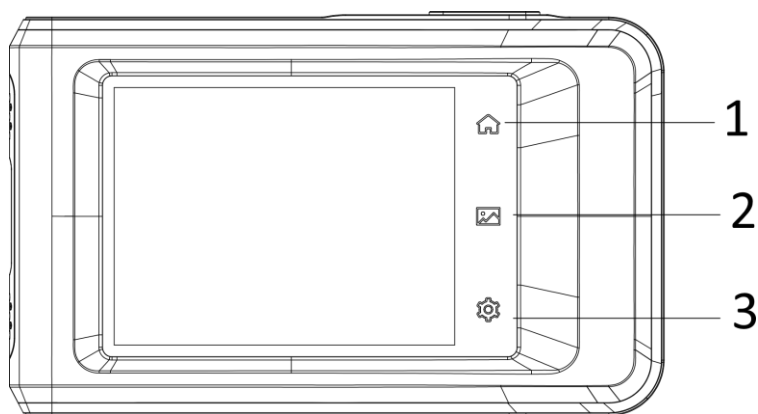
- Hvis enheden afgiver røg, lugt eller støy, skal du straks slukke for strømmen og trække strømkablet ud. Kontakt derefter servicecentret.

Producentens adresse

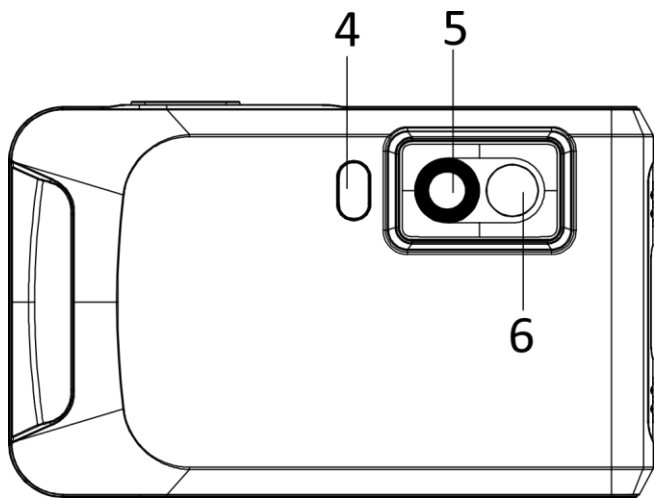
Værelse 313, Enhed B, Bygning 2, 399 Danfeng Vej, Xixing Underdistrikt, Binjiang Distrikt, Hangzhou, Zhejiang 310052, Kina Hangzhou Microimage Software Co., Ltd.

MEDDELELSE OM OVERENSSTEMMELSE: Produkterne i den termografiske serie kan være underlagt eksportkontrol i forskjellige lande eller områder, herunder, uden begrænsning, USA, EU, Storbritannien og/eller andre medlemslande i Wassenaar-aftalen. Kontakt din professionelle juraekspert, ekspert i overensstemmelse eller de lokale offentlige myndigheter for at få opplysninger om kravene for eksportlisens, hvis du har til hensikt at overføre, eksportere eller geneksportere enheder i den termiske serie mellom forskjellige lande.

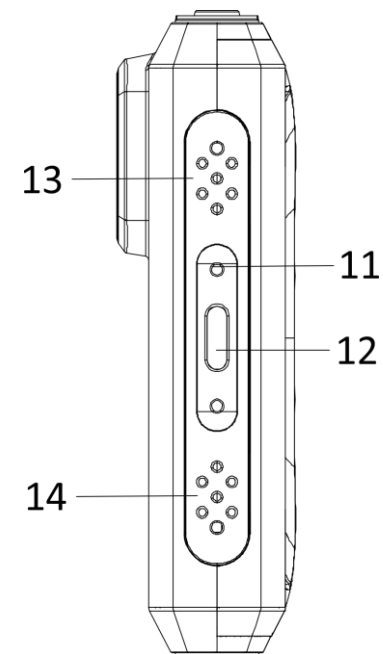
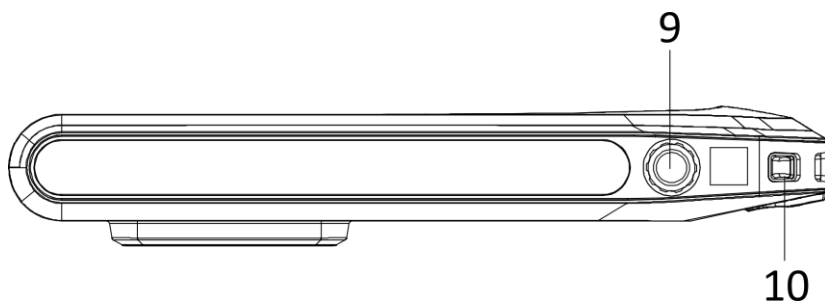
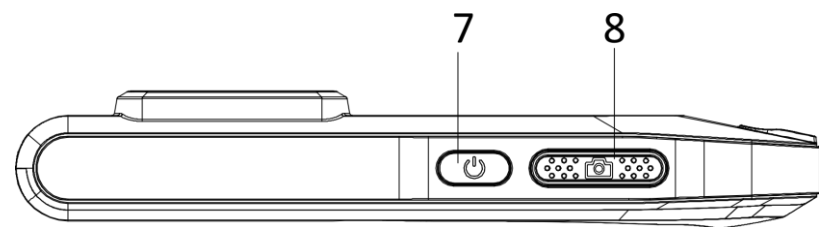
Norsk



No.	Beskrivelse	Virkemåte
1	Hjem-knapp	Trykk for å gå tilbake til grensesnittet med sanntidsvisning.
2	Filtast	Trykk for å åpne albumene.
3	Innstillingertast	Trykk for å åpne grensesnittet for innstillinger.
4	Lommelykt	Lys på objekter og bruk en



- | | | |
|---|---------------|--------------------------|
| | | blinkende alarm. |
| 5 | Termisk linse | Vis det termiske bildet. |
| 6 | Optisk linse | Vis det optiske bildet. |



No.	Beskrivelse	Virkemåte
7	Strømknapp	Hold nede for å skru enheten av/på.
8	Innspillingsknapp	<ul style="list-style-type: none"> ● Trykk i modus med sanntidsvisning: Ta stillbilder/stopp opptaket ● Trykk i menymodus: gå tilbake til grensesnittet med sanntidsvisning ● Hold: start opptak
9	Stativfeste	Monter stativet.
10	Festepunkt for stropp	Monter stroppen.
11	Indikator	<p>Angi ladestatusen til enheten.</p> <ul style="list-style-type: none"> ● Fast rødt: lader normalt ● Blinker rødt: ladeunntak ● Fast grønt: fulladet
12	Type C-grensesnitt	Lad enheten eller eksporter filene med Type-C-kabelen.
13	Summer	Spill av en lydalarm.
14	Mikrofon	Ta opp lyd.

Temperaturmåling

Med den innebygde høysensitive IR-detektoren og høyeffektive sensoren, er temperaturmålingsområdet -20 °C til 400 °C (-4 °F til 752 °F), og temperaturnøyaktigheten er $\pm 2\text{ °C}$ ($\pm 3,6\text{ °F}$) eller $\pm 2\%$ når omgivelsestemperaturen er 15 °C til 35 °C (59 °F til 95 °F) og objektets temperatur er over 0 °C (32 °F).

Nedtrekksmeny

Du kan justere lysstyrken i nedtrekksmenyen og aktivere funksjoner som Wi-Fi, Bluetooth, Hotspot, skjermkast, lommelykt, autorotasjon og mørk/lys modus.

Forbindelse til klientprogramvare

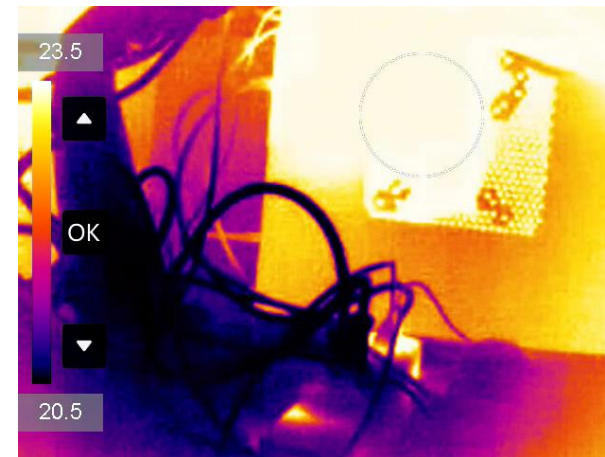
Du kan se live-visning, ta bilder og ta videoopptak via HIKMICRO Viewer-appen på telefonen din. Skann QR-kodene på omslaget for å laste ned appen.

Du kan laste ned HIKMICRO Analyzer (<https://www.hikmicrotech.com>) for profesjonell frakoblet analyse av bilder, og generere en egendefinert formatrapport på PC-en din.

Bildejustering

Nivå og spennvidde kan justeres manuelt eller automatisk for å oppnå en god termisk effekt og dermed få en bedre analyse av temperaturdifferansen.

I automodus justerer enheten parameterne for temperaturområde automatisk. I manuell modus kan du trykke på et område av skjermen som interesserer deg eller trykke på pilene på venstre side av skjermen for å justere temperaturintervallet til skjermen.



Merk: Kameraet ditt vil med jevne mellomrom utføre en selvkalibrering for å optimere bildekvaliteten og målenøyaktigheten. I denne prosessen vil bildet stoppe en kort stund, og du vil høre et «klikk» når en lukker beveger seg foran detektoren. Meldingen «Kalibrerer ...» vises øverst i midten av skjermen mens enheten kalibrerer seg selv. Selvkalibreringen vil være hyppigere under oppstart eller i svært kalde eller varme omgivelser. Dette er en normal del av driften for å sikre optimal ytelse for kameraet ditt.

Brukerhåndbok

Hvis du vil ha mer informasjon om bruken, kan du

skanne QR-koden for å laste ned brukerhåndboken.



Juridisk informasjon


©2022 Hangzhou Microimage Software Co., Ltd. Med enerett.

Om denne Brukerhåndboken

Denne brukerhåndboken forklarer hvordan produktet skal brukes og vedlikeholdes. Bilder, tabeller og all annen informasjon er kun ment som beskrivelser og forklaringer. Informasjonen i brukerhåndboken kan bli endret uten varsel, f.eks. på grunn av fastvareoppdateringer. Du finner den nyeste versjonen av denne håndboken på nettstedet til HIKMICRO (www.hikmicrotech.com/).

Bruk denne håndboken i kombinasjon med hjelp fra profesjonelle fagfolk når du bruker produktet.

Varemerkeinformasjon

 HIKMICRO og andre av HIKMICROs varemerker og logoer eies av HIKMICRO i forskjellige jurisdiksjoner.

Andre varemerker og logoer som presenteres, tilhører sine respektive eiere.

JURIDISK INFORMASJON

DENNE HÅNDBOKEN OG PRODUKTET DEN GJELDER FOR (MASKINVARE, FASTVARE OG PROGRAMVARE) LEVERES «SOM DET ER», INKLUDERT ALLE FEIL OG MANGLER, TIL DEN GRAD DETTE TILLATES AV GJELDENE LOVVERK. HIKMICRO GIR INGEN GARANTIER, HVERKEN DIREKTE ELLER UNDERFORSTÅTTE, OM BLANT ANNET SALGBARHET, TILFREDSSTILLENDE KVALITET ELLER EGNETHET FOR SPESIFIKKE FORMÅL. ALL BRUK AV PRODUKTET SKJER UTELUKKENDE PÅ DIN EGEN RISIKO. HIKMICRO ER IKKE UNDER NOEN OMSTENDIGHETER ANSVARLIGE OVERFOR DEG FOR EVENTUELLE SPESIELLE SKADER. FØLGESKADER, TILFELDIGE SKADER ELLER INDIREKTE SKADER, INKLUDERT BLANT ANNET TAP AV FORTJENESTE, AVBRUDD I FORRETNINGSDRIFT, TAP AV DATA, SKADER PÅ DATASYSTEMER ELLER TAP AV DOKUMENTASJON SOM OPPSTÅR I FORBINDELSE MED BRUKEN AV DETTE PRODUKTET, UAVHENGIG AV OM DETTE SKJER


GRUNNET KONTRAKTSBRUDD, FORSØMMELSE, PRODUKTFEIL ELLER ANNET, SELV NÅR HIKMICRO HAR BLITT VARSLET OM AT SLIKE SKADER KAN OPPSTÅ.

DU ERKJENNER AT SIKKERHETSRIKOE LIGGER I INTERNETTS NATUR, OG AT HIKMICRO IKKE TAR NOE ANSVAR FOR UNORMAL DRIFT, LEKKASJER AV PERSONVERN ELLER ANDRE SKADER SOM FØLGER AV CYBERANGREP, VIRUSINFISERING ELLER ANDRE INTERNETTRISIKOE. IMIDLERTID VIL HIKMICRO LEVERER TIDLIG TEKNISK SUPPORT HVIS NØDVENDIG.

DU GODTAR Å BRUKE DETTE PRODUKTET I SAMSVAR MED ALLE GJELDENE LOVER, OG AT DU ER ENEANSVARLIG FOR Å FORSIKRE DEG OM AT DIN BRUK SKJER I SAMSVAR MED GJELDENE LOVER. SPESIFIKT NEVNES AT DU ER ANSVARLIG FOR Å BRUKE DETTE PRODUKTET PÅ EN MÅTE SOM IKKE KRENKER RETTIGHETENE TIL TREDJEPARTER, BLANT ANNET RETT TIL PUBLISERING, IMMATERIELLE EIENDOMSRETTIGHETER ELLER LOVER OM DATABESKYTTELSE OG PERSONVERN. DU SKAL IKKE BRUKE PRODUKTET TIL ULOVLIGE FORMÅL, BLANT ANNET UTVIKLING ELLER PRODUKSJON AV MASSEØDELEGGELSESVÅPEN, UTVIKLING ELLER PRODUKSJON AV KJEMISKE OG BIOLOGISKE VÅPEN, ENHVER FORM FOR AKTIVITET KNYTTET TIL KJERNEVÅPEN ELLER UTRYGG BRUK AV KJERNEFYSISK MATERIALE ELLER I FORBINDELSE MED BRUDD PÅ MENNESKERETTIGHETENE. HVIS DET OPPSTÅR KONFLIKTER MELLOM BRUKERHÅNDBOKEN OG GJELDENE LOVVERK, ER DET SISTNEVNTE SOM GJELDER.

Regulatorisk informasjon

Samsvarserklæring for EU

 Dette produktet og – hvis aktuelt, også det medfølgende tilbehøret – er “CE”-merket og samsvarer derfor med de gjeldende harmoniserte europeiske standardene som er oppført under direktiv 2014/30/EU (EMCD), direktiv 2014/35/EU (LVD), direktiv. 2011/65/EU (RoHS).

Restriksjoner i 5 GHz-båndet:

I henhold til artikkel 10 (10) i direktiv 2014/53/EU: Når denne enheten brukes i frekvensområdet 5150 til 5350 MHz, er enheten begrenset til innendørs bruk i: Østerrike (AT), Belgia (BE), Bulgaria (BG), Kroatia (HR), Kypros (CY), Tsjekkia (CZ), Danmark (DK), Estland (EE), Finland (FI), Frankrike (FR), Tyskland (DE), Hellas (EL), Ungarn (HU), Island (IS), Irland (IE), Italia (IT), Latvia (LV), Liechtenstein (LI), Litauen (LT),

Luxembourg (LU), Malta (MT), Nederland (NL), Nord-Irland (UK(NI)), Norge (NO), Polen (PL), Portugal (PT), Romania (RO), Slovakia (SK), Slovenia (SI), Spania (ES), Sverige (SE), Sveits (CH) og Tyrkia (TR).

For denne radioenheten gjelder følgende frekvensbånd og nominelle verdier for utstrålt effekt (utstrålt og ledet):

Wi-Fi: 2,4 GHz (2,4 GHz til 2,4835 GHz): 20 dBm; 5 GHz (5,15 GHz til 5,25 GHz): 23 dBm; 5 GHz (5,25 GHz til 5,35 GHz): 23 dBm; 5 GHz (5,47 GHz til 5,725GHz): 23 dBm; 5 GHz (5,725 GHz til 5,85 GHz): 14 dBm

Bluetooth: 2,4 GHz (2,4 GHz til 2,4835 GHz): 20 dBm

Bruk strømadapteret levert av en godkjent produsent. Les produktinformasjonen for mer informasjon om strømkravene.

Bruk batterier levert av en godkjent produsent. Se produktspesifikasjonene for detaljer om batterikrav.



Direktiv 2012/19/EU (WEEE-direktiv): Produkter som er merket med dette symbolet kan ikke kastes som restavfall innenfor EU. Produktet skal returneres for resirkulering, enten til en forhandler/leverandør eller på en miljøstasjon eller et lignende, godkjent mottakssted. For mer informasjon, se www.recyclethis.info



Direktiv 2006/66/EC og tillegg 2013/56/EU (batteridirektiv): Dette produktet inneholder et batteri som ikke kan kastes som restavfall innenfor EU. Se produktinformasjonen for spesifikk informasjon om batteriet. Batteriet er merket med dette symbolet, som også kan inneholde bokstaver for å indikere at det inneholder kadmium (Cd), bly (Pb) eller kvikksølv (Hg). Batteriet skal returneres for resirkulering, enten til en forhandler/leverandør eller til et godkjent mottakssted. For mer informasjon, se www.recyclethis.info.

Sikkerhetsinstruksjoner

Formålet med disse instruksjonene er at brukeren skal kunne bruke produktet riktig for å unngå skade og tap av eiendom.

Lover og forskrifter

- Bruk av produktet må være i fullstendig samsvar med lokale sikkerhetsregulering for elektrisitet.

Transport

- Enheten skal oppbevares i den originale emballasjen (eller lignende) under transport.
- Oppbevar all emballasje etter åpning for fremtidig bruk. I tilfelle det oppstår feil, må du returnere enheten til fabrikken i den originale emballasjen. Transport uten den originale emballasjen kan føre til skader på enheter, et ansvar som ikke dekkes av selskapet.
- Produktet må ikke slippes i bakken eller utsettes for fysiske støt. Hold enheten borte fra magnetiske forstyrrelser.

Strømforsyning

- Inngangsspenningen må imøtekomme Begrenset strømkilde (3,85 VDC, 570 mA), i henhold til IEC62368-standarden. Les den tekniske dokumentasjonen for mer informasjon.
- Sørg for at kontakten er satt riktig inn i stikkkontakten.
- Koble IKKE flere enheter til ett strømadapter. Overbelastning av adaptere kan føre til overoppheting og brannfare.
- Bruk strømadapteret levert av en godkjent produsent. Les produktinformasjonen for mer informasjon om strømkravene.

Batteri

- Lad enheten i 3 timer før du bruker den for første gang.
- Feil bruk eller bytte av batteriet kan medføre eksplosjonsfare. Erstatt det kun med samme eller tilsvarende type. Avhending av brukte batterier skjer i samsvar med instruksjonene gitt av batteriprodusenten.
- Det innebyggede batteriet kan ikke demonteres. Kontakt produsenten for reparasjoner ved behov.
- Ikke lad andre batterityper med den leverte laderen. Bekreft at det ikke finnes brennbart materiale innenfor 2 m fra laderen under lading.
- Ved langvarig lagring må batteriet fullades hvert halvår for å bevare batterikvaliteten. Hvis ikke kan det oppstå skader.
- Bruk batterier levert av en godkjent produsent. Se produktspesifikasjonene for detaljer om batterikrav.
- IKKE plasser batteriet i nærheten av oppvarming eller åpen ild. Unngå direkte sollys.
- IKKE svelg batteriet for å unngå kjemiske brannskader.
- IKKE plasser batteriet i nærheten av barn.
- Når enheten er slått av og RTC-batteriet er fullt, kan tidsinnstillingene beholdes i seks måneder.
- Ved førstegangs bruk må enheten lades i mer enn 2,5 timer mens

den er skrudd av.

- Batterispenningen er 3,85 V, og batterikapasiteten er 2100 mAh.
- Batteriet er sertifisert i henhold til UL2054.

Vedlikehold

- Hvis produktet ikke fungerer som det skal, må du kontakte forhandleren eller nærmeste servicesenter. Vi har ikke noe som helst ansvar for problemer forbundet med uautorisert reparasjon eller vedlikehold.
- Enkelte komponenter (f.eks. den elektrolytiske kondensatoren) må skiftes ut jevnlig. Levetiden kan variere, så det anbefales at det utføres periodiske kontroller. Kontakt forhandleren for mer informasjon.
- Tørk forsiktig av enheten med en ren klut og en liten mengde etanol ved behov.
- Hvis enheten brukes på måter som ikke støttes av produsenten, kan enheten og funksjonene dens forringes.

Kalibreringstjeneste

- Vi anbefaler at du sender enheten tilbake for kalibrering én gang i året. Kontakt din lokale forhandler for å få informasjon om serviceleverandører. For mer detaljerte kalibreringstjenester, se <https://www.hikmicrotech.com/en/calibrationservices/2>.

Bruksomgivelser

- IKKE utsett utstyret for ekstrem varme, kulde, støv, korroderende, saltholdige eller alkaliske miljøer eller fuktige miljøer. Sørg for at bruksomgivelsene oppfyller kravene til enheten. Brukstemperaturen skal være fra -10 °C til 50 °C (14 °F til 122 °F), og luftfuktigheten skal være 95 % eller lavere.
- Denne enheten kan bare brukes trygt lavere enn 2000 meter over havoverflaten.
- Plasser enheten i et tørt og godt ventilert miljø.
- IKKE eksponer enheten for høy elektromagnetisk stråling eller

støvede miljøer.

- Linsen må IKKE rettes mot solen eller andre sterke lyskilder.
- Når laserutstyr er i bruk, må det sørges for at enhetens linse ikke eksponeres for laserstrålen for å unngå at den brenner ut.
- Enheten er egnet for innendørs og utendørs bruk, men den tåler ikke fukt.
- Beskyttelsesnivået er IP 54.
- Forurensningsgraden er 2.

Teknisk støtte

- På <https://www.hikmicrotech.com> kan kundene få hjelp med å få mest mulig ut av HIKMICRO-produktene sine. Portalen gir tilgang til støttetteamet, programvare og dokumentasjon, tjenestekontrakter o.l.

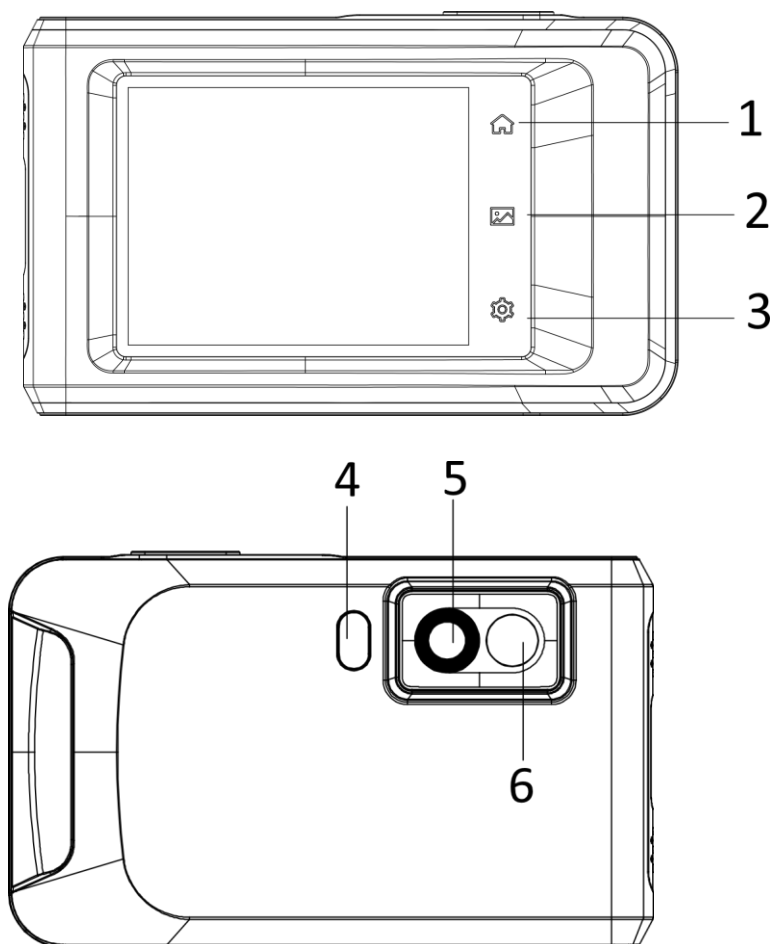
Nød

- Hvis det kommer røyk, lukt eller støy fra enheten, må du øyeblikkelig skru av strømmen, trekke ut strømledningen og kontakte et servicesenter.

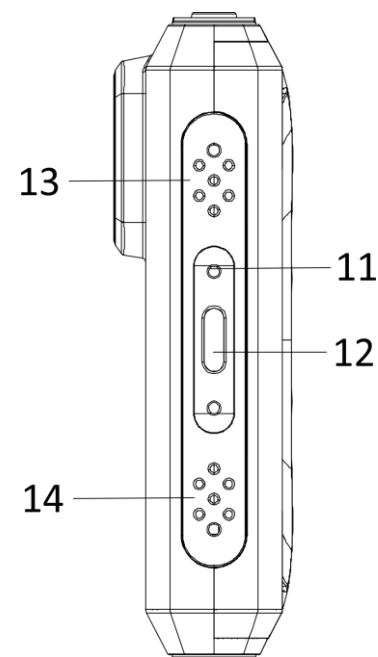
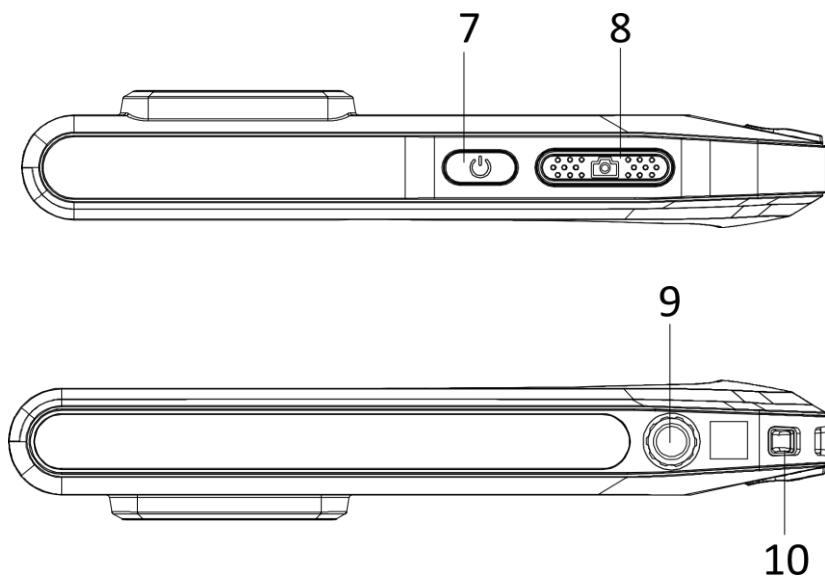
Produsentens adresse

Rom 313, enhet B, bygning 2, 399 Danfeng-veien, Xixing Subdistrict, Binjiang-distriktet, Hangzhou, Zhejiang 310052, Kina
Hangzhou Microimage Software Co., Ltd.

MERKNAD OM SAMSVAR: Produktene i termoserien kan bli underlagt eksportkontroller i forskjellige land eller regioner, inkludert, uten begrensning, USA, Den europeiske union, Storbritannia og Nord-Irland og/eller andre medlemsland i Wassenaar-avtalen. Snakk med din profesjonelle juridiske ekspert eller samsvareksperter, eller lokale myndigheter for eventuelle nødvendige eksportlisenskrav hvis du ønsker å overføre, eksportere, re-eksportere termoserie-produkter mellom forskjellige land.



<i>Nro</i>	<i>Kuvaus</i>	<i>Toiminto</i>
1	Koti-painike	Palaa live-näkymään napauttamalla.
2	Tiedosto-painike	Siirry albumeihin napauttamalla.
3	Asetukset-painike	Siirry asetusnäyttöön napauttamalla.
4	Taskulamppu	Valaisee kohteita ja tuottaa vilkkuvan hälytyksen.
5	Lämpölinssi	Katso lämpökuvaa.
6	Optinen linssi	Katso optista kuvaa.



<i>Nro</i>	<i>Kuvaus</i>	<i>Toiminto</i>
7	Virtapainike	Kytke laitteen virta päälle / pois päältä pitämällä painettuna.
8	Kuvauspainike	<ul style="list-style-type: none"> ● Paina live-näkymätilassa: kaappaa tilannekuvia / pysäytä tallennus ● Paina valikkotilassa: palaa live-näkymään ● Pidä painettuna: käynnistä tallennus
9	Kolmijalan liitäntä	Kolmijalan kiinnittämiseen.
10	Hihnan kiinnityspiste	Hihnan kiinnittämiseen.
11	Merkkivalo	Ilmaisee laitteen lataustilan. <ul style="list-style-type: none"> ● Punainen valo: lataa normaalisti ● Vilkuva punainen: latauspoikkeus ● Vihreä valo: ladattu täyteen
12	Type-C-liitäntä	Lataa laite tai vie tiedostoja Type-C-liitännän avulla.
13	Summeri	Äänihälytystä varten.

Lämpötilan mittaus

Sisäänrakennettua herkkää infrapuna-anturia ja suorituskykyistä sensoria käytettäessä lämpötilan mittausalue on $-20-400\text{ °C}$ ($-4-752\text{ °F}$) ja tarkkuus $\pm 2\text{ °C}$ ($\pm 3,6\text{ °F}$) tai 2 %, kun ympäristön lämpötila on $15-35\text{ °C}$ ($59-95\text{ °F}$) ja kohteen lämpötila on yli 0 °C (32 °F).

Alaspäin pyyhkäisemällä avattava valikko

Voit säätää alaspäin pyyhkäisemällä avattavasta valikosta kirkkautta ja ottaa käyttöön Wi-Fin, Bluetoothin, yhteyspisteen, ruutukaappauksen, taskulampun, automaattisen kierron ja tumman/kirkkaan tilan kaltaisia toimintoja.

Asiakasohjelman yhteys

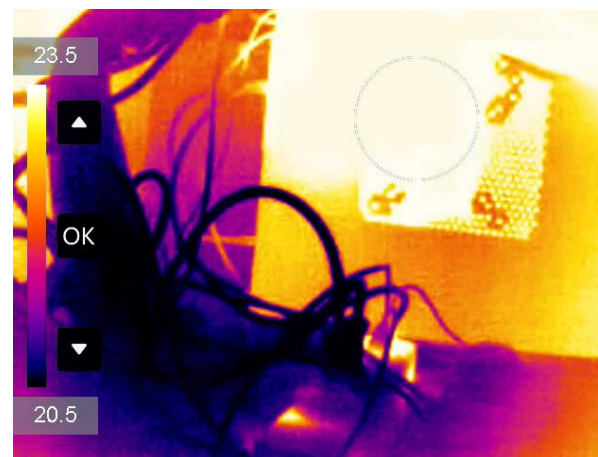
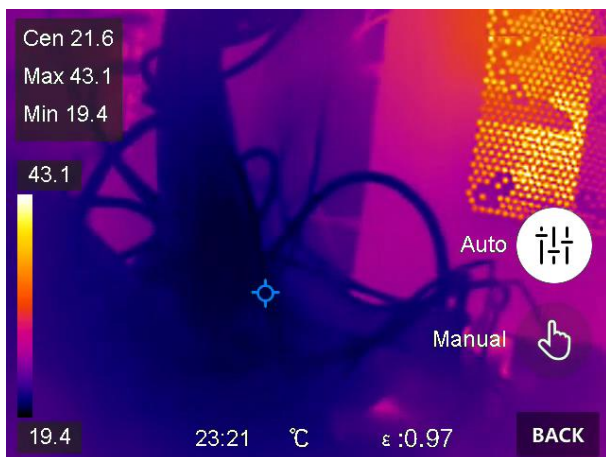
Voit katsoa live-näkymää, kaapata tilannekuvia ja tallentaa videoita puhelimesi HIKMICRO Viewer -sovelluksella. Lataa sovellus skannaamalla kannessa oleva QR-koodi.

Voit myös ladata HIKMICRO Analyzer -ohjelman (<https://www.hikmicrotech.com>) kuvien ammattimaiseen analysointiin offline-tilassa ja mukautetun muotoisen raportin luomiseen tietokoneella.

Kuvan säädöt

Taso ja väli voidaan säätää manuaalisesti tai automaattisesti hyvän lämpövaikutuksen saavuttamiseksi parempaa lämpötilaeron analysointia varten.

Automaattitilassa laite säätää lämpötila-alueen parametrit automaattisesti. Manuaalisessa tilassa voit napauttaa haluamaasi näytön aluetta tai näytön vasemmalla puolella olevia nuolia säätääksesi näytettävän lämpötila-alueen.



Huomautus: Kamera kalibroi itsensä ajoittain kuvanlaadun ja mittaustarkkuuden optimoimiseksi. Tässä prosessissa kuva keskeytyy lyhyeksi aikaa ja kuulet napsahduksen, kun suljin liikkuu tunnistimen edessä. Näytön keskellä yläosassa näkyy ilmoitus “Kalibroidaan...”, kun laite kalibroi itseään. Itsekalibrointi tapahtuu useammin käynnistyksen aikana tai erittäin kylmissä tai kuumissa ympäristöissä. Tämä on normaali osa toimintaa ja varmistaa kameran optimaalisen suorituskyvyn.

Käyttöopas

Katso yksityiskohtaiset käyttöohjeet käyttöoppaasta, jonka saat skannaamalla QR-koodin.




Oikeudelliset tiedot

©2022 Hangzhou Microimage Software Co., Ltd. Kaikki oikeudet pidätetään.

Tietoa käyttöohjeesta

Käyttöohjeessa on ohjeita tuotteen käyttämiseen ja hallintaan liittyen. Kuvat, kaaviot ja muut tiedot ovat tästä eteenpäin ainoastaan kuvaus- ja selitystarkoituksiin. Käyttöohjeen sisältämiä tietoja voidaan muuttaa ilman erillistä ilmoitusta laiteohjelmiston päivityksen vuoksi tai muusta syystä. Etsi tämän käyttöoppaan viimeisin versio HIKMICRO-verkkosivustolta (www.hikmicrotech.com/). Käytä tätä käyttöopasta ohjeena ja tuotteen käyttöön koulutettujen ammattilaisten apuna.

Tavaramerkkien tunnustaminen

 **HIKMICRO** ja muut HIKMICRO-yhtiön tavaramerkit ja logot ovat HIKMICRO-yhtiön omaisuutta eri lainkäyttöalueilla. Muut mainitut tavaramerkit ja logot ovat omistajiensa omaisuutta.


VASTUUVAPAUSLAUSEKE

TÄMÄ KÄYTTÖOPAS JA KUVATTU TUOTE (SISÄLTÄÄ LAITTEISTON,

OHJELMISTON JA LAITEOHJELMISTON) TOIMITETAAN SELLAISENAAN KAIKKINE VIKOINEEN JA VIRHEINEEN SIINÄ MÄÄRIN KUIN SOVELLETTAVAT LAIT SEN SALLIVAT. HIKMICRO EI ANNA MITÄÄN NIMEENOMAISIA TAI EPÄSUORIA TAKUITA, MUKAAN LUKIEN NÄIHIN KUITENKAAN RAJOITTUMATTA, MYYNTIKELPOISUUS, TYDYTTÄVÄ LAATU TAI SOVELTUVUUS TIETTYYN KÄYTTÖTARKOITUKSEEN. TUOTTEEN KÄYTTÖ ON TÄYSIN OMALLA VASTUULLASI. HIKMICRO EI OLE MISSÄÄN TAPAUKSESSA VASTUUSSA SINULLE MISTÄÄN TUOTTEEN KÄYTTÄMISEEN LIITTYVISTÄ ERITYISISTÄ, SEURAAMUKSELLISISTA, TAHATTOMISTA TAI EPÄSUORISTA VAHINGOISTA, MUKAAN LUKIEN MUIDEN LISÄKSI LIIKETOIMINNAN TUOTON MENETTÄMINEN, LIIKETOIMINNAN KESKEYTYMINEN, TIETOJEN MENETTÄMINEN, JÄRJESTELMIEN VAHINGOITTUMINEN, DOKUMENTAATION MENETTÄMINEN, RIIPPUMATTA SIITÄ, ONKO KYSEESSÄ SOPIMUSRIKKOMUS, VAHINKO (MUKAAN LUKIEN HUOLIMATTOMUUS), TUOTEVASTUU TAI MUU, VAIKKA HIKMICROLLE OLISI ILMOITETTU NÄIDEN VAHINKOJEN TAI MENETYSTEN MAHDOLLISUUDESTA. HYVÄKSYT, ETTÄ INTERNET SISÄLTÄÄ LUONNOSTAAN TIETOTURVARISKEJÄ, EIKÄ HIKMICRO OLE VASTUUSSA EPÄNORMAALISTA TOIMINNASTA, YKSITYISTIETOJEN VUOTAMISESTA TAI MUISTA VAHINGOISTA, JOTKA JOHTUVAT TIETOVERKKOHYÖKKÄYKSISTÄ, HAKKERIHYÖKKÄYKSISTÄ, VIRUSTARTUNNASTA TAI MUISTA TIETOTURVARISKEISTÄ, MUTTA HIKMICRO TARJOAA TARVITTAESSA TEKNISTÄ TUKEA. SUOSTUT KÄYTTÄMÄÄN TÄTÄ TUOTETTA KAIKKIEN SOVELLETTAVISSA OLEVIEN LAKIEN MUKAISESTI, JA OLET YKSIN VASTUUSSA SEN VARMISTAMISESTA, ETTÄ KÄYTTÖSI NOUDATTAO SOVELLETTAVISSA OLEVAA LAKIA. OLET ERITYISESTI VASTUUSSA TÄMÄN TUOTTEEN KÄYTTÄMISESTÄ SELLAISELLA TAVALLA, ETTÄ KÄYTTÖ EI RIKO KOLMANSIEN OSAPUOLTEN OIKEUKSIA, MUKAAN LUKIEN MUTTA NÄIHIN RAJOITTUMATTA, JULKAISUOIKEUS, IMMATERIAALIOIKEUDET TAI TIETOSUOJA JA MUUT YKSITYISYYDEN SUOJAT. SINULLA EI OLE LUPAA KÄYTTÄÄ TÄTÄ TUOTETTA MIHINKÄÄN KIELLETTYYN TARKOITUKSEEN, MUKAAN LUKIEN JOUKKOTUHOASEIDEN KEHITYS TAI TUOTANTO, KEMIAALLISTEN TAI BIOLOGISTEN ASEIDEN KEHITYS TAI TUOTANTO TAI MIHINKÄÄN TOIMINTOIHIN, JOTKA LIITTYVÄT MIHINKÄÄN YDINASEESEEN TAI VAARALLISEEN YDINPOLTOAINEKIERTOON TAI IHMISOIKEUKSIEN RIKKOMISEN TUKEMISEEN. MIKÄLI TÄMÄ KÄYTTÖOPAS JA SOVELLETTAVA LAKI OVAT RISTIRIIDASSA, SOVELLETAAN JÄLKIMMÄISTÄ.

Sääntelyä koskevat tiedot

EU-vaatimustenmukaisuusvakuutus

 Tämä tuote ja mahdolliset lisävarusteet on merkitty CE-merkinnällä ja noudattavat sovellettavia yhdenmukaistettuja eurooppalaisia standardeja, jotka on luettelut direktiivissä 2014/30/EU (EMCD), direktiivissä 2014/35/EU (LVD) ja direktiivissä 2011/65/EU (RoHS).

Rajoitukset 5 GHz:n taajuusalueella:

Direktiivin 2014/53/EU 10 (10) artiklan mukaan, kun käyttö tapahtuu taajuusalueella 5150–5350 MHz, tämä laite on rajoitettu sisäkäyttöön seuraavissa maissa: Itävalta (AT), Belgia (BE), Bulgaria (BG), Kroatia (HR), Kypros (CY), Tšekki (CZ), Tanska (DK), Viro (EE), Suomi (FI), Ranska (FR), Saksa (DE), Kreikka (EL), Unkari (HU), Islanti (IS), Irlanti (IE), Italia (IT), Latvia (LV), Liechtenstein (LI), Liettua (LT), Luxemburg (LU), Malta (MT), Alankomaat (NL), Pohjois-Irlanti (UK(NI)), Norja (NO), Puola (PL), Portugali (PT), Romania (RO), Slovakia (SK), Slovenia (SI), Espanja (ES), Ruotsi (SE), Sveitsi (CH) ja Turkki (TR).

Tähän radiolaitteeseen sovellettavat taajuuskaistat ja lähetetyn tehon (säteilevän ja/tai voimalinjaperäisen) nimellisrajat ovat seuraavat:

Wi-Fi: 2,4 GHz (2,4–2,4835 GHz): 20 dBm; 5 GHz (5,15–5,25 GHz): 23 dBm; 5 GHz (5,25–5,35 GHz): 23 dBm; 5 GHz (5,47–5,725 GHz): 23 dBm; 5 GHz (5,725–5,85 GHz): 14 dBm

Bluetooth: 2,4 GHz (2,4–2,4835 GHz): 20 dBm

Käytä pätevän valmistajan toimittamaa virtasovitinta. Tuotteen teknisissä tiedoissa on lisätietoa virtaa koskevista vaatimuksista.

Käytä pätevän valmistajan toimittamaa akkua. Tuotteen teknisissä tiedoissa on lisätietoa akkua koskevista vaatimuksista.



Direktiivi 2012/19/EU (WEEE-direktiivi): Tällä symbolilla merkityjä tuotteita ei saa hävittää lajittelemattoman yhdyskuntajätteen mukana Euroopan unionissa. Kierrätä tuote asianmukaisesti palauttamalla se paikalliselle myyjälle vastaavan uuden laitteen hankkimisen yhteydessä tai viemällä se asianmukaiseen keräyspisteeseen. Lue lisää osoitteesta www.recyclethis.info



Direktiivi 2006/66/EY ja sen muutosdirektiivi 2013/56/EU (paristodirektiivi): Tässä tuotteessa on paristo tai akku, jota ei saa hävittää lajittelemattoman yhdyskuntajätteen mukana

Euroopan unionissa. Lisätietoja paristosta tai akusta on tuotteen asiakirjoissa. Paristo tai akku on merkitty tällä symbolilla, ja siihen voi sisältyä käytetyn aineen eli kadmiumin (Cd), lyijyn (Pb) tai elohopean (Hg) kirjainmerkintä. Kierrätä paristo tai akku asianmukaisesti viemällä se myyjälle tai asianmukaiseen keräyspisteeseen. Lisätietoja: www.recyclethis.info.

Turvallisuusohjeet

Näiden ohjeiden tarkoituksena on varmistaa, että käyttäjä voi käyttää laitetta oikein ja välttää vaaratilanteet tai omaisuusvahingot.

Lait ja määräykset

- Tuotteen käytössä on noudatettava tarkasti paikallisia sähköturvallisuusmääräyksiä.

Kuljetus

- Säilytä laitetta alkuperäispakkauksessaan tai sitä vastaavassa pakkauksessa, kun kuljetat sitä.
- Säilytä kaikki pakkaukset myöhempää käyttöä varten. Jos laitteeseen tulee vika, laite on palautettava tehtaalle alkuperäispakkauksessaan. Kuljettaminen muussa kuin alkuperäispakkauksessa voi johtaa laitteen vahingoittumiseen, eikä yrittäjä ota siitä mitään vastuuta.
- Älä pudota tuotetta tai altista sitä iskuille. Pidä laite loitolla magneettisten häiriöiden lähteistä.

Virtalähde

- Tulojännitteen on vastattava LPS-virtalähteelle (3,85 V DC, 570 mA) asetettuja vaatimuksia IEC62368-standardin mukaisesti. Lisätietoa on tuotteen teknisissä tiedoissa.
- Varmista, että pistoke on liitetty oikein pistorasiaan.
- ÄLÄ liitä useita laitteita samaan virtasovittimeen ylikuormituksesta aiheutuvan tulipalovaaran välttämiseksi.
- Käytä pätevän valmistajan toimittamaa virtasovitinta. Tuotteen teknisissä tiedoissa on lisätietoa virtaa koskevista vaatimuksista.

Akku

- Lataa laitetta 3 tuntia ennen ensimmäistä käyttökertaa.
- Akun tai pariston virheellinen käyttö tai vaihtaminen voi aiheuttaa räjähdysvaaran. Vaihda akku tai paristo ainoastaan samanlaiseen tai

vastaavaan tuotteeseen. Hävitä käytetyt akut ja paristot valmistajan antamien ohjeiden mukaisesti.

- Sisäänrakennettua akkua ei voi irrottaa. Ota yhteyttä valmistajaan, jos se vaatii korjauksia.
- Älä lataa muita akkutyyppisiä mukana toimitetulla laturilla. Varmista, että kahden metrin säteellä laturista ei ole syttyvää materiaalia latauksen aikana.
- Kun akkua varastoidaan pitkän aikaa, varmista, että se ladataan täyteen puolen vuoden välein. Näin varmistetaan akun suorituskyvyn säilyminen. Muuten voi syntyä vahinkoja.
- Käytä pätevän valmistajan toimittamaa akkua. Tuotteen teknisissä tiedoissa on lisätietoa akkua koskevista vaatimuksista.
- ÄLÄ laita akkua lämmönlähteen tai tulen lähelle. Vältä suoraa auringonvaloa.
- ÄLÄ nielaise akkua, sillä se voi aiheuttaa syöpymävammoja.
- ÄLÄ aseta akkua lasten ulottuville.
- Kun laite on kytketty pois päältä ja RTC-akku on ladattu täyteen, aika-asetukset säilyvät 6 kuukauden ajan.
- Lataa laitetta ensimmäisellä käyttökerralla yli 2,5 tuntia niin, että virta on katkaistuna.
- Akun jännite on 3,85 V ja akun kapasiteetti on 2 100 mAh.
- Akku on UL2054-sertifioitu.

Kunnossapito

- Jos tuote ei toimi oikein, ota yhteys jälleenmyyjään tai lähimpään huoltokeskukseen. Emme ole vastuussa ongelmista, jotka johtuvat luvattomista korjaus- tai huoltotöistä.
- Jotkut osat (esim. elektrolyyttikondensaattori) on vaihdettava säännöllisesti. Keskimääräinen käyttöikä vaihtelee, joten on suositeltavaa suorittaa tarkastuksia aika ajoin. Ota yhteyttä jälleenmyyjään saadaksesi lisätietoja.
- Pyyhi laitteen pinnat varovaisesti puhtaalla liinalla ja tarvittaessa pienellä määrällä etanolia.
- Jos laitetta käytetään muulla kuin valmistajan määrittämällä tavalla, laitteen tarjoama suojaus saattaa heikentyä.

Kalibrointihuolto

- Suosittelemme lähettämään laitteen kerran vuodessa takaisin kalibrointihuoltoon. Ota yhteyttä paikalliseen jälleenmyyjään saadaksesi lisätietoja valtuutetuista huoltopisteistä. Tarkempia tietoja kalibrointihuollosta on osoitteessa <https://www.hikmicrotech.com/en/calibrationservices/2>.

Käyttöympäristö

- ÄLÄ altista laitetta erittäin kuumille, kylmille, pölyisille, syövyttävälle, kosteille tai suolaisille alkaliympäristöille. Varmista, että käyttöympäristö täyttää laitteelle määritetyt vaatimukset. Käyttölämpötila on $-10\text{ °C} - 50\text{ °C}$ ($14\text{ °F} - 122\text{ °F}$), ja käyttöympäristön ilmankosteus saa olla enintään 95 %.
- Tätä laitetta voi käyttää turvallisesti vain alueilla, jotka ovat enintään 2000 metriä merenpinnan yläpuolella.
- Sijoita laite kuivaan ja hyvin ilmastoituun paikkaan.
- ÄLÄ altista laitetta suurelle sähkömagneettiselle säteilylle tai pölyiselle ympäristölle.
- ÄLÄ suuntaa objektiivia aurinkoon tai muuhun kirkkaaseen valoon.
- Kun laserlaitetta käytetään, varmista, ettei lasersäde osu laitteen kennoon. Muussa tapauksessa kenno voi palaa.
- Laite sopii sisä- ja ulkokäyttöön, mutta sitä ei saa altistaa märille olosuhteille.
- Suojaustaso on IP 54.
- Saasteaste on 2.

Tekninen tuki

- <https://www.hikmicrotech.com> -portaali auttaa HIKMICRO-asiakkaita hyödyntämään HIKMICRO-tuotteita

mahdollisimman tehokkaasti. Portaalin kautta saa yhteyden tukitiimiimme ja sen kautta pääsee tarkastelemaan ohjelmistoa, dokumentaatiota, huoltosopimuksia jne.

Hätä

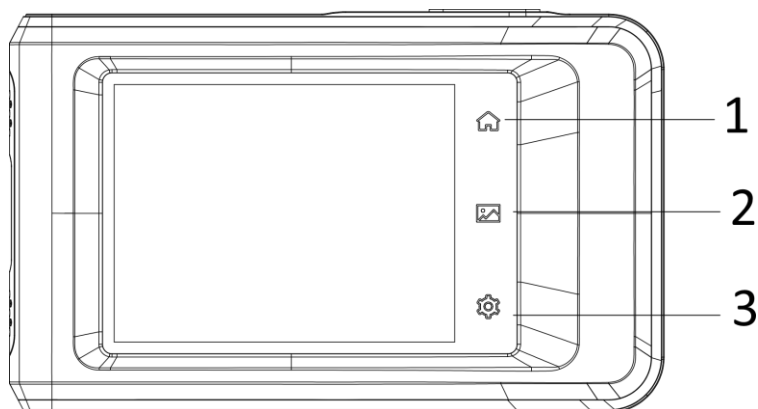
- Jos laitteesta erittyy savua tai hajua tai laite pitää ääntä, kytke laitteen virta pois päältä, irrota virtajohto ja ota yhteyttä palvelukeskukseen.

Valmistajan osoite

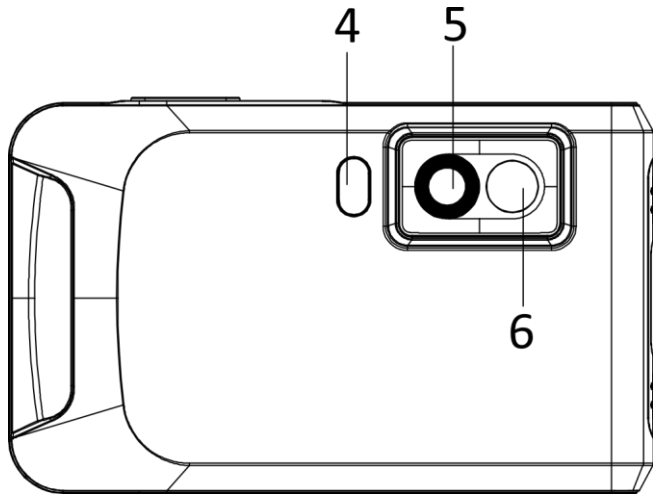
Huone 313, yksikkö B, rakennus 2, 399 Danfeng-tie,
Xixing-alapiirikunta, Binjiang-piirikunta, Hangzhou, Zhejiang 310052,
Kiina
Hangzhou Microimage Software Co., Ltd.

VAATIMUSTENMUKAISUUSILMOITUS: Lämpöteknologiatuotteisiin saattaa kohdistua vientivalvontaa eri maissa tai alueilla, mukaan lukien rajoituksetta Yhdysvallat, Euroopan unioni, Yhdistynyt kuningaskunta ja/tai muut Wassenaarin järjestelyn jäsenmaat. Neuvottele oikeudellisen asiantuntijan tai vaatimustenmukaisuusasiantuntijan tai paikallisen viranomaisen kanssa saadaksesi tietoja vientilupavaatimuksista, jos aiot siirtää, viedä tai jälleenviedä lämpöteknologiatuotteita eri maihin.

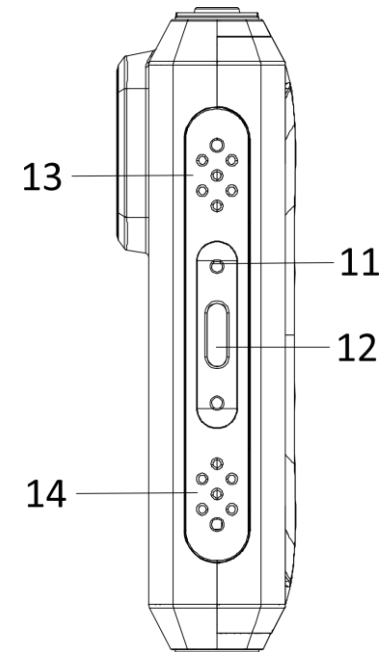
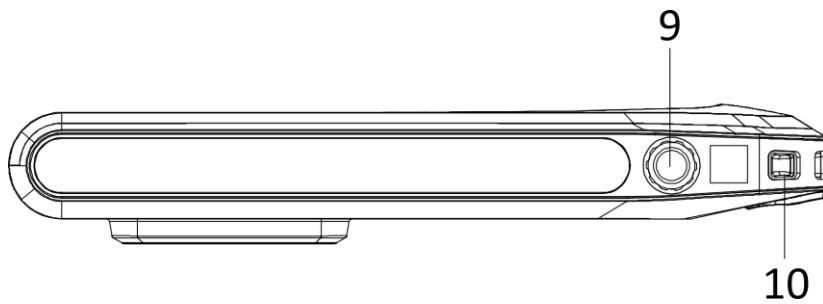
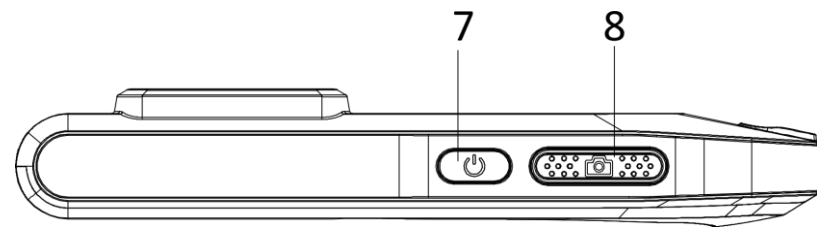
Svenska



Nr	Beskrivning	Funktion
1	Hemknapp	Tryck för att återvända till gränssnittet för realtidsvisning.
2	Filknapp	Tryck för att öppna album.
3	Inställningsknapp	Tryck för att öppna inställningsgränssnittet.
4	Ficklampa	Utfyllnadsljus på objekt samt



- | | | |
|---|------------------|----------------------------|
| 5 | Värmeobjektiv | avger blinkande larm. |
| 6 | Optiskt objektiv | Visar den termiska bilden. |
| | | Visar den optiska bilden. |



<i>Nr</i>	<i>Beskrivning</i>	<i>Funktion</i>
7	Knapp för ström	Håll in för att slå på/stänga av enheten.
8	Knapp för att ta bild	<ul style="list-style-type: none"> ● Tryck på realtidsvisningsläget: ta stillbilder/stoppa inspelning ● Tryck på menyläget: återgå till gränssnittet för realtidsvisning ● Håll intryckt: starta inspelning
9	Fäste för stativ	För att fästa stativet.
10	Fästpunkt för rem	För att fästa remmen.
11	Indikator	<p>Indikerar enhetens laddningsstatus.</p> <ul style="list-style-type: none"> ● Lyser rött: normal laddning ● Blinkar rött: laddningsfel ● Lyser grönt: fulladdad
12	Gränssnitt av typ-C	Ladda enheten eller exportera filer med typ C-kabel.
13	Summer	Avge hörbart larm.
14	Mikrofon	Spelar in ljud.

Temperaturmätning

Med den inbyggda högkänsliga IR-detektorn och högprestandasensorn är temperaturmätområdet -20 °C till 400 °C. Noggrannheten vid temperaturmätning är ± 2 °C eller 2 % när omgivningstemperaturen är 15 °C till 35 °C och objektets temperatur överstiger 0 °C.

Svep ned-menyn

Ljusstyrkan kan justeras i svep ned-menyn och funktioner som Wi-Fi, Bluetooth, surfpunkt, skärmsändning, ficklampa, automatisk rotation och mörkt/ljust läge kan aktiveras.

Anslutning till klientprogramvara

Du kan spela upp i realtid, ta stillbilder och spela in videor via HIKMICRO Viewer-appen på din telefon.

Skanna QR-koden på höljet för att hämta programvaran.

Du kan hämta HIKMICRO Analyzer (<https://www.hikmicrotech.com>) för att analysera bilder offline på ett

professionellt sätt och skapa en rapport i anpassat format på din dator.

Bildjustering

Nivå och omfång kan justeras manuellt eller automatiskt för att uppnå en bra termisk effekt för bättre analys av skillnader i temperatur.

I automatiskt läge justerar enheten parametrarna för temperaturområdet automatiskt. I manuellt läge, tryck på ett område på skärmen som intresserar dig eller tryck på pilarna till vänster på skärmen för att justera temperaturintervallet att visa.



Obs! Kameran utför regelbundet en självkalibrering för att optimera bildkvaliteten och mätnoggrannheten. Under denna process pausas bilden kortvarigt och du hör ett klick när en slutare rör sig framför detektorn. Meddelandet "Kalibrerar ..." visas i övre mitten av skärmen medan enheten självkalibreras. Självkalibreringen sker oftare under uppstart eller i mycket kalla eller varma miljöer. Detta är en normal del av driften för att säkerställa optimala prestanda för kameran.

Bruksanvisning

För detaljerad vägledning för handhavandet, skanna QR-koden för att hämta bruksanvisningen.



Juridisk information


©2022 Hangzhou Microimage Software Co., Ltd. Alla rättigheter förbehålles.

Om bruksanvisningen

Bruksanvisningen innehåller anvisningar för användning och underhåll av produkten. Bilder, diagram, illustrationer och all övrig information är enbart avsedda som beskrivningar och förklaringar. Informationen i bruksanvisningen kan komma att ändras, utan föregående meddelande, vid uppgradering av firmware eller av andra skäl. Den senaste versionen av bruksanvisningen finns på HIKMICRO:s webbplats (www.hikmicrotech.com/).

Använd bruksanvisningen tillsammans med vägledning och assistans från yrkespersoner som utbildats i att ge stöd för produkten.

Erkännande avseende varumärken

 och övriga varumärken och logotyper för HIKMICRO tillhör HIKMICRO i olika jurisdiktioner.

Andra varumärken och logotyper som omnämns tillhör respektive ägare.

JURIDISK FRISKRIVNING

BRUKSANVISNINGEN OCH DEN PRODUKT SOM BESKRIVS, MED DESS HÅRDVARA, MJUKVARA OCH FIRMWARE TILLHANDAHÅLLES "I BEFINTLIGT SKICK" OCH "MED ALLA FEL OCH BRISTER" SÅ LÅNGT DETTA ÄR TILLÅTET ENLIGT TILLÄMPLIG LAGSTIFTNING. HIKMICRO UTFÄRDAR INGA GARANTIER, VARKEN UTTRYCKLIGA ELLER UNDERFÖRSTÅDDA, INKLUDERANDE UTAN BEGRÄNSNING, FÖR SÄLJBARHET, TILLFREDSSTÄLLANDE KVALITET ELLER LÄMPLIGHET FÖR ETT VISST ÄNDAMÅL. ANVÄNDNING AV PRODUKTEN SKER HELT PÅ EGEN RISK. DU SKA INTE UNDER NÅGRA OMSTÄNDIGHETER HÅLLA HIKMICRO ANSVARIGA FÖR NÅGRA SÄRSKILDA SKADOR, FÖLJDSKADOR ELLER INDIREKTA SKADOR, INKLUSIVE, BLAND ANNAT SKADESTÅND FÖR FÖRLORAD AFFÄRSVINST, VERKSAMHETSSTÖRNING,


FÖRLUST AV DATA ELLER DOKUMENTATION, OAVSETT OM DETTA BASERAS PÅ AVTALSBROTT, ÅTALBAR HANDLING (INKLUSIVE FÖRSUMLIGHET), PRODUKTANSVAR ELLER ANNAT I SAMBAND MED ANVÄNDNINGEN AV PRODUKTEN, ÄVEN OM HIKMICRO HAR MEDDELATS ATT RISKEN FÖR SÅDANA SKADOR ELLER FÖRLUSTER FÖRELIGGER.

DU BEKRÄFTAR ATT INTERNETS NATUR INNEBÄR INBYGGDA SÄKERHETSRISKER OCH HIKMICRO TAR INGET ANSVAR FÖR ONORMAL ANVÄNDNING, INTEGRITETSLÄCKOR ELLER ANDRA SKADOR SOM ORSAKAS AV CYBERATTACKER, HACKERATTACKER, VIRUSANGREPP ELLER ANDRA SÄKERHETSRISKER MED INTERNET. HIKMICRO KOMMER DOCK ATT TILLHANDAHÅLLA LÄMPLIG TEKNISK SUPPORT OM SÅ KRÄVS.

DU ACCEPTERAR ATT ANVÄNDA PRODUKTEN I ENLIGHET MED ALLA TILLÄMPLIGA LAGAR OCH DU ÄR ENSAMT ANSVARIG FÖR ATT SÄKERSTÄLLA ATT DIN ANVÄNDNING EFTERLEVER TILLÄMPLIGA LAGAR. DU ÄR I SYNNERHET ANSVARIG FÖR ATT ANVÄNDA PRODUKTEN PÅ ETT SÅDANT SÄTT ATT DEN INTE INKRÄKTAR PÅ NÅGRA RÄTTIGHETER SOM ÄGS AV TREDJE PART, INKLUSIVE UTAN BEGRÄNSNING, RÄTTEN TILL PUBLICERING, IMMATERIELLA RÄTTIGHETER, SAMT DATASKYDD OCH ANDRA INTEGRITETS RÄTTIGHETER. DU FÅR INTE ANVÄNDA PRODUKTEN FÖR NÅGRA FÖRBJUDNA SLUTANVÄNDNINGAR, INKLUSIVE UTVECKLING ELLER PRODUKTION AV MASSFÖRSTÖRELSEVAPEN, UTVECKLING ELLER PRODUKTION AV KEMISKA ELLER BIOLOGISKA STRIDSMEDEL, ELLER NÅGRA AKTIVITETER SOM ÄR RELATERADE TILL NUKLEÄRA SPRÄNGMEDEL ELLER OSÄKRA NUKLEÄRA BRÄNSLECYKLER, ELLER SOM STÖD FÖR ÖVERGREPP AV MÄNSKLIGA RÄTTIGHETER. I DE FALL INNEHÅLLET I BRUKSANVISNINGEN STÅR I KONFLIKT MED TILLÄMPLIGA LAGAR, GÄLLER DE SISTNÄMNDNA.

Föreskrifter

Deklaration om EU-överensstämmelse

 Den här produkten och, om tillämpligt, även de medföljande tillbehören är CE-märkta och överensstämmer därför med harmoniserade europeiska standarder i direktivet 2014/30/EG (EMC), direktivet 2014/35/EG (LVD) och direktivet 2011/65/EG (RoHS).

Begränsningar för 5 GHz-bandet:

Enligt paragraf 10 (10) i direktivet 2014/53/EU är denna enhet

begränsad till inomhusbruk i följande länder när den opererar i frekvensområdet 5150 till 5350 MHz: Österrike (AT), Belgien (BE), Bulgarien (BG), Kroatien (HR), Cypern (CY), Republiken Tjeckien (CZ), Danmark (DK), Estland (EE), Finland (FI), Frankrike (FR), Tyskland (DE), Grekland (EL), Ungern (HU), Island (IS), Irland (IE), Italien (IT), Lettland (LV), Liechtenstein (LI), Litauen (LT), Luxemburg (LU), Malta (MT), Nederländerna (NL), Nordirland (UK(NI)), Norge (NO), Polen (PL), Portugal (PT), Rumänien (RO), Slovakien (SK), Slovenien (SI), Spanien (ES), Sverige (SE), Schweiz (CH) och Turkiet (TR).

Följande frekvensband och nominella gränsvärden för sändareffekt (utstrålad och/eller överförd) gäller för denna radioenhet:

Wi-Fi: 2,4 GHz (2,4 GHz till 2,4835 GHz): 20 dBm; 5 GHz (5,15 till 5,25 GHz): 23 dBm; 5 GHz (5,25 till 5,35 GHz): 23 dBm; 5 GHz (5,47 till 5,725 GHz): 23 dBm; 5 GHz (5,725 till 5,85 GHz): 14 dBm

Bluetooth: 2,4 GHz (2,4 GHz till 2,4835 GHz): 20 dBm

Använd strömadaptern som tillhandahålls av en behörig tillverkare. Se produktens specifikation för detaljerade strömförsörjningskrav.

Använd batteriet som tillhandahålls av en behörig tillverkare. Se produktens specifikation för detaljerade krav på batteriet.



Direktiv 2012/19/EU (WEEE-direktivet): Produkter märkta med denna symbol får inte avfallshandteras som osorterat hushållsavfall inom EU. Produkten ska återlämnas till din lokala återförsäljare för korrekt återvinning, vid inköp av motsvarande ny utrustning, eller lämnas in på en särskild återvinningsstation. Mer information finns på www.recyclethis.info.



Direktiv 2006/66/EG och dess tillägg 2013/56/EU (batteridirektivet): Produkten innehåller ett batteri som inte får avfallshandteras som osorterat hushållsavfall inom EU. Se produktens dokumentation för specifik information om batteriet. Batteriet är märkt med denna symbol, som kan innehålla bokstäver för att indikera kadmium (Cd), bly (Pb) eller kvicksilver (Hg). Batteriet ska återlämnas till din återförsäljare eller lämnas in på en särskild återvinningsstation för korrekt återvinning. Mer information finns på: www.recyclethis.info.

Säkerhetsanvisningar

Anvisningarna är avsedda att säkerställa att användaren kan använda produkten på ett korrekt sätt för att undvika fara eller förlust av egendom.

Lagar och bestämmelser

- Användningen av produkten måste följa lokala bestämmelser kring elsäkerhet.

Transport

- Förvara enheten i ursprungsförpackningen eller en liknande förpackning vid transport.
- Behåll allt förpackningsmaterial efter upppackning för framtida användning. Vid eventuella fel måste du returnera enheten till fabriken med det ursprungliga förpackningsmaterialet. Transport utan det ursprungliga förpackningsmaterialet kan resultera i att enheten skadas och företaget åtar sig inget ansvar för detta.
- Undvik att tappa produkten och utsätt den inte för fysiska stötar. Håll enheten på avstånd från magnetiska störningar.

Strömförsörjning

- Inspänningen måste uppfylla specifikationerna för en begränsad strömkälla (3,85 V DC, 570 mA) enligt standarden IEC62368. Se de tekniska specifikationerna för detaljerad information.
- Kontrollera att kontakten är korrekt ansluten till eluttaget.
- För att undvika överhettning och brandfara orsakad av överbelastning får du INTE ansluta flera enheter till en och samma strömadapter.
- Använd strömadaptern som tillhandahålls av en behörig tillverkare. Se produktens specifikation för detaljerade strömförsörjningskrav.

Batteri

- Ladda enheten i tre timmar innan första användning.
- Felaktig användning eller ersättning av batteriet kan leda till explosionsrisk. Batterierna måste ersättas med likadana eller likvärdiga batterier. Avfallshandtera förbrukade batterier i enlighet med anvisningarna från batteritillverkaren.
- Det inbyggda batteriet går inte att demontera. Kontakta tillverkaren för reparation vid behov.
- Ladda INTE andra batterityper med den medföljande laddaren. Kontrollera att det inte finns något lättantändligt material inom 2 m från laddaren medan laddningen pågår.

- Vid långtidsförvaring av batteriet, måste det laddas helt en gång i halvåret för att batteriets kvalitet ska bevaras. Annars kan skador uppstå.
- Använd batteriet som tillhandahålls av en behörig tillverkare. Se produktens specifikation för detaljerade krav på batteriet.
- Batteriet får INTE placeras i närheten av en värmekälla eller en öppen eld. Undvik direkt solljus.
- Batteriet får INTE sväljas då detta kan orsaka kemiska brännskador.
- Batteriet får INTE placeras inom räckhåll för barn.
- När enheten är avstängd och RTC-batteriet fulladdat, lagras tidsinställningarna i sex månader.
- Vid den första användningen, ladda enheten under minst 2,5 timmar i avstängt läge.
- Batteriets spänning är 3,85 V och batterikapaciteten är 2100 mAh.
- Batteriet är certifierat enligt UL2054.

Underhåll

- Kontakta din återförsäljare eller närmaste servicecenter, om produkten inte fungerar som den ska. Vi åtar oss inget ansvar för problem som orsakats av obehörig reparation eller obehörigt underhåll.
- Vissa enhetskomponenter (t.ex. elektrolytkondensator) måste bytas ut regelbundet. Den genomsnittliga livslängden varierar, så regelbundna kontroller rekommenderas. Kontakta din återförsäljare för att få mer information.
- Torka försiktigt av enheten med en ren trasa och en liten mängd etanol, vid behov.
- Om utrustningen används på ett sätt som inte anges av tillverkaren, kan skyddet som enheten ger försämrats.

Kalibreringstjänst

- Vi rekommenderar att du skickar tillbaka enheten för kalibrering en gång om året, och kontaktar din lokala återförsäljare för information om underhållspunkter. För mer information om kalibreringstjänster, se <https://www.hikmicrotech.com/en/calibrationservices/2>.

Användningsmiljö

- Utsätt INTE enheten för extremt varma, kalla, frätande, salthaltiga alkaliska eller fuktiga miljöer. Se till att användningsmiljön motsvarar enhetens krav. Drifttemperaturen bör vara -10 °C till

50 °C, och luftfuktigheten mindre än 95 %.

- Enheten får endast användas på ett säkert sätt i områden under 2000 meter över havet.
- Placera enheten i en torr miljö med god ventilation.
- Enheten FÅR INTE utsättas för kraftig elektromagnetisk strålning eller dammiga miljöer.
- Objektivet FÅR INTE riktas mot solen eller andra starka ljuskällor.
- Om någon laserutrustning används, måste du se till att enhetens objektiv inte exponeras för laserstrålen, då detta kan medföra att objektivet bränns sönder.
- Enheten är lämplig för inom- och utomhusbruk, men får inte utsättas för våta miljöer.
- Skyddsklassificeringen är IP 54.
- Föroreningsgraden är 2.

Teknisk support

- Portalen <https://www.hikmicrotech.com> hjälper dig som HIKMICRO-kund att få ut det mesta av dina produkter från HIKMICRO. Portalen ger dig tillgång till vårt supportteam, program och dokumentation, serviceavtal etc.

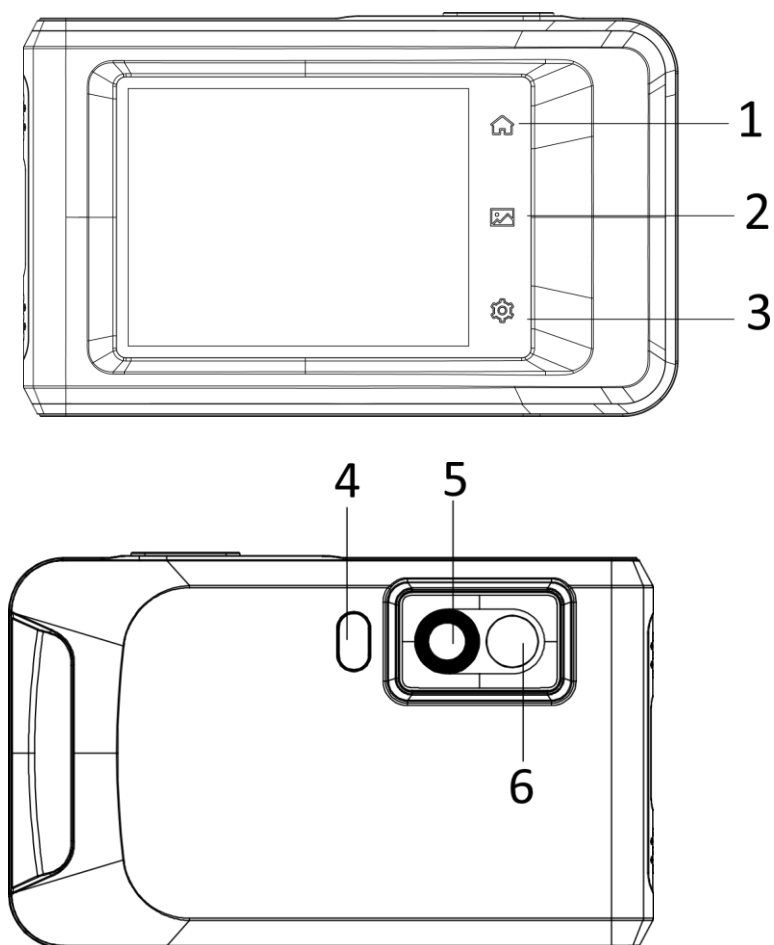
Nödsituation

- Stäng omedelbart av strömmen, koppla ur strömkabeln och kontakta servicecentret, om det kommer rök, lukt eller oljud från enheten.

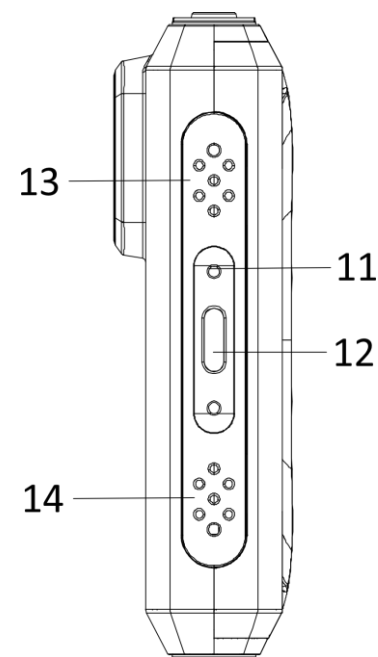
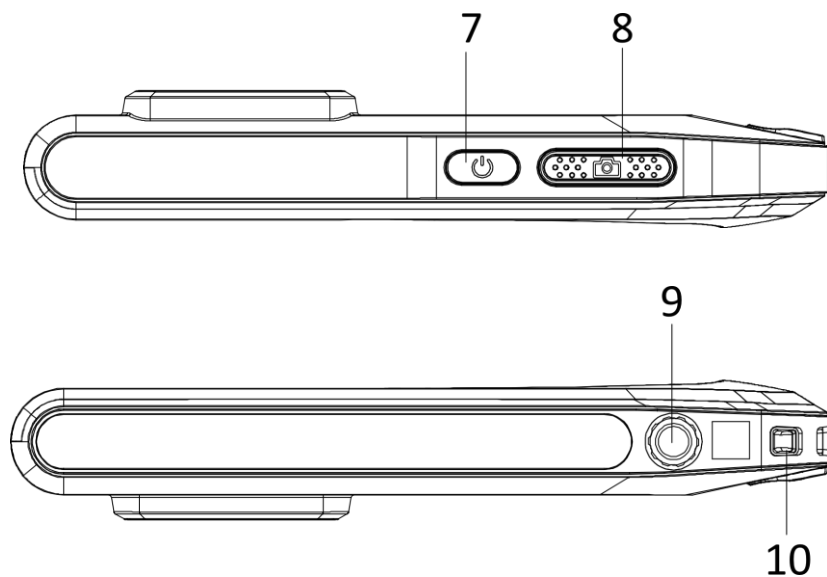
Tillverkarens adress

Rum 313, Enhet B, Byggnad 2, 399 Danfengvägen, Underdistriktet Xixing, Distriktet Binjiang, Hangzhou, Zhejiang 310052, Kina
Hangzhou Microimage Software Co., Ltd.

FÖRSÄKRAN OM ÖVERENSSTÄMMELSE: Produkter i den termiska serien kan vara föremål för exportkontroller i olika länder eller regioner, inklusive utan begränsning, USA, Europeiska unionen, Storbritannien och/eller andra länder som skrivit under Wassenaar-avtalet. Rådgör med en professionell juridisk konsult, en expert på regelefterlevnad eller lokala myndigheter avseende krav på exportlicenser om du avser att överföra, exportera eller vidareexportera produkter i den termiska serien mellan olika länder



<i>№</i>	<i>Описание</i>	<i>Функционирование</i>
1	Кнопка «Домой»	Нажмите, чтобы вернуться в интерфейс просмотра в реальном времени.
2	Кнопка «Файл»	Нажмите для перехода к альбомам.
3	Кнопка «Настройки»	Нажмите для перехода к интерфейсу настроек.
4	Вспышка	Узконаправленное освещение объектов и подача светового сигнала тревоги.
5	Тепловизионный объектив	Просмотр тепловизионного изображения.
6	Оптический объектив	Просмотр оптического изображения.



№	Описание	Функционирование
7	Кнопка питания	Нажмите и удерживайте, чтобы включить/выключить устройство.
8	Кнопка съемки	<ul style="list-style-type: none"> ● Нажатие в режиме просмотра в реальном времени: создать снимки/остановить запись ● Нажатие в режиме меню: вернуться в интерфейс просмотра в реальном времени ● Удерживание: начало записи
9	Крепление штатива	Для крепления штатива.
10	Точка крепления ремня	Крепления ремня.

11	Индикатор	Показывает состояние зарядки устройства. <ul style="list-style-type: none"> ● Постоянный красный свет: устройство заряжается ● Мигающий красный свет: устройство не заряжается ● Постоянный зеленый свет: устройство полностью заряжено
12	Интерфейс Type-C	Заряжает устройство или экспортирует файлы с кабеля типа C.
13	Зуммер	Выдает звуковой сигнал тревоги.
14	Микрофон	Запись аудио.

Измерение температуры

С использованием встроенного высокочувствительного и высокоэффективного инфракрасного датчика температура измеряется в диапазоне от -20 °C до 400 °C (от -4 °F до 752 °F), с погрешностью 2 °C ($\pm 3,6$ °F) или 2% при температуре окружающей среды от 15 °C до 35 °C (от 59 °F до 95 °F) и температуре объекта выше 0 °C (32 °F).

Меню, раскрывающееся движением пальца вниз по экрану

В этом меню можно настроить яркость и активировать такие функции, как Wi-Fi, Bluetooth, Hotspot, Screen Cast, фонарик автоматический поворот и темный/светлый режим.

Подключение к клиентскому ПО

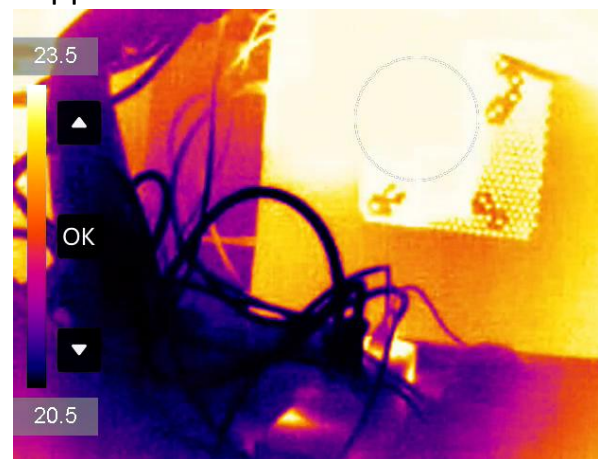
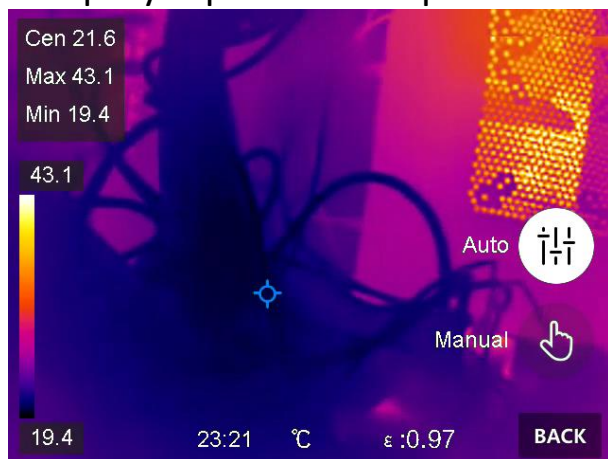
Приложение HIKMICRO Viewer позволяет просматривать изображение в реальном времени, делать снимки и записывать видео на телефоне. Отсканируйте QR-код на крышке, чтобы загрузить ПО. Для профессионального автономного анализа изображений и создания отчетов в собственном формате на персональном компьютере можно загрузить HIKMICRO Analyzer (<https://www.hikmicrotech.com>).

Настройка изображения

Уровень и диапазон можно настроить вручную или автоматически, чтобы обеспечить качественный термический эффект и повысить эффективность анализа разницы температур.

В автоматическом режиме устройство настраивает параметры диапазона температур автоматически.

В ручном режиме можно нажать на интересующую область экрана или на стрелки в левой части экрана и отрегулировать отображаемый температурный диапазон.



Примечание. Камера будет периодически осуществлять самокалибровку для оптимизации качества изображения и точности измерения. При этом изображение на короткое время приостановится, и вы услышите «щелчок» при перемещении заслонки перед датчиком. Во время самостоятельной калибровки устройства в верхней центральной части окна отображается надпись «Выполняется калибровка...». Самокалибровка осуществляется чаще при вводе в эксплуатацию или в условиях очень низких или высоких температур. Это нормальная операция, обеспечивающая оптимальную эффективность камеры.

Руководство пользователя

Для получения подробных инструкций отсканируйте QR-код и загрузите руководство пользователя.




Нормативно-правовая информация

©2022 Hangzhou Microimage Software Co., Ltd. Все права защищены.

О данном Руководстве

В Руководстве содержатся инструкции по эксплуатации Изделия. Фотографии, схемы, иллюстрации и прочие материалы приведены исключительно в качестве описаний и пояснений. Информация, приведенная в Руководстве, может быть изменена без предварительного уведомления в связи с обновлением микропрограммы или по другим причинам. Последнюю редакцию настоящего Руководства можно найти на веб-сайте компании HIKMICRO (www.hikmicrotech.com/). Используйте Руководство под наблюдением специалистов, обученных обслуживанию Изделия.

Признание товарных знаков

 HIKMICRO и все другие торговые марки и логотипы HIKMICRO являются собственностью компании HIKMICRO в различных юрисдикциях.

Другие товарные знаки и логотипы, упоминаемые в Руководстве, являются собственностью соответствующих владельцев.

ЗАЯВЛЕНИЕ ОБ ОГРАНИЧЕНИИ ОТВЕТСТВЕННОСТИ


В МАКСИМАЛЬНОЙ СТЕПЕНИ, РАЗРЕШЕННОЙ ДЕЙСТВУЮЩИМ ЗАКОНОДАТЕЛЬСТВОМ, ДАННОЕ РУКОВОДСТВО И ОПИСАНИЕ ИЗДЕЛИЯ ВМЕСТЕ С АППАРАТНОЙ ЧАСТЬЮ, ПРОГРАММНЫМ ОБЕСПЕЧЕНИЕМ И ВСТРОЕННОЙ МИКРОПРОГРАММОЙ ПРЕДОСТАВЛЯЕТСЯ ПО ПРИНЦИПУ «КАК ЕСТЬ» И «СО ВСЕМИ НЕПОЛАДКАМИ И ОШИБКАМИ». HIKMICRO НЕ ДАЕТ НИКАКИХ ЯВНЫХ ИЛИ ПОДРАЗУМЕВАЕМЫХ ГАРАНТИЙ, В ТОМ ЧИСЛЕ ГАРАНТИЙ ТОВАРНОЙ ПРИГОДНОСТИ, УДОВЛЕТВОРИТЕЛЬНОГО КАЧЕСТВА ИЛИ ПРИГОДНОСТИ ДЛЯ КОНКРЕТНЫХ ЦЕЛЕЙ. ПОТРЕБИТЕЛЬ ИСПОЛЬЗУЕТ ИЗДЕЛИЕ НА СВОЙ СТРАХ И РИСК. НИ ПРИ КАКИХ ОБСТОЯТЕЛЬСТВАХ КОМПАНИЯ HIKMICRO НЕ НЕСЕТ ОТВЕТСТВЕННОСТИ ПЕРЕД ПОТРЕБИТЕЛЕМ ЗА КАКОЙ-ЛИБО СЛУЧАЙНЫЙ ИЛИ КОСВЕННЫЙ УЩЕРБ, ВКЛЮЧАЯ, СРЕДИ ПРОЧЕГО, УБЫТКИ ИЗ-ЗА ПОТЕРИ ПРИБЫЛИ, ПЕРЕРЫВОВ В ДЕЯТЕЛЬНОСТИ, ПОТЕРИ ДАННЫХ ИЛИ ДОКУМЕНТАЦИИ, ПОВРЕЖДЕНИЯ СИСТЕМ, БУДЬ ТО ПО ПРИЧИНЕ НАРУШЕНИЯ ДОГОВОРА, ПРОТИВОПРАВНЫХ ДЕЙСТВИЙ (В ТОМ ЧИСЛЕ ХАЛАТНОСТИ), УЩЕРБА ВСЛЕДСТВИЕ ИСПОЛЬЗОВАНИЯ ИЗДЕЛИЯ ИЛИ ИНОГО В СВЯЗИ С

ИСПОЛЬЗОВАНИЕМ ДАННОГО ИЗДЕЛИЯ, ДАЖЕ ЕСЛИ КОМПАНИИ HIKMICRO БЫЛО ИЗВЕСТНО О ВОЗМОЖНОСТИ ТАКОГО УЩЕРБА. ПОТРЕБИТЕЛЬ ОСОЗНАЕТ, ЧТО ИНТЕРНЕТ ПО СВОЕЙ ПРИРОДЕ ЯВЛЯЕТСЯ ИСТОЧНИКОМ ПОВЫШЕННОГО РИСКА БЕЗОПАСНОСТИ И КОМПАНИЯ HIKMICRO НЕ НЕСЕТ ОТВЕТСТВЕННОСТИ ЗА СБОИ В РАБОТЕ ОБОРУДОВАНИЯ, УТЕЧКУ ИНФОРМАЦИИ И ДРУГОЙ УЩЕРБ, ВЫЗВАННЫЙ КИБЕРАТАКАМИ, ХАКЕРАМИ, ВИРУСАМИ ИЛИ СЕТЕВЫМИ УГРОЗАМИ; ОДНАКО НАША КОМПАНИЯ ОБЕСПЕЧИВАЕТ СВОЕВРЕМЕННУЮ ТЕХНИЧЕСКУЮ ПОДДЕРЖКУ, ЕСЛИ ЭТО НЕОБХОДИМО.

ПОТРЕБИТЕЛЬ СОГЛАШАЕТСЯ ИСПОЛЬЗОВАТЬ ДАННОЕ ИЗДЕЛИЕ В СООТВЕТСТВИИ СО ВСЕМИ ПРИМЕНИМЫМИ ЗАКОНАМИ И НЕСЕТ ЛИЧНУЮ ОТВЕТСТВЕННОСТЬ ЗА ИХ СОБЛЮДЕНИЕ. В ЧАСТНОСТИ, ПОТРЕБИТЕЛЬ НЕСЕТ ОТВЕТСТВЕННОСТЬ ЗА ИСПОЛЬЗОВАНИЕ ДАННОГО ИЗДЕЛИЯ БЕЗ НАРУШЕНИЯ ПРАВ ТРЕТЬИХ ЛИЦ, В ТОМ ЧИСЛЕ ПРАВ ПУБЛИЧНОСТИ, ИНТЕЛЛЕКТУАЛЬНОЙ СОБСТВЕННОСТИ И ЗАЩИТЫ ДАННЫХ. ПОТРЕБИТЕЛЬ ОБЯЗУЕТСЯ НЕ ИСПОЛЬЗОВАТЬ ЭТО ИЗДЕЛИЕ В ЗАПРЕЩЕННЫХ ЦЕЛЯХ, В ТОМ ЧИСЛЕ ДЛЯ РАЗРАБОТКИ ИЛИ ПРОИЗВОДСТВА ОРУЖИЯ МАССОВОГО УНИЧТОЖЕНИЯ, ХИМИЧЕСКОГО ИЛИ БИОЛОГИЧЕСКОГО ОРУЖИЯ, ОСУЩЕСТВЛЕНИЯ КАКОЙ-ЛИБО ДЕЯТЕЛЬНОСТИ В КОНТЕКСТЕ ЯДЕРНОГО ОРУЖИЯ, НЕБЕЗОПАСНЫХ ОПЕРАЦИЙ С ЯДЕРНЫМ ТОПЛИВОМ ИЛИ ДЛЯ ПОДДЕРЖКИ НАРУШЕНИЙ ПРАВ ЧЕЛОВЕКА. В СЛУЧАЕ РАЗНОЧТЕНИЙ МЕЖДУ НАСТОЯЩИМ РУКОВОДСТВОМ И ДЕЙСТВУЮЩИМ ЗАКОНОДАТЕЛЬСТВОМ, ПОСЛЕДНЕЕ ИМЕЕТ ПРИОРИТЕТ.

Нормативная информация

Соответствие стандартам EU

 Настоящее изделие и аксессуары, входящие в комплект его поставки, отмечены символом «CE», который обозначает их соответствие согласованным Европейским стандартам, перечисленным в Директивах 2014/30/EU (EMCD), 2014/35/EU (LVD) и 2011/65/EU (RoHS).

Ограничения в полосе 5 ГГц:

В соответствии со ст. 10 (10) Директивы 2014/53/EU, при работе в частотном диапазоне от 5150 до 5350 МГц устройство разрешается использовать только в помещении в следующих странах: Австрия (AT), Бельгия (BE), Болгария (BG), Хорватия (HR), Кипр (CY), Чешская

Республика (CZ), Дания (DK), Эстония (EE), Финляндия (FI), Франция (FR), Германия (DE), Греция (EL), Венгрия (HU), Исландия (IS), Ирландия (IE), Италия (IT), Латвия (LV), Лихтенштейн (LI), Литва (LT), Люксембург (LU), Мальта (MT), Нидерланды (NL), Северная Ирландия (UK(NI)), Норвегия (NO), Польша (PL), Португалия (PT), Румыния (RO), Словакия (SK), Словения (SI), Испания (ES), Швеция (SE), Швейцария (CH) и Турция (TR).

Для этого радиоустройства предусмотрены следующие полосы частот и номинальная (излучаемая и/или проходящая) мощность передачи:

Wi-Fi: 2,4 ГГц (2,4 — 2,4835 ГГц): 20 дБм; 5 ГГц (5,15 — 5,25 ГГц): 23 дБм; 5 ГГц (5,25 — 5,35 ГГц): 23 дБм; 5 ГГц (5,47 — 5,725 ГГц): 23 дБм; 5 ГГц (5,725 — 5,85 ГГц): 14 дБм

Bluetooth: 2,4 ГГц (2,4 — 2,4835 ГГц): 20 дБм

Используйте адаптер питания, предоставленный сертифицированным изготовителем. Требования по электропитанию подробно описаны в технических характеристиках изделия.

Используйте батарею, поставляемую сертифицированным изготовителем. Требования к батарее подробно описаны в технических характеристиках изделия.



Директива WEEE 2012/19/EU (по утилизации отходов электрического и электронного оборудования): продукты, отмеченные этим символом, запрещено утилизировать в Европейском союзе в качестве несортированных муниципальных отходов. Для надлежащей переработки возвратите этот продукт местному поставщику после покупки эквивалентного нового оборудования или утилизируйте его в предназначенных для этого пунктах сбора отходов. Для получения дополнительной информации посетите веб-сайт www.recyclethis.info



Директива 2006/66/ЕС и поправка к ней 2013/56/EU (сведения о батарее): этот продукт содержит батарею, которую запрещено утилизировать в Европейском союзе в качестве несортированных муниципальных отходов. Для получения точной информации о батарее см. документацию к продукту. Маркировка батареи может включать символы, которые определяют ее химический состав: кадмий (Cd), свинец (Pb) или

ртуть (Hg). Для надлежащей утилизации отправьте батарею местному поставщику или утилизируйте ее в специальных пунктах приема отходов. Для получения дополнительной информации посетите веб-сайт www.recyclethis.info.

Инструкция по технике безопасности

Настоящие инструкции предназначены для того, чтобы пользователь мог правильно использовать устройство, чтобы избежать опасности или потери имущества.

Законодательные акты и нормативные документы

- Эксплуатация данного изделия должна выполняться в строгом соответствии с местными правилами безопасной эксплуатации электрооборудования.

Транспортировка

- Используйте оригинальную или схожую упаковку для транспортировки устройства.
- После распаковки сохраните упаковочные материалы для дальнейшего использования. В случае неисправности вам потребуется вернуть устройство на завод в оригинальной упаковке. Транспортировка без оригинальной упаковки может привести к повреждению устройства, и компания не будет нести за это ответственности.
- Не роняйте и не ударяйте устройство. Устройство необходимо размещать вдали от источников электромагнитных помех.

Электропитание

- Входное напряжение должно соответствовать ограниченному источнику питания (3,85 В пост. тока, 570 мА) в соответствии со стандартом IEC62368. Подробная информация приведена в таблице технических данных.
- Убедитесь, что вилка правильно подключена к розетке электропитания.
- Во избежание перегрева или возгорания из-за перегрузки ЗАПРЕЩАЕТСЯ подключать несколько устройств к одному адаптеру питания.
- Используйте адаптер питания, предоставленный сертифицированным изготовителем. Требования по электропитанию подробно описаны в технических характеристиках изделия.

Батарея

- Перед первым использованием устройства зарядите его в течение 3 часов.
- Использование или замена батареи с нарушением инструкций может привести к взрыву. Для замены используйте только такие же или аналогичные батареи. Утилизируйте использованные батареи согласно инструкциям, предоставленным производителем батарей.
- Встроенная батарея не подлежит разборке. В случае необходимости ремонта обратитесь к производителю.
- НЕ используйте поставляемое в комплекте зарядное устройство для зарядки батарей другого типа. Убедитесь, что во время зарядки в радиусе 2 метров вокруг зарядного устройства нет легковоспламеняющихся материалов.
- При длительном хранении батареи полностью заряжайте ее каждые полгода, чтобы обеспечить ее работоспособность. В противном случае батарея может выйти из строя.
- Используйте батарею, поставляемую сертифицированным изготовителем. Требования к батарее подробно описаны в технических характеристиках изделия.
- Не размещайте батарею рядом с источниками тепла или огня. Не допускайте воздействия прямого солнечного света.
- Не проглатывайте батарею во избежание химических ожогов.
- Не размещайте батарею в местах, где ее могут взять дети.
- Когда батарея часов реального времени полностью заряжена, настройки времени на выключенном устройстве могут храниться 6 месяцев.
- При первом использовании зарядите устройство, не включая его, в течение более чем 2,5 часов.
- Напряжение батареи составляет 3,85 В, емкость 2100 мА-ч.
- Батарея сертифицирована по стандарту UL2054.

Техническое обслуживание

- Если изделие не работает должным образом, обратитесь к дилеру или к специалистам ближайшего сервисного центра. Компания-изготовитель не несет ответственности за неисправности, возникшие в результате несанкционированного ремонта или технического обслуживания.
- Некоторые компоненты устройства (например, электролитические конденсаторы) требуют регулярной замены. Средний срок службы этих компонентов может различаться,

поэтому советуем периодически их проверять. Подробности уточняйте у продавца.

- При необходимости осторожно протрите устройство чистой салфеткой, смоченной небольшим количеством этилового спирта.
- Если оборудование используется способом, не указанным производителем, обеспечиваемая устройством безопасность может быть нарушена.

Услуги калибровки

- Рекомендуется ежегодно предоставлять устройство для калибровки. Информацию о пунктах технического обслуживания можно получить у местного дилера. Дополнительную информацию об услугах калибровки см. на странице <https://www.hikmicrotech.com/en/calibrationservices/2>.

Требования к рабочей среде

- ЗАПРЕЩАЕТСЯ устанавливать устройство в условиях воздействия экстремально высоких или низких температур, пыли, коррозионных, солевых и щелочных веществ, а также во влажной среде. Убедитесь, что рабочая среда удовлетворяет требованиям надлежащей работы устройства. Рабочая температура должна быть в пределах от -10 °C до 50 °C, а рабочая влажность не должна превышать 95 %.
- Безопасное использование устройства возможно только на высоте менее 2000 метров над уровнем моря.
- Размещайте устройство в сухой и хорошо проветриваемой среде.
- ЗАПРЕЩАЕТСЯ устанавливать устройство в условиях воздействия сильного электромагнитного излучения или в пыльной среде.
- Не направляйте объектив устройства на солнце или другие яркие источники света.
- При использовании любого лазерного оборудования убедитесь, что в объектив устройства не попадает лазерный луч, иначе он может выгореть.
- Устройство предназначено для использования как в помещениях, так и на открытом воздухе, но при этом должно быть защищено от влаги.
- Класс защиты IP 54.
- Степень загрязнения 2.

Техническая поддержка

- На портале <https://www.hikmicrotech.com> для пользователей устройств HIKMICRO доступны дополнительные возможности. На этом портале можно обратиться в службу технической поддержки и получить доступ к программному обеспечению, документации, договорам на сервисное обслуживание и т. д.

Кнопка подачи экстренного сигнала тревоги

- Если устройство испускает дым, неприятный запах или шум, незамедлительно отключите электропитание, извлеките шнур питания и обратитесь в сервисный центр.

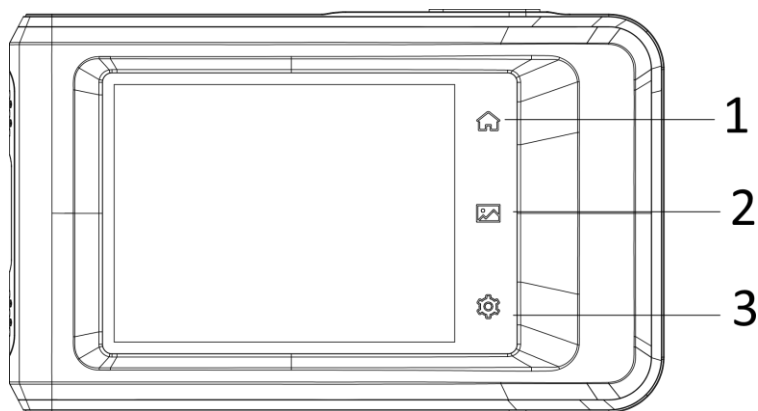
Адрес производителя

Комната 313, помещение В, корпус 2, 399 Danfeng Road, район

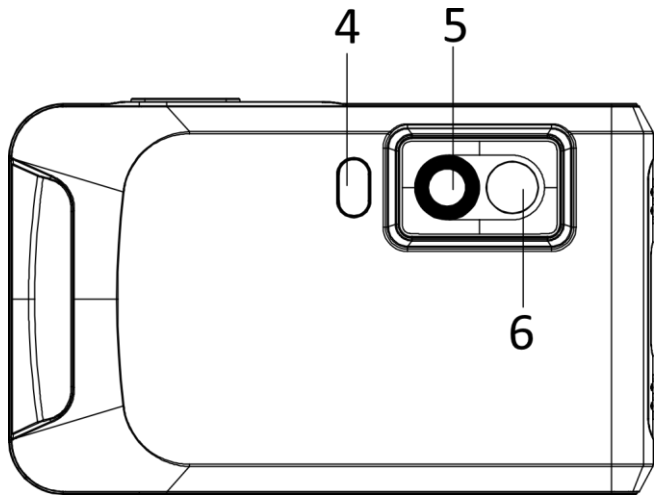
Xixing, округ Binjiang, Hangzhou, Zhejiang 310052, Китай
Компания Hangzhou Microimage Software Co., Ltd.

УВЕДОМЛЕНИЕ О СООТВЕТСТВИИ: В различных странах и регионах, включая США, ЕС, Великобританию и/или другие страны, подписавшие Вассенарские соглашения, на тепловизионные устройства могут распространяться правила экспортного контроля. При необходимости транспортировки между странами, экспорта или реэкспорта тепловизионных устройств обратитесь к юристу, специалисту по соблюдению нормативно-правового соответствия или местным органам власти для получения информации о разрешении на экспорт.

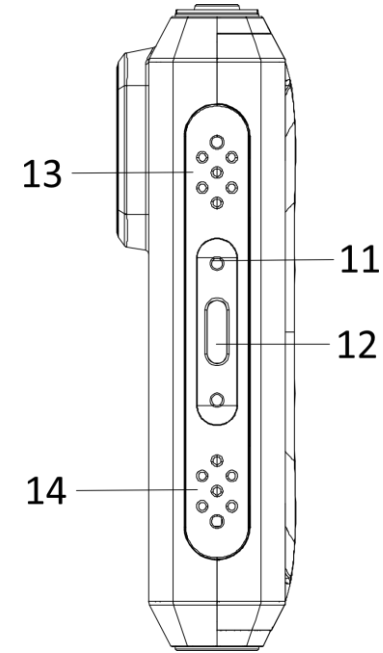
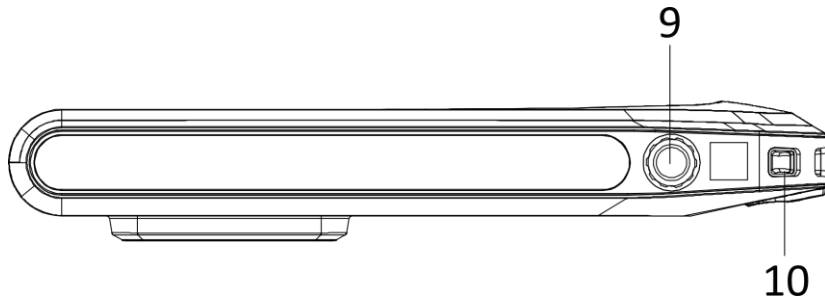
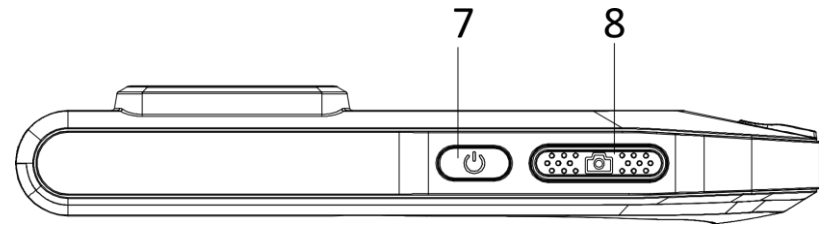
Türkçe



No.	Açıklama	Fonksiyon
1	Giriş Tuşu	Canlı görüntüleme arayüzüne dönmek için dokununuz.
2	Dosya Tuşu	Albümlere girmek için dokununuz.
3	Ayarlar Tuşu	Ayarlar ara yüzüne girmek için dokununuz.
4	Flaş Işığı	Nesneleri aydınlatın ve yanıp sönen uyarı verin.



- | | | |
|---|-------------|----------------------------|
| 5 | Termal Lens | Termal görüntüyü gösterir. |
| 6 | Optik Lens | Optik görüntüyü gösterir. |



No.	Açıklama	Fonksiyon
7	Güç Tuşu	Cihazı açmak/kapatmak için basılı tutun.
8	Yakalama Tuşu	<ul style="list-style-type: none">● Canlı görüntüleme moduna basın: anlık görüntü yakalayın/kaydı durdurun● Menü moduna basın: canlı görüntüleme arayüzüne dönün● Basılı tutun: kaydetmeye başlar
9	Tripod Montajı	Tripod'u kurun.
10	Askı Bağlantı Noktası	Askıyı takın.
11	Gösterge	Cihazın şarj durumunu belirtir. <ul style="list-style-type: none">● Sabit kırmızı: normal şekilde şarj oluyor● Yanıp sönen kırmızı: şarj özel durumu● Sabit yeşil: tamamen şarj olmuş
12	Tip-C Arayüz	Cihazı şarj edin veya Type-C kabloyla dosyaları dışa aktarın.
13	Sesli Sinyal	Sesli alarm çıkışı.
14	Mikrofon	Sesi kaydeder.

Sıcaklık Ölçümü

Ortam sıcaklığı 15 °C ile 35 °C (59 °F ile 95 °F) arasında ve nesne sıcaklığı 0 °C (32 °F) üzerinde olduğunda dahili yüksek hassasiyetli IR dedektörü ve yüksek performanslı sensör ile sıcaklık ölçüm aralığı -20 °C ile 400 °C (-4 °F ile 752 °F) arasında ve sıcaklık ölçüm doğruluğu ± 2 °C ($\pm 3,6$ °F) veya %2'dir.

Aşağı Kaydırılan Menü

Aşağı kaydırılan menüde parlaklığı ayarlayabilir ve Wi-Fi, Bluetooth, Etkin Nokta, Screen Cast, flaş ışığı, Otomatik Döndürme ve Karanlık/Parlak Mod gibi işlevleri etkinleştirebilirsiniz.

İstemci Yazılım Bağlantısı

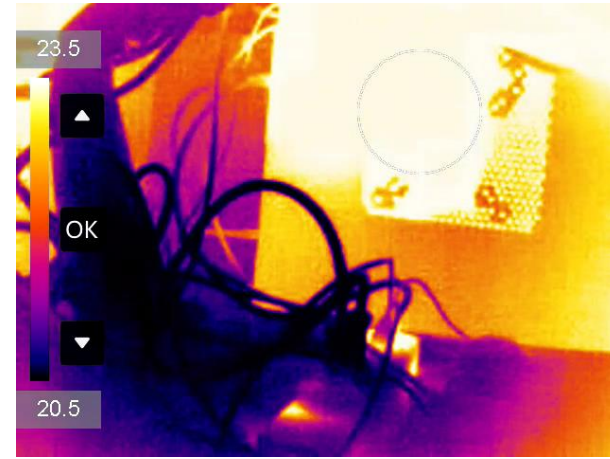
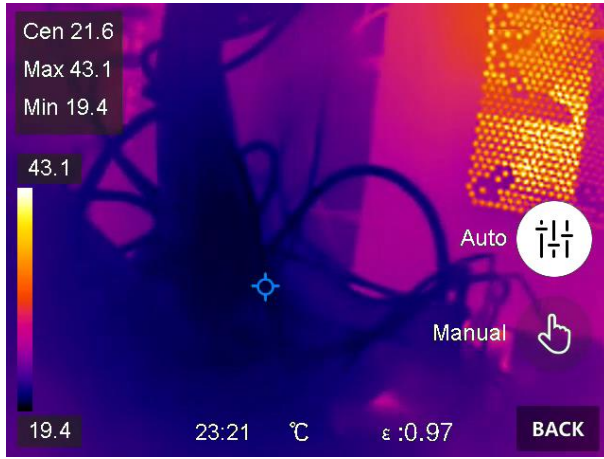
Telefonunuzda HIKMICRO Viewer uygulaması aracılığıyla canlı görüntüyü izleyebilir, anlık görüntüler alabilir ve video kaydedebilirsiniz. Uygulamayı indirmek için kapaktaki QR kodunu tarayın.

Resimleri çevrim dışı profesyonel şekilde analiz etmek ve bilgisayarınızda özel biçimli bir rapor oluşturmak için HIKMICRO Analyzer uygulamasını (<https://www.hikmicrotech.com>) indirebilirsiniz.

Görüntü Ayarlama

Daha iyi ısı farkı analizi için iyi bir termal efekt elde etmek üzere Seviye ve Aralık manuel veya otomatik olarak ayarlanabilir.

Otomatik modda cihaz, ısı aralığı parametrelerini otomatik olarak ayarlar. Manuel modda ekranın bir ilgi alanına dokunabilir veya görüntülenecek sıcaklık aralığını ayarlamak için ekranın sol tarafında bulunan oklara dokunabilirsiniz.



Not: Kameranız, görüntü kalitesini ve ölçüm doğruluğunu en uygun hale getirmek için belirli aralıklarla kendi kendine kalibrasyon işlemi gerçekleştirir. Bu işlem esnasında görüntü kısa süreli duraklatılır ve dedektörün önünde hareket ederken bir "klik" sesi duyarsınız. Cihaz kendisini kalibre ederken ekranın üst orta kısmında “Kalibre ediliyor ...” iletisi görüntülenir. Kendi kendine kalibrasyon, başlatma sırasında veya çok soğuk ya da sıcak ortamlarda daha sık gerçekleşir. Bu, kameranız için en iyi performansı sağlamak üzere işlemin normal bir kısmıdır.

Kullanım Kılavuzu

Kullanıma yönelik ayrıntılar için kullanma kılavuzunu edinmek için QR kodu tarayın.




Yasal Bilgiler

©2022 Hangzhou Microimage Software Co., Ltd. Tüm hakları saklıdır.

Bu Kılavuz hakkında

Kılavuz, Ürünün kullanımı ve yönetimi ile ilgili talimatları içerir. Resimler, çizelgeler, görüntüler ve buradaki diğer tüm bilgiler, yalnızca tanımlama ve açıklama amaçlıdır. Kılavuzda bulunan bilgiler, yazılım güncellemeleri veya başka nedenlerden dolayı önceden haber verilmeksizin değiştirilebilir. Lütfen bu Kılavuzun en son sürümünü için HIKMICRO web sitesine (www.hikmicrotech.com/) bakın. Lütfen bu Kılavuzu, Ürünü destekleme konusunda eğitilmiş profesyonellerin rehberliği ve yardımı ile kullanın.

Ticari Markalar Onayı

 HIKMICRO ve diğer HIKMICRO ticari markaları ve logoları, çeşitli yargı alanlarında HIKMICRO'nun özellikleridir. Bahsedilen diğer ticari markalar ve logolar ilgili sahiplerinin mülkiyetindedir.

YASAL UYARI


YÜRÜRLÜKTEKİ YASALARIN İZİN VERDİĞİ AZAMI ÖLÇÜDE, BU KILAVUZ VE AÇIKLANAN ÜRÜN, DONANIMI, YAZILIMI VE ÜRÜN YAZILIMI İLE "OLDUĞU GİBİ" VE "TÜM ARIZALAR VE HATALAR İLE " SAĞLANIR. HIKMICRO, SINIRLAMA, SATILABİLİRLİK, KALİTE MEMNUNİYETİ VEYA BELİRLİ BİR AMACA UYGUNLUK DAHİL, AÇIK VEYA ZİMNİ HİÇBİR GARANTİ VERMEZ. ÜRÜNÜN SİZİN TARAFINIZDAN KULLANIMI KENDİ SORUMLULUĞUNUZDADIR. HIKMICRO HİÇBİR DURUMDA, BU ÜRÜNÜN KULLANIMI İLE BAĞLANTILI OLARAK, HIKMICRO BU TÜR HASARLARIN OLASILIĞI HAKKINDA BİLGİLENDİRİLMİŞ OLSA BİLE, İŞ KARLARININ KAYBI, İŞ KESİNTİSİ, VERİ KAYBI, SİSTEM KESİNTİSİ, BELGE

KAYBI, SÖZLEŞMENİN İHLALİ (İHMAL DAHİL), ÜRÜN SORUMLULUĞU GİBİ ZARARLAR DA DAHİL OLMAK ÜZERE, ÖZEL, SONUÇSAL, TESADÜFİ VEYA DOLAYLI ZARARLAR İÇİN SİZE KARŞI SORUMLU OLMAYACAKTIR. HIKMICRO'NUN, İNTERNETİNİN DOĞAL GÜVENLİK RİSKLERİNİN GETİRDİĞİ SİBER SALDIRI, HACKER SALDIRISI, HACKER SALDIRISI, VİRÜS BULAŞMASINDAN KAYNAKLANAN ANORMAL ÇALIŞMA, GİZLİLİK SIZINTISI VEYA DİĞER ZARARLARDAN HERHANGİ BİR SORUMLULUK ALMAYACAĞINI KABUL EDİYORSUNUZ; ANCAK HIKMICRO, GEREKİRSE ZAMANINDA TEKNİK DESTEK SAĞLAYACAKTIR.

BU ÜRÜNÜ GEÇERLİ TÜM YASALARA UYGUN OLARAK KULLANMAYI KABUL EDİYORSUNUZ VE KULLANIMINIZIN GEÇERLİ YASALARA UYGUN OLMASINI SAĞLAMAKTAN YALNIZCA SİZ SORUMLUSUNUZ. ÖZELLİKLE, BU ÜRÜNÜ, SINIRLAMA OLMASIZIN, TANITIM HAKLARI, FİKRİ MÜLKİYET HAKLARI VEYA VERİ KORUMA VE DİĞER GİZLİLİK HAKLARI DA DAHİL OLMAK ÜZERE ÜÇÜNCÜ TARAFLARIN HAKLARINI İHLAL ETMEYECEK ŞEKİLDE KULLANMAKTAN SİZ SORUMLUSUNUZ. BU ÜRÜNÜ, KİTLE İMHA SİLAHLARININ GELİŞTİRİLMESİ VEYA ÜRETİMİ, KİMYASAL VEYA BİYOLOJİK SİLAHLARIN GELİŞTİRİLMESİ VEYA ÜRETİMİ, HERHANGİ BİR NÜKLEER PATLAYICI VEYA GÜVENLİ OLMAYAN NÜKLEER YAKIT DÖNGÜSÜ İLE İLGİLİ HERHANGİ BİR FAALİYETTE VEYA İNSAN HAKLARI İHLALLERİNİ DESTEKLEMENİN DE DAHİL YASAKLANMIŞ SON KULLANIMLAR İÇİN KULLANAMAZSINIZ. BU KILAVUZ İLE İLGİLİ YASA ARASINDA HERHANGİ BİR ÇELİŞKİ OLMASI DURUMUNDA, İKİNCİSİ GEÇERLİDİR.

Mevzuat Bilgisi

AB Uygunluk Beyanı

 Bu ürün ve (varsa) birlikte verilen aksesuarlar ayrıca "CE" ile işaretlenmiştir ve bu nedenle 2014/30/EU (EMCD) Direktifi, 2014/35/EU (LVD) Direktifi ve 2011/65/EU (RoHS) Direktifi altında listelenen geçerli uyumlaştırılmış Avrupa standartlarına uygundur.

5 GHz bandındaki kısıtlamalar:

2014/53/EU Yönergesi Madde 10 (10) uyarınca, 5150 ila 5350 MHz frekans aralığında çalışırken, bu cihaz aşağıdaki ülkelerde iç mekan kullanımı ile sınırlandırılmıştır: Avusturya (AT), Belçika (BE), Bulgaristan (BG), Hırvatistan (HR), Kıbrıs (CY), Çek Cumhuriyeti (CZ), Danimarka (DK), Estonya (EE), Finlandiya (FI), Fransa (FR), Almanya (DE), Yunanistan (EL), Macaristan (HU), İzlanda (IS), İrlanda (IE), İtalya (IT), Letonya (LV), Lihtenştayn (LI), Litvanya (LT), Lüksemburg (LU), Malta

(MT), Hollanda (NL), Kuzey İrlanda (BK(NI)), Norveç (NO), Polonya (PL), Portekiz (PT), Romanya (RO), Slovakya (SK), Slovenya (SI), İspanya (ES), İsveç (SE), İsviçre (CH) ve Türkiye (TÜR).

Frekans bantları ve bu telsiz cihazı için geçerli (yayımlı ve/veya iletim yoluyla) iletilen gücünün nominal limitleri şöyledir:

Wi-Fi: 2,4 GHz (2,4 GHz ila 2,4835 GHz): 20 dBm; 5 GHz (5,15 GHz ila 5,25 GHz): 23 dBm; 5 GHz (5,25 GHz ila 5,35 GHz): 23 dBm; 5 GHz (5,47 GHz ila 5,725 GHz): 23 dBm; 5 GHz (5,725 GHz ila 5,85 GHz): 14 dBm

Bluetooth: 2,4 GHz (2,4 GHz ila 2,4835 GHz): 20 dBm

Yetkili bir üretici tarafından sağlanan güç adaptörünü kullanın. Ayrıntılı güç gereksinimleri için ürün özelliklerine bakın.

Yetkili üretici tarafından sağlanan pili kullanın. Ayrıntılı pil gereksinimleri için ürün özelliklerine bakın.



2012/19/EU Direktifi (WEEE direktifi): Bu simgeyle işaretlenen ürünler, Avrupa Birliği'nde ayrıştırılmamış belediye atığı olarak yok edilemez. Doğru geri dönüşüm için, eşdeğer yeni ekipman satın aldıktan sonra bu ürünü yerel tedarikçinize iade edin veya belirtilen toplama noktalarında imha edin. Daha fazla bilgi için bkz: www.recyclethis.info



2006/66/EC Direktifi ve değişiklik 2013/56/EU (batarya direktifi): Bu ürün, Avrupa Birliği'nde ayrıştırılmamış belediye atığı olarak imha edilemeyen bir pil içerir. Özel pil bilgileri için ürün belgelerine bakın. Pil, kadmiyum (Cd), kurşun (Pb) veya cıva (Hg) içerebildiğini belirtmek bu simgeyle işaretlenmiştir. Doğru geri dönüşüm için pili tedarikçinize veya belirlenmiş bir toplama noktasına iade edin. Daha fazla bilgi için bkz: www.recyclethis.info.

Güvenlik Talimatı

Bu talimatlar ile tehlikeleri veya mal kayıplarını önlemek için kullanıcının ürünü doğru şekilde kullanabilmesinin sağlanması amaçlanmıştır.

Yasalar ve Yönetmelikler

- Ürünün yerel elektrik güvenliği düzenlemelerine kesinlikle uygun şekilde kullanılması gerekmektedir.

Ulaşım

- Cihazı taşıırken orijinal ambalajının veya benzer bir ambalajın

içerisine koyun.

- Ambalajından çıkardıktan sonra tüm ambalajları ileride kullanmak üzere saklayın. Herhangi bir arıza meydana gelmesi halinde cihazı orijinal sargısıyla birlikte fabrikaya iade etmeniz gerekir. Orijinal ambalajı olmadan taşımak cihaza zarar verebilir bu durumda şirket hiçbir sorumluluk kabul etmeyecektir.
- Ürünü düşürmeyin veya fiziksel darbeye maruz bırakmayın. Cihazı manyetik parazitten uzak tutun.

Güç Kaynağı

- Giriş voltajı, IEC62368 standardına göre Sınırlı Güç Kaynağını (3,85 VDC, 570 mA) karşılamalıdır. Ayrıntılı bilgi için lütfen teknik özelliklere bakın.
- Fişin elektrik prizine düzgün şekilde takıldığından emin olun.
- Aşırı yükten kaynaklı aşırı ısınmayı veya yangın tehlikelerini önlemek için bir güç kaynağına birden fazla cihaz TAKMAYIN.
- Yetkili bir üretici tarafından sağlanan güç adaptörünü kullanın. Ayrıntılı güç gereksinimleri için ürün özelliklerine bakın.

Pil

- İlk kez kullanmadan önce lütfen cihazı 3 saat şarj edin.
- Pilin yanlış kullanımı veya değiştirilmesi patlama tehlikesine neden olabilir. Yalnızca aynı veya eşdeğer tipte batarya ile değiştirin. Kullanılmış pilleri, pil üreticisi tarafından sağlanan talimatlara uygun olarak imha edin.
- Dahili pil sökülemez. Gerekliyse onarım için lütfen üreticiyle iletişime geçin.
- Verilen şarj cihazıyla diğer pil türlerini şarj etmeyin. Şarj sırasında şarj cihazının 2 m yakınında yanıcı malzeme bulunmadığını doğrulayın.
- Pil uzun süre kullanılmadan saklanacaksa pilin kalitesinin devam ettirilmesi için her altı ayda bir tam olarak şarj edilmesini sağlayın. Aksi takdirde hasar meydana gelebilir.
- Yetkili üretici tarafından sağlanan pili kullanın. Ayrıntılı pil gereksinimleri için ürün özelliklerine bakın.
- Pili ısıtma veya ateş kaynağının yakınına YERLEŞTİRMEYİN. Doğrudan güneş ışığından kaçının.
- Kimyasal yanıklardan kaçınmak için pili YUTMAYIN.
- Pili çocukların ulaşabileceği bir yere YERLEŞTİRMEYİN.
- Cihaz kapalıyken ve RTC pili dolu olduğunda zaman ayarları 6 ay boyunca saklanabilir.
- İlk kullanımda cihazı, kapalı olarak 2,5 saatten uzun bir süre şarj

edin.

- Pil voltajı 3,85 V ve pil kapasitesi 2.100 mAh'dir.
- Pil UL2054 tarafından onaylanmıştır.

Bakım

- Ürün düzgün şekilde çalışmıyorsa lütfen bayiinizle veya en yakın servis merkeziyle iletişime geçin. Yetkisiz onarım veya bakımdan kaynaklanan sorunlar için herhangi bir sorumluluk kabul etmeyiz.
- Cihazın birkaç parçası (ör. Elektrolitik kapasitör) düzenli olarak değiştirilmelidir. Ortalama parça ömrü değişiklik göstermektedir bu nedenle periyodik kontrol önerilmektedir. Ayrıntılar için satıcınızla iletişime geçin.
- Cihazı temiz bir bez ve gerekirse az miktarda etanol ile hafifçe silin.
- Ekipman, üretici tarafından belirtilmeyen bir şekilde kullanılırsa cihaz tarafından sağlanan koruma bozulabilir.

Kalibrasyon Hizmeti

- Cihazı yılda bir kez kalibrasyon için geri göndermenizi öneririz. Bakım noktaları hakkında bilgi için lütfen yerel bayi ile iletişime geçin. Daha ayrıntılı kalibrasyon hizmetleri için lütfen bkz. <https://www.hikmicrotech.com/en/calibrationservices/2>.

Kullanma Ortamı

- Cihazı aşırı sıcak, soğuk, tozlu, aşındırıcı, tuzlu-alkali veya rutubetli ortamlara maruz bırakmayın. Çalışma ortamının cihazın gereksinimlerini karşıladığından emin olun. Çalışma sıcaklığı -10°C ila 50°C (14°F ila 122°F) ve çalışma nemi % 95 veya daha az olmalıdır.
- Bu cihaz sadece deniz seviyesinden 2000 metre yüksekliğin altındaki bölgede güvenle kullanılabilir.
- Cihazı, kuru ve iyi havalandırılan bir ortama yerleştirin.
- Cihazı yüksek elektromanyetik radyasyona sahip veya tozlu ortamlarda BULUNDURMAYIN.

- Lensi, güneşe veya herhangi bir parlak ışığa doğru tutmayın.
- Herhangi bir lazer ekipmanı kullanılırken cihaz merceğinin, lazer ışınına maruz kalmadığından emin olun aksi takdirde yanabilir.
- Cihaz iç ve dış mekanlarda kullanıma uygundur ancak ıslak ortamlarda bırakmayınız.
- Koruma seviyesi IP 54'tür.
- Kirlilik derecesi 2'dir.

Teknik Destek

- <https://www.hikmicrotech.com> portalı bir HIKMICRO müşterisi olarak HIKMICRO ürünlerinizden en iyi şekilde yararlanmanıza yardımcı olacaktır. Portal, destek ekibimize, yazılım ve belgelere, hizmet bağlantılarına vb. erişmenizi sağlar.

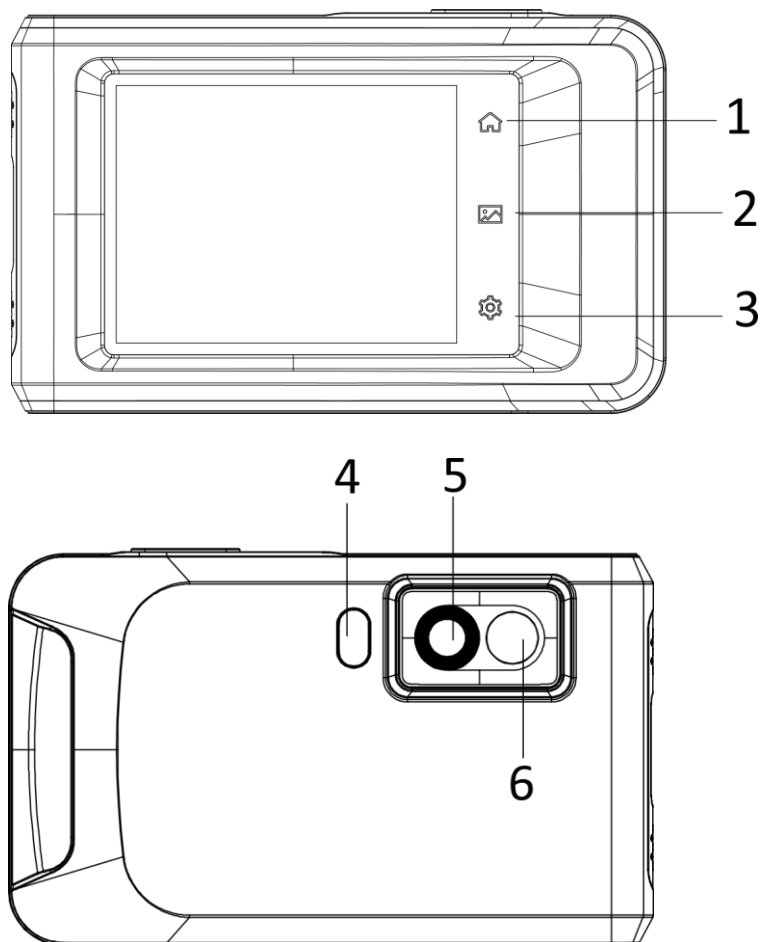
Acil Durum

- Cihazdan duman, koku veya ses geliyorsa hemen gücü kapatarak güç kablosunun bağlantısını kesin ve servis merkeziyle iletişime geçin.

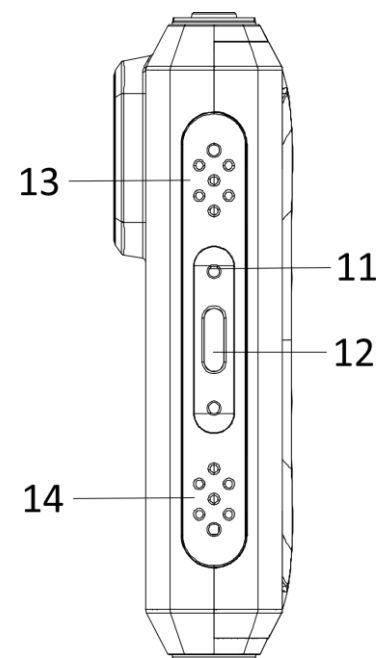
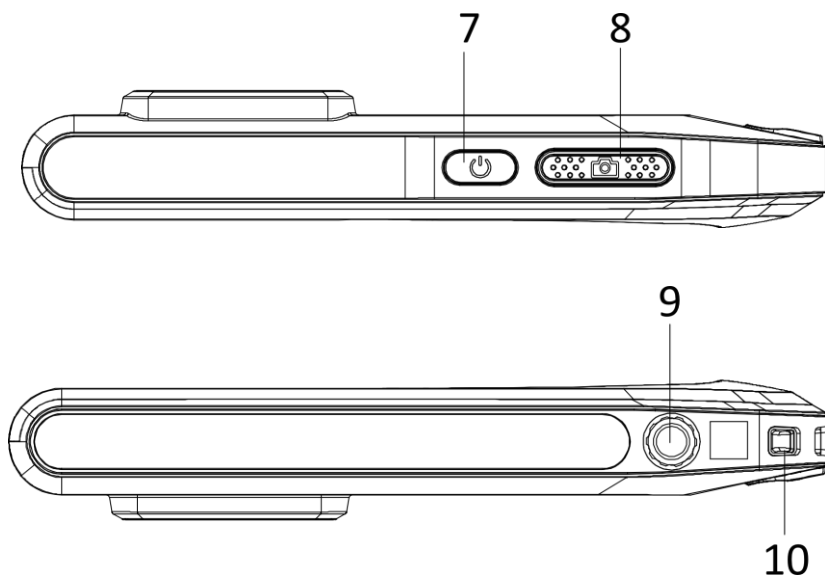
Üretim Adresi

Oda 313, Birim B, Bina 2, 399 Danfeng Caddesi, Xixing Nahiyesi, Binjiang Bölgesi, Hangzhou, Zhejiang 310052, Çin
Hangzhou Microimage Software Co., Ltd.

UYGUNLUK BİLDİRİMİ: Termal serisi ürünler, sınırlama olmaksızın Amerika Birleşik Devletleri, Avrupa Birliği, Birleşik Krallık ve / veya Wassenaar Düzenlemesinin diğer üye ülkeleri dahil olmak üzere çeşitli ülke veya bölgelerde ihracat kontrollerine tabi olabilir. Termal serisi ürünleri farklı ülkeler arasında transfer etmeyi, ihraç etmeyi veya yeniden ihraç etmeyi düşünüyorsanız, lütfen gerekli ihracat lisansı gereklilikleri için profesyonel hukuk veya uyum uzmanınıza veya yerel hükümet yetkililerine danışın.



番号	説明	機能
1	ホームキー	タップするとライブビューインターフェイスに戻ります。
2	ファイルキー	タップするとアルバムに移動します。
3	設定キー	タップすると設定インターフェイスに進みます。
4	フラッシュライト	対象物を照らし、点滅アラームを出力します。
5	サーマルレンズ	サーマル画像を表示します。
6	光学レンズ	光学画像を表示します。



番号	説明	機能
7	電源キー	長押しすると、電源のオン/オフが切り替わります。
8	キャプチャーキー	<ul style="list-style-type: none"> ● ライブビューモードで押す：スナップショットをキャプチャします/記録を停止します ● メニューモードで押す：ライブビューインターフェイスに戻ります ● 長押し：録画を開始します
9	三脚マウント	三脚を取り付けます。
10	ストラップ取付ポイント	ストラップを取り付けます。

11	インジケータ	<p>デバイスの充電状態を表示します。</p> <ul style="list-style-type: none"> ● 赤で点灯：正常に充電 ● 赤で点滅：充電に異常あり ● 緑で点灯：満充電
12	Type-Cインターフェイス	Type-Cケーブルで、デバイスを充電したり、ファイルをエクスポートすることができます。
13	ブザー	警報音を出力します。
14	マイク	音声録音。

温度測定

高感度IR検出器と高性能センサーを内蔵し、温度測定範囲は-20℃から400℃（-4°Fから752°F）で、精度は±2℃（±3.6°F）または周囲温度が15℃から35℃（59°Fから95°F）で、測定対象の温度が0℃（32°F）を超えている場合は±2%です。

スワイプダウンメニュー

スワイプダウンメニューで明るさを調整したり、Wi-Fi、Bluetooth、ホットスポット、スクリーンキャスト、フラッシュライト、自動回転、ダーク/ブライトモードなどの機能を有効にすることができます。

クライアントソフトウェアの接続

HIKMICROビューアアプリを使用すると、スマートフォンでライブビューの表示、スナップショット

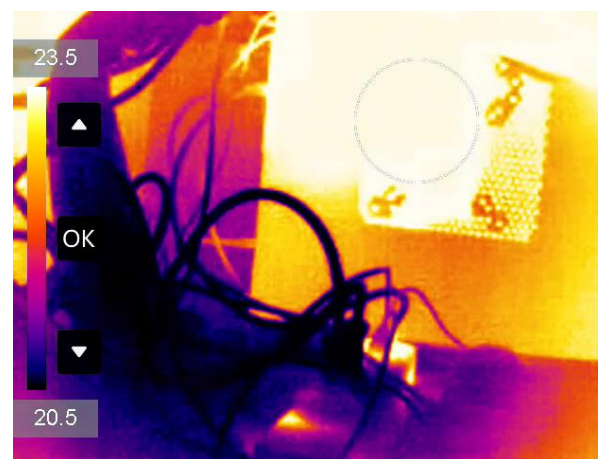
のキャプチャーおよびビデオの録画を行うことができます。カバーのQRコードをスキャンして、アプリをダウンロードします。

また、HIKMICROアナライザーをダウンロードすると (<https://www.hikmicrotech.com>)、PCでオフラインで画像をプロフェッショナルに分析し、カスタムフォーマットのレポートを作成することができます。

画像設定

レベル&スパンは手動または自動で調整でき、より良い温度差分析のための最適な熱効果を得ることができます。

自動モードでは、デバイスは温度範囲パラメーターを自動的に調整します。手動モードでは、画面の関心ある領域をタップするか、画面左側の矢印をタップして、表示する温度範囲を調整することができます。



注：本カメラは、画質と測定精度を最適化するために、定期的に自己キャリブレーションを実行します。このプロセスで、画像が短時間静止し、検知器の前でシャッターが動く際に「カチッ」という音が聞こえます。デバイスのキャリブレーション中は、画面の上部中央に「キャリブレーション中・・・」というプロンプトが表示されます。起動中や、非常に低温または高温の環境では、自己キャリブレーションがより頻繁に実行されます。これは、カメラの最適な性能を確保するための正常な動作です。

ユーザーマニュアル

詳しい操作方法については、QRコードを読み取ってユーザーマニュアルでご確認ください。



法的情報


©2022 Hangzhou Microimage Software Co., Ltd. 禁・無断複製。

本マニュアルについて

本マニュアルには製品の使用および管理についての指示が含まれています。ここに記載されている写真、表、画像およびその他すべての情報は説明のみを目的としています。本マニュアルに含まれる情報は、ファームウェア更新やその他の理由で通知なく変更されることがあります。HIKMICROのサイト

(www.hikmicrotech.com/) で、本書の最新版をご覧ください。本マニュアルは、本製品をサポートする訓練を受けた専門家の指導・支援を受けた上でご使用ください。

商標に関する確認

 HIKMICRO およびその他のHIKMICROの商標とロゴは、様々な裁判官轄地域におけるHIKMICROの所有物です。言及されているその他の商標およびロゴは、各権利保有者の所有物です。

法的免責事項

適用法で認められる最大限の範囲で、本マニュアルおよび説明されている製品（ハードウェア、ソフトウェア、および本製品を含む）は、「現状のまま」および「すべての欠陥とエラーがある」状態で提供されます。HIKMICROでは、明示あるいは黙示を問わず、商品性、満足な品質、または特定目的に対する適合性などを一切保証しません。本製品は、お客様の自己責任においてご利用ください。HIKMICROは、本製品の利用に関連する事業利益の損失や事業妨害、データの損失、システムの障害、文書の損失に関する損害を含む特別、必然、偶発または間接的な損害に対して、それが契約に対する違反、不法行為(過失を含む)、製品の責任または製品の使用に関連するものであっても、たとえHIKMICROがそうした損害および損失について通知を受けていたとしても、一切の責任を負いません。

お客様は、インターネットにはその性質上固有のセキュリティリスクがあることを了解し、異常動作、プライバシーの流出、またはサイバー攻撃、ハッカー攻撃、ウィルス感染等のインターネットセキュリティリスクによる損害について、HIKMICROは一切責任


を負いません。ただし、必要に応じてHIKMICROは適時技術的サポートを提供します。

お客様には、すべての適用法に従って本製品を利用し、さらにご自分の利用法が適用法を順守していることを確認する責任があります。特に、肖像権、知的財産権、またはデータ保護等のプライバシー権を非限定的に含むサードパーティの権利を侵害しない手段で本製品を利用する責任があります。大量破壊兵器の開発や生産、化学兵器・生物兵器の開発や生産、核爆発物や危険な核燃料サイクル、または人権侵害に資する活動を含む、禁じられている最終用途の目的で本製品を使用してはなりません。

本マニュアルと適用法における矛盾がある場合については、後者が優先されます。

規制情報

EU 適合宣言

 本製品および同梱の周辺機器(適用可能な場合)には「CE」マークが付いており、指令(2014/30/EU)(EMCD)、指令(2014/35/EU)(LVD)、およびRoHS指令(2011/65/EU)に掲げる適用可能な欧州統一基準に準拠します。

5GHz帯での制限：

指令2014/53/EUの第10条(10)によると、次の地域では、5150～5350MHzの周波数帯でのこのデバイスの操作は屋内での使用に制限されています。オーストリア(AT)、ベルギー(BE)、ブルガリア(BG)、クロアチア(HR)、キプロス(CY)、チェコ(CZ)、デンマーク(DK)、エストニア(EE)、フィンランド(FI)、フランス(FR)、ドイツ(DE)、ギリシャ(EL)、ハンガリー(HU)、アイスランド(IS)、アイルランド(IE)、イタリア(IT)、ラトビア(LV)、リヒテンシュタイン(LI)、リトアニア(LT)、ルクセンブルグ(LU)、マルタ(MT)、オランダ(NL)、北アイルランド(UK(NI))、ノルウェー(NO)、ポーランド(PL)、ポルトガル(PT)、ルーマニア(RO)、スロバキア(SK)、スロベニア(SI)、スペイン(ES)、スウェーデン(SE)、スイス(CH)、およびトルコ(TR)。

この無線デバイスに適用される周波数帯域および送信電力(放射および/または伝導)の公称制限は次の通りです。

Wi-Fi：2.4 GHz (2.4 GHz～2.4835 GHz)：20 dBm、5 GHz (5.15 GHz～

5.25 GHz)：23 dBm、5 GHz (5.25 GHz～5.35 GHz)：23 dBm、5 GHz (5.47 GHz～5.725GHz)：23 dBm、5 GHz (5.725 GHz～5.85 GHz)：14 dBm

Bluetooth：2.4 GHz (2.4 GHz～2.4835 GHz)：20dBm

正規メーカーより供給された電源アダプターを使用してください。電源の詳細な要件については、製品仕様を参照してください。

認定メーカーのバッテリーをご使用ください。バッテリーの詳細な要件については、製品仕様を参照してください。



指令2012/19/EU(WEEE 指令)：この記号が付いている製品は、欧州連合(EU)の地方自治体の未分別廃棄物として処分できません。適切にリサイクルするために、本製品は同等の新しい装置を購入する際に、お近くの販売業者に返却いただくか、指定された収集場所で処分してください。より詳細な情報については以下をご確認ください。www.recyclethis.info



指令2006/66/ECおよびその修正案2013/56/EU(バッテリー指令)：本製品には、欧州連合(EU)の地方自治体の未分別廃棄物として処分できないバッテリーが含まれています。特殊バッテリー情報に関する製品資料をご覧ください。バッテリーにはこの記号が付いており、カドミウム(Cd)、鉛(Pb)、水銀(Hg)を示す文字も記載されています。適切にリサイクルするために、販売業者か、指定された収集場所にご返却ください。詳細については次のURLを参照してください：

www.recyclethis.info。

安全上の指示

これらの指示は、ユーザーが製品を正しく使用し、危険や財産損失を回避できるように保証することを目的としています。

法規と規則

- 製品の使用にあたって、お住まいの地域の電気安全性に関する法令を厳密に遵守する必要があります。

輸送

- 輸送中は、デバイスを元のパッケージまたは類似したパッケージに梱包してください。
- 開梱後は、後日使用できるように、梱包材を保存しておいてください。不具合が発生した場合、元の梱包材を使用して工場に

機器を返送する必要があります。元の梱包材を使用せずに返送した場合、破損が発生する恐れがありますが、その際に、当社は一切責任を負いません。

- 製品を落下させたり、物理的な衝撃を与えないでください。本器を電磁妨害から遠ざけてください。

電源

- 入力電圧は、IEC62368規格の制限電源（DC3.85V、570mA）を満たす必要があります。詳細情報に関しては技術仕様を参照してください。
- プラグが適切に電源ソケットに接続されていることを確認してください。
- 1台の電源アダプターに2台以上の機器を接続してはなりません。過負荷によって過熱したり、火災発生の危険があります。
- 正規メーカーより供給された電源アダプターを使用してください。電源の詳細な要件については、製品仕様を参照してください。

バッテリー

- 最初に使用する前に、デバイスを3時間以上充電してください。
- バッテリーの不適切な使用や交換を行うと、爆発の危険性があります。同一または同等のタイプのもとのみだけ交換してください。バッテリーのメーカーによって提供された指示に準拠して、使用済みバッテリーを処分してください。
- 内蔵バッテリーは取り外しできません。修理については必要に応じてメーカーにお問い合わせください。
- 付属の充電器で種類が異なるバッテリーを充電しないでください。充電中は、充電器の2m以内に可燃物がないことをご確認ください。
- バッテリーを長期保存する場合は、半年に一度はフル充電して、バッテリーの品質を保つようにしてください。これを怠った場合、破損の原因となります。
- 認定メーカーのバッテリーをご使用ください。バッテリーの詳細な要件については、製品仕様を参照してください。
- 暖房器具や火気の近くにバッテリーを置かないでください。直射日光を避けてください。
- 化学熱傷の恐れがありますので、絶対にバッテリーを飲み込まないでください。
- お子様の手の届くところにバッテリーを置かないでください。

- デバイスの電源がオフで、RTCバッテリーが満充電されている状態では、時間設定は6ヶ月間保持できます。
- 初回使用時は、電源オフの状態ですら2.5時間以上充電してください。
- バッテリー電圧は3.85V、バッテリー容量は2100mAhです。
- バッテリーはUL2054によって認定されています。

メンテナンス

- 製品が正しく動作しない場合、販売店または最寄りのサービスセンターに連絡してください。承認されていない修理や保守行為による問題について、当社はいかなる責任も負いません。
- 一部のデバイスコンポーネント（電解コンデンサなど）は、定期的に交換する必要があります。製品の平均寿命は変動するため、定期的な点検をお勧めします。詳細については、販売店にお問い合わせください。
- 必要ならば、エタノールを少量含ませたきれいな布でデバイスを静かに拭きます。
- メーカーが指定していない方法で使用した場合、デバイスが提供する保護機能が損なわれる恐れがあります。

キャリブレーションサービス

- 年に一度、キャリブレーションのためにデバイスを返送することをお勧めします。メンテナンス拠点については、最寄りの販売店にお問い合わせください。より詳細なキャリブレーションサービスについては、<https://www.hikmicrotech.com/en/calibrationservices/2> を参照してください。

使用環境

- デバイスを、極端な高温や低温、埃の多い環境、腐食性環境、塩アルカリ性環境、湿気の高い環境にさらさないでください。実行環境がデバイスの要件を満たしていることを確認します。動作温度は-10℃～50℃（14°F～122°F）で、動作湿度は95%以下です。
- デバイスは、海拔2,000メートル以下の地域でのみ安全に使用することができます。
- デバイスは、乾燥して換気の良い環境に配置してください。
- デバイスを強い電磁波や埃の多い環境にさらさないでください。
- レンズを太陽や極端に明るい場所に向けないでください。

- レーザー装置を使用している場合は、デバイスのレンズがレーザービームにさらされていないことを確認してください。焼損するおそれがあります。
- このデバイスは屋内および屋外での使用に適していますが、濡らさないようにご利用ください。
- 防水レベルはIP54です。
- 汚染度は2です。

テクニカルサポート

- <https://www.hikmicrotech.com>ポータルは、HIKMICROのお客様がHIKMICRO製品を最大限に活用するのに役立ちます。ポータルから、サポートチーム、ソフトウェアとドキュメント、サービスの連絡先などにアクセスできます。

緊急

- デバイスから煙や異臭、異音が発生した場合、すぐに電源を切

り、電源ケーブルを抜いて、サービスセンターにご連絡ください。

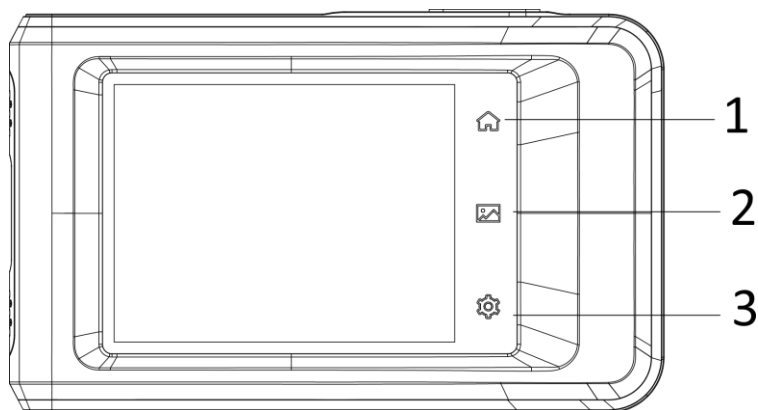
メーカー住所

310052 中国浙江省杭州市滨江区西興地区段鳳通り399号2棟ユニットB 313号室

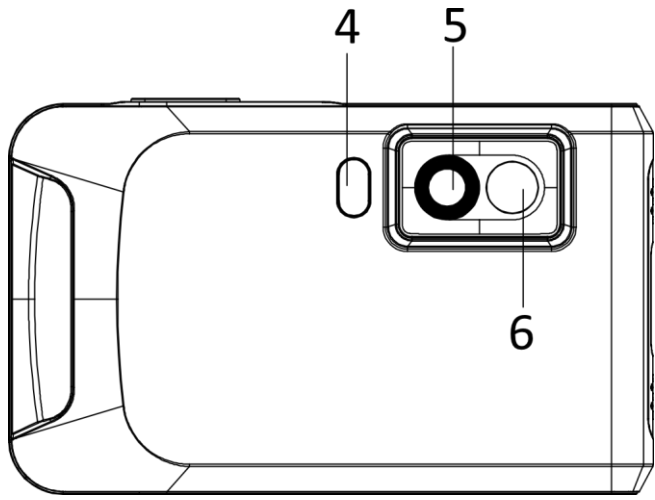
Hangzhou Microimage Software Co., Ltd.

法令順守通知：本サーマルシリーズ製品は、アメリカ合衆国、欧州連合、英国などワッセナー・アレンジメントの会員国を含むがそれだけに限定されない各国・各地域で、輸出管理の対象となる可能性があります。サーマルシリーズ製品を外国へ転送・輸出・再輸出する場合は、貴社の法務・コンプライアンス部門もしくは自国の政府機関に、輸出ライセンスの条件についてご確認ください。

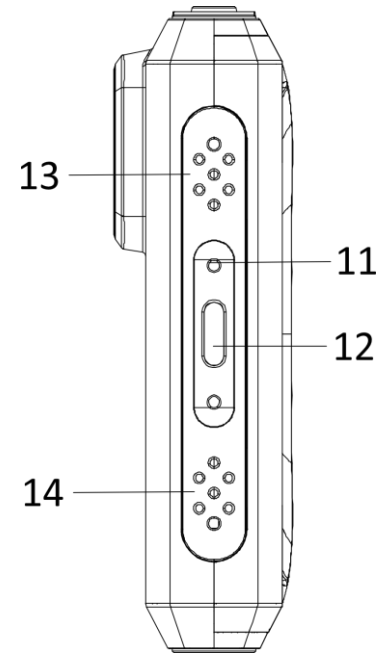
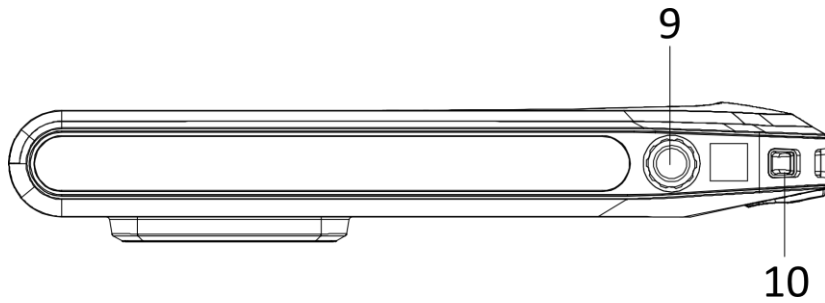
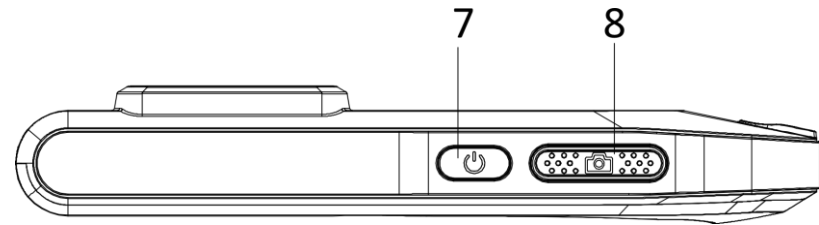
한국어



번호	설명	기능
1	Home 키	탭하여 실시간 보기 인터페이스로 돌아갑니다.
2	파일 키	탭하여 앨범으로 이동합니다.
3	설정 키	탭하여 설정 인터페이스로 이동합니다.



- | | | |
|---|------------|------------------------------|
| 4 | 플래시
라이트 | 대상에 빛을 비추고 플래시
알람을 생성합니다. |
| 5 | 열화상
렌즈 | 열화상 이미지를 봅니다. |
| 6 | 광학 렌즈 | 광학 이미지를 봅니다. |



번호	설명	기능
7	전원 키	길게 눌러서 장비를 켜고 끕니다.
8	캡처 키	<ul style="list-style-type: none"> ● 실시간 보기 모드에서 누름: 스냅샷 캡처/녹화 중지 ● 메뉴 모드에서 누름: 실시간 보기 인터페이스로 복귀 ● 길게 누름: 녹화 시작
9	삼각대 장착	삼각대를 장착합니다.
10	스트랩 부착 포인트	스트랩을 장착합니다.
11	표시등	<p>장비의 충전 상태를 표시합니다.</p> <ul style="list-style-type: none"> ● 빨간등 켜짐: 정상적으로 충전 중 ● 빨간등 깜빡임: 충전 비정상 ● 녹색등 켜짐: 충전 완료됨
12	Type-C 인터페이스	Type-C 케이블을 사용해 장비를 충전하거나 파일을 내보냅니다.
13	신호음	가청 알람을 생성합니다.
14	마이크	오디오를 녹음합니다.

온도 측정

내장된 고감도 IR 감지기 및 고성능 센서를 통한 온도 측정 범위는 $-20^{\circ}\text{C}\sim 400^{\circ}\text{C}$ ($-4^{\circ}\text{F}\sim 752^{\circ}\text{F}$)이며

온도 측정 정확도는 주변 온도가 15°C~35°C(59°F~95°F)이고 대상의 온도가 0°C(32°F) 이상일 때 $\pm 2^{\circ}\text{C}$

($\pm 3.6^{\circ}\text{F}$) 또는 2%입니다.

스вай프 다운 메뉴

스вай프 다운 메뉴에서 밝기를 조절할 수 있으며, Wi-Fi, 블루투스, 핫스팟, 스크린 캐스트, 플래시라이트, 자동 회전 및 다크/브라이트 모드 등의 기능을 활성화할 수 있습니다.

클라이언트 소프트웨어 연결

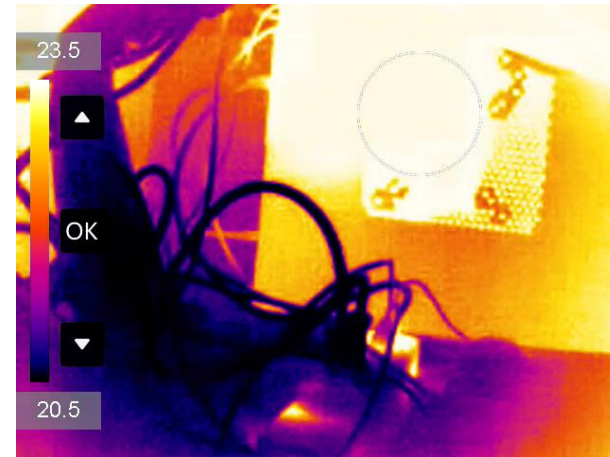
HIKMICRO Viewer 앱을 통해 휴대전화에서 실시간 보기를 확인하고 스냅샷을 캡처하고 비디오를 녹화할 수 있습니다. 커버에 있는 QR 코드를 스캔하여 앱을 다운로드합니다.

그러면 HIKMICRO Analyzer(<https://www.hikmicrotech.com>)를 다운로드하여 오프라인에서 사진을 전문적으로 분석하고 PC에서 사용자 지정 형식 보고서를 생성할 수 있습니다.

이미지 조정

더 효과적인 온도 차이 분석에 필요한 열 효과를 위해 레벨 & 스팬을 수동 또는 자동으로 조정할 수 있습니다.

자동 모드에서 장비는 온도 범위 매개변수를 자동으로 조정합니다. 수동 모드에서는 화면의 관심 영역을 탭하거나 화면 왼쪽의 화살표를 탭하여 표시되는 온도 범위를 조정할 수 있습니다.



노트: 이 카메라는 주기적으로 자체 보정을 수행하여 이미지 품질 및 측정 정확도를 최적화합니다. 이 과정에서 이미지가 잠깐 멈추고 셔터가 감지기 앞에서 움직일 때 "찰칵"하는 소리가 들립니다. 장비가 자체 보정하는 동안 화면 상단 중앙에 “보정 중 ...” 프롬프트가 표시됩니다. 자체 보정은 시동 중 또는 매우 춥거나 더운 환경에서 더 자주 발생합니다. 이는 카메라의 최적의 성능을 보장하기 위한 정상적인 작동 중 일부입니다.

사용 설명서

자세한 작동 지침은 QR 코드를 스캔하여 사용 설명서를 확인하십시오.



법률 정보


©2022 Hangzhou Microimage Software Co., Ltd. 판권 보유.

매뉴얼 소개

본 매뉴얼에는 제품의 사용 및 관리에 필요한 지침이

포함되어 있습니다. 매뉴얼의 그림, 차트, 이미지 및 기타 모든 정보는 설명용으로만 제공되는 것입니다. 매뉴얼에 포함된 정보는 펌웨어 업데이트 또는 다른 사유로 예고 없이 변경될 수 있습니다. 이 설명서의 최신 버전을 보려면 HIKMICRO 웹사이트(www.hikmicrotech.com/)를 참조하십시오. 본 매뉴얼은 제품 지원 교육을 받은 전문가의 안내 및 지원 하에 사용하십시오.

상표 등록

 HIKMICRO 및 기타 HIKMICRO의 상표와 로고는 여러 관할 시역에 등록된 HIKMICRO의 재산입니다. 기타 상표 및 로고는 각 소유자의 재산입니다.

법적 고지 사항

관련 법률에서 허용하는 최대 범위에서 본 매뉴얼 및 설명된 제품은 하드웨어, 소프트웨어와 펌웨어의 모든 결함 및 오류가 “있는 그대로” 제공됩니다. HIKMICRO는 상품성, 품질 만족도, 특정 목적에의 적합성 및 타사의 비침해를 포함하되 이에 국한되지 않고 명시적 또는 묵시적으로 보증하지 않습니다. 제품 사용 시 책임은 전적으로 사용자에게 있습니다. 어떠한 경우에도 HIKMICRO는 제품의 사용과 관련해 발생하는 특별한, 결과적, 부수적 또는 간접적 손해 및 특히 사업상의 이익 손실, 운영 중단으로 인한 손해 또는 데이터의 손실, 시스템 장애 또는 문서의 손실에 대해 계약 위반, 불법 행위(과실 책임 포함), 제조물 책임 또는 그 외 제품 사용 관련성과 관계없이 일절 책임지지 않으며 HIKMICRO이 해당 손상 또는 손실이 발생할 가능성을 권고한 경우에도 그렇습니다.


귀하는 인터넷의 특성상 본질적으로 보안 위험이 잠재해 있음을 인정하며, HIKMICRO는 사이버 공격, 해커 공격, 바이러스 감염 또는 기타 인터넷 보안 위험으로 인해 발생한 비정상 작동, 개인정보 유출 또는 기타 손해에 대해 일절 책임지지 않습니다. 그러나 HIKMICRO는 필요한 경우 시기적절하게 기술 지원을 제공합니다.

귀하는 해당되는 모든 법률을 준수해 본 제품을 사용하는 데 동의하며, 해당되는 법률을 준수해 사용하는 것은 전적으로 귀하의 책임입니다. 특히, 귀하는 퍼블리시티권, 지적 재산권, 데이터 보호 및 기타 개인 정보 보호권을 포함하되 이에 국한되지 않고 제3자의 권리를 침해하지 않는 방식으로 본

제품을 사용하는 것에 대해 책임을 집니다. 귀하는 대량 살상 무기 개발 또는 생산, 화학 또는 생물 무기 개발 또는 생산, 핵폭발 또는 안전하지 않은 핵연료 주기와 관련된 또는 인권 침해를 조장할 수 있는 개발 또는 생산을 포함해 금지된 최종 용도를 위해 본 제품을 사용하지 않습니다. 본 매뉴얼과 적용되는 법률 사이에 충돌이 발생하는 경우 법률이 우선합니다.

규제 정보

EU 적합성 선언

 본 제품은 물론 제공되는 액세서리(해당되는 경우)에도 "CE"가 표시되어 있으므로 Directive 2014/30/EU(EMCD), Directive 2014/35/EU(LVD), Directive 2011/65/EU(RoHS)에 명시된 적용되는 유럽 공통 표준을 준수합니다.

5GHz 대역의 제한 사항:

Directive 2014/53/EU의 10(10)조에 따라 5150~5350MHz 주파수 범위에서 작동하는 경우, 이 장비는 다음 국가에서 실내 사용으로 제한됩니다. 오스트리아(AT), 벨기에(BE), 불가리아(BG), 크로아티아(HR), 키프로스(CY), 체코 공화국(CZ), 덴마크(DK), 에스토니아(EE), 핀란드(FI), 프랑스(FR), 독일(DE), 그리스(EL), 헝가리(HU), 아이슬란드(IS), 아일랜드(IE), 이탈리아(IT), 라트비아(LV), 리히텐슈타인(LI), 리투아니아(LT), 룩셈부르크(LU), 몰타(MT), 네덜란드(NL), 북아일랜드(UK(NI)), 노르웨이(NO), 폴란드(PL), 포르투갈(PT), 루마니아(RO), 슬로바키아(SK), 슬로베니아(SI), 스페인(ES), 스웨덴(SE), 스위스(CH) 및 터키(TR).

이 무선 장비에 적용 가능한 주파수 대역 및 송신 출력(방사 및/또는 전도)의 명목 한계는 다음과 같습니다.

Wi-Fi: 2.4GHz(2.4GHz~2.4835GHz): 20dBm, 5GHz(5.15GHz~5.25GHz): 23dBm, 5GHz(5.25GHz~5.35GHz): 23dBm, 5GHz(5.47GHz~5.725GHz): 23dBm, 5GHz(5.725GHz~5.85GHz): 14dBm

블루투스: 2.4GHz(2.4GHz~2.4835GHz): 20dBm

공인 제조사에서 제공한 전원 어댑터를 사용하십시오. 자세한 전원 요구 사항은 제품 사양을 참조하십시오.

공인 제조사에서 제공한 배터리를 사용하십시오. 자세한 배터리 요건은 제품 사양을 참조하십시오.



Directive 2012/19/EU(WEEE 지침): 이 기호가 표시된 제품은 유럽 연합 내에서 분류되지 않은 일반폐기물로 폐기할 수 없습니다. 적절히 재활용하기 위해 동급 장비를 새로 구매할 때 현지 공급업체에 제품을 반납하거나 지정된 수거 장소에 폐기하십시오. 자세한 내용은 www.recyclethis.info를 참조하십시오.



Directive 2006/66/EC 및 개정 2013/56/EU(배터리 지침): 본 제품에는 유럽 연합 내에서 분류되지 않은 일반폐기물로 폐기할 수 없는 배터리가 포함되어 있습니다. 특정 배터리에 관한 자세한 내용은 제품 관련 문서를 참조하십시오. 이 기호가 표시된 배터리에는 카드뮴(Cd), 납(Pb) 또는 수은(Hg)을 나타내는 글자가 포함될 수 있습니다. 적절히 재활용하기 위해 공급업체에 배터리를 반납하거나 지정된 수거 장소에 폐기하십시오. 자세한 내용은 www.recyclethis.info를 참조하십시오.

KC

B급 기기: 이 기기는 가정용(B급) 전자파적합기기로서 주로 가정에서 사용하는 것을 목적으로 하며, 모든 지역에서 사용할 수 있습니다.

안전 지침

이 지침은 사용자가 제품을 올바르게 사용해 위험 또는 재산상의 손실을 방지하도록 하기 위해 제공되는 것입니다.

법률 및 규정

- 제품을 사용하려면 현지 전기 안전 규정을 엄격히 준수해야 합니다.

운반

- 장비를 운반할 때는 본래 포장재 또는 유사한 포장재에 장비를 놓으십시오.
- 포장을 푼 다음에는 나중에 사용할 수 있도록 모든 포장재를 보관하십시오. 고장이 발생할 경우에는 장비를 본래 포장 상태로 포장해 공장으로 반품해야 합니다. 본래 포장 상태로 운송하지 않으면 장비가 손상될 수 있으며, 회사는 일절 책임지지 않습니다.

- 제품을 떨어뜨리거나 물리적 충격을 가하지 마십시오. 장비가 전자파의 간섭을 받지 않도록 하십시오.

전원 공급 장치

- IEC62368 표준에 따라 입력 전압은 LPS(3.85 VDC, 570 mA)를 충족해야 합니다. 자세한 내용은 기술 사양을 참조하십시오.
- 플러그가 전원 소켓에 올바르게 연결되어 있는지 확인하십시오.
- 과부하로 인한 과열 또는 화재 위험을 방지하기 위해 하나의 전원 어댑터에 여러 장비를 연결하지 마십시오.
- 공인 제조사에서 제공한 전원 어댑터를 사용하십시오. 자세한 전원 요구 사항은 제품 사양을 참조하십시오.

배터리

- 처음 사용하기 전에 3시간 이상 장비를 충전하십시오.
- 부적절한 배터리를 사용하거나 교체하면 폭발의 위험을 초래할 수 있습니다. 동일하거나 동급 유형의 배터리로만 교체합니다. 사용한 배터리는 배터리 제조사가 제공하는 지침에 따라 폐기합니다.
- 내장된 배터리는 분해할 수 없습니다. 수리가 필요한 경우 제조사에 연락하십시오.
- 제공되는 충전기로 다른 유형의 배터리를 충전하지 마십시오. 충전하는 동안 충전기에서 2m 이내에 가연성 물질이 없도록 하십시오.
- 배터리를 장기간 보관하는 경우 배터리의 품질을 보장하기 위해 6개월마다 완충하십시오. 그렇지 않을 경우 손상될 수 있습니다.
- 공인 제조사에서 제공한 배터리를 사용하십시오. 자세한 배터리 요건은 제품 사양을 참조하십시오.
- 배터리를 열원 또는 화재 발생원 근처에 두지 마십시오. 직사광선을 피하십시오.
- 화학적 화상을 피하기 위해 배터리를 삼키지 마십시오.
- 배터리를 어린이의 손에 닿는 곳에 두지 마십시오.
- 장비의 전원이 꺼지고 RTC 배터리가 완전히 충전되면 시간 설정을 6개월 동안 유지할 수 있습니다.
- 처음 사용할 경우 전원을 끈 상태에서 2.5시간 이상 충전하십시오.
- 배터리 전압은 3.85V, 배터리 용량은 2100mAh입니다.
- 배터리는 UL2054 인증을 받았습니다.

유지 관리

- 제품이 제대로 작동하지 않을 경우 판매점 또는 가까운 서비스 센터에 문의하십시오. 당사는 무단 수리 또는 유지 관리로 인해 발생한 문제에 대해 일절 책임지지 않습니다.
- 장비의 일부 구성 요소(예: 전해 커패시터)는 주기적으로 교체해야 합니다. 평균 수명은 상황에 따라 다르므로 정기 점검을 권장합니다. 자세한 내용은 판매점에 문의하십시오.
- 필요한 경우 깨끗한 헝겊에 에탄올을 소량 묻혀 장비를 살살 닦아주십시오.
- 제조사가 지정하지 않은 방식으로 장비를 사용하는 경우 장비에 의해 제공되는 보호 성능이 손상될 수 있습니다.

보정 서비스

- 보정을 위해 1년에 한 번 장비를 정비소에 보내는 것이 좋으며, 정비소에 대한 정보는 지역 대리점에 문의하십시오. 보정 서비스에 관한 자세한 정보는 <https://www.hikmicrotech.com/en/calibrationservices/2>을 참조하십시오.

사용 환경

- 장비를 너무 뜨겁거나 차가운 곳, 먼지가 많거나 부식하기 쉬운 곳, 염분-알칼리성 환경 또는 습한 환경에 노출하지 마십시오. 작동 환경이 장비의 작동 요구 사항을 충족하도록 하십시오. 작동 온도는 $-10^{\circ}\text{C}\sim 50^{\circ}\text{C}$ ($14^{\circ}\text{F}\sim 122^{\circ}\text{F}$)여야 하며 작동 습도는 95% 이하여야 합니다.
- 이 장비는 해발 2000m 이하 지역에서만 안전하게 사용할 수 있습니다.
- 장비를 건조하고 통풍이 잘되는 환경에 두십시오.
- 장비를 전자파 방사가 높거나 먼지가 많은 환경에 노출하지 마십시오.

- 렌즈를 태양 또는 기타 밝은 빛에 조준하지 마십시오.
- 레이저 장비를 사용할 때는 장비 렌즈를 레이저 빔에 노출하지 마십시오. 그렇지 않으면 화재가 발생할 수 있습니다.
- 이 장비는 실내 및 실외 사용에 적합하지만 젖어 있는 환경에 노출하지 마십시오.
- 보호 수준은 IP 54입니다.
- 오염도는 2입니다.

기술 지원

- HIKMICRO 고객은 <https://www.hikmicrotech.com> 포털에서 HIKMICRO 제품 활용에 필요한 도움을 받을 수 있습니다. 이 포털을 통해 지원 팀, 소프트웨어 및 설명서, 서비스 담당자 등에 액세스할 수 있습니다.

비상 버튼

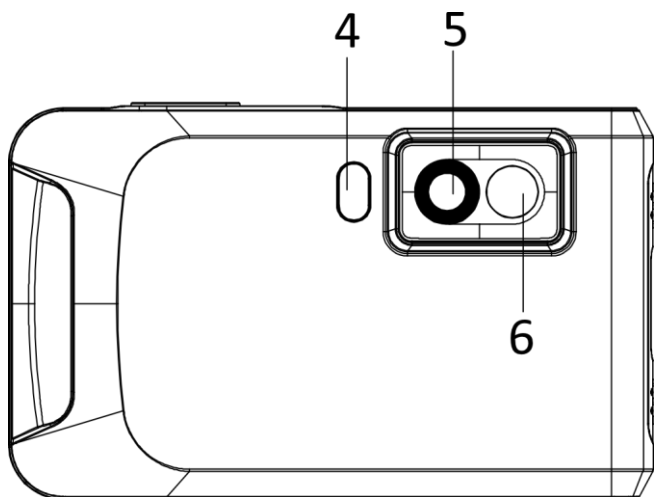
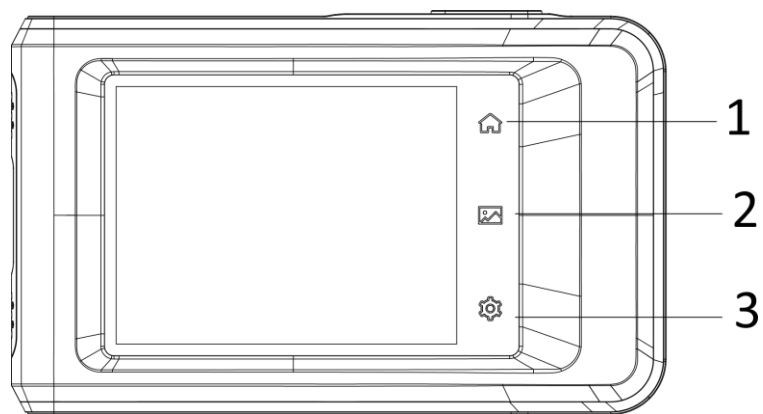
- 장비에서 연기, 냄새 또는 소음이 발생하면 즉시 전원을 끄고 전원 케이블을 뽑은 다음 서비스 센터에 연락하십시오.

제조사 주소

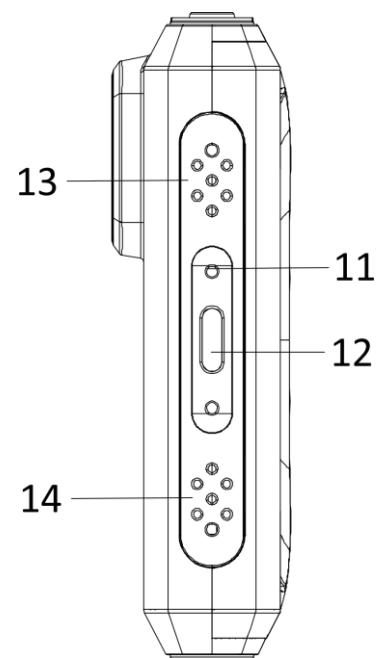
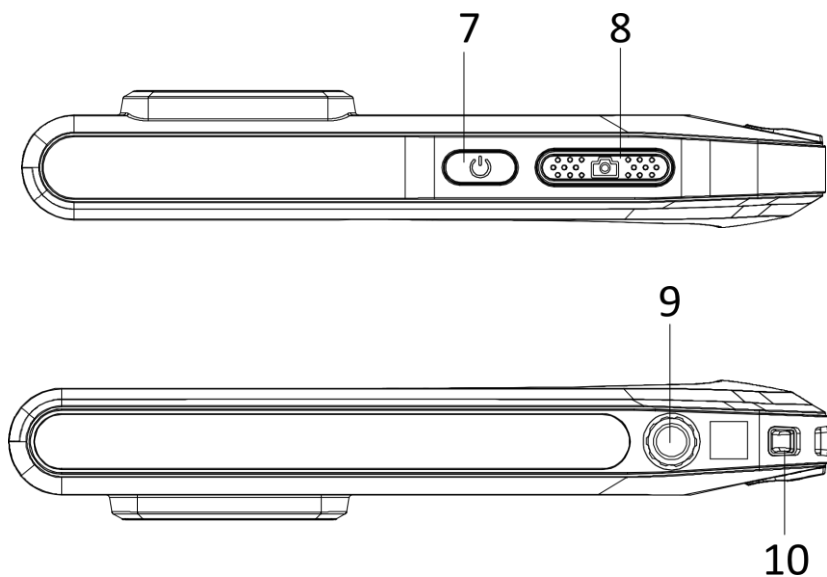
중국저장성310052항저우빈장구시싱하위지구단펑가 399 빌딩 2, B동, 룸 313
Hangzhou Microimage Software Co., Ltd.

규정 준수 알림: 열화상 시리즈 제품은 미국, 유럽 연합, 영국 및/또는 기타 바세나르 협정국을 포함하되 이에 국한되지 않고 여러 국가 및 지역의 수출 통제 대상이 될 수 있습니다. 열화상 시리즈 제품을 국가 간 운송, 수출, 재수출하려는 경우 필요한 수출 라이선스 요구 사항에 대해 법률 또는 규정 준수 전문가 또는 해당 국가의 정부 기관에 문의하십시오.

繁體中文



編號	說明	功能
1	歸位鍵	點案即可返回即時檢視畫面。
2	檔案鍵	點按可進入相簿。
3	設定鍵	點按可進入設定介面。
4	閃光燈	在物件上照射光線並輸出閃光警報。
5	熱像鏡頭	檢視熱影像。
6	光學鏡頭	檢視光學影像。



編號	說明	功能
7	電源鍵	按住可開啟/關閉裝置電源。
8	拍攝鍵	<ul style="list-style-type: none"> ● 在即時檢視中按下：拍攝快照/停止錄製 ● 在選單模式中按下：返回即時檢視介面 ● 按住：開始錄製
9	三腳架安裝	安裝三腳架。
10	吊帶附接點	安裝吊帶。

11	指示燈	指示裝置的充電狀態。 <ul style="list-style-type: none"> ● 恆亮紅色：充電正常 ● 閃爍紅燈：充電例外狀況 ● 恆亮綠色：充滿電
12	Type-C 介面	使用 Type-C 纜線為裝置充電或匯出檔案。
13	蜂鳴器	輸出聲音警報。
14	麥克風	錄音。

溫度測量

內建高靈敏度紅外線偵測器和高效能感測器，溫度測量範圍為 -20°C 至 400°C (-4°F 至 752°F)，並且當環境溫度為 15°C 至 35°C (59°F 至 95°F) 且物體溫度高於 0°C (32°F) 時，溫度測量準確度為 $\pm 2^{\circ}\text{C}$ ($\pm 3.6^{\circ}\text{F}$) 或 2%。

向下滑動選單

您可以在向下滑動選單中調整亮度，並且啟用諸如 Wi-Fi、藍牙、熱點、螢幕投射、閃光燈、自動旋轉以及暗色/明亮模式等功能。

連線客戶端軟體

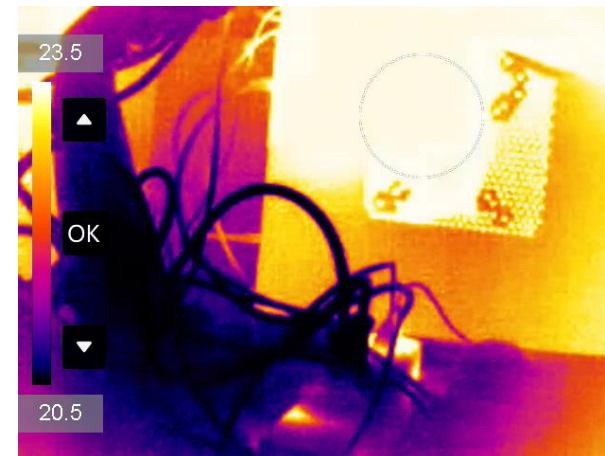
您可在手機上透過 HIKMICRO Viewer 應用程式觀看即時檢視、拍攝快照、以及錄製影片。掃描封面上的 QR 代碼以下載應用程式。

您可以下載 HIKMICRO Analyzer (<https://www.hikmicrotech.com>) 進行專業離線圖片分析，並在 PC 上產生自訂格式報告。

圖像調整

等級與跨度可手動或自動調整，以達到良好的熱效應，從而提升溫差分析。

在自動模式下，裝置自動調整溫度範圍參數。在手動模式下，您可以點按螢幕上感興趣的區域、或點按螢幕左側的箭頭以調整要顯示的溫度範圍。



註記：您的攝影機將定期執行自我校準以最佳化影像品質和測量準確度。在此過程中，影像會短暫暫停，當快門在偵測器前移動時，您會聽到「咔嚓」聲。當裝置進行自行校正時，螢幕中央上方會提示「校正中...」。在極冷或極熱環境中，開機期間的自我校正動作會更頻繁。這是確保攝影機達得最佳效能的正常操作部分。

使用手冊

如需詳細操作指導，請掃描 QR 碼取得使用手冊。



法律資訊


©2022 杭州微影軟件有限公司保留所有權利。

關於本手冊

本手冊提供有關使用和管理產品的指示。以下的圖片、圖表、圖像和所有其他資訊僅供描述和說明用途。本手冊所含資訊可能會因韌體升級或其他原因而變動，恕不另行通知。請至 HIKMICRO 網站 (www.hikmicrotech.com/) 尋找本手冊最新版本。

請在受過產品支援訓練的專業人員的指引與協助下使用本手冊。

商標告知

 HIKMICRO 及其他 HIKMICRO 的商標和標誌是 HIKMICRO 在不同司法管轄區的財產。

所提及的其他商標和標誌為各自擁有者的財產。

法律免責聲明

在適用法律允許的最大範圍內，本手冊及所描述產品，其硬體、軟體和韌體均以「現狀」提供，瑕疵錯誤概不負責。HIKMICRO 不作任何明示或暗示的保證，包括但不限於適售性、品質滿意度或適合某特定用途。您必須承擔使用本產品的風險。對於任何特殊、衍生、偶發或間接的損害，包括但不限於營業利潤損失、營業中斷，或者資料遺失、系統毀損或文件遺失，只要是基於違反合約、侵權 (包括過失)、產品責任或產品使用 (即使 HIKMICRO 已知悉可能有此類損害或損失)，HIKMICRO 概不負責。


您了解網際網路的性質具有固有的安全風險，對於因網路攻擊、駭客攻擊、病毒感染或其他網路安全風險而造成的異常運作、隱私洩漏或其他損害，HIKMICRO 概不承擔任何責任；但 HIKMICRO 將提供及時的技術支援。

您同意依照所有適用法律使用本產品，而且您有責任確保您的使用符合適用法律。特別是，您有責任在使用本產品時不侵犯第三方權利，包括但不限於出版權、知識財產權或資訊保護以及其他隱私權。您不得將本產品用於任何禁止的最終用途，包括開發或生產大規模毀滅性武器、開發或生產化學武器或生物武器，以及任何有關核爆炸或不安全核燃料循環的任何活動，或支持侵犯人權。

如果本手冊與適用法律產生任何衝突，以後者為準。

法規資訊

歐盟聲明

 本產品及 (如果適用) 其附件都已標示「CE」，因此符合適用指令 2014/30/EU (EMCD)、指令 2014/35/EU (LVD)、指令 2011/65/EU (RoHS) 所列之統一歐洲標準。

5 GHz 頻段限制：

根據指令 2014/53/EU 第 10(10) 條，當在 5150 至 5350 MHz 頻率範圍內操作時，本裝置僅限於在室內使用：奧地利 (AT)、比利時 (BE)、保加利亞 (BG)、克羅埃西亞 (HR)、賽普勒斯 (CY)、捷克共和國 (CZ)、丹麥 (DK)、愛沙尼亞 (EE)、芬蘭 (FI)、法國 (FR)、德國 (DE)、希臘 (EL)、匈牙利 (HU)、冰島 (IS)、愛爾蘭 (IE)、義大利 (IT)、拉脫維亞 (LV)、列支敦斯登 (LI)、立陶宛 (LT)、盧森堡 (LU)、馬爾他 (MT)、荷蘭 (NL)、北愛爾蘭 (UK(NI))、挪威 (NO)、波蘭 (PL)、葡萄牙 (PT)、羅馬尼亞 (RO)、斯洛伐克 (SK)、斯洛維尼亞 (SI)、西班牙 (ES)、瑞典 (SE)、瑞士 (CH)、以及土耳其 (TR)。

本無線電裝置適用的頻帶和傳輸功率 (輻射及/或傳導) 額定限值如下：

Wi-Fi: 2.4 GHz (2.4 GHz 至 2.4835 GHz) : 20 dBm; 5 GHz (5.15 GHz 至 5.25 GHz) : 23 dBm; 5 GHz (5.25 GHz 至 5.35 GHz) : 23 dBm; 5 GHz (5.47 GHz 至 5.725GHz) : 23 dBm; 5 GHz (5.725 GHz 至 5.85 GHz) : 14 dBm

藍牙: 2.4 GHz (2.4 GHz 至 2.4835 GHz) : 20 dBm

請使用合格製造商提供的電源變壓器。有關詳細的功率要求，請參閱產品規格。

使用合格製造商提供的電池。有關詳細的電池要求，請參閱產品規格。



指令 2012/19/EU (WEEE 指令)：已標示此符號的產品在歐盟不得當成未分類的都市廢棄物處理。為了正確回收，請在購買同等的新設備時將本產品退回當地供應商，或將其棄置在指定的回收點。詳細資訊請參閱 www.recyclethis.info



指令 2006/66/EC 及其修訂 2013/56/EU (電池指令)：本產品內含一顆電池，在歐盟區不能當成未分類的都市廢棄物處理。有關特定的電池資訊，請參閱產品說明文件。已標示此符號的電池可能含有代表鎘 (Cd)、鉛 (Pb) 或汞 (Hg) 的字母。為正確回收，請將電池送回供應商或指定的回收點。有關詳細資訊請參閱：www.recyclethis.info。

安全指示

這些指示的目的在確保使用者正確使用本產品，避免造成危險或財產損失。

法律和法規

- 使用本產品必須嚴格遵守當地電氣安全法規。

運輸

- 在運送裝置時，請將裝置放入原本的或類似的包裝中。
- 在拆封後保留所有包裝以供將來使用。如果發生任何故障，則需要利用原本的包裝將裝置送回工廠。未使用原本的包裝運輸可能會導致裝置損壞，本公司概不承擔任何責任。
- 請勿使本產品掉落或遭受撞擊。請勿讓裝置受到磁性干擾。

電源供應

- 根據 IEC62368 標準，輸入電壓應符合有限電源 (3.85 VDC, 570 mA) 的規定。如需詳細資訊，請參閱技術規格。
- 確認已將插頭正確連接至電源插座。
- 請勿將多個裝置連接至相同電源變壓器以避免過熱，或因過載造成火災危險。
- 請使用合格製造商提供的電源變壓器。有關詳細的功率要求，請參閱產品規格。

電池

- 首次使用前，請先替裝置充電 3 小時以上。
- 不當使用或更換電池可能會導致爆炸危險。僅以相同或同等類型取代。依照電池製造商提供的說明處理用過的電池。
- 內建電池無法拆卸。如有需要，請聯絡製造商進行維修。

- 請勿使用隨附的充電器為其他類型的電池充電。確認充電時充電器距離 2 公尺內沒有易燃物料。
- 為了長期儲存電池，請確保電池每半年充滿電，以確保電池品質。否則，可能會造成損壞。
- 使用合格製造商提供的電池。有關詳細的電池要求，請參閱產品規格。
- 請勿將電池放在加熱或火源附近。避免陽光直射。
- 不要吞下電池以避免化學灼傷。
- 請勿將電池放在兒童接觸得到的地方。
- 當裝置電源關閉且 RTC 電池充滿時，時間設定可保持 6 個月。
- 若是第一次使用，請先將裝置電源關閉並充電 2.5 個小時以上。
- 電池電壓為 3.85 V，且電池容量為 2100 mAh。
- 電池通過 UL2054 認證。

維護

- 如果產品無法正常運作，請聯絡您的經銷商或最近的服務中心。對於因未經授權的維修或保養而造成的問題，本公司概不承擔任何責任。
- 部分裝置組件 (例如電解電容) 需要定期更換。平均壽命不同，因此建議定期檢查。如需詳細資訊，請聯絡您的零售商。
- 如有需要，請使用乾淨的布和少量酒精輕輕擦拭裝置。
- 如果以製造商未指定的方式使用設備，則可能會影響裝置所提供的保護。

校準服務

- 我們建議您每年將裝置送回校準一次，請聯絡當地經銷商取得維護點的資訊。關於更詳細的校準服務，請參閱 <https://www.hikmicrotech.com/en/calibrationservices/2>。

使用環境

- 請勿將裝置暴露在極熱、寒冷、塵土飛揚、腐蝕性、鹽-鹼或潮濕的環境中。請確定操作環境符合裝置的需求。工作溫度應為 -10°C 至 50°C (14°F 至 122°F)，工作濕度應為 95% 以下。
- 此裝置只能在海拔 2000 公尺以下的地區安全使用。
- 將裝置放在乾燥且通風良好的環境中。
- 請勿使裝置暴露於高電磁輻射或塵土飛揚的環境中。
- 請勿將鏡頭瞄準陽光或任何其他明亮的光線。
- 使用任何雷射設備時，請確保裝置鏡頭未暴露在雷射光束中，否則可能會燒毀。

- 裝置適合在室內和戶外使用，但請勿將其暴露在潮濕環境中。
- 保護等級為 IP 54。
- 污染等級為 2。

技術支援

- <https://www.hikmicrotech.com> 入口網站將幫助身為 HIKMICRO 客戶的您，使您的 HIKMICRO 產品發揮最大效用。入口網站使您可以接觸我們的支援團隊、軟體和文件、服務聯絡人等。

緊急

- 如果裝置產生煙霧、異味或噪音，請立即關閉電源，拔除電源線，並聯絡維修中心。

製造地址

310052 中國浙江省杭州市濱江區西興街區丹風路 399 號 2 號樓
B 單元 313 室
杭州微影軟件有限公司

合規性注意事項：熱像系列產品可能在不同國家或地區受到出口管制，包括但不限於美國、歐盟、英國和/或瓦森納協議的其他成員國。如果您打算在不同國家之間轉讓、出口、再出口熱像系列產品，請洽詢您的專業法律或合規性專家或地方政府機關，以瞭解任何必要的出口許可要求。



HIKMICRO

See the World in a New Way

Facebook: HIKMICRO Thermography LinkedIn: HIKMICRO
Instagram: hikmicro_thermography YouTube: HIKMICRO Thermography
E-mail: info@hikmicrotech.com Website: <https://www.hikmicrotech.com/>

UD27750B-C