



# Thermal Camera for Smartphones EXPLORER Series

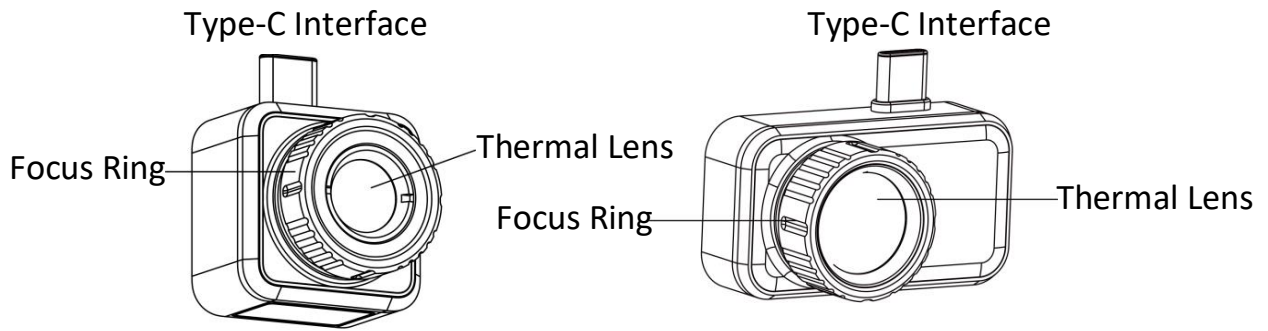
Quick Start Guide



Contact Us

Thermal Camera for Smartphones	<b>English</b>	1
Wärmebildkamera für Smartphones	<b>Deutsch</b>	2
Caméra thermique pour smartphones	<b>Français</b>	4
Cámara térmica para teléfonos inteligentes	<b>Español</b>	5
Câmara térmica para smartphones	<b>Português</b>	7
Termocamera per Smartphone	<b>Italiano</b>	8
Termokamera pro chytré telefony	<b>Čeština</b>	10
Termografická kamera pre smartfóny	<b>Slovenčina</b>	11
Kamera termowizyjna do smartfonu	<b>Polski</b>	13
Hőkamera okostelefonhoz	<b>Magyar</b>	14
Cameră cu termoviziune pentru smartphone-uri	<b>Română</b>	16
Термовизионна камера за смартфони	<b>Български</b>	17
Thermische camera voor smartphones	<b>Nederlands</b>	19
Termisk kamera til smartphones	<b>Dansk</b>	20
Termisk kamera for smarttelefoner	<b>Norsk</b>	22
Lämpökamera älypuhelimille	<b>Suomi</b>	23
Värmekamera för smartphones	<b>Svenska</b>	25
Тепловизионная камера для смартфонов	<b>Русский</b>	26
Тепловізійна камера для смартфонів	<b>Українська</b>	28
Akıllı Telefonlar için Termal Kamera	<b>Türkçe</b>	29
スマートフォン用サーマルカメラ	<b>日本語</b>	31
스마트폰용 열화상 카메라	<b>한국어</b>	32
用於智慧型手機的紅外線熱像儀	<b>繁體中文</b>	34

## 1. Appearance



## 2. Install HIKMICRO Sight



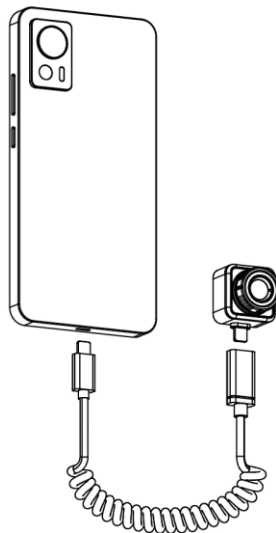
Android

## 3. Connect Device

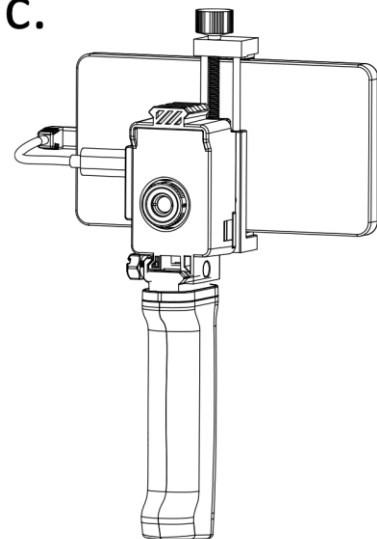
a.



b.



c.

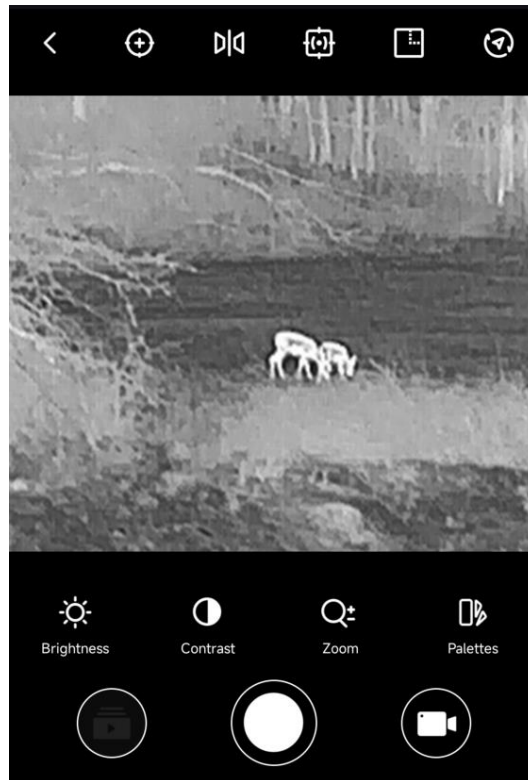


### Note:

- The bracket is not included in the package. Please purchase it separately if necessary.
- Turn on the OTG function on your phone first.

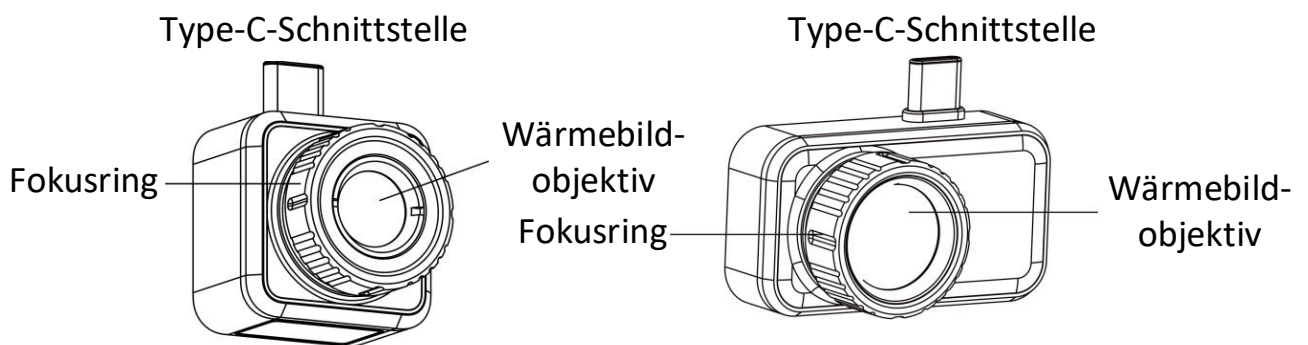
## 4. App Operations

Connect the device to the app, and go to **Me** -> **About** -> **User Manual** to see the user manual of the app for more operations.



**Deutsch**

## 1. Aufbau

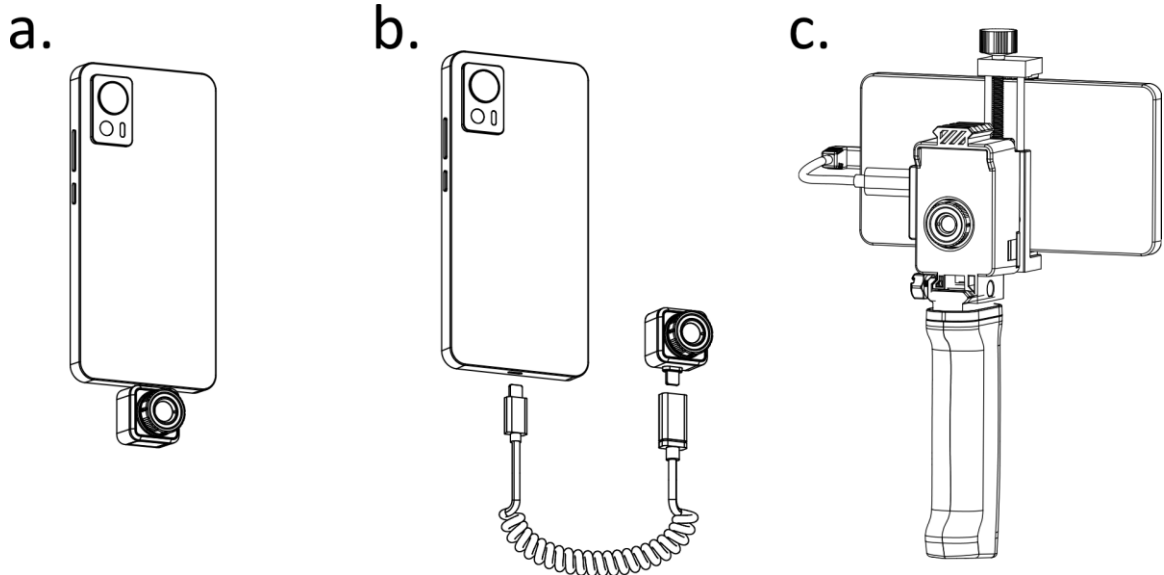


## 2. Installation von HIKMICRO Sight



Android

### 3. Gerät anschließen

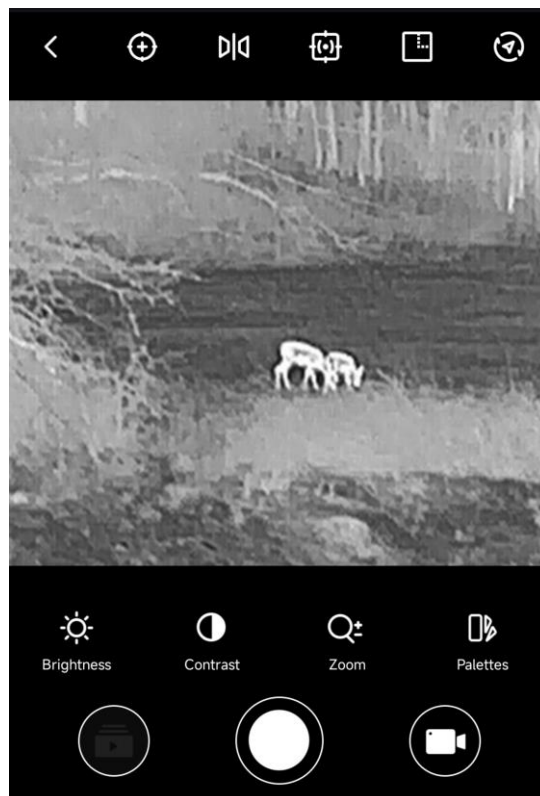


#### Hinweis:

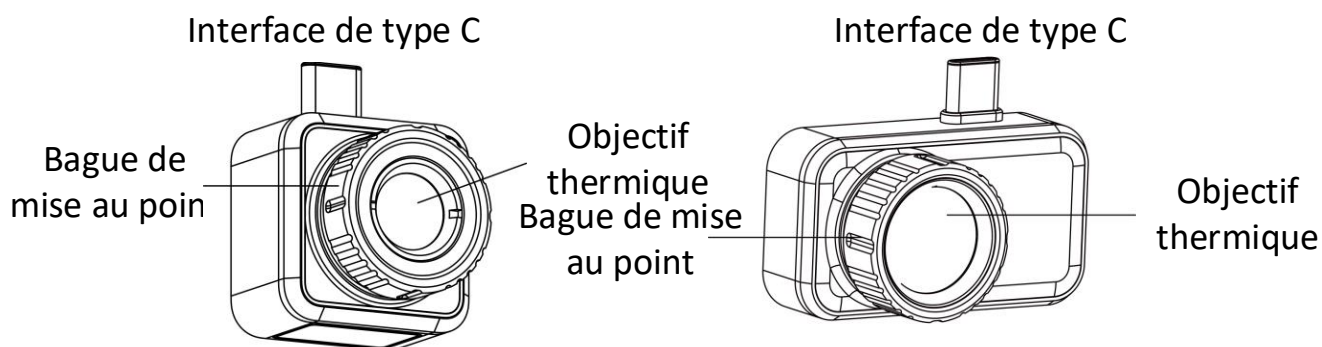
- Die Halterung gehört nicht zum Lieferumfang. Falls erforderlich, kaufen Sie es bitte separat.
- Schalten Sie zunächst die OTG-Funktion an Ihrem Telefon ein.

### 4. App Operationen

Verbinden Sie das Gerät mit der App und gehen Sie zu **Mein Gerät -> Info -> Benutzerhandbuch**, um das Benutzerhandbuch der App für weitere Funktionen anzuzeigen.



## 1. Apparence



## 2. Installation de HIKMICRO Sight



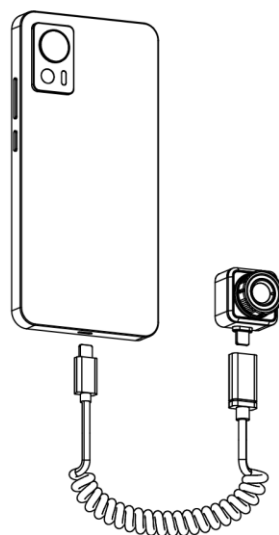
Android

## 3. Connexion de l'appareil

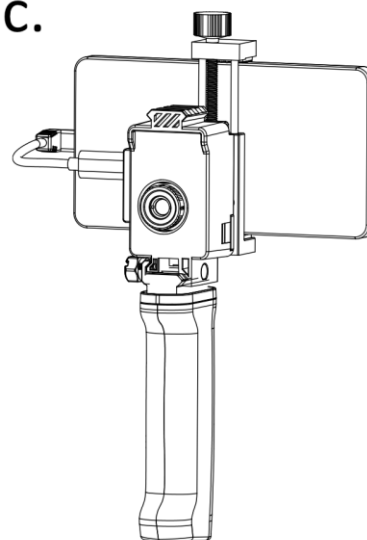
a.



b.



c.

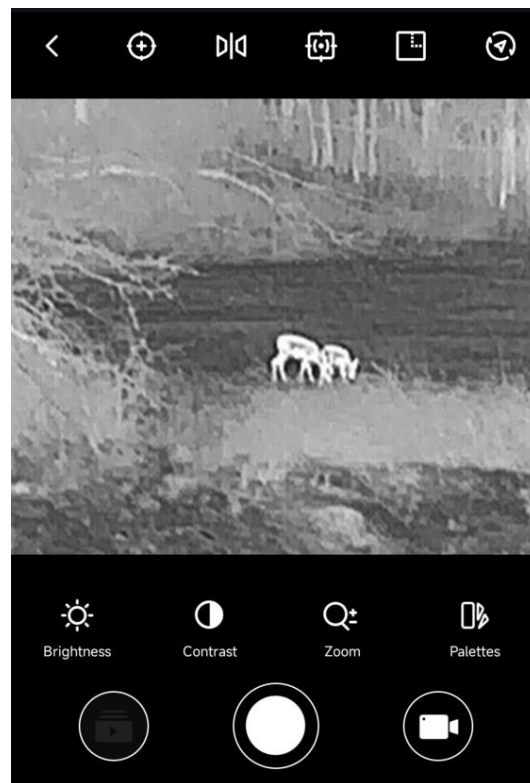


### Remarque :

- Le support n'est pas inclus dans l'emballage. Veuillez l'acheter séparément, le cas échéant.
- Activez d'abord la fonction OTG sur votre téléphone.

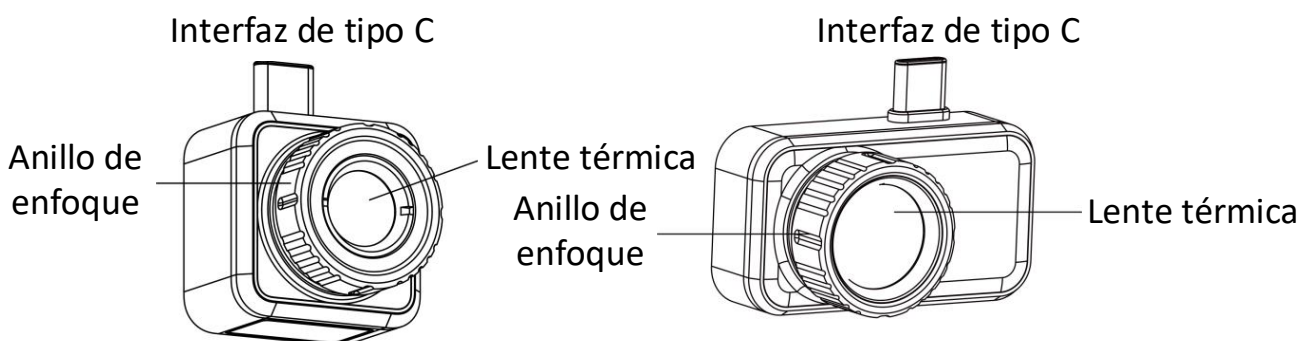
## 4. Fonctionnement de l'application

Connectez l'appareil à l'application, puis accédez à **Mon espace** -> **À propos** -> **Manuel utilisateur** pour consulter le manuel de l'utilisateur de l'application pour plus de détails.



**Español**

## 1. Apariencia

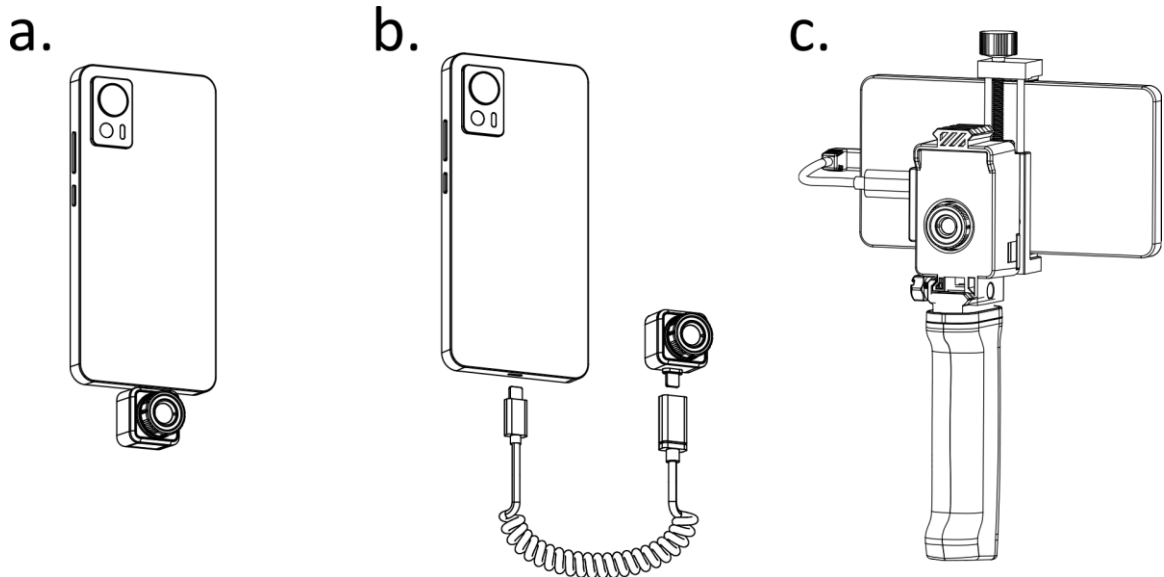


## 2. Instalación de HIKMICRO Sight



Android

### 3. Conexión del dispositivo

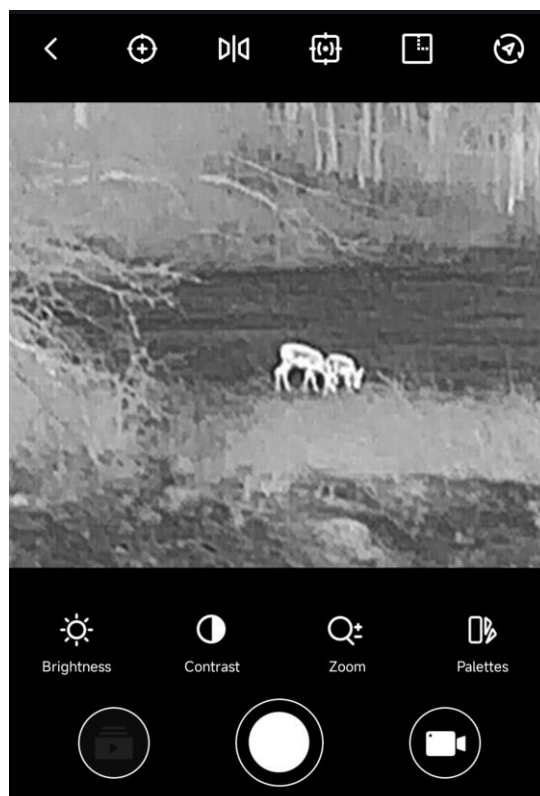


#### Nota:

- El soporte no se incluye en el paquete. Adquiéralo por separado en caso necesario.
- Primero, active la función OTG en su teléfono.

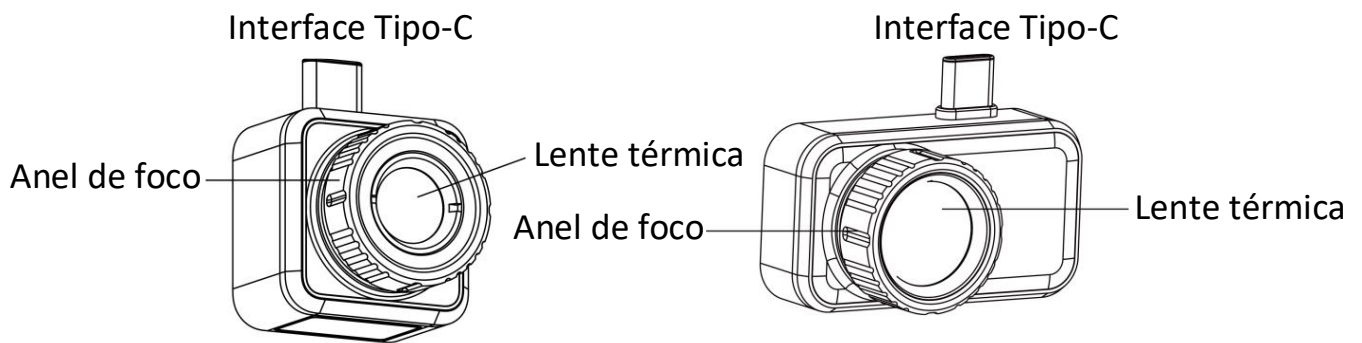
### 4. Funciones de la aplicación

Conecte el dispositivo a la aplicación y entre en **Yo -> Acerca de -> Manual del usuario** para ver el manual del usuario de la aplicación para más operaciones.





## 1. Aspeto



## 2. Instalar a aplicação HIKMICRO Sight



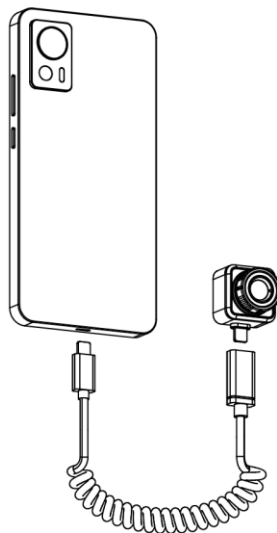
Android

## 3. Ligar o dispositivo

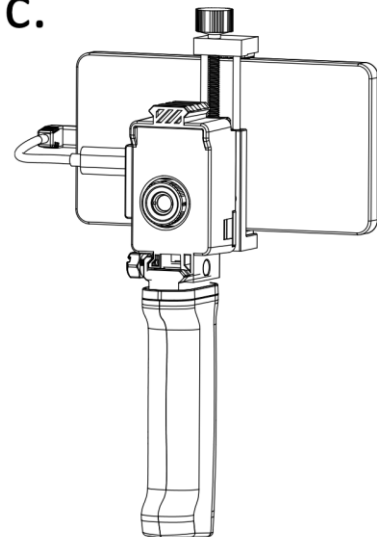
a.



b.



c.

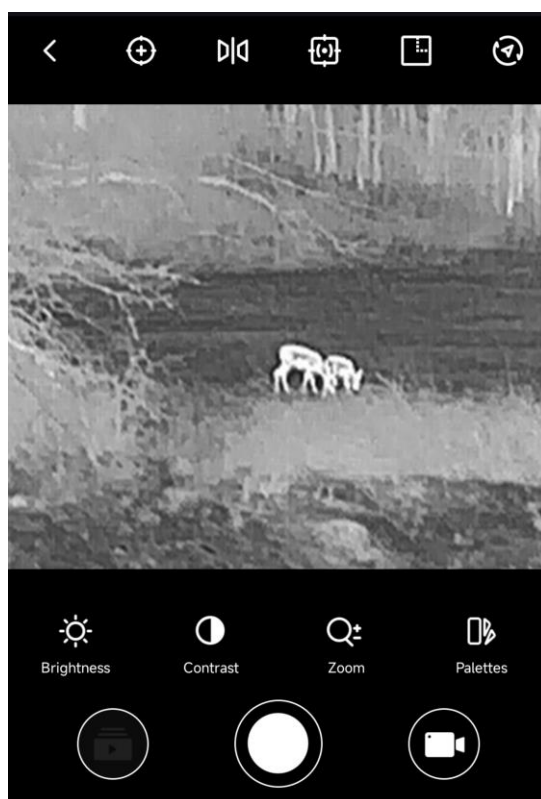


### Nota:

- O suporte não está incluído na embalagem. Se necessário, adquira o suporte em separado.
- Primeiro, ligue a função OTG no seu telefone.

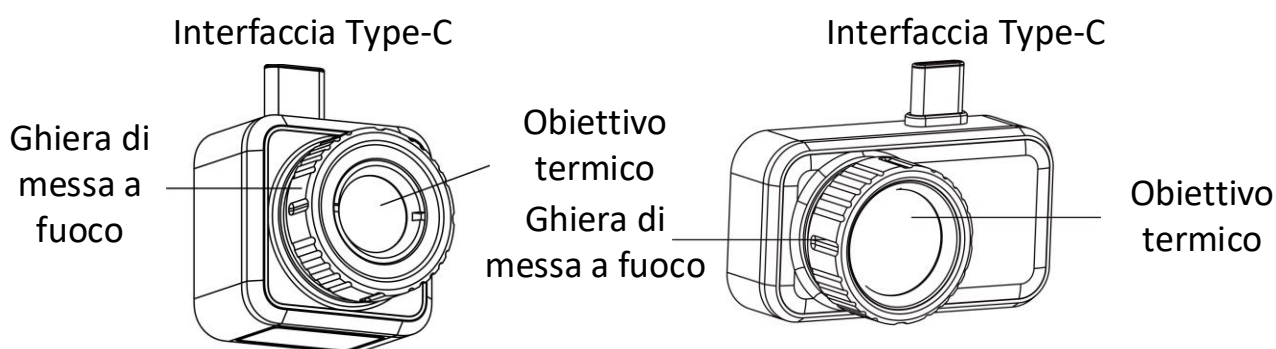
## 4. Operações da aplicação

Ligue o dispositivo à aplicação e vá a *Eu* -> *Acerca de* -> *Manual do utilizador* para ver o manual do utilizador da aplicação e conhecer mais operações.



**Italiano**

## 1. Aspetto

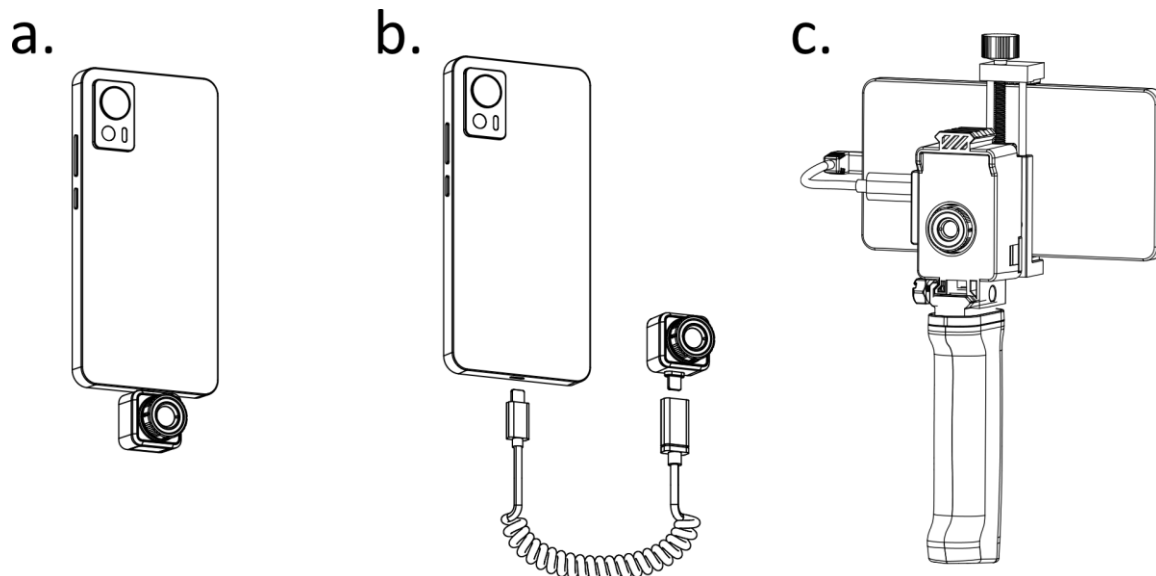


## 2. Installa HIKMICRO Sight



Android

### 3. Connettere il dispositivo

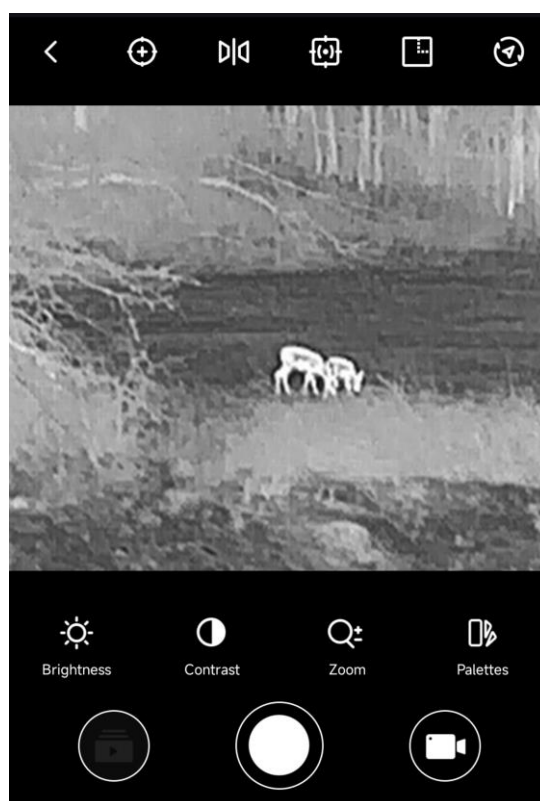


#### Nota:

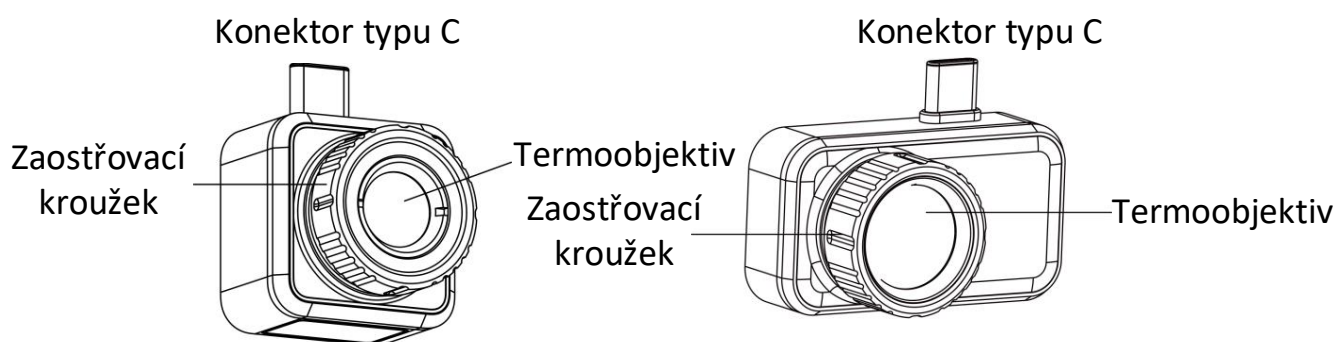
- La staffa non è inclusa nella confezione. È acquistabile separatamente se necessario.
- Per prima cosa, attivare la funzione OTG sul telefono.

### 4. Operazioni app

Per consultare il manuale d'uso dell'app e ottenere informazioni sulle altre operazioni, collegare il dispositivo alla app e accedere a **Profilo -> Informazioni -> Manuale d'uso**.



## 1. Vzhled



## 2. Instalace aplikace HIKMICRO Sight



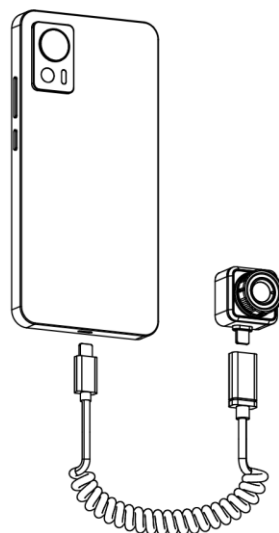
Android

## 3. Připojení zařízení

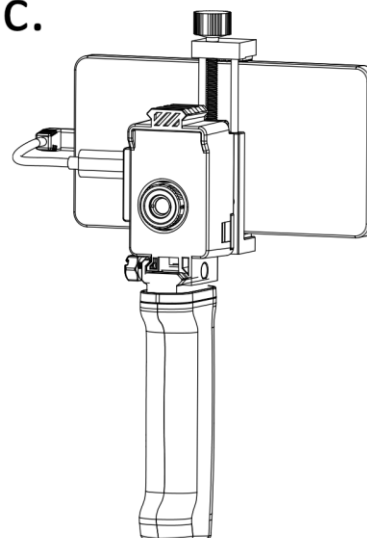
a.



b.



c.

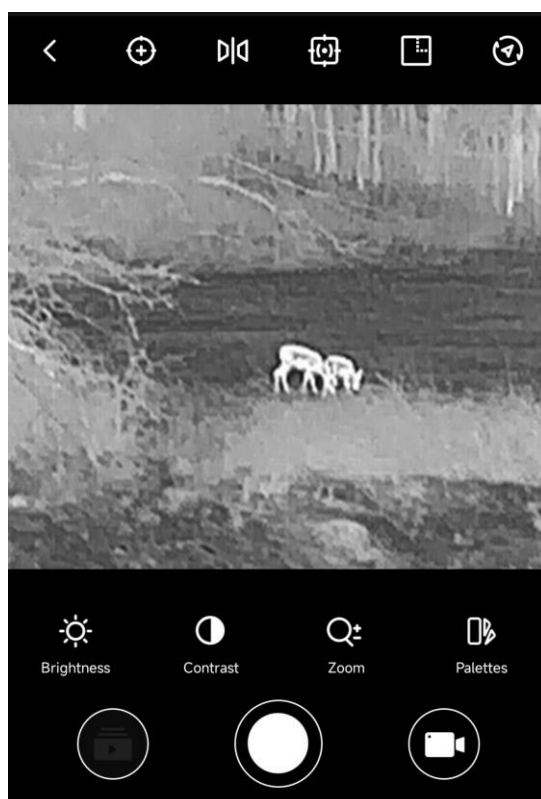


### Poznámka:

- Držák není součástí balení. V případě potřeby jej zakupte samostatně.
- Nejprve v telefonu zapněte funkci OTG.

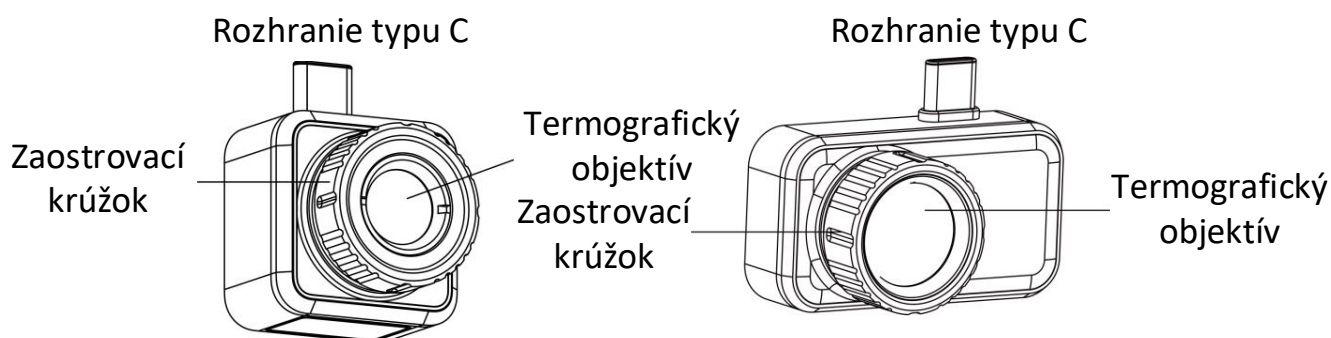
## 4. Ovládání aplikace

Připojte zařízení k aplikaci. Další informace o ovládání naleznete v návodu k obsluze aplikace v nabídce **Mé -> Informace -> Návod k obsluze**.



**Slovenčina**

### 1. Vzhľad

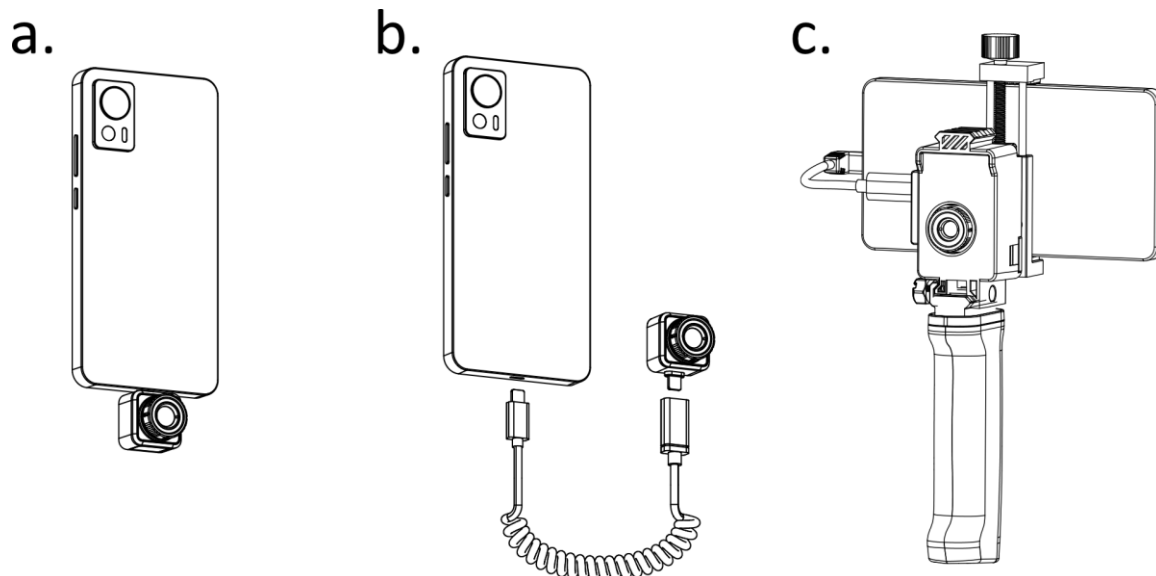


### 2. Nainštalujte si aplikáciu HIKMICRO Sight



Android

### 3. Pripojenie zariadenia

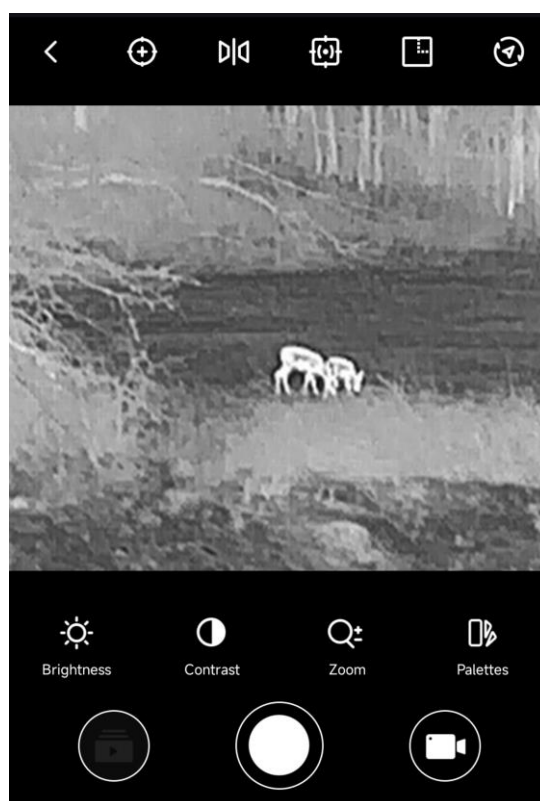


#### Poznámka:

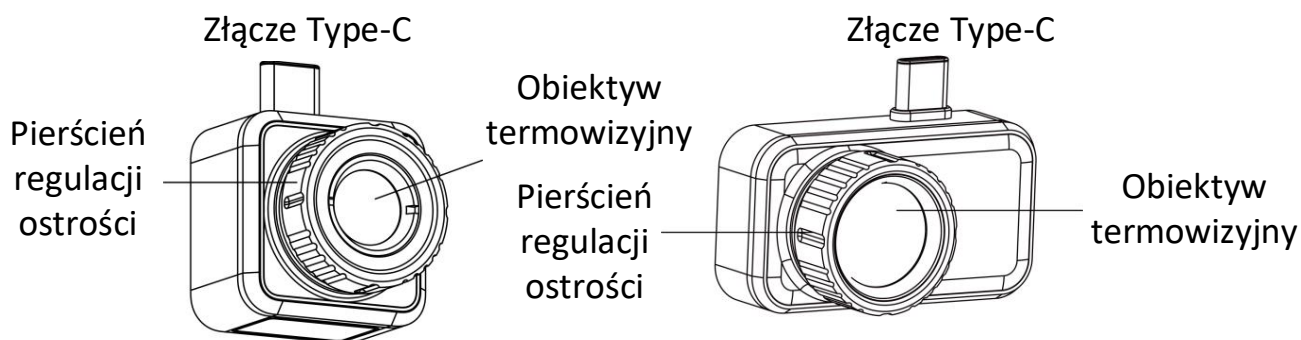
- Konzola nie je súčasťou balenia. Ak ju potrebujete, zakúpte si ju samostatne.
- Najskôr zapnite funkciu OTG vo svojom telefóne.

### 4. Používanie aplikácie

Pripojte zariadenie k aplikácii a prejdite na možnosti **Ja** -> **O** -> **Používateľská príručka**, potom sa vám zobrazí používateľská príručka aplikácie s ďalšími možnosťami ovládania.



## 1. Wygląd urządzenia



## 2. Instalowanie aplikacji HIKMICRO Sight



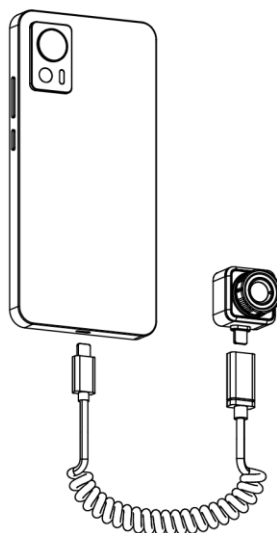
Android

## 3. Podłączanie urządzenia

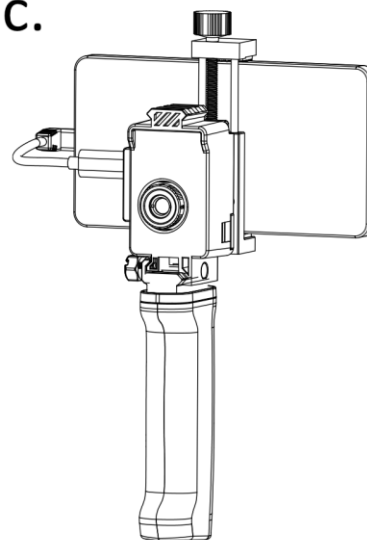
a.



b.



c.

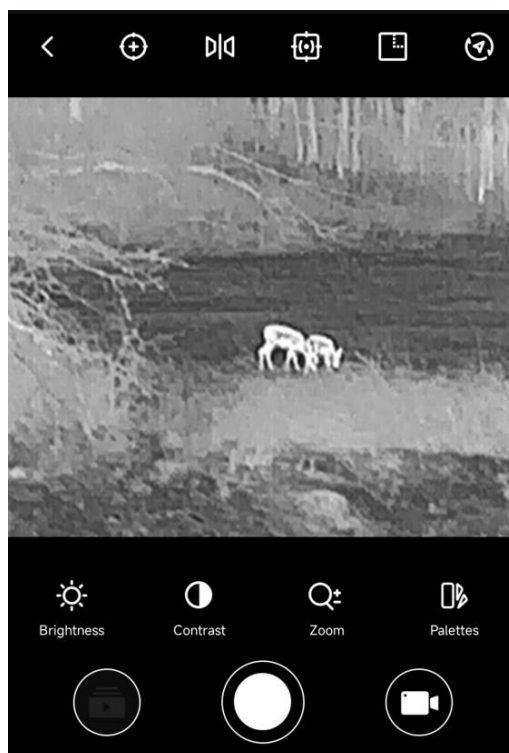


### Uwaga:

- Uchwyt nie jest uwzględniony w pakiecie z produktem. Należy zakupić ten element wyposażenia oddzielnie, jeżeli jest to konieczne.
- Najpierw włącz funkcję OTG telefonu.

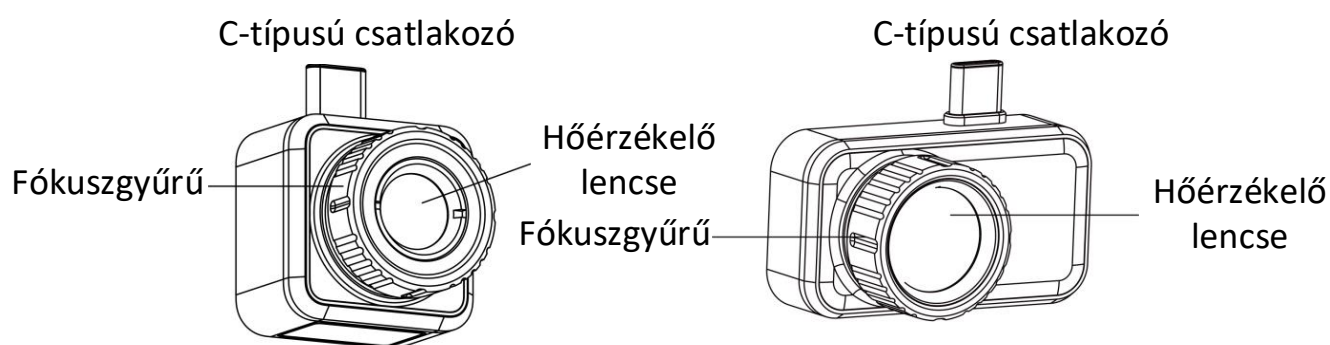
## 4. Korzystanie z aplikacji

Połącz urządzenie z aplikacją i wybierz **Użytkownik > Informacje > Podręcznik użytkownika**, aby wyświetlić inne procedury w podręczniku użytkownika aplikacji.



**Magyar**

## 1. Külső megjelenés



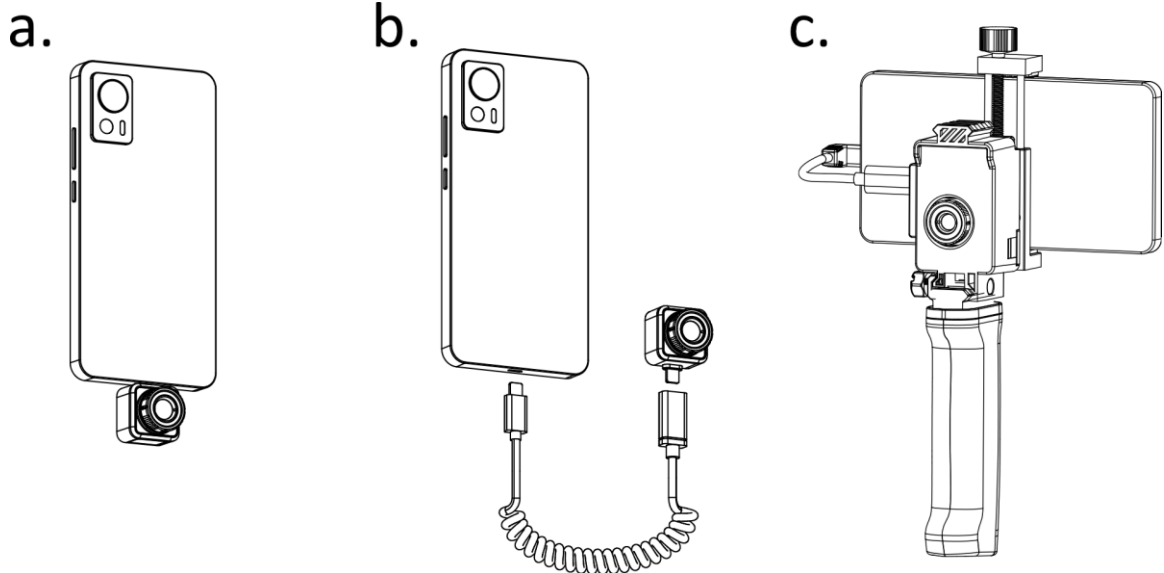
## 2. A HIKMICRO Sight telepítése



Android



### 3. Eszköz csatlakoztatása

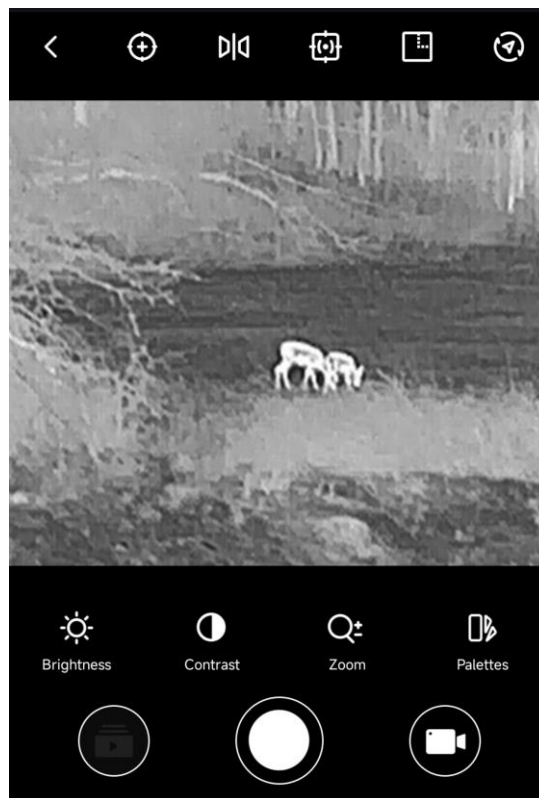


#### Megjegyzés:

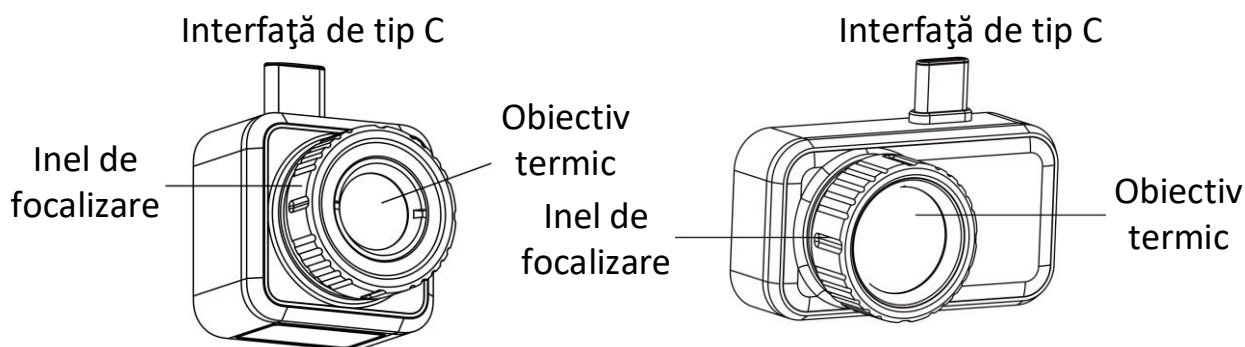
- A konzol nem része a csomagnak. Kérjük, szükség esetén vásárolja meg külön.
- Először kapcsolja be az OTG funkciót a telefonján.

### 4. Az alkalmazás működése

Csatlakoztassa az eszközt az alkalmazáshoz, majd lépjen a **Saját** -> **Névjegy** -> **Használati útmutató** menüpontra, és tekintse meg az alkalmazás használati útmutatóját a további műveletekért.



## 1. Aspect



## 2. Instalarea HIKMICRO Sight



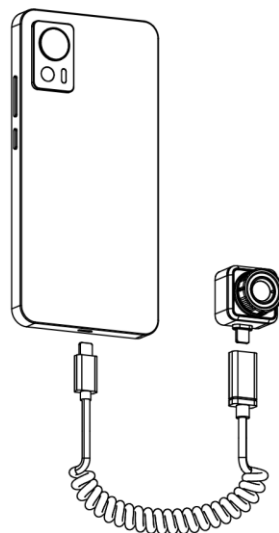
Android

## 3. Conectarea dispozitivului

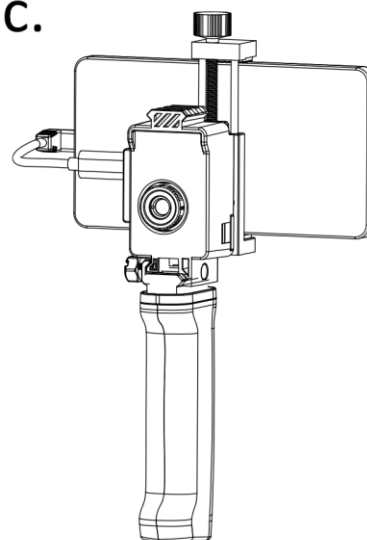
a.



b.



c.

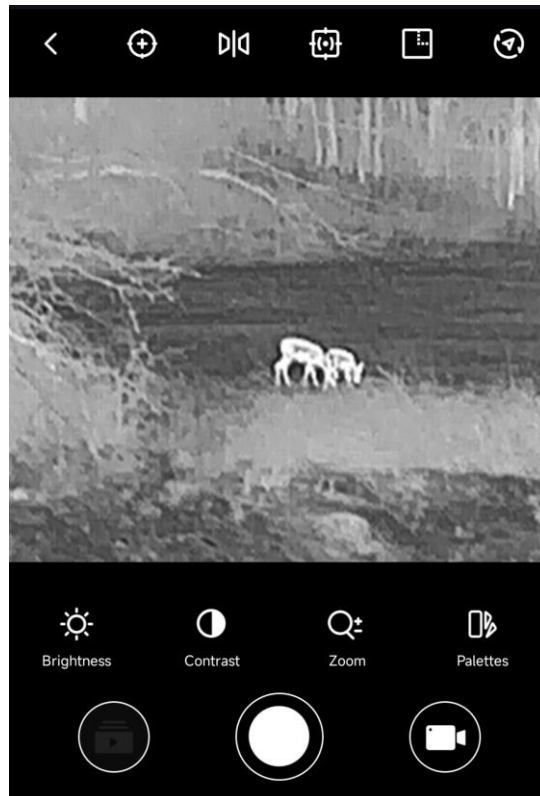


### Notă:

- Consola nu este inclusă în pachet. Cumpărați-o separat dacă este necesar.
- Mai întâi, activați funcția OTG de pe telefon.

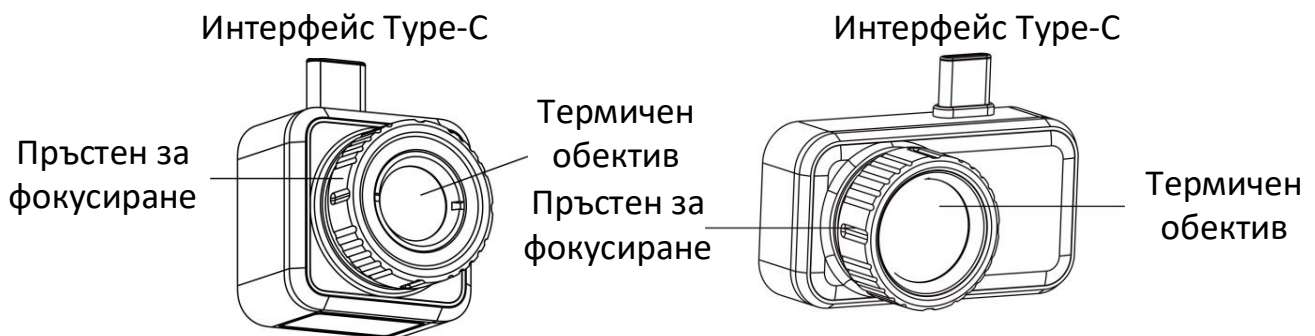
## 4. Operațiuni ale aplicației

Conectați dispozitivul la aplicație și accesați **Eu** -> **Despre** -> **Manualul utilizatorului** pentru a vedea manualul de utilizare al aplicației pentru mai multe operațiuni.



**Български**

## 1. Изглед

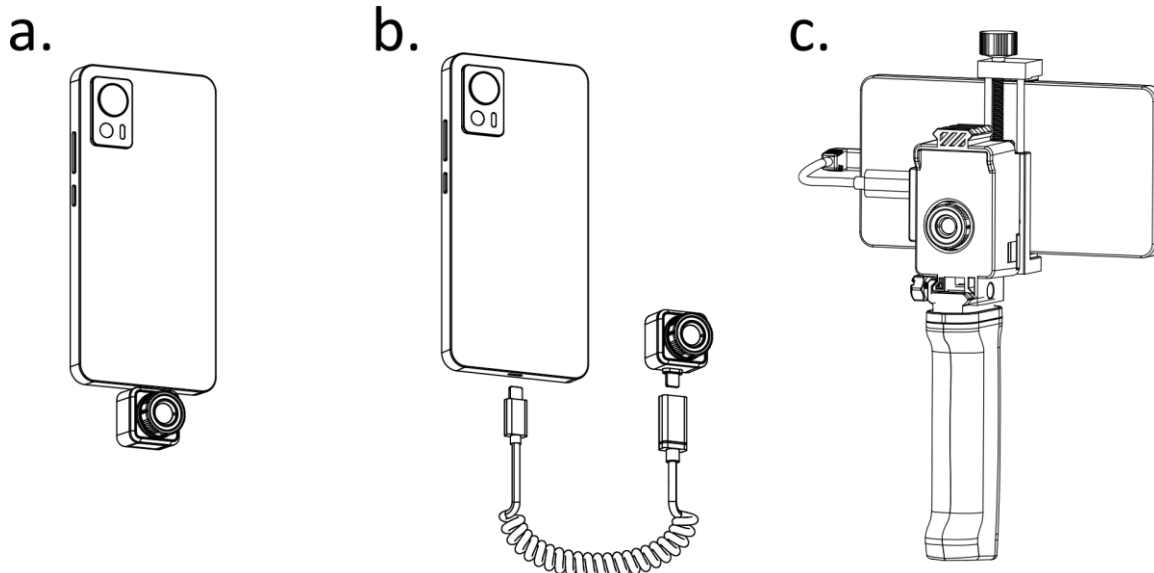


## 2. Инсталиране на HIKMICRO Sight



Android

### 3. Свързване на устройство

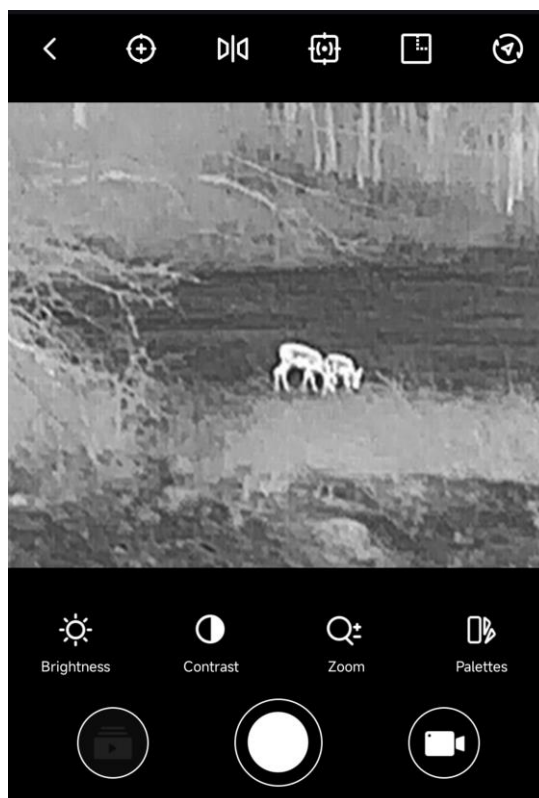


#### Забележка:

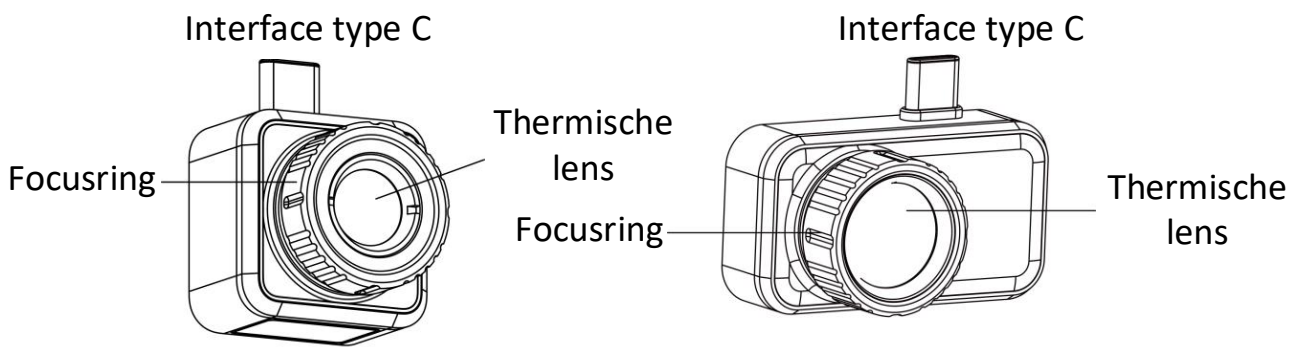
- Скобата не е включена в пакета. Ако е необходимо, трябва да се закупи допълнително.
- Най-напред включете функцията OTG на телефона.

### 4. Работа с приложението

Свържете устройството към приложението и влезте в **Аз** → **Информация** → **Ръководство за потребителя**, за да разгледате Ръководството за потребителя на приложението, в което са описани повече операции.



## 1. Verschijning



## 2. HIKMICRO Sight installeren



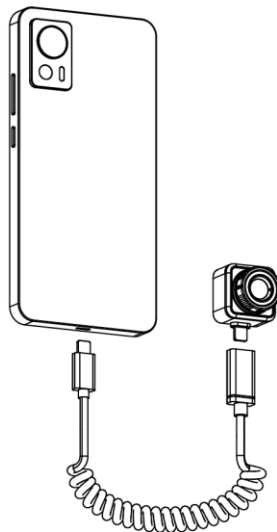
Android

## 3. Apparaat verbinden

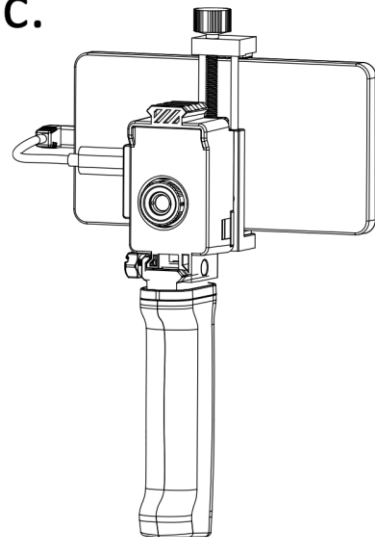
a.



b.



c.

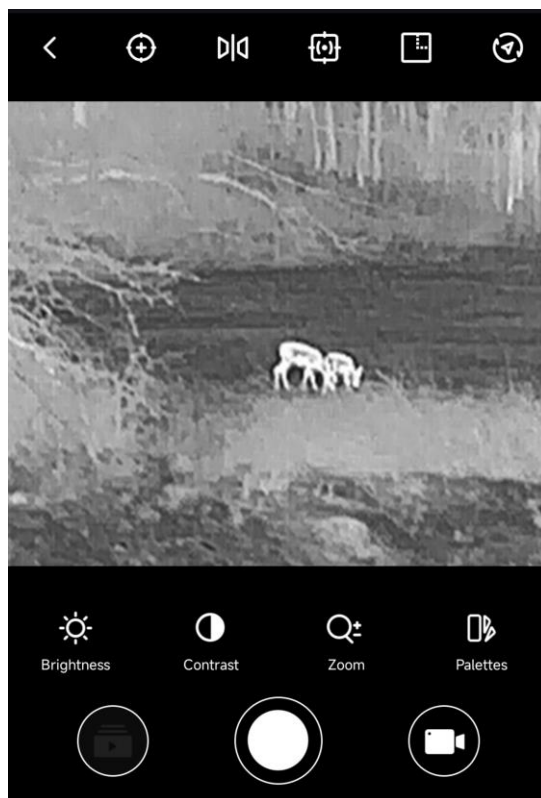


### Opmerking:

- De klem is niet bijgesloten in de verpakking. Schaf deze indien nodig afzonderlijk aan.
- Schakel eerst de OTG-functie op uw telefoon uit.

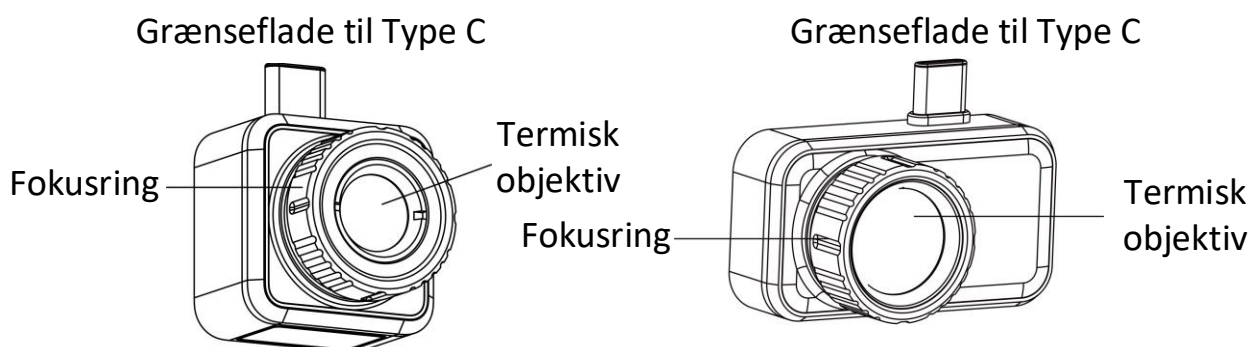
## 4. App-bewerkingen

Verbind het apparaat met de app en ga naar *Ik* -> *Info* -> *Handleiding* om de handleiding van de app te zien voor meer bewerkingen.



**Dansk**

## 1. Udseende

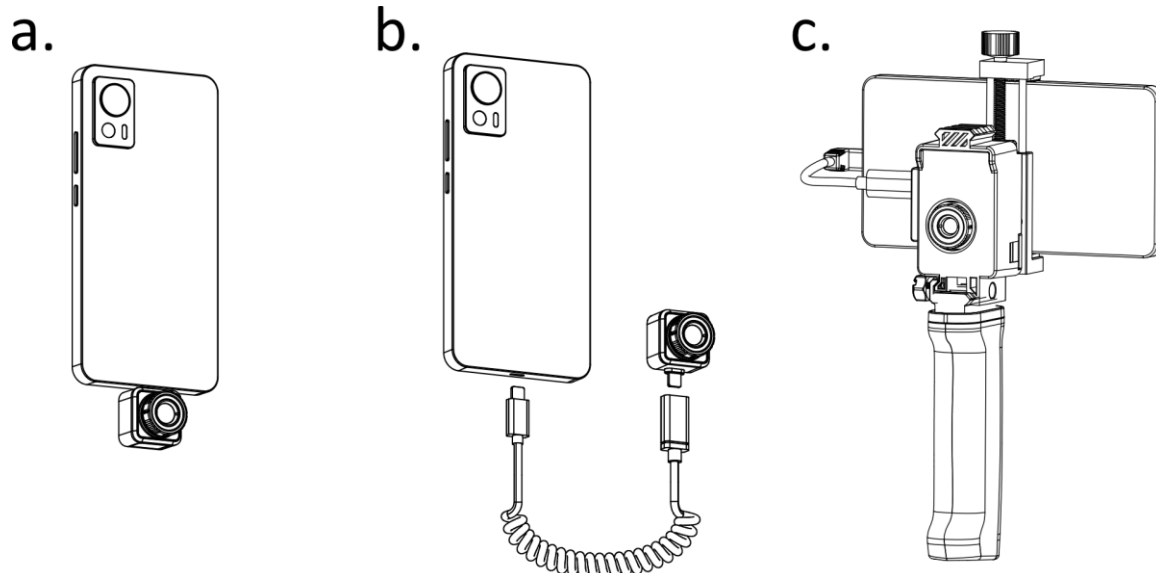


## 2. Installation af HIKMICRO Sight



Android

### 3. Tilslut enhed

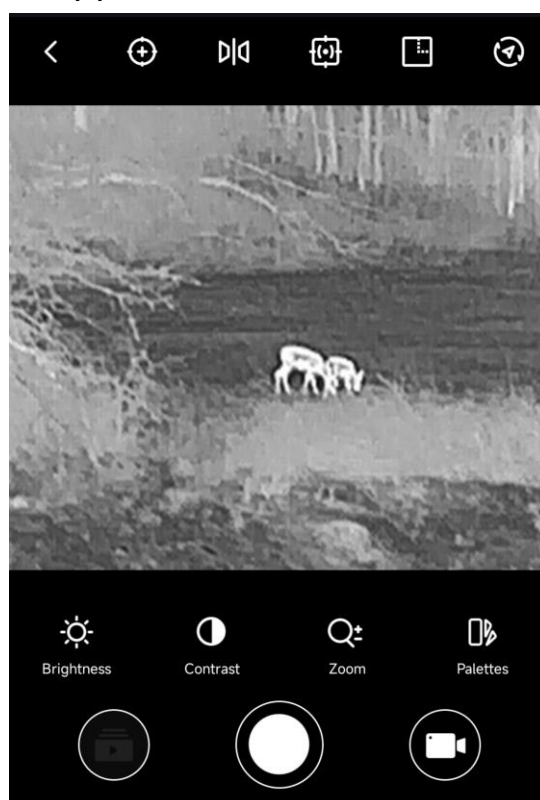


#### Bemærk:

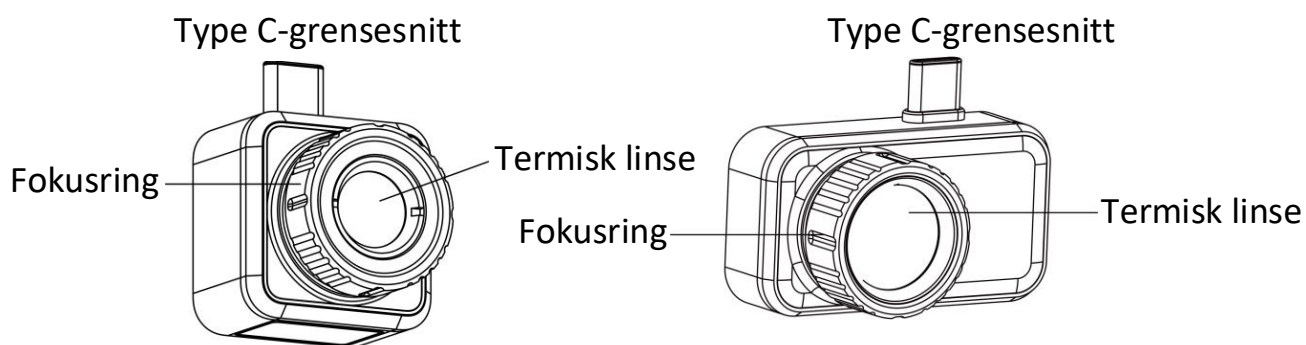
- Beslaget er ikke inkluderet i pakken. Skal købes særskilt, hvis der er behov.
- Slå først funktionen OTG til på din telefon.

### 4. Betjening af app

Slut enheden til appen, og gå til **Mig** -> **Om** -> **Brugervejledning** for at få flere oplysninger om brugen af appen.



## 1. Utseende



## 2. Installere HIKMICRO Sight



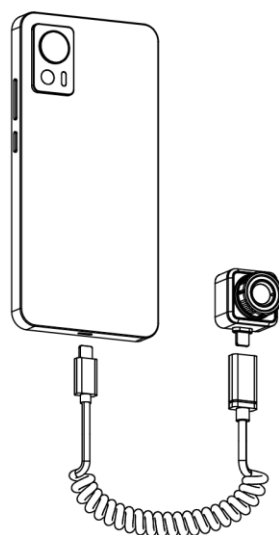
Android

## 3. Tilkoble enhet

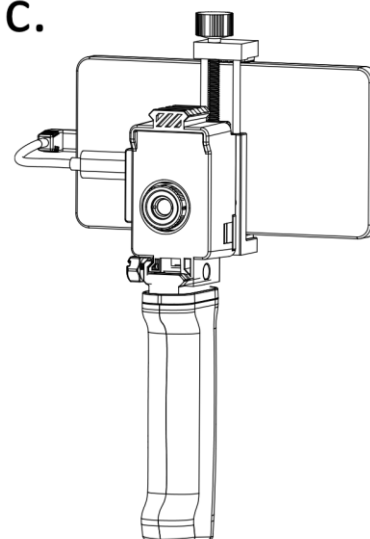
a.



b.



c.



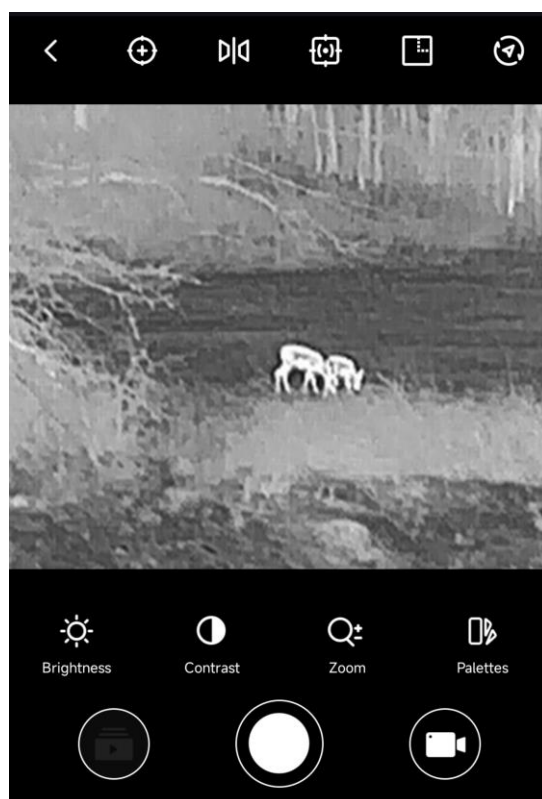
### Merk:

- Braketten følger ikke med i pakken. Kjøp den separat ved behov.
- Slå på OTG-funksjonen på telefonen din først.



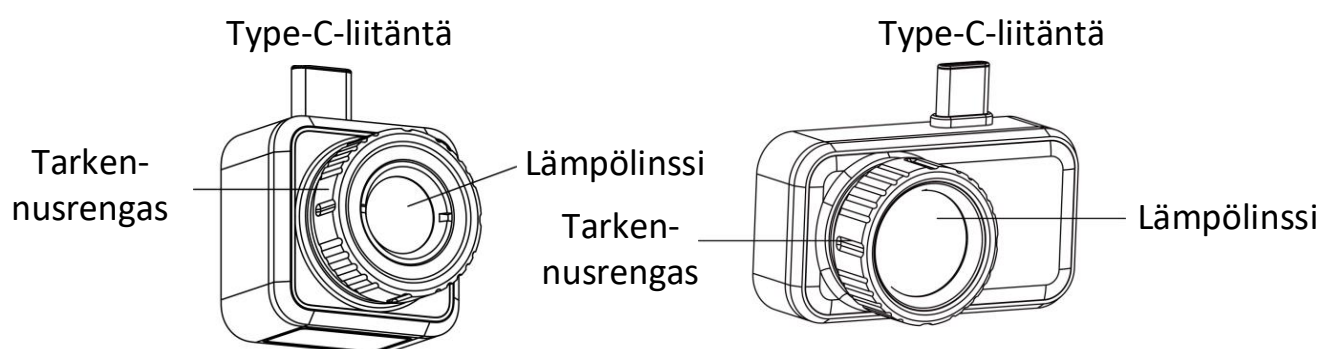
## 4. App-operasjoner

Koble enheten til appen og gå til **Meg** -> **Om** -> **Bruksanvisning** for å se bruksanvisningen til appen med flere handlinger.



**Suomi**

## 1. Ulkonäkö



## 2. Asenna HIKMICRO Sight



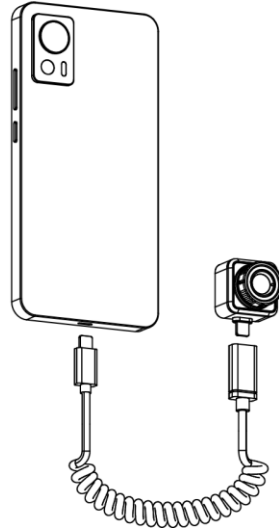
Android

### 3. Laitteen yhdistäminen

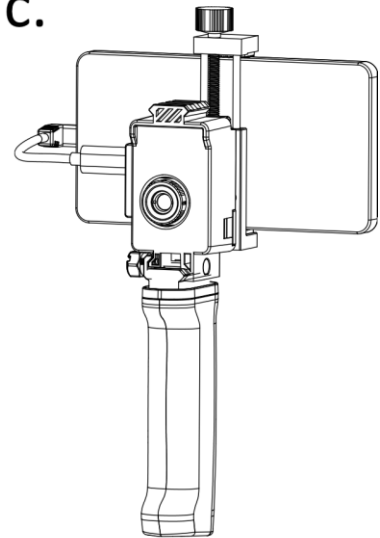
a.



b.



c.

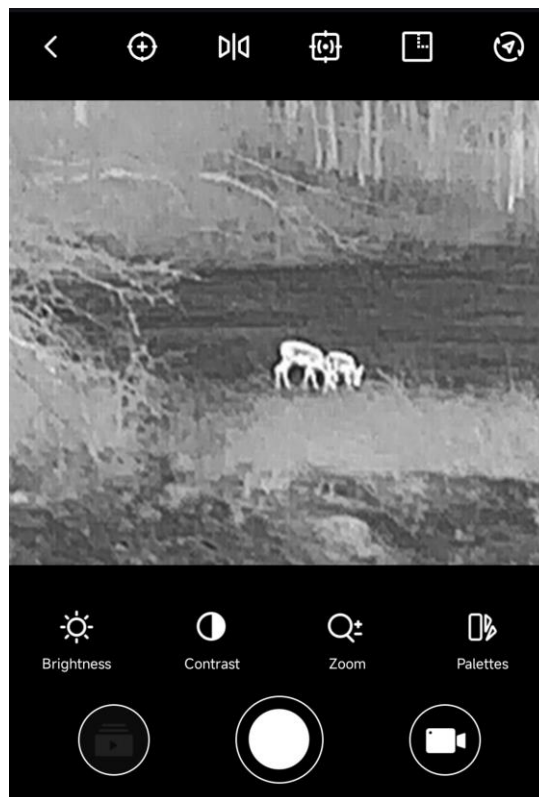


#### Huomautus:

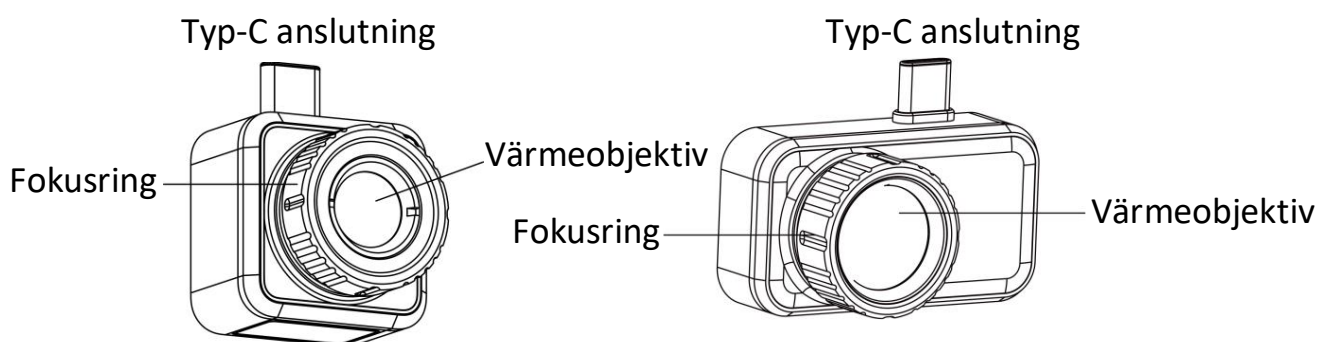
- Teline ei sisälly pakkaukseen. Osta se tarvittaessa erikseen.
- Kytke ensin puhelimen OTG-toiminto päälle.

### 4. Sovelluksen toiminnot

Yhdistä laite sovellukseen ja mene kohtaan **Oma** -> **Tietoa** -> **Käyttöopas** nähdäksesi sovelluksen käyttöoppaasta lisää toimintoja.



## 1. Utseende



## 2. Installera HIKMICRO Sight



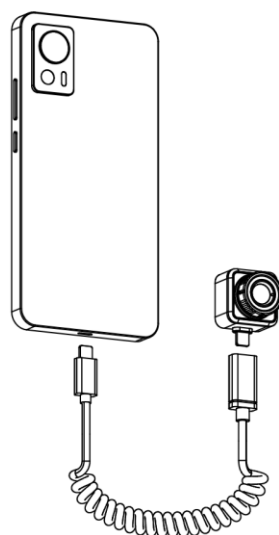
Android

## 3. Anslut enheten

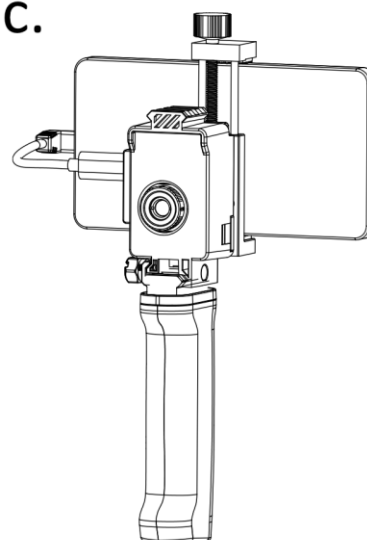
a.



b.



c.

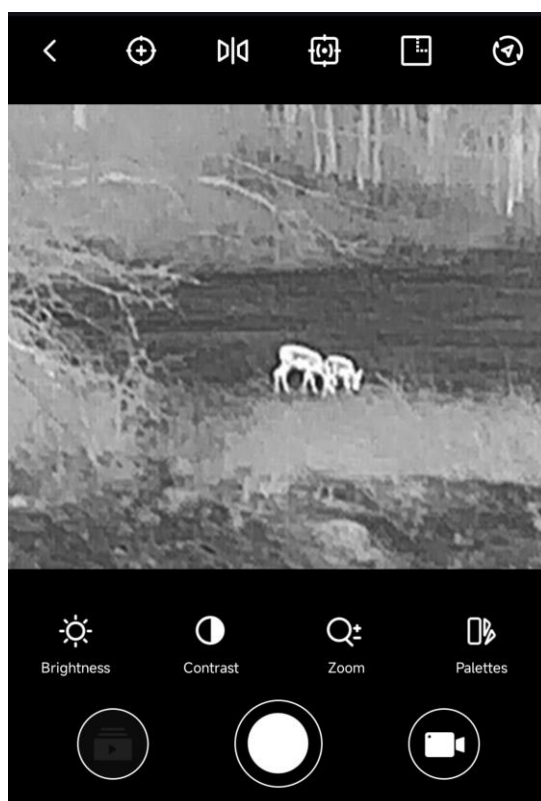


### Obs!

- Fästet ingår inte i leveransen. Köp det separat vid behov.
- Slå på telefonens OTG-funktion först.

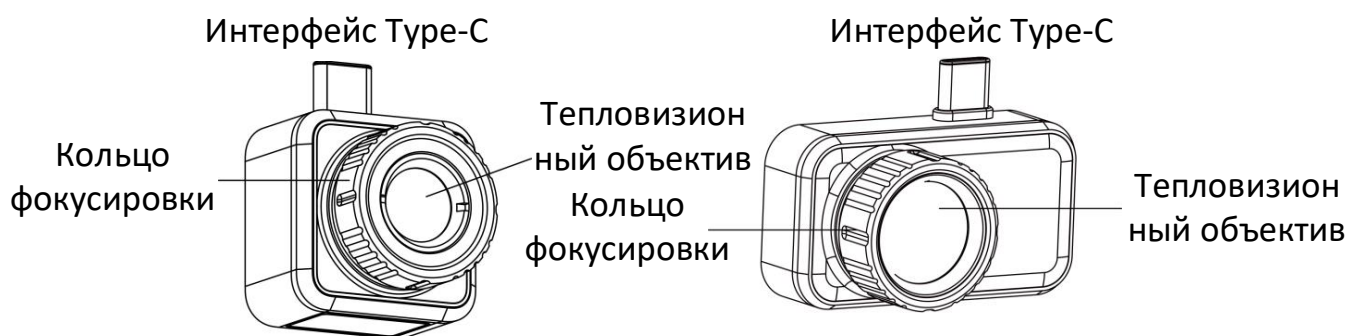
## 4. Appens funktioner

Anslut enheten till appen och gå till **Mitt** -> **Om** -> **Bruksanvisning** för att visa bruksanvisningen till appen för ytterligare funktioner.



**Русский**

## 1. Внешний вид



## 2. Установка HIKMICRO Sight



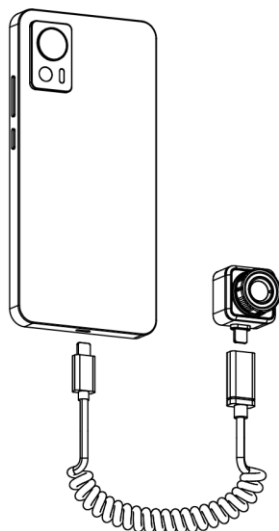
Android

### 3. Подключение устройства

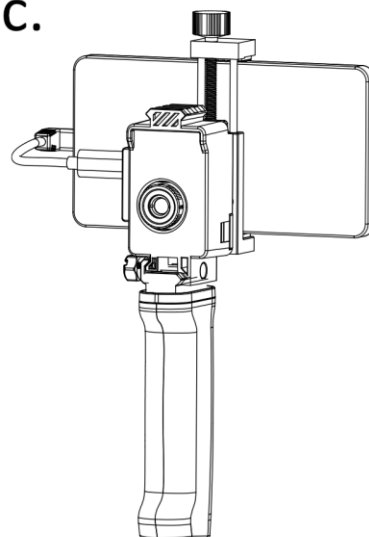
а.



б.



в.

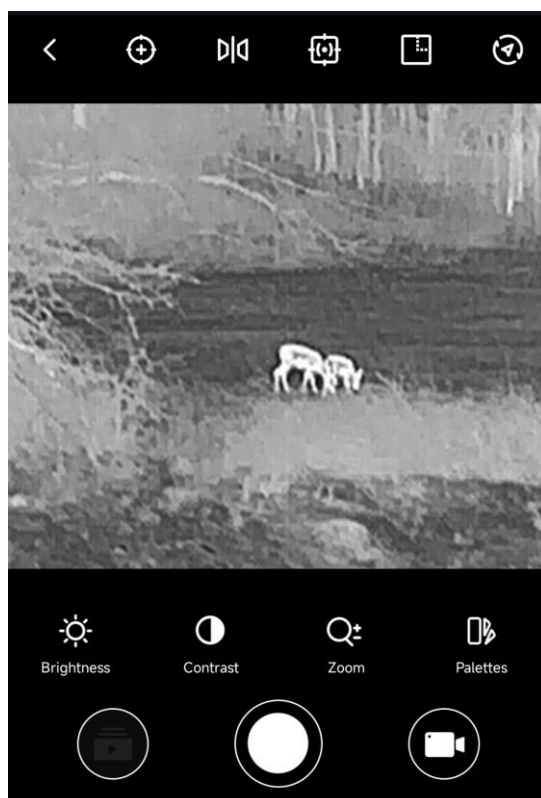


#### Примечание.

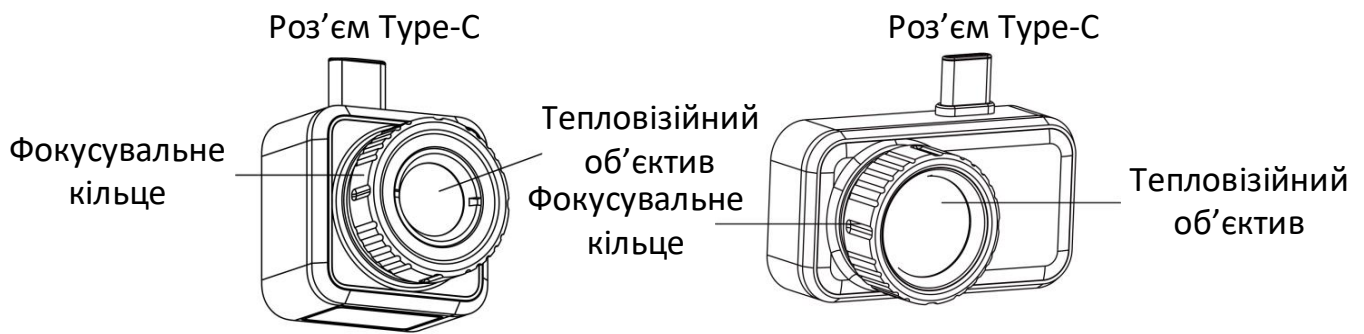
- Кронштейн не входит в комплект поставки. При необходимости приобретите его отдельно.
- Сначала включите на своем телефоне функцию OTG.

### 4. Операции в приложении

Подключите устройство к приложению и перейдите в раздел **Я -> О программе -> Руководство пользователя**, чтобы ознакомиться с руководством пользователя для выполнения дополнительных операций в приложении.



## 1. Зовнішній вигляд



## 2. Установлення NIEMICRO Sight



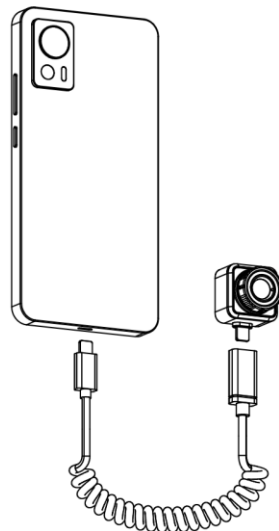
Android

## 3. Підключення пристрою

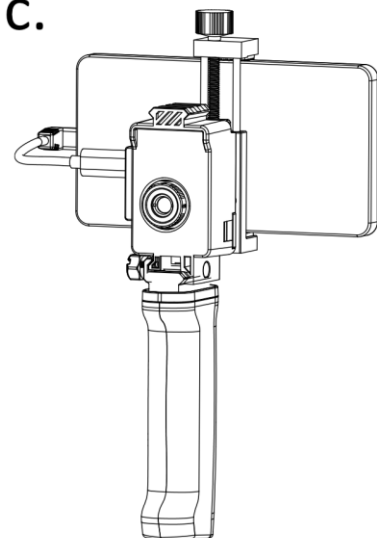
а.



б.



с.

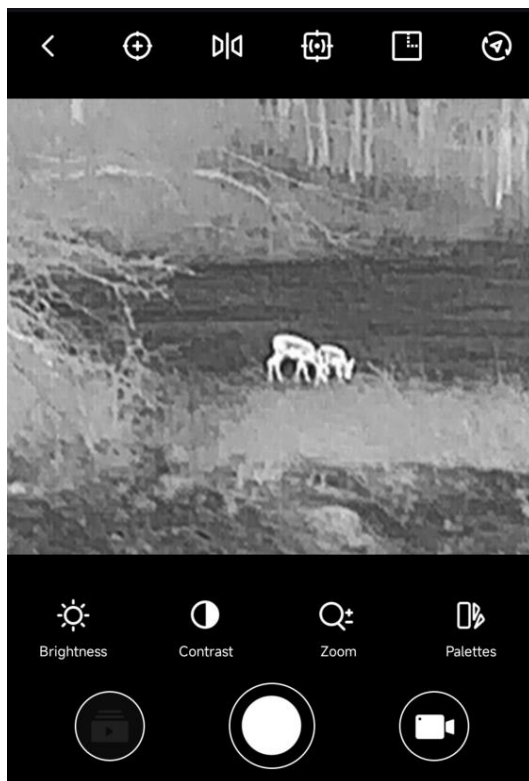


### Примітка:

- Кронштейн у комплект поставки не входить. За необхідності придбайте його окремо.
- На телефоні слід спочатку ввімкнути функцію OTG.

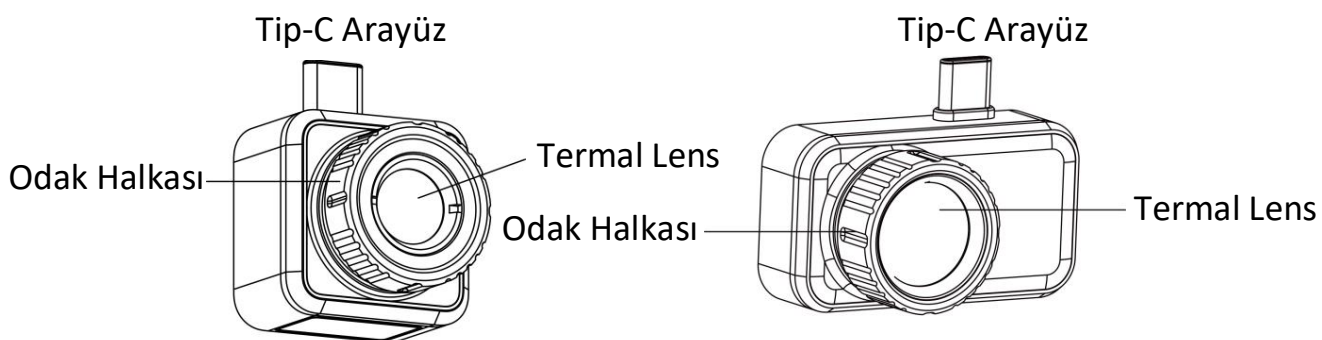
## 4. Робота з додатком

Підключіть пристрій до додатка й перейдіть у меню **Я** -> **Інформація** -> **Посібник користувача**, щоб переглянути посібник користувача й дізнатися про роботу з додатком.



**Türkçe**

## 1. Görünüm



## 2. HIKMICRO Sight'ı Takma



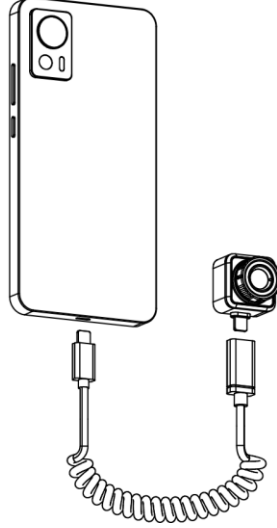
Android

### 3. Cihazı Bağlayın

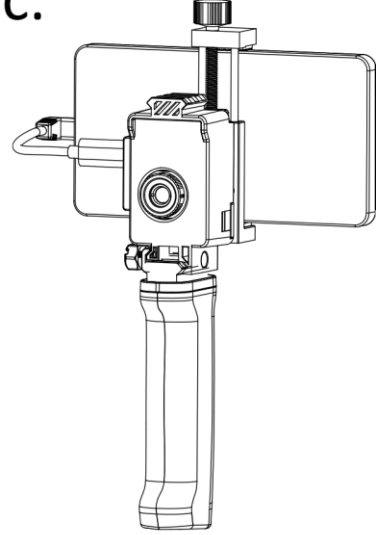
a.



b.



c.

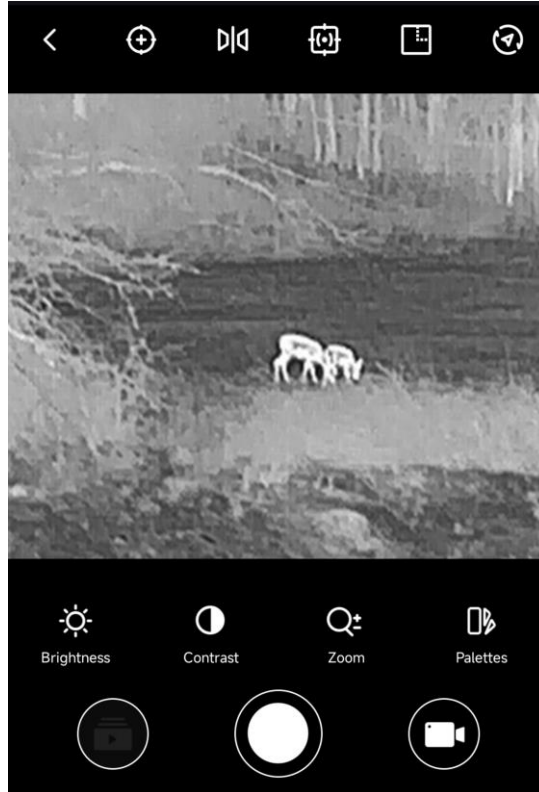


#### Not:

- Askı aparatı, paket içeriğine dahil değildir. Lütfen gerekirse ayrı olarak satın alın.
- Önce telefonunuzda OTG işlevini açın.

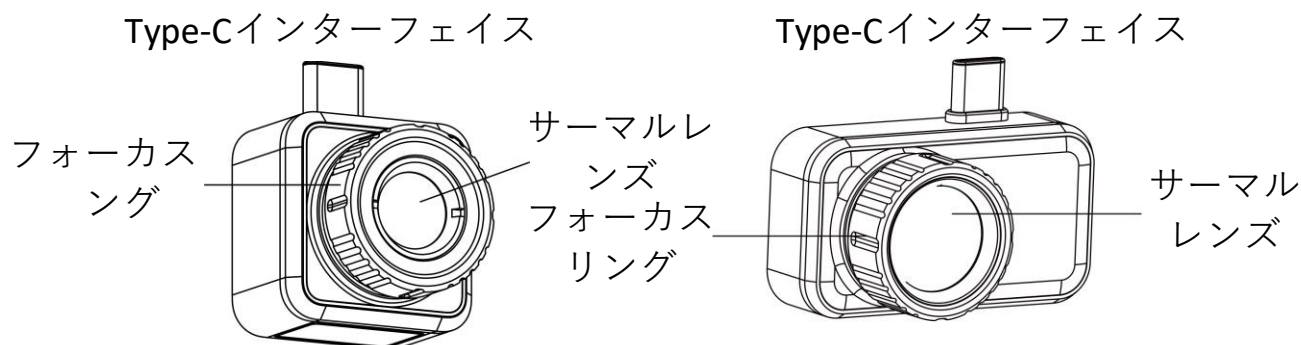
### 4. Uygulama İşlemleri

Cihazı uygulamaya bağlayın ve **Ben -> Hakkında -> Kullanım Kılavuzu**'na giderek daha fazla işlem için uygulamanın kullanım kılavuzuna bakın.





## 1. 外観

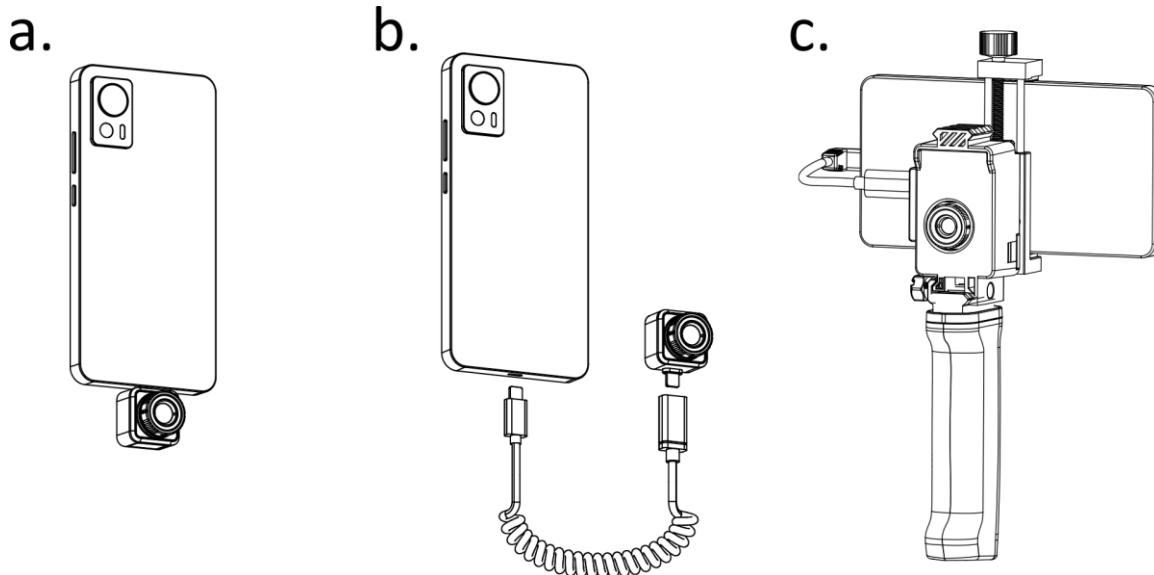


## 2. HIKMICRO Sightの取り付け



Android

## 3. デバイスを接続

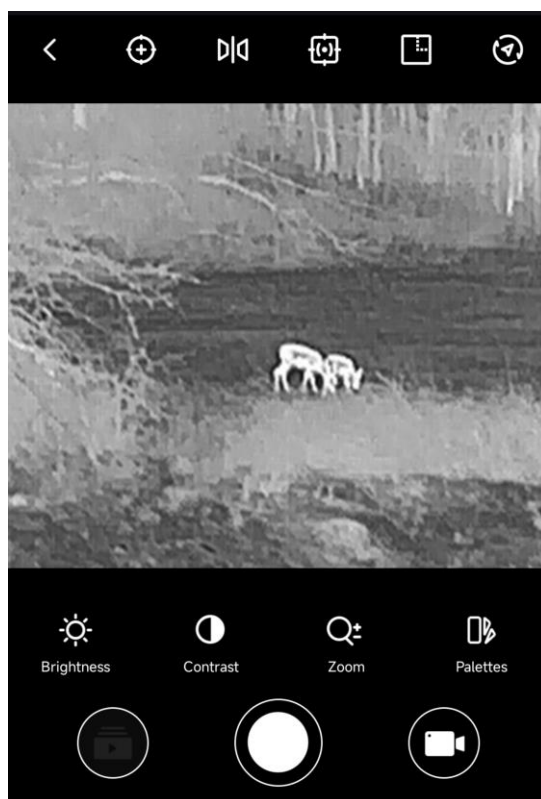


### 注意：

- 取付金具はパッケージに含まれていません。必要に応じて別途購入してください。
- まずスマートフォンのOTG機能をオンにしてください。

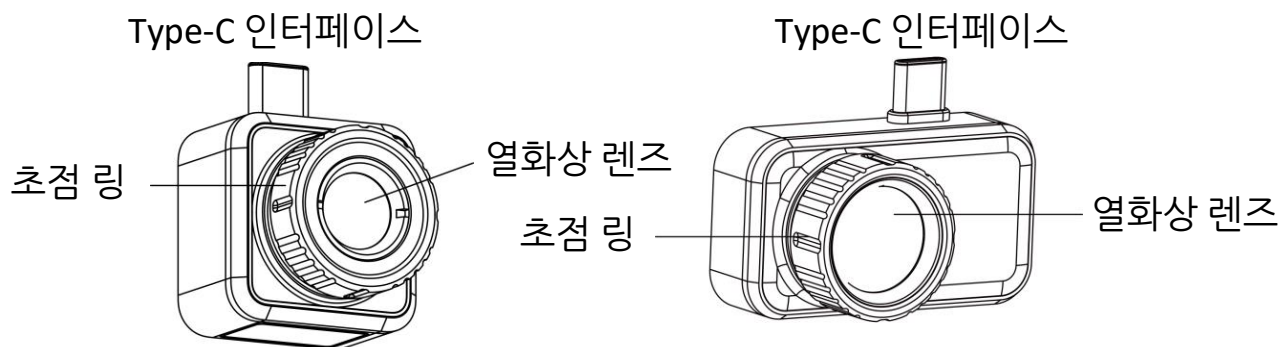
## 4.アプリ操作

アプリにデバイスを接続し、[私]->[バージョン情報]->[ユーザーマニュアル]と移動して、アプリのユーザーマニュアルで他の操作を確認してください。



한국어

### 1. 외관



## 2. HIKMICRO Sight 설치



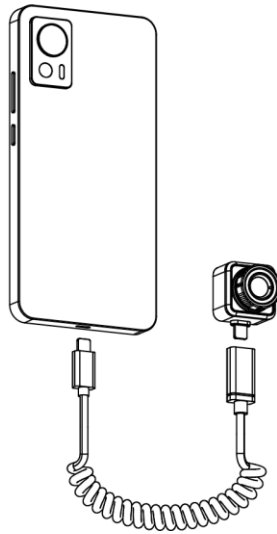
Android

## 3. 장치를 연결합니다

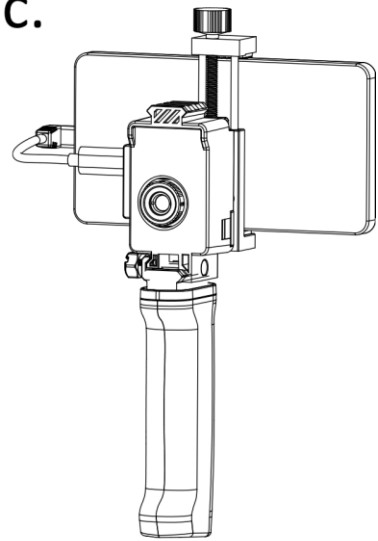
a.



b.



c.

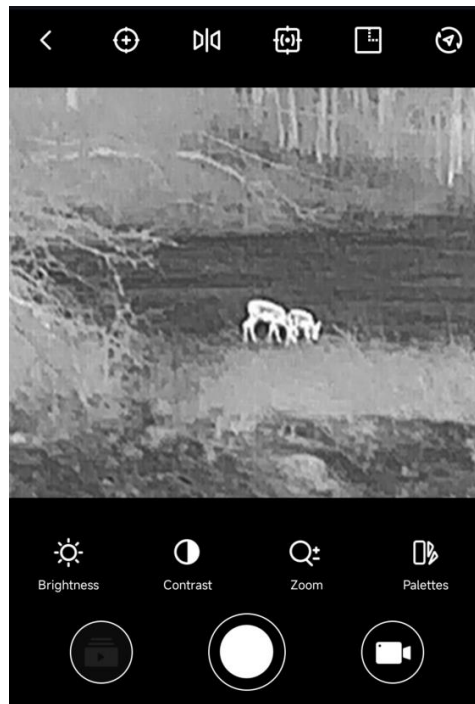


### 노트:

- 브래킷은 패키지에 포함되어 있지 않습니다. 필요하다면 별도로 구입하십시오.
- 먼저 휴대폰에서 OTG 기능을 켜십시오.

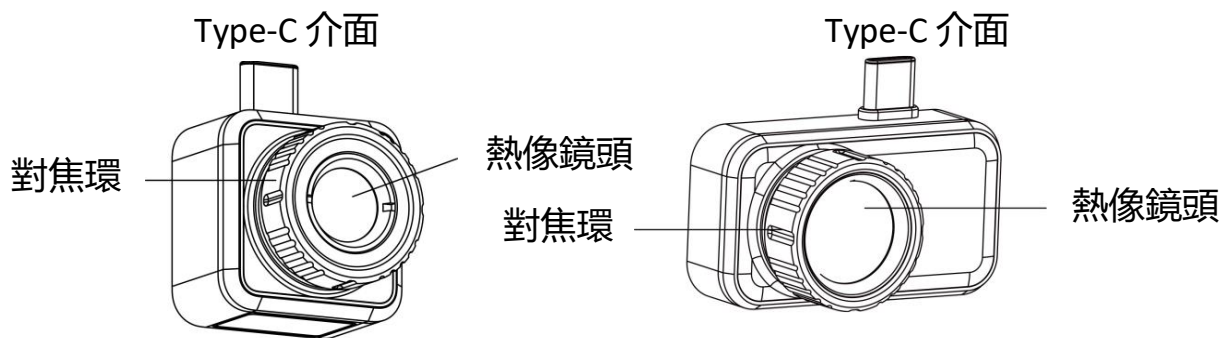
## 4. 앱 조작

장비를 앱에 연결한 다음 나 -> 소개 -> 사용자 매뉴얼로 이동하여 앱의 사용자 매뉴얼을 참조하여 더 많은 작업을 수행하십시오.



繁體中文

## 1.外觀



## 2.安裝 HIKMICRO Sight



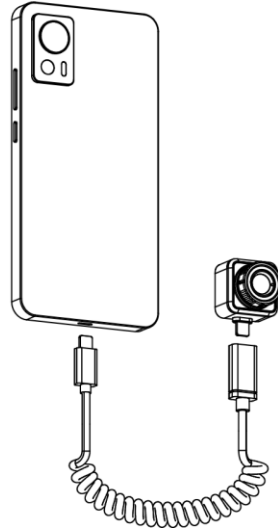
Android

### 3.連接裝置

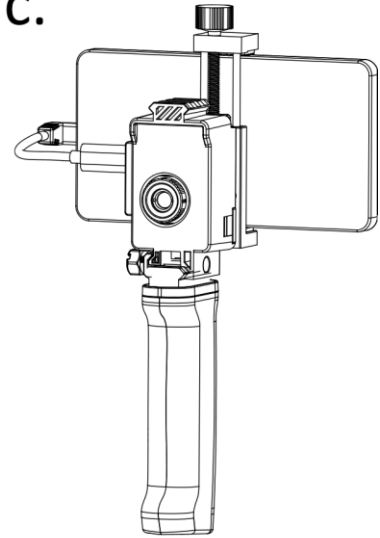
a.



b.



c.

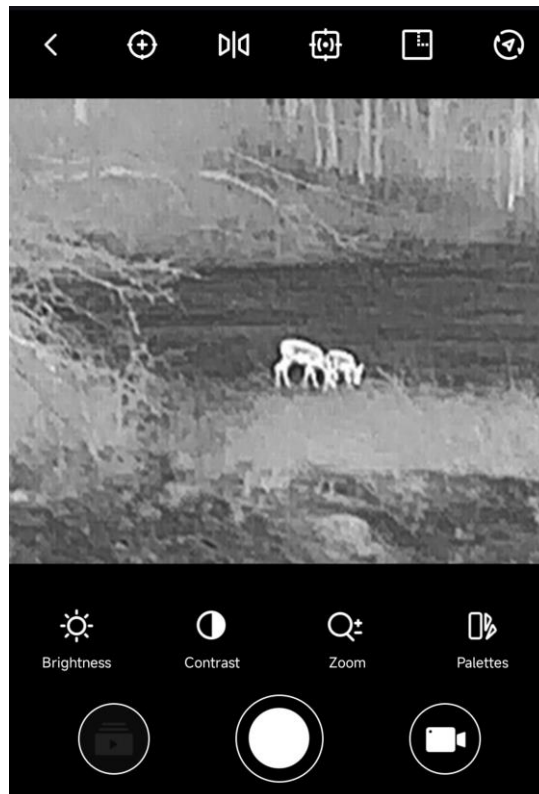


#### 注意事項:

- 包裝中未隨附支架。如有需要，請另外購買。
- 請先在手機上開啟 OTG 功能。

### 4.應用程式操作

將裝置連線到手機應用程式，前往「我」->「關於」->「使用手冊」查閱手機應用程式使用手冊，瞭解更多操作資訊。



**Legal Information**


©2023 Hangzhou Microimage Software Co., Ltd. All rights reserved.

**About this Manual**

The Manual includes instructions for using and managing the Product. Pictures, charts, images and all other information hereinafter are for description and explanation only. The information contained in the Manual is subject to change, without notice, due to firmware updates or other reasons. Please find the latest version of this Manual at the HIKMICRO website ([www.hikmicrotech.com/](http://www.hikmicrotech.com/)).

Please use this Manual with the guidance and assistance of professionals trained in supporting the Product.

**Trademarks Acknowledgement**

 and other HIKMICRO's trademarks and logos are the properties of HIKMICRO in various jurisdictions. Other trademarks and logos mentioned are the properties of their respective owners.

**LEGAL DISCLAIMER**

TO THE MAXIMUM EXTENT PERMITTED BY APPLICABLE LAW, THIS MANUAL AND THE PRODUCT DESCRIBED, WITH ITS HARDWARE, SOFTWARE AND FIRMWARE, ARE PROVIDED "AS IS" AND "WITH ALL FAULTS AND ERRORS". HIKMICRO MAKES NO WARRANTIES, EXPRESS OR IMPLIED, INCLUDING WITHOUT LIMITATION, MERCHANTABILITY, SATISFACTORY QUALITY, OR FITNESS FOR A PARTICULAR PURPOSE. THE USE OF THE PRODUCT BY YOU IS AT YOUR OWN RISK. IN NO EVENT WILL HIKMICRO BE LIABLE TO YOU FOR ANY SPECIAL, CONSEQUENTIAL, INCIDENTAL, OR INDIRECT DAMAGES, INCLUDING, AMONG OTHERS, DAMAGES FOR LOSS OF BUSINESS PROFITS, BUSINESS INTERRUPTION, OR LOSS OF DATA, CORRUPTION OF SYSTEMS, OR LOSS OF DOCUMENTATION, WHETHER BASED ON BREACH OF CONTRACT, TORT (INCLUDING NEGLIGENCE), PRODUCT LIABILITY, OR OTHERWISE, IN CONNECTION WITH THE USE OF THE PRODUCT, EVEN IF HIKMICRO HAS BEEN ADVISED OF THE POSSIBILITY OF SUCH DAMAGES OR LOSS.

YOU ACKNOWLEDGE THAT THE NATURE OF THE INTERNET PROVIDES FOR INHERENT SECURITY RISKS, AND HIKMICRO SHALL NOT TAKE ANY RESPONSIBILITIES FOR ABNORMAL OPERATION, PRIVACY LEAKAGE OR OTHER DAMAGES RESULTING FROM CYBER-ATTACK, HACKER ATTACK, VIRUS INFECTION, OR OTHER INTERNET SECURITY RISKS; HOWEVER, HIKMICRO WILL PROVIDE TIMELY TECHNICAL SUPPORT IF REQUIRED.

YOU AGREE TO USE THIS PRODUCT IN COMPLIANCE WITH ALL APPLICABLE LAWS, AND YOU ARE SOLELY RESPONSIBLE FOR ENSURING THAT YOUR USE CONFORMS TO THE APPLICABLE LAW. ESPECIALLY, YOU ARE RESPONSIBLE, FOR USING THIS PRODUCT IN A MANNER THAT DOES NOT INFRINGE ON THE RIGHTS OF THIRD PARTIES, INCLUDING WITHOUT LIMITATION, RIGHTS OF PUBLICITY, INTELLECTUAL PROPERTY RIGHTS, OR DATA PROTECTION AND OTHER PRIVACY RIGHTS. YOU SHALL NOT USE THIS PRODUCT FOR ILLEGAL HUNTING ANIMALS, INVASION OF PRIVACY OR ANY OTHER PURPOSE WHICH IS ILLEGAL OR DETRIMENTAL TO THE PUBLIC INTEREST. YOU SHALL NOT USE THIS PRODUCT FOR ANY PROHIBITED END-USES, INCLUDING THE DEVELOPMENT OR PRODUCTION OF WEAPONS OF MASS DESTRUCTION, THE DEVELOPMENT OR PRODUCTION OF CHEMICAL OR BIOLOGICAL WEAPONS, ANY ACTIVITIES IN THE CONTEXT RELATED TO ANY NUCLEAR EXPLOSIVE OR UNSAFE NUCLEAR FUEL-CYCLE, OR IN SUPPORT OF HUMAN RIGHTS ABUSES.

PLEASE FOLLOW ALL THE PROHIBITIONS AND EXCEPTIONAL CAVEATS OF ALL APPLICABLE LAWS AND REGULATIONS, IN PARTICULAR, THE LOCAL FIREARMS

AND/OR HUNTING LAWS AND REGULATIONS. PLEASE ALWAYS CHECK NATIONAL PROVISIONS AND REGULATIONS BEFORE PURCHASE OR USE OF THIS PRODUCT. PLEASE NOTE THAT YOU MAY HAVE TO APPLY FOR PERMITS, CERTIFICATES, AND/OR LICENSES BEFORE ANY PURCHASING, SELLING, MARKETING AND/OR USING OF THE PRODUCT. HIKMICRO SHALL NOT BE LIABLE FOR ANY SUCH ILLEGAL OR IMPROPER PURCHASING, SELLING, MARKETING, AND END USES AND ANY SPECIAL, CONSEQUENTIAL, INCIDENTAL, OR INDIRECT DAMAGES ARISING THEREOF. IN THE EVENT OF ANY CONFLICTS BETWEEN THIS MANUAL AND THE APPLICABLE LAW, THE LATTER PREVAILS.


**These clauses apply only to the products bearing the corresponding mark or information.**


**FCC Information**

Note: This product has been tested and found to comply with the limits for a Class B digital device, pursuant to Part 15 of the FCC Rules. These limits are designed to provide reasonable protection against harmful interference in a residential installation. This product generates, uses, and can radiate radio frequency energy and, if not installed and used in accordance with the instructions, may cause harmful interference to radio communications. However, there is no guarantee that interference will not occur in a particular installation. If this product does cause harmful interference to radio or television reception, which can be determined by turning the equipment off and on, the user is encouraged to try to correct the interference by one or more of the following measures:  
—Reorient or relocate the receiving antenna.  
—Increase the separation between the equipment and receiver.  
—Connect the equipment into an outlet on a circuit different from that to which the receiver is connected.  
—Consult the dealer or an experienced radio/TV technician for help.

**EU/UKCA Conformity Statement**

 This product and - if applicable - the supplied accessories too are marked with "CE" and comply therefore with the applicable harmonized European standards listed under the Directive 2014/30/EU (EMCD), Directive 2014/35/EU (LVD), Directive 2011/65/EU (RoHS).

 This product and - if applicable - the supplied accessories too are marked with "UKCA" and comply therefore with the following directives: Electromagnetic Compatibility Regulations 2016, Electrical Equipment (Safety) Regulations 2016, the Restriction of the Use of Certain Hazardous Substances in Electrical and Electronic Equipment Regulations 2012.

 Directive 2012/19/EU (WEEE Directive): Products marked with this symbol cannot be disposed of as unsorted municipal waste in the European Union. For proper recycling, return this product to your local

supplier upon the purchase of equivalent new equipment, or dispose of it at designated collection points. For more information see: [www.recyclethis.info](http://www.recyclethis.info).

According to the Waste Electrical and Electronic Equipment Regulations 2013: Products marked with this symbol cannot be disposed of as unsorted municipal waste in the United Kingdom. For proper recycling, return this product to your local supplier upon the purchase of equivalent new equipment, or dispose of it at designated collection points. For more information see: [www.recyclethis.info](http://www.recyclethis.info).

**Industry Canada ICES-003 Compliance**

This device meets the CAN ICES-003 (B)/NMB-003 (B) standards requirements.

### Safety Instruction

These instructions are intended to ensure that user can use the product correctly to avoid danger or property loss.

### Laws and Regulations

Use of the product must be in strict compliance with the local electrical safety regulations.

### Power Supply

● The input voltage for the device should meet the Limited Power Source (5 VDC, 2 A) according to the IEC61010-1 standard. Please refer to actual products and technical specifications for detailed information.

### Transportation

- Keep the device in original or similar packaging while transporting it.
- Keep all wrappers after unpacking them for future use. In case of any failure occurred, you need to return the device to the factory with the original wrapper.
- Transportation without the original wrapper may result in damage on the device and the company shall not take any responsibilities.
- Do not drop the product or subject it to physical shock. Keep the device away from magnetic interference.

### Maintenance

- If the product does not work properly, please contact your dealer or the nearest service center. We shall not assume any responsibility for problems caused by unauthorized repair or maintenance.
- Wipe the device gently with a clean cloth and a small quantity of ethanol, if necessary.
- If the equipment is used in a manner not specified by the manufacturer, the protection provided by the device may be impaired.
- Clean the lens with soft and dry cloth or wiping paper to avoid scratching it.

### Using Environment

- Make sure the running environment meets the requirement of the device. The operating temperature shall be -10 °C to 50 °C (14 °F to 122 °F), and the operating humidity shall be 95% or less, no condensing.
- Place the device in a dry and well-ventilated environment.
- DO NOT expose the device to high electromagnetic radiation or dusty environments.
- DO NOT aim the lens at the sun or any other bright light.
- When any laser equipment is in use, make sure that the device lens is not exposed to the laser beam, or it may burn out.

### Emergency

If smoke, odor, or noise arises from the device, immediately turn off the power, unplug the power cable, and contact the service center.

### Manufacture Address

Room 313, Unit B, Building 2, 399 Danfeng Road, Xixing Subdistrict, Binjiang District, Hangzhou, Zhejiang 310052, China  
Hangzhou Microimage Software Co., Ltd.

COMPLIANCE NOTICE: The thermal series products might be subject to export controls in various countries or regions, including without limitation, the United States, European Union, United Kingdom and/or other member countries of the Wassenaar Arrangement. Please consult your professional legal or compliance expert or local government authorities for any necessary export license requirements if you intend to transfer, export, re-export the thermal series products between different countries.

**Deutsch**

Rechtliche Informationen

### HAFTUNGSAUSSCHLUSS

DIESE BEDIENUNGSANLEITUNG UND DAS BESCHRIEBENE PRODUKT MIT SEINER HARDWARE, SOFTWARE UND FIRMWARE WERDEN, SOWEIT GESETZLICH ZULÄSSIG, IN DER „VORLIEGENDEN FORM“ UND MIT „ALLEN FEHLERN UND IRRTÜMERN“ BEREITGESTELLT. HIKMICRO GIBT KEINE GARANTIE, WEDER AUSDRÜCKLICH NOCH STILLSCHWEIGEND, EINSCHLIEßLICH, ABER OHNE DARAUF BESCHRÄNKT ZU SEIN, MARKTGÄNGIGKEIT, ZUFRIEDENSTELLENDEN QUALITÄT ODER EIGNUNG FÜR EINEN BESTIMMTEN ZWECK. DIE NUTZUNG DES PRODUKTS DURCH SIE ERFOLGT AUF IHRE EIGENE GEFAHR. IN KEINEM FALL IST HIKMICRO IHNEN GEGENÜBER HAFTBAR FÜR BESONDERE, ZUFÄLLIGE, DIREKTE ODER INDIREKTE SCHÄDEN, EINSCHLIEßLICH, ABER OHNE DARAUF BESCHRÄNKT ZU SEIN, VERLUST VON GESCHÄFTSGEWINNEN, GESCHÄFTSUNTERBRECHUNG, DATENVERLUST, SYSTEMBESCHÄDIGUNG, VERLUST VON DOKUMENTATIONEN, SEI ES AUFGRUND VON VERTRAGSBRUCH, UNERLAUBTER HANDLUNG (EINSCHLIEßLICH FAHRLÄSSIGKEIT), PRODUKTHAFTUNG ODER ANDERWEITIG, IN VERBINDUNG MIT DER VERWENDUNG DIESES PRODUKTS, SELBST WENN HIKMICRO ÜBER DIE MÖGLICHKEIT DERARTIGER SCHÄDEN ODER VERLUSTE INFORMIERT WAR.

SIE ERKENNEN AN, DASS DIE NATUR DES INTERNETS DAMIT VERBUNDENE SICHERHEITSRISIKEN BEINHÄLTET. HIKMICRO ÜBERNIMMT KEINE VERANTWORTUNG FÜR ANORMALEN BETRIEB, DATENVERLUST ODER ANDERE SCHÄDEN, DIE SICH AUS CYBERANGRIFFEN, HACKERANGRIFFEN, VIRUSINFESTION ODER ANDEREN SICHERHEITSRISIKEN IM INTERNET ERGEBEN. HIKMICRO WIRD JEDOCH BEI BEDARF ZEITNAH TECHNISCHEM SUPPORT LEISTEN.

SIE STIMMEN ZU, DIESES PRODUKT IN ÜBEREINSTIMMUNG MIT ALLEN GELTENDEN GESETZEN ZU VERWENDEN, UND SIE SIND ALLEIN DAFÜR VERANTWORTLICH, DASS IHRE VERWENDUNG GEGEN KEINE GELTENDEN GESETZE VERSTÖßT. INSBESONDERE SIND SIE DAFÜR VERANTWORTLICH, DIESES PRODUKT SO ZU VERWENDEN, DASS DIE RECHTE DRITTER NICHT VERLETZT WERDEN, EINSCHLIEßLICH, ABER NICHT BESCHRÄNKT AUF VERÖFFENTLICHUNGSRECHTE, DIE RECHTE AN GEISTIGEM EIGENTUM ODER DEN DATENSCHUTZ UND ANDERE PERSÖNLICHKEITSRECHTE. DIESES PRODUKT DARF NICHT FÜR DIE ILLEGALE JAGD AUF TIERE, DIE VERLETZUNG DER PRIVATSPHÄRE ODER FÜR EINEN ANDEREN ZWECK VERWENDET WERDEN, DER ILLEGAL ODER DEM ÖFFENTLICHEN INTERESSE ABTRÄGLICH IST. SIE DÜRFEN DIESES PRODUKT NICHT FÜR VERBOTENE ENDANWENDUNGEN VERWENDEN, EINSCHLIEßLICH DER ENTWICKLUNG ODER HERSTELLUNG VON MASSENVERNICHTUNGSWAFFEN, DER ENTWICKLUNG ODER HERSTELLUNG CHEMISCHER ODER BIOLOGISCHER WAFFEN, JEDLICHER AKTIVITÄTEN IM ZUSAMMENHANG MIT EINEM NUKLEAREN SPRENGKÖRPER ODER UNSICHEREN NUKLEAREN BRENNSTOFFKREISLAUF BZW. ZUR UNTERSTÜTZUNG VON MENSCHENRECHTSVERLETZUNGEN.

BEACHTEN SIE BITTE ALLE VERBOTE UND AUSNAHMEN DER GELTENDEN GESETZE UND VORSCHRIFTEN, INSBESONDERE DIE ÖRTLICHEN SCHUSSWAFFEN- UND/ODER JAGDGESETZE UND VORSCHRIFTEN. ÜBERPRÜFEN SIE VOR DEM KAUF UND DER VERWENDUNG DIESES PRODUKTES STETS DIE NATIONALEN BESTIMMUNGEN UND VORSCHRIFTEN. BEACHTEN SIE BITTE, DASS SIE VOR DEM KAUF, DEM VERKAUF, DER VERMARKTUNG UND/ODER DER VERWENDUNG DES PRODUKTS MÖGLICHERWEISE GENEHMIGUNGEN, ZERTIFIKATE UND/ODER LIZENZEN BEANTRAGEN MÜSSEN. HIKMICRO ÜBERNIMMT KEINE HAFTUNG FÜR EINEN SOLCHEN ILLEGALEN ODER UNSACHGEMÄSSEN KAUF, VERKAUF, VERMARKTUNG

UND DIE ENDVERWENDUNG DES PRODUKTS SOWIE FÜR SPEZIELLE, FOLGE-, ZUFÄLLIGE ODER INDIRECTE SCHÄDEN, DIE SICH DARAUS ERGEBEN. IM FALL VON WIDERSPRÜCHEN ZWISCHEN DIESER BEDIENUNGSANLEITUNG UND GELTENDEM RECHT IST LETZTERES MASSGEBLICH.

**Diese Bestimmungen gelten nur für Produkte, die das entsprechende Zeichen oder die entsprechenden Informationen tragen.**

### EU-Konformitätserklärung



Dieses Produkt und – gegebenenfalls – das mitgelieferte Zubehör tragen das „CE“-Kennzeichen und entsprechen daher den geltenden harmonisierten europäischen Normen, die in der Richtlinie 2014/30/EU (EMCD), der Richtlinie 2014/35/EU (NSR) und der Richtlinie 2011/65/EU (RoHS) aufgeführt sind.



Richtlinie 2012/19/EU (WEEE-Richtlinie): Produkte, die mit diesem Symbol gekennzeichnet sind, dürfen innerhalb der Europäischen Union nicht mit dem Hausmüll entsorgt werden. Für korrektes

Recycling geben Sie dieses Produkt an Ihren örtlichen Fachhändler zurück oder entsorgen Sie es an einer der Sammelstellen. Weitere Informationen finden Sie unter: [www.recyclethis.info](http://www.recyclethis.info).

### Sicherheitshinweis

Diese Anleitungen sollen gewährleisten, dass Sie das Produkt korrekt verwenden, um Gefahren oder Sachschäden zu vermeiden.

### Gesetze und Vorschriften

Die Verwendung des Produkts muss in strikter Übereinstimmung mit den örtlichen Vorschriften zur elektrischen Sicherheit erfolgen.

### Spannungsversorgung

● Die Eingangsspannung für das Gerät muss den Anforderungen der begrenzten Stromquelle (5 VDC, 2 A) gemäß der Norm IEC61010-1 entsprechen. Detaillierte Informationen entnehmen Sie bitte den aktuellen Produkten und technischen Spezifikationen.

### Transportwesen

- Bewahren Sie das Gerät beim Transport in der ursprünglichen oder einer vergleichbaren Verpackung auf.
- Bewahren Sie das gesamte Verpackungsmaterial nach dem Auspacken für zukünftigen Gebrauch auf. Im Falle eines Fehlers müssen Sie das Gerät in der Originalverpackung an das Werk zurücksenden.
- Beim Transport ohne Originalverpackung kann das Gerät beschädigt werden und wir übernehmen keine Verantwortung.
- Lassen Sie das Produkt nicht fallen und vermeiden Sie heftige Stöße. Halten Sie das Gerät von magnetischen Störungen fern.

### Wartung

- Falls das Produkt nicht einwandfrei funktionieren sollte, wenden Sie sich an Ihren Händler oder den nächstgelegenen Kundendienst. Wir übernehmen keine Haftung für Probleme, die durch nicht Reparatur- oder Instandhaltungsarbeiten von nicht autorisierten Dritten verursacht werden.
- Wischen Sie das Gerät bei Bedarf sanft mit einem sauberen Tuch und einer geringen Menge Ethanol ab.
- Wenn das Gerät nicht vom Hersteller vorgegebenem Sinne genutzt wird, kann der durch das Gerät bereitgestellte Schutz beeinträchtigt werden.
- Reinigen Sie das Objektiv mit einem weichen und trockenen Tuch oder Wischpapier, um Kratzer zu vermeiden.

### Einsatzumgebung

- Achten Sie darauf, dass die Betriebsumgebung den Anforderungen des Geräts entspricht. Die Betriebstemperatur des Geräts muss zwischen -10 °C und 50 °C liegen und die Betriebsluftfeuchtigkeit darf höchstens 95 % betragen (keine Kondensation).
- Stellen Sie das Gerät an einem kühlen und gut belüfteten Ort auf.
- Setzen Sie das Gerät KEINER hohen elektromagnetischen Strahlung oder staubigen Umgebungen aus.
- Richten Sie das Objektiv NICHT auf die Sonne oder eine andere helle Lichtquelle.
- Achten Sie bei Verwendung eines Lasergeräts darauf, dass das Objektiv des Geräts nicht dem Laserstrahl ausgesetzt wird. Andernfalls könnte es durchbrennen.

### Notruf

Sollten sich Rauch, Gerüche oder Geräusche in dem Gerät entwickeln, so schalten Sie es unverzüglich aus und ziehen Sie den Netzstecker. Wenden Sie sich dann an den Kundendienst.

### Anschrift des Herstellers

Raum 313, Einheit B, Gebäude 2, 399 Danfeng-Straße, Gemarkung Xixing, Stadtbezirk Binjiang, Hangzhou, Zhejiang 310052, China  
Hangzhou Microimage Software Co., Ltd.

RECHTLICHER HINWEIS: Die Produkte der Wärmebildkamera-Serie unterliegen unter Umständen in verschiedenen Ländern oder Regionen Exportkontrollen, wie zum Beispiel in den Vereinigten Staaten, der Europäischen Union, dem Vereinigten Königreich und/oder anderen Mitgliedsländern des Wassenaar-Abkommens. Bitte informieren Sie sich bei Ihrem Rechtsexperten oder bei den örtlichen Behörden über die erforderlichen Exportlizenzen, wenn Sie beabsichtigen, die Produkte der Wärmebildkamera-Serie in verschiedene Länder zu transferieren, zu exportieren oder zu reexportieren.

## Français

### Informations légales

#### MENTIONS LÉGALES

DANS LES LIMITES AUTORISÉES PAR LA LOI EN VIGUEUR, LE PRÉSENT MANUEL ET LE PRODUIT DÉCRIT, AINSI QUE SON MATÉRIEL, SES LOGICIELS ET SES MICROLOGICIELS, SONT FOURNIS « EN L'ÉTAT » ET « AVEC CES FAIBLESSES ET ERREURS ». HIKMICRO NE FAIT AUCUNE GARANTIE, EXPLICITE OU IMPLICITE, Y COMPRIS, MAIS SANS S'Y LIMITER, DE QUALITÉ MARCHANDE, DE QUALITÉ SATISFAISANTE, OU D'ADÉQUATION À UN USAGE PARTICULIER. VOUS UTILISEZ LE PRODUIT À VOS PROPRES RISQUES. EN AUCUN CAS, HIKMICRO NE SERA TENU RESPONSABLE DE TOUT DOMMAGE SPÉCIAL, CONSÉCUTIF, ACCESSOIRE OU INDIRECT, Y COMPRIS, ENTRE AUTRES, LES DOMMAGES RELATIFS À LA PERTE DE PROFITS D'ENTREPRISE, À L'INTERRUPTION D'ACTIVITÉS COMMERCIALES, OU LA PERTE DES DONNÉES, LA CORRUPTION DES SYSTÈMES, OU LA PERTE DES DOCUMENTS, S'ILS SONT BASÉS SUR UNE VIOLATION DE CONTRAT, UNE FAUTE (Y COMPRIS LA NÉGLIGENCE), LA RESPONSABILITÉ EN MATIÈRE DE PRODUITS, OU AUTRE, EN RAPPORT AVEC L'UTILISATION DU PRODUIT, MÊME SI HIKMICRO A ÉTÉ INFORMÉ DE LA POSSIBILITÉ D'UN TEL DOMMAGE OU D'UNE TELLE PERTE. VOUS RECONNAISSEZ QUE LA NATURE D'INTERNET EST SOURCE DE RISQUES DE SÉCURITÉ INHÉRENTS, ET HIKMICRO SE DÉGAGE DE TOUTE RESPONSABILITÉ EN CAS DE FONCTIONNEMENT ANORMAL, DIVULGATION D'INFORMATIONS CONFIDENTIELLES OU AUTRES DOMMAGES DÉCOULANT D'UNE CYBERATTAQUE, D'UN PIRATAGE INFORMATIQUE, D'UNE INFECTION PAR DES VIRUS, OU AUTRES RISQUES DE SÉCURITÉ LIÉS À INTERNET ; TOUTEFOIS, HIKMICRO FOURNIRA UNE ASSISTANCE TECHNIQUE DANS LES DÉLAIS SI NÉCESSAIRE.



VOUS ACCEPTEZ D'UTILISER CE PRODUIT CONFORMÉMENT À L'ENSEMBLE DES LOIS EN VIGUEUR. IL EST DE VOTRE RESPONSABILITÉ EXCLUSIVE DE VEILLER À CE QUE VOTRE UTILISATION SOIT CONFORME À LA LOI APPLICABLE. IL VOUS APPARTIENT SURTOUT D'UTILISER CE PRODUIT D'UNE MANIÈRE QUI NE PORTE PAS ATTEINTE AUX DROITS DE TIERS, Y COMPRIS, MAIS SANS S'Y LIMITER, LES DROITS DE PUBLICITÉ, LES DROITS DE PROPRIÉTÉ INTELLECTUELLE, OU LA PROTECTION DES DONNÉES ET D'AUTRES DROITS À LA VIE PRIVÉE. VOUS NE DEVEZ PAS UTILISER CE PRODUIT POUR LA CHASSE ILLÉGALE D'ANIMAUX, LA VIOLATION DE LA VIE PRIVÉE OU POUR TOUTE AUTRE FIN JUGÉE ILLÉGALE OU PRÉJUDICIALE À L'INTÉRÊT PUBLIC. VOUS NE DEVEZ PAS UTILISER CE PRODUIT POUR TOUTE UTILISATION FINALE INTERDITE, NOTAMMENT LA MISE AU POINT OU LA PRODUCTION D'ARMES DE DESTRUCTION MASSIVE, LA MISE AU POINT OU LA FABRICATION D'ARMES CHIMIQUES OU BIOLOGIQUES, LES ACTIVITÉS DANS LE CONTEXTE LIÉ AUX EXPLOSIFS NUCLÉAIRES OU AU CYCLE DU COMBUSTIBLE NUCLÉAIRE DANGEREUX, OU SOUTENANT LES VIOLATIONS DES DROITS DE L'HOMME.

VEUILLEZ RESPECTER TOUTES LES INTERDICTIONS ET TOUTES LES RESTRICTIONS EXCEPTIONNELLES DE L'ENSEMBLE DES LOIS ET RÉGLEMENTATIONS APPLICABLES, EN PARTICULIER, DES LOIS ET RÉGLEMENTATIONS LOCALES RELATIVES AUX ARMES À FEU OU À LA CHASSE. VEUILLEZ TOUJOURS VÉRIFIER LES DISPOSITIONS ET RÉGLEMENTATIONS NATIONALES AVANT D'ACHETER ET D'UTILISER CE PRODUIT. NOTEZ QUE VOUS DEVREZ PEUT-ÊTRE DEMANDER DES PERMIS, DES CERTIFICATS OU DES LICENCES AVANT D'ACHETER, DE VENDRE, DE MENER UNE ACTIVITÉ MARKETING POUR OU D'UTILISER CE PRODUIT. LA SOCIÉTÉ HIKMICRO NE SERA PAS TENUE POUR RESPONSABLE DE TELLES ACQUISITIONS, VENTES, ACTIVITÉS MARKETING ET UTILISATIONS FINALES ILLÉGALES OU INAPPROPRIÉES ET DES DOMMAGES PARTICULIERS, CONSÉCUTIFS, ACCESSOIRES OU INDIRECTS QUI POURRAIENT EN RÉSULTER. EN CAS DE CONFLIT ENTRE CE MANUEL ET LES LOIS EN VIGUEUR, CES DERNIÈRES PRÉVALENT.

**Ces clauses ne s'appliquent qu'aux produits portant la marque ou l'information correspondante.**

#### Déclaration de conformité UE



Ce produit et, le cas échéant, les accessoires qui l'accompagnent, sont estampillés « CE » et sont donc conformes aux normes européennes harmonisées en vigueur répertoriées sous la directive 2014/30/UE (EMCD), la directive 2014/35/UE (LVD) et la directive 2011/65/UE (RoHS).



Directive 2012/19/UE (directive DEEE) : dans l'Union européenne, les produits portant ce pictogramme ne doivent pas être déposés dans une déchèterie municipale où le tri des déchets n'est pas pratiqué. Pour un recyclage adéquat, remettez ce produit à votre revendeur lors de l'achat d'un nouvel équipement équivalent, ou déposez-le dans un lieu de collecte prévu à cet effet. Pour de plus amples informations, visitez le site Web : [www.recyclethis.info](http://www.recyclethis.info).

#### Conformité Industrie Canada ICES-003

Cet appareil répond aux exigences des normes CAN ICES-003 (B)/NMB-003 (B).

#### Consignes de sécurité

L'objectif de ces instructions est de garantir que l'utilisateur soit en mesure d'utiliser correctement le produit sans danger ou dommage aux biens.

#### Lois et réglementations

L'appareil doit être strictement utilisé conformément à la réglementation locale en matière de sécurité électrique.

#### Alimentation électrique

● La tension d'entrée pour l'appareil doit être conforme à celle d'une source d'alimentation limitée (5 V CC, 2 A) selon la norme IEC 61010-1. Veuillez reporter aux produits réels et aux caractéristiques techniques pour obtenir des informations détaillées.

#### Transport

- Gardez l'appareil dans son emballage d'origine ou dans un emballage similaire lors de son transport.
- Veuillez conserver l'emballage de l'appareil pour toute utilisation ultérieure. En cas de panne, vous devrez renvoyer l'appareil à l'usine dans son emballage d'origine.
- Le transport de l'appareil sans son emballage d'origine peut l'endommager, et l'entreprise se dégage de toute responsabilité dans ce cas.
- Ne pas faire tomber le produit ou le soumettre à un choc physique. Éloigner l'appareil d'interférences magnétiques.

#### Maintenance

- Si le produit ne fonctionne pas correctement, contactez votre revendeur ou le centre de service le plus proche. Nous n'assumerons aucune responsabilité concernant les problèmes causés par une réparation ou une opération de maintenance non autorisée.
- Essuyez délicatement l'appareil à l'aide d'un chiffon propre imbibé d'une petite quantité d'éthanol, si nécessaire.
- Si l'appareil n'est pas utilisé conformément aux indications du fabricant, le dispositif de protection fourni par l'appareil peut être compromis.
- Nettoyez l'objectif à l'aide d'un chiffon doux et sec ou du papier essuie-tout pour éviter de le rayer.

#### Environnement d'exploitation

- Assurez-vous que l'environnement d'exploitation répond aux exigences de l'appareil. La température de fonctionnement doit être comprise entre -10 °C et 50 °C (-14 °F et 122 °F) et l'humidité de fonctionnement doit être inférieure ou égale à 95 %, sans condensation.
- Placez l'appareil dans un endroit sec et bien aéré.
- N'exposez PAS l'appareil à de puissants rayonnements électromagnétiques ou à des environnements poussiéreux.
- N'orientez PAS l'objectif vers le soleil ou toute autre source de lumière vive.
- Pendant l'utilisation de tout équipement générant un laser, veillez à ce que l'objectif de l'appareil ne soit pas exposé au faisceau laser, car il pourrait brûler.

#### Urgence

Si de la fumée, des odeurs ou du bruit s'échappent de l'appareil, mettez immédiatement l'appareil hors tension et débranchez le câble d'alimentation, puis contactez un centre de réparation.

#### Adresse de fabrication

Logement 313, Unité B, Bâtiment 2, 399 Danfeng Road, Sous-district de Xixing, District de Binjiang, Hangzhou, Zhejiang 310052, Chine  
Hangzhou Microimage Software Co., Ltd.

**AVIS DE CONFORMITÉ** : il est possible que les produits de la série thermique soient soumis à des contrôles d'exportation dans divers pays ou diverses régions, ce qui inclut, sans s'y limiter, les États-Unis, l'Union européenne, le Royaume-Uni ou d'autres pays membres de l'Arrangement de Wassenaar. Veuillez consulter votre expert professionnel en questions juridiques ou en conformité ou les autorités de votre gouvernement local pour toute exigence de permis d'exportation si vous prévoyez de transférer, d'exporter ou de réexporter des produits de la série thermique entre différents pays.


**Información legal****AVISOS LEGALES**

EN LA MEDIDA MÁXIMA PERMITIDA POR LAS LEYES APLICABLES, ESTE MANUAL Y EL PRODUCTO DESCRITO —INCLUIDOS SU HARDWARE, SOFTWARE Y FIRMWARE— SE SUMINISTRAN «TAL CUAL» Y «CON TODOS SU FALLOS Y ERRORES». HIKMICRO NO OFRECE GARANTÍAS, EXPLÍCITAS O IMPLÍCITAS, INCLUIDAS, A MODO MERAMENTE ENUNCIATIVO MAS NO LIMITATIVO, AQUELLAS DE COMERCIABILIDAD, CALIDAD SATISFACTORIA O IDONEIDAD PARA UN PROPÓSITO EN PARTICULAR. EL USO QUE HAGA DEL PRODUCTO CORRE BAJO SU ÚNICO RIESGO. EN NINGÚN CASO, HIKMICRO PODRÁ CONSIDERARSE RESPONSABLE ANTE USTED DE NINGÚN DAÑO ESPECIAL, CONSECUENTE, INCIDENTAL O INDIRECTO, INCLUYENDO, ENTRE OTROS, DAÑOS POR PÉRDIDAS DE BENEFICIOS COMERCIALES, INTERRUPTIÓN DE LA ACTIVIDAD COMERCIAL, PÉRDIDA DE DATOS, CORRUPCIÓN DE LOS SISTEMAS O PÉRDIDA DE DOCUMENTACIÓN, YA SEA POR INCUMPLIMIENTO DEL CONTRATO, AGRAVIO (INCLUYENDO NEGLIGENCIA), RESPONSABILIDAD DEL PRODUCTO O EN RELACIÓN CON EL USO DEL PRODUCTO, INCLUSO CUANDO HIKMICRO HAYA RECIBIDO UNA NOTIFICACIÓN DE LA POSIBILIDAD DE DICHS DAÑOS O PÉRDIDAS. USTED RECONOCE QUE LA NATURALEZA DE INTERNET IMPLICA RIESGOS DE SEGURIDAD INHERENTES Y QUE HIKMICRO NO TENDRÁ NINGUNA RESPONSABILIDAD POR NINGÚN FUNCIONAMIENTO ANORMAL, FILTRACIONES DE PRIVACIDAD U OTROS DAÑOS RESULTANTES DE ATAQUES CIBERNÉTICOS, ATAQUES DE PIRATAS INFORMÁTICOS, INFECCIONES DE VIRUS U OTROS RIESGOS DE SEGURIDAD PROPIOS DE INTERNET; NO OBSTANTE, HIKMICRO PROPORCIONARÁ EL APOYO TÉCNICO OPORTUNO DE SER NECESARIO. USTED ACEPTA USAR ESTE PRODUCTO DE CONFORMIDAD CON TODAS LAS LEYES APLICABLES Y SOLO USTED ES EL ÚNICO RESPONSABLE DE ASEGURAR QUE EL USO CUMPLA CON DICHAS LEYES. EN ESPECIAL, USTED ES RESPONSABLE DE USAR ESTE PRODUCTO DE FORMA QUE NO INFRINJA LOS DERECHOS DE TERCEROS, INCLUYENDO, A MODO ENUNCIATIVO, DERECHOS DE PUBLICIDAD, DERECHOS DE PROPIEDAD INTELECTUAL, DERECHOS RELATIVOS A LA PROTECCIÓN DE DATOS Y OTROS DERECHOS RELATIVOS A LA PRIVACIDAD. NO USARÁ ESTE PRODUCTO PARA LA CAZA ILEGAL DE ANIMALES, LA INVASIÓN DE LA PRIVACIDAD O CUALQUIER OTRO PROPÓSITO QUE SEA ILEGAL O PERJUDICIAL PARA EL INTERÉS PÚBLICO. NO UTILIZARÁ ESTE PRODUCTO PARA NINGÚN USO FINAL PROHIBIDO, INCLUYENDO EL DESARROLLO O LA PRODUCCIÓN DE ARMAS DE DESTRUCCIÓN MASIVA, EL DESARROLLO O PRODUCCIÓN DE ARMAS QUÍMICAS O BIOLÓGICAS, NINGUNA ACTIVIDAD EN EL CONTEXTO RELACIONADO CON ALGÚN EXPLOSIVO NUCLEAR O EL CICLO DE COMBUSTIBLE NUCLEAR INSEGURO O EN APOYO DE ABUSOS DE LOS DERECHOS HUMANOS. RESPETE TODAS LAS PROHIBICIONES Y ADVERTENCIAS EXCEPCIONALES DE TODAS LAS LEYES Y REGLAMENTOS APLICABLES, EN PARTICULAR, LAS LEYES Y REGLAMENTOS LOCALES SOBRE ARMAS DE FUEGO Y/O CAZA. REVISE SIEMPRE TODAS LAS DISPOSICIONES Y NORMATIVAS NACIONALES ANTES DE COMPRAR O UTILIZAR ESTE PRODUCTO. TENGA EN CUENTA QUE USTED TIENE QUE SOLICITAR LOS PERMISOS, CERTIFICADOS Y/O LICENCIAS CORRESPONDIENTES ANTES DE COMPRAR, VENDER, PUBLICITAR Y/O UTILIZAR EL PRODUCTO. HIKMICRO NO SERÁ RESPONSABLE DE CUALQUIER COMPRA, VENTA, COMERCIALIZACIÓN Y USO ILEGALES O INADECUADOS, NI DE NINGÚN DAÑO ESPECIAL, CONSECUENTE, INCIDENTAL O INDIRECTO DERIVADO DE LOS MISMOS.

EN CASO DE HABER CONFLICTO ENTRE ESTE MANUAL Y LA LEGISLACIÓN VIGENTE, ESTA ÚLTIMA PREVALECE.

Estas cláusulas solo se aplican a los productos que lleven la marca o la información correspondiente.

**Declaración de conformidad de la UE**

 Este producto, así como los accesorios suministrados (si procede), tienen el marcado «CE» y, por lo tanto, cumplen con las normativas europeas armonizadas aplicables que se enumeran en la Directiva 2014/30/UE (CEM), la Directiva 2014/35/UE (LVD) y la Directiva 2011/65/UE (RoHS).



Directiva 2012/19/UE (directiva RAEE): En la Unión Europea, los productos marcados con este símbolo no pueden ser desechados en el sistema de basura municipal sin recogida selectiva. Para un reciclaje adecuado, entregue este producto en el lugar de compra del equipo nuevo equivalente o deshágase de él en el punto de recogida designado a tal efecto. Para más información visite: [www.recyclethis.info](http://www.recyclethis.info).

**Instrucciones de seguridad**

Estas instrucciones están destinadas a garantizar que el usuario pueda utilizar el producto correctamente para evitar peligros o pérdidas materiales.

**Leyes y normativas**

El uso del producto ha de cumplir estrictamente con las normas de seguridad eléctrica locales.

**Fuente de alimentación**

● La tensión de entrada al dispositivo debe coincidir con la fuente de alimentación limitada (5 V CC, 2 A) en conformidad con la norma IEC61010-1. Consulte los productos y las especificaciones técnicas para obtener más información.

**Transporte**

- Guarde el dispositivo en su paquete original o en uno similar cuando lo transporte.
- Guarde el embalaje para uso futuro. En el caso de que ocurra algún fallo, deberá devolver el dispositivo a la fábrica con el envoltorio original.
- En caso de transporte sin el envoltorio original podría resultar en daños en el dispositivo y la empresa no se hará responsable.
- No deje caer el producto ni lo someta a impactos físicos. Mantenga el dispositivo alejado de interferencias magnéticas.

**Mantenimiento**

- Si el producto no funciona correctamente, por favor, póngase en contacto con su distribuidor o con el centro de servicio técnico más próximo. No nos haremos responsables de los problemas derivados de una reparación o mantenimiento no autorizados.
- Limpie suavemente el dispositivo con una gamuza limpia con una pequeña cantidad de etanol, si fuese necesario.
- Si se utiliza el equipo de una manera no especificada por el fabricante, la protección del dispositivo podría verse mermada.
- Limpie las lentes con un paño suave y seco o papel para limpiar cristales para evitar arañazos.

**Entorno de uso**

- Compruebe que el entorno de uso se adapte a los requisitos del dispositivo. La temperatura de funcionamiento estará entre -10 °C y 50 °C, y la humedad relativa de funcionamiento será del 95% o inferior, sin condensación.
- Coloque el dispositivo en un entorno seco y con buena ventilación.
- NO exponga el dispositivo a radiaciones electromagnéticas o entornos polvorientos.
- NO oriente la lente hacia el sol ni a otras luces brillantes.

- Cuando utilice equipos láser, asegúrese de que el objetivo del dispositivo no quede expuesto al rayo láser ya que podría quemarse.

### Emergencia

Si hay presencia de humo, olores o ruidos procedentes del dispositivo, apague la alimentación inmediatamente, desenchufe el cable de alimentación y contacte con el servicio técnico.

### Dirección de fabricación

Habitación 313, Unidad B, Edificio 2, Carretera de Danfeng 399, Subdistrito de Xixing, Distrito de Binjiang, Hangzhou, Zhejiang 310052, China  
Hangzhou Microimage Software Co., Ltd.

AVISO DE CONFORMIDAD: Los productos de las series térmicas podrían estar sujetos a controles de exportación en algunos países o regiones; entre ellos, por ejemplo, los Estados Unidos, la Unión Europea, el Reino Unido y/o otros países miembros del Arreglo de Wassenaar. Consulte con algún experto en cumplimiento normativo y legal o con las autoridades gubernamentales locales para cumplir con los requisitos de licencia de exportación necesarios si desea transferir, exportar o reexportar los productos de las series térmicas entre distintos países.

## Português

### Informação legal

#### EXCLUSÃO DE RESPONSABILIDADE LEGAL

NA MEDIDA MÁXIMA PERMITIDA PELA LEI APLICÁVEL, ESTE MANUAL E O PRODUTO DESCRITO, COM O SEU HARDWARE, SOFTWARE E FIRMWARE, SÃO FORNECIDOS "TAL COMO ESTÃO" E "COM TODAS AS SUAS FALHAS E ERROS". A HIKMICRO NÃO APRESENTA QUAISQUER GARANTIAS, EXPRESSAS OU IMPLÍCITAS, INCLUINDO, SEM QUAISQUER LIMITAÇÕES, GARANTIAS DE COMERCIALIZAÇÃO, QUALIDADE SATISFATÓRIA OU ADEQUAÇÃO A UM DETERMINADO FIM. A SUA UTILIZAÇÃO DESTE PRODUTO É FEITA POR SUA CONTA E RISCO. EM NENHUMA CIRCUNSTÂNCIA, A HIKMICRO SERÁ RESPONSÁVEL POR SI EM RELAÇÃO A QUAISQUER DANOS ESPECIAIS, CONSEQUENCIAIS, INCIDENTAIS OU INDIRETOS, INCLUINDO, ENTRE OUTROS, DANOS PELA PERDA DE LUCROS COMERCIAIS, INTERRUPÇÃO DA ATIVIDADE, PERDA DE DADOS, CORRUPÇÃO DE SISTEMAS OU PERDA DE DOCUMENTAÇÃO SEJA COM BASE NUMA VIOLAÇÃO DO CONTRATO, ATOS ILÍCITOS (INCLUÍDO NEGLIGÊNCIA), RESPONSABILIDADE PELO PRODUTO OU, DE OUTRO MODO, RELACIONADA COM A UTILIZAÇÃO DO PRODUTO, AINDA QUE A HIKMICRO TENHA SIDO AVISADA SOBRE A POSSIBILIDADE DE TAIS DANOS OU PERDAS.

O UTILIZADOR RECONHECE QUE A NATUREZA DA INTERNET OFERECE RISCOS DE SEGURANÇA INERENTES E QUE A HIKMICRO NÃO SERÁ RESPONSABILIZADA POR UM FUNCIONAMENTO ANORMAL, PERDA DE PRIVACIDADE OU OUTROS DANOS RESULTANTES DE ATAQUES INFORMÁTICOS, ATAQUES DE PIRATARIA, INFEÇÃO POR VÍRUS OU OUTROS RISCOS ASSOCIADOS À SEGURANÇA DA INTERNET. NO ENTANTO, A HIKMICRO PRESTARÁ APOIO TÉCNICO ATEMPADO, SE SOLICITADO.

O UTILIZADOR ACEITA UTILIZAR ESTE PRODUTO EM CONFORMIDADE COM TODAS AS LEIS APLICÁVEIS E SER O ÚNICO RESPONSÁVEL POR GARANTIR QUE A SUA UTILIZAÇÃO É CONFORME À LEI APLICÁVEL. PARTICULARMENTE, O UTILIZADOR É O RESPONSÁVEL PELA UTILIZAÇÃO DESTE PRODUTO DE MODO QUE NÃO INFRINJA OS DIREITOS DE TERCEIROS, INCLUINDO, ENTRE OUTROS, OS DIREITOS DE PUBLICIDADE, DIREITOS DE PROPRIEDADE INTELECTUAL OU DE PROTEÇÃO DE DADOS, OU QUAISQUER OUTROS DIREITOS DE PRIVACIDADE. NÃO DEVE UTILIZAR ESTE PRODUTO PARA CAÇADAS DE ANIMAIS ILEGAIS, INVASÃO DE PRIVACIDADE OU QUALQUER OUTRA

FINALIDADE QUE SEJA ILEGAL OU CONTRÁRIA AO INTERESSE PÚBLICO. O UTILIZADOR NÃO PODERÁ UTILIZAR ESTE PRODUTO PARA QUAISQUER UTILIZAÇÕES FINAIS PROIBIDAS, INCLUINDO O DESENVOLVIMENTO OU PRODUÇÃO DE ARMAS DE DESTRUÇÃO MACIÇA, DESENVOLVIMENTO OU PRODUÇÃO DE QUÍMICOS OU ARMAS BIOLÓGICAS, QUAISQUER ATIVIDADES DESENVOLVIDAS NO ÂMBITO DE EXPLOSIVOS NUCLEARES OU CICLOS DE COMBUSTÍVEL NUCLEAR INSEGURO OU PARA APOIAR ABUSOS AOS DIREITOS HUMANOS. CUMPRE TODAS AS PROIBIÇÕES E ADVERTÊNCIAS EXCEPCIONAIS DE TODAS AS LEIS E REGULAMENTOS APLICÁVEIS, EM PARTICULAR, AS LEIS E REGULAMENTOS LOCAIS SOBRE ARMAS DE FOGO E/OU DE CAÇA. VERIFIQUE SEMPRE AS DISPOSIÇÕES E REGULAMENTOS NACIONAIS ANTES DE COMPRAR OU DE UTILIZAR ESTE PRODUTO. LEMBRE-SE QUE PODERÁ TER DE SOLICITAR AUTORIZAÇÕES, CERTIFICADOS E/OU LICENÇAS ANTES DE QUALQUER COMPRA, VENDA, COMERCIALIZAÇÃO E/OU UTILIZAÇÃO DO PRODUTO. A HIKMICRO NÃO SE RESPONSABILIZA POR QUALQUER COMPRA, VENDA, COMERCIALIZAÇÃO E UTILIZAÇÃO FINAL ILEGAL OU IMPRÓPRIA, BEM COMO POR QUAISQUER DANOS ESPECIAIS, CONSEQUENTES, ACIDENTAIS OU INDIRETOS DELAS DECORRENTES. NA EVENTUALIDADE DA OCORRÊNCIA DE ALGUM CONFLITO ENTRE ESTE MANUAL E A LEGISLAÇÃO APLICÁVEL, ESTA ÚLTIMA PREVALECE.

As presentes cláusulas aplicam-se apenas aos produtos que apresentam a marcação ou informação correspondentes.

#### Declaração de conformidade da UE



Este produto e - se aplicável - os acessórios fornecidos também têm a marcação "CE" e estão em conformidade com as normas europeias harmonizadas aplicáveis enumeradas na diretiva 2014/30/UE (CEM), na diretiva 2014/35/UE (LVD) e na diretiva 2011/65/UE (RSP).



Diretiva 2012/19/UE (diretiva REEE): Os produtos com este símbolo não podem ser eliminados como resíduos urbanos indiferenciados na União Europeia. Para uma reciclagem adequada, devolva este produto ao seu fornecedor local quando adquirir um novo equipamento equivalente ou elimine-o através dos pontos de recolha adequados. Para mais informações, consulte: [www.recyclethis.info](http://www.recyclethis.info).

#### Instruções de segurança

Estas instruções destinam-se a garantir que o utilizador possa utilizar o produto corretamente para evitar perigos ou perdas materiais.

#### Legislação e regulamentos

A utilização do produto deve estar em total conformidade com as normas locais de manuseamento de aparelhos elétricos.

#### Alimentação elétrica

- A tensão de entrada para o dispositivo deve cumprir a Fonte de potência limitada (5 V CC, 2 A), de acordo com a norma IEC61010-1. Consulte os produtos e as especificações reais para obter informação detalhada.

#### Transporte

- Mantenha o dispositivo na embalagem original ou similar, quando o transportar.
- Depois da abertura da embalagem do produto, guarde todos invólucros, para uso posterior. Em caso de qualquer avaria, deve devolver o dispositivo à fábrica com o invólucro original.
- O transporte sem o invólucro original pode resultar em danos no dispositivo, sendo que a empresa não assumirá quaisquer responsabilidades.

● Non lasciare il prodotto cadere, né sottoporlo a impatti fisici. Mantenere il dispositivo lontano da interferenze magnetiche.

#### Manutenção

- Se il prodotto non funziona correttamente, contattare il proprio fornitore o il proprio centro di assistenza più vicino. Non assumersi alcuna responsabilità per problemi causati da riparazioni o manutenzioni non autorizzate.
- Pulire il dispositivo delicatamente con un panno pulito e una piccola quantità di etanolo, se necessario.
- Se l'equipaggiamento è utilizzato in modo non specificato dal produttore, la protezione fornita dal dispositivo potrebbe essere compromessa.
- Pulire la lente con un panno morbido o un fazzoletto di carta per evitare graffi.

#### Ambiente da utilização

- Certificare che l'ambiente di funzionamento del dispositivo rispetti i requisiti dello stesso. La temperatura di funzionamento deve essere compresa tra -10 °C e 50 °C e l'umidità di esercizio deve essere superiore al 95% o inferiore, senza condensazione.
- Posizionare il dispositivo in un ambiente asciutto e ben ventilato.
- NON esporre il dispositivo a radiazioni elettromagnetiche elevate né in ambienti con polvere.
- NON puntare la lente verso il sole o verso qualsiasi altra luce brillante.
- Quando si utilizza qualsiasi equipaggiamento a laser, verificare che la lente del dispositivo non sia esposta al fascio di laser, in quanto ciò potrebbe causare ustioni.

#### Emergência

Caso il dispositivo emetta fumo, odori o rumori, spegnere l'alimentazione elettrica immediatamente, rimuovere il cavo di alimentazione dalla presa e contattare il centro di assistenza.

#### Endereço do fabricante

Sala 313, Unidade B, Edifício 2, Rua Danfeng 399, Subdistrito Xixing, Distrito Binjiang, Hangzhou, Zhejiang 310052, China  
Hangzhou Microimage Software Co., Ltd.

**AVISO DE CONFORMIDADE:** Os produtos da série térmica poderão estar sujeitos a controles de exportação em vários países ou regiões, incluindo sem limite, os Estados Unidos da América, a União Europeia, o Reino Unido e/ou outros países-membro do Acordo de Wassenaar. Consulte o seu especialista em legislação ou em conformidade ou as autoridades locais para saber os requisitos de licença de exportação necessários se pretender transferir, exportar, voltar a exportar os produtos da série térmica entre países diferentes.

**Italiano**

#### Informazioni legali

##### ESCLUSIONE DI RESPONSABILITÀ

NELLA MISURA MASSIMA CONSENTITA DALLA LEGGE VIGENTE, QUESTO MANUALE E IL PRODOTTO DESCRITTO, CON IL SUO HARDWARE, SOFTWARE E FIRMWARE, SONO FORNITI "COSÌ COME SONO" E "CON TUTTI I DIFETTI E GLI ERRORI". HIKMICRO NON RILASCI ALCUNA GARANZIA, NÉ ESPRESSA NÉ IMPLICITA COME, SOLO A TITOLO DI ESEMPIO, GARANZIE DI COMMERCIALIZZABILITÀ, QUALITÀ SODDISFACENTE O IDONEITÀ PER UN USO SPECIFICO. L'UTENTE UTILIZZA IL PRODOTTO A PROPRIO RISCHIO. HIKMICRO DECLINA QUALSIASI RESPONSABILITÀ VERSO L'UTENTE IN RELAZIONE A DANNI SPECIALI, CONSEGUENZIALI E INCIDENTALI, COMPRESI, TRA GLI ALTRI, I DANNI DERIVANTI DA MANCATO PROFITTO, INTERRUZIONE DELL'ATTIVITÀ O PERDITA DI DATI, DANNEGGIAMENTO DI SISTEMI O PERDITA DI DOCUMENTAZIONE, DERIVANTI DA INADEMPIENZA

CONTRATTUALE, ILLECITO (COMPRESA LA NEGLIGENZA), RESPONSABILITÀ PER DANNI AI PRODOTTI O ALTRIMENTI IN RELAZIONE ALL'USO DEL PRODOTTO, ANCHE QUALORA HIKMICRO SIA STATA INFORMATA DELLA POSSIBILITÀ DI TALI DANNI O PERDITE.


L'UTENTE RICONOSCE CHE LA NATURA DI INTERNET PREVEDE RISCHI DI SICUREZZA INTRINSECI E CHE HIKMICRO DECLINA QUALSIASI RESPONSABILITÀ IN RELAZIONE A FUNZIONAMENTI ANOMALI, VIOLAZIONE DELLA RISERVATEZZA O ALTRI DANNI RISULTANTI DA ATTACCHI INFORMATICI, INFEZIONE DA VIRUS O ALTRI RISCHI LEGATI ALLA SICUREZZA SU INTERNET; TUTTAVIA, HIKMICRO FORNIRÀ TEMPESTIVO SUPPORTO TECNICO, SE NECESSARIO.

L'UTENTE ACCETTA DI UTILIZZARE IL PRODOTTO IN CONFORMITÀ A TUTTE LE LEGGI VIGENTI E DI ESSERE IL SOLO RESPONSABILE DI TALE UTILIZZO CONFORME. IN PARTICOLARE, L'UTENTE È RESPONSABILE DEL FATTO CHE L'UTILIZZO DEL PRODOTTO NON VIOLI DIRITTI DI TERZI COME, SOLO A TITOLO DI ESEMPIO, DIRITTI DI PUBBLICITÀ, DIRITTI DI PROPRIETÀ INTELLETTUALE O DIRITTI RELATIVI ALLA PROTEZIONE DEI DATI E ALTRI DIRITTI RIGUARDANTI LA PRIVACY. NON UTILIZZARE QUESTO PRODOTTO PER CACCIA ILLEGALE, VIOLAZIONE DELLA PRIVACY O ALTRI SCOPI ILLECITI O CONTRARI ALL'INTERESSE PUBBLICO. NON È CONSENTITO UTILIZZARE QUESTO PRODOTTO PER SCOPI PROIBITI, COME, TRA GLI ALTRI, LA PRODUZIONE DI ARMI DI DISTRUZIONE DI MASSA, LO SVILUPPO O LA PRODUZIONE DI ARMI CHIMICHE O BIOLOGICHE, QUALSIASI ATTIVITÀ SVOLTA IN CONTESTI CORRELATI A ESPLOSIVI NUCLEARI O COMBUSTIBILI NUCLEARI NON SICURI O ATTIVITÀ CHE CAUSINO VIOLAZIONI DEI DIRITTI UMANI.

RISPETTARE TUTTI I DIVIETI E GLI AVVERTIMENTI DI TUTTE LE LEGGI E LE NORMATIVE APPLICABILI, CON PARTICOLARE ATTENZIONE ALLE LEGGI E ALLE NORMATIVE LOCALI SULLE ARMI DA FUOCO E SULLA CACCIA. VERIFICARE SEMPRE LE DISPOSIZIONI E I REGOLAMENTI NAZIONALI PRIMA DI ACQUISTARE O UTILIZZARE QUESTO PRODOTTO. POTREBBE ESSERE NECESSARIO RICHIEDERE PERMESSI, CERTIFICATI E/O LICENZE PER L'ACQUISTO, LA VENDITA, LA COMMERCIALIZZAZIONE E/O L'UTILIZZO DEL PRODOTTO. HIKMICRO NON È RESPONSABILE DI ALCUN TIPO DI ACQUISTO, VENDITA, COMMERCIALIZZAZIONE E UTILIZZO FINALE ILLEGALE O IMPROPRIO NÉ PER DANNI SPECIALI, CONSEGUENZIALI, INCIDENTALI O INDIRETTI DA ESSI DERIVANTI. IN CASO DI CONFLITTO TRA IL PRESENTE MANUALE E LA LEGGE VIGENTE, PREVARRÀ QUEST'ULTIMA.

**Queste clausole si applicano solo ai prodotti recanti il marchio o le informazioni corrispondenti.**

#### Dichiarazione di conformità UE

 Questo prodotto e gli eventuali accessori in dotazione sono contrassegnati con il marchio "CE", quindi sono conformi alle norme europee armonizzate vigenti di cui alle direttive 2014/30/UE (CEM), 2014/35/UE (direttiva Bassa Tensione) e 2011/65/UE (RoHS).

 Direttiva 2012/19/UE (RAEE): i prodotti contrassegnati con il presente simbolo non possono essere smaltiti come rifiuti domestici indifferenziati nell'Unione europea. Per lo smaltimento corretto, restituire il prodotto al rivenditore in occasione dell'acquisto di un nuovo dispositivo o smaltirlo nei punti di raccolta autorizzati. Ulteriori informazioni sono disponibili sul sito: [www.recyclethis.info](http://www.recyclethis.info).

#### Istruzioni per la sicurezza

Le presenti istruzioni hanno lo scopo di garantire che il prodotto venga utilizzato in modo corretto, evitando situazioni di pericolo o danni materiali.

### Leggi e regolamenti

Il prodotto deve essere utilizzato rispettando rigorosamente le norme locali in materia di sicurezza elettrica.

### Alimentazione

● La tensione di ingresso del dispositivo deve essere conforme alla norma IEC61010-1 sulle fonti di alimentazione limitate (5 VCC; 2 A). Per informazioni dettagliate, fare riferimento alle specifiche tecniche e al prodotto attuale.

### Trasporto

- Per trasportare il dispositivo, riporlo nella confezione originale o in una analoga.
- Dopo aver disimballato il prodotto, conservare tutto il materiale di imballaggio per riutilizzarlo in futuro. In caso di guasti, sarà necessario inviare il dispositivo al produttore nell'imballaggio originale.
- Il trasporto senza l'imballaggio originale può causare danni al dispositivo; in tal caso il produttore declina ogni responsabilità.
- Non lasciar cadere il prodotto e non sottoporlo a impatti. Tenere il dispositivo lontano dalle interferenze magnetiche.

### Manutenzione

- Se il prodotto non funziona correttamente, rivolgersi al rivenditore o al centro di assistenza più vicino. Decliniamo qualsiasi responsabilità in relazione a problemi causati da interventi di riparazione o manutenzione non autorizzati.
- Se necessario, pulire delicatamente il dispositivo con un panno pulito imbevuto di una piccola quantità di alcool etilico.
- Se il dispositivo viene utilizzato in un modo non approvato dal produttore la garanzia potrebbe essere annullata.
- Pulire l'obiettivo con un panno morbido e asciutto o con carta per ottiche, per evitare di graffiarlo.

### Ambiente di utilizzo

- Verificare che l'ambiente di utilizzo sia conforme ai requisiti del dispositivo. La temperatura operativa deve essere compresa tra -10 °C e 50 °C e l'umidità non deve superare il 95%, senza condensa.
- Collocare il dispositivo in un ambiente asciutto e ben ventilato.
- NON esporre il dispositivo a radiazioni elettromagnetiche intense o ad ambienti polverosi.
- NON orientare l'obiettivo verso il sole o altre luci intense.
- Quando si utilizzano apparecchiature laser, non esporre l'obiettivo del dispositivo al raggio laser, che potrebbe bruciarlo.

### Emergenza

Se il dispositivo emette fumo, odori o rumori, spegnerlo immediatamente e scollegare il cavo di alimentazione, quindi rivolgersi a un centro di assistenza.

### Indirizzo del produttore

Stanza 313, unità B, edificio 2, via Danfeng 399, subdistretto Xixing, distretto Binjiang, Hangzhou, Zhejiang, 310052, Cina  
Hangzhou Microimage Software Co., Ltd.

AVVISO SULLA CONFORMITÀ: i prodotti termografici potrebbero essere soggetti a controlli sulle esportazioni in vari Paesi o regioni, tra cui Stati Uniti, Unione europea, Regno Unito e/o altri Paesi membri dell'accordo di Wassenaar. Consultare un legale o un esperto di conformità o le autorità governative locali per eventuali requisiti di licenza di esportazione necessari se si intende trasferire, esportare, riesportare i prodotti termografici tra diversi Paesi.

### Právni informace

#### PROHLÁŠENÍ O VYLOUČENÍ ODPOVĚDNOSTI

TATO PŘÍRUČKA A POPISOVANÉ PRODUKTY VČETNĚ PŘÍSLUŠNÉHO HARDWARU, SOFTWARE A FIRMWARE JSOU V MAXIMÁLNÍM ROZSAHU PŘÍPUSTNĚM PODLE ZÁKONA POSKYTOVÁNY, „JAK STOJÍ A LEŽÍ“, A „SE VŠEMI VADAMI A CHYBAMI“. SPOLEČNOST HIKMICRO NEPOSKYTUJE ŽÁDNÉ VÝSLOVNĚ ANI PŘEDPOKLÁDANÉ ZÁRUKY ZARNUJÍCÍ MIMO JINÉ PRODEJNOST, USPOKOJIVOU KVALITU NEBO VHODNOST KE KONKRÉTNÍM ÚČELŮM. POUŽÍVÁNÍ TOHOTO PRODUKTU JE NA VAŠE VLASTNÍ RIZIKO. SPOLEČNOST HIKMICRO V ŽÁDNÉM PŘÍPADĚ NENESE ODPOVĚDNOST ZA JAKÉKOLI ZVLÁŠTNÍ, NÁSLEDNÉ, NÁHODNÉ NEBO NEPŘÍMÉ ŠKODY ZAHRNÚJÍCÍ MIMO JINÉ ŠKODY ZE ZTRÁTY OBCHODNÍHO ZISKU, PŘERUŠENÍ OBCHODNÍ ČINNOSTI NEBO ZTRÁTY DAT, POŠKOZENÍ SYSTÉMŮ NEBO ZTRÁTY DOKUMENTACE V SOUVISLOSTI S POUŽÍVÁNÍM TOHOTO VÝROBKU BEZ OHLEDU NA TO, ZDA TAKOVÉ ŠKODY VZNIKLY Z DŮVODU PORUŠENÍ SMLOUVY, OBČANSKOPRÁVNÍHO PŘEČINU (VČETNĚ NEDBALOSTI) ČI ODPOVĚDNOSTI ZA PRODUKT, A TO ANI V PŘÍPADĚ, ŽE SPOLEČNOST HIKMICRO BYLA NA MOŽNOST TAKOVÝCHTO ŠKOD NEBO ZTRÁTY UPOZORNĚNA. BERETE NA VĚDOMÍ, ŽE INTERNET SVOU PODSTATOU PŘEDSTAVUJE SKRYTÁ BEZPEČNOSTNÍ RIZIKA A SPOLEČNOST HIKMICRO PROTO NEPŘEBÍRÁ ŽÁDNOU ODPOVĚDNOST ZA NESTANDARDNÍ PROVOZNÍ CHOVÁNÍ, ÚNIK OSOBNÍCH ÚDAJŮ NEBO JINÉ ŠKODY VYPLYVAJÍCÍ Z KYBERNETICKÉHO ČI HACKERSKÉHO ÚTOKU, NAPADENÍ VÍREM NEBO ŠKODY ZPŮSOBENÉ JINÝMI INTERNETOVÝMI BEZPEČNOSTNÍMI RIZIKY; SPOLEČNOST HIKMICRO VŠAK V PŘÍPADĚ POTŘEBY POSKYTNE VČASNOU TECHNICKOU PODPORU. SOUHLASÍTE S TÍM, ŽE TENTO PRODUKT BUDE POUŽÍVÁN V SOULADU SE VŠEMI PLATNÝMI ZÁKONY A VÝHRADNĚ ODPOVÍDÁTE ZA ZAJIŠTĚNÍ, ŽE VAŠE UŽÍVÁNÍ BUDE V SOULADU S PLATNOU LEGISLATIVOU. ODPOVÍDÁTE ZEJMÉNA ZA POUŽÍVÁNÍ PRODUKTU ZPŮSOBEM, KTERÝ NEPORUŠUJE PRÁVA TŘETÍCH STRAN, COŽ ZAHRNÚJE MIMO JINÉ PRÁVO NA OCHRANU OSOBNOSTI, PRÁVO DUŠEVNÍHO VLASTNICTVÍ NEBO PRÁVO NA OCHRANU OSOBNÍCH ÚDAJŮ A DALŠÍ PRÁVA NA OCHRANU SOUKROMÍ. TENTO VÝROBEK NESMÍTE POUŽÍVAT K NEZÁKONNÉMU LOVU ZVÍŘAT, NARUŠENÍ SOUKROMÍ ANI K ŽÁDNÉMU JINÉMU ÚČELŮ, KTERÝ JE NEZÁKONNÝ NEBO POŠKOZUJE VEŘEJNÝ ZÁJEM. TENTO PRODUKT NESMÍTE POUŽÍVAT K JAKÝMKOLI NEDOVOLENÝM KONCOVÝM ÚČELŮM VČETNĚ VÝVOJE ČI VÝROBY ZBRANÍ HROMADNÉHO NIČENÍ, VÝVOJE NEBO VÝROBY CHEMICKÝCH ČI BIOLOGICKÝCH ZBRANÍ NEBO JAKÝCHKOLI ČINNOSTÍ SOUVISEJÍCÍCH S JADERNÝMI VÝBUŠNINAMI NEBO NEBEZPEČNÝM JADERNÝM PALIVOVÝM CYKLEM ČI K PODPOŘE PORUŠOVÁNÍ LIDSKÝCH PRÁV. DODRŽUJTE VŠECHNY ZÁKAZY A ZVLÁŠTNÍ UPOZORNĚNÍ PODLE VŠECH PLATNÝCH ZÁKONŮ A PŘEDPISŮ, ZEJMÉNA MÍSTNÍCH ZÁKONŮ A PŘEDPISŮ O STŘELNÝCH ZBRANÍCH A/NEBO MYSLIVOSTI. PŘED NÁKUPEM NEBO POUŽITÍM TOHOTO PRODUKTU SI VŽDY PROSTUDUJTE NÁRODNÍ PODMÍNKY A PŘEDPISY. UPOZORŇUJEME, ŽE PŘED NÁKUPEM, PRODEJEM, MARKETINGEM A/NEBO POUŽITÍM PRODUKTU MŮŽE BÝT NUTNÉ ZAŽÁDAT O POVOLENÍ, CERTIFIKÁTY A/NEBO LICENCE. SPOLEČNOST HIKMICRO NENESE ODPOVĚDNOST ZA ŽÁDNÝ TAKOVÝ NEZÁKONNÝ NEBO NEPATŘIČNÝ NÁKUP, PRODEJ, MARKETING A KONEČNÉ POUŽITÍ ANI ZA JAKÉKOLI ZVLÁŠTNÍ, NÁSLEDNÉ, NÁHODNÉ NEBO NEPŘÍMÉ ŠKODY, KTERÉ TAK MOHOU VZNIKOUT. V PŘÍPADĚ JAKÉHOKOLI ROZPORU MEZI TÍMTO NÁVODEM A PŘÍSLUŠNÝMI ZÁKONY PLATÍ DRUHÉ ZMÍNĚNÉ.

Tyto části se vztahují pouze k výrobkům nesoucím odpovídající označení nebo informaci.

## EU prohlášení o shodě



Tento výrobek a případně i dodané příslušenství mají označení „CE“, a tudíž splňují požadavky platných harmonizovaných evropských norem uvedených ve směrnici 2014/30/EU (EMCD), směrnici 2014/35/EU (LVD) a směrnici 2011/65/EU (RoHS).



Směrnice 2012/19/EU (směrnice WEEE): Výrobky označené tímto symbolem nelze v Evropské unii likvidovat společně s netříděným domovním odpadem. Při zakoupení nového ekvivalentního výrobku

tento výrobek řádně zrecykluje vrácením svému místnímu dodavateli, nebo jej zlikviduje odevzdáním v určených sběrných místech. Další informace naleznete na adrese: [www.recyclethis.info](http://www.recyclethis.info).

## Bezpečnostní pokyny

Účelem těchto pokynů je zajistit, aby uživatel mohl výrobek správně používat a zabránilo se nebezpečí nebo újmě na majetku.

## Zákony a předpisy

Používání výrobku musí být přísně v souladu s místními bezpečnostními předpisy pro elektrická zařízení.

## Napájení

● Vstupní napětí zařízení musí dle standardu IEC61010-1 splňovat požadavky na omezený zdroj napájení (5 V DC, 2 A). Podrobné informace viz skutečné výrobky a technické údaje.

## Přeprava

- Při přepravě uchovávejte zařízení v původním nebo jemu podobném balení.
- Po vybalení uchovávejte veškeré obaly pro budoucí použití. V případě jakékoli poruchy je třeba vrátit zařízení výrobci v původním obalu.
- Přeprava bez původního obalu může vést k poškození zařízení, za které společnost neponese odpovědnost.
- Produkt nevystavujte fyzickým nárazům a zabraňte jeho spadnutí. Udržujte zařízení mimo dosah magnetického rušení.

## Údržba

- V případě, že výrobek nefunguje správně, obraťte se na prodejce nebo na nejbližší servisní středisko. Nepřebíráme žádnou odpovědnost za problémy způsobené neoprávněnou opravou nebo údržbou.
- V případě potřeby zařízení jemně otřete čistým hadříkem navlhčeným malým množstvím etanolu.
- V případě použití zařízení způsobem jiným než určeným výrobcem může dojít ke zrušení platnosti záruky.
- Čočky čistěte měkkým suchým hadříkem nebo čistícím papírkem, abyste je nepoškrábali.

## Provozní prostředí

- Zajistěte, aby provozní prostředí vyhovovalo požadavkům zařízení. Provozní teplota musí být  $-10\text{ }^{\circ}\text{C}$  až  $50\text{ }^{\circ}\text{C}$  a provozní vlhkost musí být max. 95 % bez kondenzace.
- Umístěte zařízení na suché a dobře větrané místo.
- NEVYSTAVUJTE zařízení silnému elektromagnetickému záření ani prašnému prostředí.
- NEMÍŘTE objektivem do slunce ani do jiného zdroje jasného světla.
- Používá-li se nějaké laserové zařízení, zajistěte, aby nebyl objektiv zařízení vystaven laserovému paprsku. V opačném případě by se mohl vypálit.

## Stav nouze

Pokud ze zařízení vychází kouř, zápach nebo hluk, zařízení okamžitě vypněte, odpojte napájecí kabel a obraťte se na servisní středisko.

## Adresa výrobce

Místnost 313, jednotka B, budova 2, ulice Danfeng 399, podobvod Xixing, obvod Binjiang, Hangzhou, Zhejiang 310052, Čína  
Hangzhou Microimage Software Co., Ltd.

POZNÁMKA O DODRŽOVÁNÍ PŘEDPISŮ: Na výrobky termální řady se mohou vztahovat vývozní opatření v různých zemích nebo regionech včetně, mimo jiné, Spojených států, Evropské unie, Spojeného království a dalších členských států Wassenaarského ujednání. Máte-li v úmyslu přenášet, exportovat nebo opětovně exportovat výrobky termální řady mezi různými zeměmi, obraťte se na profesionálního právníka, odborníka v oblasti dodržování předpisů nebo místní úřady, aby vám sdělili všechny nezbytné licenční požadavky pro export.

## Slovenčina

### Právne informácie

#### PRÁVNE VYHLÁSENIE O VYLÚČENÍ ZODPOVEDNOSTI

V MAXIMÁLNO M OŽNOM ROZSAHU, KTORÝ POVOĽUJÚ PRÍSLUŠNÉ PRÁVNE PREDPISY, SA TÁTO PRÍRUČKA A OPÍSANÝ PRODUKT SPOLU S JEHO HARDVÉROM, SOFTVÉROM A FIRMVÉROM, DODÁVAJÚ V STAVE „AKO SÚ“ A „SO VŠETKÝMI PORUCHAMI A CHYBAMI“. SPOLOČNOSŤ HIKMICRO NEPOSKYTUJE ŽIADNE VÝSLOVNÉ ANI PREDPOKLADANÉ ZÁRUKY, OKREM INÉHO O PREDAJNOSTI, USPOKOJIVEJ KVALITE ALEBO VHODNOSTI NA KONKRÉTNY ÚČEL. POUŽÍVANIE PRODUKTU JE NA VAŠE VLASTNÉ RIZIKO. SPOLOČNOSŤ HIKMICRO V ŽIADNOM PRÍPADE NENESIE ZODPOVEDNOSŤ ZA ŽIADNE OSOBNÉ, NÁSLEDNÉ, NÁHODNÉ ALEBO NEPRIAME ŠKODY, OKREM INÉHO VRÁTANE ŠKÔD Z UŠLÉHO PODNIKATEĽSKÉHO ZISKU, PRERUŠENIA PODNIKANIA, STRATY ÚDAJOV, POŠKODENIA SYSTÉMOV ALEBO STRATY DOKUMENTÁCIE, ČI UŽ NA ZÁKLADE PORUŠENIA ZMLUVY, PREČINU (VRÁTANE NEDBALOSTI), ZODPOVEDNOSTI ZA PRODUKT ALEBO INAK V SÚVISLOSTI S POUŽÍVANÍM PRODUKTU, A TO ANI V PRÍPADE, AK BOLA SPOLOČNOSŤ HIKMICRO UPOZORNENÁ NA MOŽNOSŤ TAKÝCHTO ŠKÔD. UZNÁVATE, ŽE Z POVAHY INTERNETU VYPLÝVAJÚ INHERENTNÉ BEZPEČNOSTNÉ RIZIKÁ A SPOLOČNOSŤ HIKMICRO NENESIE ŽIADNU ZODPOVEDNOSŤ ZA NEŠTANDARDNÚ PREVÁDZKU, ÚNIK OSOBNÝCH ÚDAJOV ANI ZA INÉ ŠKODY V DÔSLEDKU KYBERNETICKÉHO ÚTOKU, HAKERSKÉHO ÚTOKU, VÍRUSOVEJ INFEKČIE ALEBO INÝCH BEZPEČNOSTNÝCH RIZÍK SIETE INTERNET; V PRÍPADE POTREBY VŠAK SPOLOČNOSŤ HIKMICRO POSKYTNE VČASNÚ TECHNICKÚ PODPORU.

SÚHLASÍTE S POUŽÍVANÍM TOHTO PRODUKTU V SÚLADE SO VŠETKÝMI PRÍSLUŠNÝMI ZÁKONMI A NESIETE VÝHRADNÚ ZODPOVEDNOSŤ ZA ZABEZPEČENIE, ABY VAŠE POUŽÍVANIE BOLO V SÚLADE S PRÍSLUŠNÝMI ZÁKONMI. STE OBZVLÁŠŤ ZODPOVEDNÍ ZA POUŽÍVANIE TOHTO PRODUKTU SPÔSOBOM, KTORÝ NEPORUŠUJE PRÁVA TRETÍCH STRÁN, OKREM INÉHO PRÁVA PUBLICITY, PRÁVA DUŠEVNÉHO VLASTNÍCTVA, PRÁVA NA OCHRANU ÚDAJOV A INÉ PRÁVA NA OCHRANU SÚKROMIA. TENTO PRODUKT NESMIETE POUŽÍVAŤ NA NEZÁKONNÝ LOV ZVIERAT, NARUŠOVANIE SÚKROMIA INÝCH, ANI NA ŽIADNY INÝ ÚČEL, KTORÝ JE NEZÁKONNÝ ALEBO POŠKODUJE VEREJNÝ ZÁUJEM. TENTO PRODUKT NESMIETE POUŽÍVAŤ NA ŽIADNE ZAKÁZANÉ ÚČELY VRÁTANE VÝVOJA ALEBO VÝROBY ZBRANÍ HROMADNÉHO NIČENIA, VÝVOJA ALEBO VÝROBY CHEMICKÝCH ALEBO BIOLOGICKÝCH ZBRANÍ, AKÝCHKOL'VEK AKTIVÍT V SÚVISLOSTI S AKOUKOL'VEK JADROVOU VÝBUŠNINOU ALEBO NEBEZPEČNÝM CYKĽOM JADROVÉHO PALIVA, ALEBO NA PODPORU ZNEUŽÍVANIA ĽUDSKÝCH PRÁV. DODRŽIAVAJTE VŠETKY ZÁKAZY A VÝNIMOČNÉ UPOZORNENIA VŠETKÝCH PLATNÝCH ZÁKONOV A PREDPISOV, NAJMÁ MIESTNYCH ZÁKONOV A

PREDPISOV O STRELNÝCH ZBRANIACH A/ALEBO POĽOVNÍCTVE. PRED ZAKÚPENÍM ALEBO POUŽITÍM TOHTO VÝROBKU SI VŽDY POZRITE ŠTÁTNE USTANOVENIA A PREDPISY. UPOZORŇUJEME, ŽE PRED AKÝMKOĽVEK NÁKUPOM, PREDAJOM, MARKETINGOM A/ALEBO POUŽITÍM TOHTO VÝROBKU MOŽNO BUDETE MUSIEŤ POŽIADAŤ O POVOLENIÁ, CERTIFIKÁTY A/ALEBO LICENCIE. SPOLOČNOSŤ HIKMICRO NENESIE ZODPOVEDNOSŤ ZA ŽIADNE TAKÉTO NEZÁKONNÉ ALEBO NEVHODNÉ NÁKUPY, PREDAJ, MARKETING A KONEČNÉ POUŽITIE A ŽIADNE OSOBITNÉ, NÁSLEDNÉ, NÁHODNÉ ALEBO NEPRIAME ŠKODY, KTORÉ Z NICH VYPLYVAJÚ.

V PRÍPADO AKÉHOKOĽVEK NESÚLADU MEDZI TOUTO PRÍRUČKOU A PRÍSLUŠNÝMI PRÁVNÝMI PREDPISMI MAJÚ PREDNOSŤ PRÍSLUŠNÉ PRÁVNE PREDPISY.

**Tieto ustanovenia platia len pre produkty s príslušným označením alebo údajom.**

### Vyhlásenie o súlade s predpismi EÚ



Tento produkt a dodané príslušenstvo, ak je to relevantné, sú takisto označené značkou „CE“, takže sú v súlade s príslušnými harmonizovanými európskymi normami uvedenými v smernici 2014/30/EÚ (EMCD), smernici 2014/35/EÚ (LVD), smernici 2011/65/EÚ (RoHS).



Smernica 2012/19/EÚ (smernica o odpade z elektrických a elektronických zariadení): Produkty označené týmto symbolom sa v rámci Európskej únie nesmú likvidovať spolu s netriedeným komunálnym odpadom. Po zakúpení ekvivalentného nového zariadenia zrecyklujte produkt tým, že ho odovzdáte miestnemu dodávateľovi alebo ho zlikvidujete na určených zberných miestach. Ďalšie informácie nájdete na lokalite: [www.recyclethis.info](http://www.recyclethis.info).

### Bezpečnostné pokyny

Tieto pokyny slúžia na zabezpečenie správneho používania produktu používateľom s cieľom predchádzať vzniku nebezpečenstva alebo majetkovým stratám.

### Právne predpisy a nariadenia

Používanie produktu musí byť v prísnom súlade s miestnymi elektroinštaláčnymi bezpečnostnými predpismi.

### Zdroj napájania

● Vstupné napätie zariadenia by malo spĺňať podmienky veľmi nízkeho napätia (5 V jednosmerný prúd, 2 A) podľa normy IEC61010-1. Podrobné informácie nájdete v príslušných údajoch o produkte a technických špecifikáciách.

### Preprava

- Pri preprave ponechajte zariadenie v pôvodnom alebo podobnom balení.
- Po rozbalení si všetky obaly odložte na budúce použitie. V prípade výskytu poruchy bude potrebné, aby ste zariadenie vrátili do výrobcovi v pôvodnom obale.
- Pri preprave bez pôvodného obalu môže dôjsť k poškodeniu zariadenia a spoločnosť za to nebude niesť žiadnu zodpovednosť.
- Chráňte zariadenie pred pádom alebo nárazom. Zariadenie chráňte pred magnetickým rušením.

### Údržba

- Ak produkt nepracuje správne, obráťte sa na predajcu alebo na najbližšie servisné stredisko. Nepreberáme žiadnu zodpovednosť za problémy spôsobené neoprávnenou opravou alebo údržbou.
- V prípade potreby zariadenie jemne utrite čistou handričkou a malým množstvom etanolu.
- Ak sa zariadenie používa spôsobom, ktorý výrobca neuvádza, môže dôjsť k zníženiu ochrany poskytovanej zariadením.

- Objektív čistite mäkkou a suchou tkaninou alebo papierovým obrúskom, aby sa nepoškriabal.

### Prevádzkové prostredie

- Zabezpečte, aby prevádzkové prostredie spĺňalo požiadavky zariadenia. Prevádzková teplota musí byť -10 °C až 50 °C (14 °F až 122 °F) a prevádzková vlhkosť nesmie byť vyššia ako 95 % bez kondenzácie.
- Zariadenie umiestnite v suchom a dobre vetranom prostredí.
- Zariadenie NEVYSTAVUJTE silnému elektromagnetickému žiareniu ani prašnému prostrediu.
- Sošovkou NEMIERTE na slnko ani na žiadny iný silný zdroj svetla.
- Pri používaní akéhokoľvek laserového vybavenia zabezpečte, aby objektív zariadenia nebol vystavený laserovému lúču, inak sa môže vypáliť.

### Núdzový režim

Ak zo zariadenia vychádza dym, zápach alebo hluk, ihneď vypnite napájanie, odpojte napájací kábel a obráťte sa na servisné stredisko.

### Adresa výrobcu

Miestnosť 313, Krídlo B, Budova 2, Ulica Danfeng 399, Obvod Xixing, Okres Binjiang, Hangzhou, Zhejiang 310052, Čína  
Hangzhou Microimage Software Co., Ltd.

POZNÁMKA O SÚLADE S PREDPISMI: Produkty z radu teplocitlivých prístrojov môžu podliehať exportnej regulácii v rôznych krajinách alebo regiónoch vrátane napríklad Spojených štátov amerických, Európskej únie, Spojeného kráľovstva prípadne aj krajín Wassaenaarskeho usporiadania. Ak máte v úmysle prenášať, exportovať alebo re-exportovať produkty z radu teplocitlivých prístrojov cez hranice medzi rôznymi krajinami, poraďte sa so svojim odborným expertom na legislatívu alebo súlad s predpismi alebo miestnymi úradmi verejnej správy, či existuje povinnosť mať exportné povolenie.

**Polski**

### Informacje prawne

#### ZASTRZEŻENIA PRAWNE

W PEŁNYM ZAKRESIE DOZWOLONYM PRZEZ OBOWIĄZUJĄCE PRAWO TEN PODRĘCZNIK, OPISANY PRODUKT I ZWIĄZANE Z NIM WYPOSAŻENIE ORAZ OPROGRAMOWANIE APLIKACYJNE I UKŁADOWE SĄ UDOSTĘPNIANE NA ZASADACH „AS IS” BEZ GWARANCJI BRAKU USTEREK I BŁĘDÓW („WITH ALL FAULTS AND ERRORS”). FIRMA HIKMICRO NIE UDZIELA ŻADNYCH WYRAŹNYCH ANI DOROZUMIANYCH GWARANCJI, TAKICH JAK GWARANCJE DOTYCZĄCE PRZYDATNOŚCI HANDLOWEJ, JAKOŚCI LUB PRZYDATNOŚCI DO OKREŚLONEGO CELU. UŻYTKOWNIK KORZYSTA Z PRODUKTU NA WŁASNE RYZYKO. NIEZALEŻNIE OD OKOLICZNOŚCI FIRMA HIKMICRO NIE PONOSI ODPOWIEDZIALNOŚCI ZA STRATY SPECJALNE, NASTĘPCZE, UBOCZNE LUB POŚREDNIE, TAKIE JAK STRATA OCZEKIWANYCH ZYSKÓW Z DZIAŁALNOŚCI BIZNESOWEJ, PRZERWY W DZIAŁALNOŚCI BIZNESOWEJ, USZKODZENIE SYSTEMÓW ALBO STRATA DANYCH LUB DOKUMENTACJI, WYNIKAJĄCE Z NARUSZENIA UMOWY, PRZEWINIENIA (ŁĄCZNIE Z ZANIEDBANIEM), ODPOWIEDZIALNOŚCI ZA PRODUKT LUB INNYCH OKOLICZNOŚCI, ZWIĄZANE Z UŻYCIEM TEGO PRODUKTU, NAWET JEŻELI FIRMA HIKMICRO ZOSTAŁA POINFORMOWANA O MOŻLIWOŚCI WYSTĄPIENIA TAKICH SZKÓD LUB STRAT. UŻYTKOWNIK PRZYJMUJE DO WIADOMOŚCI, ŻE KORZYSTANIE Z INTERNETU JEST ZWIĄZANE Z ZAGROŻENIAMI DLA BEZPIECZEŃSTWA, A FIRMA HIKMICRO NIE PONOSI ODPOWIEDZIALNOŚCI ZA NIEPRAWIDŁOWE FUNKCJONOWANIE, WYCIEK POUFNYCH INFORMACJI LUB INNE SZKODY WYNIKAJĄCE Z ATAKU CYBERNETYCZNEGO, ATAKU

HAKERA, DZIAŁANIA WIRUSÓW LUB INNYCH ZAGROZEŃ DLA BEZPIECZEŃSTWA W INTERNECIE. FIRMA HIKMICRO ZAPEWNI JEDNAK POMOC TECHNICZNĄ W ODPOWIEDNIM CZASIE, JEŻELI BĘDZIE TO WYMAGANE.

UŻYTKOWNIK ZOBOWIĄDUJE SIĘ DO KORZYSTANIA Z PRODUKTU ZGODNIE Z PRZEPISAMI I PRZYJMUJE DO WIADOMOŚCI, ŻE JEST ZOBOWIĄZANY DO ZAPEWNIENIA ZGODNOŚCI UŻYCIA PRODUKTU Z PRZEPISAMI. W SZCZEGÓLNOŚCI UŻYTKOWNIK JEST ZOBOWIĄZANY DO KORZYSTANIA Z PRODUKTU W SPOSÓB, KTÓRY NIE NARUSZA PRAW STRON TRZECICH, DOTYCZĄCYCH NA PRZYKŁAD WIZERUNKU KOMERCYJNEGO, WŁASNOŚCI INTELEKTUALNEJ LUB OCHRONY DANYCH I PRYWATNOŚCI. ZABRONIONE JEST UŻYCIĘ TEGO PRODUKTU DO NIELEGALNEGO POŁOWANIA NA ZWIERZĘTA, W SPOSÓB NARUSZAJĄCY PRYWATNOŚĆ OSÓB ALBO DO INNYCH CEŁÓW UZNANAWYCH ZA NIELEGALNE LUB SZKODLIWE DLA LUDZI. UŻYTKOWNIK NIE BĘDZIE UŻYWAĆ PRODUKTU DO CEŁÓW ZABRONIONYCH, TAKICH JAK OPRACOWANIE LUB PRODUKCJA BRONI MASOWEGO RAŻENIA ALBO BRONI CHEMICZNEJ LUB BIOLOGICZNEJ ORAZ DZIAŁANIA ZWIĄZANE Z WYBUCHOWYMI MATERIAŁAMI NUKLEARNYMI, NIEBEZPIECZNYM CYKLEM PALIWOWYM LUB ŁAMANIEM PRAW CZŁOWIEKA. NALEŻY PRZESTRZEGAĆ OBOWIĄZUJĄCYCH PRZEPISÓW I ROZPORZĄDZEŃ, A ZWŁASZCZA LOKALNYCH PRZEPISÓW I ROZPORZĄDZEŃ DOTYCZĄCYCH BRONI PALNEJ I/LUB MYŚLISTWA. PRZED ZAKUPEM LUB UŻYCIEM TEGO PRODUKTU NALEŻY ROZWAŻYĆ KRAJOWE PRZEPISY I ROZPORZĄDZENIA. PRZED ZAKUPEM, SPRZEDAŻĄ, MARKETINGIEM I/LUB UŻYCIEM TEGO PRODUKTU KONIECZNE MOŻE BYĆ UZYSKANIE ODPOWIEDNIH ZEZWOLEŃ, CERTYFIKATÓW I/LUB LICENCJI. FIRMA HIKMICRO NIE PONOSI ODPOWIEDZIALNOŚCI ZA NIELEGALNY LUB NIEWŁAŚCIWY ZAKUP, SPRZEDAŻ, MARKETING I UŻYCIĘ TEGO PRODUKTU ORAZ WYNIKAJĄCE Z TYCH DZIAŁAŃ SPECJALNE, NASTĘPCZE, UBOCZNE LUB POŚREDNIE SZKODY W TAKICH OKOLICZNOŚCIACH. W PRZYPADKU NIEZGODNOŚCI NINIEJSZEGO PODRĘCZNIKA Z OBOWIĄZUJĄCYM PRAWEM, WYŻSZY PRIORYTET BĘDZIE MIAŁO OBOWIĄZUJĄCE PRAWO.

**Te klauzule dotyczą tylko produktów z odpowiednimi oznaczeniami lub etykietami.**

#### Deklaracja zgodności z dyrektywami Unii Europejskiej



Produkt i ewentualnie dostarczone razem z nim akcesoria oznaczono symbolem „CE” potwierdzającym zgodność z odpowiednimi ujednoliconymi normami europejskimi, uwzględnionymi w dyrektywie 2014/30/UE dotyczącej kompatybilności elektromagnetycznej (EMCD), dyrektywie niskonapięciowej (LVD) 2014/35/UE oraz dyrektywie 2011/65/UE w sprawie ograniczenia stosowania niektórych niebezpiecznych substancji w sprzęcie elektrycznym (RoHS).



Dyrektywa 2012/19/UE w sprawie zużytego sprzętu elektrycznego i elektronicznego (WEEE):

Produktów oznaczonych tym symbolem nie wolno utylizować na obszarze Unii

Europejskiej jako niesegregowane odpady komunalne. Aby zapewnić prawidłowy recykling tego produktu, należy zwrócić go do lokalnego dostawcy przy zakupie równoważnego nowego urządzenia lub utylizować go w wyznaczonym punkcie selektywnej zbiórki odpadów. Aby uzyskać więcej informacji, skorzystaj z witryny internetowej [www.recyclethis.info](http://www.recyclethis.info).

#### Zalecenia dotyczące bezpieczeństwa

Te zalecenia umożliwiają prawidłowe korzystanie z produktu i zapobieganie zagrożeniu użytkowników lub zniszczeniu wyposażenia.

#### Przepisy i rozporządzenia

Produkt powinien być użytkowany zgodnie z lokalnymi rozporządzeniami dotyczącymi bezpiecznego korzystania z urządzeń elektrycznych.

#### Zasilanie

● Napięcie wejściowe dla urządzenia powinno spełniać wymagania dotyczące źródeł zasilania z własnym ograniczeniem (LPS; 5 V DC / 2 A) zgodnie z normą IEC61010-1. Aby uzyskać więcej informacji, skorzystaj z dokumentacji produktów i specyfikacji technicznych.

#### Transport

- Podczas transportu urządzenie powinno być umieszczone w oryginalnym lub podobnym opakowaniu.
- Należy zachować opakowanie urządzenia. W przypadku wystąpienia usterki urządzenia należy zwrócić je do zakładu produkcyjnego w oryginalnym opakowaniu.
- Producent nie ponosi odpowiedzialności za uszkodzenie urządzenia na skutek transportu bez oryginalnego opakowania.
- Należy chronić urządzenie przed upadkiem lub uderzeniami mechanicznymi. Należy chronić urządzenie przed zakłóceniami magnetycznymi.

#### Konserwacja

- Jeżeli produkt nie działa prawidłowo, skontaktuj się z dystrybutorem lub najbliższym centrum serwisowym. Producent nie ponosi odpowiedzialności za problemy spowodowane przez nieautoryzowane prace naprawcze lub konserwacyjne.
- Należy przetrzeć urządzenie ostrożnie czystą ściereczką zwilżoną niewielką ilością etanolu, jeżeli jest to konieczne.
- Użycie urządzenia niezgodnie z zaleceniami może spowodować anulowanie gwarancji producenta.
- Należy oczyścić obiektyw miękką, suchą ściereczką lub specjalnym papierem, który nie powoduje zarysowania.

#### Warunki otoczenia

- Należy upewnić się, że warunki otoczenia spełniają wymagania określone przez producenta urządzenia. Podczas użytkowania urządzenia temperatura otoczenia powinna wynosić od  $-10^{\circ}\text{C}$  do  $+50^{\circ}\text{C}$ , a wilgotność nie powinna przekraczać 95% (bez kondensacji).
- Urządzenie należy umieścić w suchym i odpowiednio wentylowanym miejscu.
- Należy chronić urządzenie przed silnym promieniowaniem elektromagnetycznym oraz kurzem i pyłem.
- NIE wolno kierować obiektywem w stronę słońca lub innego źródła intensywnego światła.
- Jeżeli używane jest wyposażenie laserowe, należy upewnić się, że obiektyw urządzenia nie jest oświetlany przez wiązkę lasera, ponieważ może to spowodować jego spalanie.

#### Poważne awarie

Jeżeli urządzenie wydziela dym lub intensywny zapach albo emituje hałas, należy niezwłocznie wyłączyć zasilanie i odłączyć przewód zasilający, a następnie skontaktować się z centrum serwisowym.

#### Adres producenta

Lokal 313, Jednostka B, Budynek 2, Ulica 399 Danfeng Road, Region dystryktu Xixing, Dystrykt Binjiang, Hangzhou, Zhejiang 310052, Chiny  
Hangzhou Microimage Software Co., Ltd.

UWAGA DOTYCZĄCA ZGODNOŚCI Z PRZEPISAMI: Produkty termowizyjne mogą podlegać kontroli eksportu w różnych krajach lub regionach, takich jak Stany Zjednoczone, Wielka Brytania lub kraje członkowskie Unii Europejskiej, które sygnowały



porozumienie Wassenar. Jeżeli planowane jest przesyłanie, eksportowanie lub reeksportowanie produktów termowizyjnych przez granice państw, należy skonsultować się z ekspertem w dziedzinie prawa lub zgodności z przepisami albo lokalnymi urzędami administracji państwowej, aby uzyskać informacje dotyczące wymaganej licencji eksportowej.

**Magyar**

## Jogi információk

### JOGI NYILATKOZAT

EZT A KÉZIKÖNYVET, VALAMINT A BENNE SZEREPLŐ TERMÉKET ANNAK HARDVER-, SZOFTVER-ÖSSZETEVŐIVEL ÉS FIRMWARE-ÉVEL EGYÜTT „EREDETI FORMÁBAN” BIZTOSÍTJUK, „BELEÉRTVE AZOK ÖSSZES ESETLEGES HIBÁJÁT”. A HIKMICRO NEM VÁLLAL SEM KIFEJEZETT, SEM TÖRVÉNY ÁLTAL VÉLELMEZETT JÓTÁLLÁST TÖBBEK KÖZÖTT – DE NEM KORLÁTOZVA – A TERMÉK ÉRTÉKESÍTHETŐSÉGÉRE, MEGFELELŐ MINŐSÉGÉRE, VALAMINT ADOTT CÉLRA VALÓ ALKALMASSÁGÁRA. A TERMÉKET KIZÁRÓLAG SAJÁT FELELŐSSÉGÉRE HASZNÁLHATJA. A HIKMICRO SEMMILYEN ESETBEN SEM VÁLLAL FELELŐSÉGET ÖN FELÉ SEMMILYEN KÜLÖNLEGES, KÖVETKEZMÉNYES, JÁRULÉKOS VAGY KÖZVETETT KÁRÉRT, BELEÉRTVE TÖBBEK KÖZÖTT A TERMÉK HASZNÁLATÁVAL ÖSSZEFÜGGÉSBEN AZ ÜZLETI HASZON ELVESZTÉSÉBŐL, AZ ÜZLETMENET MEGSZAKADÁSÁBÓL, VALAMINT AZ ADATOK VAGY DOKUMENTUMOK ELVESZTÉSÉBŐL EREDŐ KÁROKAT, TÖRTÉNJEN EZ SZERZŐDÉSSZEGÉS VAGY KÁROKOZÁS (BELEÉRTVE A GONDATLANSÁGOT) EREDMÉNYEKÉNT, MÉG AKKOR SEM, HA A HIKMICRO VÁLLALATOT TÁJÉKOZTATTÁK AZ ILYEN KÁROK BEKÖVETKEZÉSÉNEK LEHETŐSÉGÉRŐL.

ÖN TUDOMÁSUL VESZI, HOGY AZ INTERNET TERMÉSZETÉBŐL FAKADÓAN KOCKÁZATOKAT REJT, ÉS A HIKMICRO SEMMILYEN FELELŐSÉGET NEM VÁLLAL A RENDELLENES MŰKÖDÉSÉRT, A SZEMÉLYES ADATOK KISZIVÁRGÁSÁÉRT VAGY MÁS OLYAN KÁROKÉRT, AMELYEKET KIBERTÁMADÁSOK, HACKERTÁMADÁSOK, VÍRUSFERTŐZÉSEK VAGY MÁS INTERNETES BIZTONSÁGI VESZÉLYEK OKOZTA; A HIKMICRO AZONBAN KÉRÉSRE IDŐBEN MŰSZAKI TÁMOGATÁST NYÚJT.

ÖN ELFOGADJA, HOGY EZT A TERMÉKET KIZÁRÓLAG A VONATKOZÓ TÖRVÉNYI ELŐÍRÁSOK BETARTÁSÁVAL HASZNÁLJA, ÉS HOGY A VONATKOZÓ TÖRVÉNYEKNEK MEGFELELŐ HASZNÁLAT KIZÁRÓLAG AZ ÖN FELELŐSÉGE. KÜLÖNÖSKÉPPEN AZ ÖN FELELŐSÉGE, HOGY A TERMÉK HASZNÁLATA SORÁN NE SÉRTSE HARMADIK FÉL JOGAIT, BELEÉRTVE, DE NEM KORLÁTOZVA A NYILVÁNOSSÁGRA, SZELLEMI TULAJDONRA, ADATOK VÉDELMERE ÉS EGYÉB SZEMÉLYES ADATOKRA VONATKOZÓ JOGOKAT. TILOS A TERMÉKET ILLEGÁLIS VADÁSZATRA, MAGÁNÉLET MEGSÉRTÉSÉRE VAGY BÁRMILYEN MÁS, TÖRVÉNYTELEN VAGY A KÖZÉRDEKET SÉRTŐ CÉLRA HASZNÁLNI. A TERMÉKET NEM HASZNÁLHATJA TILTOTT CÉLRA, BELEÉRTVE A TÖMEGPUSZTÍTÓ FEGYVEREK FEJLESZTÉSÉT VAGY GYÁRTÁSÁT, A VEGYI VAGY BIOLÓGIAI FEGYVEREK FEJLESZTÉSÉT VAGY GYÁRTÁSÁT, VALAMINT BÁRMILYEN, ROBBANÁSVESZÉLYES VAGY NEM BIZTONSÁGOS NUKLEÁRIS HASADÓANYAG-CIKLUSSAL KAPCSOLATOS TEVÉKENYSÉGET, ILLETVE EMBERI JOGI VISSZAÉLÉSEKET TÁMOGATÓ MÓDON TÖRTÉNŐ FELHASZNÁLÁST.

FELTARTSA BE A HATÁLYOS TÖRVÉNYEK ÉS RENDELETEK TILTÁSAIT ÉS RENDELKEZÉSEIT, KÜLÖNÖS TEKINTETTEL A TŰZFEGYVEREKRE ÉS A VADÁSZATRA VONATKOZÓ HELYI TÖRVÉNYEKRE ÉS RENDELETEKRE. A TERMÉK MEGVÁSÁRLÁSA ÉS HASZNÁLATA ELŐTT MINDIG ISMERJE MEG A NEMZETI RENDELETEKET ÉS SZABÁLYOKAT. NE FELEDTSE, HOGY A TERMÉK MEGVÁSÁRLÁSHOZ, ELADÁSÁHOZ, REKLÁMOZÁSÁHOZ ÉS/VAGY HASZNÁLATÁHOZ KÜLÖNFÉLE ENGEDÉLYEKRE ÉS BIZONYÍTVÁNYOKRA LEHET SZÜKSÉGE. A HIKMICRO

NEM VÁLLAL FELELŐSÉGET AZ ILLEGÁLIS VAGY HELYTELEN VÁSÁRLÁSÉRT, ELADÁSÉRT, REKLÁMOZÁSÉRT ÉS VÉGFELHASZNÁLÁSÉRT, VALAMINT AZ EZEKBŐL EREDŐ SPECIÁLIS, KÖVETKEZMÉNYES, ESETLEGES VAGY KÖZVETETT KÁROKÉRT.

HA A JELEN KÉZIKÖNYV ÉS A HATÁLYOS TÖRVÉNY KÖZÖTT ELLENTMONDÁS TAPASZTALHATÓ, AKKOR AZ UTÓBBI A MÉRVADÓ.

**Ezek a cikkelyek kizárólag a megfelelő jelt vagy információt viselő termékekre vonatkoznak.**

### EU megfelelőségi nyilatkozat



Ez a termék és a mellékelt tartozékai (ha vannak) a „CE” jelzést viselik, így megfelelnek a 2014/30/EU elektromágneses összeférhetőségről szóló (EMCD) irányelvben, a 2014/35/EU kiefeszültségű berendezésekről szóló (LVD) irányelvben és a 2011/65/EU (RoHS) irányelvben felsorolt alkalmazandó harmonizált európai szabványok követelményeinek.



2012/19/EU irányelv (WEEE irányelv): Az ezzel a jelzéssel ellátott termékeket nem lehet szelektálatlan kommunális hulladékként kiselejtezni az Európai Unióban. A megfelelő újrahasznosítás érdekében vigye vissza ezt a terméket helyi forgalmazóhoz, amikor új, egyenértékű berendezést vásárol, vagy adja le a kijelölt gyűjtőhelyeken. További információért keresse fel az alábbi weboldalt: [www.recyclethis.info](http://www.recyclethis.info).

### Biztonsági utasítások

Ezen utasítások célja annak biztosítása, hogy a felhasználó a terméket megfelelően tudja használni veszély vagy vagyoni veszteség elkerülése érdekében.

### Törvények és szabályok

A termék használatakor szigorúan be kell tartani a helyi elektromos biztonsági előírásokat.

### Tápellátás

● A készülék bemeneti feszültségének meg kell felelnie az IEC 61010-1 szabvány szerinti, a korlátozott áramforrásokra vonatkozó előírásoknak (5 V DC, 2 A). Részletes információkért tanulmányozza az adott termék leírását és a műszaki adatait.

### Szállítás

- Szállítási alkalmával tartsa a terméket az eredeti vagy ahhoz hasonló csomagolásban.
- Minden csomagolóanyagot őrizzen meg a későbbi felhasználás érdekében. Hiba esetén az eredeti csomagolásában kell a készüléket visszaküldenie a gyártónak.
- Az eredeti csomagolástól eltérő csomagolás a termék sérülését okozhatja. A vállalat ez esetben nem vállal semmilyen felelősséget.
- Ne ejtse le és ne tegye ki ütődésnek a készüléket. Tartsa távol a készüléket a mágneses zavarforrásoktól.

### Karbantartás

- Ha a termék NEM működik megfelelően, forduljon a kereskedőhöz vagy a legközelebbi szervizközponthoz. Nem vállalunk felelősséget az illetéktelen javításból vagy karbantartásból eredő károkért.
- Törölje le a készüléket egy tiszta ruhával és kis mennyiségű etanollal, ha szükséges.
- Ha a készüléket nem a gyártó által meghatározott módon használja, a védelem szintje csökkenhet.
- A karcolódás elkerülése érdekében tisztítsa a lencsét puha, száraz kendővel vagy tisztítópapírral.

### Használati környezet

- Győződjön meg arról, hogy a használati környezet megfelel a készülék előírásainak. A megfelelő üzemelési hőmérséklet-tartomány -10°C és 50°C (-14°F - 122°F) közötti, a megfelelő üzemelési páratartalom pedig legfeljebb 95%, kondenzáció nélkül.

- Helyezze el a készüléket száraz és jól szellőző környezetben.
- NE TEGYE ki a készüléket erős elektromágneses sugárzásnak vagy poros környezetnek.
- NE IRÁNYÍTSA az objektívet a Nap vagy más erős fényforrás irányába.
- Ha bármilyen lézerekészüléket használ, biztosítsa, hogy a készülék lencsáját ne érje a lézersugár, különben az kiéghet.

#### Vészhelyzet

Ha a készülék füstöt, furcsa szagot vagy zajt bocsát ki, azonnal kapcsolja ki, húzza ki a tápkábelt, majd forduljon a szervizközpontozhoz.

#### A gyártó címe

313-as szoba, B egység, 2-es épület, 399 Danfeng Road, Xixing alkerület, Binjiang kerület, Hangzhou, Zhejiang 310052, Kína  
Hangzhou Microimage Software Co., Ltd.

MEGFELELŐSÉGI MEGJEGYZÉS: A termográfias sorozat termékeire exportszabályozás vonatkozhat különböző régiókban és országokban, pl. az Egyesült Államokban, az Európai Unióban, az Egyesült Királyságban és/vagy a wassenaari egyezmény más tagországaiban. Ha a termográfias sorozat termékeit különböző országok közt szeretné szállítani, exportálni vagy újraexportálni, tájékozódjon a szükséges exportengedélyekről és követelményekről egy jogi vagy megfelelőségi szakértőnél, vagy a helyi hatóságoknál.

## Română

#### Informații juridice

##### PRECIZĂRI LEGALE

ÎN MĂSURA MAXIMĂ PERMISSĂ DE LEGISLAȚIA APLICABILĂ, ACEST MANUAL ȘI PRODUSUL DESCRIS, ÎMPREUNĂ CU HARDWARE-UL, SOFTWARE-UL ȘI FIRMWARE-UL SĂU, SUNT FURNIZATE „CA ATARE” ȘI „CU TOATE DEFECTELE ȘI ERORILE”. HIKMICRO NU OFERĂ GARANȚII, EXPLICITE SAU IMPLICITE, INCLUSIV, FĂRĂ LIMITARE, VANDABILITATE, CALITATE SATISFĂCĂTOARE SAU ADECVARE PENTRU UN ANUMIT SCOP. UTILIZAREA PRODUSULUI DE CĂTRE DVS. ESTE PE PROPRIUL RISC. ÎN NICIUN CAZ HIKMICRO NU VA FI RĂSPUNZĂTOR FAȚĂ DE DVS. PENTRU ORICE DAUNE SPECIALE, CONSECVENTE, ACCIDENTALE SAU INDIRECTE, INCLUSIV, PRINTRE ALTELE, DAUNE PENTRU PIERDEREA PROFITURILOR DE AFACERI, ÎNTRERUPEREA AFACERII, SAU PIERDEREA DATELOR, CORUPȚIA SISTEMELOR SAU PIERDEREA DOCUMENTAȚIEI, FIE CĂ SE BAZEAZĂ PE ÎNCĂLCAREA CONTRACTULUI, DELICT (INCLUSIV NEGLIJENȚĂ), RĂSPUNDEREA PRODUSULUI SAU ÎN ALT MOD, ÎN LEGĂTURĂ CU UTILIZAREA PRODUSULUI, CHIAR DACĂ HIKMICRO A FOST INFORMAT CU PRIVIRE LA POSIBILITATEA UNOR ASTFEL DE DAUNE SAU PIERDERI. RECUNOȘTEȚI CĂ NATURA INTERNETULUI ASIGURĂ RISCURI DE SECURITATE INERENTE, IAR HIKMICRO NU ÎȘI ASUMĂ NICIO RESPONSABILITATE PENTRU FUNCȚIONAREA ANORMALĂ, SCURGERI DE CONFIDENȚIALITATE SAU ALTE DAUNE REZULTATE DIN ATACURILE CIBERNETICE, ATACURILE HACKERILOR, INFECȚIILOR CU VIRUȘI SAU ALTE RISCURI DE SECURITATE PE INTERNET; CU TOATE ACEȘTEA, HIKMICRO VA OFERI ASISTENȚĂ TEHNICĂ ÎN TIMP UTIL, DACĂ ESTE NECESAR.

SUNTEȚI DE ACORD SĂ UTILIZAȚI ACEST PRODUS ÎN CONFORMITATE CU TOATE LEGILE APLICABILE ȘI VĂ REVINE ÎN ÎNTREGIME RESPONSABILITATEA DE A VĂ ASIGURA CĂ UTILIZAREA DVS. ESTE ÎN CONFORMITATE CU LEGISLAȚIA APLICABILĂ. ÎN SPECIAL, SUNTEȚI RESPONSABIL(Ă) PENTRU UTILIZAREA ACESTUI PRODUS ÎNTR-UN MOD CARE NU ÎNCALCĂ DREPTURILE TERȚILOR, INCLUSIV, DAR FĂRĂ A SE LIMITA LA DREPTURILE DE PUBLICITATE, DREPTURILE DE PROPRIETATE INTELECTUALĂ SAU PROTECȚIA DATELOR ȘI ALTE DREPTURI DE CONFIDENȚIALITATE. NU

UTILIZAȚI ACEST PRODUS PENTRU VÂNĂTOAREA ILEGALĂ DE ANIMALE, INVAZIA VIEȚII PRIVATE SAU ÎN ORICE ALT SCOP CARE ESTE ILEGAL SAU ÎN DETRIMENTUL INTERESULUI PUBLIC. NU VEȚI UTILIZA ACEST PRODUS PENTRU UTILIZĂRI FINALE INTERZISE, INCLUSIV PENTRU DEZVOLTAREA SAU PRODUCEREA DE ARME DE DISTRUGERE ÎN MASĂ, DEZVOLTAREA SAU PRODUCEREA DE ARME CHIMICE SAU BIOLOGICE, DESFĂȘURAREA ORICĂROR ACTIVITAȚI ÎN CONTEXTUL ORICĂRUI EXPLOZIBIL NUCLEAR SAU AL UNUI CICLU DE PRODUȚIE A UNUI COMBUSTIBIL NUCLEAR CARE NU PREZINTĂ SIGURANȚĂ SAU ÎN SPRIJINUL ÎNCĂLCĂRII DREPTURILOR OMULUI.

VĂ RUGĂM SĂ ȚINEȚI CONT DE TOATE INTERDICȚIILE ȘI ATENȚIONĂRILE EXCEPȚIONALE ALE TUTUROR LEGILOR ȘI REGULAMENTELOR APLICABILE, ÎN SPECIAL LEGILE ȘI REGULAMENTELE DE VÂNĂTOARE LOCALE. VĂ RUGĂM VERIFICAȚI ÎNTOTDEAUNA PREVEDERILE ȘI REGULAMENTELE NAȚIONALE ÎNAINTE DE A CUMPARĂ SAU UTILIZA ACEST PRODUS. VĂ RUGĂM SĂ REȚINEȚI CĂ ESTE POSIBIL SĂ TREBUIASCĂ SĂ APLICAȚI PENTRU PERMISE, CERTIFICATE ȘI SAU LICENȚE ÎNAINTE DE ORICE CUMPARARE, VÂNZARE, COMERCIALIZARE ȘI SAU UTILIZARE A PRODUSULUI. HIKMICRO NU VA FI RESPONSABILĂ PENTRU CUMPARAREA, VÂNZAREA, COMERCIALIZAREA SAU UTILIZAREA FINALĂ IMPROPRIE ȘI ORICE DAUNE SPECIALE, PE CALE DE CONSECINȚĂ SAU INCIDENTALE SAU INDIRECTE CARE POT APĂREA.

ÎN CAZUL UNOR CONFLICTE ÎNTRE ACEST MANUAL ȘI LEGEA APLICABILĂ, ACEASTA DIN URMĂ PREVALEAZĂ.

**Aceste clauze se aplică numai produselor care poartă marca sau informațiile corespunzătoare.**

#### Declarație de conformitate UE



Acest produs și, dacă este cazul, și accesoriile furnizate sunt prevăzute cu marcaul „CE” și, drept urmare, sunt conforme cu standardele europene armonizate aplicabile enumerate în Directiva 2014/30/UE (EMCD), Directiva 2014/35/UE (LVD), Directiva 2011/65/UE (RoHS).



Directiva 2012/19/UE (directiva DEEE): Produsele marcate cu acest simbol nu pot fi eliminate ca deșeuri municipale nesortate în Uniunea Europeană. Pentru o reciclare adecvată, returnați acest produs furnizorului local la achiziționarea unui echipament nou echivalent sau predați-l într-unul dintre punctele de colectare desemnate. Pentru mai multe informații, consultați: [www.recyclethis.info](http://www.recyclethis.info).

#### Instrucțiuni de siguranță

Aceste instrucțiuni sunt menite să asigure că utilizatorul poate utiliza corect produsul pentru a evita pericolul sau pierderea proprietății.

##### Legi și reglementări

Utilizarea produsului trebuie să respecte cu strictețe reglementările locale de siguranță electrică.

##### Alimentare electrică

● Tensiunea de intrare pentru dispozitiv trebuie să respecte sursa de alimentare limitată (5 V c.c., 2 A) în conformitate cu standardul IEC61010-1. Vă rugăm să consultați produsele reale și specificațiile tehnice pentru informații detaliate.

##### Transport

- Păstrați dispozitivul în ambalajul original sau similar în timpul transportului.
- După dezambalare, păstrați toate ambalajele pentru o viitoare utilizare. În cazul în care a apărut vreun defect, trebuie să returnați dispozitivul în fabrică cu ambalajul original.

- Транспортът без оригиналния обвивка може да доведе до влошаване на устройството, а компанията не носи отговорност за това.
- НЕ СКАЧАЙТЕ ПРОДУКТА И НЕ ГО ПОСТАВЯЙТЕ НА ФИЗИЧЕСКИ РИСКОВЕ. Избягвайте магнитни интерференции.

#### Поддръжка

- В случай, че устройството не работи правилно, моля, свържете се с дилера или най-близкия център за обслужване. Не приемете никаква отговорност за проблемите, причинени от ремонт или поддръжка извън официалните канали.
- Премахнете внимателно устройството от зарядното устройство и го съхранявайте в защитен чехъл.
- Използвайте само оригинални батерии и зарядни устройства.

#### Използване на устройството

- Гарантираме, че устройството работи в съответствие с изискванията. Температурата на работното място трябва да бъде в диапазона от -10 °C до 50 °C (14 °F до 122 °F), а влажността на въздуха да е по-малка от 95%.
- Поставете устройството на сухо и добре вентилирано място.
- НЕ излагайте устройството на електромагнитно излъчване или прах.
- НЕ излагайте устройството на слънце или на всякакви източници на топлина.
- Когато използвате всяко устройство, гарантираме, че устройството не е изложено на лазерно излъчване, освен ако не е предназначено за това.

#### Екстремни ситуации

В случай, че устройството излъчва дим, миризма или шум, спрете употребата, изключете кабела за захранване и се свържете с центъра за обслужване.

#### Адрес на производителя

Camera 313, Unitatea B, Clădirea 2, 399 Danfeng Road, subdistrictul Xixing, districtul Binjiang, Hangzhou, Zhejiang 310052, China  
Hangzhou Microimage Software Co., Ltd.

**NOTIFICARE DE CONFORMITATE:** Продуктите от серията термича могат да бъдат предмет на износването в различни страни или региони, включително, без ограничение, Съединените Американски Щати, Европейския съюз, Регатът на Обединените и/или други страни членки на Аржентинския съюз на Ватсенар. Моля, свържете се с експерта по правни въпроси или с компетентните местни власти за получаване на необходимите разрешения за износване, ако е необходимо. Моля, свържете се с компетентните местни власти за получаване на необходимите разрешения за износване, ако е необходимо.

## Български

#### Правна информация

##### ОТКАЗ ОТ ОТГОВОРНОСТ

ТОВА РЪКОВОДСТВО И ОПИСАНИЕТО НА ПРОДУКТА, ЗАЕДНО С НЕГОВИТЕ ХАРДУЕР, СОФТУЕР И ФЪРМУЕР СЕ ПРЕДОСТАВЯТ "КАКВАВА, КАКВИТО СА" И "С ВСИЧКИ НЕИЗПРАВНОСТИ И ГРЕШКИ" ДО МАКСИМАЛНАТА СТЕПЕН, РАЗРЕШЕНА ОТ МАКРОЕКОНОМИЧЕСКОТО ЗАКОНОДАТЕЛСТВО. НИКМИСРО НЕ ДАВА НИКАКВИ ГАРАНЦИИ, ИЗРИЧНИ ИЛИ ПОДРАЗБИРАЩИ СЕ, ВКЛЮЧИТЕЛНО И БЕЗ ДА СЕ ОГРАНИЧАВА ДО ПРОДАВАЕМОСТ, ЗАДОВОЛТЕЛНО КАЧЕСТВО ИЛИ ПРИГОДНОСТ ЗА ОПРЕДЕЛЕНА ЦЕЛ. УПОТРЕБАТА НА ПРОДУКТА Е НА ВАШ СОБСТВЕН РИСК. НИКМИСРО В НИКАКЪВ СЛУЧАЙ НЕ НОСИ ОТГОВОРНОСТ СПРЯМО ВАС ЗА ВСЯКАКВИ СПЕЦИАЛНИ, ПОСЛЕДВАЩИ, СЛУЧАЙНИ ИЛИ КОСВЕНИ ЩЕТИ, ВКЛЮЧИТЕЛНО, НО НЕ САМО ЩЕТИ, СВЪРЗАНИ С ПРОПУСКАНИ ПЕЧАЛБИ, ПРЕКЪСВАНЕ НА БИЗНЕС-ДЕЙНОСТТА ИЛИ ЗАГУБА НА ДАННИ,


ПОВРЕДИ В СИСТЕМИ ИЛИ ЗАГУБА НА ДОКУМЕНТАЦИЯ, НЕЗАВИСИМО ДАЛИ СЕ ДЪЛЖАТ НА НАРУШЕНИЕ НА ДОГОВОР, ЗАКОНОНАРУШЕНИЕ (ВКЛЮЧИТЕЛНО НЕБРЕЖНОСТ), ОТГОВОРНОСТ ВЪВ ВРЪЗКА С ПРОДУКТА ИЛИ ПО ДРУГ НАЧИН СВЪРЗАНИ С УПОТРЕБАТА НА ПРОДУКТА, ДОРИ И АКО НИКМИСРО СА БИЛИ УВЕДОМЕНИ ЗА ВЪЗМОЖНОСТТА ОТ ТАКИВА ЩЕТИ ИЛИ ЗАГУБИ. ВИЕ РАЗБИРАТЕ И ПРИЕМАТЕ, ЧЕ ЕСТЕСТВОТО НА ИНТЕРНЕТ ПРЕДПОЛАГА ПРИСЪЩИ РИСКОВЕ ЗА СИГУРНОСТТА И НИКМИСРО НЕ ПОЕМА НИКАКВА ОТГОВОРНОСТ ЗА НЕПРАВИЛНА РАБОТА, ИЗТИЧАНЕ НА ПОВЕРЛИВИ ДАННИ ИЛИ ДРУГИ ЩЕТИ, ПРОИЗТИЧАЩИ ОТ КИБЕРАТАКА, ХАКЕРСКА АТАКА, ЗАРАЗА С ВИРУСИ ИЛИ ДРУГИ СВЪРЗАНИ С ИНТЕРНЕТ РИСКОВЕ ЗА СИГУРНОСТТА; НИКМИСРО ОБАЧЕ ЩЕ ПРЕДОСТАВИ НАВРЕМЕННА ТЕХНИЧЕСКА ПОДДРЪЖКА, АКО СЕ НАЛОЖИ.

ВИЕ ПРИЕМАТЕ ДА ИЗПОЛЗВАТЕ ТОЗИ ПРОДУКТ В СЪОТВЕТСТВИЕ С ВСИЧКИ ПРИЛОЖИМИ ЗАКОНИ И НОСИТЕ ПЪЛНА ОТГОВОРНОСТ ЗА УПОТРЕБАТА НА ПРОДУКТА СЪГЛАСНО ПРИЛОЖИМОТО ЗАКОНОДАТЕЛСТВО. ПО-СПЕЦИАЛНО ВИЕ НОСИТЕ ОТГОВОРНОСТ ЗА УПОТРЕБАТА НА ТОЗИ ПРОДУКТ ПО НАЧИН, КОЙТО НЕ НАРУШАВА ПРАВТА НА ТРЕТИ СТРАНИ, ВКЛЮЧИТЕЛНО, НО НЕ САМО, ПРАВТО НА ПУБЛИЧНОСТ, ПРАВТО НА ИНТЕЛЕКТУАЛНА СОБСТВЕНОСТ ИЛИ ЗАЩИТА НА ДАННИТЕ, КАКТО И ДРУГИ ПРАВА ЗА ПОВЕРЛИВОСТ. НИМАТЕ ПРАВО ДА ИЗПОЛЗВАТЕ ПРОДУКТА ЗА НЕЗАКОНЕН ЛОВ НА ЖИВОТНИ, НАРУШАВАНЕ НА НЕПРИКОСНОВЕНОСТТА НА ДРУГИ ЛИЦА ИЛИ ЗА ДРУГИ ЦЕЛИ, КОИТО СА НЕЗАКОННИ ИЛИ ПРОТИВОРЕЧАТ НА ОБЩЕСТВЕНИЯ ИНТЕРЕС. ТОЗИ ПРОДУКТ НЕ МОЖЕ ДА СЕ ИЗПОЛЗВА ЗА ЗАБРАНЕНИ КРАЙНИ ЦЕЛИ, ВКЛЮЧИТЕЛНО ЗА РАЗРАБОТВАНЕ ИЛИ ПРОИЗВОДСТВО НА ОРЪЖИЯ ЗА МАСОВО УНИЩОЖАВАНЕ, РАЗРАБОТВАНЕ ИЛИ ПРОИЗВОДСТВО НА ХИМИЧЕСКИ ИЛИ БИОЛОГИЧНИ ОРЪЖИЯ, КАКТО И ВСЯКАКВИ ДЕЙНОСТИ, СВЪРЗАНИ С ЯДРЕНИ ЕКСПЛОЗИВИ, ОПАСНИ ЯДРЕНО-ГОРИВНИ ЦИКЛИ ИЛИ СВЪРЗАНИ С НАРУШАВАНЕ НА ПРАВТА НА ЧОВЕКА. СПАЗВАЙТЕ ВСИЧКИ ЗАБРАНИ И ИЗКЛЮЧЕНИЯ ОТ ВСИЧКИ ПРИЛОЖИМИ ЗАКОНИ И НАРЕДБИ, ПО-СПЕЦИАЛНО МЕСТНИТЕ ЗАКОНИ И НАРЕДБИ ЗА ОГНЕСТРЕЛНИ ОРЪЖИЯ И/ИЛИ ЛОВ. ВИНАГИ ПРОВЕРЯВАЙТЕ НАЦИОНАЛНИТЕ ЗАКОНИ И НАРЕДБИ, ПРЕДИ ДА ЗАКУПИТЕ ИЛИ ДА ИЗПОЛЗВАТЕ ТОЗИ ПРОДУКТ. ИМАЙТЕ ПРЕДВИД, ЧЕ МОЖЕ ДА Е НЕОБХОДИМО ДА ПОЛУЧИТЕ РАЗРЕШИТЕЛНИ, СЕРТИФИКАТИ И/ИЛИ ЛИЦЕНЗИ, ПРЕДИ ДА ЗАКУПИТЕ, ПРОДАДЕТЕ, ПУСНЕТЕ НА ПАЗАРА И/ИЛИ ИЗПОЛЗВАТЕ ПРОДУКТА. НИКМИСРО НЕ НОСИ ОТГОВОРНОСТ ЗА НЕЗАКОННА ИЛИ НЕПРАВОМЕРНА ПОКУПКА, ПРОДАЖБА, МАРКЕТИНГ И КРАЙНА УПОТРЕБА, КАКТО И ЗА СПЕЦИФИЧНИ, ПОСЛЕДВАЩИ, СЛУЧАЙНИ ИЛИ КОСВЕНИ ЩЕТИ, ПРОИЗТИЧАЩИ ОТ ТОВА.

В СЛУЧАЙ НА КАКВИТО И ДА БИЛО ПРОТИВОРЕЧИЯ МЕЖДУ ТОВА РЪКОВОДСТВО И ПРИЛОЖИМИТЕ ЗАКОНИ, ПОСЛЕДНИТЕ ИМАТ ПРЕДИМСТВО.

**Тези клаузи важат само за продуктите със съответната маркировка или информация.**

#### Декларация за съответствие на ЕС

 Този продукт и, ако е приложимо, доставените с него аксесоари имат маркировка „CE“ за съответствие с приложимите хармонизирани европейски стандарти, изброени в Директива 2014/30/ЕС относно електромагнитната съвместимост (EMCD), Директива 2014/35/ЕС относно електрическо оборудване с ниско напрежение (LVD), Директива 2011/65/ЕС относно ограничението на опасните

вещества (RoHS).



Директива 2012/19/ЕС относно отпадъци от електрическо и електронно оборудване (OEEО): Продуктите, отбелязани с този символ, не могат да бъдат изхвърляни заедно с битовите

отпадъци в Европейския съюз. За да бъде рециклиран правилно, този продукт трябва да бъде върнат на местния доставчик при покупка на еквивалентно ново оборудване, или да бъде предаден в съответния пункт за рециклиране. За повече информация вижте: [www.recyclethis.info](http://www.recyclethis.info).

### Инструкции за безопасност

Тези инструкции са предназначени да информират потребителя как да използва продукта правилно, за да избегне рискове или повреда на имущество.

### Законова и нормативна уредба

При употреба на продукта трябва да се спазват местните разпоредби за електрическа безопасност.

### Захранване

● Входящото напрежение за захранване на устройството трябва да отговаря на изискванията за ограничен източник на захранване (5 VDC, 2 A) съгласно стандарт IEC61010-1. За подробна информация направете справка с действителния продукт и техническите спецификации.

### Транспорт

- Поставете продукта в оригиналната опаковка или друга подобна опаковка, когато е необходимо да бъде транспортиран.
- След разопаковане запазете всички опаковки за бъдеща употреба. Ако възникне неизправност, трябва да върнете устройството на производителя с оригиналната опаковка.
- Транспортирането без оригинална опаковка може да доведе до повреда на устройството, за което компанията не носи никаква отговорност.
- Не изпускайте продукта и не го подлагайте на удари. Дръжте устройството далеч от магнитни смущения.

### Поддръжка

- Ако продуктът не работи правилно, свържете се с дистрибутора или с най-близкия сервизен център. Не поемаме отговорност за проблеми, предизвикани от неразрешен ремонт или поддръжка.
- Почиствайте внимателно устройството с чиста кърпа и малко количество етанол при необходимост.
- Ако използвате оборудването по начин, който не е предвиден от производителя, защитата на устройството може да бъде нарушена.
- Почиствайте обектива с мека суха кърпа или хартия, за да избегнете надраскване.

### Околна среда

- Уверете се, че околната среда, в която работи устройството, отговаря на изискванията. Работната температура трябва да бъде от -10°C до 50°C (14°F до 122°F), а влажността на въздуха трябва да бъде под 95%, без кондензация.
- Поставете устройството в суха и добре вентилирана среда.
- НЕ излагайте устройството на силно електромагнитно излъчване или в запрашена среда.
- НЕ насочвайте обектива към слънцето или друг източник на силна светлина.
- Когато използвате лазерно оборудване, не излагайте обектива на устройството на лазерните лъчи, тъй като може да изгори.

### Аварийни ситуации

Ако от устройството се появи дим, миризма или шум, прекъснете веднага електрозахранването и изключете захранващия кабел, след което се свържете със сервизния център.

### Адрес на производителя

Офис 313, Крило В, Сграда 2, Данфенг роуд 399, Подобласт Ксиксинг, Област Бинцзян, Ханджоу, Джъдзян 310052, Китай  
Hangzhou Microimage Software Co., Ltd.

ДЕКЛАРАЦИЯ ЗА СЪОТВЕТСТВИЕ: Продуктите от топлинната серия могат да подлежат на контрол на износа в отделни държави или региони, включително и без ограничение в САЩ, Европейския съюз, Обединеното кралство и/или други държави членки на Споразумението от Васенаар. Консултирайте се с правен или регулаторен специалист, или с местните органи, относно необходимите разрешителни за износ, ако възнамерявате да извършвате прехвърляне, експорт или ре-експорт на продукти от топлинната серия между различни държави.

**Nederlands**

### Juridische informatie

#### JURIDISCHE DISCLAIMER

VOOR ZOVER MAXIMAAL TOEGESTAAN OP GROND VAN HET TOEPASSELIJK RECHT, WORDEN DEZE HANDLEIDING EN HET OMSCHREVEN PRODUCT, INCLUSIEF HARDWARE, SOFTWARE EN FIRMWARE, GELEVERD 'ZOALS ZE ZIJN', INCLUSIEF 'FOUTEN EN GEBREKEN'. HIKMICRO GEEFT GEEN GARANTIES, EXPLICIET OF IMPLICIET, WAARONDER ZONDER BEPERKING, VERKOOPBAARHEID, BEVREDIGENDE KWALITEIT OF GESCHIKTHEID VOOR EEN BEPAALD DOEL. HET GEBRUIK VAN HET PRODUCT DOOR U IS OP EIGEN RISICO. IN GEEN GEVAL IS HIKMICRO VERANTWOORDELIJK VOOR SPECIALE, BIJKOMENDE, INCIDENTELE OF INDIRECTE SCHADE, WAARONDER, ONDER ANDERE, SCHADE VAN VERLIES AAN ZAKELIJKE WINST, ZAKELIJKE ONDERBREKING OF VERLIES VAN GEGEVENS, CORRUPTIE OF SYSTEMEN, OF VERLIES VAN DOCUMENTATIE, ONGEACHT OF DIT VOORTVLOEIT UIT CONTRACTBREUK, BENADELING (INCLUSIEF NALATIGHEID), PRODUCTAANSPRAKELIJKHEID OF ANDERS, MET BETREKKING TOT HET PRODUCT, ZELFS ALS HIKMICRO OP DE HOOGTE IS GEBRACHT VAN ZULKE SCHADE OF VERLIES. U ERKENT DAT DE AARD VAN HET INTERNET INHERENTE VEILIGHEIDSRISICO'S INHOUDT EN DAT HIKMICRO GEEN ENKELE VERANTWOORDELIJKHEID AANVAARDT VOOR ABNORMALE WERKING, HET UITLEKKEN VAN PERSOONLIJKE GEGEVENS OF ANDERE SCHADE ALS GEVOLG VAN CYBERAANVALLEN, HACKERAANVALLEN, VIRUSBESMETTINGEN OF ANDERE BEVEILIGINGSRISICO'S OP HET INTERNET; INDIEN NODIG VOORZIET HIKMICRO IN TIJDIGE TECHNISCHE ONDERSTEUNING. U GAAT AKKOORD MET HET GEBRUIK VAN DIT PRODUCT IN OVEREENSTEMMING MET ALLE TOEPASSELIJKE WETTEN EN U BENT ALS ENIGE VERANTWOORDELIJK VOOR DE GARANTIE DAT UW GEBRUIK OVEREENSTEMT MET DE TOEPASSELIJKE WET. U BENT VOORAL VERANTWOORDELIJK DAT HET GEBRUIK VAN DIT PRODUCT GEEN INBREUK PLEEGT OP DE RECHTEN VAN DERDEN, INCLUSIEF EN ZONDER BEPERKING DE RECHTEN VAN PUBLICITEIT, INTELLECTUEEL EIGENDOM OF GEGEVENSBECHERMING EN ANDERE PRIVACYRECHTEN. U MAG DIT PRODUCT NIET GEBRUIKEN OM ILLEGAAL OP DIEREN TE JAGEN, DE PRIVACY TE SCHENDEN OF VOOR ENIG ANDER DOEL DAT ILLEGAAL IS DAN WEL SCHADELIJK VOOR HET OPENBAAR BELANG. U MAG DIT PRODUCT NIET GEBRUIKEN VOOR ENIGE VERBODEN EINDGEBRUIK, MET INBEGRIIP VAN DE ONTWIKKELING OF DE PRODUCTIE VAN MASSAVERNIETIGINGSWAPENS, DE ONTWIKKELING OF DE PRODUCTIE VAN CHEMISCHE OF BIOLOGISCHE WAPENS, ALLE ACTIVITEITEN IN HET KADER VAN EVENTUELE NUCLEAIRE EXPLOSIEVEN OF ONVEILIGE NUCLEAIRE BRANDSTOF CYCLUS, OF TER

ONDERSTEUNING VAN MENSENRECHTENSCHENDINGEN. VOLG ALLE VERBODSREGELS EN UITZONDERLIJKE VOORBEHOUDEN VAN ELKE TOEPASSELIJKE WET- EN REGELGEVING, IN HET BIJZONDER DE LOKALE WET- EN REGELGEVING VOOR VUURWAPENS EN/OF JACHT. CONTROLEER ALTIJD DE NATIONALE BEPALINGEN EN REGELGEVING VOOR AANKOOP OF GEBRUIK VAN DIT PRODUCT. HOUD ER REKENING MEE DAT U MOGELIJK VERGUNNINGEN, CERTIFICATEN EN/OF LICENTIES MOET AANVRAGEN ALVORENS HET PRODUCT TE KOPEN, VERKOPEN, MARKETEN EN/OF GEBRUIKEN. HIKMICRO IS NIET AANSPRAKELIJK VOOR DERGELIJKE ILLEGALE OF ONJUISTE AANKOOP, VERKOOP, MARKETING EN EINDGEBRUIK EN ENIGE BIJZONDERE, GEVOLG-, INCIDENTELE OF INDIRECTE SCHADE DIE DAARUIT VOORTVLOEIT. IN HET GEVAL VAN ENIGE CONFLICTEN TUSSEN DEZE HANDLEIDING EN DE TOEPASSELIJKE WETGEVING, PREVALEERT DE LAATSTE.

**Deze clausules zijn alleen van toepassing op de producten die de overeenkomende markering of informatie dragen.**

#### EU-conformiteitsverklaring



Dit product en - indien van toepassing - de meegeleverde accessoires dragen het merkteken "CE" en voldoen derhalve aan de toepasselijke geharmoniseerde Europese normen onder richtlijn 2014/30/EU (EMCD), richtlijn 2014/35/EU (LVD) en richtlijn 2011/65/EU (RoHS).



Richtlijn 2012/19/EU (WEEE-richtlijn): Producten die met dit symbool zijn gemarkeerd mogen binnen de Europese Unie niet worden weggegooid als ongesorteerd huishoudelijk afval. Lever dit product voor een juiste recycling in bij uw plaatselijke leverancier bij aankoop van soortgelijke nieuwe apparatuur, of breng het naar daarvoor aangewezen inzamelpunten. Raadpleeg voor meer informatie: [www.recyclethis.info](http://www.recyclethis.info).

#### Veiligheidsinstructies

Deze instructies zijn bedoeld om te verzekeren dat de gebruiker het product juist kan gebruiken om gevaar of verlies van eigendommen te vermijden.

#### Wet- en regelgeving

Gebruik van het product moet in strikte overeenstemming met de plaatselijke elektrische veiligheidsvoorschriften plaatsvinden.

#### Stroomvoorziening

● De ingangsspanning van het apparaat moet voldoen aan de beperkte stroombron (5 VDC, 2 A) volgens de IEC61010-1-norm. Raadpleeg de actuele producten en technische specificaties voor meer informatie.

#### Transport

- Bewaar het apparaat in de originele of soortgelijke verpakking tijdens vervoer.
- Bewaar alle verpakkingen voor toekomstig gebruik. In het geval van een defect moet u het apparaat terugsturen naar de fabriek met de originele verpakking.
- Transport zonder de originele verpakking kan leiden tot schade aan het apparaat, waarvoor wij geen verantwoordelijk erkennen.
- Laat het product niet vallen en stel het apparaat niet bloot aan schokken. Houd het toestel uit de buurt van magnetische velden.

#### Onderhoud

● Als het product niet goed werkt, neem dan contact op met uw leverancier of het dichtstbijzijnde servicecentrum. Wij aanvaarden geen verantwoordelijkheid voor problemen die zijn

veroorzaakt door ongeautoriseerde reparatie of onderhoud.

- Veeg het apparaat voorzichtig schoon met een schone doek en, indien nodig, een kleine hoeveelheid ethanol.
- Als de apparatuur wordt gebruikt op een manier die niet door de fabrikant is gespecificeerd, kan de bescherming van het apparaat worden aangetast.
- Maak de lens schoon met een zachte en droge doek of poetspapier om krassen te voorkomen.

#### Gebruiksomgeving

- Zorg dat de gebruiksomgeving voldoet aan de vereisten van het apparaat. Het apparaat werkt bij een temperatuur van -10 °C tot 50 °C en een luchtvochtigheid van 95% of lager, geen condensatie.
- Plaats het apparaat in een droge en goed geventileerde omgeving.
- Stel het apparaat NIET bloot aan hoge elektromagnetische straling of stoffige omgevingen.
- Richt de lens NIET op de zon of een ander fel licht.
- Wanneer laserapparatuur in gebruik is, zorg er dan voor dat de lens van het apparaat niet wordt blootgesteld aan de laserstraal, anders kan deze doorbranden.

#### Noodgeval

Als er rook, geur of geluid uit het apparaat komt, schakel het dan onmiddellijk uit, haal de stekker van het netsnoer uit het stopcontact en neem contact op met het servicecentrum.

#### Adres fabrikant

Kamer 313, Gebouw 2, 399 Danfeng Road, subdistrict Xixing, district Binjiang, Hangzhou, Zhejiang 310052, China  
Hangzhou Microimage Software Co., Ltd.

MEDEDELING VAN NALEVING: De producten thermische serie kunnen zijn onderworpen aan exportcontroles in verschillende landen of regio's, inclusief zonder enige beperking de Verenigde Staten, de Europese Unie, het Verenigd Koninkrijk en/of andere lidstaten van de Overeenkomst van Wassenaar. Neem contact op met uw professionele juridische of nalevingsexpert of plaatselijke overheidsinstanties omtrent enige noodzakelijke vereisten voor een exportvergunning als u van plan bent de producten thermische serie te verplaatsen, exporteren of her-exporteren tussen verschillende landen.

**Dansk**

#### Juridiske oplysninger

##### JURIDISK ANSVARSKRIVELSE

VEJLEDNINGEN OG DET HERI BESKREVNE PRODUKT, INKL. HARDWARE, SOFTWARE OG FIRMWARE, LEVERES I STØRST MULIGT OMFANG, DER ER TILLADT VED LOV, "SOM DET ER OG FOREFINDES" OG "MED ALLE DEFEKTER OG FEJL". HIKMICRO UDSTEDER INGEN GARANTIER, HVERKEN UDTRYKKELIGE ELLER UNDERFORSTÅEDE, INKL. UDEN BEGRÆNSNING, VEDRØRENDE SALGBARHED, TILFREDSSTILLELSE KVALITET ELLER EGNETHED TIL ET BESTEMT FORMÅL. DIN BRUG AF PRODUKTET SKER PÅ DIN EGEN RISIKO. UNDER INGEN OMSTÆNDIGHEDER ER HIKMICRO ANSVARLIG OVER FOR DIG FOR SÆRLIGE SKADER, HÆNDELIGE SKADER, FØLGESKADER ELLER INDIRECTE SKADER, INKL. BL.A., SKADER SOM FØLGE AF DRIFTSTAB, DRIFTSFORSTYRELSE ELLER TAB AF DATA, BESKADIGELSE AF SYSTEMER ELLER TAB AF DOKUMENTATION, UANSET OM DET ER BASERET PÅ KONTRAKTBRUD, SKADEVOLDENDE HANDLINGER (HERUNDER UAGTSOMHED), PRODUKTANSVAR ELLER PÅ ANDEN MÅDE I FORBINDELSE MED BRUGEN AF PRODUKTET, SELVOM HIKMICRO ER BLEVET UNDERRETET OM MULIGHEDEN FOR SÅDANNE SKADER. DU ANERKENDE, AT INTERNETTET INDEHOLDER INDBYGGEDE SIKKERHEDSRISICI. HIKMICRO PÅTAGER

SIG INTET ANSVAR FOR UNORMAL DRIFT, LÆKAGE AF PERSONLIGE OPLYSNINGER ELLER ANDRE SKADER SOM FØLGE AF CYBERANGREB, HACKERANGREB, VIRUSANGREB ELLER ANDRE INTERNETSIKKERHEDSRISICI. HIKMICRO VIL DOG YDE EVENTUEL NØDVENDIG OG RETTIDIG TEKNISK SUPPORT.

DU ERKLÆRER DIG INDFORSTÅET MED AT BRUGE PRODUKTET I OVERENSSTEMMELSE MED ALLE GÆLDENDE LOVE, OG DU ER ENEANSVARLIG FOR AT SIKRE, AT DIN BRUG OVERHOLDER AL GÆLDENDE LOVGIVNING. DU ER ISÆR ANSVARLIG FOR AT BRUGE PRODUKTET PÅ EN MÅDE, DER IKKE KRÆNKER TREDJEPARTERS RETTIGHEDER, HERUNDER, UDEN BEGRÆNSNINGER, RETTIGHEDER VEDRØRENDE OFFENTLIG OMTALE, INTELLEKTUELLE EJENDOMSRETTIGHEDER ELLER RETTIGHEDER VEDRØRENDE DATABESKYTTELSE OG ANDRE RETTIGHEDER VEDRØRENDE PERSONLIGE OPLYSNINGER. DU MÅ IKKE BRUGE PRODUKTET TIL ULOVLIG JAGT PÅ DYR, INVASION AF PRIVATLIV ELLER ETHVERT ANDET FORMÅL, DER ER ULOVLIGT ELLER I MODSTRID MED DEN OFFENTLIGE INTERESSE. DU MÅ IKKE BRUGE PRODUKTET TIL FORBUDTE SLUTANVENDELSER, HERUNDER UDVIKLING ELLER FREMSTILLING AF MASSEØDELÆGGELSESVÅBEN, UDVIKLING ELLER PRODUKTION AF KEMISKE ELLER BIOLOGISKE VÅBEN, AKTIVITETER I DEN KONTEKST, DER ER KNYTTET TIL ATOMBOMBER ELLER USIKKERT REAKTORBRÆNDSEL, ELLER SOM STØTTE TIL OVERTRÆDELSE AF MENNESKERETTIGHEDER. FØLG ALLE FORBUDDENE OG DE USÆDVANLIGE ADVARSLER I ALLE GÆLDENDE LOVE OG BESTEMMELSER, ISÆR DE LOKALE LOVE OG BESTEMMELSER OM SKYDEVÅBEN OG/ELLER JAGT. KONTROLLER ALTID DE NATIONALE BESTEMMELSER OG FORORDNINGER, INDEN DU KØBER ELLER BRUGER PRODUKTET. LÆG MÆRKE TIL, AT DU MULIGVIS SKAL ANSØGE OM TILLADELSER, CERTIFIKATER OG/ELLER LICENSER, FØR DU KØBER, SÆLGER, MARKEDSFØRER OG/ELLER BRUGER PRODUKTET. HIKMICRO KAN IKKE PÅTAGES ANSVARET FOR EVT. ULOVLIG ELLER FORKERT KØB, SALG, MARKEDSFØRING OG SLUTANVENDELSER OG EVENTUELLE SÆRLIGE SKADER ELLER FØLGESKADER SAMT TILFÆLDIGE ELLER INDIREKTE SKADER SOM FØLGE DERAFF. I TILFÆLDE AF UOVERENSSTEMMELSE MELLEM VEJLEDNINGEN OG GÆLDENDE LOVGIVNING GÆLDER SIDSTNÆVNTE.

**Disse bestemmelser gælder kun for produkter, der er forsynet med det relevante mærke eller oplysninger.**

#### EU-overensstemmelseserklæring



Produktet og eventuelt medfølgende tilbehør er mærket "CE" og opfylder derfor gældende harmoniserede europæiske standarder anført i EU-direktiv 2014/30/EU (EMCD), EU-direktiv 2014/35/EU (LVD) og EU-direktiv 2011/65/EU (RoHS).



EU-direktiv 2012/19/EU (WEEE-direktivet): Produkter, der er mærket med dette symbol, kan ikke bortskaffes som almindeligt husholdningsaffald i EU. Med henblik på

korrekt genbrug skal du aflevere produktet til din lokale leverandør ved køb af tilsvarende nyt udstyr eller aflevere det på et dertil indrettet indleveringssted. For yderligere oplysninger se: [www.recyclethis.info](http://www.recyclethis.info).

#### Sikkerhedsanvisning

Disse anvisninger skal sikre, at brugeren kan anvende produktet korrekt og undgå fare eller tab af ejendom.

#### Love og bestemmelser

Brug af dette produkt skal strengt overholde lokale bestemmelser for elektrisk sikkerhed.

#### Strømforsyning

● Enhedens indgangsspænding skal overholde LPS-kravene (5 V jævnstrøm, 2 A) iht. standarden IEC61010-1. Se de faktiske produkter og tekniske specifikationer for flere oplysninger.

#### Transport

- Opbevar enheden i den oprindelige eller en lignende emballage, når den skal transporteres.
- Gem al emballage efter udpakningen til senere brug. Du skal bruge den originale emballage til at returnere enheden til fabrikken, hvis der opstår fejl.
- Transport uden den originale emballage kan medføre skade på enheden, og virksomheden tager intet ansvar derfor.
- Tab ikke produktet, og udsæt det ikke for fysiske stød. Hold enheden væk fra magnetisk interferens.

#### Vedligeholdelse

- Hvis produktet ikke virker korrekt, skal du kontakte din forhandler eller dit nærmeste servicecenter. Vi påtager os intet ansvar for problemer, der er forårsaget af uautoriseret reparation eller vedligeholdelse.
- Tør enheden forsigtigt af med en ren klud og en lille mængde ætanol, hvis det er nødvendigt.
- Hvis udstyret bruges på en måde, der ikke er angivet af producenten, kan den beskyttelse, der enheden giver, blive forringet.
- Rengør objektivet med en blød og tør klud eller med aftøringspapir for at undgå at ridse det.

#### Driftsmiljø

- Kontrollér, at driftsmiljøet opfylder enhedens krav. Driftstemperaturen skal ligge mellem -10 °C og 50 °C (14 °F til 122 °F), og driftsluftfugtigheden skal være 95 % eller derunder, uden kondens.
- Anbring enheden i et tørt og veludluftet miljø.
- Enheden må IKKE udsættes for kraftigt elektromagnetisk stråling eller støvfylde miljøer.
- Objektivet må IKKE rettes mod solen eller et stærkt lys.
- Når der er et laserudstyr i brug, skal det kontrolleres, at enhedens objektiv ikke udsættes for laserstrålen, ellers kan det brænde ud.

#### Nødsituation

Hvis enheden afgiver røg, lugt eller støj, skal du straks slukke for strømmen og trække strømkablet ud. Kontakt derefter servicecentret.

#### Producentens adresse

Værelse 313, Enhed B, Bygning 2, 399 Danfeng Vej, Xixing Underdistrikt, Binjiang Distrikt, Hangzhou, Zhejiang 310052, Kina  
Hangzhou Microimage Software Co., Ltd.

MEDDELELSE OM OVERENSSTEMMELSE: Produkterne i den termografiske serie kan være underlagt eksportkontrol i forskellige lande eller områder, herunder, uden begrænsning, USA, EU, Storbritannien og/eller andre medlemslande i Wassenaar-aftalen. Kontakt din professionelle juraekspert, ekspert i overensstemmelse eller de lokale offentlige myndigheder for at få oplysninger om kravene for eksportlicens, hvis du har til hensigt at overføre, eksportere eller geneksportere enheder i den termiske serie mellem forskellige lande.

**Norsk**

#### Juridisk informasjon

#### JURIDISK INFORMASJON

DENNE HÅNDBOKEN OG PRODUKTET DEN GJELDER FOR (MASKINVARE, FASTVARE OG PROGRAMVARE) LEVERES «SOM DE ER», INKLUDERT ALLE FEIL OG MANGLER, I DEN GRAD DETTE TILLATES AV GJELDENDE LOVVERK. HIKMICRO GIR INGEN GARANTIER, HVERKEN DIREKTE ELLER UNDERFORSTÅTTE, OM BLANT ANNET

SALGBARHET, TILFREDSSTILLENDE KVALITET ELLER EGNETHET FOR SPESIFIKKE FORMÅL. ALL BRUK AV PRODUKTET SKJER UTELUKKENDE PÅ DIN EGEN RISIKO. HIKMICRO ER IKKE UNDER NOEN OMSTENDIGHETER ANSVARLIGE OVERFOR DEG FOR EVENTUELLE SPESIELLE SKADER. FØLGESKADER, TILFELDIGE SKADER ELLER INDIREKTE SKADER, INKLUDERT BLANT ANNET TAP AV FORTJENESTE, AVBRUDD I FORRETNINGSDRIFT, TAP AV DATA, SKADER PÅ DATASYSTEMER ELLER TAP AV DOKUMENTASJON SOM OPPSTÅR I FORBINDELSE MED BRUKEN AV DETTE PRODUKTET, UAVHENGIG AV OM DETTE SKJER GRUNNET KONTRAKTSBRUDD, FORSØMMELSE, PRODUKTFEIL ELLER ANNET, SELV NÅR HIKMICRO HAR BLITT VARSLET OM AT SLIKE SKADER KAN OPPSTÅ.

DU ERKJENNER AT SIKKERHETSRIKIKOER LIGGER I INTERNETTS NATUR, OG AT HIKMICRO IKKE TAR NOE ANSVAR FOR UNORMAL DRIFT, LEKKASJER AV PERSONVERN ELLER ANDRE SKADER SOM FØLGER AV CYBERANGREP, VIRUSINFISERING ELLER ANDRE INTERNETTRISIKOER. IMIDLERTID VIL HIKMICRO LEVERER TIDLIG TEKNISK SUPPORT HVIS NØDVENDIG. DU GODTAR Å BRUKE DETTE PRODUKTET I SAMSVAR MED ALLE GJELDENDE LOVER, OG AT DU ER ENEANSVARLIG FOR Å FORSIKRE DEG OM AT DIN BRUK SKJER I SAMSVAR MED GJELDENDE LOVER. SPESIFIKT NEVNES AT DU ER ANSVARLIG FOR Å BRUKE DETTE PRODUKTET PÅ EN MÅTE SOM IKKE KRENKER RETTIGHETENE TIL TREDJEPARTER, BLANT ANNET RETT TIL PUBLISERING, IMMATERIELLE EIENDOMSRETTIGHETER ELLER LOVER OM DATABESKYTTELSE OG PERSONVERN. DU MÅ IKKE BRUKE DETTE PRODUKTET TIL ULOVLIG JAKT PÅ DYR, BRUDD PÅ PRIVATLIVETS FRED ELLER ANDRE FORMÅL SOM ER ULOVLIGE ELLER STRIDER MOT OFFENTLIGHETENS INTERESSER. DU SKAL IKKE BRUKE PRODUKTET TIL ULOVLIGE FORMÅL, SÅNN SOM UTVIKLING ELLER PRODUKSJON AV MASSEØDELEGGELSESVÅPEN, UTVIKLING ELLER PRODUKSJON AV KJEMISKE OG BIOLOGISKE VÅPEN, ENHVER FORM FOR AKTIVITET KNYTTET TIL KJERNEVÅPEN ELLER UTRYGG BRUK AV KJERNEFYSISK MATERIALE ELLER I FORBINDELSE MED BRUDD PÅ MENNESKERETTIGHETENE.

OVERHOLD ALLE FORBUD OG PÅBUD I ALLE GJELDENDE LOVER OG REGLER, SPESIELT LOKALE LOVER FOR VÅPEN OG/ELLER JAKT. GJØR DEG ALLTID KJENT MED NASJONALE REGLER OG KRAV FØR DU KJØPER ELLER BRUKER DETTE PRODUKTET. DET KAN VÆRE NØDVENDIG Å SØKE OM TILLATELSER, SERTIFIKATER OG/ELLER LISENSER FØR DU KJØPER, SELGER, MARKEDSFØRER OG/ELLER BRUKER DETTE PRODUKTET. HIKMICRO ER IKKE ANSVARLIG FOR ULOVLIG ELLER UPASSENDE KJØP, SALG, MARKEDSFØRING OG/ELLER BRUK AV PRODUKTET, OG HELLER IKKE ANSVARLIG FOR EVENTUELLE SPESIELLE SKADER, FØLGESKADER, TILFELDIGE SKADER ELLER INDIREKTE SKADER SOM OPPSTÅR GRUNNET DETTE. HVIS DET OPPSTÅR KONFLIKTER MELLOM BRUKERHÅNDBOKEN OG GJELDENDE LOVVERK, ER DET SISTNEVNTE SOM GJELDER.

---

**Disse klausulene gjelder kun for produktene med det samsvarende merket eller informasjonen.**

---

#### Samsvarserklæring for EU



Dette produktet – og hvis aktuelt, også det medfølgende tilbehøret – er «CE»-merket og samsvarer derfor med de gjeldende harmoniserte europeiske standardene som er oppført under direktiv 2014/30/EU (EMCD), direktiv 2014/35/EU (LVD), direktiv. 2011/65/EU (RoHS).



Direktiv 2012/19/EU (WEEE-direktiv): Produkter som er merket med dette symbolet kan ikke kastes som restavfall i EU. Produktet skal returneres for

resirkulering, enten til en forhandler/leverandør eller på en miljøstasjon eller et lignende, godkjent mottakssted. For mer informasjon, se [www.recyclethis.info](http://www.recyclethis.info).

#### Sikkerhetsinstrukser

Formålet med disse instruksjonene er at brukeren skal kunne bruke produktet riktig for å unngå skade og tap av eiendom.

#### Lover og forskrifter

Bruk av produktet må være i fullstendig samsvar med lokale sikkerhetsregulering for elektrisitet.

#### Strømforsyning

● Inngangsspenningen til enheten må oppfylle Limited Power Source (5 VDC, 2 A) i samsvar med IEC61010-1 standarden. Se de faktiske produktene og tekniske spesifikasjoner for detaljert informasjon.

#### Transport

- Enheten skal oppbevares i den originale emballasjen (eller lignende) under transport.
- Oppbevar all emballasje etter åpning for fremtidig bruk. I tilfelle det oppstår feil, må du returnere enheten til fabrikken i den originale emballasjen.
- Transport uten den originale emballasjen kan føre til skader på enheter, et ansvar som ikke dekkes av selskapet.
- Produktet må ikke slippes i bakken eller utsettes for fysiske støt. Hold enheten borte fra magnetiske forstyrrelser.

#### Vedlikehold

- Hvis produktet ikke fungerer som det skal, må du kontakte forhandleren eller nærmeste servicesenter. Vi har ikke noe som helst ansvar for problemer forbundet med uautorisert reparasjon eller vedlikehold.
- Tørk forsiktig av enheten med en ren klut og en liten mengde etanol ved behov.
- Hvis enheten brukes på måter som ikke støttes av produsenten, kan enheten og funksjonene dens forringes.
- Rengjør dekslet med en myk, tørr klut eller tørkepapir for å unngå riper.

#### Bruksomgivelser

- Sørg for at bruksomgivelsene oppfyller kravene til enheten. Brukstemperaturen skal være mellom -10 °C og 50 °C (14 °F til 122 °F), og luftfuktigheten skal være 95 % eller mindre, uten kondens.
- Plasser enheten i et tørt og godt ventilert miljø.
- IKKE eksponer enheten for høy elektromagnetisk stråling eller støvete miljøer.
- Linsen må IKKE rettes mot solen eller andre sterke lyskilder.
- Når laserutstyr er i bruk, må det sørges for at enhetens linse ikke eksponeres for laserstrålen for å unngå at den brenner ut.

#### Nød

Hvis det kommer røyk, lukt eller støy fra enheten, må du øyeblikkelig skru av strømmen, trekke ut strømledningen og kontakte et servicesenter.

#### Produsentens adresse

Rom 313, enhet B, bygning 2, 399 Danfeng-veien, Xixing Subdistrict, Binjiang-distriktet, Hangzhou, Zhejiang 310052, Kina  
Hangzhou Microimage Software Co., Ltd.

MERKNAD OM SAMSVAR: Produktene i termoserien kan bli underlagt eksportkontroller i forskjellige land eller regioner, inkludert, uten begrensning, USA, Den europeiske union, Storbritannia og Nord-Irland og/eller andre medlemsland i Wassenaar-avtalen. Snakk med din profesjonelle juridiske ekspert eller samsvarseksperter, eller lokale myndigheter for eventuelle nødvendige eksportlisenskrav hvis du ønsker å overføre, eksportere, re-eksportere termoserie-produkter mellom forskjellige land.

**Oikeudelliset tiedot****VASTUUVAPAUSLAUSEKE**

TÄMÄ KÄYTTÖOPAS JA KUVATTU TUOTE (SISÄLTÄÄ LAITTEISTON, OHJELMISTON JA LAITEOHJELMISTON) TOIMITETAAN SELLAISENAAN KAIKKINE VIKOINEEN JA VIRHEINEEN SIINÄ MÄÄRIN KUIN SOVELLETTAVAT LAITSEN SALLIVAT. HIKMICRO EI ANNA MITÄÄN NIMEENOMAISIA TAI EPÄSUORIA TAKUITA, MUKAAN LUKIEN NÄIHIN KUITENKAAN RAJOITTUMATTA, MYYNTIKELPOISUUS, TYYDYTTÄVÄ LAATU TAI SOVELTUUVUUS TIETTYYN KÄYTTÖTARKOITUKSEEN. TUOTTEEN KÄYTTÖ ON TÄYSIN OMALLA VASTUULLASI. HIKMICRO EI OLE MISSÄÄN TAPAUKSESSA VASTUUSSA SINULLE MISTÄÄN TUOTTEEN KÄYTTÄMISEEN LIITTYVISTÄ ERITYISISTÄ, SEURAAMUKSELLISISTA, TAHATTOMISTA TAI EPÄSUORISTA VAHINGOISTA, MUKAAN LUKIEN MUIDEN LISÄKSI LIIKETOIMINNAN TUOTON MENETTÄMINEN, LIIKETOIMINNAN KESKEYTYMINEN, TIETOJEN MENETTÄMINEN, JÄRJESTELMIEN VAHINGOITTUMINEN, DOKUMENTAATION MENETTÄMINEN, RIIPPUMATTA SIITÄ, ONKO KYSEESSÄ SOPIMUSRIKKOMUS, VAHINKO (MUKAAN LUKIEN HUOLIMATTOMUUS), TUOTEVASTUU TAI MUU, VAIKKA HIKMICROLLE OLISI ILMOITETTU NÄIDEN VAHINKOJEN TAI MENETYSTEN MAHDOLLISUUDESTA. HYVÄKSYT, ETTÄ INTERNET SISÄLTÄÄ LUONNOSTAAN TIETOTURVARISKEJÄ, EIKÄ HIKMICRO OLE VASTUUSSA EPÄNORMAALISTA TOIMINNASTA, YKSITYISTIETOJEN VUOTAMISESTA TAI MUISTA VAHINGOISTA, JOTKA JOHTUVAT TIETOVERKKOHYÖKKÄYKSISTÄ, HAKKERIHYÖKKÄYKSISTÄ, VIRUSTARTUNNASTA TAI MUISTA TIETOTURVARISKEISTÄ, MUTTA HIKMICRO TARJOAA TARVITTAESSA TEKNISET TUKEA. SUOSTUT KÄYTTÄMÄÄN TÄTÄ TUOTETTA KAIKKIEN SOVELLETTAVISSA OLEVIA LAKIEN MUKAISESTI, JA OLET YKSIN VASTUUSSA SEN VARMISTAMISESTA, ETTÄ KÄYTTÖSI NOUDATTA SOVELLETTAVISSA OLEVAA LAKIA. OLET ERITYISESTI VASTUUSSA TÄMÄN TUOTTEEN KÄYTTÄMISESTÄ SELLAISELLA TAVALLA, ETTÄ KÄYTTÖ EI RIKO KOLMANSIEN OSAPUOLTEN OIKEUKSIA, MUKAAN LUKIEN MUTTA NÄIHIN RAJOITTUMATTA, JULKAISUOIKEUS, IMMATERIAALIOIKEUDET TAI TIETOSUOJA JA MUUT YKSITYISYYDEN SUOJAT. SINULLA EI OLE LUPAA KÄYTTÄÄ TÄTÄ LAITETTA LAITTOOMAAN METSÄSTYKSEEN, YKSITYISYYDEN LOUKKAAMISEEN TAI MUIHIN LAITTOIMIIN TAI HAITALLISESTI YLEISEEN ETUUN VAIKUTTAVIIN TARKOITUKSIIN. SINULLA EI OLE LUPAA KÄYTTÄÄ TÄTÄ TUOTETTA MIHINKÄÄN KIELLETTYYN TARKOITUKSEEN, MUKAAN LUKIEN JOUKKOTUHOASEIDEN KEHITYS TAI TUOTANTO, KEMIALLISTEN TAI BIOLOGISTEN ASEIDEN KEHITYS TAI TUOTANTO TAI MIHINKÄÄN TOIMINTOIHIN, JOTKA LIITTYVÄT MIHINKÄÄN YDINASEESEEN TAI VAARALLISEEN YDINPOLTTOAINEKIERTOON TAI IHMISOIKEUKSIEN RIKKOMISEN TUKEMISEEN. NOUDATA KAIKKIA SOVELLETTAVIEN LAKIEN JA MÄÄRÄYSTEN, ERITYISESTI PAIKALLISTEN TULIASEITA JA/TAI METSÄSTYSTÄ KOSKEVIA LAKIEN JA MÄÄRÄYSTEN, KIELTOJA JA POIKKEUSHUOMAUTUKSIA. TARKISTA AINA KANSALLISET SÄÄNNÖKSET JA MÄÄRÄYKSET ENNEN TÄMÄN TUOTTEEN OSTOA TAI KÄYTTÖÄ. HUOMIOI, ETTÄ SINUN ON EHKÄ HAETTAVA LUPA, TODISTUKSIA JA/TAI LISENSSEJÄ ENNEN TUOTTEEN OSTOA, MYYMISTÄ, MARKKINOINTIA JA/TAI KÄYTTÖÄ. HIKMICRO EI VASTAA MISTÄÄN LAITTOIMASTA TAI EPÄASIANMUKAISESTA OSTAMISESTA, MYYMISESTÄ, MARKKINOINNISTA TAI LOPPUKÄYTTÖSTÄ EIKÄ MISTÄÄN SIITÄ JOHTUVASTA ERITYISESTÄ, SEURAUKSELLISESTA, SATUNNAISESTA TAI EPÄSUORASTA VAHINGOSTA. MIKÄLI TÄMÄ KÄYTTÖOPAS JA SOVELLETTAVA LAKI OVAT RISTIRIIDASSA, SOVELLETAAN JÄLKIMMÄISTÄ.

Näitä lausekkeita sovelletaan ainoastaan tuotteisiin, joissa on vastaava merkki tai tieto.

**EU-vaatimustenmukaisuusvakuutus**

Tämä tuote ja mahdolliset lisävarusteet on merkitty CE-merkinnällä ja noudattavat sovellettavia yhdenmukaistettuja eurooppalaisia standardeja, jotka on luoteltu direktiivissä 2014/30/EU (EMCD), direktiivissä 2014/35/EU (LVD) ja direktiivissä 2011/65/EU (RoHS).



Direktiivi 2012/19/EU (WEEE-direktiivi): Tällä symbolilla merkityjä tuotteita ei saa hävittää lajittelemattoman yhdyskuntajätteen mukana Euroopan unionissa. Kierrätä tuote asianmukaisesti palauttamalla se paikalliselle myyjälle vastaavan uuden laitteen hankkimisen yhteydessä tai viemällä se asianmukaiseen keräyspisteeseen. Lisätietoja on osoitteessa: [www.recyclethis.info](http://www.recyclethis.info).

**Turvallisuusohjeet**

Näiden ohjeiden tarkoituksena on varmistaa, että käyttäjä voi käyttää laitetta oikein ja välttää vaaratilanteet tai omaisuusvahingot.

**Lait ja määräykset**

Tuotteen käytössä on noudatettava tarkasti paikallisia sähköturvallisuusmääräyksiä.

**Virtalähde**

● Laitteen tulojännitteen on vastattava LPS-virtalähteelle (5 V DC, 2 A) asetettuja vaatimuksia IEC61010-1-standardin mukaisesti. Katso tarkat tiedot varsinaisista tuotteista ja teknisistä tiedoista.

**Kuljetus**

- Säilytä laitetta alkuperäispakkauksessaan tai sitä vastaavassa pakkauksessa, kun kuljetat sitä.
- Säilytä kaikki pakkaukset myöhempiä käyttöä varten. Jos laitteeseen tulee vika, laite on palautettava tehtaalte alkuperäispakkauksessaan.
- Kuljettaminen muussa kuin alkuperäispakkauksessa voi johtaa laitteen vahingoittumiseen, eikä yritys ota siitä mitään vastuuta.
- Älä pudota tuotetta tai altista sitä iskuille. Pidä laite loitolla magneettisten häiriöiden lähteistä.

**Kunnossapito**

- Jos tuote ei toimi oikein, ota yhteys jälleenmyyjään tai lähimpään huoltokeskukseen. Emme ole vastuussa ongelmista, jotka johtuvat luvattomista korjaus- tai huoltotoista.
- Pyyhi laitteen pinnat varovaisesti puhtaalla liinalla ja tarvittaessa pienellä määrällä etanolia.
- Jos laitetta käytetään muulla kuin valmistajan määrittämällä tavalla, laitteen tarjoama suojaus saattaa heikentyä.
- Puhdista linssi pehmeällä ja kuivalla liinalla tai puhdistuspaperilla naarmuttamisen välttämiseksi.

**Käyttöympäristö**

- Varmista, että käyttöympäristö täyttää laitteelle määritetyt vaatimukset. Käyttölämpötila on  $-10\text{ °C}$  –  $50\text{ °C}$  ( $14\text{ °F}$  –  $122\text{ °F}$ ), ja käyttöympäristön ilmankosteus saa olla enintään 95 %, ei kondensoituvaa.
- Sijoita laite kuivaan ja hyvin ilmastoituun paikkaan.
- ÄLÄ altista laitetta suurelle sähkömagneettiselle säteilylle tai pölyiselle ympäristölle.
- ÄLÄ suuntaa objektiivia aurinkoon tai muuhun kirkkaaseen valoon.
- Kun laserlaitetta käytetään, varmista, ettei lasersäde osu laitteen kennoon. Muussa tapauksessa kenno voi palaa.

**Hätä**

Jos laitteesta erittyy savua tai hajua tai laite pitää ääntä, kytke laitteen virta pois päältä, irrota virtajohto ja ota yhteyttä palvelukeskukseen.

**Valmistajan osoite**



Huone 313, yksikkö B, rakennus 2, 399 Danfeng-tie,  
Xixing-alapiirikunta, Binjiang-piirikunta, Hangzhou,  
Zhejiang 310052, Kiina  
Hangzhou Microimage Software Co., Ltd.

#### VAATIMUSTENMUKAISUUSILMOITUS:

Lämpöteknologiatuotteisiin saattaa kohdistua vientivalvontaa eri maissa tai alueilla, mukaan lukien rajoituksetta Yhdysvallat, Euroopan unioni, Yhdistynyt kuningaskunta ja/tai muut Wassenarin järjestelyn jäsenmaat. Neuvottele oikeudellisen asiantuntijan tai vaatimustenmukaisuusasiantuntijan tai paikallisen viranomaisen kanssa saadaksesi tietoja vientilupavaatimuksista, jos aiot siirtää, viedä tai jälleenviedä lämpöteknologiatuotteita eri maihin.

**Svenska**

#### Juridisk information

##### JURIDISK FRISKRIVNING

BRUKSANVISNINGEN OCH DEN PRODUKT SOM BESKRIVS, MED DESS HÅRDVARA, MJUKVARA OCH FIRMWARE TILLHANDAHÅLLES "I BEFINTLIGT SKICK" OCH "MED ALLA FEL OCH BRISTER" SÅ LÅNGT DETTA ÄR TILLÅTET ENLIGT TILLÄMPLIG LAGSTIFTNING. HIKMICRO UTFÄRDAR INGA GARANTIER, VARKEN UTTRYCKLIGA ELLER UNDERFÖRSTÅDDA, INKLUSIVE UTAN BEGRÄNSNING, FÖR SÄLJBARHET, TILLFREDSSTÄLLANDE KVALITET ELLER LÄMPLIGHET FÖR ETT VISST ÄNDAMÅL. ANVÄNDNING AV PRODUKTEN SKER HELT PÅ EGEN RISK. DU SKA INTE UNDER NÅGRA OMSTÄNDIGHETER HÅLLA HIKMICRO ANSVARIGT FÖR EVENTUELLA SÄRSKILDA SKADOR, FÖLJDSKADOR, OAVSIKTLIGA SKADOR ELLER INDIREKTA SKADOR, INKLUSIVE BLAND ANNAT SKADESTÅND FÖR FÖRLORAD AFFÄRSVINST, VERKSAMHETSSTÖRNING, FÖRLUST AV DATA ELLER DOKUMENTATION, ELLER SYSTEMSKADA, OAVSETT OM DETTA BASERAS PÅ AVTALSBROTT, ÅTALBAR HANDLING (INKLUSIVE FÖRSUMLIGHET), PRODUKTANSVAR ELLER ANNAT I SAMBAND MED ANVÄNDNINGEN AV PRODUKTEN, ÄVEN OM HIKMICRO HAR MEDDELATS ATT RISKEN FÖR SÅDANA SKADOR ELLER FÖRLUSTER FÖRELIGGER. DU BEKRÄFTAR ATT INTERNETS NATUR INNEBÄR INBYGGDA SÄKERHETSRISKER OCH HIKMICRO TAR INGET ANSVAR FÖR ONORMAL ANVÄNDNING, INTEGRITETSLÄCKOR ELLER ANDRA SKADOR SOM ORSAKAS AV CYBERATTACKER, HACKERATTACKER, VIRUSANGREPP ELLER ANDRA SÄKERHETSRISKER MED INTERNET. HIKMICRO KOMMER DOCK ATT TILLHANDAHÅLLA LÄMPLIG TEKNISK SUPPORT OM SÅ KRÄVS.

DU ACCEPTERAR ATT ANVÄNDA PRODUKTEN I ENLIGHET MED ALLA TILLÄMPLIGA LAGAR OCH DU ÄR ENSAMT ANSVARIG FÖR ATT SÄKERSTÄLLA ATT DIN ANVÄNDNING EFTERLEVER TILLÄMPLIGA LAGAR. DU ÄR I SYNNERHET ANSVARIG FÖR ATT ANVÄNDA PRODUKTEN PÅ ETT SÅDANT SÄTT ATT DEN INTE INKRÄKTAR PÅ NÅGRA RÄTTIGHETER SOM ÄGS AV TREDJE PART, INKLUSIVE UTAN BEGRÄNSNING, RÄTTEN TILL PUBLICERING, IMMATERIELLA RÄTTIGHETER, SAMT DATASKYDD OCH ANDRA INTEGRITETS RÄTTIGHETER. DU FÅR INTE ANVÄNDA PRODUKTEN FÖR ILLEGAL JAKT AV DJUR, INTEGRITETSKRÄNKNING ELLER ANDRA ÄNDAMÅL SOM ÄR OLAGLIGA ELLER SKADLIGA FÖR ALLMÄNNA INTRESSEN. DU FÅR INTE ANVÄNDA PRODUKTEN FÖR NÅGRA FÖRBJUDNA SLUTANVÄNDNINGAR, INKLUSIVE UTVECKLING ELLER PRODUKTION AV MASSFÖRSTÖRELSEVAPEN, UTVECKLING ELLER PRODUKTION AV KEMISKA ELLER BIOLOGISKA STRIDSMEDEL, ELLER NÅGRA AKTIVITETER SOM ÄR RELATERADE TILL NUKLEÄRA SPRÄNGMEDEL ELLER OSÄKRA NUKLEÄRA BRÄNSLECYKLER, ELLER SOM STÖD FÖR ÖVERGREPP AV MÄNSKLIGA RÄTTIGHETER. FÖLJA ALLA FÖRBUD OCH EXCEPTIONELLA VARNINGAR GÄLLANDE ALLA TILLÄMPLIGA LAGAR OCH BESTÄMMELSER, I SYNNERHET LOKALA LAGAR

RÖRANDE VAPEN OCH/ELLER JAKT. KONTROLLERA ALLTID NATIONELLA VILLKOR OCH BESTÄMMELSER FÖRE KÖP ELLER ANVÄNDNING AV PRODUKTEN. OBSERVERA ATT DU KAN BEHÖVA ANSÖKA OM TILLSTÅND, CERTIFIKAT OCH/ELLER LICENSER FÖRE EVENTUELLT KÖP, FÖRSÄLJNING, MARKNADSFÖRING OCH/ELLER ANVÄNDNING AV PRODUKTEN. HIKMICRO KAN INTE HÅLLAS ANSVARIGA FÖR SÅDANT ILLEGALT ELLER OLÄMPLIGT KÖP, FÖRSÄLJNING, MARKNADSFÖRING ELLER SLUTANVÄNDNING OCH EVENTUELLA SÄRSKILDA SKADOR, FÖLJDSKADOR, OAVSIKTLIGA SKADOR ELLER INDIREKTA SKADOR SOM UPPSTÅR DÄRAV. I DE FALL INNEHÅLLET I BRUKSANVISNINGEN STÅR I KONFLIKT MED TILLÄMPLIGA LAGAR, GÄLLER DE SISTNÄMNDNA.

**Dessa villkor gäller endast för de produkter som är försedda med motsvarande märke eller information.**

#### Deklaration om EU-överensstämmelse



Den här produkten och, om tillämpligt, även de medföljande tillbehören är CE-märkta och överensstämmer därför med harmoniserade europeiska standarder i direktivet 2014/30/EU (EMC), direktivet 2014/35/EU (LVD) och direktivet 2011/65/EU (RoHS).



Direktiv 2012/19/EU (WEEE-direktivet): Produkter märkta med denna symbol får inte avfallshanteras som osorterat hushållsavfall inom EU. Produkten ska återlämnas till din lokala återförsäljare för korrekt återvinning, vid inköp av motsvarande ny utrustning, eller lämnas in på en särskild återvinningsstation. För ytterligare information se: [www.recyclethis.info](http://www.recyclethis.info).

#### Säkerhetsanvisningar

Anvisningarna är avsedda att säkerställa att användaren kan använda produkten på korrekt sätt för att undvika fara eller förlust av egendom.

#### Lagar och bestämmelser

Användningen av produkten måste följa lokala bestämmelser rörande elsäkerhet.

#### Strömförsörjning

● Enhetens inspanning måste uppfylla kraven för en begränsad strömkälla (5 VDC, 2 A) enligt standarden IEC61010-1. Se den faktiska produktens tekniska specifikationer för detaljerad information.

#### Transport

- Förvara enheten i ursprungsförpackningen eller en liknande förpackning vid transport.
- Behåll allt förpackningsmaterial efter upppackningen för framtida bruk. Vid eventuella fel måste du returnera enheten till fabriken med det ursprungliga förpackningsmaterialet.
- Transport utan det ursprungliga förpackningsmaterialet kan medföra att enheten skadas och företaget åtar sig inget ansvar för detta.
- Produkten får INTE tappas eller utsättas för fysiska stötar. Håll enheten på avstånd från magnetiska störningar.

#### Underhåll

- Kontakta din återförsäljare eller närmaste servicecenter, om produkten inte fungerar som den ska. Vi åtar oss inget ansvar för problem som orsakats av obehörig reparation eller obehörigt underhåll.
- Torka försiktigt av enheten med en ren trasa och en liten mängd etanol, vid behov.
- Om utrustningen används på ett sätt som inte anges av tillverkaren kan det skydd som ges av enheten försämrats.
- Rengör objektivet med en mjuk och torr trasa eller papper för att undvika att repa det.

#### Användningsmiljö

- Se till att användningsmiljön motsvarar enhetens krav. Driftstemperaturen måste ligga mellan -10 °C och 50 °C, och luftfuktigheten vid användning måste vara lägre än 95 %, icke kondenserande.
- Placera enheten i en torr miljö med god ventilation.
- Enheten FÅR INTE utsättas för kraftig elektromagnetisk strålning eller dammiga miljöer.
- Objektivitet får INTE riktas mot solen eller andra starka ljuskällor.
- Om någon laserutrustning används, måste du se till att enhetens objektiv inte exponeras för laserstrålen, då detta kan medföra att objektivitet bränns sönder.

#### Nödsituation

Stäng omedelbart av strömmen, koppla ur strömkabeln och kontakta servicecentret, om det kommer rök, lukt eller ljud från enheten.

#### Tillverkarens adress

Rum 313, Enhet B, Byggnad 2, 399 Danfengvägen, Underdistriktet Xixing, Distriktet Binjiang, Hangzhou, Zhejiang 310052, Kina  
Hangzhou Microimage Software Co., Ltd.

FÖRSÄKRAN OM ÖVERENSSTÄMMELSE: Produkter i den termiska serien kan vara föremål för exportkontroller i olika länder eller regioner, inklusive utan begränsning, USA, Europeiska unionen, Storbritannien och/eller andra länder som skrivit under Wassenaar-avtalet. Rådgör med en professionell juridisk konsult, en expert på regelefterlevnad eller lokala myndigheter avseende krav på exportlicenser om du har för avsikt att överföra, exportera eller vidareexportera produkter i den termiska serien mellan olika länder.

## Русский


#### Нормативно-правовая информация


**ЗАЯВЛЕНИЕ ОБ ОГРАНИЧЕНИИ ОТВЕТСТВЕННОСТИ** В МАКСИМАЛЬНОЙ СТЕПЕНИ, РАЗРЕШЕННОЙ ДЕЙСТВУЮЩИМ ЗАКОНОДАТЕЛЬСТВОМ, ДАННОЕ РУКОВОДСТВО И ОПИСАНИЕ ИЗДЕЛИЯ ВМЕСТЕ С АППАРАТНОЙ ЧАСТЬЮ, ПРОГРАММНЫМ ОБЕСПЕЧЕНИЕМ И ВСТРОЕННОЙ МИКРОПРОГРАММОЙ ПРЕДОСТАВЛЯЮТСЯ ПО ПРИНЦИПУ «КАК ЕСТЬ» И «СО ВСЕМИ НЕПОЛАДКАМИ И ОШИБКАМИ». НИКМИСРО НЕ ДАЕТ НИКАКИХ ЯВНЫХ ИЛИ ПОДРАЗУМЕВАЕМЫХ ГАРАНТИЙ, В ТОМ ЧИСЛЕ ГАРАНТИЙ ТОВАРНОЙ ПРИГОДНОСТИ, УДОВЛЕТВОРИТЕЛЬНОГО КАЧЕСТВА ИЛИ ПРИГОДНОСТИ ДЛЯ КОНКРЕТНЫХ ЦЕЛЕЙ. ПОТРЕБИТЕЛЬ ИСПОЛЬЗУЕТ ИЗДЕЛИЕ НА СВОЙ СТРАХ И РИСК. НИ ПРИ КАКИХ ОБСТОЯТЕЛЬСТВАХ КОМПАНИЯ НИКМИСРО НЕ НЕСЕТ ОТВЕТСТВЕННОСТИ ПЕРЕД ПОТРЕБИТЕЛЕМ ЗА КАКОЙ-ЛИБО СЛУЧАЙНЫЙ ИЛИ КОСВЕННЫЙ УЩЕРБ, ВКЛЮЧАЯ, СРЕДИ ПРОЧЕГО, УБЫТКИ ИЗ-ЗА ПОТЕРИ ПРИБЫЛИ, ПЕРЕРЫВОВ В ДЕЯТЕЛЬНОСТИ, ПОТЕРИ ДАННЫХ ИЛИ ДОКУМЕНТАЦИИ, ПОВРЕЖДЕНИЯ СИСТЕМ, БУДЬ ТО ПО ПРИЧИНЕ НАРУШЕНИЯ ДОГОВОРА, ПРОТИВОПРАВНЫХ ДЕЙСТВИЙ (В ТОМ ЧИСЛЕ ХАЛАТНОСТИ), УЩЕРБА ВСЛЕДСТВИЕ ИСПОЛЬЗОВАНИЯ ИЗДЕЛИЯ ИЛИ ИНОГО В СВЯЗИ С ИСПОЛЬЗОВАНИЕМ ДАННОГО ИЗДЕЛИЯ, ДАЖЕ ЕСЛИ КОМПАНИИ НИКМИСРО БЫЛО ИЗВЕСТНО О ВОЗМОЖНОСТИ ТАКОГО УЩЕРБА. ПОТРЕБИТЕЛЬ ОСОЗНАЕТ, ЧТО ИНТЕРНЕТ ПО СВОЕЙ ПРИРОДЕ ЯВЛЯЕТСЯ ИСТОЧНИКОМ ПОВЫШЕННОГО РИСКА БЕЗОПАСНОСТИ И КОМПАНИЯ НИКМИСРО НЕ НЕСЕТ ОТВЕТСТВЕННОСТИ ЗА СБОИ В РАБОТЕ ОБОРУДОВАНИЯ, УТЕЧКУ ИНФОРМАЦИИ И ДРУГОЙ УЩЕРБ, ВЫЗВАННЫЙ КИБЕРАТАКАМИ, ХАКЕРАМИ, ВИРУСАМИ ИЛИ СЕТЕВЫМИ УГРОЗАМИ; ОДНАКО НАША КОМПАНИЯ ОБЕСПЕЧИВАЕТ СВОЕВРЕМЕННУЮ ТЕХНИЧЕСКУЮ ПОДДЕРЖКУ, ЕСЛИ ЭТО НЕОБХОДИМО. ПОТРЕБИТЕЛЬ СОГЛАШАЕТСЯ ИСПОЛЬЗОВАТЬ ДАННОЕ ИЗДЕЛИЕ В СООТВЕТСТВИИ СО ВСЕМИ

ПРИМЕНИМЫМИ ЗАКОНАМИ И НЕСЕТ ЛИЧНУЮ ОТВЕТСТВЕННОСТЬ ЗА ИХ СОБЛЮДЕНИЕ. В ЧАСТНОСТИ, ПОТРЕБИТЕЛЬ НЕСЕТ ОТВЕТСТВЕННОСТЬ ЗА ИСПОЛЬЗОВАНИЕ ДАННОГО ИЗДЕЛИЯ БЕЗ НАРУШЕНИЯ ПРАВ ТРЕТЬИХ ЛИЦ, В ТОМ ЧИСЛЕ ПРАВ НА ПУБЛИЧНОСТЬ, ИНТЕЛЛЕКТУАЛЬНУЮ СОБСТВЕННОСТЬ И ЗАЩИТУ ДАННЫХ И ДРУГИХ ПРАВ НА СОХРАНЕНИЕ КОНФИДЕНЦИАЛЬНОСТИ. ВЫ НЕ БУДЕТЕ ИСПОЛЬЗОВАТЬ ДАННЫЙ ПРОДУКТ В ЦЕЛЯХ БРАКОНЬЕРСТВА, ВТОРЖЕНИЯ, ЧАСТНУЮ ЖИЗНЬ ИЛИ ЛЮБЫХ ДРУГИХ ЦЕЛЕЙ, КОТОРЫЕ ЯВЛЯЮТСЯ НЕЗАКОННЫМИ ИЛИ ПРОТИВОРЕЧАТ ОБЩЕСТВЕННЫМ ИНТЕРЕСАМ. ПОТРЕБИТЕЛЬ ОБЯЗУЕТСЯ НЕ ИСПОЛЬЗОВАТЬ ЭТО ИЗДЕЛИЕ В ЗАПРЕЩЕННЫХ ЦЕЛЯХ, В ТОМ ЧИСЛЕ ДЛЯ РАЗРАБОТКИ ИЛИ ПРОИЗВОДСТВА ОРУЖИЯ МАССОВОГО УНИЧТОЖЕНИЯ, ХИМИЧЕСКОГО ИЛИ БИОЛОГИЧЕСКОГО ОРУЖИЯ, ОСУЩЕСТВЛЕНИЯ КАКОЙ-ЛИБО ДЕЯТЕЛЬНОСТИ В КОНТЕКСТЕ ЯДЕРНОГО ОРУЖИЯ, НЕБЕЗОПАСНЫХ ОПЕРАЦИЙ С ЯДЕРНЫМ ТОПЛИВОМ ИЛИ ДЛЯ ПОДДЕРЖКИ НАРУШЕНИЙ ПРАВ ЧЕЛОВЕКА. СОБЛЮДАЙТЕ ВСЕ ЗАПРЕТЫ И ИСКЛЮЧИТЕЛЬНЫЕ ОГОВОРКИ ВСЕХ ПРИМЕНИМЫХ ЗАКОНОВ И ПРАВИЛ, В ЧАСТНОСТИ, МЕСТНЫХ ЗАКОНОВ И ПРАВИЛ, ОТНОСЯЩИХСЯ К ОГНЕСТРЕЛЬНОМУ ОРУЖИЮ И/ИЛИ ОХОТЕ. ПЕРЕД ПОКУПКОЙ И ИСПОЛЬЗОВАНИЕМ ЭТОГО ИЗДЕЛИЯ ОЗНАКОМЬТЕСЬ С ТРЕБОВАНИЯМИ НАЦИОНАЛЬНОГО ЗАКОНОДАТЕЛЬСТВА. ОБРАТИТЕ ВНИМАНИЕ, ЧТО ВАМ, ВОЗМОЖНО, ПОТРЕБУЕТСЯ ПОДАТЬ ЗАЯВЛЕНИЕ НА ПОЛУЧЕНИЕ РАЗРЕШЕНИЙ, СЕРТИФИКАТОВ И/ИЛИ ЛИЦЕНЗИЙ ПЕРЕД ПОКУПКОЙ, ПРОДАЖЕЙ, И/ИЛИ ИСПОЛЬЗОВАНИЕМ ДАННОГО ИЗДЕЛИЯ. КОМПАНИЯ НИКМИСРО НЕ НЕСЕТ ОТВЕТСТВЕННОСТИ ЗА НЕЗАКОННУЮ ИЛИ НЕСАНКЦИОНИРОВАННУЮ ПОКУПКУ, ПРОДАЖУ И ЭКСПЛУАТАЦИЮ ДАННОГО ИЗДЕЛИЯ, А ТАКЖЕ ЗА ЛЮБЫЕ ПРЯМЫЕ, КОСВЕННЫЕ И СЛУЧАЙНЫЕ УБЫТКИ, ВОЗНИКАЮЩИЕ В РЕЗУЛЬТАТЕ ТАКИХ ДЕЙСТВИЙ. В СЛУЧАЕ РАЗНОЧТЕНИЙ МЕЖДУ НАСТОЯЩИМ РУКОВОДСТВОМ И ДЕЙСТВУЮЩИМ ЗАКОНОДАТЕЛЬСТВОМ ПРИОРИТЕТ ИМЕЕТ ПОСЛЕДНЕЕ.

Данные положения применяются только в том случае, если изделие снабжено соответствующей отметкой или информацией.

#### Соответствие стандартам EU

 Настоящее изделие и аксессуары, входящие в комплект его поставки, отмечены символом «CE», который обозначает их соответствие согласованным Европейским стандартам, перечисленным в Директивах 2014/30/EU (EMCD), 2014/35/EU (LVD) и 2011/65/EU (RoHS).

 Директива WEEE 2012/19/EU (Директива об утилизации отходов электрического и электронного оборудования): изделие, отмеченные этим символом, запрещено утилизировать в Европейском союзе в качестве несортированных бытовых отходов. Для надлежащей переработки возвратите это изделие местному поставщику после покупки эквивалентного нового оборудования или утилизируйте его в предназначенных для этого пунктах сбора отходов. Для получения дополнительной информации посетите веб-сайт [www.recyclethis.info](http://www.recyclethis.info).

#### Инструкция по технике безопасности

Настоящие инструкции предназначены для того, чтобы пользователь мог правильно использовать устройство, чтобы избежать опасности или потери имущества.

### **Законодательные акты и нормативные документы**

Эксплуатация данного изделия должна выполняться в строгом соответствии с местными правилами безопасной эксплуатации электрооборудования.

### **Электропитание**

- Входное напряжение устройства должно соответствовать ограниченному источнику питания (5 В постоянного тока, 2 А) в соответствии со стандартом IEC61010-1. Подробная информация приведена в таблице технических данных конкретного изделия.

### **Транспортировка**

- Используйте оригинальную или схожую упаковку для транспортировки устройства.
- После распаковки сохраните упаковочные материалы для дальнейшего использования. В случае неисправности вам потребуется вернуть устройство на завод в оригинальной упаковке.
- Транспортировка без оригинальной упаковки может привести к повреждению устройства, и компания не будет нести за это ответственности.
- Не роняйте и не ударяйте устройство. Устройство необходимо размещать вдали от источников электромагнитных помех.

### **Техническое обслуживание**

- Если изделие не работает должным образом, обратитесь к дилеру или к специалистам ближайшего сервисного центра. Компания-изготовитель не несет ответственности за неисправности, возникшие в результате несанкционированного ремонта или технического обслуживания.
- При необходимости осторожно протрите устройство чистой салфеткой, смоченной небольшим количеством этилового спирта.
- Если оборудование используется способом, не указанным производителем, обеспечиваемая устройством безопасность может быть нарушена.
- Очищайте объектив мягкой сухой тканью или бумажной салфеткой, чтобы не поцарапать его.

### **Требования к рабочей среде**

- Убедитесь, что рабочая среда удовлетворяет требованиям надлежащей работы устройства. Рабочая температура должна быть в пределах от -10 °C до 50 °C, а рабочая влажность не должна превышать 95 % (без конденсации).
- Размещайте устройство в сухой и хорошо проветриваемой среде.
- ЗАПРЕЩАЕТСЯ устанавливать устройство в условиях воздействия сильного электромагнитного излучения или в пыльной среде.
- Не направляйте объектив устройства на солнце или другие яркие источники света.
- При использовании любого лазерного оборудования убедитесь, что в объектив устройства не попадает лазерный луч, иначе он может выгореть.

### **Кнопка подачи экстренного сигнала тревоги**

При появлении дыма, необычного запаха или шума немедленно отключите питание устройства, извлеките вилку кабеля питания из розетки и обратитесь в сервисный центр.

### **Адрес производителя**

Комната 313, помещение «В», корпус 2, 399 Danfeng Road, район Xixing, округ Binjiang, Hangzhou, Zhejiang 310052, Китай  
Компания Hangzhou Microimage Software Co., Ltd.

УВЕДОМЛЕНИЕ О СООТВЕТСТВИИ: В различных странах и регионах, включая США, ЕС, Великобританию и/или другие страны,

подписавшие Вассенарские соглашения, на тепловизионные устройства могут распространяться правила экспортного контроля. При необходимости транспортировки между странами, экспорта или реэкспорта тепловизионных устройств обратитесь к юристу, специалисту по соблюдению нормативно-правового соответствия или местным органам власти для получения информации о разрешении на экспорт.

**Українська**

### **Юридична інформація**

#### **ЗАЯВА ПРО ВІДМОВУ ВІД ВІДПОВІДАЛЬНОСТІ**

В МАКСИМАЛЬНИХ МЕЖАХ, ДОЗВОЛЕНИХ ЗАСТОСОВУВАННЯМ ЗАКОНОМ, ЦЕ КЕРІВНИЦТВО ТА ОПИСАНИЙ ВИРІБ, З ЙОГО АПАРАТНИМ, ПРОГРАМНИМ ТА МІКРОПРОГРАМНИМ ЗАБЕЗПЕЧЕННЯМ, НАДАЮТЬСЯ «ЯК Є» ТА «ЗІ ВСІМА НЕДОЛІКАМИ ТА ПОМИЛКАМИ». НІКМІСРО НЕ НАДАЄ ЖОДНИХ ГАРАНТІЙ, ЯВНИХ АБО ОЧІКУВАНИХ, ВКЛЮЧАЮЧИ, БЕЗ ОБМЕЖЕНЬ, КОМЕРЦІЙНІ ЯКОСТІ, ЗАДОВІЛЬНУ ЯКІСТЬ АБО ПРИДАТНІСТЬ ДЛЯ ХАРАКТЕРНОЇ МЕТИ. ВИКОРИСТАННЯ ВИРОБУ ВІДБУВАЄТЬСЯ НА ВАШ ВЛАСНИЙ РИЗИК. КОМПАНІЯ НІКМІСРО НІ В ЯКОМУ РАЗІ НЕ НЕСЕ ВІДПОВІДАЛЬНОСТІ ПЕРЕД ВАМИ ЗА БУДЬ-ЯКІ СПЕЦІАЛЬНІ, ЛОГІЧНО ВИТІКАЮЧІ, ВИПАДКОВІ АБО НЕПРЯМІ ЗБИТКИ, ВКЛЮЧАЮЧИ, КРІМ ІНШОГО, ПОШКОДЖЕННЯ, ЩО ВЕДУТЬ ДО ВТРАТИ КОМЕРЦІЙНОГО ПРИБУТКУ, ПЕРЕРИВАННЯ ДІЛОВОЇ АКТИВНОСТІ АБО ВТРАТИ ДАНИХ, ПСУВАННЯ СИСТЕМ АБО ВТРАТИ ДОКУМЕНТАЦІЇ, НЕВАЖЛИВО, ЧИ ВНАСЛІДОК ПОРУШЕННЯ КОНТРАКТУ, ЦИВІЛЬНОГО ПРАВОПОРУШЕННЯ (ВКЛЮЧАЮЧИ НЕДБАЛІСТЬ), ВІДПОВІДАЛЬНОСТІ ЗА ВИРІБ, АБО ІНШИМ ЧИНОМ, ПОВ'ЯЗАНИХ З ВИКОРИСТАННЯМ ВИРОБУ, НАВІТЬ ЯКЩО КОМПАНІЯ НІКМІСРО ПОВІДОМЛЯЛА ПРО МОЖЛИВІСТЬ ТАКИХ ЗБИТКІВ АБО ВТРАТ.

ВИ УСВІДОМЛЮЄТЕ, ЩО ПРИРОДА ІНТЕРНЕТУ НЕСЕ ПРИТАМАННІ РИЗИКИ ДЛЯ БЕЗПЕКИ, І КОМПАНІЯ НІКМІСРО НЕ БЕРЕ НА СЕБЕ НІЯКОЇ ВІДПОВІДАЛЬНОСТІ ЗА НЕНОРМАЛЬНУ РОБОТУ, ВТРАТУ КОНФІДЕНЦІЙНОСТІ АБО ІНШІ ЗБИТКИ В РЕЗУЛЬТАТІ КІБЕР-АТАК, ХАКЕРСЬКИХ АТАК, ЗАРАЖЕНЬ ВІРУСАМИ АБО ІНШИХ РИЗИКІВ ДЛЯ БЕЗПЕКИ В ІНТЕРНЕТІ, ОДНАК, КОМПАНІЯ НІКМІСРО В РАЗІ НЕОБХІДНОСТІ НАДАСТЬ СВОЄЧАСНУ ТЕХНІЧНУ ПІДТРИМКУ.

ВИ ПОГОДЖУЄТЕСЯ ВИКОРИСТОВУВАТИ ЦЕЙ ВИРІБ У ВІДПОВІДНОСТІ ДО ВСІХ ЗАСТОСОВУВАНИХ ЗАКОНІВ, І ВИ НЕСЕТЕ ОДНООСІБНУ ВІДПОВІДАЛЬНІСТЬ ЗА ЗАБЕЗПЕЧЕННЯ ВИКОРИСТАННЯ ВИРОБУ ВІДПОВІДНО ДО ЗАСТОСОВУВАННЯ ЗАКОНОМ. ЗОКРЕМА, ВИ НЕСЕТЕ ВІДПОВІДАЛЬНІСТЬ ЗА ВИКОРИСТАННЯ ЦЬОГО ВИРОБУ СПОСОБОМ, ЯКИЙ НЕ ПОРУШУЄ ПРАВА ТРЕТІХ СТОРІН, ВКЛЮЧАЮЧИ, БЕЗ ОБМЕЖЕНЬ, ПРАВА РОЗГОЛОШЕННЯ, ПРАВА ІНТЕЛЕКТУАЛЬНОЇ ВЛАСНОСТІ ТА ІНШІ ПРАВА ЩОДО КОНФІДЕНЦІЙНОСТІ. ВИ НЕ МАЄТЕ ПРАВА ВИКОРИСТОВУВАТИ ЦЕЙ ВИРІБ ДЛЯ НЕЗАКОННОГО ПОЛЮВАННЯ НА ТВАРИН, ВТОРГНЕННЯ В ПРИВАТНУ ВЛАСНІСТЬ АБО З ІНШОЮ МЕТОЮ, ЩО Є НЕЗАКОННОЮ АБО ШКОДИТЬ СУСПІЛЬНИМ ІНТЕРЕСАМ. ВИ НЕ ПОВИННІ ВИКОРИСТОВУВАТИ ЦЕЙ ВИРІБ ДЛЯ БУДЬ-ЯКОГО ЗАБОРОНЕНОГО КІНЦЕВОГО ПРИЗНАЧЕННЯ, ВКЛЮЧАЮЧИ РОЗРОБКУ ЧИ ВИРОБНИЦТВО ЗБРОЇ МАСОВОГО ЗНИЩЕННЯ, РОЗРОБКУ ЧИ ВИРОБНИЦТВО ХІМІЧНОЇ АБО БІОЛОГІЧНОЇ ЗБРОЇ, БУДЬ-ЯКІ ДІЇ В КОНТЕКСТІ, ПОВ'ЯЗАНОМУ З ЯДЕРНОЮ ВИБУХОВОЮ РЕЧОВИНОЮ АБО НЕБЕЗПЕЧНИМ ЯДЕРНИМ ПАЛИВНИМ ЦИКЛОМ, АБО НА ПІДТРИМКУ ПОРУШЕНЬ ПРАВ ЛЮДИНИ. ДОТРИМУЙТЕСЯ ВИМОГ ЩОДО ВСІХ ЗАБОРОН І ВИКЛЮЧНИХ ЗАСТЕРЕЖЕНЬ, ЯКІ МІСТЯТЬСЯ В УСІХ

ЗАСТОСОВУВАНИХ ЗАКОНАХ І НОРМАХ, ЗОКРЕМА, В МІСЦЕВИХ ЗАКОНАХ І НОРМАХ ЩОДО ВОГНЕПАЛЬНОЇ ЗБРОЇ ТА/АБО ПОЛЮВАННЯ. ПЕРШ НІЖ КУПУВАТИ АБО ВИКОРИСТОВУВАТИ ЦЕЙ ВИРІБ, ОЗНАЙОМТЕСЯ З НАЦІОНАЛЬНИМ ЗАКОНОДАВСТВОМ І НОРМАМИ. ЗАУВАЖТЕ, ЩО ПЕРШ НІЖ КУПУВАТИ, ПРОДАВАТИ, ВИВОДИТИ НА РИНОК ТА/АБО ВИКОРИСТОВУВАТИ ЦЕЙ ВИРІБ, ВАМ, МОЖЛИВО, ПОТРІБНО БУДЕ ОТРИМАТИ ВІДПОВІДНІ ДОЗВОЛИ, ДОВІДКИ ТА/АБО ЛІЦЕНЗІЇ. НІКМІСРО НЕ НЕСЕ ВІДПОВІДАЛЬНОСТІ У ВИПАДКУ БУДЬ-ЯКОГО ВИЩЕНАЗВАНОВОГО НЕЗАКОННОГО АБО НЕНАЛЕЖНОГО ПРИДБАННЯ, ПРОДАЖУ, ВИВЕДЕННЯ НА РИНОК АБО КІНЦЕВОГО ВИКОРИСТАННЯ ВИРОБУ, А ТАКОЖ У ВИПАДКУ НАСТАННЯ ЗУМОВЛЕНИХ ЦИМ БУДЬ-ЯКИХ СПЕЦІАЛЬНО ОБУМОВЛЕНИХ, ВТОРИННИХ, НЕНАВМИСНО ЗАПОДІЯНИХ АБО НЕПРЯМИХ ЗБИТКІВ.  
У РАЗІ БУДЬ-ЯКИХ ПРОТИРІЧ МІЖ ЦИМ КЕРІВНИЦТВОМ ТА ЗАСТОСОВУВАНИМ ЗАКОНОМ, ОСТАННІЙ МАЄ ПЕРЕВАГУ.

**Ці положення застосовуються лише до продуктів, які мають відповідний знак або інформацію.**

### Заява про відповідність стандартам ЄС



Цей виріб й аксесуари до нього (якщо є в комплекті) мають маркування «СЕ», а тому відповідають чинним

гармонізованим європейським стандартам, переліченим у Директиві з електромагнітної сумісності (EMCD) 2014/30/ЄС, Директиві з низьковольтного електрообладнання (LVD) 2014/35/ЄС і Директиві щодо обмеження використання шкідливих речовин (RoHS) 2011/65/ЄС.



Директива з утилізації електричного й електронного обладнання (WEEE) 2012/19/ЄС: Вироби, помічені цим символом, не можна утилізувати у європейському Союзі як несортовані побутові відходи.

Щоб забезпечити правильну переробку цього виробу, поверніть його місцевому постачальнику під час придбання аналогічного нового обладнання, або здайте його до спеціального призначеного пункту збирання відходів. Більше інформації див. на сайті: [www.recyclethis.info](http://www.recyclethis.info).

### Указівки з техніки безпеки

Ці інструкції дозволять користувачу використовувати виріб правильно та уникати небезпеки чи пошкодження майна.

### Закони та норми

Використання виробу повинно суворо відповідати місцевим нормам електробезпеки.

### Живлення

● Вхідна напруга пристрою повинна відповідати вимогам до джерел живлення обмеженої потужності (5 В постійного струму, 2 А) згідно зі стандартом IEC61010-1. Щоб отримати докладну інформацію, див. фактичні вироби й технічні характеристики.

### Транспортування

- Під час транспортування зберігайте пристрій в оригінальному або подібному пакуванні.
- Після розпакування виробу зберігайте всі елементи упаковки для майбутнього використання. У разі виникнення будь-яких несправностей ви повинні будете повернути пристрій на завод з оригінальною упаковкою.
- Транспортування без оригінальної упаковки може призвести до пошкодження пристрою, за що компанія не несе відповідальності.

● Не допускайте падіння виробу або впливу на нього механічних ударів. Тримайте пристрій подалі від магнітних завад.

### Технічне обслуговування

- Якщо виріб не працює належним чином, зверніться до вашого дилера або найближчого сервісного центру. Ми не несемо жодної відповідальності за проблеми, які виникли внаслідок недозволеного ремонту чи догляду.
- За потреби обережно протріть пристрій чистою тканиною, змоченою невеликою кількістю етилового спирту.
- Якщо обладнання використовується в спосіб, не зазначений виробником, то забезпечувану пристроєм безпеку може бути порушено.
- Щоб уникнути подряпин на об'єктиві, очищуйте його м'якою сухою тканиною або папером для протирання.

### Умови експлуатації

- Переконайтеся, що середа використання відповідає умовам експлуатації пристрою. Робоча температура має становити від -10 °C до 50 °C (від 14 °F до 122 °F), а робоча вологість – не більше 95%, без утворення конденсату.
- Розміщуйте пристрій у сухому середовищі з належною вентиляцією.
- НЕ ДОПУСКАЙТЕ потрапляння пристрою в середовище із сильним електромагнітним випромінюванням чи запилене середовище.
- НЕ СПРЯМОВУЙТЕ об'єктив на сонце або інші джерела яскравого світла.
- Під час використання будь-якого лазерного обладнання слідкуйте за тим, щоб лазерний промінь не потрапляв на об'єктив пристрою, адже це може призвести до його перегорання.

### Аварійні ситуації

Якщо пристрій випускає дим, запах або видає шум, негайно вимкніть живлення, від'єднайте кабель живлення та зверніться в сервісний центр.

### Адреса виробника

Кімната 313, блок Б, будівля 2, 399 Данфен Роуд, підрайон Сісін, район Бінцзян, м. Ханчжоу, Чжецзян, 310052, Китай  
Hangzhou Microimage Software Co., Ltd.

ПРИМІТКА ЩОДО ВІДПОВІДНОСТІ НОРМАТИВНИМ ВИМОГАМ: Пристрої теплової серії можуть регулюватися положеннями контролю експорту в різних країнах або регіонах, включаючи, без обмежень, Сполучені Штати Америки, Європейський Союз, Об'єднане Королівство та/або інші країни-учасники Вассенаарської домовленості. Проконсультуйтеся з вашим професійним юристом або експертом із відповідності нормативним вимогам чи місцевими органами влади щодо необхідності експортних ліцензій, якщо ви плануєте передавати, експортувати або реекспортувати пристрої теплової серії між різними країнами.

**Türkçe**

### Yasal Bilgiler

#### YASAL UYARI

YÜRÜRLÜKTE OLAN YASALARCA İZİN VERİLEN AZAMI ÖLÇÜDE BU KILAVUZ VE AYRICA DONANIMI, YAZILIMI VE AYGIT YAZILIMI İLE BİRLİKTE TARİF EDİLEN ÜRÜN "TÜM HATALAR VE ARIZALARLA BİRLİKTE" VE "OLDUĞU GİBİ" SUNULMUŞTUR. HIKMICRO, SINIRLAMA, SATILABİLİRLİK, KALİTE MEMNUNİYETİ VEYA BELİRLİ BİR AMACA UYGUNLUK DAHİL, AÇIK VEYA ZİMNİ HİÇBİR GARANTİ VERMEZ. ÜRÜNÜN SİZİN TARAFINIZDAN KULLANILMASIYLA İLGİLİ TÜM RİSKLER TARAFINIZA AİTTİR. HIKMICRO HİÇBİR DURUMDA, BU ÜRÜNÜN KULLANIMI İLE BAĞLANTILI OLARAK, HIKMICRO BU TÜR HASARLARIN OLASILIĞI HAKKINDA BİLGİLENDİRİLMİŞ OLSA BİLE, İŞ KARLARININ KAYBI, İŞ KESİNTİSİ, VERİ

KAYBI, SİSTEM KESİNTİSİ, BELGE KAYBI, SÖZLEŞMENİN İHLALİ (İHMAL DAHİL), ÜRÜN SORUMLULUĞU GİBİ ZARARLAR DA DAHİL OLMAK ÜZERE, ÖZEL, SONUÇSAL, TESADÜFİ VEYA DOLAYLI ZARARLAR İÇİN SİZE KARŞI SORUMLU OLMAYACAKTIR. HIKMICRO'NUN, İNTERNETİNİN DOĞAL GÜVENLİK RİSKLERİNİN GETİRDİĞİ SİBER SALDIRI, HACKER SALDIRISI, HACKER SALDIRISI, VİRÜS BULAŞMASINDAN KAYNAKLANAN ANORMAL ÇALIŞMA, GİZLİLİK SIZINTISI VEYA DİĞER ZARARLARDAN HERHANGİ BİR SORUMLULUK ALMAYACAĞINI KABUL EDİYORSUNUZ; ANCAK HIKMICRO, GEREKİRSE ZAMANINDA TEKNİK DESTEK SAĞLAYACAKTIR. BU ÜRÜNÜ YÜRÜRLÜKTEKİ TÜM YASALARA UYGUN OLARAK KULLANMAYI KABUL EDERSİNİZ VE KULLANIMINIZIN YÜRÜRLÜKTEKİ YASAYA UYGUN OLMASI SORUMLULUĞU TAMAMEN SİZE AİTTİR. ÖZELLİKLE BU ÜRÜNÜ, HERHANGİ BİR SINIRLAMA OLMAKSIZIN TANITIM HAKLARI, FİKRİ MÜLKİYET HAKLARI VEYA VERİ KORUMA VE DİĞER GİZLİLİK HAKLARI DAHİL OLMAK ÜZERE ÜÇÜNCÜ TARAFLARIN HAKLARINI İHLAL ETMEYECEK BİR ŞEKİLDE KULLANMAKTAN SİZ SORUMLUSUNUZ. BU ÜRÜNÜ HAYVANLARI YASALARA AYKIRI ŞEKİLDE AVLAMAK, MAHREMİYETİ İHLAL ETMEK YA DA YASA DIŞI VEYA KAMU MENFAATLERİNE AYKIRI OLAN BİR AMAÇ İÇİN KULLANAMAZSINIZ. BU ÜRÜNÜ, TOPLU İMHA SİLAHLARININ GELİŞTİRİLMESİ VEYA ÜRETİMİ, KİMYASAL YA DA BİYOLOJİK SİLAHLARIN GELİŞTİRİLMESİ VEYA ÜRETİMİ, HERHANGİ BİR NÜKLEER PATLAYICI YA DA GÜVENİLİR OLMAYAN NÜKLEER YAKIT DÖNGÜSÜ VEYA İNSAN HAKLARI İHLALLERİNİN DESTEKLENMESİ DAHİL HİÇBİR YASAKLANMIŞ SON KULLANIM İÇİN KULLANMAYACAKSINIZ. LÜTFEN BAŞTA YEREL ATEŞLİ SİLAHLAR VE/VEYA AVLANMA KANUNLARI VE YÖNETMELİKLERİ OLMAK ÜZERE YÜRÜRLÜKTEKİ TÜM KANUNLARIN HER TÜRLÜ YASAĞINA VE ÖZEL DURUM UYARILARINA UYUN. BU ÜRÜNÜ SATIN ALMADAN YA DA KULLANMADAN ÖNCE LÜTFEN DAİMA ULUSAL HÜKÜM VE YÖNETMELİKLERE BAKIN. BU ÜRÜNÜ SATIN ALMADAN, SATMADAN, PAZARLAMADAN VE/VEYA KULLANMADAN ÖNCE İZİN, SERTİFİKA VE/VEYA LİSANS BAŞVURUSU YAPMAK ZORUNDA OLABİLECEĞİNİZİ LÜTFEN UNUTMAYIN. HIKMICRO, BU TÜR YASA DIŞI VEYA UYGUNSUZ SATIN ALIM, SATIŞ, PAZARLAMA VE SON KULLANIMLARDAN VE BUNLARIN SEBEP OLDUĞU HERHANGİ BİR ÖZEL, SONUÇ OLARAK ORTAYA ÇIKAN, ARIZİ VEYA DOLAYLI ZARARLARDAN SORUMLU OLMAYACAKTIR. BU KILAVUZ İLE İLGİLİ YASA ARASINDA HERHANGİ BİR ÇELİŞKİ OLMASI DURUMUNDA, İKİNCİSİ GEÇERLİDİR.

**Bu maddeler, yalnızca ilgili işarete veya bilgiye sahip ürünler için geçerlidir.**

#### EU Uygunluk Beyanı



Bu ürün ve (varsa) birlikte verilen aksesuarlar ayrıca "CE" ile işaretlenmiştir ve bu nedenle 2014/30/EU (EMCD) Direktifi, 2014/35/EU (LVD) Direktifi ve 2011/65/EU (RoHS) Direktifi altında listelenen geçerli uyumlaştırılmış Avrupa standartlarına uygundur.



2012/19/EU Direktifi (WEEE Direktifi): Bu sembole sahip ürünler, Avrupa Birliği'nde ayrıştırılmamış belediye atığı olarak imha edilemez. Doğru bir geri dönüşüm için eşdeğer yeni bir ekipman aldıktan sonra bu ürünü yerel tedarikçinize iade edin veya belirlenmiş toplama noktalarına gönderin. Daha fazla bilgi için bkz: [www.recyclethis.info](http://www.recyclethis.info).

#### Güvenlik Talimatı

Bu talimatlar ile tehlikeleri veya mal kayıplarını önlemek için kullanıcının ürünü doğru şekilde kullanabilmesinin sağlanması amaçlanmıştır.

#### Yasalar ve Yönetmelikler

Ürünün yerel elektrik güvenliği düzenlemelerine kesinlikle uygun şekilde kullanılması gerekmektedir.

#### Güç Kaynağı

● Cihaz için giriş voltajı, IEC61010-1 standardına göre Sınırlı Güç Kaynağını (5 VDC, 2 A) karşılamalıdır. Ayrıntılı bilgi için lütfen asıl ürünlere ve teknik özelliklere bakın.

#### Ulaşım

● Cihazı taşıırken orijinal ambalajının veya benzer bir ambalajın içerisine koyun.

● Ambalajından çıkardıktan sonra tüm ambalajları ileride kullanmak üzere saklayın. Herhangi bir arıza meydana gelmesi halinde cihazı orijinal sargısıyla birlikte fabrikaya iade etmeniz gerekir.

● Orijinal ambalajı olmadan taşımak cihaza zarar verebilir bu durumda şirket hiçbir sorumluluk kabul etmeyecektir.

● Ürünü düşürmeyin veya fiziksel darbeye maruz bırakmayın. Cihazı manyetik parazitten uzak tutun.

#### Bakım

● Ürün düzgün şekilde çalışmıyorsa lütfen bayiinizle veya en yakın servis merkeziyle iletişime geçin. Yetkisiz onarım veya bakımdan kaynaklanan sorunlar için herhangi bir sorumluluk kabul etmeyiz.

● Cihazı temiz bir bez ve gerekirse az miktarda etanol ile hafifçe silin.

● Ekipman, üretici tarafından belirtilmeyen bir şekilde kullanılırsa cihaz tarafından sağlanan koruma bozulabilir.

● Merceği, çizilmesini önlemek için yumuşak ve kuru bir bezle veya silme kağıdıyla temizleyin.

#### Kullanma Ortamı

● Çalışma ortamının cihazın gereksinimlerini karşıladığından emin olun. Çalışma sıcaklığı -10°C ila 50°C (14°F ila 122°F) ve çalışma nemi %95 veya daha az (yoğuşmasız) olmalıdır.

● Cihazı, kuru ve iyi havalandırılan bir ortama yerleştirin.

● Cihazı yüksek elektromanyetik radyasyona sahip veya tozlu ortamlarda BULUNDURMAYIN.

● Lensi, güneşe veya herhangi bir parlak ışığa doğru tutmayın.

● Herhangi bir lazer ekipmanı kullanılırken cihaz merceğinin, lazer ışınına maruz kalmadığından emin olun aksi takdirde yanabilir.

#### Acil Durum

Cihazdan duman, koku veya ses geliyorsa hemen gücü kapatarak güç kablosunun bağlantısını kesin ve servis merkeziyle iletişime geçin.

#### Üretim Adresi

Oda 313, Birim B, Bina 2, 399 Danfeng Caddesi, Xixing Nahiyesi, Binjiang Bölgesi, Hangzhou, Zhejiang 310052, Çin  
Hangzhou Microimage Software Co., Ltd.

UYGUNLUK BİLDİRİMİ: Termal serisi ürünler, sınırlama olmaksızın Amerika Birleşik Devletleri, Avrupa Birliği, Birleşik Krallık ve / veya Wassenaar Düzenlemesinin diğer üye ülkeleri dahil olmak üzere çeşitli ülke veya bölgelerde ihracat kontrollerine tabi olabilir. Termal serisi ürünleri farklı ülkeler arasında transfer etmeyi, ihraç etmeyi veya yeniden ihraç etmeyi düşünüyorsanız, lütfen gerekli ihracat lisansı gereklilikleri için profesyonel hukuk veya uyum uzmanınıza veya yerel hükümet yetkililerine danışın.

日本語

#### 法的情報

#### 法的免責事項

適用法で認められる最大限の範囲で、本マニュアルおよび説明されている製品（ハードウェア、ソフトウェア、ファームウェアを含む）は、[現状のまま]および[すべての欠陥とエラーがある]状態で提供

されます。HIKMICROでは、明示あるいは黙示を問わず、商品性、満足な品質、または特定目的に対する適合性などを一切保証しません。本製品は、お客様の自己責任においてご利用ください。HIKMICROは、本製品の利用に関連する事業利益の損失や事業妨害、データの損失、システムの障害、文書の損失に関する損害を含む特別、必然、偶発または間接的な損害に対して、それが契約に対する違反、不法行為(過失を含む)、製品の責任または製品の使用に関連するものであっても、たとえHIKMICROがそうした損害および損失について通知を受けていたとしても、一切の責任を負いません。

お客様は、インターネットにはその性質上固有のセキュリティリスクがあることを了解し、異常動作、プライバシーの流出、またはサイバー攻撃、ハッカー攻撃、ウイルス感染等のインターネットセキュリティリスクによる損害について、HIKMICROは一切責任を負いません。ただし、必要に応じてHIKMICROは適時技術的サポートを提供します。

お客様には、すべての適用法に従って本製品を利用し、さらにご自分の利用法が適用法を順守していることを確認する責任があります。特に、肖像権、知的財産権、またはデータ保護等のプライバシー権を非限定的に含むサードパーティの権利を侵害しない手段で本製品を利用する責任があります。動物の密猟やプライバシーの侵害など、法律に違反したり公序良俗に反する目的に本製品を使用してはなりません。大量破壊兵器の開発や生産、化学兵器・生物兵器の開発や生産、核爆発物や危険な核燃料サイクル、または人権侵害に資する活動を含む、禁じられている最終用途の目的で本製品を使用してはなりません。

適用されるすべての法規と規則、特に地域の銃器および/または狩猟に関する法規と規則のすべての禁止事項および例外的な注意事項に従ってください。本製品を購入または使用する前に、必ず国内の法規と規則を確認してください。本製品を購入、販売、マーケティング、および使用する前に、許可、証明書、および/またはライセンスを申請する必要がある場合がありますので、ご注意ください。HIKMICROは、このような違法または不適切な購入、販売、マーケティング、および最終使用、ならびにそれらに起因する特別、結果的、付随的、または間接的な損害について一切の責任を負うものではありません。本マニュアルと適用法における矛盾がある場合には、後者が優先されます。

---

**これらの条項は、対応するマークまたは情報が付された製品にのみ適用されます。**

---

## EU 適合宣言



本製品および同梱の周辺機器(適用可能な場合)には「CE」マークが付いており、指令(2014/30/EU)(EMCD)、指令

(2014/35/EU)(LVD)、およびRoHS指令(2011/65/EU)に掲げる適用可能な欧州統一基準に準拠します。



指令2012/19/EU(WEEE 指令):この記号が付いている製品は、欧州連合(EU)の地方自治体の未分別廃棄物として処分できません。適切にリサイクルするために、本製品は同等の新しい装置を購入する際に、お近くの販売業者に返却いただくか、指定された収集場所で処分してください。詳細については以下を参照してください: [www.recyclethis.info](http://www.recyclethis.info)

## 安全上の指示

これらの指示は、ユーザーが製品を正しく使用し、危険や財産損失を回避できるように保証することを目的としています。

## 法規と規則

製品の使用にあたって、お住まいの地域の電気安全性に関する法令を厳密に遵守する必要があります。

## 電源

●本デバイスへの入力電圧は、IEC61010-1 規格の限定電源(5 VDC、2A)を満たす必要があります。詳細情報に関しては実際の製品および技術仕様を参照してください。

## 輸送

●輸送中は、デバイスを元のパッケージまたは類似したパッケージに梱包してください。

●開梱後は、後日使用できるように、梱包材を保存しておいてください。不具合が発生した場合、元の梱包材を使用して工場に機器を返送する必要があります。

●元の梱包材を使用せずに返送した場合、破損が発生する恐れがありますが、その際に、当社は一切責任を負いません。

●製品を落下させたり、物理的な衝撃を与えないでください。本器を電磁妨害から遠ざけてください。

## メンテナンス

●製品が正しく動作しない場合、販売店または最寄りのサービスセンターに連絡してください。承認されていない修理や保守行為による問題について、当社はいかなる責任も負いません。

●必要ならば、エタノールを少量含ませたきれいな布でデバイスを静かに拭きます。

●メーカーが指定していない方法で使用した場合、デバイスが提供する保護機能が損なわれる恐れがあります。

●レンズに傷がつかないように、柔らかい乾いた布やワイピングペーパーでレンズをお手入れしてください。

## 使用環境

●実行環境がデバイスの要件を満たしていることを確認します。動作温度は-10°C ~50°C、動作湿度は95%以下、結露しない環境で使用します。

●デバイスは、乾燥して換気の良い環境に配置してください。

●デバイスを強い電磁波や埃の多い環境にさらさないでください。

●レンズを太陽や極端に明るい場所に向けないでください。

●レーザー装置を使用している場合は、デバイスのレンズがレーザービームにさらされていないことを確認してください。焼損するおそれがあります。

## 緊急

デバイスから煙や異臭、異音が発生した場合、すぐに電源を切り、電源ケーブルを抜いて、サービスセンターにご連絡ください。

## メーカー住所

310052 中国浙江省杭州市滨江区西興地区段鳳通り399号2棟ユニットB 313号室

Hangzhou Microimage Software Co., Ltd.

法令順守通知:本サーマルシリーズ製品は、アメリカ合衆国、欧州連合、英国などワッセナー・アレジメントの会員国を含むがそれだけに限定されない各国・各地域で、輸出管理の対象となる可能性が

あります。サーマルシリーズ製品を外国へ転送・輸出・再輸出する場合は、貴社の法務・コンプライアンス部門もしくは自国の政府機関に、輸出ライセンスの条件についてご確認ください。

## 한국어

### 법률 정보

#### 법적 고지 사항

관련 법률에서 허용하는 최대 범위에서 본 매뉴얼 및 설명된 제품은 하드웨어, 소프트웨어와 펌웨어의 모든 결합 및 오류가 "있는 그대로" 제공됩니다. HIKMICRO는 상품성, 품질 만족도, 특정 목적에의 적합성 및 타사의 비침해를 포함하되 이에 국한되지 않고 명시적 또는 묵시적으로 보증하지 않습니다. 제품 사용 시 책임은 전적으로 사용자에게 있습니다. 어떠한 경우에도 HIKMICRO는 제품의 사용과 관련해 발생하는 특별한, 결과적, 부수적 또는 간접적 손해 및 특히 사업상의 이익 손실, 운영 중단으로 인한 손해 또는 데이터의 손실, 시스템 장애 또는 문서의 손실에 대해 계약 위반, 불법 행위(과실 책임 포함), 제조물 책임 또는 그 외 제품 사용 관련성과 관계없이 일절 책임지지 않으며 HIKMICRO이 해당 손상 또는 손실이 발생할 가능성을 권고한 경우에도 그렇습니다.

귀하는 인터넷의 특성상 본질적으로 보안 위험이 잠재해 있음을 인정하며, HIKMICRO는 사이버 공격, 해커 공격, 바이러스 감염 또는 기타 인터넷 보안 위험으로 인해 발생한 비정상 작동, 개인정보 유출 또는 기타 손해에 대해 일절 책임지지 않습니다. 그러나 HIKMICRO는 필요한 경우 시기적절하게 기술 지원을 제공합니다.

귀하는 해당되는 모든 법률을 준수해 본 제품을 사용하는 데 동의하며, 해당되는 법률을 준수해 사용하는 것은 전적으로 귀하의 책임입니다. 특히, 귀하는 퍼블리시티권, 지적 재산권, 데이터 보호 및 기타 개인 정보 보호권을 포함하되 이에 국한되지 않고 제3자의 권리를 침해하지 않는 방식으로 본 제품을 사용하는 것에 대해 책임을 집니다. 귀하는 불법적인 동물 사냥, 사생활 침해 또는 공공의 이익에 반하거나 불법적인 기타 목적을 위해 본 제품을 사용하지 않습니다. 귀하는 대량 살상 무기 개발 또는 생산, 화학 또는 생물 무기 개발 또는 생산, 핵폭발 또는 안전하지 않은 핵연료 주기와 관련된 또는 인권 침해를 조장할 수 있는 개발 또는 생산을 포함해 금지된 최종 용도를 위해 본 제품을 사용하지 않습니다.

적용 가능한 법률 및 규정, 특히 현지 총기 및/또는 사냥 법률 및 규정에 따른 금지 사항과 예외 제한사항을 모두 따르십시오. 본 제품을 구입하거나 사용하기 전에 항상 국가 규정 및 법규를 확인하십시오. 제품을 구입, 판매, 마케팅 및/또는 사용하기 전에 허가, 인증 및/또는 라이선스를 신청해야 할 수 있습니다. 불법적이거나 적절하지 않은 구입, 판매, 마케팅, 최종 사용과 이로 인해 발생하는 특별 피해, 결과적인 피해, 부수적인 피해 또는 간접적인 피해에 HIKMICRO는 책임을 지지 않습니다.

본 매뉴얼과 적용되는 법률 사이에 충돌이 발생하는 경우 법률이 우선합니다.

**이 조항은 해당 마크 또는 정보가 있는 제품에만 적용됩니다.**

### EU 적합성 선언



본 제품은 물론 제공되는 액세서리(해당되는 경우)에도 "CE"가 표시되어 있으므로 Directive

2014/30/EU(EMCD), Directive 2014/35/EU(LVD), Directive 2011/65/EU(RoHS)에 명시된 적용되는 유럽 공통 표준을 준수합니다.



Directive 2012/19/EU(WEEE 지침): 이 기호가 표시된 제품은 유럽 연합 내에서 분류되지 않은 일반폐기물로 폐기할 수 없습니다. 적절히 재활용하기 위해 동급 장비를 새로 구매할 때 현지 공급업체에 제품을 반납하거나 지정된 수거 장소에 폐기하십시오. 자세한 내용은 [www.recyclethis.info](http://www.recyclethis.info)를 참조하십시오.

### 안전 지침

이 지침은 사용자가 제품을 올바르게 사용해 위험 또는 재산상의 손실을 방지하도록 하기 위해 제공되는 것입니다.

### 법률 및 규정

제품을 사용하려면 현지 전기 안전 규정을 엄격히 준수해야 합니다.

### 전원 공급 장치

● IEC61010-1 표준에 따라 장비 입력 전압이 LPS(5VDC, 2A)를 충족해야 합니다. 자세한 내용은 실제 제품과 기술 사양을 참조하십시오.

### 운반

- 장비를 운반할 때는 본래 포장재 또는 유사한 포장재에 장비를 놓으십시오.
- 포장을 뜯 다음에는 나중에 사용할 수 있도록 모든 포장재를 보관하십시오. 고장이 발생할 경우에는 장비를 본래 포장 상태로 포장해 공장으로 반품해야 합니다.
- 본래 포장 상태로 운송하지 않으면 장비가 손상될 수 있으며, 회사는 일절 책임지지 않습니다.
- 제품을 떨어뜨리거나 물리적 충격을 가하지 마십시오. 장비가 전자파의 간섭을 받지 않도록 하십시오.

### 유지 관리

- 제품이 제대로 작동하지 않을 경우 판매점 또는 가까운 서비스 센터에 문의하십시오. 당사는 무단 수리 또는 유지 관리로 인해 발생한 문제에 대해 일절 책임지지 않습니다.
- 필요한 경우 깨끗한 헝겊에 에탄올을 소량 묻혀 장비를 살살 닦아주십시오.
- 제조사가 지정하지 않은 방식으로 장비를 사용하는 경우 장비에 의해 제공되는 보호 성능이 손상될 수 있습니다.
- 렌즈가 긁히지 않도록 부드럽고 마른 천이나 종이로 렌즈를 닦아주십시오.

### 사용 환경

- 작동 환경이 장비의 작동 요구 사항을 충족하도록 하십시오. 작동 온도는 -10 °C ~ 50 °C(14 °F ~ 122 °F), 작동 습도는 95% 이하여야 하며 응결이 없어야 합니다.
- 장비를 건조하고 통풍이 잘되는 환경에 두십시오.
- 장비를 전자파 방사가 높거나 먼지가 많은 환경에 노출하지 마십시오.
- 렌즈를 태양 또는 기타 밝은 빛에 조준하지 마십시오.
- 레이저 장비를 사용할 때는 장비 렌즈를 레이저 빔에 노출하지 마십시오. 그렇지 않으면 화재가 발생할 수 있습니다.

## 비상 버튼

장비에서 연기, 냄새 또는 소음이 발생하면 즉시 전원을 끄고 전원 케이블을 뽑은 다음 서비스 센터에 연락하십시오.

## 제조사 주소

중국 저장성 310052 항저우 빈장구 시싱하위 지구 단펑가 399 빌딩 2, B동, 룸 313  
Hangzhou Microimage Software Co., Ltd.

규정 준수 알림: 열화상 시리즈 제품은 미국, 유럽 연합, 영국 및/또는 기타 바세나르 협정국을 포함하되 이에 국한되지 않고 여러 국가 및 지역의 수출 통제 대상이 될 수 있습니다. 열화상 시리즈 제품을 국가 간 운송, 수출, 재수출하려는 경우 필요한 수출 라이선스 요구 사항에 대해 법률 또는 규정 준수 전문가 또는 해당 국가의 정부 기관에 문의하십시오.

## 繁體中文

### 法律資訊

#### 法律免責聲明

在適用法律允許的最大範圍內，本手冊及所描述產品，其硬體、軟體和韌體均以「現狀」提供，瑕疵錯誤概不負責。HIKMICRO 不作任何明示或暗示的保證，包括但不限於適售性、品質滿意度或適合某特定用途。您必須承擔使用本產品的風險。對於任何特殊、衍生、偶發或間接的損害，包括但不限於營業利潤損失、營業中斷，或者資料遺失、系統毀損或文件遺失，只要是基於違反合約、侵權（包括過失）、產品責任或產品使用（即使 HIKMICRO 已知悉可能有此類損害或損失），HIKMICRO 概不負責。您了解網際網路的性質具有固有的安全風險，對於因網路攻擊、駭客攻擊、病毒感染或其他網路安全風險而造成的異常運作、隱私洩漏或其他損害，HIKMICRO 概不承擔任何責任；但 HIKMICRO 將提供及時的技術支援。

您同意依照所有適用法律使用本產品，而且您有責任確保您的使用符合適用法律。特別是，您有責任在使用本產品時不侵犯第三方權利，包括但不限於版權、知識財產權或資訊保護以及其他隱私權。不得將本產品作為非法狩獵動物、侵犯隱私權或任何其他非法或損害公眾利益等用途。您不得將本產品用於任何禁止的最終用途，包括開發或生產大規模毀滅性武器、開發或生產化學武器或生物武器，以及任何有關核爆炸或不安全核燃料循環的任何活動，或支持侵犯人權。請遵循所有適用法律和法規、當地消防和/或狩獵法律和法規的所有禁止事項和異常警告。購買或使用本產品前務必先查閱國內相關規定和法規。請注意，您可能需要取得許可、認證和/或執照，才能購買、銷售、行銷和/或使用本產品。HIKMICRO 對任何此類違法或不當購買、銷售、行銷及最終用途所造成之任何特殊、後果、意外或間接損害負責。如果本手冊與適用法律產生任何衝突，以後者為準。

**這些條款僅適用於帶有對應標記或資訊的產品。**

### 歐盟聲明



本產品及（如果適用）其附件都已標示 [CE]，因此符合適用指令 2014/30/EU (EMCD)、指令 2014/35/EU (LVD)、指令

2011/65/EU (RoHS) 所列之統一歐洲標準。



指令 2012/19/EU (WEEE 指令)：已標示此符號的產品在歐盟不得當成未分類的都市廢棄物處理。為了正確回收，請在購買同等的新設備時將本產品退回當地供應商，或將其棄置在指定的回收點。詳細資訊請參閱 [www.recyclethis.info](http://www.recyclethis.info)。

### 安全指示

這些指示的目的在確保使用者正確使用本產品，避免造成危險或財產損失。

### 法律和法規

使用本產品必須嚴格遵守當地電氣安全法規。

### 電源供應

● 根據 IEC61010-1 標準，本裝置的輸入電壓應符合有限電源 (5 VDC, 2 A) 的要求。如需詳細資訊，請參閱實際產品和技術規格。

### 運輸

● 在運送裝置時，請將裝置放入原本的或類似的包裝中。

● 在拆封後保留所有包裝以供將來使用。如果發生任何故障，則需要利用原本的包裝將裝置送回工廠。

● 未使用原本的包裝運輸可能會導致裝置損壞，本公司概不承擔任何責任。

● 請勿使本產品掉落或遭受撞擊。請勿讓裝置受到磁性干擾。

### 維護

● 如果產品無法正常運作，請聯絡您的經銷商或最近的服務中心。對於因未經授權的維修或保養而造成的問題，本公司概不承擔任何責任。

● 如有需要，請使用乾淨的布和少量酒精輕輕擦拭裝置。

● 如果以製造商未指定的方式使用設備，則可能會影響裝置所提供的保護。

● 使用柔軟乾燥的布或擦拭紙清潔鏡頭，以避免刮傷。

### 使用環境

● 請確定操作環境符合裝置的需求。工作溫度應在 -10 °C ~ 50 °C (14 °F ~ 122 °F) 之間，工作濕度應低於 95%，且無凝結現象。

● 將裝置放在乾燥且通風良好的環境中。

● 請勿使裝置暴露於高電磁輻射或塵土飛揚的環境中。

● 請勿將鏡頭瞄準陽光或任何其他明亮的光線。

● 使用任何雷射設備時，請確保裝置鏡頭未暴露在雷射光束中，否則可能會燒毀。

### 緊急

如果裝置產生煙霧、異味或噪音，請立即關閉電源，拔除電源線，並聯絡維修中心。

### 製造地址

310052 中國浙江省杭州市濱江區西興街區丹風路 399 號 2 號樓 B 單元 313 室  
杭州微影軟件有限公司

合規性注意事項：熱像系列產品可能在不同國家或地區受到出口管制，包括但不限於美國、歐盟、英國和/或瓦森納協議的其他成員國。如果您打算在不同國家之間轉讓、出口、再出口熱像系列產品，請洽詢您的專業法律或合規性專家或地方政府機關，以瞭解任何必要的出口許可要求。





**HIKMICRO**

See the World in a New Way



Facebook: HIKMICRO Outdoor Instagram: hikmicro\_outdoor

YouTube: HIKMICRO Outdoor

LinkedIn: HIKMICRO

Website: [www.hikmicrotech.com](http://www.hikmicrotech.com)

E-mail: [support@hikmicrotech.com](mailto:support@hikmicrotech.com)

UD34369B