



Heat Resistant Bullet Camera

Quick Start Guide

Table of Contents

<i>English</i>	1	<i>Polski</i>	53	<i>Bahasa Indonesia</i>	107
<i>Deutsch</i>	6	<i>Română</i>	59		
<i>Français</i>	11	<i>Slovenčina</i>	64		
<i>Español</i>	17	🇰🇷	69		
<i>Italiano</i>	22	<i>Türkçe</i>	76		
<i>Português</i>	27	<i>Русский</i>	81		
<i>Nederlands</i>	33	<i>Українська</i>	86		
<i>Čeština</i>	38	繁體中文	92		
<i>Dansk</i>	43	한국어	97		
<i>Magyar</i>	48	日本語	102		

English

1 Preparation

Basic Requirement

- All the electronic operation should be strictly compliance with the electrical safety regulations, fire prevention regulations and other related regulations in your local region.
- Check the package contents and make sure that the device in the package is in good condition and all the assembly parts are included.
- Use the system according to the working environment requirement.

Checking Installing Environment

- Be sure that there is enough space to install the camera and accessories.
- Make sure that the wall is strong enough to withstand at least 8 times the weight of the camera and the mount.

Preparing Cables

- According to the actual network bandwidth, the Cat5 (in 100 M) or Cat6 (100 M above) is needed.
- When the camera uses standard 12 VDC power supply, the power cable should be American wire gauge 18 or above. The formula of the cross-section S (mm^2) and the maximum transmission distance L (m) of the bare wire is $L=50*S$.
- Choose the video cable according to the transmission length. The video should meet the least demands as: 75Ω resistance; 100% copper core conducting wire; 95% weaving copper shield.

Preparing Tools

Before installation, please prepare the tools needed, such as the expansion screws, electric hammer, electric drill, wrench, screwdriver, electroprobe and network cable.

Original Packaging

When you unpack the camera, please keep the original package properly, in case of returning or repairing the camera. You can pack the camera with the package.

Note:

The user should be responsible for any damage caused when transporting with unoriginal package.

2 Appearance Description

2.1 Appearance

Refer to the following figure for the appearance of the camera.

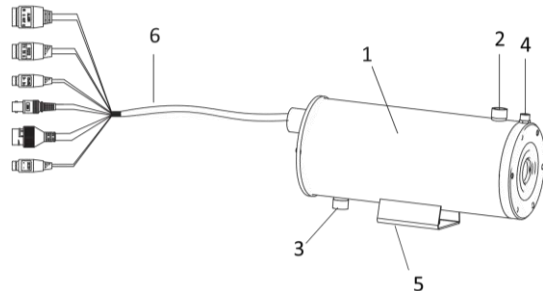


Figure 2-1 Appearance

Table 2-1 Description of Device

No.	Description
1	Camera
2	G1/2 Water/Air Outlet
3	G1/2 Water/Air Inlet

4	G1/4 Air Inlet
5	Mounting Base
6	Cables

2.2 Cable Description

The cable interfaces of the camera is shown in Figure 2-20.

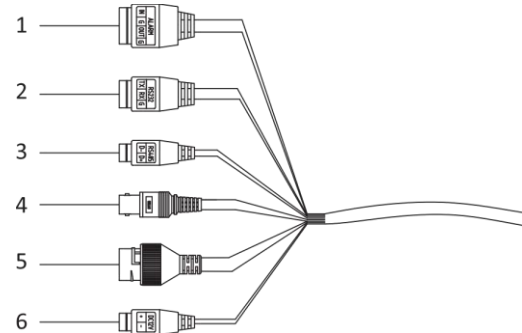


Figure 2-2 Cables of Camera

Table 2-2 Description of Device

No.	Description
1	Alarm Input/Output
2	RS-232 Cable
3	RS-485 Cable
4	CVBS Cable

5	RJ45 Network Cable
6	Power Cable

3 Installation

3.1 Wiring

Please fully take into consideration the installation environment and position of the device when you plan for the wiring. In order to make sure the stable power supply and signal transmission, please closely follow the rules below:

- Confirm the installation environment before wiring, including the wiring distance, wiring environment, magnetic-field interference, etc.
- The rated voltage of the wire should be higher than that the device requires, so the device can work normally when the voltage instability occurs.
- It's recommended to use a single complete cable for wiring; if not, reinforcement measures should be taken to protect the wiring point between two cables, or the device may work abnormally due to the circuit aging.
- Make sure the device cables are well protected, and take reinforcement and protective measures during wiring.
- Avoid bumping the cables and damaging the magnetic ring, or the device may work abnormally.
- Make sure the cables are not too redundant or stretched too tight.
- The wiring should be completed by professional technicians. When the device cannot work normally, you can check the above information for troubleshooting.

3.2 Install the Camera

Before you start:

The bracket is not included in the package. Please purchase it separately.

Steps:

1. Drill four holes on the wall according to the dimension of the wall mounting bracket template.

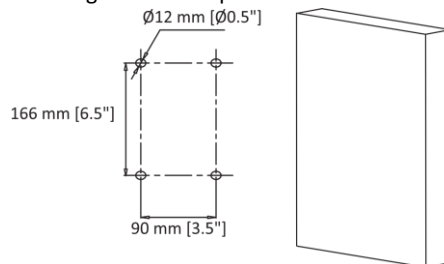


Figure 3-1 Drill Holes on Wall

2. Drill four M8 screws into the holes.

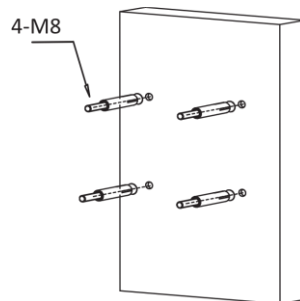


Figure 3-2 Drill M8 Screws into Holes

3. Loosen and remove the screws to disassemble the PT joint.

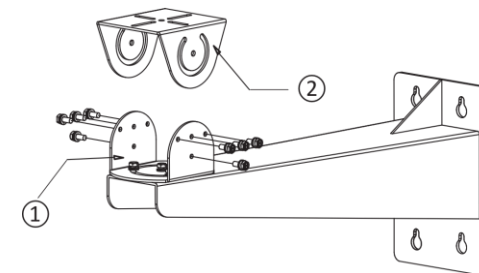


Figure 3-3 Disassemble PT Joint

Note: ①: PT Joint Bottom; ②: PT Joint Top

4. Align the four holes on the bracket with the four M8 screws on the wall, install the bracket on the wall, and tighten the screws.

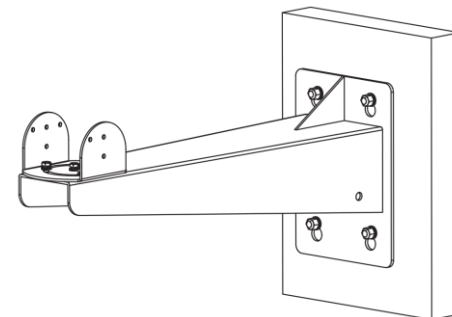


Figure 3-4 Install Bracket

- Loosen the four M6 screws on the PT joint bottom to adjust the panning angle, and tighten the screws after the adjustment. The panning angle is from -45° to 45°.

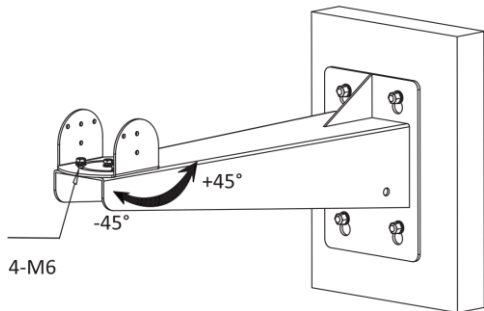


Figure 3-5 Adjust Panning Angle

- Install the PT joint top to the mounting base of the camera with four M6 screws.

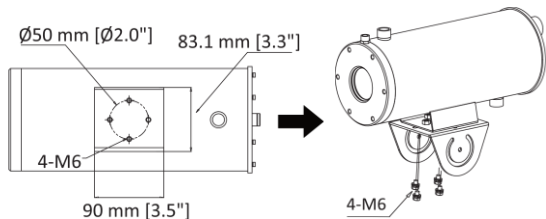


Figure 3-6 Install PT Joint Top with Camera

- Screw in the eight M6 screws, and adjust the tilting angle for the camera. Tighten the screws after the adjustment. The tilting angle is from -45° to 45°.

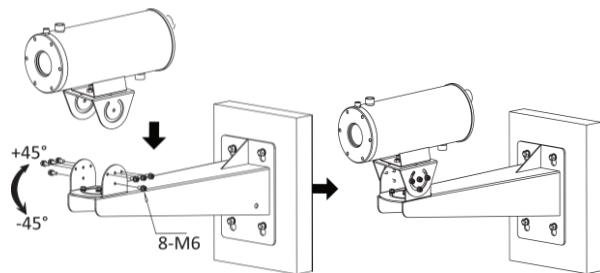


Figure 3-7 Adjust Tilting Angle

3.3 Cooling and Dedusting Installation

Air or water cooling is required to cool the thermal camera module if the device works in high-temperature environment. The dedusting installation helps to remove dust from the device window and cool the device, so that the image can be clearer.

Before you start:

Select a proper cooling method according to the working environment of the device.

- If the working temperature is between 50 °C and 100 °C (including 100 °C), select air cooling method.
- If the working temperature is between 100 °C and 200 °C (including 200 °C), select water cooling method.

3.3.1 Air Cooling and Dedusting Installation

You can introduce compressed air to reduce the cavity temperature of the device.

Steps:

- Connect the compressed air outlet and ① (G1/2 air inlet) at the bottom of the device with ② (G1/2 screwed pipe).

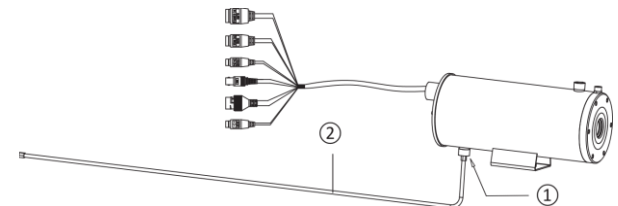


Figure 3-8 Pipe Connection for Air Cooling

Note:

The length of the screwed pipe in the package is 1 m, and you can purchase the pipe according to the actual installation requirement.

- Connect ③ (G1/2 air outlet) and ④ (G1/4 air inlet) with ⑤ (adapter), then the compressed air can remove the dust on the device window.

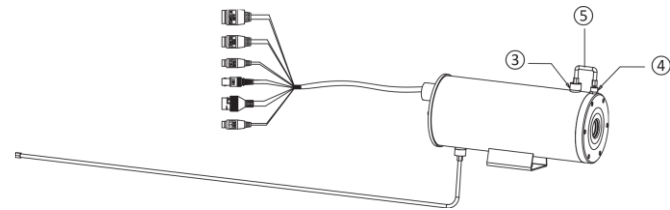


Figure 3-9 Dedusting Installation

- Wrap the screwed pipe with thermal insulation materials. Aerogel and aluminum silicate are recommended.

3.3.2 Water Cooling and Dedusting Installation

You can introduce cooling water to reduce the cavity temperature of the device.

Steps:

1. Connect the cooling water outlet and ⑥ (G1/2 water inlet) at the bottom of the device with ② (one G1/2 screwed pipe), and connect the backwater inlet and ⑦ (G1/2 water outlet) on the top of the device with ② (the other G1/2 screwed pipe).

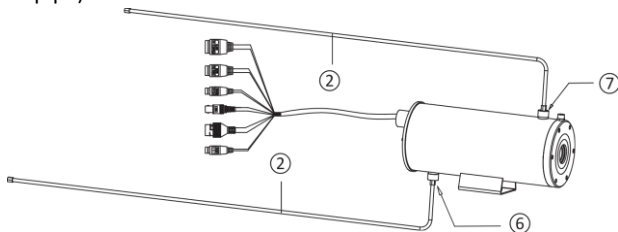


Figure 3-10 Pipe Connection for Water Cooling

Note:

Make sure the sealing gaskets at the ends of the pipes are well installed, or the waterproof effect may be affected.

2. Connect the compressed air outlet and ④ (G1/4 air inlet) at the top of the device with ③ (G1/4 screwed pipe), then the compressed air can remove the dust on the device window.

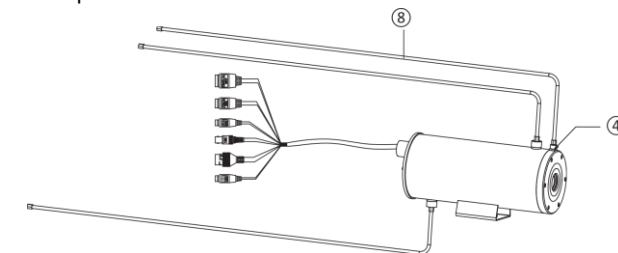


Figure 3-11 Dedusting Installation

Note:

The length of the screwed pipe in the package is 1 m, and you can purchase the pipe according to the actual installation requirement.

3. Wrap the three screwed pipes with thermal insulation materials. Aerogel and aluminum silicate are recommended.

4 Activate and Access Network Camera

Visit www.hikmicrotech.com to download and install HIKMICRO Studio. Refer to the user manual of the device for detailed operation.

Legal Information

©2022 Hangzhou Microimage Software Co., Ltd. All rights reserved.

About this Manual

The Manual includes instructions for using and managing the Product. Pictures, charts, images and all other information hereinafter are for description and explanation only. The information contained in the Manual is subject to change, without notice, due to firmware updates or other reasons. Please find the latest version of this Manual at the HIKMICRO website (www.hikmicrotech.com/). Please use this Manual with the guidance and assistance of professionals trained in supporting the Product.

Trademarks Acknowledgement

 and other HIKMICRO's trademarks and logos are the properties of HIKMICRO in various jurisdictions. Other trademarks and logos mentioned are the properties of their respective owners.

Disclaimer

TO THE MAXIMUM EXTENT PERMITTED BY APPLICABLE LAW, THIS MANUAL AND THE PRODUCT DESCRIBED, WITH ITS HARDWARE, SOFTWARE AND FIRMWARE, ARE PROVIDED "AS IS" AND "WITH ALL FAULTS AND ERRORS". HIKMICRO MAKES NO WARRANTIES, EXPRESS OR IMPLIED, INCLUDING WITHOUT LIMITATION, MERCHANTABILITY, SATISFACTORY QUALITY, OR FITNESS FOR A PARTICULAR PURPOSE. THE USE OF THE PRODUCT BY YOU IS AT YOUR OWN RISK. IN NO EVENT WILL

HIKMICRO BE LIABLE TO YOU FOR ANY SPECIAL, CONSEQUENTIAL, INCIDENTAL, OR INDIRECT DAMAGES, INCLUDING, AMONG OTHERS, DAMAGES FOR LOSS OF BUSINESS PROFITS, BUSINESS INTERRUPTION, OR LOSS OF DATA, CORRUPTION OF SYSTEMS, OR LOSS OF DOCUMENTATION, WHETHER BASED ON BREACH OF CONTRACT, TORT (INCLUDING NEGLIGENCE), PRODUCT LIABILITY, OR OTHERWISE, IN CONNECTION WITH THE USE OF THE PRODUCT, EVEN IF HIKMICRO HAS BEEN ADVISED OF THE POSSIBILITY OF SUCH DAMAGES OR LOSS. YOU ACKNOWLEDGE THAT THE NATURE OF THE INTERNET PROVIDES FOR INHERENT SECURITY RISKS, AND HIKMICRO SHALL NOT TAKE ANY RESPONSIBILITIES FOR ABNORMAL OPERATION, PRIVACY LEAKAGE OR OTHER DAMAGES RESULTING FROM CYBER-ATTACK, HACKER ATTACK, VIRUS INFECTION, OR OTHER INTERNET SECURITY RISKS; HOWEVER, HIKMICRO WILL PROVIDE TIMELY TECHNICAL SUPPORT IF REQUIRED. YOU AGREE TO USE THIS PRODUCT IN COMPLIANCE WITH ALL APPLICABLE LAWS, AND YOU ARE SOLELY RESPONSIBLE FOR ENSURING THAT YOUR USE CONFORMS TO THE APPLICABLE LAW. ESPECIALLY, YOU ARE RESPONSIBLE, FOR USING THIS PRODUCT IN A MANNER THAT DOES NOT INFRINGE ON THE RIGHTS OF THIRD PARTIES, INCLUDING WITHOUT LIMITATION, RIGHTS OF PUBLICITY, INTELLECTUAL PROPERTY RIGHTS, OR DATA PROTECTION AND OTHER PRIVACY RIGHTS. YOU SHALL NOT USE THIS PRODUCT FOR ANY PROHIBITED END-USES, INCLUDING THE DEVELOPMENT OR PRODUCTION OF WEAPONS OF MASS DESTRUCTION, THE DEVELOPMENT OR PRODUCTION OF CHEMICAL OR BIOLOGICAL WEAPONS, OR ACTIVITIES IN THE CONTEXT RELATED TO ANY NUCLEAR EXPLOSIVE OR UNSAFE NUCLEAR FUEL-CYCLE, OR IN SUPPORT OF HUMAN RIGHTS ABUSES. IN THE EVENT OF ANY CONFLICTS BETWEEN THIS MANUAL AND THE APPLICABLE LAW, THE LATTER PREVAILS.

Regulatory Information

These clauses apply only to the products bearing the corresponding mark or information.

FCC Information

Please take attention that changes or modification not expressly approved by the party responsible for compliance could void the user's authority to operate the equipment.

FCC compliance: This equipment has been tested and found to comply with the limits for Class A device, pursuant to part 15 of the FCC Rules. These limits are designed to provide reasonable protection against harmful interference when the equipment is operated in a commercial environment. This equipment generates, uses, and can radiate radio

frequency energy and, if not installed and used in accordance with the instruction manual, may cause harmful interference to radio communications. Operation of this equipment in a residential area is likely to cause harmful interference in which case the user will be required to correct the interference at his own expense.

FCC Conditions

This device complies with part 15 of the FCC Rules. Operation is subject to the following two conditions:

1. This device may not cause harmful interference.
2. This device must accept any interference received, including interference that may cause undesired operation.

EU Conformity Statement



This product and - if applicable - the supplied accessories too are marked with "CE" and comply therefore with the applicable harmonized European standards listed under the EMC Directive 2014/30/EU, the RoHS Directive

2011/65/EU.



2012/19/EU (WEEE directive): Products marked with this symbol cannot be disposed of as unsorted municipal waste in the European Union. For proper recycling, return this product to your local supplier upon the purchase of equivalent new equipment, or dispose of it at designated collection points. For more information see: www.recyclethis.info.



2006/66/EC (battery directive): This product contains a battery that cannot be disposed of as unsorted municipal waste in the European Union. See the product documentation for specific battery information. The battery is marked with this symbol, which may include lettering to indicate cadmium (Cd), lead (Pb), or mercury (Hg). For proper recycling, return the battery to your supplier or to a designated collection point. For more information see: www.recyclethis.info.

Industry Canada ICES-003 Compliance

This device meets the CAN ICES-3 (A)/NMB-3(A) standards requirements.

Safety Instruction

These instructions are intended to ensure that user can use the product correctly to avoid danger or property loss.

Laws and Regulations

- In the use of the product, you must be in strict compliance with the electrical safety regulations of the nation and region.

Transportation

- Keep the device in original or similar packaging while transporting it.
- Keep all wrappers after unpacking them for future use. In case of any failure occurred, you need to return the device to the factory with the original wrapper. Transportation without the original wrapper may result in damage on the device and the company shall not take any responsibilities.
- DO NOT drop the product or subject it to physical shock. Keep the device away from magnetic interference.

Power Supply

- Please purchase the charger by yourself. Input voltage should meet the Limited Power Source with 12 VDC according to the IEC62368 standard. Please refer to technical specifications for detailed information.
- Make sure the plug is properly connected to the power socket.
- The socket-outlet shall be installed near the equipment and shall be easily accessible.
- DO NOT connect multiple devices to one power adapter, to avoid over-heating or fire hazards caused by overload.
- DO NOT touch the bare metal contacts of the inlets after the circuit breaker is turned off. Electricity still exists.
- + identifies the positive terminal(s) of equipment which is used with, or generates direct current. - identifies the negative terminal(s) of equipment which is used with, or generates direct current.

Battery

- CAUTION: Risk of explosion if the battery is replaced by an incorrect type.
- Dispose of used batteries according to the instructions.
- Improper replacement of the battery with an incorrect type may defeat a safeguard (for example, in the case of some lithium battery types).
- Do not dispose of the battery into fire or a hot oven, or mechanically crush or cut the battery, which may result in an explosion.
- Do not leave the battery in an extremely high temperature surrounding environment, which may result in an explosion or the leakage of flammable liquid or gas.
- DO NOT subject the battery to extremely low air pressure, which

may result in an explosion or the leakage of flammable liquid or gas.

Installation

- Never place the equipment in an unstable location. The equipment may fall, causing serious personal injury or death.
- This equipment is for use only with corresponding brackets. Use with other (carts, stands, or carriers) may result in instability causing injury.

System Security


- You acknowledge that the nature of Internet provides for inherent security risks, and our company shall not take any responsibilities for abnormal operation, privacy leakage or other damages resulting from cyber attack, hacker attack, however, our company will provide timely technical support if required.
- Please enforce the protection for the personal information and the data security as the device may be confronted with the network security problems when it is connected to the Internet. Please contact us when the device might exist network security risks.
- Please understand that you have the responsibility to configure all the passwords and other security settings about the device, and keep your user name and password.

Maintenance

- If the product does not work properly, please contact your dealer or the nearest service center. We shall not assume any responsibility for problems caused by unauthorized repair or maintenance.
- A few device components (e.g., electrolytic capacitor) require regular replacement. The average lifespan varies, so periodic checking is recommended. Contact your dealer for details.
- Wipe the device gently with a clean cloth and a small quantity of ethanol, if necessary.
- If the equipment is used in a manner not specified by the manufacturer, the protection provided by the device may be impaired.
- To reduce the risk of fire, replace only with the same type and rating of fuse.
- The serial port of the equipment is used for debugging only.

Using Environment

- Make sure the running environment meets the requirement of the device. The operating temperature shall be 0 °C to 200 °C (32 °F to 392 °F), depending on the installation system, and humidity shall be 95% or less.

- Place the device in a dry and well-ventilated environment.
- DO NOT expose the device to high electromagnetic radiation or dusty environments.
- DO NOT aim the lens at the sun or any other bright light.
- The equipment shall not be exposed to dripping or splashing and that no objects filled with liquids, such as vases, shall be placed on the equipment.
- No naked flame sources, such as lighted candles, should be placed on the equipment.
- Provide a surge suppressor at the inlet opening of the equipment under special conditions such as the mountain top, iron tower, and forest.
- Burned fingers when handling the parts with symbol . Wait one-half hour after switching off before handling the parts.

Emergency

- If smoke, odor, or noise arises from the device, immediately turn off the power, unplug the power cable, and contact the service center.

COMPLIANCE NOTICE: The thermal series products might be subject to export controls in various countries or regions, including without limitation, the United States, European Union, United Kingdom and/or other member countries of the Wassenaar Arrangement. Please consult your professional legal or compliance expert or local government authorities for any necessary export license requirements if you intend to transfer, export, re-export the thermal series products between different countries.

Deutsch

1 Vorbereitung

Grundlegende Anforderungen

- Beim Betrieb elektronischer Geräte müssen die in Ihrem Land gültigen elektrischen Sicherheitsvorschriften, Brandschutzvorschriften und andere entsprechende Vorschriften unbedingt eingehalten werden.
- Überprüfen Sie den Lieferumfang und vergewissern Sie sich, dass das Gerät in gutem Zustand ist und alle Teile enthalten

sind.

- Verwenden Sie das System entsprechend den Anforderungen an die Betriebsumgebung.

Installationsumgebung prüfen

- Stellen Sie sicher, dass ausreichend Platz für die Installation der Kamera und des Zubehörs vorhanden ist.
- Stellen Sie sicher, dass die Wand stark genug ist, um mindestens das achtfache Gewicht von Kamera und Halterung tragen zu können.

Kabel vorbereiten

- Entsprechend der tatsächlichen Netzwerkbandbreite wird Cat5 (bis 100 m) oder Cat6 (100 m oder mehr) benötigt.
- Wenn die Kamera eine standardmäßige Stromversorgung von 12 V Gleichspannung nutzt, muss das Netzkabel einen American Wire Gauge von mindestens 18 haben. Die Gleichung des Querschnitts S (mm^2) und des maximalen Übertragungsabstands L (m) des Blankdrahts ist $L = 50 \times S$.
- Wählen Sie das Videokabel entsprechend der Übertragungslänge. Das Videokabel muss die Mindestanforderungen erfüllen: 75 Ω Widerstand; 100 % leitender Draht mit Kupferkern; 95 % Kupferabschirmgeflecht.

Werkzeuge vorbereiten

Bereiten Sie vor der Installation die benötigten Werkzeuge vor, wie z. B. Dehnschrauben, Elektrohammer, elektrische Bohrmaschine, Schraubenschlüssel, Schraubendreher, Spannungsprüfer und Netzkabel.

Originalverpackung

Bitte bewahren Sie nach dem Auspacken der Kamera die Originalverpackung ordnungsgemäß auf, falls Sie die Kamera künftig einmal zurücksenden oder zur Reparatur einschicken müssen. Sie können die Kamera in der Verpackung verstauen.

Hinweis:

Sie sind für alle Schäden verantwortlich, die beim Transport mit einer anderen als der Originalverpackung auftreten.

2 Äußere Beschreibung

2.1 Aufbau

Beachten Sie bezüglich des Aufbaus der Kamera die folgende Abbildung.

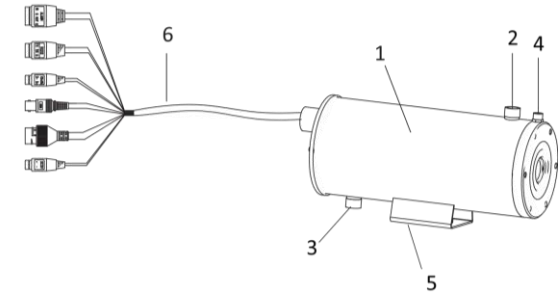


Abbildung 2-1 Aufbau

Tabelle 2-1 Beschreibung des Gerätes

Nr.	Beschreibung
1	Kamera
2	G1/2-Wasser-/Luftauslass
3	G1/2-Wasser-/Lufteinlass
4	G1/4-Lufteinlass

Nr.	Beschreibung
5	Montagefuß
6	Kabel

2.2 Verkabelung

Die Kabelschnittstellen der Kamera werden in Abbildung 2-2 gezeigt.

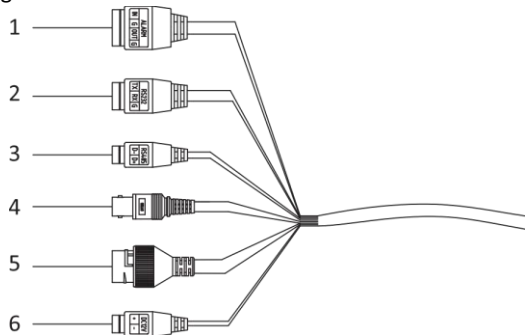


Abbildung 2-2 Kabel der Kamera

Tabelle 2-2 Beschreibung des Gerätes

Nr.	Beschreibung
1	Alarmeingang/-ausgang
2	RS-232-Kabel
3	RS-485-Kabel

Nr.	Beschreibung
4	CVBS-Kabel
5	RJ-45-Netzwerkkabel
6	Stromkabel

3 Installation

3.1 Verkabelung

Bei der Planung der Verkabelung müssen Sie die Installationsumgebung sowie die Position des Gerätes berücksichtigen. Halten Sie sich zur Gewährleistung einer stabilen Stromversorgung und Signalübertragung eng an die nachstehenden Regeln:

- Bestätigen Sie die Installationsumgebung vor der Verkabelung, einschließlich des Kabelabstands, der Verkabelungsumgebung, Magnetfeldstörungen usw.
- Die Nennspannung des Drahtes sollte höher sein als vom Gerät benötigt, damit das Gerät auch bei instabiler Spannungsversorgung normal arbeiten kann.
- Sie sollten ein einzelnes vollständiges Kabel für die Verkabelung verwenden. Falls nicht, muss der Verbindungspunkt zwischen zwei Kabeln verstärkt werden. Andernfalls funktioniert das Gerät im Laufe der Zeit möglicherweise nicht mehr richtig.
- Achten Sie darauf, dass die Gerätekabel gut geschützt sind. Ergreifen Sie während der Verkabelung Verstärkungs- und Schutzmaßnahmen.
- Vermeiden Sie Stöße der Kabel und Schäden am Magnetring, da das Gerät andernfalls möglicherweise nicht richtig funktioniert.
- Achten Sie darauf, dass die Kabel nicht zu redundant sind oder zu stark gespannt sind.

- Die Verkabelung sollte von professionellen Technikern durchgeführt werden. Prüfen Sie die obigen Informationen zur Problemlösung, wenn das Gerät nicht normal funktioniert.

3.2 Kamera installieren

Bevor Sie beginnen:

Die Halterung gehört nicht zum Lieferumfang. Bitte erwerben Sie es separat.

Schritte:

1. Bohren Sie entsprechend den Abmessungen der Schablone für die Wandmontagehalterung vier Löcher in die Wand.

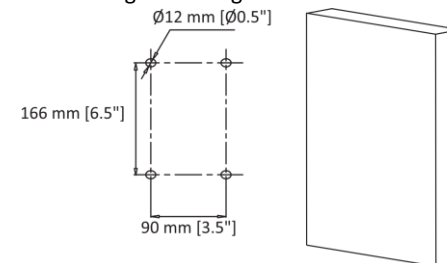


Abbildung 3-1 Löcher in die Wand bohren

2. Drehen Sie vier M8-Schrauben in die Löcher.

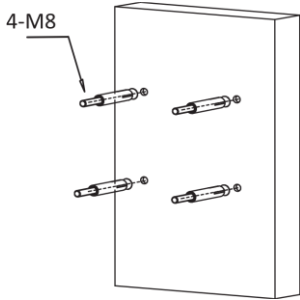


Abbildung 3-2 M8-Schrauben in die Löcher drehen

3. Lösen und entfernen Sie die Schrauben zur Demontage des PT-Gelenks.

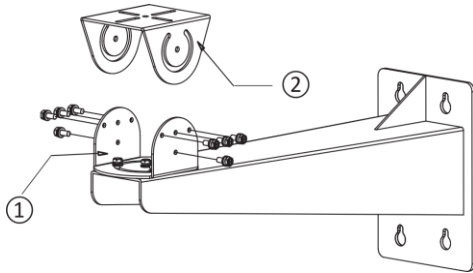


Abbildung 3-3 PT-Gelenk demontieren

Hinweis: ①: Unterseite des PT-Gelenks; ②: Oberseite des PT-Gelenks

4. Richten Sie die vier Löcher an der Halterung an den vier M8-Schrauben an der Wand aus, installieren Sie die Halterung an der Wand und ziehen Sie die Schrauben fest.

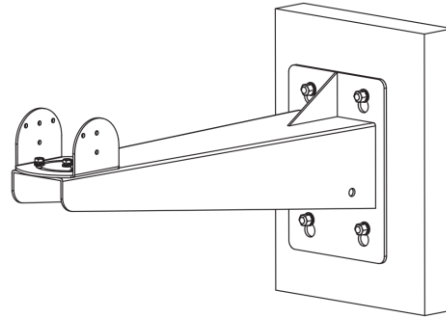


Abbildung 3-4 Halterung installieren

5. Lösen Sie die vier M6-Schrauben an der Unterseite des PT-Gelenks zur Anpassung des Schwenkwinkels. Ziehen Sie die Schrauben nach der Anpassung wieder an. Der Schwenkwinkel geht von -45° bis 45° .

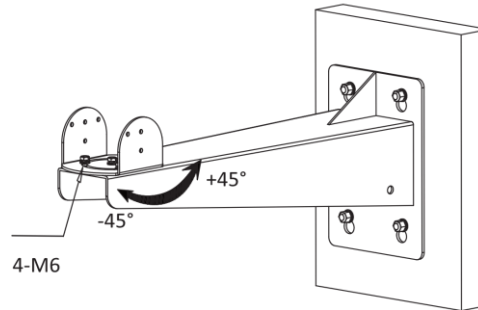


Abbildung 3-5 Schwenkwinkel anpassen

6. Installieren Sie die Oberseite des PT-Gelenks mit vier M6-Schrauben an der Montagebasis der Kamera.

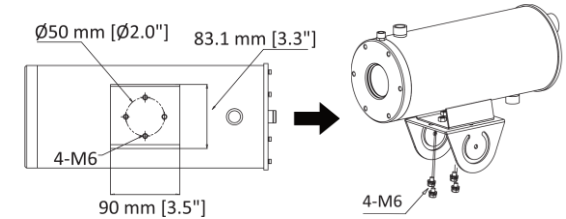


Abbildung 3-6 Oberseite des PT-Gelenks mit Kamera installieren

7. Drehen Sie die acht M6-Schrauben ein und passen Sie den Neigungswinkel der Kamera an. Ziehen Sie die Schrauben nach der Anpassung fest. Der Neigungsbereich ist von -45° bis 45° .

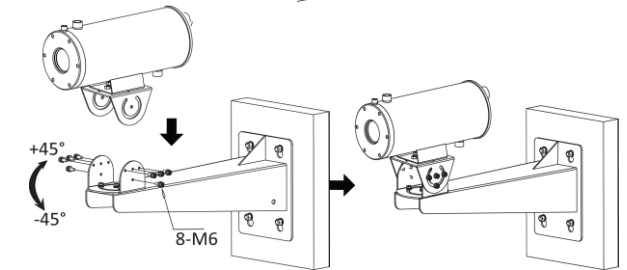


Abbildung 3-7 Neigungswinkel anpassen

3.3 Kühlende und entstaubende Installation

Zur Kühlung des Wärmebildkammeramoduls ist eine Luft- oder Wasserkühlung erforderlich, wenn das Gerät in einer Umgebung mit hohen Temperaturen arbeitet. Die entstaubende Installation hilft dabei, Staub vom Gerätefenster zu entfernen und das Gerät zu kühlen, damit das Bild klarer ist.

Bevor Sie beginnen:

Wählen Sie eine geeignete Kühlmethode entsprechend der Betriebsumgebung des Gerätes.

- Wählen Sie die Luftkühlung, wenn die Betriebstemperatur zwischen 50 °C und 100 °C (inklusive 100 °C) liegt.
- Wählen Sie die Wasserkühlung, wenn die Betriebstemperatur zwischen 100 °C und 200 °C (inklusive 200 °C) liegt.

3.3.1 Luftkühlende und entstaubende Installation

Sie können die Innentemperatur des Gerätes mit Druckluft reduzieren.

Schritte:

1. Verbinden Sie den Druckluftauslass und ① (G1/2-Lufteinlass) an der Unterseite des Gerätes mit ② (G1/2, verschraubtes Rohr).

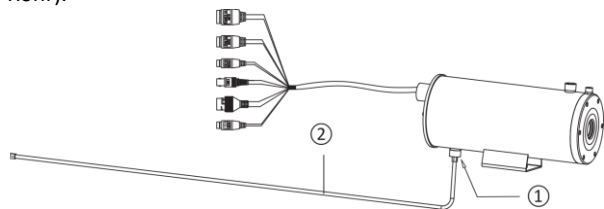


Abbildung 3-8 Rohranschluss für Luftkühlung

Hinweis:

Die Länge des verschraubten Rohrs in der Verpackung beträgt 1 m, und Sie können ein Rohr entsprechend der tatsächlichen Installationsanforderung erwerben.

2. Verbinden Sie ③ (G1/2-Lufteinlass) und ④ (G1/4-Lufteinlass) mit ⑤ (Adapter). Anschließend können Sie Staub am Gerätefenster mit Druckluft entfernen.

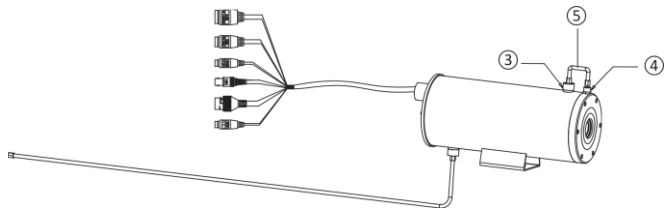


Abbildung 3-9 Entstaubende Installation

3. Umwickeln Sie das verschraubte Rohr mit wärmeisolierenden Materialien. Wir empfehlen Aerogel und Aluminium-Silikat.

3.3.2 Wasserkühlende und entstaubende Installation

Sie können die Innentemperatur des Gerätes mit kühlendem Wasser reduzieren.

Schritte:

1. Verbinden Sie den Kühlwasserauslass und ⑥ (G1/2-Wassereinlass) an der Unterseite des Gerätes mit ② (ein verschraubtes G1/2-Rohr), und verbinden Sie den Rückstaeinlass und ⑦ (G1/2-Wasserauslass) an der Oberseite des Gerätes mit ② (das andere verschraubte G1/2-Rohr).

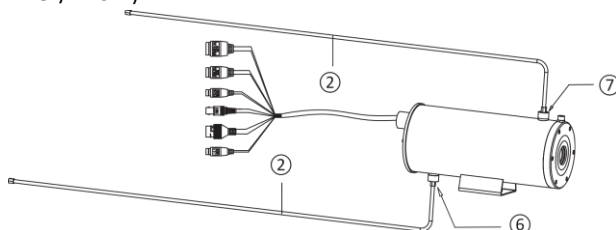


Abbildung 3-10 Rohranschluss für Wasserkühlung

Hinweis:

Achten Sie darauf, dass die Dichtungen an den Enden der Rohre richtig installiert sind; andernfalls könnte die Wasserdichtigkeit beeinträchtigt werden.

2. Verbinden Sie den Druckluftauslass und ④ (G1/4-Lufteinlass) an der Oberseite des Gerätes mit ⑧ (verschraubtes G1/4-Rohr). Anschließend können Sie den Staub am Gerätefenster mit Druckluft entfernen.

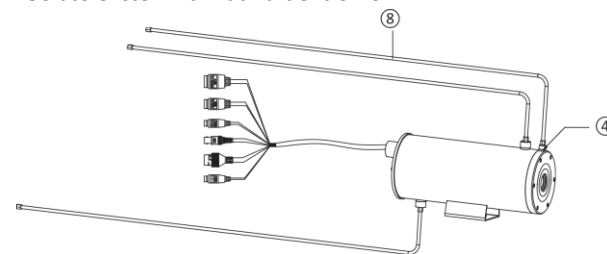


Abbildung 3-11 Entstaubende Installation

Hinweis:

Die Länge des verschraubten Rohrs in der Verpackung beträgt 1 m, und Sie können ein Rohr entsprechend der tatsächlichen Installationsanforderung erwerben.

3. Umwickeln Sie die drei verschraubten Rohre mit wärmeisolierenden Materialien. Wir empfehlen Aerogel und Aluminium-Silikat.

4 Netzwerkkamera aktivieren und darauf zugreifen

Besuchen Sie zum Herunterladen und Installieren von HIKMICRO Studio die Website www.hikmicrotech.com. Beachten Sie für detaillierte Anweisungen die Bedienungsanleitung des Gerätes.


Rechtliche Informationen

©2022 Hangzhou Microimage Software Co., Ltd. Alle Rechte vorbehalten.

Hinweise zu dieser Bedienungsanleitung

Die Bedienungsanleitung enthält Anleitungen zur Verwendung und Verwaltung des Produkts. Bilder, Diagramme, Abbildungen und alle sonstigen Informationen dienen nur der Beschreibung und Erklärung. Die Änderung der in der Bedienungsanleitung enthaltenen Informationen ist aufgrund von Firmware-Aktualisierungen oder aus anderen Gründen vorbehalten. Die neueste Version dieses Handbuchs finden Sie auf der HIKMICRO-Website (www.hikmicrotech.com/). Bitte verwenden Sie diese Bedienungsanleitung unter Anleitung und Unterstützung von Fachleuten, die für den Support des Produkts geschult sind.

Marken

 und andere Marken und Logos von HIKMICRO sind Eigentum von HIKMICRO in verschiedenen Gerichtsbarkeiten. Andere hier erwähnte Marken und Logos sind Eigentum ihrer jeweiligen Inhaber.

Haftungsausschluss

DIESE BEDIENUNGSANLEITUNG UND DAS BESCHRIEBENE PRODUKT MIT SEINER HARDWARE, SOFTWARE UND FIRMWARE WERDEN, SOWEIT GESETZLICH ZULÄSSIG, IN DER „VORLIEGENDEN FORM“ UND MIT „ALLEN FEHLERN UND IRRTÜMERN“ BEREITGESTELLT. HIKMICRO GIBT KEINE GARANTIE, WEDER AUSDRÜCKLICH NOCH STILLSCHWEIGEND, EINSCHLIEßLICH, ABER NICHT DARAUF BESCHRÄNKT, MARKTGÄNGIGKEIT, ZUFRIEDENSTELLENDEN QUALITÄT ODER EIGNUNG FÜR EINEN BESTIMMTEN ZWECK. DIE NUTZUNG DES PRODUKTS DURCH SIE ERFOLGT AUF IHRE EIGENE GEFAHR. IN KEINEM FALL IST HIKMICRO IHNEN GEGENÜBER HAFTBAR FÜR BESONDERE, ZUFÄLLIGE, DIREKTE ODER INDIREKTE SCHÄDEN, EINSCHLIEßLICH, JEDOCH NICHT DARAUF BESCHRÄNKT, VERLUST VON GESCHÄFTSGEWINNEN, GESCHÄFTSUNTERBRECHUNG, DATENVERLUST, SYSTEMSCHÄDIGUNG, VERLUST VON DOKUMENTATIONEN, SEI ES AUFGRUND VON VERTRAGSBRUCH, UNERLAUBTER HANDLUNG (EINSCHLIEßLICH FAHRLÄSSIGKEIT), PRODUKTHAFTUNG ODER ANDERWEITIG, IN VERBINDUNG MIT DER VERWENDUNG DIESES PRODUKTS, SELBST WENN HIKMICRO ÜBER DIE MÖGLICHKEIT DERARTIGER SCHÄDEN ODER VERLUSTE INFORMIERT WAR.

SIE ERKENNEN AN, DASS DIE NATUR DES INTERNETS DAMIT VERBUNDENE SICHERHEITSRISIKEN BEINHALTET. HIKMICRO ÜBERNIMMT KEINE VERANTWORTUNG FÜR ANORMALEN BETRIEB, DATENVERLUST ODER ANDERE SCHÄDEN, DIE SICH AUS CYBERANGRIFFEN, HACKERANGRIFFEN, VIRUSINFESTION ODER ANDEREN SICHERHEITSRISIKEN IM INTERNET ERGEBEN. HIKMICRO WIRD JEDOCH BEI BEDARF ZEITNAH TECHNISCHEN SUPPORT LEISTEN.

SIE STIMMEN ZU, DIESES PRODUKT IN ÜBEREINSTIMMUNG MIT ALLEN GELTENDEN GESETZEN ZU VERWENDEN, UND SIE SIND ALLEIN DAFÜR VERANTWORTLICH, DASS IHRE VERWENDUNG GEGEN KEINE GELTENDEN GESETZE VERSTÖßT. INSBESONDERE SIND SIE DAFÜR VERANTWORTLICH, DIESES PRODUKT SO ZU VERWENDEN, DASS DIE RECHTE DRITTER NICHT VERLETZT WERDEN, EINSCHLIEßLICH, ABER NICHT BESCHRÄNKT AUF VERÖFFENTLICHUNGSRECHTE, DIE RECHTE AN GEISTIGEM EIGENTUM ODER DEN DATENSCHUTZ UND ANDERE PERSÖNLICHKEITSRECHTE. SIE DÜRFEN DIESES PRODUKT NICHT FÜR VERBOTENE ENDANWENDUNGEN VERWENDEN, EINSCHLIEßLICH DER ENTWICKLUNG ODER HERSTELLUNG VON MASSESVERNICHTUNGSWAFFEN, DER ENTWICKLUNG ODER HERSTELLUNG CHEMISCHER ODER BIOLOGISCHER WAFFEN, JEGLICHER AKTIVITÄTEN IM ZUSAMMENHANG MIT EINEM NUKLEAREN SPRENGKÖRPER ODER UNSICHEREN NUKLEAREN BRENNSTOFFKREISLAUF BZW. ZUR UNTERSTÜTZUNG VON MENSCHENRECHTSVERLETZUNGEN.

IM FALL VON WIDERSPRÜCHEN ZWISCHEN DIESER BEDIENUNGSANLEITUNG UND GELTENDEM RECHT IST LETZTERES MASSGEBLICH.

Behördliche Informationen

Diese Bestimmungen gelten nur für Produkte, die das entsprechende Zeichen oder die entsprechenden Informationen tragen.

EU-Konformitätserklärung

Dieses Produkt und – gegebenenfalls – das mitgelieferte Zubehör sind mit dem „CE“-Zeichen gekennzeichnet und erfüllen daher die gültigen harmonisierten Europäischen Normen, die in der EMV-Richtlinie 2014/30/EG und der RoHS-Richtlinie 2011/65/EU aufgelistet sind. 2012/19/EU (Elektroaltgeräte-Richtlinie): Produkte, die mit diesem Symbol gekennzeichnet sind, dürfen innerhalb der Europäischen Union nicht mit dem Hausmüll entsorgt werden. Für korrektes Recycling geben Sie dieses Produkt an Ihren örtlichen Fachhändler zurück oder entsorgen Sie es an einer der Sammelstellen. Weitere Informationen finden Sie unter:



www.recyclethis.info



2006/66/EC (Batterierichtlinie): Dieses Produkt enthält eine Batterie, die innerhalb der Europäischen Union nicht mit dem Hausmüll entsorgt werden darf. Siehe Produktdokumentation für spezifische Hinweise zu Batterien. Die Batterie ist mit diesem Symbol gekennzeichnet, das zusätzlich die Buchstaben Cd für Cadmium, Pb für Blei oder Hg für Quecksilber enthalten kann. Für korrektes Recycling geben Sie die Batterie an Ihren örtlichen Fachhändler zurück oder entsorgen Sie sie an einer der Sammelstellen. Für weitere Informationen siehe: www.recyclethis.info.

Sicherheitshinweis

Diese Anleitungen sollen gewährleisten, dass Sie das Produkt korrekt verwenden, um Gefahren oder Sachschäden zu vermeiden.

Gesetze und Vorschriften

- Bei der Verwendung des Produkts müssen die elektrischen Sicherheitsbestimmungen des Landes oder der Region strikt eingehalten werden.

Transportwesen

- Bewahren Sie das Gerät beim Transport in der ursprünglichen oder einer vergleichbaren Verpackung auf.
- Bewahren Sie das gesamte Verpackungsmaterial nach dem Auspacken für zukünftigen Gebrauch auf. Im Falle eines Fehlers müssen Sie das Gerät in der Originalverpackung an das Werk zurücksenden. Beim Transport ohne Originalverpackung kann das Gerät beschädigt werden und wir übernehmen keine Verantwortung.
- Lassen Sie das Produkt nicht fallen und vermeiden Sie heftige Stöße. Halten Sie das Gerät von magnetischen Störungen fern.

Spannungsversorgung

- Erwerben Sie das Ladegerät selbst. Die Eingangsspannung muss einer Stromquelle mit begrenzter Leistung mit 12 V Gleichspannung gemäß der Norm IEC 62368 entsprechen. Siehe technische Daten für detaillierte Informationen.
- Stellen Sie sicher, dass der Stecker richtig in der Steckdose steckt.
- Die Steckdose sollte sich in der Nähe des Geräts befinden und muss

einfach zugänglich sein.

- Verbinden Sie NICHT mehrere Geräte mit einem Netzteil, da es andernfalls durch Überlastung zu einer Überhitzung oder einem Brand kommen kann.
- Berühren Sie NICHT die blanken Metallkontakte der Eingänge, nachdem der Schutzschalter ausgeschaltet wurde. Sie stehen noch unter Strom.
- + kennzeichnet den/die Pluspol(e) von Geräten, die mit Gleichstrom betrieben werden oder Gleichstrom erzeugen. – kennzeichnet den/die Minuspol(e) von Geräten, die mit Gleichstrom betrieben werden oder Gleichstrom erzeugen.

Batterie

- ACHTUNG: Bei Austausch der Batterie durch einen falschen Typ besteht Explosionsgefahr.
- Entsorgen Sie verbrauchte Batterien entsprechend der Anleitung.
- Unsachgemäßer Austausch der Batterien durch einen falschen Typ kann eine Schutzvorrichtung umgehen (z. B. bei einigen Lithium-Batterietypen).
- Batterien nicht durch Verbrennen, in einem heißen Ofen oder Zerkleinern oder Zerschneiden entsorgen. Das kann zu einer Explosion führen.
- Bewahren Sie Batterien nicht in einer Umgebung mit extrem hoher Temperatur auf. Das kann zu einer Explosion oder zum Auslaufen von entflammbarer Flüssigkeit oder Gas führen.
- Setzen Sie Batterien keinem extrem niedrigen Luftdruck aus. Das kann zu einer Explosion oder zum Auslaufen von entflammbarer Flüssigkeit oder Gas führen.

Installation

- Stellen Sie das Gerät niemals an einem instabilen Ort auf. Es könnte umfallen und schwere oder sogar tödliche Verletzungen verursachen.
- Dieses Gerät darf nur mit den entsprechenden Halterungen verwendet werden. Die Verwendung anderer Halterungen (Wagen, Ständer oder Träger) kann zu Instabilität führen und Verletzungen verursachen.

Systemsicherheit

- Sie erkennen an, dass die Natur des Internets damit verbundene Sicherheitsrisiken mit sich bringt und unser Unternehmen übernimmt keine Verantwortung für anormale Betriebsabläufe, Datenschutzverletzungen oder andere Schäden, die sich durch Cyber- oder Hackerangriffe ergeben. Bei Bedarf wird unser Unternehmen jedoch zeitnahe technische Unterstützung leisten.

- Bitte sorgen Sie für den Schutz der persönlichen Daten und die Datensicherheit, da das Gerät Netzwerksicherheitsproblemen ausgesetzt werden kann, wenn es mit dem Internet verbunden ist. Bitte setzen Sie sich mit uns in Verbindung, wenn das Gerät Netzwerksicherheitsrisiken aufweist.
- Bitte nehmen Sie zur Kenntnis, dass Sie die Verantwortung dafür tragen, alle Passwörter und andere Sicherheitseinstellungen für das Gerät zu konfigurieren und Ihren Benutzernamen und Ihr Passwort aufzubewahren.


Wartung

- Falls das Produkt nicht einwandfrei funktionieren sollte, wenden Sie sich an Ihren Händler oder den nächstgelegenen Kundendienst. Wir übernehmen keine Haftung für Probleme, die durch nicht Reparatur- oder Instandhaltungsarbeiten von nicht autorisierten Dritten verursacht werden.
- Einige Gerätekomponenten (z. B. Elektrolytkondensator) müssen regelmäßig ausgetauscht werden. Die durchschnittliche Lebensdauer variiert, weshalb eine regelmäßige Prüfung empfohlen wird. Einzelheiten erfahren Sie von Ihrem Händler.
- Wischen Sie das Gerät bei Bedarf sanft mit einem sauberen Tuch und einer geringen Menge Ethanol ab.
- Wenn das Gerät nicht vom Hersteller vorgegebenem Sinne genutzt wird, kann der durch das Gerät bereitgestellte Schutz beeinträchtigt werden.
- Um die Feuergefahr zu verringern, ersetzen Sie Sicherungen nur durch Sicherungen des gleichen Typs und der gleichen Leistung.
- Die serielle Schnittstelle des Geräts wird nur zur Fehlersuche verwendet.

Einsatzumgebung

- Achten Sie darauf, dass die Betriebsumgebung den Anforderungen des Geräts entspricht. Die Betriebstemperatur muss je nach Installationssystem zwischen 0 und 200 °C (32 bis 392 °F) liegen, und die Feuchtigkeit darf maximal 95 % betragen.
- Stellen Sie das Gerät an einem kühlen und gut belüfteten Ort auf.
- Setzen Sie das Gerät KEINER hohen elektromagnetischen Strahlung oder staubigen Umgebungen aus.
- Richten Sie das Objektiv NICHT auf die Sonne oder eine andere helle Lichtquelle.
- Das Gerät vor tropfenden oder spritzenden Flüssigkeiten schützen. Auf dem Gerät dürfen keine mit Flüssigkeit gefüllten Objekte, wie z. B. Vasen, abgestellt werden.
- Stellen Sie keine offenen Flammen (wie brennende Kerzen) auf dem

Gerät ab.

- Sorgen Sie für einen Überspannungsschutz an der Eingängen der Anlage bei besonderen Umgebungsbedingungen wie Berggipfel, Metallturm und Wald.
- Dieses Symbol  weist darauf hin, dass Sie sich beim Umgang mit den Teilen die Finger verbrennen können. Warten Sie nach dem Ausschalten eine halbe Stunde, bevor Sie die Teile anfassen.

Notruf

- Sollten sich Rauch, Gerüche oder Geräusche in dem Gerät entwickeln, so schalten Sie es unverzüglich aus und ziehen Sie den Netzstecker; wenden Sie sich dann an den Kundendienst.

RECHTLICHER HINWEIS: Die Produkte der Wärmebild-Serie unterliegen unter Umständen in verschiedenen Ländern oder Regionen Exportkontrollen, wie zum Beispiel in den Vereinigten Staaten, der Europäischen Union, dem Vereinigten Königreich und/oder anderen Mitgliedsländern des Wassenaar-Abkommens. Bitte wenden Sie sich an Ihren professionellen Rechts- oder Compliance-Experten oder an die zuständigen Behörden, wenn Sie beabsichtigen, Produkte der Wärmebild-Serie zwischen verschiedenen Ländern zu transferieren, zu exportieren oder zu reexportieren, um Informationen über eine eventuell erforderliche Ausfuhrgenehmigung zu erhalten.

Français

1 Préparation

Configuration requise de base

- L'ensemble du fonctionnement électronique doit être en conformité absolue avec les règles de sécurité en matière d'installation électrique, de prévention des risques d'incendie et toutes autres réglementations connexes applicables dans votre région.
- Vérifiez le contenu de l'emballage et assurez-vous que l'appareil est en bon état et que toutes les pièces

d'assemblage sont incluses.

- Utilisez le système conformément aux exigences relatives à l'environnement de travail.

Vérification de l'environnement d'installation

- Assurez-vous qu'il y a suffisamment de place pour installer la caméra et les accessoires.
- Assurez-vous que le mur est suffisamment solide pour supporter au moins huit fois le poids de la caméra et de son support.

Préparation des câbles

- Selon la bande passante réelle du réseau, le Cat5 (de 100 M) ou le Cat6 (supérieur à 100 M) est nécessaire.
- Lorsque la caméra utilise une alimentation électrique standard de 12 V CC, le câble d'alimentation doit être un câble de 18 AWG (American Wire Gauge) ou supérieur. La formule de la section S (mm²) et de la distance de transmission maximale L (m) du fil nu est $L = 50 \times S$.
- Choisissez le câble vidéo selon la longueur de transmission. La vidéo doit répondre aux exigences minimales suivantes : résistance de 75 Ω ; fil conducteur d'âme entièrement en cuivre ; blindage en cuivre à 95 % de tissage.

Préparation des outils

Avant l'installation, veuillez préparer les outils nécessaires, tels que les vis à expansion, le marteau électrique, la perceuse électrique, la clé, le tournevis, la sonde électrique et le câble réseau.

Emballage d'origine

Lorsque vous déballez l'appareil, veuillez conserver correctement l'emballage d'origine, au cas où vous retourneriez ou répareriez l'appareil. Vous pouvez emballer la caméra avec l'emballage.

Remarque :

L'utilisateur est responsable de tout dommage causé lors du transport avec un emballage non original.

2 Description de l'apparence

2.1 Apparence

Reportez-vous à la figure suivante pour l'apparence de la caméra.

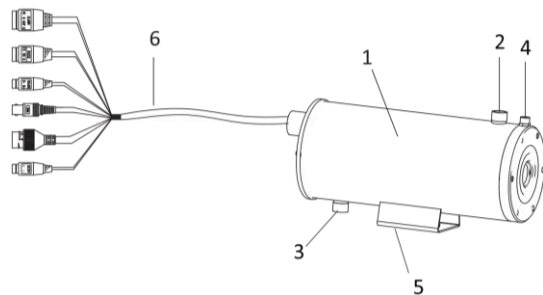


Figure 2-1 Apparence

Tableau 2-1 Description de l'appareil

N°	Description
1	Caméra
2	Sortie d'air/eau G1/2
3	Admission d'air/eau G1/2
4	Admission d'air G1/4
5	Base de montage
6	Câbles

2.2 Descriptions des câbles

Les interfaces des câbles de la caméra sont illustrées à la figure 2-20.

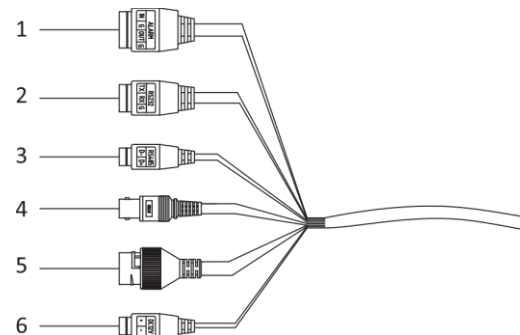


Figure 2-2 Câbles de la caméra

Tableau 2-2 Description de l'appareil

N°	Description
1	Entrée/sortie alarme
2	Câble RS-232
3	Câble RS-485
4	Câble CVBS
5	Câble réseau RJ45
6	Câble d'alimentation

3 Installation

3.1 Câblage

Veillez prendre en considération l'environnement d'installation et la position de l'appareil lorsque vous planifiez le câblage. Afin de garantir la stabilité de l'alimentation électrique et de la transmission du signal, veuillez suivre attentivement les règles ci-dessous :

- confirmez l'environnement d'installation avant le câblage, y compris la distance de câblage, l'environnement de câblage, l'interférence du champ magnétique, etc. ;
- la tension nominale du câble doit être supérieure à celle requise par l'appareil, afin que l'appareil puisse fonctionner normalement en cas d'instabilité de la tension ;
- il est recommandé d'utiliser un seul câble complet pour le câblage ; sinon, des mesures de renforcement doivent être prises pour protéger le point de câblage entre deux câbles, ou l'appareil pourrait fonctionner anormalement en raison du vieillissement du circuit ;
- assurez-vous que les câbles de l'appareil sont bien protégés et prenez des mesures de renforcement et de protection lors du câblage ;
- évitez de heurter les câbles et d'endommager l'anneau magnétique, sinon l'appareil risque de fonctionner anormalement ;
- assurez-vous que les câbles ne sont pas trop redondants ou trop tendus ;
- le câblage doit être effectué par des techniciens professionnels. Lorsque l'appareil ne peut pas fonctionner normalement, vous pouvez vérifier les informations ci-dessus pour le dépannage.

3.2 Installation de la caméra

Avant de commencer :

Le support n'est pas inclus dans l'emballage. Il doit être acheté séparément.

Procédures :

1. Percez quatre trous dans le mur selon les dimensions du gabarit du support de fixation murale.

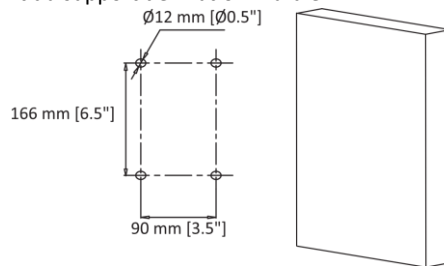


Figure 3-1 Perçage des trous sur le mur

2. Percez quatre vis M8 dans les trous.

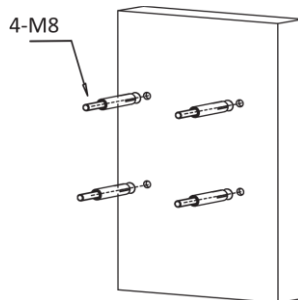


Figure 3-2 Perçage des vis M8 dans les trous

3. Desserrez les vis et retirez-les pour démonter le joint PT.

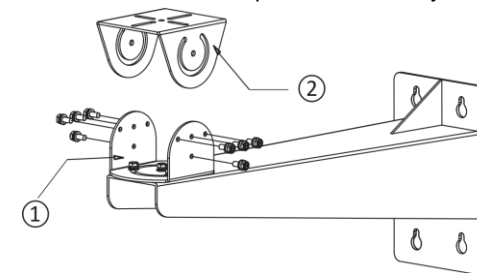


Figure 3-3 Démontage du joint PT

Remarque : ① : Bas du joint PT ; ② : Haut du joint PT

4. Alignez les quatre trous du support sur les quatre vis M8 du mur, puis installez le support sur le mur et serrez les vis.

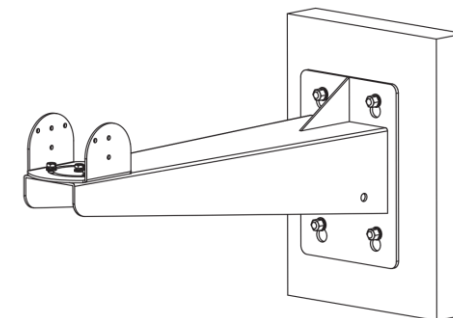


Figure 3-4 Installation du support

5. Desserrez les quatre vis M6 au bas du joint PT pour régler l'angle de panoramique et serrez les vis après le réglage. L'angle de panoramique est compris entre -45° et 45°.

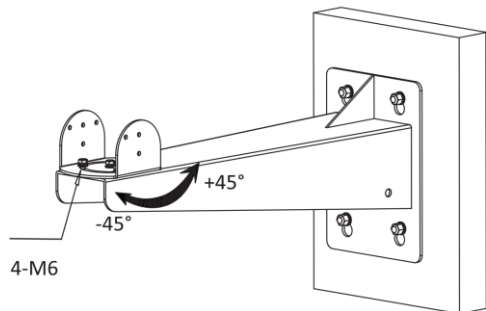


Figure 3-5 Réglage de l'angle de panoramique

6. Installez le haut du joint PT sur la base de montage de la caméra à l'aide de quatre vis M6.

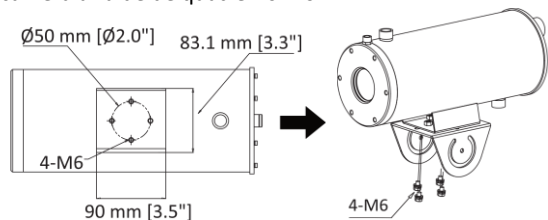


Figure 3-6 Installation du haut du joint PT sur la caméra

7. Serrez les huit vis M6 et réglez l'angle d'inclinaison de la caméra. Serrez les vis après le réglage. La plage d'inclinaison est comprise entre -45° et 45°.

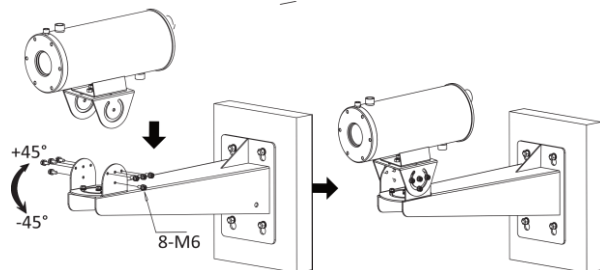


Figure 3-7 Réglage de l'angle d'inclinaison

3.3 Installation du système de refroidissement et de dépoussiérage

Un système de refroidissement par air ou par eau est nécessaire pour refroidir le module de caméra thermique si l'appareil fonctionne dans un environnement à haute température. L'installation du système de dépoussiérage permet d'éliminer la poussière de la fenêtre de l'appareil et de refroidir l'appareil, afin que l'image soit plus nette.

Avant de commencer :

Sélectionnez une méthode de refroidissement appropriée selon l'environnement de fonctionnement de l'appareil.

- Si la température de fonctionnement est comprise entre 50 °C et 100 °C (100 °C inclus), sélectionnez la méthode de refroidissement par air.
- Si la température de fonctionnement est comprise entre 100 °C et 200 °C (200 °C inclus), sélectionnez la méthode de refroidissement par eau.

3.3.1 Installation du système de refroidissement par air et de dépoussiérage

Vous pouvez introduire de l'air comprimé pour réduire la température de la cavité de l'appareil.

Procédures :

1. Raccordez la sortie d'air comprimé et ① (l'entrée d'air G1/2) au bas de l'appareil avec ② (le tuyau vissé G1/2).

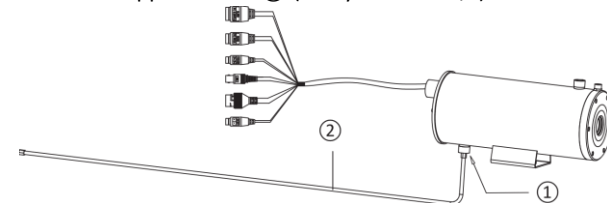


Figure 3-8 Raccordement du tuyau pour le refroidissement par air

Remarque :

La longueur du tuyau vissé dans l'emballage est de 1 m. Vous pouvez également acheter le tuyau selon les exigences réelles de l'installation.

2. Raccordez ③ (la sortie d'air G1/2) et ④ (l'admission d'air G1/4) avec ⑤ (l'adaptateur) pour que l'air comprimé puisse enlever la poussière sur la fenêtre de l'appareil.

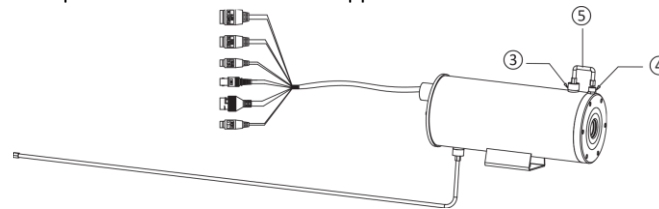


Figure 3-9 Installation du système de dépoussiérage

3. Enveloppez le tuyau vissé avec des matériaux d'isolation thermique. L'aérogel et le silicate d'aluminium sont recommandés.

3.3.2 Installation du système de refroidissement par eau et de dépoussiérage

Vous pouvez introduire de l'eau de refroidissement pour réduire la température de la cavité de l'appareil.

Procédures :

1. Raccordez la sortie d'eau de refroidissement et ⑥ (l'entrée d'eau G1/2) au bas de l'appareil avec ② (un tuyau vissé G1/2), et raccordez l'entrée d'eau de reflux et ⑦ (la sortie d'eau G1/2) au-dessus de l'appareil avec ② (l'autre tuyau vissé G1/2).

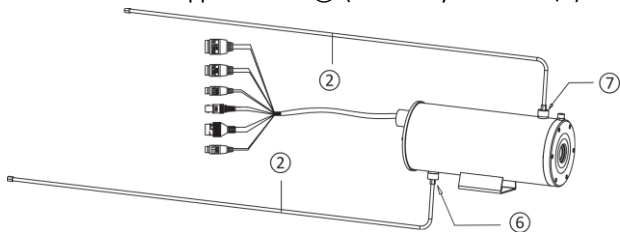


Figure 3-10 Raccordement du tuyau pour le refroidissement par eau

Remarque :

Assurez-vous que les joints d'étanchéité aux extrémités des tuyaux sont correctement installés, sinon l'effet d'étanchéité peut être affecté.

2. Connectez la sortie d'air comprimé et ④ (l'admission d'air G1/4) au-dessus de l'appareil avec ⑧ (le tuyau vissé G1/4) pour que l'air comprimé puisse enlever la poussière sur la fenêtre de l'appareil.

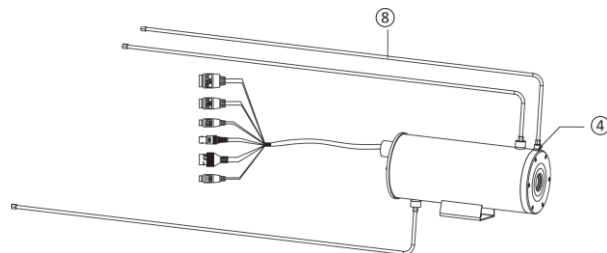


Figure 3-11 Installation du système de dépoussiérage

Remarque :

La longueur du tuyau vissé dans l'emballage est de 1 m. Vous pouvez également acheter le tuyau selon les exigences réelles de l'installation.

3. Enveloppez les trois tuyaux vissés avec des matériaux d'isolation thermique. L'aérogel et le silicate d'aluminium sont recommandés.

4 Activation et accès à la caméra réseau

Visitez www.hikmicrotech.com pour télécharger et installer HIKMICRO Studio. Reportez-vous au manuel d'utilisation de l'appareil pour un fonctionnement détaillé.

Informations légales


©2022 Hangzhou Microimage Software Co., Ltd. Tous droits réservés.

À propos de ce manuel

Ce manuel fournit des instructions d'utilisation et de gestion du produit. Les images, les tableaux, les figures et toutes les autres informations ci-après ne sont données qu'à titre de description et d'explication. Les informations contenues dans ce manuel sont modifiables sans préavis, en raison d'une mise à jour d'un micrologiciel ou pour d'autres raisons.

Veillez trouver la dernière version de ce manuel sur le site Internet de HIKMICRO (www.hikmicrotech.com).
Veillez utiliser ce mode d'emploi avec les conseils et l'assistance de professionnels spécialement formés dans la prise en charge de ce produit.

Reconnaissance des marques de commerce

 HIKMICRO Et les autres marques commerciales et logos de HIKMICRO sont la propriété de HIKMICRO dans diverses juridictions. Toutes les autres marques et tous les logos mentionnés appartiennent à leurs propriétaires respectifs.

Clause d'exclusion de responsabilité

DANS LES LIMITES AUTORISÉES PAR LA LOI EN VIGUEUR, LE PRÉSENT MANUEL ET LE PRODUIT DÉCRIT, AINSI QUE SON MATÉRIEL, SES LOGICIELS ET SES MICROLOGICIELS, SONT FOURNIS « EN L'ÉTAT » ET « AVEC CES FAIBLESSES ET ERREURS ». HIKMICRO NE FAIT AUCUNE GARANTIE, EXPLICITE OU IMPLICITE, Y COMPRIS, MAIS SANS S'Y LIMITER, DE QUALITÉ MARCHANDE, DE QUALITÉ SATISFAISANTE, OU D'ADÉQUATION À UN USAGE PARTICULIER. VOUS UTILISEZ LE PRODUIT À VOS PROPRES RISQUES. EN AUCUN CAS, HIKMICRO NE SERA TENU RESPONSABLE DE TOUT DOMMAGE SPÉCIAL, CONSÉCUTIF, ACCESSOIRE OU INDIRECT, Y COMPRIS, ENTRE AUTRES, LES DOMMAGES RELATIFS À LA PERTE DE PROFITS D'ENTREPRISE, À L'INTERRUPTION D'ACTIVITÉS COMMERCIALES, OU LA PERTE DES DONNÉES, LA CORRUPTION DES SYSTÈMES, OU LA PERTE DES DOCUMENTS, S'ILS SONT BASÉS SUR UNE VIOLATION DE CONTRAT, UNE FAUTE (Y COMPRIS LA NÉGLIGENCE), LA RESPONSABILITÉ EN MATIÈRE DE PRODUITS, OU AUTRE, EN RAPPORT AVEC L'UTILISATION DU PRODUIT, MÊME SI HIKMICRO A ÉTÉ INFORMÉ DE LA POSSIBILITÉ D'UN TEL DOMMAGE OU D'UNE TELLE PERTE. VOUS RECONNAISSEZ QUE LA NATURE D'INTERNET EST SOURCE DE RISQUES DE SÉCURITÉ INHÉRENTS, ET HIKMICRO SE DÉGAGE DE TOUTE RESPONSABILITÉ EN CAS DE FONCTIONNEMENT ANORMAL, DIVULGATION D'INFORMATIONS CONFIDENTIELLES OU AUTRES DOMMAGES DÉCOULANT D'UNE CYBERATTAQUE, D'UN PIRATAGE INFORMATIQUE, D'UNE INFECTION PAR DES VIRUS, OU AUTRES RISQUES DE SÉCURITÉ LIÉS À INTERNET ; TOUTEFOIS, HIKMICRO FOURNIRA UNE ASSISTANCE TECHNIQUE DANS LES DÉLAIS SI NÉCESSAIRE. VOUS ACCEPTEZ D'UTILISER CE PRODUIT CONFORMÉMENT À L'ENSEMBLE DES LOIS EN VIGUEUR. IL EST DE VOTRE RESPONSABILITÉ EXCLUSIVE DE VEILLER À CE QUE VOTRE UTILISATION SOIT CONFORME À LA LOI APPLICABLE. IL VOUS APPARTIENNT SURTOUT D'UTILISER CE PRODUIT D'UNE MANIÈRE QUI NE PORTE PAS ATTEINTE AUX DROITS DE

TIERS, Y COMPRIS, MAIS SANS S'Y LIMITER, LES DROITS DE PUBLICITÉ, LES DROITS DE PROPRIÉTÉ INTELLECTUELLE, OU LA PROTECTION DES DONNÉES ET D'AUTRES DROITS À LA VIE PRIVÉE. VOUS NE DEVEZ PAS UTILISER CE PRODUIT POUR TOUTE UTILISATION FINALE INTERDITE, NOTAMMENT LA MISE AU POINT OU LA PRODUCTION D'ARMES DE DESTRUCTION MASSIVE, LA MISE AU POINT OU LA FABRICATION D'ARMES CHIMIQUES OU BIOLOGIQUES, LES ACTIVITÉS DANS LE CONTEXTE LIÉ AUX EXPLOSIFS NUCLÉAIRES OU AU CYCLE DU COMBUSTIBLE NUCLÉAIRE DANGEREUX, OU SOUTENANT LES VIOLATIONS DES DROITS DE L'HOMME.

EN CAS DE CONFLIT ENTRE CE MANUEL ET LES LOIS EN VIGUEUR, CES DERNIÈRES PRÉVALENT.

Réglementation

Ces clauses ne s'appliquent qu'aux produits portant la marque ou l'information correspondante.

Déclaration de conformité UE



Le présent produit et, le cas échéant, les accessoires fournis, portent la mention « CE » et sont par conséquent conformes aux normes européennes harmonisées, répertoriées dans les directives CEM 2014/30/UE et

RoHS 2011/65/UE.



2012/19/UE (directive DEEE) : Dans l'Union européenne, les produits portant ce pictogramme ne doivent pas être déposés dans une déchèterie municipale où le tri des déchets n'est pas pratiqué. Pour un recyclage adéquat, remettez ce produit à votre revendeur lors de l'achat d'un nouvel

équipement équivalent, ou déposez-le dans un lieu de collecte prévu à cet effet. Pour de plus amples informations, visitez le site Web : www.recyclethis.info.



2006/66/CE (directive sur les batteries) : Ce produit renferme une batterie qui ne doit pas être déposée dans une déchèterie municipale où le tri des déchets n'est pas pratiqué, dans l'Union européenne. Pour plus de précisions sur la batterie, reportez-vous à sa documentation. La

batterie porte le pictogramme ci-contre, qui peut inclure la mention Cd (cadmium), Pb (plomb) ou Hg (mercure). Pour la recycler correctement, renvoyez la batterie à votre revendeur ou déposez-la dans un point de collecte prévu à cet effet. Pour plus de précisions, rendez-vous sur : www.recyclethis.info.

Consignes de sécurité

L'objectif de ces instructions est de garantir que l'utilisateur soit en mesure d'utiliser correctement le produit sans danger ou dommage aux biens.

Lois et réglementations

- En utilisant le produit, vous devez respecter la réglementation relative à la sécurité électrique de votre pays ou région.

Transport

- Gardez l'appareil dans son emballage d'origine ou dans un emballage similaire lors de son transport.
- Veillez conserver l'emballage de l'appareil pour toute utilisation ultérieure. En cas de panne, vous devrez renvoyer l'appareil à l'usine dans son emballage d'origine. Le transport de l'appareil sans son emballage d'origine peut l'endommager, et l'entreprise se dégage de toute responsabilité dans ce cas.
- Ne pas faire tomber le produit ou le soumettre à un choc physique. Éloigner l'appareil d'interférences magnétiques.

Alimentation électrique

- Veillez acheter vous-même le chargeur. La tension d'entrée doit être conforme à celle d'une source d'alimentation limitée de 12 V CC selon la norme CEI62368. Veillez vous référer aux caractéristiques techniques pour des informations détaillées.
- Vérifiez que la prise est correctement branchée à la prise électrique.
- La prise de courant doit être installée près de l'équipement et doit être facilement accessible.
- Pour éviter tout risque de surchauffe ou d'incendie dû à une surcharge, ne reliez PAS plusieurs appareils à un seul adaptateur d'alimentation.
- Ne touchez PAS les contacts métalliques nus des entrées après que le disjoncteur a été coupé. De l'électricité peut encore circuler.
- Le symbole « + » identifie la (les) borne(s) positive(s) de l'équipement qui est utilisé avec, ou qui génère du courant continu. Le symbole « - » identifie la (les) borne(s) négative(s) de l'équipement qui est utilisé avec, ou qui génère du courant continu.

Batterie

- ATTENTION : Il y a un risque d'explosion lorsque la pile est remplacée par une pile de type incorrect.
- Éliminez les batteries usées conformément aux instructions.
- Le remplacement de la pile par une pile du mauvais type peut conduire à l'annulation d'une protection (par exemple, dans le cas de

certains types de batteries au lithium).

- Ne jetez pas une batterie au feu ou dans un four chaud, ni ne broyez mécaniquement ou découpez une batterie, car cela pourrait engendrer une explosion.
- Ne laissez pas une batterie dans un environnement ambiant extrêmement chaud, car vous encourez un risque d'explosion ou une fuite de liquide ou de gaz inflammable.
- N'exposez pas une batterie à des pressions atmosphériques extrêmement basses, car vous encourez un risque d'explosion ou une fuite de liquide ou de gaz inflammable.

Installation

- N'installez jamais l'équipement sur un support instable. L'équipement pourrait tomber, entraînant des blessures graves voire la mort.
- Cet équipement doit être utilisé uniquement avec les supports correspondants. Toute utilisation avec d'autres supports (chariots, stations ou transporteurs) peut entraîner une instabilité pouvant causer des blessures.

Sécurité du système

- Vous reconnaissez que la nature d'Internet est source de risques de sécurité inhérents, et notre société se dégage de toute responsabilité en cas de fonctionnement anormal, divulgation d'informations confidentielles ou autres dommages découlant d'une cyberattaque ou d'un piratage informatique ; toutefois, notre société fournira une assistance technique dans les délais, le cas échéant.
- Veillez renforcer la protection des informations personnelles et la sécurité des données, car l'appareil peut être exposé à des problèmes de sécurité réseau lorsqu'il est connecté à Internet. Veuillez nous contacter si l'appareil peut subir des risques en matière de sécurité réseau.
- Vous êtes responsable de la configuration de tous les mots de passe et d'autres paramètres de sécurité concernant l'appareil. Gardez votre nom d'utilisateur et votre mot de passe en sécurité.


Maintenance

- Si le produit ne fonctionne pas correctement, contactez votre revendeur ou le centre de service le plus proche. Nous n'assumerons aucune responsabilité concernant les problèmes causés par une réparation ou une opération de maintenance non autorisée.
- Certains composants de l'appareil (p. ex., condensateur électrolytique) doivent être remplacés régulièrement. Leur durée de vie moyenne est variable, c'est pourquoi des contrôles périodiques sont recommandés. Veuillez contacter votre distributeur pour plus

d'informations.

- Essayez délicatement l'appareil à l'aide d'un chiffon propre imbibé d'une petite quantité d'éthanol, si nécessaire.
- Si l'appareil n'est pas utilisé conformément aux indications du fabricant, le dispositif de protection fourni par l'appareil peut être compromis.
- Pour réduire le risque d'incendie, remplacez-le uniquement par un fusible de même type et de même calibre.
- Le port série de l'équipement est utilisé uniquement à des fins de débogage.

Environnement d'exploitation

- Assurez-vous que l'environnement d'exploitation répond aux exigences de l'appareil. La température de fonctionnement doit être comprise entre 0 °C et 200 °C (32 °F et 392 °F), selon le système d'installation, et l'humidité doit être inférieure ou égale à 95 %.
- Placez l'appareil dans un endroit sec et bien aéré.
- N'exposez PAS l'appareil à de puissants rayonnements électromagnétiques ou à des environnements poussiéreux.
- N'orientez PAS l'objectif vers le soleil ou toute autre source de lumière vive.
- L'équipement ne doit pas être exposé aux gouttes ou aux éclaboussures et aucun objet rempli de liquide, comme un vase, ne doit être placé sur l'équipement.
- Aucune source de flamme nue, telle que de
- Prévoyez un suppresseur de surtension à l'orifice d'entrée de l'équipement dans des conditions d'installation particulières p. ex. au sommet d'une montagne, d'une tour métallique en forêt.
- La manipulation des pièces portant le symbole  risque de brûler les doigts. Attendez une demi-heure après l'arrêt de l'appareil avant de manipuler les pièces.

Urgence

- Si de la fumée, des odeurs ou du bruit s'échappent de l'appareil, mettez immédiatement l'appareil hors tension et débranchez le câble d'alimentation, puis contactez un centre de réparation.

AVIS DE CONFORMITÉ : Il est possible que les produits de la série thermique soient soumis à des contrôles d'exportation dans divers pays ou diverses régions, ce qui inclut, sans s'y limiter, les États-Unis, l'Union européenne, le Royaume-Uni ou d'autres pays membres de l'Arrangement de Wassenaar. Veuillez consulter votre expert professionnel en questions juridiques ou en conformité ou les autorités

de votre gouvernement local pour toute exigence de permis d'exportation si vous prévoyez de transférer, d'exporter ou de réexporter des produits de la série thermique entre différents pays.

Español

1 Préparation

Requisitos básicos

- Todas las operaciones electrónicas deben cumplir estrictamente con la normativa de seguridad eléctrica, la normativa de prevención de incendios y otras normativas relacionadas en su país.
- Revise el contenido del paquete y asegúrese de que el dispositivo esté en buenas condiciones y se incluyan todas las piezas de montaje.
- Utilice el sistema de acuerdo con los requisitos del entorno operativo.

Comprobación del entorno de instalación

- Asegúrese de que haya suficiente espacio para instalar la cámara y los accesorios.
- Asegúrese de que la pared sea lo suficientemente resistente para soportar 8 veces el peso de la cámara y el soporte de montaje.

Preparación de los cables

- Según el ancho de banda de red actual, hará falta un Cat5 (hasta los 100 Mbps) o un Cat6 (por encima de los 100 Mbps).
- Si la cámara se conecta a la alimentación eléctrica estándar de 12 V CC, el cable de alimentación deberá ser del calibre de alambre estadounidense 18 o superior. La fórmula de la sección transversal S (mm²) y la distancia de transmisión máxima L (m) del cable pelado es $L = 50 \times S$.
- Seleccione el cable de vídeo según la longitud de transmisión. El vídeo deberá cumplir con los siguientes requisitos: 75 Ω de

resistencia; 100 % hilo conductor de núcleo de cobre; 95 % tejido con revestimiento de cobre.

Preparación de las herramientas

Antes de la instalación, prepare las herramientas necesarias como, por ejemplo, los tornillos de expansión, el martillo eléctrico, el taladro eléctrico, la llave inglesa, el destornillador, el electrodo explorador y el cable de red.

Embalaje original

Tras desembalar la cámara, guarde el embalaje original por si tiene que devolver o reparar la cámara. Puede guardar la cámara con el embalaje.

Nota:

El usuario será responsable de cualquier daño provocado al transportar el dispositivo con un embalaje que no sea el original.

2 Descripción del aspecto

2.1 Aspecto

Consulte la siguiente imagen para comprobar el aspecto de la cámara.

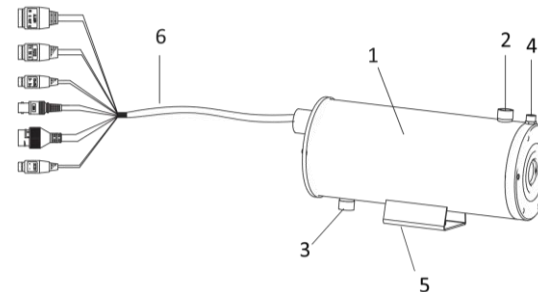


Imagen 2-1 Aspecto

Tabla 2-1 Descripción del dispositivo

Núm.	Descripción
1	Cámara
2	Salida de aire/agua G1/2
3	Entrada de aire/agua G1/2
4	Entrada de aire G1/4
5	Base de montaje
6	Cables

Tabla 2-2 Descripción del dispositivo

Núm.	Descripción
1	Entrada/salida de alarma
2	Cable RS-232
3	Cable RS-485
4	Cable CVBS
5	Cable de red RJ45
6	Cable de alimentación

- Asegúrese de que los cables del dispositivo estén bien protegidos y tome medidas de refuerzo y protección durante el cableado.
- Evite golpear los cables y dañar el anillo magnético o puede que el dispositivo no funcione correctamente.
- Asegúrese de que los cables no estén muy flojos ni demasiado tensos.
- Técnicos profesionales se deben encargar del cableado. Si el dispositivo no funciona correctamente, puede comprobar la información anterior para resolver los problemas.

2.2 Descripción de los cables

Las interfaces del cable de la cámara se muestran en la imagen 2-20.

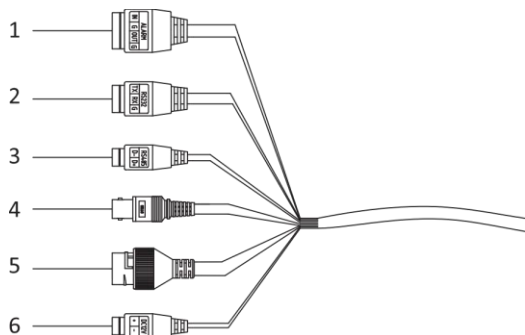


Imagen 2-2 Cables de la cámara

3 Instalación

3.1 Cableado

Tenga siempre en cuenta el entorno de la instalación y la posición del dispositivo al planificar el cableado. Para garantizar una señal de transmisión y un suministro de energía estables, siga las normas a continuación:

- Compruebe el entorno de instalación antes de realizar el cableado, por ejemplo: la distancia de los cables, el entorno del cableado, las interferencias del campo magnético, etc.
- La tensión nominal del cable deberá ser superior a la del dispositivo, de modo que el dispositivo pueda funcionar correctamente cuando se produzcan inestabilidades de tensión.
- Se recomienda utilizar un único cable entero para realizar el cableado; si no, se deberán tomar medidas de refuerzo para proteger el punto de conexión entre ambos cables, o puede que el dispositivo no funcione correctamente con el paso del tiempo.

3.2 Instalación de la cámara

Antes de empezar:

El soporte no se incluye en el paquete. Adquiéralo por separado.

Pasos:

1. Taladre cuatro orificios en la pared según las dimensiones de la plantilla del soporte de pared.

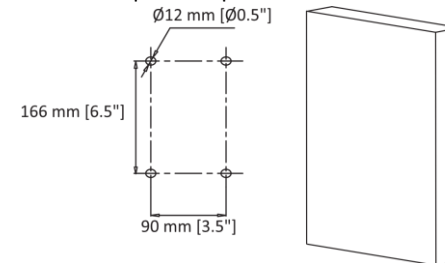


Imagen 3-1 Taladrar agujeros en la pared

2. Taladre cuatro tornillos M8 en los agujeros.

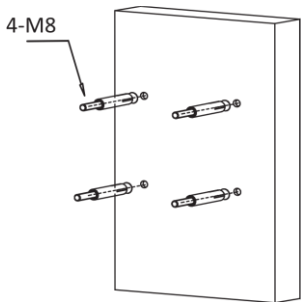


Imagen 3-2 Taladrar tornillos M8 en los agujeros

3. Afloje y retire los tornillos para desmontar la junta PT.

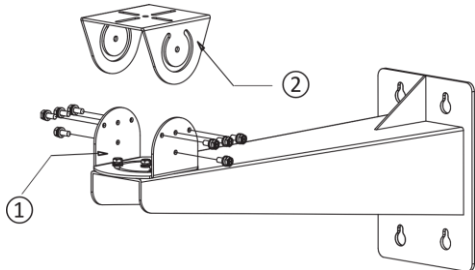


Imagen 3-3 Desmontar la junta PT

Nota: ①: Parte inferior de la junta PT; ②: Parte superior de la junta PT

4. Alinee los cuatro orificios del soporte con los cuatro tornillos M8 en la pared, instale el soporte en la pared y apriete los tornillos.

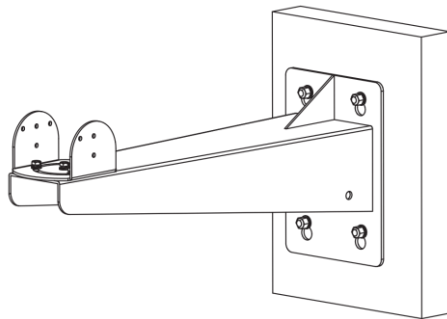


Imagen 3-4 Instalación del soporte

5. Afloje los cuatro tornillos M6 de la parte inferior de la junta PT para ajustar el ángulo de rotación y luego apriete los tornillos. El ángulo de rotación oscila entre -45° y 45° .

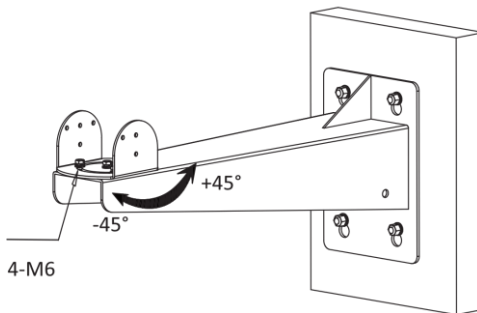


Figura 3-5 Ángulo de rotación

6. Instale la parte superior de la junta PT en la base de montaje de la cámara con cuatro tornillos M6.

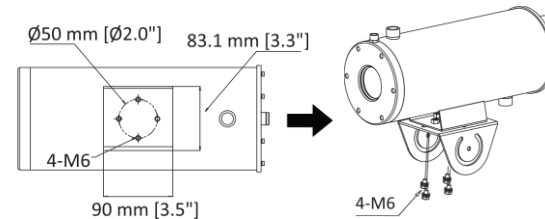


Imagen 3-6 Instalar la parte superior de la junta PT con la cámara

7. Enrosque los 8 tornillos M6 y ajuste el ángulo de inclinación de la cámara. Apriete los tornillos después de realizar el ajuste. El ángulo de inclinación oscila entre -45° y 45° .

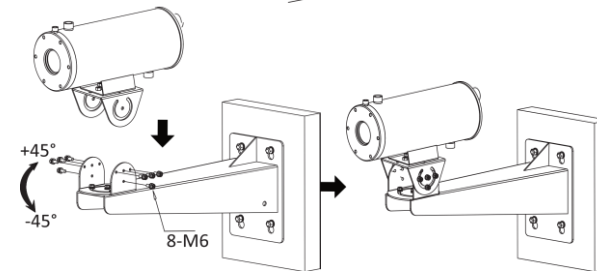


Imagen 3-7 Ajustar el ángulo de inclinación

3.3 Instalación de retirada del polvo y enfriamiento

El enfriamiento del aire o el agua es necesario para enfriar el módulo de la cámara térmica si el dispositivo se utiliza en ambientes con altas temperaturas. La instalación de retirada del polvo ayuda a retirar el polvo de la ventana del dispositivo y a enfriarlo, de modo que la imagen sea más clara.

Antes de empezar:

Seleccione un modo de enfriamiento adecuado según el entorno de uso del dispositivo.

- Si la temperatura de funcionamiento se encuentra entre 50 °C y 100 °C (incluyendo 100 °C), seleccione el modo de enfriamiento por aire.
- Si la temperatura de funcionamiento se encuentra entre 100 °C y 200 °C (incluyendo 200 °C), seleccione el modo de enfriamiento por agua.

3.3.1 Instalación de retirada del polvo y enfriamiento por aire

Puede introducir aire comprimido para reducir la temperatura de la cavidad del dispositivo.

Pasos:

1. Conecte la salida del aire comprimido y ① (entrada de aire G1/2) en la parte inferior del dispositivo con ② (tubo roscado G1/2).

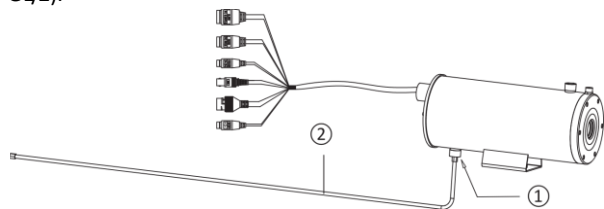


Imagen 3-8 Conexión del tubo para el enfriamiento por aire

Nota:

La longitud del tubo roscado en el embalaje es de 1 m; puede adquirir el tubo de acuerdo con los requisitos de instalación reales.

2. Conecte ③ (salida de aire G1/2) y ④ (entrada de aire G1/4) con ⑤ (adaptador), luego el aire comprimido podrá retirar el polvo de la ventana del dispositivo.

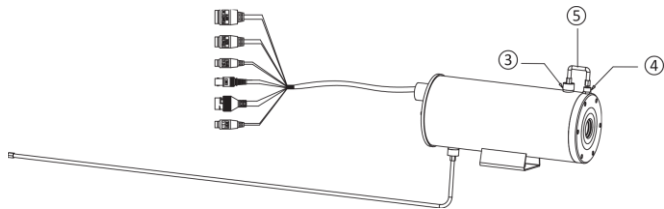


Imagen 3-9 Instalación de retirada del polvo

3. Envuelva el tubo roscado con los materiales de aislamiento térmico. Se recomienda aerogel y silicato de aluminio.

3.3.2 Instalación de retirada del polvo y enfriamiento por agua

Puede introducir agua de enfriamiento para reducir la temperatura de la cavidad del dispositivo.

Pasos:

1. Conecte la salida del agua de enfriamiento y ⑥ (entrada de agua G1/2) en la parte inferior del dispositivo con ② (un tubo roscado G1/2) y conecte la entrada trasera del agua y ⑦ (salida de agua G1/2) en la parte superior del dispositivo con ② (el otro tubo roscado G1/2).

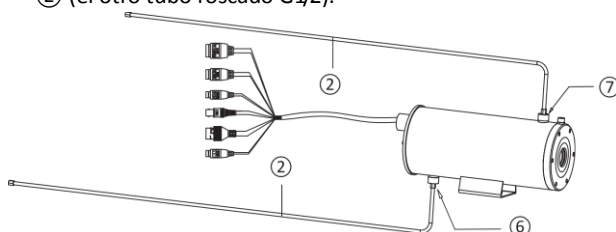


Imagen 3-10 Conexión del tubo para el enfriamiento por agua

Nota:

Asegúrese de que las juntas de sellado en los extremos de los tubos estén bien instaladas o la impermeabilidad se podría ver afectada.

2. Conecte la salida de aire comprimido y ④ (entrada de aire G1/4) en la parte superior del dispositivo con ⑧ (tubo roscado G1/4), luego el aire comprimido podrá retirar el polvo de la ventana del dispositivo.

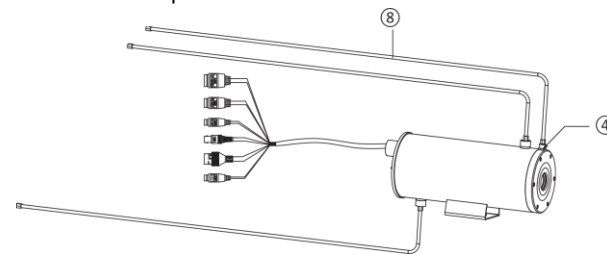


Imagen 3-11 Instalación de retirada del polvo

Nota:

La longitud del tubo roscado en el embalaje es de 1 m; puede adquirir el tubo de acuerdo con los requisitos de instalación reales.

3. Envuelva los tres tubos roscados con los materiales de aislamiento térmico. Se recomienda aerogel y silicato de aluminio.

4 Activación y acceso a la cámara de red

Vaya a www.hikmicrotech.com para descargar e instalar HIKMICRO Studio. Consulte el manual de usuario del dispositivo para obtener más información sobre el funcionamiento.

Información legal


©2022 Hangzhou Microimage Software Co., Ltd. Todos los derechos reservados.

Sobre este manual

Este manual incluye las instrucciones de uso y gestión del producto. Las figuras, gráficos, imágenes y cualquier otra información que encontrará en lo sucesivo tienen únicamente fines descriptivos y aclaratorios. La información incluida en el manual está sujeta a cambios, sin aviso previo, debido a las actualizaciones de software u otros motivos. Visite el sitio web de HIKMICRO (www.hikmicrotech.com/) para encontrar la última versión de este manual.

Utilice este manual con la guía y asistencia de profesionales capacitados en el soporte del producto.

Reconocimiento de marcas comerciales

 y otras marcas comerciales y logotipos de HIKMICRO son propiedad de HIKMICRO en diferentes jurisdicciones. Las demás marcas comerciales y logotipos mencionados son propiedad de sus respectivos dueños.

Descargo de responsabilidad

EN LA MEDIDA MÁXIMA PERMITIDA POR LAS LEYES APLICABLES, ESTE MANUAL Y EL PRODUCTO DESCRITO —INCLUIDOS SU HARDWARE, SOFTWARE Y FIRMWARE— SE SUMINISTRAN «TAL CUAL» Y «CON TODOS SU FALLOS Y ERRORES». HIKMICRO NO OFRECE GARANTÍAS, EXPLÍCITAS O IMPLÍCITAS, INCLUIDAS, A MODO MERAMENTE ENUNCIATIVO MAS NO LIMITATIVO, AQUELLAS DE COMERCIABILIDAD, CALIDAD SATISFACTORIA O IDONEIDAD PARA UN PROPÓSITO EN PARTICULAR. EL USO QUE HAGA DEL PRODUCTO CORRE BAJO SU ÚNICO RIESGO. EN NINGÚN CASO, HIKMICRO PODRÁ CONSIDERARSE RESPONSABLE ANTE USTED DE NINGÚN DAÑO ESPECIAL, CONSECUENTE, INCIDENTAL O INDIRECTO, INCLUYENDO, ENTRE OTROS, DAÑOS POR PÉRDIDAS DE BENEFICIOS COMERCIALES, INTERRUPCIÓN DE LA ACTIVIDAD COMERCIAL, PÉRDIDA DE DATOS, CORRUPCIÓN DE LOS SISTEMAS O PÉRDIDA DE DOCUMENTACIÓN, YA SEA POR INCUMPLIMIENTO DEL CONTRATO, AGRAVIO (INCLUYENDO NEGLIGENCIA), RESPONSABILIDAD DEL PRODUCTO O EN RELACIÓN CON EL USO DEL PRODUCTO, INCLUSO CUANDO HIKMICRO HAYA RECIBIDO UNA NOTIFICACIÓN DE LA POSIBILIDAD DE DICHOS DAÑOS O PÉRDIDAS. USTED RECONOCE QUE LA NATURALEZA DE INTERNET IMPLICA RIESGOS DE SEGURIDAD INHERENTES Y QUE HIKMICRO NO TENDRÁ NINGUNA RESPONSABILIDAD POR NINGÚN FUNCIONAMIENTO ANORMAL,

FILTRACIONES DE PRIVACIDAD U OTROS DAÑOS RESULTANTES DE ATAQUES CIBERNÉTICOS, ATAQUES DE PIRATAS INFORMÁTICOS, INFECCIONES DE VIRUS U OTROS RIESGOS DE SEGURIDAD PROPIOS DE INTERNET; NO OBSTANTE, HIKMICRO PROPORCIONARÁ EL APOYO TÉCNICO OPORTUNO DE SER NECESARIO. USTED ACEPTA USAR ESTE PRODUCTO DE CONFORMIDAD CON TODAS LAS LEYES APLICABLES Y SOLO USTED ES EL ÚNICO RESPONSABLE DE ASEGURAR QUE EL USO CUMPLA CON DICHAS LEYES. EN ESPECIAL, USTED ES RESPONSABLE DE USAR ESTE PRODUCTO DE FORMA QUE NO INFRINJA LOS DERECHOS DE TERCEROS, INCLUYENDO, DE MANERA ENUNCIATIVA MAS NO LIMITATIVA, DERECHOS DE PUBLICIDAD, DERECHOS DE PROPIEDAD INTELECTUAL, DERECHOS RELATIVOS A LA PROTECCIÓN DE DATOS Y OTROS DERECHOS RELATIVOS A LA PRIVACIDAD. NO UTILIZARÁ ESTE PRODUCTO PARA NINGÚN USO FINAL PROHIBIDO, INCLUYENDO EL DESARROLLO O LA PRODUCCIÓN DE ARMAS DE DESTRUCCIÓN MASIVA, EL DESARROLLO O PRODUCCIÓN DE ARMAS QUÍMICAS O BIOLÓGICAS, NINGUNA ACTIVIDAD EN EL CONTEXTO RELACIONADO CON ALGÚN EXPLOSIVO NUCLEAR O EL CICLO DE COMBUSTIBLE NUCLEAR INSEGURO O EN APOYO DE ABUSOS DE LOS DERECHOS HUMANOS. EN CASO DE HABER CONFLICTO ENTRE ESTE MANUAL Y LA LEGISLACIÓN VIGENTE, ESTA ÚLTIMA PREVALECE.

Información normativa

Estas cláusulas solo se aplican a los productos que lleven la marca o la información correspondiente.

Declaración de conformidad de la UE

Este producto y, cuando corresponda, los accesorios incluidos, también tienen la marca «CE» y por tanto cumplen con los estándares europeos armonizados enumerados bajo la directiva de CEM 2014/30/UE, la directiva RoHS 2011/65/UE.



2012/19/UE (directiva RAEE, residuos de aparatos eléctricos y electromagnéticos): En la Unión Europea, los productos marcados con este símbolo no pueden ser desechados en el sistema de basura municipal sin recogida selectiva. Para un reciclaje adecuado, entregue este producto en el lugar de compra del equipo nuevo equivalente o deshágase de él en el punto de recogida designado a tal efecto. Para más información visite: www.recyclethis.info.



2006/66/CE (directiva sobre baterías): Este producto lleva una batería que no puede ser desechada en el sistema municipal de basuras sin recogida selectiva dentro de la Unión Europea. Consulte la documentación del producto para ver la información específica de la batería. La batería lleva marcado este símbolo, que incluye unas letras indicando si contiene cadmio (Cd), plomo (Pb), o mercurio (Hg). Para un reciclaje adecuado, entregue la batería a su vendedor o llévela al punto de recogida de basuras designado a tal efecto. Para más información vea la página web: www.recyclethis.info.

Instrucciones de seguridad

Estas instrucciones están destinadas a garantizar que el usuario pueda utilizar el producto correctamente para evitar peligros o pérdidas materiales.

Leyes y normativas

- Para usar el producto debe cumplir estrictamente con la normativa de seguridad eléctrica de su país y región.

Transporte

- Guarde el dispositivo en su paquete original o en uno similar cuando lo transporte.
- Guarde el embalaje para uso futuro. En el caso de que ocurra algún fallo, deberá devolver el dispositivo a la fábrica con el envoltorio original. En caso de transporte sin el envoltorio original podría resultar en daños en el dispositivo y la empresa no se hará responsable.
- No deje caer el producto ni lo someta a impactos físicos. Mantenga el dispositivo alejado de interferencias magnéticas.

Fuente de alimentación

- Debe adquirir el cargador por su cuenta. El voltaje de entrada debe cumplir con los requisitos de fuente de alimentación de potencia limitada (12 V CC) de conformidad con la norma IEC62368. Consulte las especificaciones técnicas para obtener información detallada.
- Asegúrese de que el enchufe esté correctamente conectado a la toma de corriente.
- La toma de corriente tiene que estar cerca del equipo y ser de fácil acceso.
- NO conecte múltiples dispositivos a un mismo adaptador de corriente, para evitar el sobrecalentamiento y los riesgos de incendio

por sobrecarga.

- NO toque los contactos metálicos desnudos de las entradas después de que se apague el disyuntor. Todavía tienen electricidad.
- + identifica los terminales positivos de los equipos que se utilizan con corriente continua o que la generan. - identifica los terminales negativos de los equipos que se utilizan con corriente continua o que la generan.

Batería

- **PRECAUCIÓN:** Riesgo de explosión si se reemplaza la batería por otra de tipo incorrecto.
- Deshágase de las baterías usadas conforme a las instrucciones.
- Una sustitución inadecuada de la batería por otra de tipo incorrecto podría inhabilitar alguna medida de protección (por ejemplo, en el caso de algunas baterías de litio).
- No arroje la batería al fuego ni la meta en un horno caliente, ni intente aplastar o cortar mecánicamente la batería, ya que podría explotar.
- No deje la batería en lugares con temperaturas extremadamente altas, ya que podría explotar o tener fugas de líquido electrolítico o gas inflamable.
- No permita que la batería quede expuesta a una presión de aire extremadamente baja, ya que podría explotar o tener fugas de líquido electrolítico o gas inflamable.

Instalación

- No coloque nunca el equipo en una ubicación inestable. El equipo podría caer y provocar graves lesiones o la muerte.
- Este equipo está diseñado para usarse solo con los soportes correspondientes. Su uso con otro tipo de soporte (carros, estantes o transportadores) podría ser inestable y ocasionar lesiones.

Seguridad del sistema


- Usted reconoce que la naturaleza de internet entraña riesgos de seguridad y que nuestra empresa no está obligada a asumir ninguna responsabilidad debido a un funcionamiento anómalo, una vulneración de la privacidad o cualquier otro daño resultante de un ciberataque o un ataque por parte de piratas informáticos; no obstante, nuestra empresa proporcionará la asistencia técnica necesaria de forma oportuna si fuera necesario.
- Garantice la protección de la información personal y la seguridad de datos, ya que el dispositivo puede encontrar problemas de seguridad cuando esté conectado a internet. Póngase en contacto con nosotros si se compromete la seguridad en la red del dispositivo.

- Recuerde que es su responsabilidad instalar las contraseñas y las demás configuraciones de seguridad del dispositivo. Proteja su nombre de usuario y contraseña.

Mantenimiento

- Si el producto no funciona correctamente, por favor, póngase en contacto con su distribuidor o con el centro de servicio técnico más próximo. No nos haremos responsables de los problemas derivados de una reparación o mantenimiento no autorizados.
- Algunos componentes del dispositivo (p. ej.: el condensador electrolítico) necesita una sustitución periódica. La vida útil promedio puede variar, por lo que se recomienda una revisión periódica. Contacte con su vendedor para más detalles.
- Limpie suavemente el dispositivo con una gamuza limpia con una pequeña cantidad de etanol, si fuese necesario.
- Si se utiliza el equipo de una manera no especificada por el fabricante, la protección del dispositivo podría verse mermada.
- Para reducir el riesgo de incendio, reemplace el fusible por otro del mismo tipo y clasificación.
- El puerto serie del equipo se utiliza únicamente con fines de depuración.

Entorno de uso

- Compruebe que el entorno de uso se adapte a los requisitos del dispositivo. La temperatura de funcionamiento debe estar entre 0 °C y 200 °C, según el sistema de instalación, y la humedad debe ser del 95 % o inferior.
- Coloque el dispositivo en un entorno seco y con buena ventilación.
- NO exponga el dispositivo a radiaciones electromagnéticas o entornos polvorientos.
- NO oriente la lente hacia el sol ni a otras luces brillantes.
- No se expondrá el equipo a goteos ni salpicaduras y no se colocarán sobre él objetos llenos de líquidos, como jarrones.
- No coloque llamas abiertas, como velas encendidas, sobre el equipo.
- En ubicaciones especiales, como en la cima de una montaña, en una torre de hierro y en un bosque, instale un supresor de sobretensiones en la abertura de entrada del equipo.
- Dedos quemados al manipular las piezas con el símbolo . Espere media hora después de apagar el equipo para tocar las partes.

Emergencia

- Si hay presencia de humo, olores o ruidos procedentes del dispositivo, apague la alimentación inmediatamente, desenchufe el cable de alimentación y contacte con el servicio técnico.

AVISO DE CONFORMIDAD: Los productos de las series térmicas podrían estar sujetos a controles de exportación en algunos países o regiones; entre ellos, por ejemplo, los Estados Unidos, la Unión Europea, el Reino Unido y/o otros países miembros del Arreglo de Wassenaar. Consulte con algún experto en cumplimiento normativo y legal o con las autoridades gubernamentales locales para cumplir con los requisitos de licencia de exportación necesarios si desea transferir, exportar o reexportar los productos de las series térmicas entre distintos países.

Italiano

1 Preparazione

Requisiti di base

- Tutte le operazioni sui componenti elettronici devono essere eseguite rispettando le norme sulla sicurezza elettrica e sulla prevenzione degli incendi, oltre che qualsiasi altra norma locale in materia.
- Controllare il contenuto della confezione per verificare che il dispositivo sia in buone condizioni e che tutti gli elementi di assemblaggio siano presenti.
- Utilizzare il prodotto in base ai requisiti dell'ambiente di lavoro.

Controllo dell'ambiente di installazione

- Controllare che lo spazio sia sufficiente per installare la telecamera e gli accessori.
- Verificare che la parete sia abbastanza resistente da sopportare almeno 8 volte il peso della telecamera e del supporto.

Preparazione dei cavi

- In base all'effettiva larghezza di banda della rete, è necessario utilizzare cavi Cat5 (fino a 100 M) o Cat6 (oltre 100 M).
- Se con la telecamera si utilizza un alimentatore standard da

12 VCC, la sezione del cavo deve essere 18 AWG o superiore. Per calcolare la distanza massima di trasmissione L (m) del filo nudo in relazione alla sezione S (mm²), si usa la formula $L=50*S$.

- Scegliere il cavo video in base alla distanza di trasmissione. Il cavo deve soddisfare i seguenti requisiti minimi: Resistenza 75 Ω, filo 100% rame con nucleo conduttore, schermatura intrecciata 95% rame.

Preparazione degli strumenti

Prima dell'installazione, preparare gli strumenti necessari come i tasselli, il martello, il trapano, la chiave inglese, il cacciavite, il cerca-fase e il cavo di rete.

Confezione originale

Quando si disimballa la telecamera, conservare correttamente la confezione originale per riutilizzarla in caso di restituzione o riparazione. È possibile imballare la telecamera nella confezione.

Nota:

l'utente sarà responsabile di eventuali danni causati durante il trasporto in caso di utilizzo di un imballaggio non originale.

2 Descrizione

2.1 Aspetto

Per l'aspetto della telecamera, osservare la seguente figura.

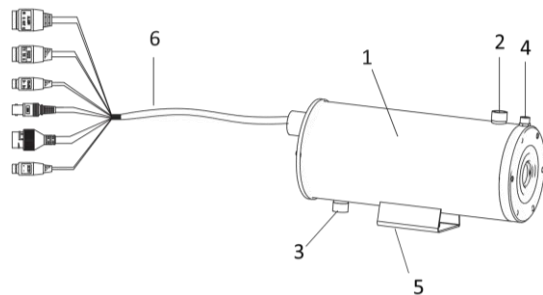


Figura 2-1 Aspetto

Tabella 2-1 Descrizione del dispositivo

N.	Descrizione
1	Telecamera
2	Uscita acqua/aria G1/2
3	Ingresso acqua/aria G1/2
4	Ingresso aria G1/4
5	Base di montaggio
6	Cavi

2.2 Descrizione del cablaggio

I cavi di interfaccia della telecamera sono mostrati nella Figura 2-20.

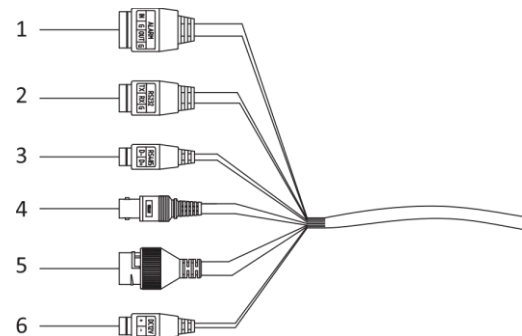


Figura 2-2 Cavi della telecamera

Tabella 2-2 Descrizione del dispositivo

N.	Descrizione
1	Ingresso/uscita di allarme
2	Cavo RS-232
3	Cavo RS-485
4	Cavo CVBS
5	Cavo di rete RJ-45
6	Cavo di alimentazione

3 Installazione

3.1 Cablaggio

Per organizzare il cablaggio, considerare l'ambiente di installazione e la posizione del dispositivo. Per la garantire un'alimentazione e una trasmissione del segnale stabili, seguire attentamente queste precauzioni:

- Verificare l'ambiente di installazione prima di eseguire il cablaggio, valutando la distanza di cablaggio, l'ambiente, eventuali interferenze di campi magnetici ecc.
- Controllare che la tensione nominale del cavo sia superiore a quella del dispositivo, che così potrà funzionare normalmente anche in caso di sbalzi di tensione.
- Per il cablaggio è consigliabile utilizzare un cavo unico, senza giunzioni; in caso contrario è necessario adottare misure opportune per proteggere il punto di giunzione, altrimenti il dispositivo potrebbe funzionare in modo anomalo via via che il circuito invecchia.
- Verificare che i cavi del dispositivo siano ben protetti e adottare le opportune misure e protezioni durante il cablaggio.
- Evitare di sottoporre i cavi a impatti e di danneggiare l'anello magnetico, altrimenti il dispositivo potrebbe funzionare in modo anomalo.
- Verificare che i cavi non siano troppo lenti o troppo tesi.
- Il cablaggio deve essere eseguito da un elettricista professionista. Se il dispositivo non funziona correttamente, consultare le informazioni riportate qui sopra per la risoluzione dei problemi.

3.2 Installazione della telecamera

Prima di iniziare:

La staffa non è inclusa nella confezione. È acquistabile separatamente.

Procedura:

1. Praticare i quattro fori sulla parete in base alle dimensioni della staffa di montaggio.

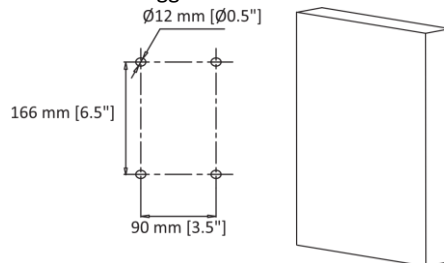


Figura 3-1 Praticare i fori sulla parete

2. Inserire nei fori quattro viti M8.

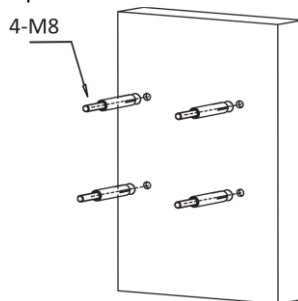


Figura 3-2 Inserire le viti M8 nei fori

3. Allentare e rimuovere le viti per disassemblare il giunto snodato.

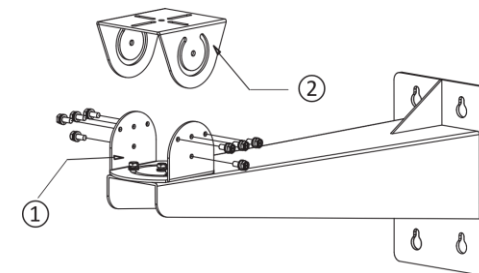


Figura 3-3 Disassemblare il giunto snodato

Nota: ①: Base del giunto snodato; ②: Parte superiore del giunto snodato

4. Allineare i quattro fori della staffa con le quattro viti M8 sulla parete, installare la staffa sulla parete e serrare le viti.

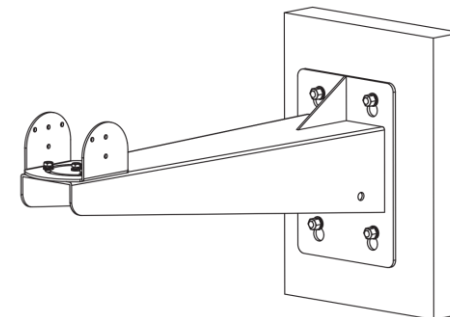


Figura 3-4 Installare la staffa

5. Allentare le quattro viti M6 sulla base del giunto snodato per regolare l'angolo della panoramica e serrare le viti, dopo la regolazione. L'angolo della panoramica è compreso tra -45° e $+45^\circ$.

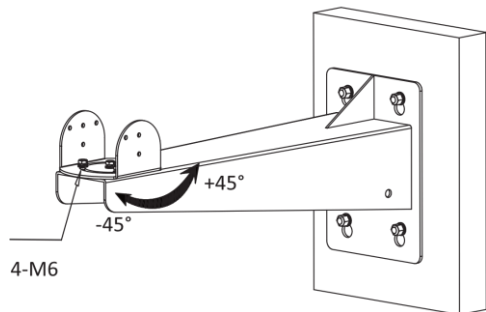


Figura 3-5 Regolazione dell'angolo della panoramica

6. Installare la parte superiore del giunto snodato sulla base di montaggio della telecamera con quattro viti M6.

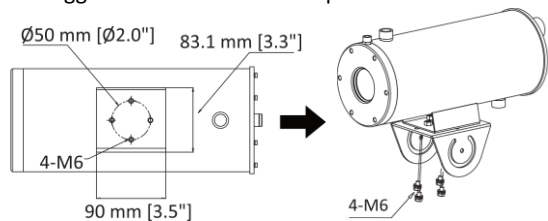


Figura 3-6 Installazione della parte superiore del giunto snodato sulla telecamera

7. Avvitare le otto viti M6 e regolare l'angolo di inclinazione della telecamera. Serrare le viti, dopo la regolazione. L'angolo di inclinazione è compreso tra -45° e $+45^\circ$.

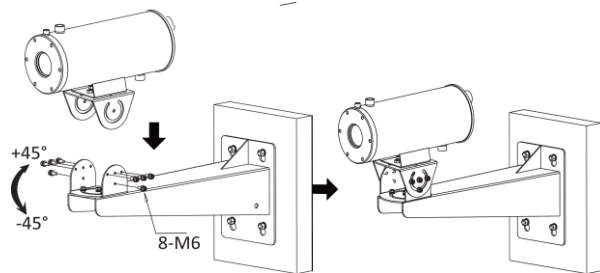


Figura 3-7 Regolazione dell'angolo di inclinazione

3.3 Installazione del sistema di raffreddamento e del sistema di rimozione della polvere

Il raffreddamento ad aria o acqua è necessario per raffreddare la telecamera se viene utilizzata in un ambiente ad alta temperatura. Il sistema di rimozione della polvere rimuove la polvere dalla finestra del dispositivo e raffredda il dispositivo, per immagini più nitide.

Prima di iniziare:

Selezionare un metodo di raffreddamento adeguato, in base all'ambiente di utilizzo del dispositivo.

- Se la temperatura di esercizio è compresa tra 50°C e 100°C (compresi), selezionare il metodo di raffreddamento ad aria.
- Se la temperatura di esercizio è compresa tra 100°C e 200°C (compresi), selezionare il metodo di raffreddamento ad acqua.

3.3.1 Installazione del sistema di raffreddamento ad aria e del sistema di rimozione della polvere

È possibile introdurre aria compressa per ridurre la temperatura all'interno del dispositivo.

Procedura:

1. Collegare l'uscita dell'aria compressa e l'ingresso dell'aria G1/2 ① nella parte inferiore del dispositivo al tubo filettato avvitato G1/2 ②.

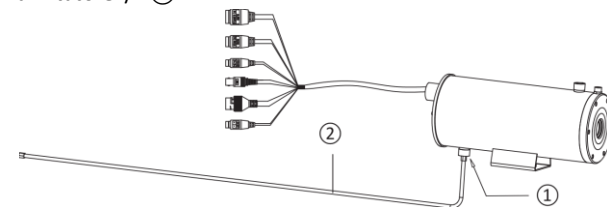


Figura 3-8 Collegamento del tubo per il raffreddamento ad aria

Nota:

Il tubo filettato in dotazione è lungo 1 m; è possibile acquistare un tubo diverso in base alle esigenze di installazione.

2. Collegare l'uscita dell'aria G1/2 ③ e l'ingresso dell'aria G1/4 ④ utilizzando l'adattatore ⑤, affinché l'aria compressa rimuova la polvere dalla finestra del dispositivo.

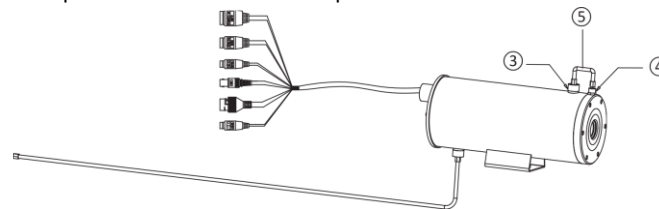


Figura 3-9 Installazione del sistema di rimozione della polvere

3. Avvolgere intorno al tubo filettato materiali per l'isolamento termico. Si consiglia di utilizzare aerogel e silicato di alluminio.

3.3.2 Installazione del sistema di raffreddamento ad acqua e del sistema di rimozione della polvere

È possibile introdurre acqua di raffreddamento per ridurre la temperatura all'interno del dispositivo.

Procedura:

1. Collegare l'uscita dell'acqua di raffreddamento e l'ingresso dell'acqua G1/2 ⑥ nella parte inferiore del dispositivo con un tubo filettato G1/2 ② e collegare l'ingresso dell'acqua di ritorno e l'uscita dell'acqua G1/2 ⑦ nella parte superiore del dispositivo con un tubo filettato G1/2 ②.

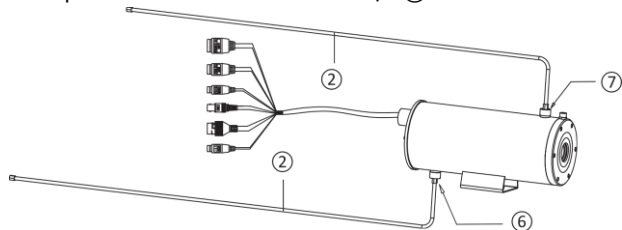


Figura 3-10 Collegamento del tubo per il raffreddamento ad acqua

Nota:

Verificare che le guarnizioni alle estremità dei tubi siano ben installate, altrimenti l'impermeabilità non sarà garantita.

2. Collegare l'uscita dell'aria compressa e l'ingresso dell'aria G1/4 ④ nella parte superiore del dispositivo con il tubo filettato G1/4 ⑧, affinché l'aria compressa rimuova la polvere dalla finestra del dispositivo.

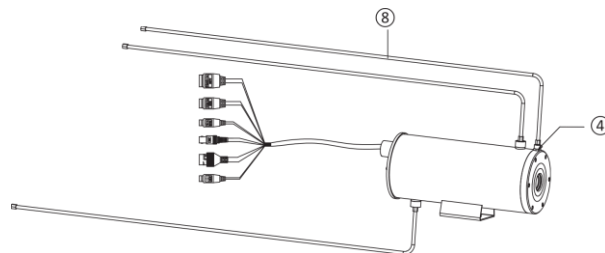


Figura 3-11 Installazione del sistema di rimozione della polvere

Nota:

Il tubo filettato in dotazione è lungo 1 m; è possibile acquistare un tubo diverso in base alle esigenze di installazione.

3. Avvolgere intorno ai tre tubi filettati materiali per l'isolamento termico. Si consiglia di utilizzare aerogel e silicato di alluminio.

4 Attivazione e accesso alla telecamera di rete

Visitare il sito www.hikmicrotech.com per scaricare e installare HIKMICRO Studio. Per informazioni dettagliate, consultare il manuale di istruzioni del dispositivo.

Informazioni legali

©2022 Hangzhou Microimage Software Co., Ltd. Tutti i diritti riservati.

Informazioni sul presente Manuale

Il presente Manuale contiene le istruzioni per l'uso e la gestione del prodotto. Le illustrazioni, i grafici e tutte le altre informazioni che seguono hanno solo scopi illustrativi ed esplicativi. Le informazioni contenute nel Manuale sono soggette a modifiche senza preavviso in seguito ad aggiornamenti del firmware o per altri motivi. Scaricare la

versione più recente del presente Manuale dal sito web di HIKMICRO (www.hikmicrotech.com/).

Utilizzare il presente Manuale con la supervisione e l'assistenza di personale qualificato nel supporto del prodotto.

Titolarità dei marchi

HIKMICRO e gli altri marchi registrati e loghi di HIKMICRO sono di proprietà di HIKMICRO nelle varie giurisdizioni.

Gli altri marchi registrati e loghi menzionati appartengono ai rispettivi proprietari.

Esclusione di responsabilità

NELLA MISURA MASSIMA CONSENTITA DALLA LEGGE VIGENTE, QUESTO MANUALE E IL PRODOTTO DESCRITTO, CON IL SUO HARDWARE, SOFTWARE E FIRMWARE, SONO FORNITI "COSÌ COME SONO" E "CON TUTTI I DIFETTI E GLI ERRORI". HIKMICRO NON RILASCIAMO ALCUNA GARANZIA, NÉ ESPRESSA NÉ IMPLICITA COME, SOLO A TITOLO DI ESEMPIO, GARANZIE DI COMMERCIALITÀ, QUALITÀ SODDISFACENTE O IDONEITÀ PER UN USO SPECIFICO. L'UTENTE UTILIZZA IL PRODOTTO A PROPRIO RISCHIO. HIKMICRO DECLINA QUALSIASI RESPONSABILITÀ VERSO L'UTENTE IN RELAZIONE A DANNI SPECIALI, CONSEGUENZIALI E INCIDENTALI, COMPRESI, TRA GLI ALTRI, I DANNI DERIVANTI DA MANCATO PROFITTO, INTERRUZIONE DELL'ATTIVITÀ O PERDITA DI DATI, DANNEGGIAMENTO DI SISTEMI O PERDITA DI DOCUMENTAZIONE, DERIVANTI DA INADEMPIENZA CONTRATTUALE, ILLECITO (COMPRESA LA NEGLIGENZA), RESPONSABILITÀ PER DANNI AI PRODOTTI O ALTRIMENTI IN RELAZIONE ALL'USO DEL PRODOTTO, ANCHE QUALORA HIKMICRO SIA STATA INFORMATA DELLA POSSIBILITÀ DI TALI DANNI O PERDITE.

L'UTENTE RICONOSCE CHE LA NATURA DI INTERNET PREVEDE RISCHI DI SICUREZZA INTRINSECI E CHE HIKMICRO DECLINA QUALSIASI RESPONSABILITÀ IN RELAZIONE A FUNZIONAMENTI ANOMALI, VIOLAZIONE DELLA RISERVATEZZA O ALTRI DANNI RISULTANTI DA ATTACCHI INFORMATICI, INFEZIONE DA VIRUS O ALTRI RISCHI LEGATI ALLA SICUREZZA SU INTERNET; TUTTAVIA, HIKMICRO FORNIRÀ TEMPESTIVO SUPPORTO TECNICO, SE NECESSARIO.

L'UTENTE ACCETTA DI UTILIZZARE IL PRODOTTO IN CONFORMITÀ A TUTTE LE LEGGI VIGENTI E DI ESSERE IL SOLO RESPONSABILE DI TALE UTILIZZO CONFORME. IN PARTICOLARE, L'UTENTE È RESPONSABILE DEL FATTO CHE L'UTILIZZO DEL PRODOTTO NON VIOLI DIRITTI DI TERZI COME, SOLO A TITOLO DI ESEMPIO, DIRITTI DI PUBBLICITÀ, DIRITTI DI PROPRIETÀ INTELLETTUALE O DIRITTI RELATIVI ALLA PROTEZIONE DEI DATI E ALTRI DIRITTI RIGUARDANTI LA PRIVACY. NON È CONSENTITO

UTILIZZARE QUESTO PRODOTTO PER SCOPI PROIBITI, COME, TRA GLI ALTRI, LA PRODUZIONE DI ARMI DI DISTRUZIONE DI MASSA, LO SVILUPPO O LA PRODUZIONE DI ARMI CHIMICHE O BIOLOGICHE, QUALSIASI ATTIVITÀ SVOLTA IN CONTESTI CORRELATI A ESPLOSIVI NUCLEARI O COMBUSTIBILI NUCLEARI NON SICURI O ATTIVITÀ CHE CAUSINO VIOLAZIONI DEI DIRITTI UMANI.

IN CASO DI CONFLITTO TRA IL PRESENTE MANUALE E LA LEGGE VIGENTE, PREVARRÀ QUEST'ULTIMA.

Informazioni sulle norme

Queste clausole si applicano solo ai prodotti recanti il marchio o le informazioni corrispondenti.

Dichiarazione di conformità UE



Questo prodotto e gli eventuali accessori in dotazione sono contrassegnati con il marchio "CE" e sono quindi conformi alle norme europee armonizzate vigenti di cui alla Direttiva CEM 2014/30/UE e alla Direttiva RoHS

2011/65/UE.



2012/19/UE (Direttiva RAEE): i prodotti contrassegnati con il presente simbolo non possono essere smaltiti come rifiuti domestici indifferenziati nell'Unione europea. Per lo smaltimento corretto, restituire il prodotto al rivenditore in occasione dell'acquisto di un nuovo dispositivo o smaltirlo nei punti di raccolta autorizzati. Ulteriori informazioni sono disponibili sul sito: www.recyclethis.info.



2006/66/CE (direttiva batterie): questo prodotto contiene una batteria e non è possibile smaltirlo con i rifiuti domestici indifferenziati nell'Unione europea. Consultare la documentazione del prodotto per le informazioni specifiche sulla batteria. La batteria è contrassegnata con il presente

simbolo, che potrebbe includere le sigle di cadmio (Cd), piombo (Pb) o mercurio (Hg). Per lo smaltimento corretto, restituire la batteria al rivenditore locale o smaltirla nei punti di raccolta autorizzati. Per ulteriori informazioni, visitare: www.recyclethis.info.

Istruzioni per la sicurezza

Le presenti istruzioni hanno lo scopo di garantire che il prodotto venga utilizzato in modo corretto, evitando situazioni di pericolo o danni materiali.

Leggi e regolamenti

- Durante l'uso del prodotto è indispensabile rispettare rigorosamente le normative nazionali e locali sulla sicurezza elettrica.

Trasporto

- Per trasportare il dispositivo, riporlo nella confezione originale o in una analoga.
- Dopo aver disimballato il prodotto, conservare tutto il materiale di imballaggio per riutilizzarlo in futuro. In caso di guasti, sarà necessario inviare il dispositivo al produttore nell'imballaggio originale. Il trasporto senza l'imballaggio originale può causare danni al dispositivo; in tal caso il produttore declina ogni responsabilità.
- NON lasciar cadere il prodotto e non sottoporlo a impatti. Tenere il dispositivo lontano dalle interferenze magnetiche.

Alimentazione

- L'alimentatore è acquistabile separatamente. La tensione in ingresso deve essere conforme alla norma IEC62368 sulle fonti di alimentazione limitate (12 VCC). Per informazioni dettagliate, consultare le specifiche tecniche.
- Verificare che la spina sia correttamente inserita nella presa di corrente.
- La presa deve essere nelle vicinanze del dispositivo ed essere facilmente accessibile.
- NON collegare più dispositivi allo stesso alimentatore per evitare rischi di surriscaldamento o di incendio da sovraccarico.
- NON toccare i contatti metallici scoperti degli ingressi nemmeno dopo aver aperto l'interruttore automatico. L'elettricità residua è pericolosa.
- + indica il terminale positivo dell'attrezzatura che ne fa uso o che genera la corrente diretta. Il simbolo - indica il terminale negativo dell'apparecchiatura in tensione o che genera corrente diretta.

Batteria

- **ATTENZIONE:** Esiste il rischio di esplosione se la batteria viene sostituita con una di tipo non corretto.
- Smaltire le batterie usate seguendo le istruzioni.
- La sostituzione della batteria con una di tipo non idoneo può impedire il corretto funzionamento dei sistemi di sicurezza (ad esempio con alcuni tipi di batterie al litio).
- Non gettare le batterie nel fuoco o in un forno caldo ed evitare di schiacciarle o tagliarle, per prevenire il rischio di esplosioni.
- Le batterie esposte a temperature ambientali eccessive possono

esplodere o perdere liquidi o gas infiammabili.

- NON sottoporre le batterie a una pressione atmosferica estremamente bassa, perché possono esplodere o perdere liquidi o gas infiammabili.

Installazione

- Non posizionare mai l'attrezzatura in modo instabile. L'attrezzatura potrebbe cadere, causando lesioni personali gravi e anche mortali.
- La presente attrezzatura deve essere usata solo con le staffe adeguate. L'uso con altri componenti (carrelli, sostegni o contenitori) potrebbe causare l'instabilità dell'attrezzatura e il rischio di lesioni personali.

Sicurezza del sistema


- L'utente riconosce che la natura di Internet comporta rischi intrinseci per la sicurezza e che la nostra azienda declina qualsiasi responsabilità in relazione a funzionamenti anomali, violazione della riservatezza o altri danni risultanti da attacchi informatici o attacchi di hacker; tuttavia, la nostra azienda fornirà tempestivo supporto tecnico, se necessario.
- Adottare le misure opportune per proteggere i dati personali e garantire la propria sicurezza poiché il dispositivo potrebbe essere esposto a rischi relativi alla sicurezza, quando è connesso a Internet. Invitiamo gli utenti a contattarci se il dispositivo dovesse causare rischi per la sicurezza della rete.
- L'utente ha la responsabilità di configurare tutte le password e le altre impostazioni di sicurezza relative al dispositivo e di conservare nome utente e password in modo sicuro.

Manutenzione

- Se il prodotto non funziona correttamente, rivolgersi al rivenditore o al centro di assistenza più vicino. Decliniamo qualsiasi responsabilità in relazione a problemi causati da interventi di riparazione o manutenzione non autorizzati.
- Alcuni componenti (ad esempio, il condensatore elettrolitico) devono essere sostituiti periodicamente. La durata media di questi elementi è variabile, quindi devono essere controllati regolarmente. Contattare il rivenditore per i dettagli.
- Se necessario, pulire delicatamente il dispositivo con un panno pulito imbevuto di una piccola quantità di alcool etilico.
- Se il dispositivo viene utilizzato in un modo non approvato dal produttore la garanzia potrebbe essere annullata.
- Per ridurre il rischio di incendi, sostituire i fusibili solo con altri dello stesso tipo e dello stesso valore nominale.

- La porta seriale del dispositivo serve solo per attività di debugging.

Ambiente di utilizzo

- Verificare che l'ambiente di utilizzo sia conforme ai requisiti del dispositivo. La temperatura operativa deve essere compresa tra 0 °C e 200 °C, in base all'impianto in cui il prodotto è installato e l'umidità non deve superare il 95%.
- Collocare il dispositivo in un ambiente asciutto e ben ventilato.
- NON esporre il dispositivo a radiazioni elettromagnetiche intense o ad ambienti polverosi.
- NON orientare l'obiettivo verso il sole o altre luci intense.
- L'attrezzatura non deve essere esposta a schizzi o gocciolamenti di liquidi; non poggiare sull'attrezzatura oggetti contenenti liquidi, ad esempio vasi.
- Non collocare sull'attrezzatura sorgenti di fiamme libere, come candele accese.
- Predisporre un soppressore di sovratensione all'apertura di ingresso dell'attrezzatura in condizioni particolari come vette di montagne, tralicci metallici o foreste.
- Esiste il rischio di ustioni alle dita quando si maneggiano componenti con il simbolo . Attendere mezz'ora dallo spegnimento prima di toccare gli elementi del dispositivo.

Emergenza

- Se il dispositivo emette fumo, odori o rumori, spegnerlo immediatamente e scollegare il cavo di alimentazione, quindi rivolgersi a un centro di assistenza.

AVVISO SULLA CONFORMITÀ: i prodotti termografici potrebbero essere soggetti a controlli sulle esportazioni in vari Paesi o regioni, tra cui Stati Uniti, Unione europea, Regno Unito e/o altri Paesi membri dell'accordo di Wassenaar. Consultare un legale o un esperto di conformità o le autorità governative locali per eventuali requisiti di licenza di esportazione necessari se si intende trasferire, esportare, riesportare i prodotti termografici tra diversi Paesi.

Português

1 Preparação

Requisitos básicos

- Todas as operações eletrónicas devem encontrar-se em rigorosa conformidade com os regulamentos de segurança elétrica, regulamentos de prevenção de incêndio e outros regulamentos relacionados na sua região.
- Verifique o conteúdo da embalagem e certifique-se de que o dispositivo na embalagem se encontra em boas condições e de que todas as peças de montagem estão incluídas.
- Utilize o sistema de acordo com os requisitos do ambiente de trabalho.

Verificação do ambiente para instalação

- Certifique-se de que há espaço suficiente para instalar a câmara e os acessórios.
- Certifique-se de que a parede é suficientemente resistente para suportar, pelo menos, 8 vezes o peso da câmara e do suporte.

Preparação dos cabos

- De acordo com a largura de banda da rede atual, é necessário um Cat5 (em 100 M) ou Cat6 (acima de 100 M).
- Quando a câmara utiliza a alimentação elétrica padrão de 12 V CC, o cabo de alimentação deve ter uma bitola 18 ou superior na escala americana normalizada. A fórmula da secção transversal S (mm²) e a distância máxima de transmissão L (m) do fio desencapado é $L=50*S$.
- Escolha o cabo de vídeo de acordo com o comprimento da transmissão. O vídeo deve, pelo menos, cumprir os seguintes requisitos: resistência de 75Ω; fio condutor de núcleo 100% de cobre; 95% de revestimento de malha de cobre.

Preparação das ferramentas

Antes da instalação, prepare as ferramentas necessárias, como os parafusos de expansão, o martelo elétrico, a broca elétrica, a chave inglesa, a chave de fendas, a sonda elétrica e o cabo de rede.

Embalagem original

Quando retirar a câmara da embalagem, guarde a embalagem original adequadamente na eventualidade de ser necessário proceder à devolução ou reparação da câmara. Poderá embalar a câmara na embalagem.

Nota:

o utilizador será responsável por quaisquer danos ocorridos durante o transporte se for utilizada uma embalagem não original.

2 Descrição do aspeto

2.1 Aspeto

Consulte a imagem que se segue para conhecer o aspeto da câmara.

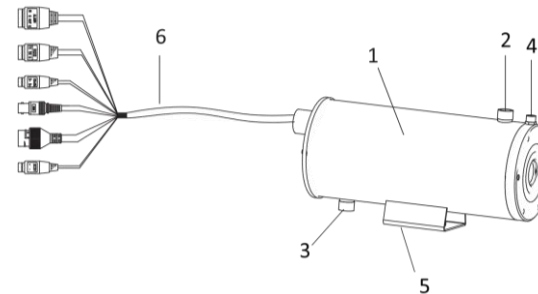


Figura 2-1 Aspeto

Tabela 2-1 Descrição do dispositivo

N.º	Descrição
1	Câmara
2	Saída de água/ar G1/2
3	Entrada de água/ar G1/2
4	Entrada de ar G1/4
5	Base de montagem
6	Cabos

2.2 Descrição dos cabos

As interfaces do cabo da câmara são apresentadas na Figura 2-20.

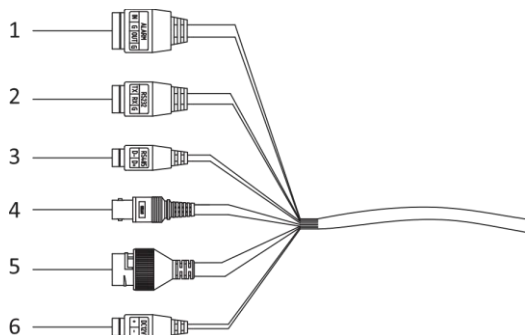


Figura 2-2 Cabos da câmara

Tabela 2-2 Descrição do dispositivo

N.º	Descrição
1	Entrada/Saída do alarme
2	Cabo RS-232
3	Cabo RS-485
4	Cabo CVBS
5	Cabo de rede RJ45
6	Cabo de alimentação

3 Instalação

3.1 Cablagem

Tenha em consideração o ambiente de instalação e a posição do dispositivo quando planejar a cablagem. A fim de assegurar uma alimentação elétrica estável e a transmissão de sinal, siga as regras abaixo de forma rigorosa:

- confirme o ambiente de instalação antes de colocar a cablagem, incluindo a distância da cablagem, ambiente da cablagem, interferência do campo magnético, etc.
- a tensão nominal do fio deve ser superior à exigida pelo dispositivo, para que este possa funcionar normalmente quando ocorrer instabilidade da tensão.
- recomenda-se a utilização de um único cabo completo para a cablagem; caso contrário, devem ser tomadas medidas de reforço para proteger o ponto de cablagem entre dois cabos, ou o dispositivo pode funcionar de forma anômala devido ao envelhecimento do circuito.
- certifique-se de que os cabos do dispositivo estão bem protegidos, e tome medidas de reforço e proteção durante a instalação da cablagem.

- evite colisões com os cabos e danos no anel magnético, ou o dispositivo pode funcionar de forma anômala.
- certifique-se de que os cabos não são demasiado redundantes ou demasiado esticados.
- A cablagem deve ser instalada por técnicos profissionais. Se o dispositivo não funcionar normalmente, pode verificar as informações acima referidas para a resolução de problemas.

3.2 Instalação da câmara

Antes de começar:

O suporte não está incluído na embalagem. Compre a lente separadamente.

Passos:

1. Perfure quatro orifícios na parede de acordo com as dimensões do modelo do suporte de montagem na parede.

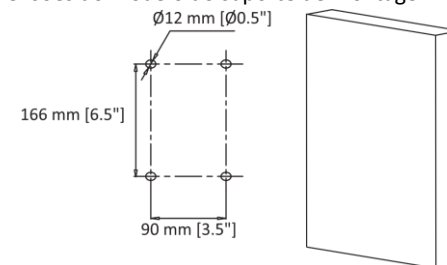


Figura 3-1 Perfure orifícios na parede

2. Insira quatro parafusos M8 nos orifícios.

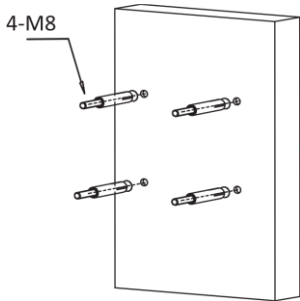


Figura 3-2 Insira parafusos M8 nos orifícios

3. Solte e retire os parafusos para desmontar a junta PT.

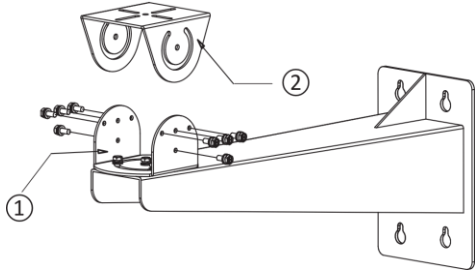


Figura 3-3 Desmonte a junta PT

Nota: ①: Parte inferior da junta PT; ②: Topo da junta PT

4. Alinhe os quatro orifícios do suporte com os quatro parafusos M8 na parede, instale o suporte na parede, e aperte os parafusos.

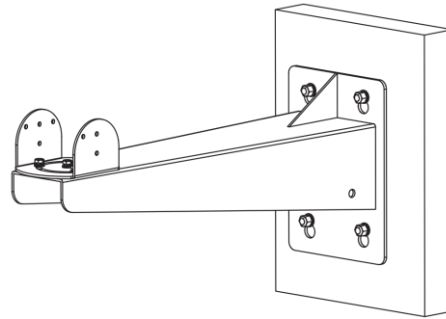


Figura 3-4 Instale o suporte

5. Desaperte os quatro parafusos M6 na parte inferior da junta PT para ajustar o ângulo de rotação, e aperte os parafusos após o ajuste. O ângulo de rotação varia entre -45° e 45°.

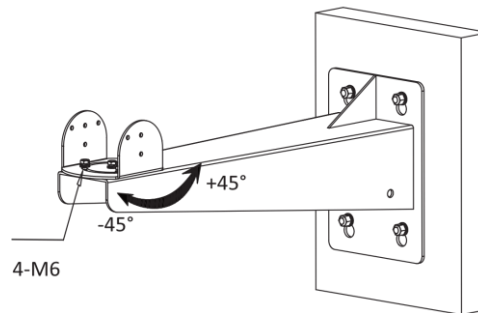


Figura 3-5 Ajuste o ângulo de rotação

6. Instale o topo da junta PT na base de montagem da câmara com quatro parafusos M6.

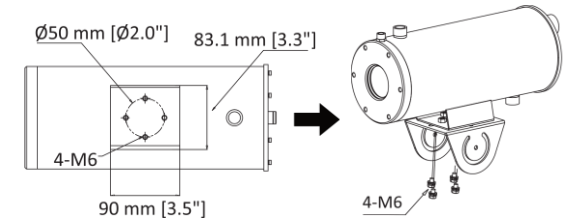


Figura 3-6 Instale o topo da junta PT com a câmara

7. Aparafuse os oito parafusos M6, e ajuste o ângulo de inclinação para a câmara. Aperte os parafusos após o ajuste. O ângulo de inclinação varia entre -45° e 45°.

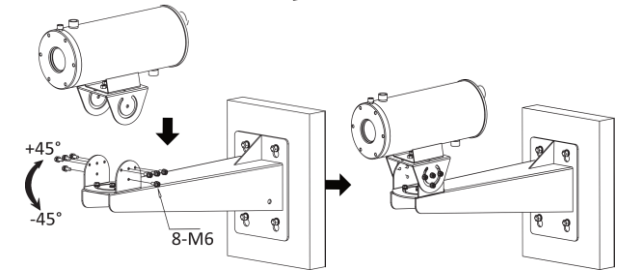


Figura 3-7 Ajuste o ângulo de inclinação

3.3 Instalação de arrefecimento e despoeiramento

O arrefecimento por ar ou água é necessário para arrefecer o módulo da câmara térmica se o dispositivo funcionar num ambiente com temperaturas elevadas. A instalação de despoeiramento ajuda a remover o pó da janela do dispositivo e a arrefecer o dispositivo, para que a imagem possa ser mais clara.

Antes de começar:

selecione um método de arrefecimento adequado, de acordo com o ambiente de funcionamento do dispositivo.

- Se a temperatura de funcionamento variar entre 50 °C e 100 °C (incluindo 100 °C), selecione o método de arrefecimento por ar.
- Se a temperatura de funcionamento variar entre 100 °C e 200 °C (incluindo 200 °C), selecione o método de arrefecimento por água.

3.3.1 Instalação de arrefecimento e despeiramento por ar

Pode introduzir ar comprimido para reduzir a temperatura da cavidade do dispositivo.

Passos:

1. Ligue a saída do ar comprimido e ① (entrada de ar G1/2) na parte inferior do dispositivo com ② (tubo aparafusado G1/2).

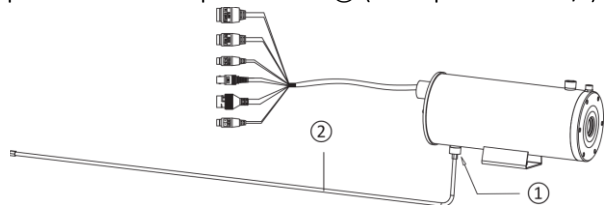


Figura 3-8 Ligação de tubo para arrefecimento por ar

Nota:

O comprimento do tubo aparafusado na embalagem é de 1 m, e pode adquirir o tubo de acordo com as necessidades reais de instalação.

2. Ligue ③ (saída de ar G1/2) e ④ (entrada de ar G1/4) com ⑤ (adaptador), e o ar comprimido poderá eliminar a poeira na janela do dispositivo.

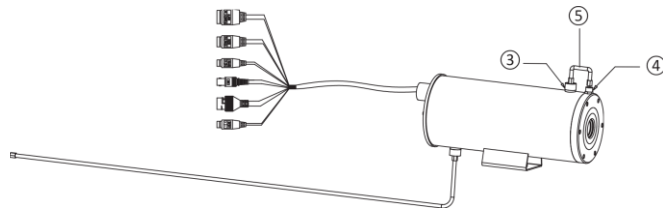


Figura 3-9 Instalação de despeiramento

3. Envolve o tubo aparafusado em materiais de isolamento térmico. Recomendamos a utilização de aerogel e silicato de alumínio.

3.3.2 Instalação de arrefecimento e despeiramento por água

Pode introduzir água de arrefecimento para reduzir a temperatura da cavidade do dispositivo.

Passos:

1. Ligue a saída de água de arrefecimento e ⑥ (entrada de água G1/2) na parte inferior do dispositivo com ② (um tubo aparafusado G1/2), e ligue a entrada de água de retorno e ⑦ (saída de água G1/2) no topo do dispositivo com ② (o outro tubo aparafusado G1/2).

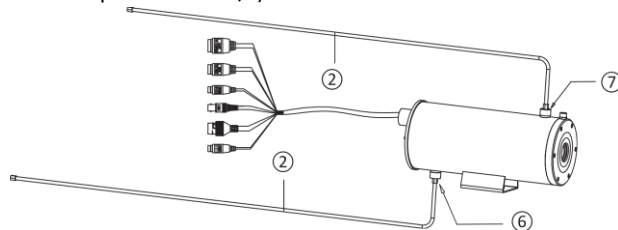


Figura 3-10 Ligação de tubo para arrefecimento por água

Nota:

Certifique-se de que as juntas de isolamento nas extremidades dos tubos estão bem instaladas, ou o efeito estanque pode ser afetado.

2. Ligue a saída de ar comprimido e ④ (entrada de ar G1/4) no topo do dispositivo com ⑧ (tubo aparafusado G1/4), e o ar comprimido poderá eliminar a poeira na janela do dispositivo.

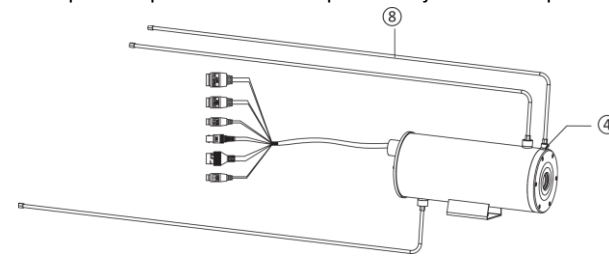


Figura 3-11 Instalação de despeiramento

Nota:

O comprimento do tubo aparafusado na embalagem é de 1 m, e pode adquirir o tubo de acordo com as necessidades reais de instalação.

3. Envolve os três tubos aparafusados em materiais de isolamento térmico. Recomendamos a utilização de aerogel e silicato de alumínio.

4 Ativação e acesso à câmara de rede

Visite www.hikmicrotech.com para transferir e instalar o HIKMICRO Studio. Consulte o manual do utilizador do dispositivo para obter informações detalhadas sobre o funcionamento.


Informação legal

©2022 Hangzhou Microimage Software Co., Ltd. Todos os direitos reservados.

Acerca deste Manual

O Manual inclui instruções para utilizar e gerir o produto. As fotografias, os gráficos, as imagens e todas as outras informações doravante apresentadas destinam-se apenas a fins de descritivos e informativos. As informações que constam do Manual estão sujeitas a alteração, sem aviso prévio, devido a atualizações de firmware ou a outros motivos. Encontre a versão mais recente deste Manual no website da HIKMICRO (www.hikmicrotech.com/). Utilize este Manual sob orientação e com a assistência de profissionais formados neste Produto.

Reconhecimento de marcas comerciais

 HIKMICRO e outras marcas registadas e logótipos da HIKMICRO são propriedades da HIKMICRO em diversos territórios. Outras marcas comerciais e logótipos mencionados são propriedade dos respetivos proprietários.

Aviso legal

NA MEDIDA MÁXIMA PERMITIDA PELA LEI APLICÁVEL, ESTE MANUAL E O PRODUTO DESCRITO, COM O SEU HARDWARE, SOFTWARE E FIRMWARE, SÃO FORNECIDOS “TAL COMO ESTÃO” E “COM TODAS AS SUAS FALHAS E ERROS”. A HIKMICRO NÃO APRESENTA QUAISQUER GARANTIAS, EXPRESSAS OU IMPLÍCITAS, INCLUINDO, SEM QUAISQUER LIMITAÇÕES, GARANTIAS DE COMERCIALIZAÇÃO, QUALIDADE SATISFATÓRIA OU ADEQUAÇÃO A UM DETERMINADO FIM. A SUA UTILIZAÇÃO DESTE PRODUTO É FEITA POR SUA CONTA E RISCO. EM NENHUMA CIRCUNSTÂNCIA, A HIKMICRO SERÁ RESPONSÁVEL POR SI EM RELAÇÃO A QUAISQUER DANOS ESPECIAIS, CONSEQUENCIAIS, INCIDENTAIS OU INDIRETOS, INCLUINDO, ENTRE OUTROS, DANOS PELA PERDA DE LUCROS COMERCIAIS, INTERRUPTÃO DA ATIVIDADE, PERDA DE DADOS, CORRUPÇÃO DE SISTEMAS OU PERDA DE DOCUMENTAÇÃO SEJA COM BASE NUMA VIOLAÇÃO DO CONTRATO, ATOS ILÍCITOS (INCLUINDO NEGLIGÊNCIA), RESPONSABILIDADE PELO PRODUTO OU, DE OUTRO MODO, RELACIONADA COM A UTILIZAÇÃO DO PRODUTO, AINDA QUE A HIKMICRO TENHA SIDO AVISADA SOBRE A POSSIBILIDADE DE TAIS DANOS OU PERDAS. O UTILIZADOR RECONHECE QUE A NATUREZA DA INTERNET OFERECE RISCOS DE SEGURANÇA INERENTES E QUE A HIKMICRO NÃO SERÁ RESPONSABILIZADA POR UM FUNCIONAMENTO ANORMAL, PERDA DE

PRIVACIDADE OU OUTROS DANOS RESULTANTES DE ATAQUES INFORMÁTICOS, ATAQUES DE PIRATARIA, INFECÇÃO POR VÍRUS OU OUTROS RISCOS ASSOCIADOS À SEGURANÇA DA INTERNET. NO ENTANTO, A HIKMICRO PRESTARÁ APOIO TÉCNICO ATEMPADO, SE SOLICITADO. O UTILIZADOR ACEITA UTILIZAR ESTE PRODUTO EM CONFORMIDADE COM TODAS AS LEIS APLICÁVEIS E SER O ÚNICO RESPONSÁVEL POR GARANTIR QUE A SUA UTILIZAÇÃO É CONFORME À LEI APLICÁVEL. PARTICULARMENTE, O UTILIZADOR É O RESPONSÁVEL PELA UTILIZAÇÃO DESTE PRODUTO DE MODO QUE NÃO INFRINJA OS DIREITOS DE TERCEIROS, INCLUINDO, ENTRE OUTROS, OS DIREITOS DE PUBLICIDADE, DIREITOS DE PROPRIEDADE INTELECTUAL OU DE PROTEÇÃO DE DADOS, OU QUAISQUER OUTROS DIREITOS DE PRIVACIDADE. O UTILIZADOR NÃO PODERÁ UTILIZAR ESTE PRODUTO PARA QUAISQUER UTILIZAÇÕES FINAIS PROIBIDAS, INCLUINDO O DESENVOLVIMENTO OU PRODUÇÃO DE ARMAS DE DESTRUIÇÃO MACIÇA, DESENVOLVIMENTO OU PRODUÇÃO DE QUÍMICOS OU ARMAS BIOLÓGICAS, QUAISQUER ATIVIDADES DESENVOLVIDAS NO ÂMBITO DE EXPLOSIVOS NUCLEARES OU CICLOS DE COMBUSTÍVEL NUCLEAR INSEGURO OU PARA APOIAR ABUSOS AOS DIREITOS HUMANOS. NA EVENTUALIDADE DA OCORRÊNCIA DE ALGUM CONFLITO ENTRE ESTE MANUAL E A LEGISLAÇÃO APLICÁVEL, ESTA ÚLTIMA PREVALECE.

Informações sobre as normas reguladoras

As presentes cláusulas aplicam-se apenas aos produtos que apresentam a marcação ou informação correspondentes.

Declaração de conformidade da UE

Este produto e, se aplicável, os acessórios fornecidos com o mesmo, têm a marcação "CE" e estão, por isso, em conformidade com os padrões europeus aplicáveis, indicados na Diretiva CEM 2014/30/UE e na Diretiva RPS

2011/65/UE.



2012/19/UE (Diretiva REEE): Os produtos com este símbolo não podem ser eliminados como resíduos urbanos indiferenciados na União Europeia. Para uma reciclagem adequada, devolva este produto ao seu fornecedor local quando adquirir um novo equipamento equivalente ou elimine-o através dos pontos de recolha adequados. Para mais informações, consulte: www.recyclethis.info.



2006/66/CE (diretiva relativa a baterias): Este produto contém uma bateria que não pode ser eliminada como resíduo urbano indiferenciado na União Europeia. Consulte a documentação do produto para obter informações específicas acerca da bateria. A bateria está marcada com este símbolo, que poderá incluir inscrições para indicar a presença de cádmio (Cd), chumbo (Pb), ou mercúrio (Hg). Para reciclar o produto de forma adequada, devolva a bateria ao seu fornecedor ou coloque-a num ponto de recolha apropriado. Para obter mais informações consulte: www.recyclethis.info.

Instruções de segurança

Estas instruções destinam-se a garantir que o utilizador possa utilizar o produto corretamente para evitar perigos ou perdas materiais.

Legislação e regulamentos

- Durante a utilização do produto, o utilizador tem de estar em estrita conformidade com as normas de segurança elétrica do país e região.

Transporte

- Mantenha o dispositivo na embalagem original ou similar, quando o transportar.
- Depois da abertura da embalagem do produto, guarde todos invólucros, para uso posterior. Em caso de qualquer avaria, deve devolver o dispositivo à fábrica com o invólucro original. O transporte sem o invólucro original pode resultar em danos no dispositivo, sendo que a empresa não assumirá quaisquer responsabilidades.
- NÃO deixe o produto cair, nem o sujeite a impactos físicos. Mantenha o dispositivo longe de interferências magnéticas.

Alimentação elétrica

- A compra do carregador fica por sua conta. A tensão de entrada deve cumprir a Fonte de potência limitada (12 V CC), de acordo com a norma IEC62368. Consulte as especificações técnicas para obter informações detalhadas.
- Certifique-se de que a ficha está devidamente ligada à tomada.
- A tomada deverá estar instalada perto do equipamento e ser facilmente acessível.
- NÃO ligue vários dispositivos a um adaptador de energia, para evitar o superaquecimento de riscos de incêndio provocados por sobrecarga.
- NÃO toque nos contactos metálicos expostos das entradas depois de desligar o disjuntor. Ainda existe condução de eletricidade.

- + identifica o terminal positivo do equipamento com o qual é utilizada ou gera corrente direta. - identifica o terminal negativo do equipamento com o qual é utilizada ou gera corrente direta.

Bateria

- ADVERTÊNCIA: Existe risco de explosão se a bateria for substituída por outra de tipo incorreto.
- Elimine as pilhas usadas de acordo com as instruções.
- A substituição incorreta da bateria por outra de tipo incorreto pode destruir uma proteção (por exemplo, no caso de alguns tipos de bateria de lítio).
- Não proceda à eliminação da bateria numa fogueira ou forno quente, ou mediante esmagamento ou corte mecânico da mesma pois tal pode resultar numa explosão.
- Não deixe a bateria num ambiente com temperaturas extremamente elevadas pois tal pode resultar numa explosão ou na fuga de líquido inflamável ou gás.
- Não sujeite a bateria a pressão de ar extremamente baixa pois tal poderá resultar numa explosão de líquido inflamável ou gás.

Instalação

- Nunca coloque o equipamento num local instável. O equipamento pode cair e causar lesões corporais graves ou morte.
- Este equipamento destina-se a ser utilizado apenas com os suportes correspondentes. A utilização com outros tipos de suporte (carrinhos, bancadas ou carrinhos de transporte) pode resultar em instabilidade e causar ferimentos.


Segurança do sistema

- O utilizador reconhece que a natureza da Internet comporta riscos de segurança inerentes e que a nossa empresa não será responsabilizada pelo funcionamento anormal, perda de privacidade ou outros danos resultantes de ataques informáticos ou ataques de pirataria. No entanto, a nossa empresa prestará apoio técnico atempado, se solicitado.
- Por favor, cumpra os requisitos de proteção de informações pessoais e de segurança de dados, uma vez que o dispositivo pode enfrentar problemas de segurança ao estar ligado à internet. Por favor, contacte-nos quando achar que o dispositivo possa estar exposto a riscos de segurança por estar ligado à rede.
- Por favor, tenha em consideração que a configuração das palavras-passe e de outras definições de segurança do dispositivo são da sua responsabilidade, assim como o guardar do seu nome de utilizador e da sua palavra-passe.

Manutenção

- Se o produto não funcionar corretamente, contacte o seu fornecedor ou o seu centro de assistência mais próximo. Não assumimos qualquer responsabilidade por problemas causados por reparações ou manutenções não autorizadas.
- Alguns componentes do dispositivo (por exemplo, condensador eletrolítico) necessita de substituição regular. A duração média varia, portanto, recomenda-se verificação periódica. Entre em contacto com o respetivo revendedor para obter detalhes.
- Limpe o dispositivo suavemente com um pano limpo e uma pequena quantidade de etanol, se necessário.
- Se o equipamento for utilizado de uma forma não especificada pelo fabricante, a proteção providenciada pelo dispositivo poderá ser afetada.
- Para reduzir o risco de incêndio, o fusível deve ser substituído apenas por outro do mesmo tipo e com a mesma potência.
- A porta série do equipamento é utilizada apenas para a depuração.

Ambiente da utilização

- Certifique-se de que o ambiente de funcionamento do dispositivo cumpre os requisitos do mesmo. A temperatura de funcionamento deve ser de 0 °C a 200 °C, dependendo do sistema de instalação, e a humidade deve ser de 95% ou inferior.
- Coloque o dispositivo num ambiente seco e bem ventilado.
- NÃO exponha o dispositivo a radiação eletromagnética elevada nem a ambientes com pó.
- NÃO direcione a lente para o sol nem para qualquer outra luz brilhante.
- O equipamento não deverá ser exposto a derrames ou salpicos de líquidos e nenhum objeto que contenha líquidos, como vasos, deverá ser colocado sobre o equipamento.
- Não deverão ser colocadas fontes de chama livre, como velas acesas, sobre o equipamento.
- Providencie um supressor de picos na abertura da entrada do equipamento em condições especiais, como no cimo de uma montanha, numa torre de ferro ou na floresta.
- Queimadura dos dedos resultante do manuseamento das peças com o símbolo . Desligue o equipamento, aguarde trinta minutos e só então deverá manusear as peças.

Emergência

- Caso o dispositivo emita fumo, odores ou ruídos, desligue a alimentação elétrica de imediato, retire o cabo de alimentação da

tomada e contacte o centro de assistência.

AVISO DE CONFORMIDADE: Os produtos da série térmica poderão estar sujeitos a controlos de exportação em vários países ou regiões, incluindo sem limite, os Estados Unidos da América, a União Europeia, o Reino Unido e/ou outros países-membro do Acordo de Wassenaar. Consulte o seu especialista em legislação ou em conformidade ou as autoridades locais para saber os requisitos de licença de exportação necessários se pretender transferir, exportar, voltar a exportar os produtos da série térmica entre países diferentes.

Nederlands

1 Voorbereiding

Basiseisen

- Al de elektronische handelingen moeten strikt in overeenkomst zijn met de elektrische veiligheidsvoorschriften, voorschriften inzake brandpreventie en andere gerelateerde voorschriften in uw regio.
- Controleer de inhoud van de verpakking en zorg ervoor dat het apparaat in de verpakking zich in goede toestand bevindt en alle montage-onderdelen zijn meegeleverd.
- Gebruik het systeem in overeenstemming met de vereisten van de werkomgeving.

De installatieomgeving controleren

- Zorg ervoor dat er voldoende ruimte is om de camera en accessoires te installeren.
- Zorg ervoor dat de muur stevig genoeg is om ten minste 8 keer het gewicht van de camera en het montuur te dragen.

De kabels voorbereiden

- Volgens de actuele netwerkbandbreedte, is de Cat5 (in 100 m) of Cat6 (meer dan 100 m) nodig.
- Wanneer de camera standaard 12 VDC voeding gebruikt,

moet de voedingskabel AWB 18 (American Wire Gauge) of hoger zijn. De formule van de dwarsdoorsnede S (mm²) en de maximale transmissie-afstand L (m) van de niet geïsoleerde draad is $L=50*S$.

- Kies de videokabel volgens de verzendingslengte. De video moet voldoen aan de volgende minimumvereisten: 75Ω weerstand; 100% geleidende draad met koperkern; 95% geweven koperen afscherming.

De gereedschappen voorbereiden

Voordat u start met de installatie, moet u de benodigde gereedschappen klaarleggen, zoals de uitbreidingschroeven, elektrische hamer, elektrische boor, moersleutel, schroevendraaier, elektrosonde en netwerkkabel.

Originele verpakking

Wanneer u de camera uitpakt, moet u de originele verpakking goed bewaren in het geval u het product moet terugsturen of laten repareren. U kunt de camera in de verpakking stoppen.

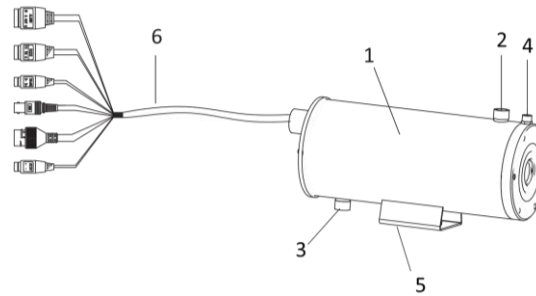
Opmerking:

De gebruiker is verantwoordelijk voor elke schade die is veroorzaakt tijdens het transporteren in een andere dan de originele verpakking.

2 Beschrijving van het model

2.1 Uiterlijk

Raadpleeg de volgende afbeelding voor het uiterlijk van de camera.



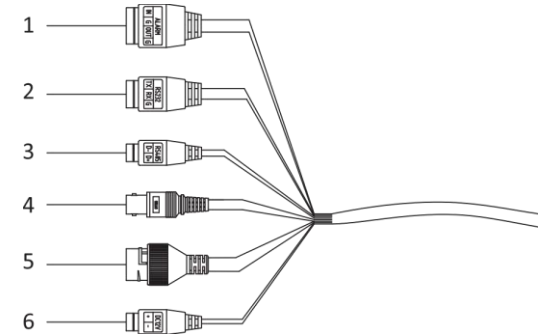
Afbeelding 2-1 Uiterlijk

Tabel 2-1 Beschrijving van het apparaat

Nr.	Omschrijving
1	Camera
2	G1/2 water-/luchtuitlaat
3	G1/2 water-/luchtinlaat
4	G1/4 luchtinlaat
5	Montagevoet
6	Kabels

2.2 Kabelbeschrijvingen

De kabelinterfaces van de camera worden weergegeven in Afbeelding 2-20.



Afbeelding 2-2 Kabels van de camera

Tabel 2-2 Beschrijving van het apparaat

Nr.	Omschrijving
1	Alarmingang/-uitgang
2	RS-232-kabel
3	RS-485-kabel
4	CVBS-kabel
5	RJ45-netwerkkabel
6	Voedingskabel

3 Installatie

3.1 Bedrading

Houd rekening met de installatie-omgeving en de positie van het apparaat wanneer u de bedrading voorbereidt. Om een stabiele stroomvoorziening en signaaloverdracht te garanderen, moet u de onderstaande regels nauwgezet volgen:

- Controleer de installatie-omgeving voordat u de bedrading uitvoert, inclusief de bedradingsafstand, de bedradingsomgeving, Interferentie van magnetische velden enz.
- De nominale spanning van de draad moet hoger zijn dan het apparaat vereist, zodat het apparaat normaal kan werken wanneer de spanningsinstabiliteit optreedt.
- Het is aanbevolen één complete kabel te gebruiken voor de bedrading. Als dat niet het geval is, moet een versteviging worden voorzien om het bedradingspunt tussen twee kabels te beschermen, anders kan het apparaat abnormaal werken door veroudering van het circuit.
- Zorg dat de apparaatkabels goed beschermd zijn en zorg voor verstevigings- en beschermingsmaatregelen tijdens de bedrading.
- Vermijd dat kabels tegen elkaar botsen en de magnetische ring beschadigen, anders kan het apparaat abnormaal werken.
- Controleer of de kabels niet te lang of te strak gespannen zijn.
- De bedrading moet worden uitgevoerd door professionele technici. Wanneer het apparaat niet normaal kan werken, kunt u de bovenstaande informatie raadplegen voor het oplossen van problemen.

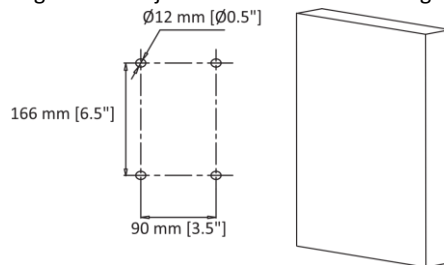
3.2 De camera installeren

Voordat u begint:

De klem is niet bijgesloten in de verpakking. Schaf deze afzonderlijk aan.

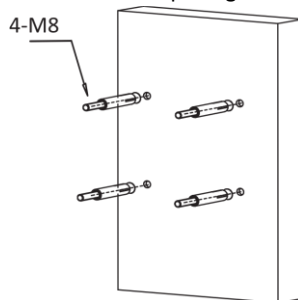
Stappen:

1. Boor vier gaten in de muur in overeenstemming met de afmetingen van de sjabloon van de wandmontagebeugel.



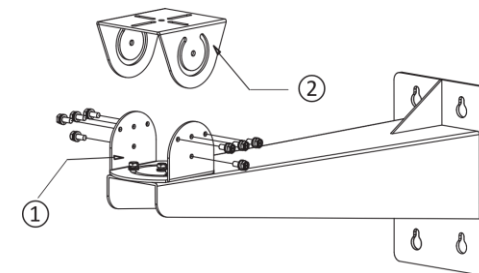
Afbeelding 3-1 Boor gaten in de muur

2. Boor vier M8-schroeven in de openingen.



Afbeelding 3-2 Boor M8 schroeven in de openingen

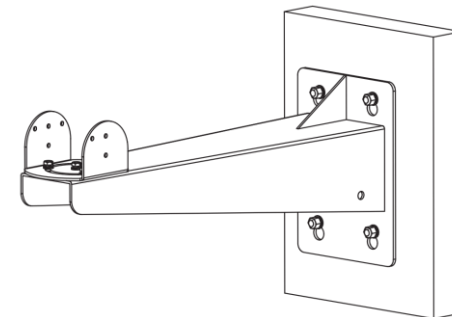
3. Maak de schroeven los en verwijder ze om het PT-verbingsstuk te demonteren.



Afbeelding 3-3 Het PT-verbingsstuk demonteren

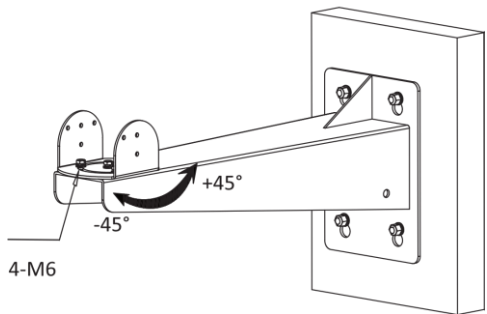
Opmerking: ①: onderkant PT-verbingsstuk; ②: bovenkant PT-verbingsstuk

4. Lijn de vier openingen op de beugel met de vier M8-schroeven op de muur, installeer de beugel op de muur en haal de schroeven aan.



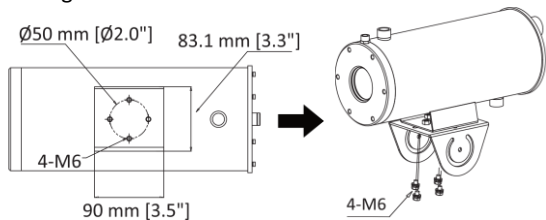
Afbeelding 3-4 De beugel installeren

5. Maak de vier M6-schroeven op de onderkant van het PT-verbingsstuk los om de hoek voor het pannen aan te passen en haal de schroeven aan na de aanpassing. De hoek voor het pannen is -45° tot 45° .



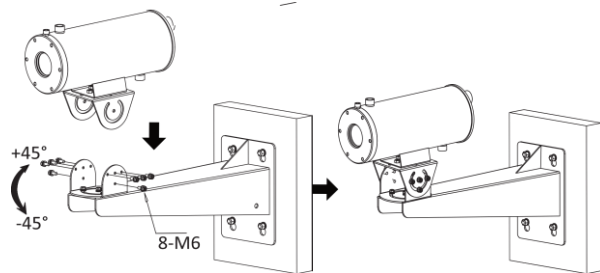
Afbeelding 3-5 De hoek voor het pannen aanpassen

6. Installeer de bovenkant van het PT-verbingsstuk op de montagevoet van de camera met vier M6-schroeven.



Afbeelding 3-6 De bovenkant van het PT-verbingsstuk installeren op de camera

7. Schroef de acht M6-schroeven in en stel de kantelhoek voor de camera af. Haal de schroeven aan na de afstelling. Het kantelbereik ligt tussen -45° en 45° .



Afbeelding 3-7 De kantelhoek aanpassen

3.3 Koeling- en ontstoffsinstallatie

Lucht- of waterkoeling is vereist om de thermische cameramodule te koelen als het apparaat werkt in een omgeving met een hoge temperatuur. De ontstoffsinstallatie helpt u stof verwijderen van het apparaatvenster en het apparaat te koelen zodat het beeld zuiverder kan zijn.

Voordat u begint:

Selecteer een geschikte koelmethode in overeenstemming met de werkomgeving van het apparaat.

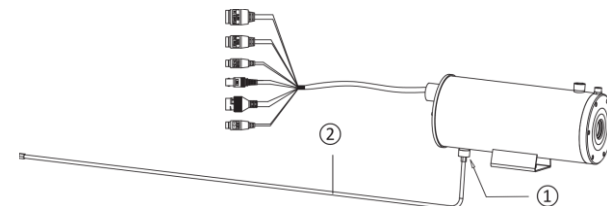
- Als de bedrijfstemperatuur tussen 50°C en 100°C (inclusief 100°C) ligt, selecteert u de luchtkoelingsmethode.
- Als de bedrijfstemperatuur tussen 100°C en 200°C (inclusief 200°C) water, selecteert u de waterkoelingsmethode.

3.3.1 Luchtkoeling- en ontstoffsinstallatie

U kunt perslucht inbrengen om de spouwtemperatuur van het apparaat te verminderen.

Stappen:

1. Sluit de uitlaat van de perslucht en ① (G1/2-luchtinlaat) aan op de onderkant van het apparaat met ② (G1/2 geschroefde buis).

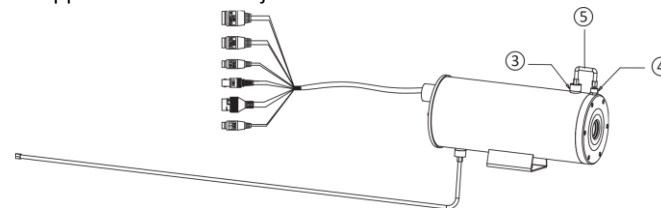


Afbeelding 3-8 Buisaansluiting voor luchtkoeling

Opmerking:

De lengte van de geschroefde buis in de verpakking is 1 m en u kunt de buis aanschaffen op basis van de eigenlijk installatievereisten.

2. Sluit ③ (G1/2-luchtuitlaat) en ④ (G1/4 luchtinlaat) aan op ⑤ (adapter) en daarna kan de perslucht het stof op het apparaatvenster verwijderen.



Afbeelding 3-9 Ontstoffsinstallatie

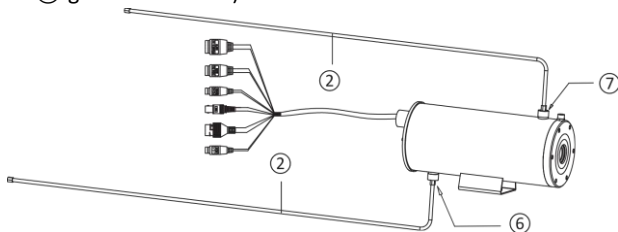
3. Wikkel de geschroefde pijp in thermisch isolatiemateriaal. Aerogel en aluminiumsilicaat zijn aanbevolen.

3.3.2 Waterkoeling- en ontstoffsinstallatie

U kunt koelwater bijvullen om de spouwtemperatuur van het apparaat te verminderen.

Stappen:

- Sluit de uitlaat van het koelwater en ⑥ (G1/2-waterinlaat) aan op de onderkant van het apparaat met ② (één G1/2 geschroefde pijp) en sluit de inlaat voor de opstuwten en ⑦ (G1/2 wateruitlaat) aan bovenop het apparaat met de andere ② geschroefde buis).

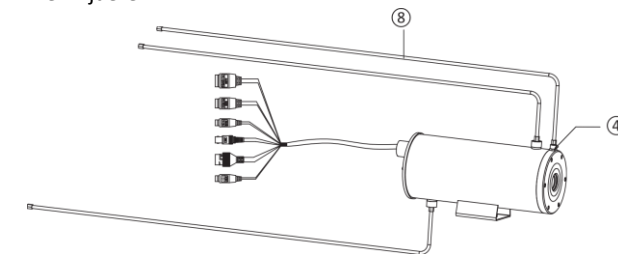


Afbeelding 3-10 Buisaansluiting voor waterkoeling

Opmerking:

Zorg dat de afdichtende pakkingen aan de uiteinden van de buizen goed zijn geïnstalleerd, anders kan de waterdichtheid worden beïnvloed.

- Sluit de persluchtuitlaat en ④ (G1/4 luchtinlaat) aan op de bovenkant van het apparaat met ⑧ (G1/4 geschroefde buis). Daarna kan de perslucht het stof op het apparaatvenster verwijderen.



Afbeelding 3-11 Ontstoffingsinstallatie

Opmerking:

De lengte van de geschroefde buis in de verpakking is 1 m en u kunt de buis aanschaffen op basis van de eigenlijke installatievereisten.

- Wikkel de drie geschroefde pijpen in thermische isolatiematerialen. Aerogel en aluminiumsilicaat zijn aanbevolen.

4 Netwerkcamera activeren en openen

Bezoek www.hikmicrotech.com voor het downloaden en installeren van HIKMICRO Studio. Raadpleeg de handleiding van het apparaat voor details over de bediening.


Juridische informatie

©2022 Hangzhou Microimage Software Co., Ltd. Alle rechten voorbehouden.

Over deze handleiding

De handleiding bevat instructies voor het gebruik en beheer van het product. Afbeeldingen, grafieken, afbeeldingen en alle andere informatie hierna worden verstrekt voor beschrijving en uitleg. De informatie in de handleiding is onderhevig aan verandering, zonder voorafgaande kennisgeving, als gevolg van firmware-updates of andere redenen. U kunt de nieuwste versie van deze handleiding vinden op de HIKMICRO-website (www.hikmicrotech.com/). Gebruik deze handleiding onder begeleiding en ondersteuning van professionals die zijn opgeleid voor het ondersteunen van het product.

Erkenning handelsmerken

 HIKMICRO en andere handelsmerken en logo's van HIKMICRO zijn eigendom van HIKMICRO in verschillende rechtsgebieden. Andere handelsmerken en logo's zijn het eigendom van hun respectieve eigenaren.

Vrijwaringsclausule

VOOR ZOVER MAXIMAAL TOEGESTAAN OP GROND VAN HET TOEPASSELIJK RECHT, WORDEN DEZE HANDLEIDING EN HET OMSCHREVEN PRODUCT, INCLUSIEF HARDWARE, SOFTWARE EN FIRMWARE, GELEVERD 'ZOALS ZE ZIJN', INCLUSIEF 'FOUTEN EN GEBREKEN'. HIKMICRO GEEFT GEEN GARANTIES, EXPLICIET OF IMPLICIET, WAARONDER ZONDER BEPERKING, VERKOOPBAARHEID, BEVREDIGENDE Kwaliteit OF GESCHIKTHEID VOOR EEN BEPAALD DOEL. HET GEBRUIK VAN HET PRODUCT DOOR U IS OP EIGEN RISICO. IN GEEN GEVAL IS HIKMICRO VERANTWOORDELIJK VOOR SPECIALE, BIJKOMENDE, INCIDENTELE OF INDIRECTE SCHADE, WAARONDER, ONDER ANDERE, SCHADE VAN VERLIES AAN ZAKELIJKE WINST, ZAKELIJKE ONDERBREKING OF VERLIES VAN GEGEVENS, CORRUPTIE OF SYSTEMEN, OF VERLIES VAN DOCUMENTATIE, ONGEACHT OF DIT VOORTVLOEIT UIT CONTRACTBREUK, BENADELING (INCLUSIEF NALATIGHEID), PRODUCTAANSPRAAKELIJKHEID OF ANDERS, MET BETREKKING TOT HET PRODUCT, ZELFS ALS HIKMICRO OP DE HOOGTE IS GEBRACHT VAN ZULKE SCHADE OF VERLIES.

U ERKENT DAT DE AARD VAN HET INTERNET INHERENTE VEILIGHEIDSRISICO'S INHOUDT EN DAT HIKMICRO GEEN ENKELE VERANTWOORDELIJKHEID AANVAARDT VOOR ABNORMALE WERKING, HET UITLEKKEN VAN PERSOONLIJKE GEGEVENS OF ANDERE SCHADE ALS GEVOLG VAN CYBERAANVALLEN, HACKERAANVALLEN, VIRUSBESMETTINGEN OF ANDERE BEVEILIGINGSRISICO'S OP HET INTERNET; INDIEN NODIG VOORZIET HIKMICRO IN TIJDIGE TECHNISCHE ONDERSTEUNING.

U GAAT AKKOORD MET HET GEBRUIK VAN DIT PRODUCT IN OVEREENSTEMMING MET ALLE TOEPASBARE WETTEN EN UITSLUITEND U BENT VERANTWOORDELIJK VOOR DE GARANTIE DAT UW GEBRUIK OVEREENSTEMT MET DE TOEPASBARE WET. U BENT VOORAL VERANTWOORDELIJK DAT HET GEBRUIK VAN DIT PRODUCT GEEN INBREUK MAAKT OP DE RECHTEN VAN DERDEN, INCLUSIEF EN ZONDER BEPERKING DE RECHTEN VAN PUBLICITEIT, INTELLECTUEEL EIGENDOM, OF GEGEVENSBESCHERMING EN ANDERE PRIVACYRECHTEN. U MAG DIT PRODUCT NIET GEBRUIKEN VOOR ENIGE ONWETTIG EINDGEBRUIK, MET INBEGRIIP VAN DE ONTWIKKELING OF DE PRODUCTIE VAN MASSAVERNIETIGINGSWAPENS, DE ONTWIKKELING OF DE PRODUCTIE VAN CHEMISCHE OF BIOLOGISCHE WAPENS, ALLE ACTIVITEITEN IN HET KADER VAN EVENTUELE NUCLEAIRE EXPLOSIEVEN OF ONVEILIGE NUCLEAIRE BRANDSTOFCYCLUS, OF TER ONDERSTEUNING VAN MENSENRECHTENSCHENDINGEN. IN HET GEVAL VAN ENIGE CONFLICTEN TUSSEN DEZE HANDLEIDING EN DE TOEPASSELIJKE WETGEVING, PREVALEERT DE LAATSTE.

Informatie met betrekking tot regelgeving

Deze clausules zijn alleen van toepassing op de producten die de overeenkomende markering of informatie dragen.

EU-conformiteitsverklaring



Dit product en, indien van toepassing, ook de meegeleverde accessoires, zijn gemarkeerd met "CE" en voldoen daarom aan de toepasselijke geharmoniseerde Europese normen zoals opgenomen in de EMC-richtlijn 2014/30/EU en de RoHS-richtlijn 2011/65/EU.



2012/19/EU (WEEE-richtlijn): Producten die met dit symbool zijn gemarkeerd mogen binnen de Europese Unie niet worden weggegooid als ongesorteerd huishoudelijk afval. Lever dit product voor een juiste recycling in bij uw plaatselijke leverancier bij aankoop van soortgelijke nieuwe apparatuur, of breng het naar daarvoor aangewezen inzamelputten. Raadpleeg voor meer informatie: www.recyclethis.info.



2006/66/EG (Batterijrichtlijn): Dit product bevat een batterij die binnen de Europese Unie niet mag worden weggegooid als ongesorteerd huishoudelijk afval. Zie de productdocumentatie voor specifieke informatie over de batterij. De batterij is gemarkeerd met dit symbool, dat letters kan bevatten die cadmium (Cd), lood (Pb) of kwik (Hg) aanduiden. Lever de batterij voor een juiste recycling in bij uw leverancier of bij een daarvoor aangewezen inzamelput. Zie voor meer informatie: www.recyclethis.info.

Veiligheidsinstructies

Deze instructies zijn bedoeld om te verzekeren dat de gebruiker het product juist kan gebruiken om gevaar of verlies van eigendommen te vermijden.

Wet- en regelgeving

- U moet zich bij het gebruik van het product strikt houden aan de elektrische veiligheidsvoorschriften van het land en de regio.

Transport

- Bewaar het apparaat in de originele of soortgelijke verpakking tijdens vervoer.
- Bewaar alle verpakkingen voor toekomstig gebruik. In het geval van een defect moet u het apparaat terugsturen naar de fabriek met de

originele verpakking. Transport zonder de originele verpakking kan leiden tot schade aan het apparaat, waarvoor wij geen verantwoordelijk erkennen.

- Laat het product niet vallen en stel het apparaat niet bloot aan schokken. Houd het toestel uit de buurt van magnetische velden.

Stroomvoorziening

- Koop de lader zelf. De ingangsspanning moet voldoen aan de beperkte voedingsbron met 12 VDC van de IEC62368-norm. Zie de technische specificaties voor gedetailleerde informatie.
- Zorg dat de stekker goed in het stopcontact zit.
- Het stopcontact moet in de buurt van de apparatuur worden geïnstalleerd en eenvoudig toegankelijk zijn.
- Sluit NOOIT meerdere apparaten aan op één voedingsadapter om oververhitting of brandgevaar door overbelasting te voorkomen.
- Raak de blanke metalen contacten van de inlaten niet aan nadat de stroomonderbreker is uitgeschakeld. Er is nog steeds elektriciteit aanwezig.
- + identificeert de positieve aansluiting(en) van apparatuur die wordt gebruikt met gelijkstroom of die dat genereert. - identificeert de negatieve aansluiting(en) van apparatuur die wordt gebruikt met gelijkstroom of die dat genereert.

Batterij

- LET OP: Er bestaat explosiegevaar wanneer de batterij door een onjuist type wordt vervangen.
- Verwijder gebruikte batterijen in overeenstemming met de instructies.
- Onjuiste vervanging van de batterij door een onjuist type kan een beveiliging omzeilen (bijvoorbeeld in het geval van sommige typen lithiumbatterijen).
- Gooi de batterij niet in vuur of een hete oven en plet of snij de batterij niet op mechanische wijze, want dat kan een explosie veroorzaken.
- Laat de batterij niet in een omgeving met een extreem hoge temperatuur liggen, want dat kan een explosie of het lekken van brandbare vloeistof of gas tot gevolg hebben.
- Stel de batterij niet bloot aan extreem lage luchtdruk, want dat kan een explosie of het lekken van brandbare vloeistof of gas tot gevolg hebben.

Installatie

- Plaats de apparatuur nooit op een onstabiele plaats. De apparatuur kan dan vallen, wat ernstig letsel of de dood tot gevolg kan hebben.

- Deze apparatuur is uitsluitend bedoeld voor gebruik met bijpassende klemmen. Gebruik met andere voorwerpen (karren, standards of dragers) kan leiden tot instabiliteit letsel veroorzaken.

Systeembeveiliging

- U erkent dat de aard van internet zorgt voor inherente veiligheidsrisico's, en ons bedrijf zal geen enkele verantwoordelijkheid accepteren voor abnormale werking, schending van privacy of andere schade als gevolg van een cyber- of hacker-aanval; ons bedrijf zal echter tijdige technische ondersteuning bieden indien vereist.
- Zorg voor bescherming van persoonlijke gegevens en gegevensbeveiliging aangezien het apparaat mogelijk te maken kan krijgen met netwerkbeveiligingsproblemen wanneer het met internet wordt verbonden. Neem contact met ons op als er netwerkbeveiligingsrisico's voor het apparaat optreden.
- Wij vragen uw begrip voor het feit dat u verantwoordelijkheid bent voor het configureren van alle wachtwoorden en andere beveiligingsinstellingen betreffende het apparaat, en bewaar uw gebruikersnaam en wachtwoord.


Onderhoud

- Als het product niet goed werkt, neem dan contact op met uw leverancier of het dichtstbijzijnde servicecentrum. Wij aanvaarden geen verantwoordelijkheid voor problemen die zijn veroorzaakt door ongeautoriseerde reparatie of onderhoud.
- Een paar componenten van het apparaat (o.a. elektrolytische condensator) vereisen regelmatige vervanging. De gemiddelde levensduur varieert, dus periodieke controle wordt aanbevolen. Neem contact op met uw leverancier voor meer informatie.
- Veeg het apparaat voorzichtig schoon met een schone doek en, indien nodig, een kleine hoeveelheid ethanol.
- Als de apparatuur wordt gebruikt op een manier die niet door de fabrikant is gespecificeerd, kan de bescherming van het apparaat worden aangetast.
- Vervang de zekering uitsluitend door een exemplaar van hetzelfde type en vermogen om het risico van brand te reduceren.
- De seriële poort van de apparatuur wordt alleen gebruikt voor foutopsporing.

Gebruiksomgeving

- Zorg dat de gebruiksomgeving voldoet aan de vereisten van het apparaat. De bedrijfstemperatuur moet 0°C tot 200°C (32°F tot 392°F) bedragen, afhankelijk van het installatiesysteem, en de vochtigheid

moet 95% of minder zijn.

- Plaats het apparaat in een droge en goed geventileerde omgeving.
- Stel het apparaat NIET bloot aan hoge elektromagnetische straling of stoffige omgevingen.
- Richt de lens NIET op de zon of een ander fel licht.
- De apparatuur mag niet worden blootgesteld aan druppels of spetters en er mogen geen voorwerpen gevuld met vloeistoffen, zoals vazen, op de apparatuur worden geplaatst.
- Plaats geen bronnen met open vuur, zoals brandende kaarsen, op het apparaat.
- Zorg voor een overspanningsbeveiliging bij de inlaatopening van de apparatuur onder speciale omstandigheden, zoals op een bergtop, ijzeren toren en in het bos.
- U kunt uw vingers verbranden als u onderdelen met dit symbool vastpakt . Wacht een half uur na uitschakelen voordat u de onderdelen beetpakt.

Noodgeval

- Als er rook, geur of geluid uit het apparaat komt, schakel het dan onmiddellijk uit, haal de stekker van het netsnoer uit het stopcontact en neem contact op met het servicecentrum.

MEDEDELING VAN NALEVVING: De producten thermische serie kunnen zijn onderworpen aan exportcontroles in verschillende landen of regio's, inclusief zonder enige beperking de Verenigde Staten, de Europese Unie, het Verenigd Koninkrijk en/of andere lidstaten van de Overeenkomst van Wassenaar. Neem contact op met uw professionele juridische of nalevingsexpert of plaatselijke overheidsinstanties omtrent enige noodzakelijke vereisten voor een exportvergunning als u van plan bent de producten thermische serie te verplaatsen, exporteren of her-exporteren tussen verschillende landen.

Čeština

1 Příprava

Základní požadavky

- Veškeré elektronické operace musí být v přísném souladu s předpisy ohledně elektrické bezpečnosti, protipožárními

- předpisy a dalšími souvisejícími předpisy ve vašem regionu.
- Zkontrolujte obsah balení, zda je zařízení v balení v dobrém stavu a zda jsou dodány všechny součásti k sestavení.
- Systém používejte v souladu s požadavky pracovního prostředí.

Kontrola instalačního prostředí

- Ujistěte se, že je pro montáž kamery a příslušenství k dispozici dostatek místa.
- Ujistěte se, že je stěna dostatečně pevná a unese hmotnost 8krát větší, než je hmotnost kamery a držáku.

Příprava kabelů

- V souladu se skutečnou šířkou pásma sítě je zapotřebí kabel typu Cat5 (do 100 m) nebo Cat6 (nad 100 m).
- Pokud kamera používá standardní napájení 12 V stejnosm., měl by mít napájecí kabel průřez dle americké normy 18 nebo vyšší. Vzorec průřezu S (mm²) a maximální přenosové vzdálenosti L (m) holého vodiče činí $L=50 \cdot S$.
- Vyberte videokabel v souladu s přenosovou vzdáleností. Video musí splňovat následující minimální požadavky: odpor 75 Ω, vodivé jádro ze 100% mědi, stínění z 95% splétané mědi.

Příprava nástrojů

Před instalací si připravte potřebné nástroje, například expanzní šrouby, elektrické kladivo, elektrickou vrtačku, klíč, šroubovák, elektrosondu a síťový kabel.

Původní obal

Po rozbalení kamery vhodným způsobem uložte původní obal pro případ vrácení nebo opravy kamery. Kameru můžete do obalu zabalit.

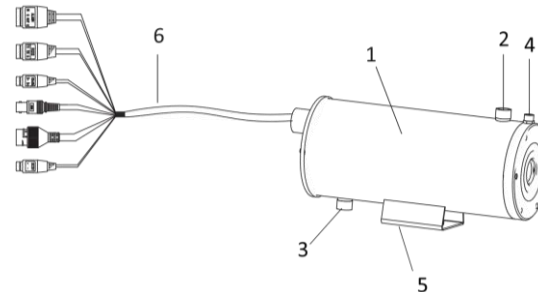
Poznámka:

Uživatel bude odpovědný za jakékoliv škody způsobené při přepravě v neoriginálním obalu.

2 Popis vzhledu

2.1 Vzhled

Informace o vzhledu kamery naleznete na následujícím obrázku.



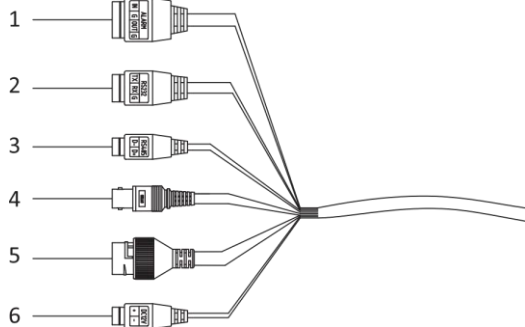
Obrázek 2-1 Vzhled

Tabulka 2-1 Popis zařízení

Č.	Popis
1	Kamera
2	Výstup voda/vzduch G1/2
3	Vstup voda/vzduch G1/2
4	Vstup vzduchu G1/4
5	Montážní základna
6	Kabely

2.2 Popis kabelů

Kabelová rozhraní kamery jsou zobrazena na obrázku 2-20.



Obrázek 2-2 Kabely kamery

Tabulka 2-2 Popis zařízení

Č.	Popis
1	Vstup/výstup alarmu
2	Kabel RS-232
3	Kabel RS-485
4	Kabel CVBS
5	Síťový kabel RJ45
6	Napájecí kabel

3 Montáž

3.1 Kabeláž

Při plánování kabeláže vezměte plně v úvahu instalační prostředí a polohu zařízení. Aby bylo možné zajistit stabilní napájení a přenos signálu, pečlivě dodržujte pravidla níže:

- Před zapojením potvrďte prostředí instalace, včetně vzdálenosti zapojení, prostředí zapojení, rušení od magnetického pole apod.
- Jmenovité napětí kabelu by mělo být vyšší než zařízení vyžaduje, aby zařízení mohlo pracovat normálně v případě výskytu nestability napětí.
- Doporučujeme použít jeden úplný kabel pro zapojení. Pokud takové zapojení není možné, je třeba provést posilující opatření k ochraně místa zapojení mezi dvěma kabely nebo může zařízení pracovat abnormálně vlivem stárnutí obvodů.
- Zajistěte, aby byly kabely zařízení dobře chráněné a během zapojení využijte posilující a ochranná opatření.
- S kabely nenarážejte, aby nedošlo k poškození magnetického kroužku, protože zařízení by mohlo pracovat abnormálně.
- Zkontrolujte, zda nejsou kabely příliš volné nebo příliš natažené.
- Kabeláž by měla být provedena profesionálními technikami. Pokud zařízení nedokáže pracovat normálně, můžete pro řešení potíží využít výše uvedené informace.

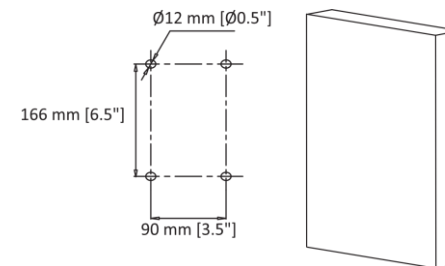
3.2 Instalace kamery

Než začnete:

Držák není součástí balení. Musí být zakoupen samostatně.

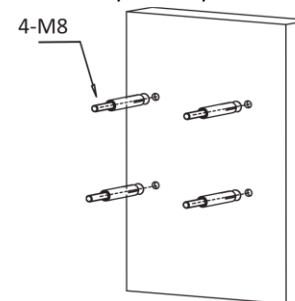
Kroky:

1. Vyrtejte čtyři otvory do stěny v souladu s rozměry šablony nástěnného držáku.



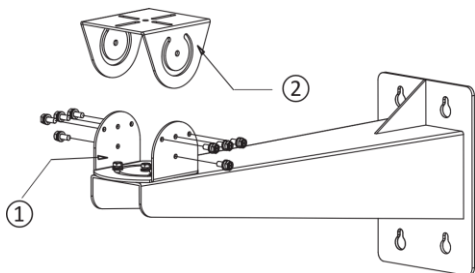
Obrázek 3-1 Vyrtejte otvory do stěny

2. Zašroubujte do otvorů čtyři šrouby M8.



Obrázek 3-2 Našroubujte šrouby M8 do otvorů

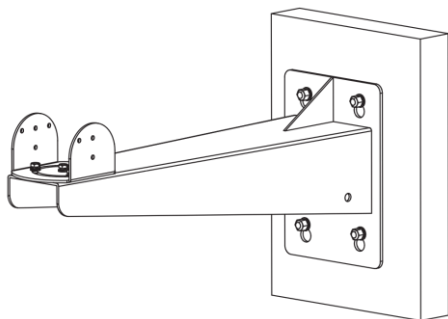
3. Povolte a vyjměte šrouby k rozebrání spoje PT.



Obrázek 3-3 Rozebrání spoje PT

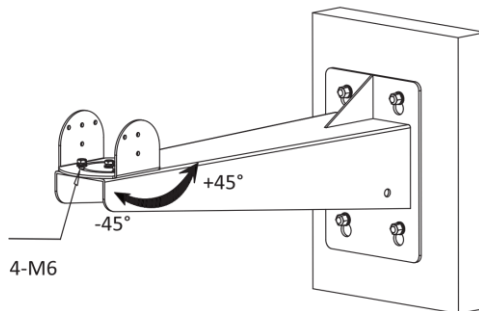
Poznámka: ①: Spodní strana spoje PT; ②: Horní strana spoje PT

4. Zarovnejte čtyři otvory na držáku se čtyřmi šrouby M8 na stěně, nainstalujte držák na stěnu a dotáhněte šrouby.



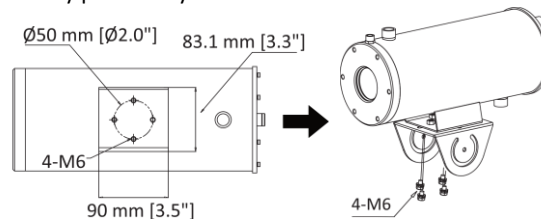
Obrázek 3-4 Instalace držáku

5. Povolte čtyři šrouby M6 na spodní části spoje PT a nastavte úhel sledování a po nastavení šrouby dotáhněte. Úhel sledování je od -45° do 45° .



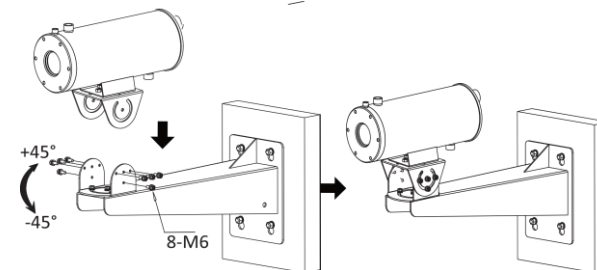
Obrázek 3-5 Nastavte úhel sledování

6. Nainstalujte horní stranu spoje PT na montážní základnu kamery pomocí čtyř šroubů M6.



Obrázek 3-6 Nainstalujte horní stranu spoje PT s kamerou

7. Zašroubujte osm šroubů M6 a nastavte úhel naklání kamery. Po nastavení šrouby dotáhněte. Rozsah naklání činí od -45° do 45° .



Obrázek 3-7 Nastavte úhel naklání

3.3 Instalace chlazení a čištění prachu

Chlazení vodou nebo vzduchem je nutné k ochlazení modulu tepelné kamery, pokud zařízení pracuje v prostředí s vysokou teplotou. Odstranění prachu z instalace pomáhá odstranit prach z okna zařízení a ochladit zařízení, aby obraz mohl být čistší.

Než začnete:

Vyberte vhodnou metodu chlazení v souladu s pracovním prostředím zařízení.

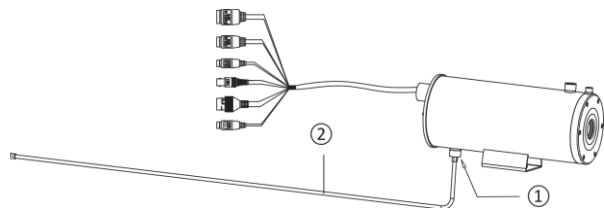
- Pokud se pracovní teplota nachází mezi 50°C a 100°C (včetně 100°C), vyberte metodu chlazení vzduchem.
- Pokud se pracovní teplota nachází mezi 100°C a 200°C (včetně 200°C), vyberte metodu vodního chlazení.

3.3.1 Chlazení vzduchem a instalace čištění od prachu

Ke snížení teploty dutiny zařízení do ní můžete zavést stlačený vzduch.

Kroky:

1. Připojte výstup stlačeného vzduchu a ① (přívod vzduchu G1/2) ve spodní části zařízení pomocí ② (šroubovací trubka G1/2).

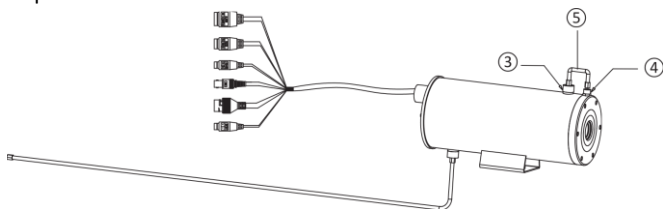


Obrázek 3-8 Připojení trubky pro chlazení vzduchem

Poznámka:

Délka šroubovací trubky v balení činí 1 m a vy můžete trubku zakoupit v souladu se skutečnými požadavky na instalaci.

- Připojte ③ (přívod vzduchu G1/2) a ④ (přívod vzduchu G1/4) pomocí ⑤ (adaptér) a pak stlačený vzduch dokáže odstranit prach na okénku zařízení.



Obrázek 3-9 Instalace odstranění prachu

- Obalte šroubovací trubku materiály tepelné izolace. Doporučujeme použít aerogel a křemičitan hlinitý.

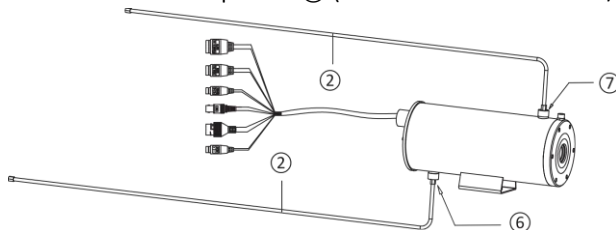
3.3.2 Instalace vodního chlazení a odstranění prachu

Ke snížení teploty dutiny zařízení můžete zavést chladicí kapalinu.

Kroky:

- Připojte výstup chladicí kapaliny a ⑥ (přívod vody G1/2) ve spodní části zařízení pomocí ② (jedné šroubovací trubky G1/2)

a připojte vstup návratu kapaliny ⑦ (výstup vody G1/2) v horní části zařízení pomocí ② (druhá šroubovací trubka G1/2).

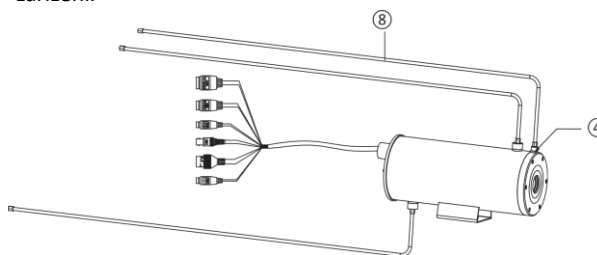


Obrázek 3-10 Připojení trubky pro vodní chlazení

Poznámka:

Ověřte, že jsou plochá těsnění na koncích trubek správně nainstalována, jinak by mohlo dojít k narušení efektu odolnosti proti vodě.

- Připojte výstup stlačeného vzduchu a ④ (přívod vzduchu G1/4) v horní části zařízení pomocí ⑧ (šroubovací trubka G1/4). Stlačený vzduch následně dokáže odstranit prach v okénku zařízení.



Obrázek 3-11 Instalace odstranění prachu

Poznámka:

Délka šroubovací trubky v balení činí 1 m a vy můžete trubku zakoupit v souladu se skutečnými požadavky na instalaci.

- Obalte tři šroubovací trubky materiály tepelné izolace. Doporučujeme použít aerogel a křemičitan hlinitý.

4 Aktivace síťové kamery a přístup ke kameře

Ke stažení a instalaci aplikace HIMICRO Studio navštivte web www.hikmicrotech.com. Podrobné pokyny naleznete v uživatelské příručce zařízení.

Právní informace


©2022 Hangzhou Microimage Software Co., Ltd. Všechna práva vyhrazena.

Informace o tomto návodu

V návodu jsou obsaženy pokyny k používání a obsluze výrobku. Obrázky, schémata, snímky a veškeré ostatní zde uvedené informace slouží pouze jako popis a vysvětlení. Informace obsažené v tomto návodu podléhají vzhledem k aktualizacím firmwaru nebo z jiných důvodů změnám bez upozornění. Nejnovější verzi tohoto návodu naleznete na webových stránkách společnosti HIKMICRO (www.hikmicrotech.com/).

Tento návod použijte s vedením a pomocí odborníků vyškolených v oblasti podpory výrobku.

Prohlášení o ochranných známkách

 a ostatní ochranné známky společnosti HIKMICRO jsou vlastnictvím společnosti HIKMICRO v různých jurisdikcích.

Ostatní ochranné známky a loga uvedené v této příručce jsou majetkem příslušných vlastníků.

Prohlášení o vyloučení odpovědnosti

TATO PŘÍRUČKA A POPISOVANÉ PRODUKTY VČETNĚ PŘÍSLUŠNÉHO HARDWARU, SOFTWARE A FIRMWARU JSOU V MAXIMÁLNÍM ROZSAHU PŘÍPUSTNÉM PODLE ZÁKONA POSKYTOVÁNY „JAK STOJÍ A LEŽÍ“, A „SE VŠEMI VADAMI A CHYBAMI“. SPOLEČNOST HIKMICRO NEPOSKYTUJE ŽÁDNÉ VÝSLOVNÉ ANI PŘEDPOKLÁDANÉ ZÁRUKY ZARNUJÍCÍ MIMO JINÉ PRODEJNOST, USPOKOJIVOU KVALITU NEBO VHODNOST KE KONKRÉTNÍM ÚČELŮM. POUŽÍVÁNÍ TOHOTO PRODUKTU JE NA VAŠE VLASTNÍ RIZIKO. SPOLEČNOST HIKMICRO V ŽÁDNÉM PŘÍPADĚ NENESE

ODPOVĚDNOST ZA JAKÉKOLI ZVLÁŠTNÍ, NÁSLEDNÉ, NÁHODNÉ NEBO NEPŘÍMÉ ŠKODY ZAHRAJÍCÍ MIMO JINÉ ŠKODY ZE ZTRÁTY OBCHODNÍHO ZISKU, PŘERUŠENÍ OBCHODNÍ ČINNOSTI NEBO ZTRÁTY DAT, POŠKOZENÍ SYSTÉMŮ NEBO ZTRÁTY DOKUMENTACE V SOUVISLOSTI S POUŽÍVÁNÍM TOHOTO VÝROBKU BEZ OHLEDU NA TO, ZDA TAKOVÉ ŠKODY VZNIKLY Z DŮVODU PORUŠENÍ SMLOUVY, OBČANSKOPRÁVNÍHO PŘÍČINY (VČETNĚ NEDBALOSTI) ČI ODPOVĚDNOSTI ZA PRODUKT, A TO ANI V PŘÍPADĚ, ŽE SPOLEČNOST HIKMICRO BYLA NA MOŽNOST TAKOVÝCHTO ŠKOD NEBO ZTRÁTY UPOZORNĚNA.

BERETE NA VĚDOMÍ, ŽE INTERNET SVOU PODSTATOU PŘEDSTAVUJE SKRYTÁ BEZPEČNOSTNÍ RIZIKA A SPOLEČNOST HIKMICRO PROTO NEPŘEBÍRÁ ŽÁDNOU ODPOVĚDNOST ZA NESTANDARDNÍ PROVOZNÍ CHOVÁNÍ, ÚNIK OSOBNÍCH ÚDAJŮ NEBO JINÉ ŠKODY VYPLYVÁJÍCÍ Z KYBERNETICKÉHO ČI HACKERSKÉHO ÚTOKU, NAPADENÍ VÍREM NEBO ŠKODY ZPŮSOBENÉ JINÝMI INTERNETOVÝMI BEZPEČNOSTNÍMI RIZIKY; SPOLEČNOST HIKMICRO VŠAK V PŘÍPADĚ POTŘEBY POSKYTNĚ VČASNOU TECHNICKOU PODPORU.

SOUHLASÍTE S TÍM, ŽE TENTO PRODUKT BUDE POUŽÍVÁN V SOULADU SE VŠEMI PLATNÝMI ZÁKONY A VÝHRADNĚ ODPOVÍDÁTE ZA ZAJIŠTĚNÍ, ŽE VAŠE UŽÍVÁNÍ BUDE V SOULADU S PLATNOU LEGISLATIVOU. ODPOVÍDÁTE ZEJMÉNA ZA POUŽÍVÁNÍ PRODUKTU ZPŮSOBEM, KTERÝ NEPORUŠUJE PRÁVA TŘETÍCH STRAN, COŽ ZAHRAJUE MIMO JINÉ PRÁVO NA OCHRANU OSOBNOSTI, PRÁVO DUŠEVNÍHO VLASTNICTVÍ NEBO PRÁVO NA OCHRANU OSOBNÍCH ÚDAJŮ A DALŠÍ PRÁVA NA OCHRANU SOUKROMÍ. TENTO PRODUKT NESMÍTE POUŽÍVAT JKJAKÝMKOLI NEDOVOLĚNÝM KONCOVÝM ÚČELŮM VČETNĚ VÝVOJE ČI VÝROBY ZBRANÍ HROMADNĚHO NIČENÍ, VÝVOJE NEBO VÝROBY CHEMICKÝCH ČI BIOLOGICKÝCH ZBRANÍ NEBO JAKÝCHKOLI ČINNOSTÍ SOUVISEJÍCÍCH SJADERNÝMI VÝBUŠNINAMI NEBO NEBEZPEČNÝM JADERNÝM PALIVOVÝM CYKLEM ČI K PODPOŘE PORUŠOVÁNÍ LIDSKÝCH PRÁV.

V PŘÍPADĚ JAKÉHOKOLI ROZPORU MEZI TÍMTO NÁVODEM A PŘÍSLUŠNÝMI ZÁKONY PLATÍ DRUHÉ ZMÍNĚNÉ.

Zákonné informace

Tyto části se vztahují pouze k výrobkům nesoucím odpovídající označení nebo informaci.

EU prohlášení o shodě



2011/65/EU.



Směrnice 2012/19/ES (WEEE): Výrobky označené tímto symbolem nelze v Evropské unii likvidovat společně s netříděným domovním odpadem. Při zakoupení nového ekvivalentního výrobku tento výrobek řádně zrecykluje vrácením svému místnímu dodavateli, nebo jej zlikvidujte odevzdáním v určených sběrných místech. Další informace naleznete na adrese: www.recyclethis.info.



Směrnice 2006/66/ES (týkající se baterií): Tento výrobek obsahuje baterii, kterou nelze v Evropské unii likvidovat společně s netříděným domovním odpadem. Konkrétní informace o baterii naleznete v dokumentaci výrobku. Baterie je označena tímto symbolem, který může obsahovat písmena značící kadmium (Cd), olovo (Pb) nebo rtuť (Hg). Za účelem řádné recyklace baterii odevzdejte svému dodavateli nebo na určené sběrné místo. Více informací naleznete na webu: www.recyclethis.info.

Bezpečnostní pokyny

Účelem těchto pokynů je zajistit, aby uživatel mohl výrobek správně používat a zabránilo se nebezpečí nebo újmě na majetku.

Zákony a předpisy

- Při používání výrobku je nutné přísně dodržovat všechny národní a místní předpisy týkající se elektrické bezpečnosti.

Přeprava

- Při přepravě uchovávejte zařízení v původním nebo jemu podobném balení.
- Po vybalení uchovávejte veškeré obaly pro budoucí použití. V případě jakékoli poruchy je třeba vrátit zařízení výrobcí v původním obalu. Přeprava bez původního obalu může vést k poškození zařízení, za které společnost neponese odpovědnost.
- Produkt nevystavujte fyzickým nárazům a zabraňte jeho spadnutí. Udržujte zařízení mimo dosah magnetického rušení.

Napájení

Tento výrobek a případně i dodané příslušenství jsou označeny štítkem „CE“, což znamená, že vyhovují příslušným harmonizovaným evropským normám uvedeným ve směrnici EMC 2014/30/EU a směrnici RoHS

- Zaupte si nabíječku sami. Vstupní napětí musí dle normy IEC62368 splňovat požadavky na omezený zdroj napájení 12 V stejnosm.
- Podrobné informace naleznete v technických údajích.
- Zkontrolujte, zda je zástrčka řádně zapojena do napájecí zásuvky.
- Síťová zásuvka musí být namontována v blízkosti zařízení a musí být snadno přístupná.
- K jednomu napájecímu adaptéru NEPŘIPOJUJTE více zařízení, abyste zabránili přehřátí nebo nebezpečí požáru v důsledku přetížení.
- Po vypnutí jističe se NEDOTÝKEJTE obnažených kovových kontaktů vstupů. Stále jsou pod proudem.
- + označuje kladnou svorku zařízení, která se používá se stejnosměrným proudem nebo jej generuje. - označuje zápornou svorku zařízení, která se používá se stejnosměrným proudem nebo jej generuje.

Baterie

- UPOZORNĚNÍ: Při výměně baterie za nesprávný typ hrozí nebezpečí výbuchu.
- Použité baterie zlikvidujte podle pokynů.
- Vyměňte-li baterii za nesprávný typ, může dojít k poškození bezpečnostního prvku (například v případě některých typů lithiových baterií).
- Baterii nevhazujte do ohně, nevkládejte do horké trouby, mechanicky ji neдрtíte ani neřezejte. Mohlo by dojít k výbuchu.
- Neponechávejte baterii v prostředí s extrémně vysokou teplotou, protože by mohlo dojít k výbuchu nebo úniku hořlavé kapaliny nebo plynu.
- Baterii extrémně nízkému tlaku vzduchu, protože by mohlo dojít k výbuchu nebo úniku hořlavé kapaliny nebo plynu.

Montáž

- Zařízení nikdy neumísťujte na nestabilní místo. Zařízení může spadnout a způsobit vážné zranění nebo smrt.
- Toto zařízení je určeno k používání pouze s odpovídajícími držáky. Při použití jiného vybavení (vozíků, stojanů nebo nosičů) může být instalace nestabilní a může dojít ke zranění.

Zabezpečení systému


- Berete na vědomí, že internet svou podstatou představuje skrytá bezpečnostní rizika a naše společnost proto nepřebírá žádnou odpovědnost za nestandardní provozní chování, únik osobních údajů nebo jiné škody vyplývající z kybernetického či hackerského útoku; naše společnost však v případě potřeby poskytne včasnou technickou podporu.

- Zajištění ochrany osobních údajů a zabezpečení dat, protože se zařízení během připojení k internetu může potýkat s problémy se zabezpečením sítě. Obratťe se na nás, pokud se vyskytnou problémy se zabezpečením sítě nebezpečné pro zařízení.
- Mějte na paměti, že jste odpovědní za konfiguraci všech hesel a dalších nastavení zabezpečení zařízení a uchovejte uživatelské jméno a heslo.

Údržba

- V případě, že výrobek nefunguje správně, obraťte se na prodejce nebo na nejbližší servisní středisko. Nepřebíráme žádnou odpovědnost za problémy způsobené neoprávněnou opravou nebo údržbou.
- Některé z komponent zařízení (např. elektrolytický kondenzátor) je nutné pravidelně vyměňovat. Průměrná doba životnosti se liší, doporučujeme proto pravidelné kontroly. Podrobnosti vám poskytne prodejce.
- V případě potřeby zařízení jemně otreťte čistým hadříkem navlhčeným malým množstvím etanolu.
- V případě použití zařízení způsobem jiným než určeným výrobcem může dojít ke zrušení platnosti záruky.
- Pojistku vyměňte pouze za pojistku stejného typu a se stejným jmenovitým proudem, abyste omezili nebezpečí požáru.
- Sériový port zařízení se používá pouze k ladění.

Provozní prostředí

- Zajištění, aby provozní prostředí vyhovovalo požadavkům zařízení. Provozní teplota by měla být v rozmezí od 0 °C do 200 °C (32 °F až 392 °F), v závislosti na systému instalace, a vlhkost by měla činit 95 % nebo méně.
- Umístěte zařízení na suché a dobře větrané místo.
- NEVYSTAVUJTE zařízení silnému elektromagnetickému záření ani prašnému prostředí.
- NEMÍŘTE objektivem do slunce ani do jiného zdroje jasného světla.
- Zařízení nesmí být vystaveno kapající nebo stříkající vodě a nesmí se na něj pokládat předměty s tekutinami, jako jsou vázy.
- Na zařízení se nesmí pokládat zdroje otevřeného ohně jako například hořící svíčky.
- Ve speciálních podmínkách, jako je na vrcholcích hor, na kovové věži nebo v lese namontujte do vstupního otvoru zařízení přepěťovou ochranu.
- Při manipulaci s díly označenými symbolem  si můžete popálit prsty. Než budete s díly manipulovat, vyčkejte po vypnutí zařízení půl hodiny.

Stav nouze

- Pokud se zařízení vychází kouř, zápach nebo hluk, zařízení okamžitě vypněte, odpojte napájecí kabel a obraťte se na servisní středisko.

POZNÁMKA O DODRŽOVÁNÍ PŘEDPISŮ: Na výrobky termální řady se mohou vztahovat vývozní opatření v různých zemích nebo regionech včetně, mimo jiné, Spojených států, Evropské unie, Spojeného království a dalších členských států Wassenaarského ujednání. Máte-li v úmyslu přenášet, exportovat nebo opětovně exportovat výrobky termální řady mezi různými zeměmi, obraťte se na profesionálního právníka, odborníka v oblasti dodržování předpisů nebo místní úřady, aby vám sdělili všechny nezbytné licenční požadavky pro export.

Dansk

1 Klargøring

Grundkrav

- Al drift af elektronisk udstyr skal finde sted under nøje overholdelse af elektriske sikkerhedsbestemmelser, bestemmelser om brandforebyggelse og øvrige relevante bestemmelser i dit lokalområde.
- Kontrollér indholdet af pakken, og kontrollér, at enheden i pakken er i god tilstand, og at alle dele til samling er inkluderet.
- Brug systemet iht. kravene på driftsstedet.

Kontrol af driftsstedet

- Sørg for, at der er tilstrækkeligt med plads til opsætning af kameraet og dets tilbehør.
- Kontrollér, at væggen er stærk nok til at bære mindst 8 gange vægten af kameraet og beslaget.

Klargøring af kabler

- Afhængigt af den faktiske netværksbåndbredde skal du bruge et Cat5 (op til 100 M) eller Cat6 (over 100 M).

- Hvis kameraet anvender en standard 12 V jævnstrømsstrømforsyning, skal strømkablet være AWG 18 eller derover. Formlen for krydssektion S (mm²) og den maksimale sendedistance L (m) i det blottede kabel er L=50*S.
- Vælg videokabel iht. sendedistancen. Videokablet skal som minimum overholde følgende krav: 75 Ω modstand; 100 % kobberkerneledning; 95 % flettet kobberafskærmning.

Klargøring af værktøj

Inden installationen skal du sikre dig, at du har det nødvendige værktøj, som fx ekspansionsskruer, elektrisk hammer, elektrisk boremaskine, skruenøgle, skruetrækker, elektronisk sonde og netværkskabel.

Originalemballage

Når du pakker kameraet ud, bør du gemme originalemballagen for det tilfælde, at kameraet skal sendes ind til reparation. I så fald kan du returnere kameraet i æsken.

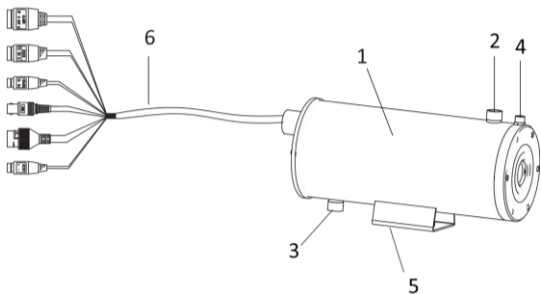
Bemærk:

Bruger er ansvarlig for enhver skade, der skyldes transport i uoriginal emballage.

2 Beskrivelse af kamera

2.1 Udseende

Se tegningen herunder for en oversigt over kameraet.



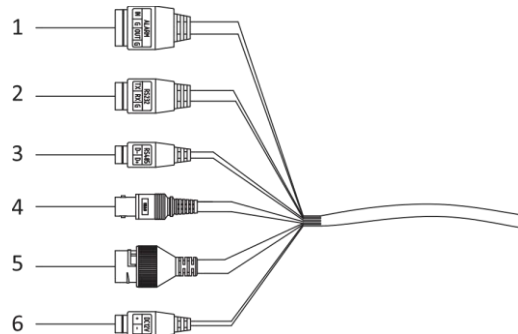
Figur 2-1 Udsende

Tabel 2-1 Oversigt over enheden

Nr.	Beskrivelse
1	Kamera
2	G1/2 Vand-/luftudtag
3	G1/2 Vand-/luftindtag
4	G1/4 Luftindtag
5	Monteringsplade
6	Kabler

2.2 Beskrivelse af kabler

Kameraets kabelgrænseflader vises i Figur 2-20.



Figur 2-2 Kameraets kabler

Tabel 2-2 Oversigt over enheden

Nr.	Beskrivelse
1	Alarmindgang/-udgang
2	RS-232-kabel
3	RS-485-kabel
4	CVBS-kabel
5	RJ45-netværkskabel
6	Strømkabel

3 Installation

3.1 Kabelføring

Tag hele installationsmiljøet og enhedens placering med i beregningerne, når du planlægger kabelføringen. For at sikre stabil strømforsyning og signaloverførsel skal du nøje følge reglerne herunder:

- Kontrollér installationsmiljøet inden kabelføring, herunder kabelafstand, kablingsmiljø, evt. interferens fra magnetfelter osv.
- Kablets nominelle spænding skal være højere end enheden kræver, således at enheden kan fungere normalt, selv hvis der opstår ustabil spænding.
- Det anbefales at anvende et enkelt, komplet kabel til kabelføringen. I modsat fald bør du tage skridt til at beskytte samlingen mellem to kabler, ellers vil enheden muligvis fungere unormalt pga. kredsløbsældning.
- Sørg for, at enhedens kabler er vel beskyttede, og brug forstærkning og beskyttelsesforanstaltninger under kabelføringen.
- Undgå at støde kablerne og beskadige den magnetiske ring, ellers kan enheden fungere unormalt.
- Sørg for, at kablerne ikke hænger for løst eller strammes for meget.
- Kabelføringen bør udføres af en fagmand. Hvis enheden ikke kan fungere korrekt, kan du tjekke ovenstående oplysninger med henblik på fejlfinding.

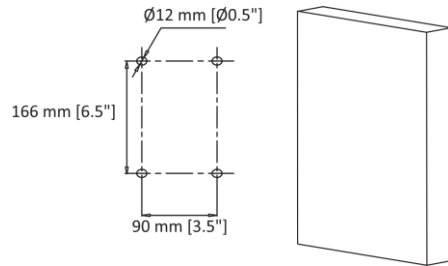
3.2 Installation af kameraet

Før du starter:

Beslaget er ikke inkluderet i pakken. Det skal købes separat.

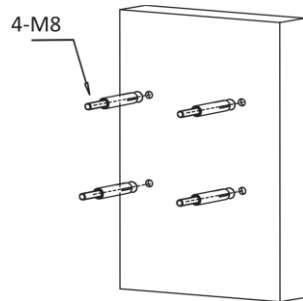
Trin:

1. Bor fire huller i muren iht. målene på skabelonen til montering af vægbeslag.



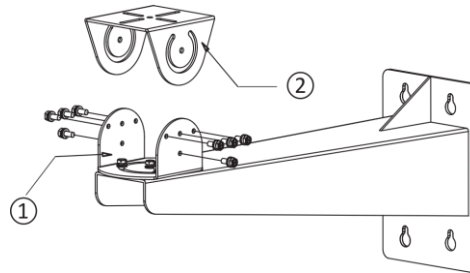
Figur 3-1 Bor huller i muren

2. Placér fire M8-skruer i hullerne.



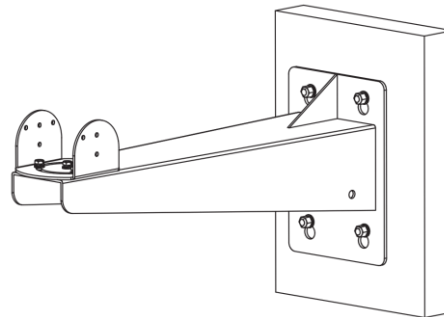
Figur 3-2 Placering af M8-skruer i hullerne

3. Løsn og fjern skrueerne, der holder PT-beslaget.



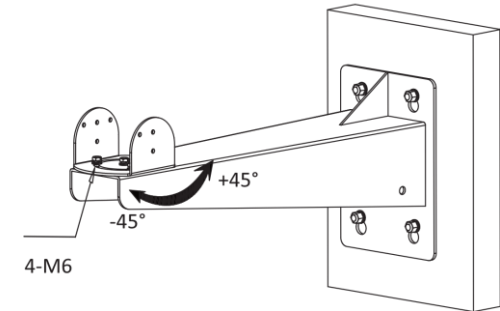
Figur 3-3 Afmontering af PT-beslag

Bemærk: ①: PT-beslag, bund; ②: PT-beslag, top
4. Tilpas de fire huller i beslaget med de fire M8-skruer på væggen, sæt beslaget fast på væggen, og stram skrueerne.



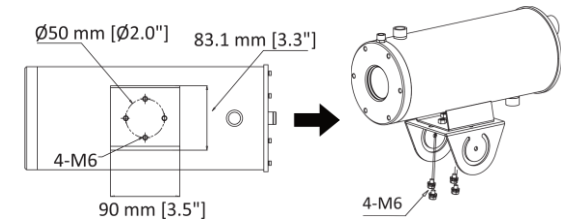
Figur 3-4 Montering af beslag

5. Løsn de fire M6-skruer i bunden af PT-beslaget for at justere panoreringsvinklen, og spænd skrueerne igen efter justeringen. Panoreringsvinklen er fra -45° til 45°.



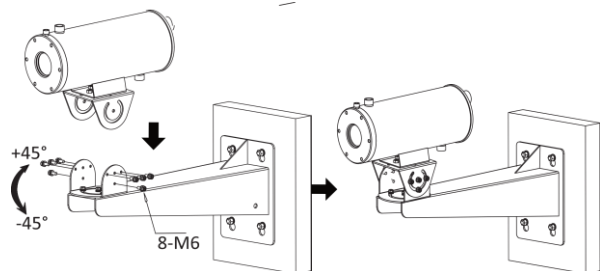
Figur 3-5 Justering af panoreringsvinkel

6. Installér PT-beslagets overdel på kameraets monteringsbase med fire M6-skruer.



Figur 3-6 Installation af PT-beslagets overdel på kameraet

7. Skru de otte M6-skruer i, og justér kameraets tiltvinkel. Spænd skrueerne efter justeringen. Tiltområdet er fra -45° til 45°.



Figur 3-7 Justering af tiltvinkel

3.3 Installation af køling og afstøvning

Luft- eller vandkøling er påkrævet til køling af det termiske kameramodul, hvis enheden anvendes i et område med høje temperaturer. Installation af afstøvning hjælper med at fjerne støv fra enhedens vindue og køler enheden, så billedet står mere skarpt.

Før du starter:

Vælg en passende kølemetode iht. det driftmiljø, enheden skal anvendes i.

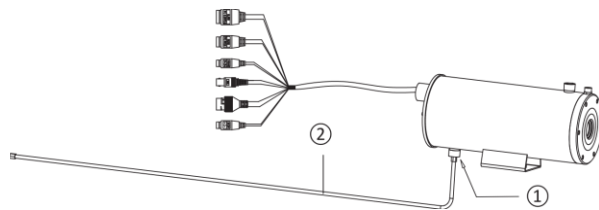
- Hvis driftstemperaturen ligger mellem 50 °C og 100 °C (inkl. 100 °C), bør du vælge luftkøling.
- Hvis driftstemperaturen ligger mellem 100 °C og 200 °C (inkl. 200 °C), bør du vælge vandkøling.

3.3.1 Installation af luftkøling og afstøvning

Du kan anvende komprimeret luft til reduktion af temperaturen i enhedens indre.

Trin:

1. Forbind udtaget til komprimeret luft og ① (G1/2 luftindtag) i bunden af enheden med ② (G1/2 skruet rør).

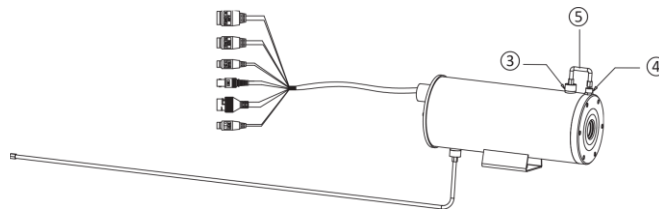


Figur 3-8 Tilslutning af rør til luftkøling

Bemærk:

Længden på det skruede rør i pakken er 1 m, og du kan købe rør iht. dine faktiske installationsbehov.

2. Forbind ③ (G1/2 luftudtag) og ④ (G1/4 luftindtag) med ⑤ (adapter), hvorefter den komprimerede luft kan fjerne støv på enhedens vindue.



Figur 3-9 Installation af afstøvning

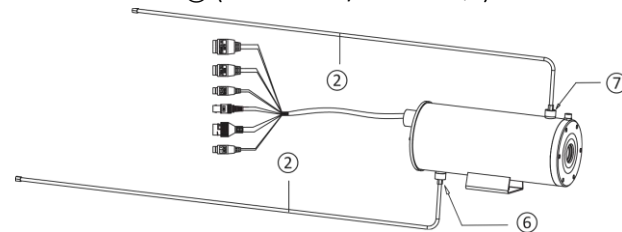
3. Pak det skruede rør ind i varmeisolerende materialer. Aerogel og aluminiumsilikat anbefales.

3.3.2 Installation af vandkøling og afstøvning

Du kan anvende kølevand til reduktion af temperaturen i enhedens indre.

Trin:

1. Forbind kølevandsudtaget og ⑥ (G1/2 vandindtaget) i bunden af enheden med ② (det ene G1/2 skruede rør), og forbind indtaget til returvand og ⑦ (G1/2 vandudtaget) i toppen af enheden med ② (det andet G1/2 skruede rør).

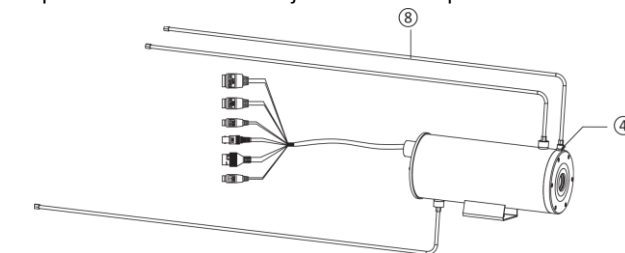


Figur 3-10 Tilslutning af rør til vandkøling

Bemærk:

Kontrollér, at tætningspakningerne i rørenderne er korrekt monteret, ellers kan den vandtætte effekt blive påvirket.

2. Forbind udtaget til komprimeret luft og ④ (G1/4 luftindtaget) i toppen af enheden med ⑧ (G1/4 skruet rør), hvorefter støv på enhedens vindue kan fjernes med komprimeret luft.



Figur 3-11 Installation af afstøvning

Bemærk:

Længden på det skruede rør i pakken er 1 m, og du kan købe rør iht. dine faktiske installationsbehov.

3. Pak de tre skruede rør ind i varmeisolerende materialer. Aerogel og aluminiumsilikat anbefales.

4 Aktivér og få adgang til netværkskameraet

Gå til www.hikmicrotech.com for at hente og installere HIKMICRO Studio. Nærmere oplysninger om betjening af enheden finder du i brugervejledningen.


Juridiske oplysninger

©2022 Hangzhou Microimage Software Co., Ltd. Alle rettigheder forbeholdes.

Om denne vejledning

Vejledningen indeholder anvisninger om brug og håndtering af produktet. Billeder, diagrammer, illustrationer og alle øvrige oplysninger herefter tjener kun som beskrivelse og forklaring. Oplysningerne i vejledningen er med forbehold for ændring uden varsel på grund af opdateringer af firmware eller andre årsager. Du kan finde den seneste udgave af vejledningen på webstedet for HIKMICRO (www.hikmicrotech.com/). Brug brugervejledningen under vejledning af og med hjælp fra fagfolk, der er uddannet i understøttelse af produktet.

Anerkendelse af varemærker

 og andre af HIKMICRO's varemærker og logoer tilhører HIKMICRO i forskellige jurisdiktioner. Andre nævnte varemærker og logoer tilhører deres respektive ejere.

Ansvarsfraskrivelse

VEJLEDNINGEN OG DET HERI BESKREVNE PRODUKT, INKL. HARDWARE, SOFTWARE OG FIRMWARE, LEVERES I STØRST MULIGT OMFANG, DER ER TILLADT VED LOV, "SOM DET ER OG FOREFINDES" OG "MED ALLE DEFEKTER OG FEJL". HIKMICRO UDSTEDER INGEN GARANTIER, HVERKEN UDTRYKKELEGE ELLER UNDERFORSTÅEDE, INKL. UDEN BEGRÆNSNING, VEDRØRENDE SALGBARHED, TILFREDSSTILLELSE KVALITET ELLER EGNETHED TIL ET BESTEMT FORMÅL. DIN BRUG AF PRODUKTET SKER PÅ DIN EGEN RISIKO. UNDER INGEN OMSTÆNDIGHEDER ER HIKMICRO ANSVARLIG OVER FOR DIG FOR SÆRLIGE SKADER, HÆNDELIGE SKADER,

FØLGESKADER ELLER INDIREKTE SKADER, INKL. BL.A., SKADER SOM FØLGE AF DRIFTSTAB, DRIFTSFORSTYRRELSER ELLER TAB AF DATA, BESKADIGELSE AF SYSTEMER ELLER TAB AF DOKUMENTATION, UANSET OM DET ER BASERET PÅ KONTRAKTBRUD, SKADEVOLDENDE HANDLINGER (HERUNDER UAGTSOMHED), PRODUKTANSVAR ELLER PÅ ANDEN MÅDE I FORBINDELSE MED BRUGEN AF PRODUKTET, SÆLVOM HIKMICRO ER BLEVET UNDERRETET OM MULIGHEDEN FOR SÅDANNE SKADER.

DU ANERKENDER, AT INTERNETTET INDEHOLDER INDBYGGEDE SIKKERHEDSRISICI. HIKMICRO PÅTAGER SIG INTET ANSVAR FOR UNORMAL DRIFT, LÆKAGE AF PERSONLIGE OPLYSNINGER ELLER ANDRE SKADER SOM FØLGE AF CYBERANGREB, HACKERANGREB, VIRUSANGREB ELLER ANDRE INTERNETSIKKERHEDSRISICI. HIKMICRO VIL DOG YDE EVENTUEL NØDVENDIG OG RETTIDIG TEKNISK SUPPORT. DU ERKLÆRER DIG INDFORSTÅET MED AT BRUGE PRODUKTET I OVERENSSTEMMELSE MED ALLE GÆLDENDE LOVE, OG DU ER ENEANSVARLIG FOR AT SIKRE, AT DIN BRUG OVERHOLDER AL GÆLDENDE LOVGIVNING. DU ER ISÆR ANSVARLIG FOR AT BRUGE PRODUKTET PÅ EN MÅDE, DER IKKE KRÆNKER TREDJEPARTERS RETTIGHEDER, HERUNDER, UDEN BEGRÆNSNINGER, RETTIGHEDER VEDRØRENDE OFFENTLIG OMTALE, INTELLEKTUELLE EJENDOMSRETTIGHEDER ELLER RETTIGHEDER VEDRØRENDE DATABESKYTTELSE OG ANDRE RETTIGHEDER VEDRØRENDE PERSONLIGE OPLYSNINGER. DU MÅ IKKE BRUGE PRODUKTET TIL FORBUDTE SLUTANVENDELSER, HERUNDER UDVIKLING ELLER FREMSTILLING AF MASSEDELÆGGELSESVÅBEN, UDVIKLING ELLER PRODUKTION AF KEMISKE ELLER BIOLOGISKE VÅBEN, AKTIVITETER I DEN KONTEKST, DER ER KNYTTET TIL ATOMBOMBER ELLER USIKKERT REAKTORBRÆNDSEL, ELLER SOM STØTTE TIL OVERTRÆDELSE AF MENNESKERETTIGHEDER. I TILFÆLDE AF UOVERENSSTEMMELSE MELLEM VEJLEDNINGEN OG GÆLDENDE LOVGIVNING GÆLDER SIDSTNÆVNTE.

Lovgivningsmæssige oplysninger

Disse bestemmelser gælder kun for produkter, der er forsynet med det relevante mærke eller oplysninger.

EU-overensstemmelseserklæring



Dette produkt og eventuelt medfølgende tilbehør er mærket "CE" og opfylder derfor gældende harmoniserede europæiske standarder anført i Lavspændingsdirektivet 2014/30/EU og RoHS-direktivet 2011/65/EU.

2012/19/EU (WEEE-direktivet): Produkter, der er mærket med dette



symbol, kan ikke bortskaffes som almindeligt husholdningsaffald i EU. Med henblik på korrekt genbrug skal du aflevere produktet til din lokale leverandør ved køb af tilsvarende nyt udstyr eller aflevere det på et dertil indrettet indleveringssted. For yderligere oplysninger se: www.recyclethis.info.



2006/66/EF (batteridirektivet): Dette produkt indeholder et batteri, som ikke kan bortskaffes sammen med almindeligt husholdningsaffald i EU. Find specifikke oplysninger om batteriet i produkt dokumentationen. Batteriet er mærket med dette symbol, som kan indeholde bogstaver, der indikerer indhold af kadmium (Cd), bly (Pb) eller kviksølv (Hg). Med henblik på korrekt genbrug skal du aflevere batteriet til din leverandør eller til et dertil indrettet indleveringssted. Du kan få flere oplysninger her: www.recyclethis.info.

Sikkerhedsanvisning

Disse anvisninger skal sikre, at brugeren kan anvende produktet korrekt og undgå fare eller tab af ejendom.

Love og bestemmelser

- Når du anvender produktet, skal du strengt overholde landets og regionens sikkerhedsbestemmelser for elnettilslutning.

Transport

- Opbevar enheden i den oprindelige eller en lignende emballage, når den skal transporteres.
- Gem al emballage efter udpakningen til senere brug. Du skal bruge den originale emballage til at returnere enheden til fabrikken, hvis der opstår fejl. Transport uden den originale emballage kan medføre skade på enheden, og virksomheden tager intet ansvar derfor.
- Tab ikke produktet, og udsæt det ikke for fysiske stød. Hold enheden væk fra magnetisk interferens.

Strømforsyning

- Du skal selv købe en oplader. Indgangsspænding skal overholde LPS (Limited Power Source) med 12 V jævnstrøm iht. standarden IEC62368. Du kan finde nærmere oplysninger i de tekniske specifikationer.
- Kontrollér, at stikket er sat godt i stikkontakten.
- Stikkontakten skal være installeret i nærheden af udstyret og være nemt tilgængelig.

- Slut IKKE flere enheder til én strømadapter for at undgå overhedning eller brandfare som følge af overbelastning.
- Rør IKKE ved de blottede metalcontakter på indgangene, når afbryderen er slukket. Der er fortsat elektricitet til stede.
- + identificerer de positive terminaler på udstyret, der bruges sammen med eller genererer jævnstrøm. - identificerer de negative terminaler på udstyret, der bruges sammen med eller genererer jævnstrøm.

Batteri

- **FORSIGTIG:** Der er eksplosionsfare, hvis batteriet udskiftes med en ukorrekt type.
- Bortskaft brugte batterier i henhold til anvisningerne.
- Udskiftning af batteriet med et batteri af forkert type kan sætte en sikkerhedsforanstaltning ud af kraft (gælder fx for visse litium-batterityper).
- Bortskaft ikke batteriet i åben ild eller en varm ovn. Knus ikke, og skær ikke i batteriet, da dette kan forårsage en eksplosion.
- Opbevar ikke batteriet i omgivelser med ekstremt høje temperaturer, da det kan medføre en eksplosion eller lækage af brandfarlig væske eller luftart.
- Ikke batteriet for omgivelser med ekstremt lavt lufttryk, da det kan medføre en eksplosion eller lækage af brandfarlig væske eller luftart.

Installation

- Placér aldrig udstyret på et usikkert underlag. Udstyret kan vælte og forårsage alvorlig personskade eller død.
- Brug kun udstyret sammen med de tilsvarende beslag. Brug af andet (arbejdsvoгне, stativer eller støtter) kan medføre ustabilitet og forårsage personskade.


Systemsikkerhed

- Du anerkender, at internettet indeholder indbyggede sikkerhedsrisici. Vores virksomhed påtager sig intet ansvar for unormal drift, lækage af personlige oplysninger eller andre skader som følge af cyberangreb eller hackerangreb. Vores virksomhed vil dog yde nødvendig rettidig teknisk bistand.
- Sørg for at aktivere beskyttelse af personoplysninger og datasikkerhed, da enheden kan blive udsat for netværkssikkerhedsproblemer, når den tilsluttes internettet. Kontakt os, hvis der opstår netværkssikkerhedsrisici.
- Du skal være bevidst om, at du har ansvar for at konfigurere alle adgangskoder og andre sikkerhedsindstillinger vedrørende enheden og at opbevare dit brugernavn og din adgangskode et sikkert sted.

Vedligeholdelse

- Hvis produktet ikke virker korrekt, skal du kontakte din forhandler eller dit nærmeste servicecenter. Vi påtager os intet ansvar for problemer, der er forårsaget af uautoriseret reparation eller vedligeholdelse.
- Der er få enhedsdele (fx elektrolytkondensator), der skal udskiftes regelmæssigt. Den gennemsnitlige levetid varierer. Derfor er det nødvendigt at udføre regelmæssig kontrol. Kontakt din forhandler for nærmere oplysninger.
- Tør enheden forsigtigt af med en ren klud og en lille mængde ætanol, hvis det er nødvendigt.
- Hvis udstyret bruges på en måde, der ikke er angivet af producenten, kan den beskyttelse, der enheden giver, blive forringet.
- Udskift kun med en sikring af samme type og effekt for at reducere risikoen for brand.
- Den serielle port på udstyret bruges kun til fejlfinding.

Driftsmiljø

- Kontrollér, at driftsmiljøet opfylder enhedens krav. Driftstemperaturen skal ligge i området 0 °C til 200 °C (32 °F til 392 °F) afhængigt af installationsystemet, og luftfugtigheden skal være 95 % eller derunder.
- Anbring enheden i et tørt og veludluftet miljø.
- Enheden må IKKE udsættes for kraftig elektromagnetisk stråling eller støvfyldte miljøer.
- Objektivet må IKKE rettes mod solen eller et stærkt lys.
- Udsæt ikke udstyret for dryp eller sprøjt, og placér ikke genstande med væske, såsom vaser, oven på udstyret.
- Placér ikke kilder med åben ild, såsom et tændt stearinlys, oven på udstyret.
- Installer en spændingsdæmper ved udstyrets indgangsåbning under særlige forhold som f.eks. bjergtop, jerntårn og skov.
- Risiko for forbrænding ved håndtering af dele med symbolet . Vent 30 minutter, efter at udstyret er slukket, før delene håndteres.

Nødsituation

- Hvis enheden afgiver røg, lugt eller støj, skal du straks slukke for strømmen og trække strømkablet ud. Kontakt derefter servicecentret.

MEDDELELSE OM OVERENSSTEMMELSE: Produkterne i den termografiske serie kan være underlagt eksportkontrol i forskellige lande

eller områder, herunder, uden begrænsning, USA, EU, Storbritannien og/eller andre medlemslande i Wassenaar-aftalen. Kontakt din professionelle jurakonsultant, ekspert i overensstemmelse eller de lokale offentlige myndigheder for at få oplysninger om kravene for eksportlicens, hvis du har til hensigt at overføre, eksportere eller geneksportere enheder i den termiske serie mellem forskellige lande.

Magyar

1 Előkészítés

Alapkövetelmények

- Az elektromosságot érintő műveleteket az elektromos érintésvédelmi előírások, tűzvédelmi előírások és más, hatályos helyi előírások szigorú figyelembe vételével kell elvégezni.
- Ellenőrizze a csomag tartalmát, és győződjön meg arról, hogy a csomagban lévő készülék jó állapotban van, és az összes szerelési alkatrész mellékelve van.
- A rendszert az üzemelési környezet követelményeinek megfelelően használja.

Telepítési környezet ellenőrzése

- Bizonyosodjon meg, hogy a kamera és tartozékai telepítéséhez elegendő szabad hely áll rendelkezésre.
- Ellenőrizze, hogy a fal képes-e megtartani a kamera és a tartóelem súlyának legalább nyolcszorosát.

Kábelek előkészítése

- A valós hálózati sávszélesség függvényében Cat5 (100 M) vagy Cat6 (100 M felett) kábel használata szükséges.
- Amennyiben a kamera standard 12 voltos egyenáramú (VDC) tápforrásról üzemel, amerikai huzalmérték szerinti 18-as tápkábel használata szükséges. A csupaszhuzal S keresztmetszete (mm²) és L maximális átviteli távolsága (m) közötti összefüggést az L=50*S képlet adja meg.

- Az átviteli távolság alapján válasszon videokábelt. A videónak az alábbi minimális követelményeknek kell eleget tennie: 75Ω-os ellenállás; 100%-os rézeres vezető huzal; 95%-os fonott rézárnyékolás.

Szerszámok előkészítése

A felszerelés előtt készítse elő a szükséges szerszámokat, mint például a bővítőcsavarokat, elektromos kalapácsot, elektromos fúrót, csavar kulcs, csavarhúzó, elektromos szonda és hálózati kábel.

Eredeti csomagolás

A kamera kicsomagolását követően őrizze meg az eredeti csomagolást utólagos visszaküldés vagy javítás esetére. A kamera visszacsomagolható eredeti csomagjába.

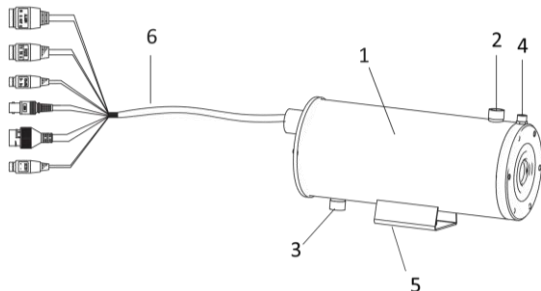
Megjegyzés:

A nem eredeti csomagolásban történő szállításból származó károkkért a felhasználó a felelős.

2 Külső megjelenés leírása

2.1 Külső megjelenés

A kamera külső megjelenése az alábbi ábrán látható.



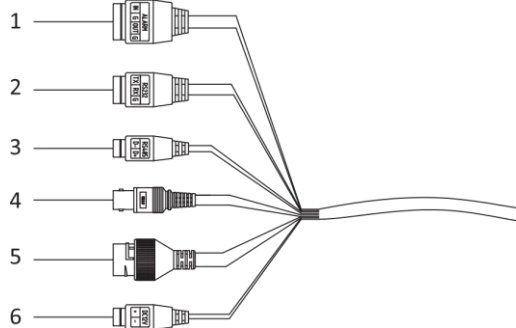
2-1 ábra Külső megjelenés

2-1 táblázat A készülék leírása

Sz.	Leírás
1	Kamera
2	G1/2 víz/levegő kimenet
3	G1/2 víz/levegő bemenet
4	G1/4 levegőbemenet
5	Rögzítőtalp
6	Kábelek

2.2 Kábeleírás

A kamera kábelcsatlakozói a 2-20 ábrán láthatók.



2-2 ábra A kamera kábele

2-2 táblázat A készülék leírása

Sz.	Leírás
1	Riasztásbemenet/-kimenet
2	RS-232 kábel
3	RS-485 kábel
4	CVBS-kábel
5	RJ45 hálózati kábel
6	Tápkábel

3 Telepítés

3.1 Huzalozás

Kérjük, a huzalozás tervezésekor vegye figyelembe a telepítési környezetet és a készülék felszerelési pozícióját. A tápforrás és a jeltovábbítás stabilitásának biztosítása érdekében kérjük, tartsa be az alábbi szabályokat:

- Huzalozás előtt ellenőrizze a telepítési környezetet, beleértve a huzalozási távolságot, a huzalozási környezetet, a mágneses mező zavarásait, stb.
- A huzal névleges feszültségének magasabbnak kell lennie az előírtnál ahhoz, hogy a készülék feszültségingadozás esetén is normálisan működhessen.
- A huzalozáshoz javasolt egyetlen kábelt használni, és ha mégsem, a huzalrészek közötti illesztéseket meg kell erősíteni, ellenkező esetben az áramkör elavulása a készülék rendellenes működését okozhatja.
- Biztosítsa a készülékkábelek megfelelő védelmét, és huzalozás közben alkalmazza a szükséges megerősítő és védelmi intézkedéseket.

- A készülék rendellenes működésének megelőzése érdekében kerülje el a kábelek és a mágneses gyűrű rongálását.
- Figyeljen arra, hogy a kábelek ne legyenek túl lazák vagy túl feszesek.
- A huzalozást bízva szakemberre. Ha a készülék nem működik normálisan, a fenti információk felhasználhatók hibaelhárításra.

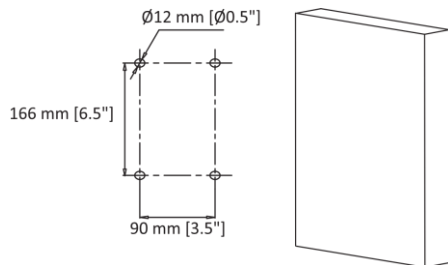
3.2 Kamera felszerelése

Mielőtt elkezdéné:

A konzol nem része a csomagnak. Kérjük, vásárolja meg külön.

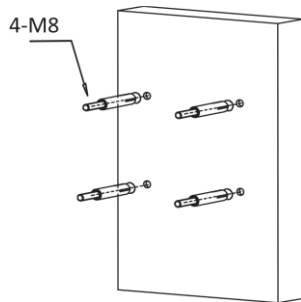
Lépések:

1. Fúrjon négy lyukat a falra a fúrósablon méretének megfelelően.



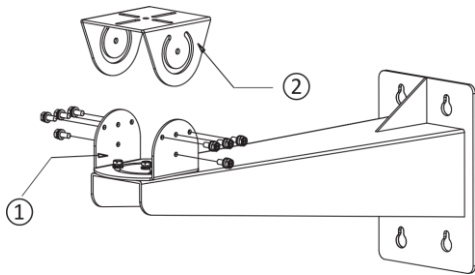
3-1 ábra Fúrja ki a lyukakat a falon

2. Csavarozzon be négy M8-as csavart a lyukakba.



3-2 ábra Csavarozza be az M8-as csavarokat.

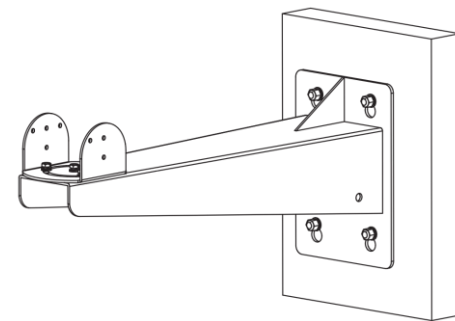
3. A pásztázó-billenő csukló szétszereléséhez lazítsa meg, majd távolítsa el a csavarokat.



3-3 ábra Szerelje szét a pásztázó-billenő csuklót

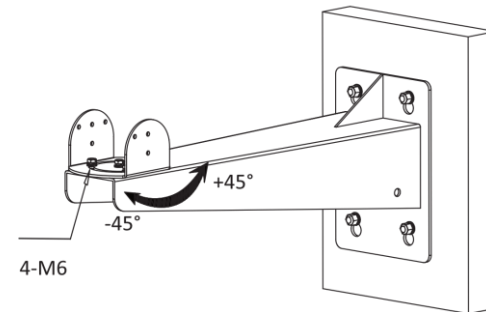
Megjegyzés: ①: A pásztázó-billenő csukló alsó része; ②: A pásztázó-billenő csukló felső része

4. Igazítsa a konzol négy lyukát a falba erősített négy M8-as csavarhoz, helyezze fel a konzolt a falra, majd húzza meg a csavarokat.



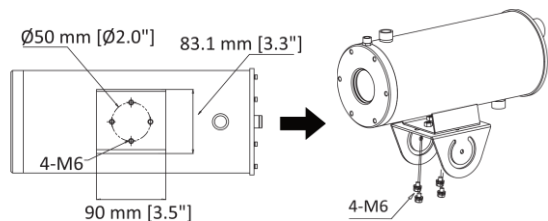
3-4 ábra Szerelje fel a konzolt

5. Lazítsa meg a négy M6-os csavart a pásztázó-billenő csukló alján a pásztázási szög beállításához, majd húzza meg a csavarokat. A pásztázási szög -45° és 45° között lehet.



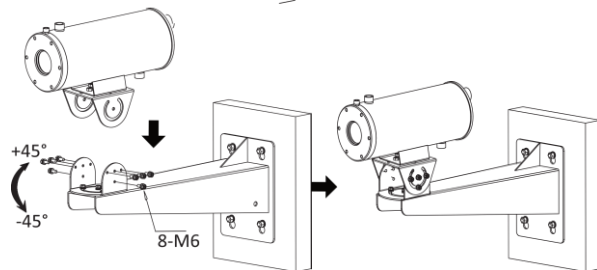
3-5 ábra Állítsa be a pásztázási szöget

6. Erősítse rá a pásztázó-billenő csukló felső részét a kamera rögzítőtalpára a négy M6-os csavarral.



3-6 ábra Rögzítse a pásztázó-billenő csukló felső részét a kamerára

7. Csavarja be a nyolc M6-os csavart, majd állítsa be a kamera billenési szögét. A beállítás után húzza meg a csavarokat. A billenési szög -45° és 45° között lehet.



3-7 ábra Állítsa be a billenési szöget

3.3 Hűtés és portalanítás felszerelése

A készülék magas környezeti hőmérsékleten történő üzemeltetése esetén a kamera hűtéséhez lég- vagy vízűtésre lesz szükség. A portalanító berendezés eltávolítja a port a kameraüvegről és lehűti a készüléket, segítve a tisztább képalkotást.

Mielőtt elkezdené:

Válasszon a készülék üzemelési környezetének megfelelő hűtési módszert.

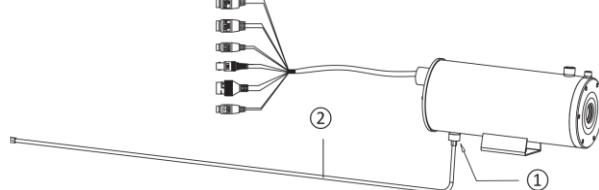
- Ha az üzemi hőmérséklet 50°C és 100°C közötti (100°C beleértve), válassza a léghűtést.
- Ha az üzemi hőmérséklet 100°C és 200°C közötti (200°C beleértve), válassza a vízűtést.

3.3.1 Léghűtés és portalanítás felszerelése

A készülék üregeinek hőmérséklete sűrített levegő befúvásával csökkenthető.

Lépések:

1. Csatlakoztassa a sűrített levegő kimenetét és az ① (G1/2 levegőbemenet) csatlakozót a készülék alján a ② (G1/2 csavarmentes cső) csővel.

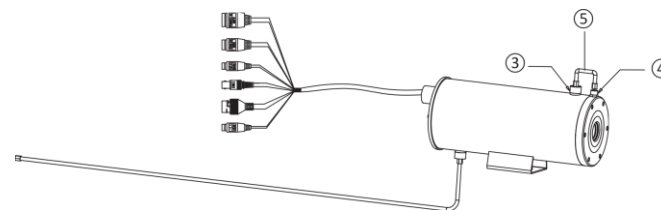


3-8 ábra Léghűtő cső csatlakoztatása

Megjegyzés:

A csomagban található csavarmentes cső hossza 1 méter. A cső a felszerelési követelményeknek megfelelő méretben vásárolható meg.

2. Csatlakoztassa a ③ (G1/2 levegőkimenet) és ④ (G1/4 levegőbemenet) pontokat az ⑤ (adapter) adapterhez. Így a sűrített levegő eltávolíthatja a port a kameraüvegről.



3-9 ábra Portalanító berendezés

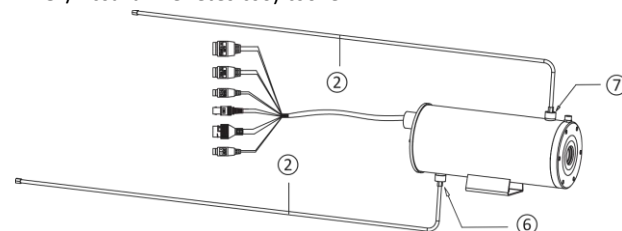
3. Vonja be a csavarmentes csövet hőszigetelő anyaggal. Aerogél vagy alumínium szilikát használata javasolt.

3.3.2 Vízűtés és portalanítás felszerelése

A készülék üregeinek hőmérséklete vízűtéssel is csökkenthető.

Lépések:

1. Csatlakoztassa a hűtővíz kimenetét a ⑥ (G1/2 vízbemenet) csatlakozót a készülék alján a ② (egy G1/2 csavarmentes cső) csővel, majd csatlakoztassa a visszatérő vízbemenetet és a ⑦ (G1/2 vízkimenet) csatlakozót a készülék tetején a ② (a másik G1/2 csavarmentes cső) csővel.

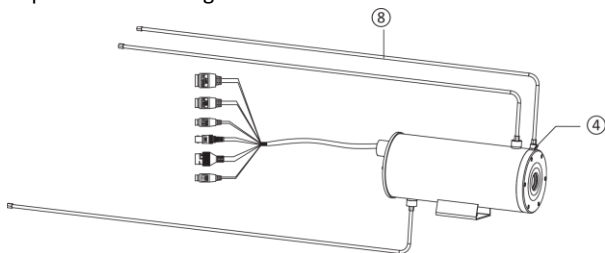


3-10 ábra Vízűtés csövének csatlakoztatása

Megjegyzés:

Bizonyosodjon meg, hogy a csövek végén megfelelően rögzítve vannak a tömítőgyűrűk, ellenkező esetben a vízállóság nem garantált.

- Csatlakoztassa a sűrített levegő kimenetét és a ④ (G1/4 levegőbemenet) csatlakozót a készülék tetején a ⑧ (G1/4 csavarmentes cső) csővel. Így a sűrített levegő eltávolíthatja a port a kameraüvegről.



3-11 ábra Portalanítás felszerelése

Megjegyzés:

A csomagban található csavarmentes cső hossza 1 méter. A cső a felszerelési követelményeknek megfelelő méretben vásárolható meg.

- Vonja be a három csavarmentes csövet hőszigetelő anyaggal. Aerogél vagy alumínium szilikát használata javasolt.

4 A hálózati kamera aktiválása és elérése

Látogassa meg a www.hikmicrotech.com weboldalt a HIKMICRO Studio alkalmazás letöltéséhez és telepítéséhez. A részletes működést a készülék használati útmutatója tartalmazza.

Jogi információk


©2022 Hangzhou Microimage Software Co., Ltd. Minden jog fenntartva.

A Kézikönyvvel kapcsolatos tudnivalók

Az útmutató a termék használatára és kezelésére vonatkozó utasításokat tartalmaz. Az itt szereplő képek, diagramok, ábrák és minden további információ csupán leírásként és magyarázatként szolgál. A Kézikönyvben szereplő információk a firmware-frissítések és egyéb okok miatt előzetes értesítés nélkül változhatnak. A kézikönyv legújabb verzióját a HIKMICRO webhelyén találja (www.hikmicrotech.com/).

Az Útmutatót a termékkel kapcsolatos támogatáshoz megfelelő képesítéssel rendelkező szakemberek támogatásával és útmutatásával együtt használja.

Védjegynyilatkozat

 HIKMICRO és az egyéb HIKMICRO védjegyek, valamint logók a HIKMICRO tulajdonát képezik különféle joghatóságokban.

Az említett egyéb védjegyek és logók a megfelelő tulajdonosok tulajdonát képezik.

Felelősségkizárás

EZT A KÉZIKÖNYVET, VALAMINT A BENNE SZEREPLŐ TERMÉKET ANNAK HARDVER-, SZOFTVER-ÖSSZETEVŐIVEL ÉS FIRMWARE-ÉVEL EGYÜTT „EREDETI FORMÁBAN” BIZTOSÍJTUK, „BELEÉRTVE AZOK ÖSSZES ESETLEGES HIBÁJÁT”. A HIKMICRO NEM VÁLLAL SEM KIFEJEZETT, SEM TÖRVÉNY ÁLTAL VÉLELMEZETT JÓTÁLLÁST TÖBBEK KÖZÖTT – DE NEM KORLÁTOZVA – A TERMÉK ÉRTÉKESÍTHETŐSÉGÉRE, MEGFELELŐ MINŐSÉGÉRE, VALAMINT ADOTT CÉLRA VALÓ ALKALMASSÁGÁRA. A TERMÉKET KIZÁRÓLAG SAJÁT FELELŐSSÉGÉRE HASZNÁLHATJA. A HIKMICRO SEMMILYEN ESETBEN SEM VÁLLAL FELELŐSÉGET ÖN FELÉ SEMMILYEN KÜLÖNLEGES, KÖVETKEZMÉNYES, JÁRULÉKOS VAGY KÖZVETETT KÁRÉRT, BELEÉRTVE TÖBBEK KÖZÖTT A TERMÉK HASZNÁLATÁVAL ÖSSZEFÜGGÉSBEN AZ ÜZLETI HASZON ELVESZTÉSÉBŐL, AZ ÜZLETMENET MEGSZAKADÁSÁBÓL, VALAMINT AZ ADATOK VAGY DOKUMENTUMOK ELVESZTÉSÉBŐL EREDŐ KÁROKAT, TÖRTÉNJEN EZ SZERZŐDÉSSZEGÉS VAGY KÁROKOZÁS (BELEÉRTVE A GONDTALANSÁGOT) EREDMÉNYEKÉNT, MÉG AKKOR SEM, HA A HIKMICRO VÁLLALATOT TÁJÉKOZTATTÁK AZ ILYEN KÁROK BEKÖVETKEZÉSÉNEK LEHETŐSÉGÉRŐL. ÖN TUDOMÁSUL VESZI, HOGY AZ INTERNET TERMÉSZETÉBŐL FAKADÓAN KOCKÁZATOKAT REJT, ÉS A HIKMICRO SEMMILYEN FELELŐSÉGET NEM VÁLLAL A RENDELLENES MŰKÖDÉSÉRT, A SZEMÉLYES ADATOK KISZIVÁRGÁSÁÉRT VAGY MÁS OLYAN KÁROKÉRT, AMELYEKET KIBERTÁMADÁSOK, HACKERTÁMADÁSOK, VÍRUSFERTŐZÉSEK VAGY MÁS INTERNETES BIZTONSÁGI VESZÉLYEK OKOZTAK; A HIKMICRO AZONBAN KÉRÉSRE IDŐBEN MŰSZAKI TÁMOGATÁST NYÚJT.

ÖN ELFOGADJA, HOGY EZT A TERMÉKET KIZÁRÓLAG A VONATKOZÓ TÖRVÉNYI ELŐÍRÁSOK BETARTÁSÁVAL HASZNÁLJA, ÉS HOGY A VONATKOZÓ TÖRVÉNYEKNEK MEGFELELŐ HASZNÁLAT KIZÁRÓLAG AZ ÖN FELELŐSSÉGE. KÜLÖNÖSKÉPPEN AZ ÖN FELELŐSSÉGE, HOGY A TERMÉK HASZNÁLATA SORÁN NE SÉRTSE HARMADIK FÉL JOGAIT, BELEÉRTVE, DE NEM KORLÁTOZVA A NYILVÁNOSSÁGRA, SZELLEMI TULAJDONRA, ADATOK VÉDELMEÉRE ÉS EGYÉB SZEMÉLYES ADATOKRA VONATKOZÓ JOGOKAT. A TERMÉKET NEM HASZNÁLHATJA TILTOTT CÉLRA, BELEÉRTVE A TÖMEGPUSZTÍTÓ FEGYVEREK FEJLESZTÉSÉT VAGY GYÁRTÁSÁT, A VEGETI VAGY BIOLÓGIAI FEGYVEREK FEJLESZTÉSÉT VAGY GYÁRTÁSÁT, VALAMINT BÁRMILYEN, ROBBANÁSVESZÉLYES VAGY NEM BIZTONSÁGOS NUKLEÁRIS HASADÓANYAG-CIKLUSSAL KAPCSOLATOS TEVÉKENYSÉGET, ILLETVE EMBERI JOGI VISSZAÉLÉSEKET TÁMOGATÓ MÓDON TÖRTÉNŐ FELHASZNÁLÁST.

HA A JELEN KÉZIKÖNYV ÉS A HATÁLYOS TÖRVÉNY KÖZÖTT ELLENTMONDÁS TAPASZTALHATÓ, AKKOR AZ UTÓBBI A MÉRVADÓ.

Szabályozással kapcsolatos információk

Ezek a cikkek kizárólag a megfelelő jelt vagy információt viselő termékekre vonatkoznak.

EU megfeleléségi nyilatkozat



Ez a termék és tartozékai (amennyiben vannak) „CE” jelöléssel vannak ellátva, ezáltal megfelelnek a következő irányelvekben foglalt harmonizált európai szabványoknak: 2014/30/EU (EMC-irányelv), 2011/65/EU (RoHS-irányelv).



2012/19/EU (WEEE-irányelv): Az ezzel a jelzéssel ellátott termékeket nem lehet szelektálatlan kommunális hulladékként elhelyezni az Európai Unióban. A megfelelő újrahasznosítás érdekében vigye vissza ezt a terméket helyi beszállítójához, amikor új, egyenértékű berendezést vásárol, vagy adja le a kijelölt gyűjtőhelyeken. További információért keresse fel az alábbi honlapot: www.recyclethis.info.



2006/66/EC (akkumulátorokról szóló irányelv): Ez a termék olyan elemet tartalmaz, amelyet nem lehet szelektálatlan kommunális hulladékként elhelyezni az Európai Unióban. A termékdokumentációban további információkat talál az elemről. Az elem ezzel a jelzéssel van ellátva. A jelzésen megtalálhatók lehetnek a kadmiumot (Cd), ólmot (Pb) vagy higanyt (Hg) jelző betűjelek. A megfelelő újrahasznosítás érdekében vigye vissza ezt a terméket a beszállítójához, vagy vigye egy kijelölt gyűjtőhelyre. További

információk: www.recyclethis.info.

Biztonsági utasítások

Ezen utasítások célja annak biztosítása, hogy a felhasználó a terméket megfelelően tudja használni veszély vagy vagyoni veszteség elkerülése érdekében.

Törvények és szabályok

- A termék használata során az ország és a régió elektromos biztonsági előírásait szigorúan be kell tartani.

Szállítás

- Szállítás alkalmával tartsa a terméket az eredeti vagy ahhoz hasonló csomagolásban.
- Minden csomagolóanyagot őrizzen meg a későbbi felhasználás érdekében. Hiba esetén az eredeti csomagolásában kell a készüléket visszaküldenie a gyártónak. Az eredeti csomagolástól eltérő csomagolás a termék sérülését okozhatja. A vállalat ez esetben nem vállal semmilyen felelősséget.
- Vigyázzon, hogy ne ejtse le és ne tegye ki ütődésnek a készüléket. Tartsa távol a készüléket a mágneses zavarforrásoktól.

Tápellátás

- Kérjük, a töltőt vásárolja meg külön. A bemeneti feszültségnek meg kell felelnie a korlátozott áramforrásokra vonatkozó előírásoknak (12 V DC, az IEC62368 szabvány szerint. A részletes információért olvassa el a műszaki adatokat.
- Ellenőrizze, hogy a tápcsatlakozó stabilan van-e csatlakoztatva a konnektorhoz.
- A hálózati aljzatot a készülék közelében kell felszerelni, könnyen hozzáférhető helyre.
- NE csatlakoztasson több készüléket egy hálózati adapterre, hogy elkerülje a túlterhelés okozta túlmelegedést vagy tűzveszélyt.
- NE érintse meg a bemeneti nyílás csupasz fém érintkezőit a megszakító kikapcsolása után. Még lehet bennük áram.
- A + a berendezés áramot fogadó vagy leadó pozitív érintkezőjét jelöli. A - a berendezés áramot fogadó vagy leadó negatív érintkezőjét jelöli.

Akkumulátor

- VIGYÁZAT: Az akkumulátor nem megfelelő típusúra cserélése robbanásveszélyt idézhet elő.
- A használt akkumulátorok hulladékkezelésekor kövesse az utasításokat.

- Az akkumulátor nem megfelelő típussal történő helyettesítése hatástalanná teheti egy biztonsági berendezést (például bizonyos típusú lítiumion-akkumulátorok esetében).
- Tilos az akkumulátort tűzbe vagy forró sütőbe tenni, illetve az akkumulátort összezsúzni vagy felválni, mert ez robbanást okozhat.
- Tilos az akkumulátort rendkívül magas környezeti hőmérsékletnek kitenni, mert ez robbanást, illetve gyúlékony folyadék vagy gáz szivárgását idézheti elő.
- Tilos az akkumulátort rendkívül alacsony légnyomásnak kitenni, mert ez robbanást, illetve gyúlékony folyadék vagy gáz szivárgását okozhatja.

Telepítés

- Soha ne helyezze a berendezést instabil helyre. A berendezés leeshet, ami súlyos vagy akár halálos sérülést okozhat.
- Ez a készülék kizárólag a megfelelő rögzítőelemekkel használható. Az ettől eltérő eszközökkel (kocsi, állvány, vagy tartó) történő használat instabil rögzítést, és emiatt sérülésveszélyt okozhat.

Rendszerbiztonság

- Ön elfogadja, hogy az Internet természeténél fogva biztonsági kockázatokat rejt, és vállalatunk nem vállal felelősséget a rendellenes működésért, az adatszivárgásért vagy más olyan károkért, amelyek kibertámadásból, hackertámadásból erednek; vállalatunk azonban szükség esetén időben műszaki támogatást nyújt.
- Tekintve, hogy a készülék az internetre csatlakozva hálózati biztonsági kockázatoknak lehet kitéve, gondoskodjon a személyes adatok védelméről és az adatbiztonságról. Ha a készülék hálózati biztonsági kockázatnak lehet kitéve, forduljon hozzánk.
- Ne feledje, hogy az Ön felelőssége az eszközhez kapcsolódó összes jelszó és egyéb biztonsági beállítás megadása, valamint felhasználónevének és jelszavának biztonságos megőrzése.

Karbantartás

- Ha a termék nem működik megfelelően, forduljon a kereskedőjéhez vagy a legközelebbi szervizközpontozhoz. Nem vállalunk felelősséget az illetéktelen javításból vagy karbantartásból eredő károkért.
- A készülék néhány alkatrésze (pl. elektrolit kondenzátor) rendszeres cserét igényel. Ezek átlagos élettartama változó, ezért rendszeres ellenőrzés ajánlott. Részletekért forduljon a forgalmazóhoz.
- Törölje le a készüléket egy tiszta ruhával és kis mennyiségű etanollal, ha szükséges.
- Ha a készüléket nem a gyártó által meghatározott módon használja, a védelem szintje csökkenhet.

- A tűzveszély csökkentése érdekében csak azonos típusú és névleges értékű cserebiztosítót használjon.
- A készülék soros portja kizárólag hibakeresésre szolgál.

Használati környezet

- Győződjön meg arról, hogy a használati környezet megfelel a készülék előírásainak. A megfelelő üzemelési hőmérséklet-tartomány 0°C és 200°C (32°F - 392°F) közötti, a telepítési rendszer függvényében, az üzemelési páratartalom pedig legfeljebb 95% lehet.
- A készüléket száraz és jól szellőző környezetben tárolja.
- NE TEGYE ki a készüléket erős elektromágneses sugárzásnak vagy poros környezetnek.
- NE IRÁNYÍTSA az objektívet a Nap vagy más erős fényforrás irányába.
- A készüléket védeni kell csöpögő vagy fröccsenő víz és folyadékok ellen. Ne helyezzen vizet tartalmazó edényt, tárgyat, pl. vázát a tetejére.
- Tilos a készüléken nyílt lángforrást, pl. gyertyát elhelyezni.
- Speciális elhelyezés (pl. hegytető, vastorony, erdő) esetén a berendezés bemeneti nyílásánál alkalmazzon túláramvédőt.
- A szimbólummal ellátott alkatrészek megérintése esetén az ujjak égési sérülésének veszélye áll fenn ⚠. Ezeknek a részeknek a megérintése előtt várjon fél órát a készülék kikapcsolását követően.

Vészhelyzet

- Ha a készülék füstöt, furcsa szagot vagy zajt bocsát ki, azonnal kapcsolja ki, húzza ki a tápkábelt, majd forduljon a szervizközpontozhoz.

MEGFELELŐSÉGI MEGJEGYZÉS: A termográfiasorozat termékeire exportszabályozás vonatkozhat különböző régiókban és országokban, pl. az Egyesült Államokban, az Európai Unióban, az Egyesült Királyságban és/vagy a wassenaari egyezmény más tagországaiban. Ha a termográfiasorozat termékeit különböző országok közt szeretné szállítani, exportálni vagy újraexportálni, tájékozódjon a szükséges exportengedélyekről és követelményekről egy jogi vagy megfelelőségi szakértőnél, vagy a helyi hatóságoknál.

Polski

1 Czynności przygotowawcze

Podstawowe wymagania

- Wszelkie prace związane z podzespołami elektronicznymi należy wykonywać zgodnie z przepisami BHP dotyczącymi między innymi instalacji elektrycznych i ochrony przeciwpożarowej, obowiązującymi w danym regionie.
- Należy upewnić się, że urządzenie w pakiecie nie jest uszkodzone i dostarczono wszystkie części montażowe.
- Systemu należy używać zgodnie z wymaganiami dotyczącymi otoczenia.

Sprawdzanie środowiska instalacji

- Należy upewnić się, że dostępne jest wolne miejsce wymagane do instalacji kamery i akcesoriów.
- Ściana powinna być przystosowana do obciążenia co najmniej ośmiokrotnie większego niż ciężar kamery z uchwytem.

Przygotowanie przewodów

- Zależnie od przepustowości sieci wymagane są przewody Cat5 (maks. 100 m) lub Cat6 (ponad 100 m).
- Jeżeli kamera jest zasilana przy użyciu standardowego zasilacza 12 V DC, wymagany jest przewód zasilający o grubości co najmniej 18 AWG (American Wire Gauge). Maksymalny zasięg transmisji L wyrażony w metrach jest obliczany zgodnie z formułą $L = 50 * S$, gdzie S jest powierzchnią przekroju metalowego rdzenia przewodu wyrażoną w mm^2 .
- Należy wybrać przewód zgodnie z wymaganym zasięgiem transmisji. Przewody dla sygnału wideo powinny spełniać co najmniej następujące wymagania: rezystancja 75 Ω , rdzeń przewodzący wykonany w 100% z miedzi, opłot ekranujący wykonany w 95% z miedzi.

Przygotowanie narzędzi

Przed instalacją należy przygotować niezbędne narzędzia, takie jak wkręty w kołkach rozporowych, młotek

elektryczny, wiertarka elektryczna, klucz maszynowy, wkrętak, próbówka elektryczna i przewód sieciowy.

Oryginalne opakowanie

Po rozpakowaniu kamery należy zachować oryginalne opakowanie w celu wykorzystania w przypadku zwrotu lub naprawy kamery. Opakowanie kamery jest przystosowane do wielokrotnego użytku.

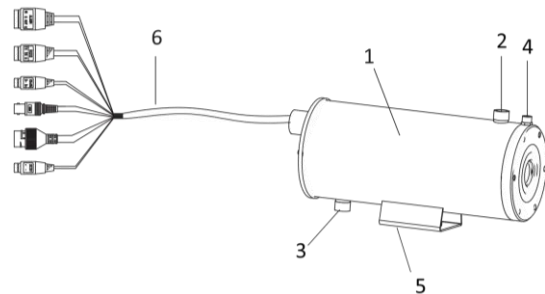
Uwaga:

Użytkownik ponosi odpowiedzialność za uszkodzenia kamery podczas transportu w opakowaniu innym niż jej oryginalne opakowanie.

2 Opis urządzenia

2.1 Elementy urządzenia

Na poniższym rysunku przedstawiono wygląd kamery.



Rysunek 2-1 Elementy urządzenia

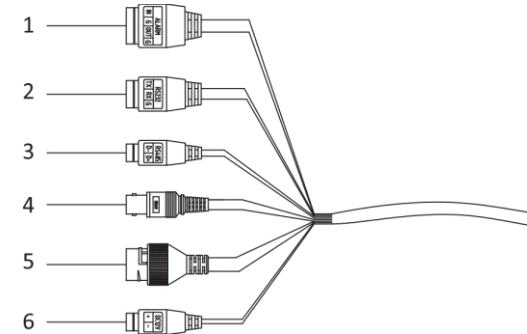
Tabela 2-1 Elementy urządzenia

Nr	Opis
----	------

1	Kamera
2	Wylot wody/powietrza G1/2
3	Wlot wody/powietrza G1/2
4	Wlot powietrza G1/4
5	Podstawa montażowa
6	Przewody

2.2 Przewody

Na rysunku 2-20 przedstawiono wtyki przewodu kamery.



Rysunek 2-2 Przewód kamery

Tabela 2-2 Elementy urządzenia

Nr	Opis
1	Wejście/wyjście alarmowe

2	Przewód RS-232
3	Przewód RS-485
4	Przewód CVBS
5	Przewód sieciowy RJ45
6	Przewód zasilający

3 Instalacja

3.1 Okablowanie

Podczas planowania okablowania należy uwzględnić otoczenie miejsca instalacji i lokalizację urządzenia. Aby zapewnić stabilne zasilanie i transmisję sygnału, należy uwzględnić następujące zalecenia:

- Przed wykonaniem okablowania zweryfikuj specyfikację otoczenia miejsca instalacji, takie jak długość i rozmieszczenie przewodów lub zakłócenia elektromagnetyczne.
- Użyj przewodu o napięciu znamionowym wyższym niż napięcie wymagane przez urządzenie, aby zapewnić prawidłowe funkcjonowanie urządzenia nawet w przypadku fluktuacji napięcia.
- Zalecane jest użycie ciągłych przewodów. Jeżeli nie jest to możliwe, należy wzmocnić połączenia odcinków przewodów, aby zapobiec usterkom urządzenia wynikającym ze zużycia przewodów.
- Zabezpiecz przewody urządzenia i zastosuj odpowiednie środki w celu wzmocnienia i ochrony instalacji podczas wykonywania okablowania.
- Chroń przewody przed nadmiernymi naprężeniami, a pierścien magnetyczny przed uszkodzeniem, aby zapobiec nieprawidłowemu funkcjonowaniu urządzenia.

- Upewnij się, że przewody nie są nadmiernie poluzowane lub naprężone.
- Okablowanie powinno być wykonane przez dyplomowanych techników. W przypadku nieprawidłowego funkcjonowania urządzenia można wykorzystać powyższe informacje do usuwania usterek.

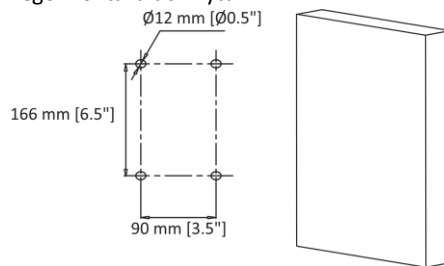
3.2 Instalacja kamery

Zanim rozpoczniesz:

Uchwyt nie jest uwzględniony w pakiecie z produktem. Należy zakupić ten element wyposażenia oddzielnie.

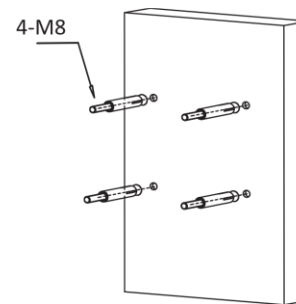
Procedura:

1. Wywierć cztery otwory w ścianie zgodnie z szablonem ściennego montażu uchwytu.



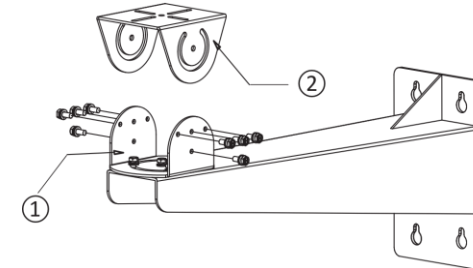
Rysunek 3-1 Wiercenie otworów w ścianie

2. Wkręć cztery wkręty M8 w otwory.



Rysunek 3-2 Wkręcanie wkrętów M8 w otwory

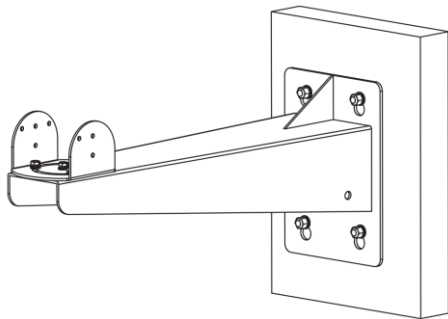
3. Poluzuj i usuń śruby, aby zdemontować złącze uchylne.



Rysunek 3-3 Demontaż złącza uchylnego

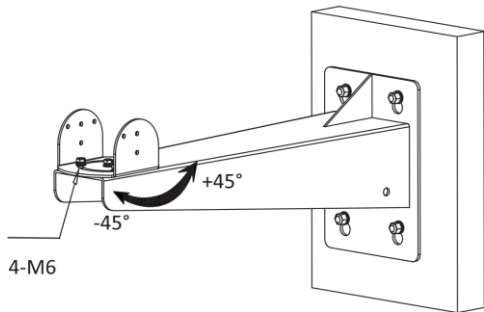
Uwaga: ①: dolna część złącza uchylnego, ②: górna część złącza uchylnego

4. Ustaw cztery otwory w uchwycie zgodnie z czterema śrubami M8 w ścianie, zamocuj uchwyt na ścianie i dokręć śruby.



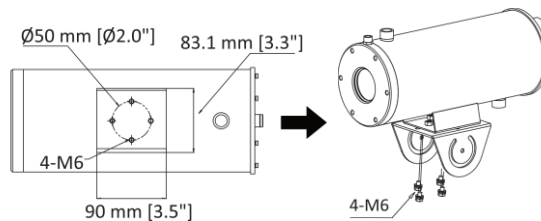
Rysunek 3-4 Mocowanie uchwyty

5. Poluzuj cztery śruby M6 w dolnej części złącza uchylnego, aby dostosować kąt obrotu, i dokręć śruby po zakończeniu regulacji. Kąt obrotu można regulować w zakresie od -45° do $+45^\circ$.



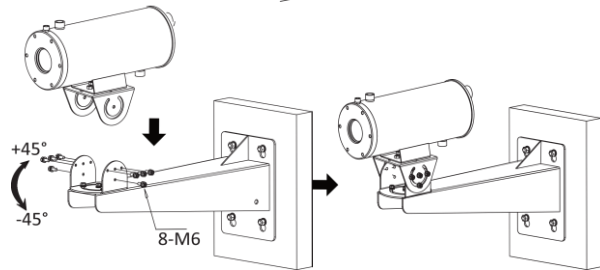
Rysunek 3-5 Regulacja kąta obrotu

6. Przymocuj górną część uchwyty uchylnego do podstawy montażowej kamery czterema śrubami M6.



Rysunek 3-6 Mocowanie górnej części uchwyty uchylnego do kamery

7. Wkręć osiem śrub M6 i wyreguluj kąt pochylenia kamery. Dokręć śruby po zakończeniu regulacji. Kąt pochylenia można regulować w zakresie od -45° do $+45^\circ$.



Rysunek 3-7 Regulacja kąta pochylenia

3.3 Chłodzenie i usuwanie pyłu z instalacji

Jeżeli temperatura otoczenia kamery termowizyjnej jest wysoka, należy zapewnić chłodzenie kamery powietrzem lub wodą. Mechanizm usuwający pył z okna urządzenia i chłodzący urządzenie umożliwia uzyskanie bardziej wyraźnego obrazu.

Zanim rozpocznie:

Należy wybrać odpowiednią metodę chłodzenia zależnie od środowiska roboczego urządzenia.

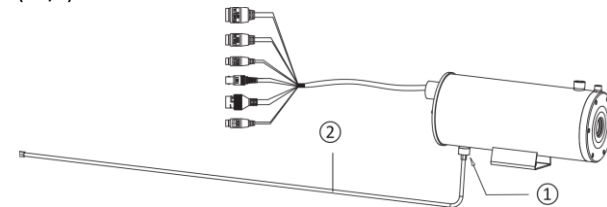
- Jeżeli temperatura robocza należy do zakresu od 50°C do 100°C włącznie, należy zastosować chłodzenie powietrzem.
- Jeżeli temperatura robocza należy do zakresu od 100°C do 200°C włącznie, należy zastosować chłodzenie wodą.

3.3.1 Chłodzenie powietrzem i usuwanie pyłu z instalacji

Doprowadzenie sprężonego powietrza umożliwia obniżenie temperatury w obudowie urządzenia.

Procedura:

1. Połącz źródło sprężonego powietrza do wlotu powietrza ① (G1/2) na podstawie urządzenia przewodem gwintowanym ② (G1/2).

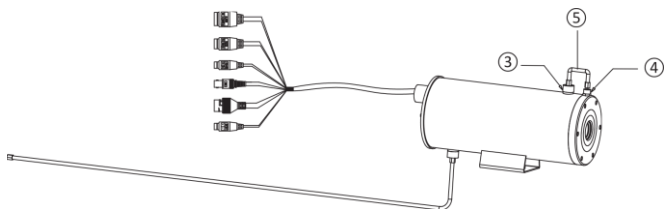


Rysunek 3-8 Podłączenie przewodu doprowadzającego powietrze chłodzące

Uwaga:

W pakiecie z urządzeniem dostarczany jest przewód gwintowany o długości 1 metra, ale można zakupić przewód o długości wymaganej dla danej instalacji.

2. Połącz wylot powietrza ③ (G1/2) z wlotem powietrza ④ (G1/4) adapterem ⑤, aby umożliwić usuwanie pyłu z okna urządzenia sprężonym powietrzem.



Rysunek 3-9 Usuwanie pyłu z instalacji

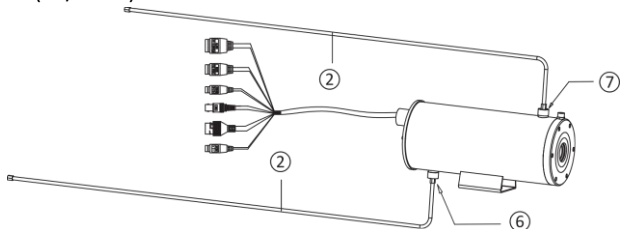
- Owiń przewód gwintowany izolacją termiczną. Zalecane jest użycie aerożelu i krzemianu aluminium.

3.3.2 Chłodzenie wodą i usuwanie pyłu z instalacji

Doprowadzenie wody chłodzącej umożliwia obniżenie temperatury w obudowie urządzenia.

Procedura:

- Połącz źródło wody chłodzącej z wlotem wody ⑥ (G1/2) na podstawie urządzenia przewodem gwintowanym ② (G1/2 nr 1) i połącz odpływ wody z wylotem wody ⑦ (G1/2) w górnej części urządzenia przewodem gwintowanym ② (G1/2 nr 2).

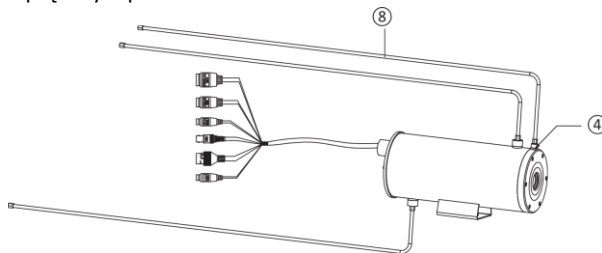


Rysunek 3-10 Podłączanie przewodu doprowadzającego wodę chłodzącą

Uwaga:

Należy upewnić się, że uszczelki na zakończeniach przewodów są prawidłowo zamocowane, aby zapewnić szczelność instalacji.

- Połącz źródło sprężonego powietrza z wlotem powietrza ④ (G1/4) w górnej części urządzenia przewodem gwintowanym ⑧ (G1/4), aby umożliwić usuwanie pyłu z okna urządzenia sprężonym powietrzem.



Rysunek 3-11 Usuwanie pyłu z instalacji

Uwaga:

W pakiecie z urządzeniem dostarczany jest przewód gwintowany o długości 1 metra, ale można zakupić przewód o długości wymaganej dla danej instalacji.

- Owiń trzy przewody gwintowane izolacją termiczną. Zalecane jest użycie aerożelu i krzemianu aluminium.

4 Aktywacja i dostęp do kamery sieciowej

Aby pobrać aplikację HIKMICRO Studio i zainstalować ją, skorzystaj z witryny internetowej www.hikmicrotech.com.

Aby uzyskać więcej informacji dotyczących obsługi urządzenia, skorzystaj z podręcznika użytkownika.


Informacje prawne

© 2022 Hangzhou Microimage Software Co., Ltd. Wszelkie prawa zastrzeżone.

Opis podręcznika

Podręcznik zawiera instrukcje dotyczące korzystania z produktu i obchodzenia się z nim. Zdjęcia, rysunki, wykresy i pozostałe informacje zamieszczone w tym dokumencie wyłącznie dla celów informacyjnych i opisowych. Informacje zamieszczone w podręczniku mogą ulec zmianie bez powiadomienia w związku z aktualizacjami oprogramowania układowego lub w innych okolicznościach. Najnowsza wersja tego podręcznika jest dostępna w witrynie internetowej firmy HIKMICRO (www.hikmicrotech.com). Oprócz tego podręcznika należy korzystać z porad specjalistów z działu pomocy technicznej związanej z produktem.

Znaki towarowe

 i inne znaki towarowe oraz logo HIKMICRO są własnością firmy HIKMICRO w różnych jurysdykcjach. Inne znaki towarowe i logo użyte w podręczniku należą do odpowiednich właścicieli.

Zastrzeżenia prawne

W PEŁNYM ZAKRESIE DOZWOLONYM PRZEZ OBOWIĄZUJĄCE PRAWO TEN PODRĘCZNIK, OPISANY PRODUKT I ZWIĄZANE Z NIM WYPOSAŻENIE ORAZ OPROGRAMOWANIE APLIKACYJNE I UKŁADOWE SĄ UDOSTĘPNIANE BEZ GWARANCJI. FIRMA HIKMICRO NIE UDZIELA ŻADNYCH WYRAŹNYCH ANI DOROZUMIANYCH GWARANCJI, TAKICH JAK GWARANCJE DOTYCZĄCE PRZYDATNOŚCI HANDLOWEJ, JAKOŚCI LUB PRZYDATNOŚCI DO OKREŚLONEGO CELU. UŻYTKOWNIK KORZYSTA Z PRODUKTU NA WŁASNE RYZYKO. NIEZALEŻNIE OD OKOLICZNOŚCI FIRMA HIKMICRO NIE PONOSI ODPOWIEDZIALNOŚCI ZA STRATY SPECJALNE, NASTĘPCZE, UBOCZNE LUB POŚREDNIE, TAKIE JAK STRATA OCZEKIWANYCH ZYSKÓW Z DZIAŁALNOŚCI BIZNESOWEJ, PRZERWY W DZIAŁALNOŚCI BIZNESOWEJ, USZKODZENIE SYSTEMÓW ALBO STRATA DANYCH LUB DOKUMENTACJI, WYNIKAJĄCE Z NARUSZENIA UMOWY, PRZEWINIENIA (ŁĄCZNIE Z ZANIEDBANIEM), ODPOWIEDZIALNOŚCI ZA PRODUKT LUB INNYCH OKOLICZNOŚCI, ZWIĄZANE Z UŻYCIEM TEGO PRODUKTU, NAWET JEŻELI FIRMA HIKMICRO ZOSTAŁA

POINFORMOWANA O MOŻLIWOŚCI WYSTĄPIENIA TAKICH SZKÓD LUB STRAT.

UŻYTKOWNIK PRZYJMUJE DO WIADOMOŚCI, ŻE KORZYSTANIE Z INTERNETU JEST ZWIĄZANE Z ZAGROŻENIAMI DLA BEZPIECZEŃSTWA, A FIRMA HIKMICRO NIE PONOSI ODPOWIEDZIALNOŚCI ZA NIEPRAWIDŁOWE FUNKCJONOWANIE, WYCIEK POUFNYCH INFORMACJI LUB INNE SZKODY WYNIKAJĄCE Z ATAKU CYBERNETYCZNEGO, ATAKU HAKERA, DZIAŁANIA WIRUSÓW LUB INNYCH ZAGROŻEŃ DLA BEZPIECZEŃSTWA W INTERNECIE. FIRMA HIKMICRO ZAPEWNI JEDNAK TERMINOWĄ POMOC TECHNICZNĄ, JEŻELI BĘDZIE TO WYMAGANE.

UŻYTKOWNIK ZOBOWIĄZUJE SIĘ DO KORZYSTANIA Z PRODUKTU ZGODNIE Z PRZEPISAMI I PRZYJMUJE DO WIADOMOŚCI, ŻE JEST ZOBOWIĄZANY DO ZAPEWNIENIA ZGODNOŚCI UŻYCIA PRODUKTU Z PRZEPISAMI. W SZCZEGÓLNOŚCI UŻYTKOWNIK JEST ZOBOWIĄZANY DO KORZYSTANIA Z PRODUKTU W SPOSÓB, KTÓRY NIE NARUSZA PRAW STRON TRZECICH, DOTYCZĄCYCH NA PRZYKŁAD WIZERUNKU KOMERCYJNEGO, WŁASNOŚCI INTELEKTUALNEJ LUB OCHRONY DANYCH I PRYWATNOŚCI. UŻYTKOWNIK NIE BĘDZIE UŻYWAĆ PRODUKTU DO CELÓW ZABRONIONYCH, TAKICH JAK OPRACOWANIE LUB PRODUKCJA BRONI MASOWEGO RAŻENIA ALBO BRONI CHEMICZNEJ LUB BIOLOGICZNEJ ORAZ DZIAŁANIA ZWIĄZANE Z WYBUCHOWYMI MATERIAŁAMI NUKLEARNYMI, NIEBEZPIECZNYM CYKLEM PALIWOWYM LUB ŁAMANIEM PRAW CZŁOWIEKA.

W PRZYPADKU NIEZGODNOŚCI NINIEJSZEGO PODRĘCZNIKA Z OBOWIĄZUJĄCYM PRAWEM, WYŻSZY PRIORYTET BĘDZIE MIAŁO OBOWIĄZUJĄCE PRAWO.

Informacje dotyczące przepisów

Te klauzule dotyczą tylko produktów z odpowiednimi oznaczeniami lub etykietami.

Deklaracja zgodności z dyrektywami Unii Europejskiej



Ten produkt i ewentualnie dostarczone razem z nim akcesoria oznaczone symbolem „CE” potwierdzającym zgodność z odpowiednimi ujednoliconymi normami europejskimi, uwzględnionymi w dyrektywie 2014/30/EU

dotyczącej kompatybilności elektromagnetycznej (EMC) i dyrektywie 2011/65/EU w sprawie ograniczenia stosowania niektórych niebezpiecznych substancji w sprzęcie elektrycznym i elektronicznym (RoHS).

2012/19/EU w sprawie zużytego sprzętu elektrycznego i elektronicznego (WEEE): Produktów oznaczonych tym symbolem nie wolno utylizować



na obszarze Unii Europejskiej jako niesegregowane odpady komunalne. Aby zapewnić prawidłowy recykling tego produktu, należy zwrócić go do lokalnego dostawcy przy zakupie równoważnego nowego urządzenia lub utylizować go w wyznaczonym punkcie selektywnej zbiórki odpadów. Aby uzyskać więcej informacji, skorzystaj z witryny internetowej www.recyclethis.info.
Dyrektywa 2006/66/EC w sprawie baterii i akumulatorów: Ten produkt zawiera baterię, której nie wolno utylizować na obszarze Unii Europejskiej jako niesegregowane odpady komunalne. Szczegółowe informacje dotyczące baterii zamieszczono w dokumentacji produktu. Bateria jest oznaczona tym symbolem, który może także zawierać litery wskazujące na zawartość kadmu (Cd), ołowiu (Pb) lub rtęci (Hg). Aby zapewnić prawidłowy recykling baterii, należy zwrócić ją do dostawcy lub przekazać do wyznaczonego punktu zbiórki. Aby uzyskać więcej informacji, skorzystaj z następującej witryny internetowej: www.recyclethis.info.

Zalecenia dotyczące bezpieczeństwa

Te zalecenia pozwalają prawidłowo korzystać z produktu i zapobiec zagrożeniu użytkowników lub zniszczeniu wyposażenia.

Przepisy i rozporządzenia

- Produkt powinien być użytkowany zgodnie z rozporządzeniami dotyczącymi bezpiecznego korzystania z urządzeń elektrycznych, obowiązującymi w danym kraju lub regionie.

Transport

- Podczas transportu urządzenie powinno być umieszczone w oryginalnym lub podobnym opakowaniu.
- Należy zachować opakowanie urządzenia. W przypadku wystąpienia usterki urządzenia należy zwrócić je do zakładu produkcyjnego w oryginalnym opakowaniu. Producent nie ponosi odpowiedzialności za uszkodzenie urządzenia na skutek transportu bez oryginalnego opakowania.
- Należy chronić urządzenie przed upadkiem lub uderzeniami mechanicznymi. Należy chronić urządzenie przed zakłóceniami magnetycznymi.

Zasilanie

- Ładowarkę należy zakupić oddzielnie. Napięcie wejściowe powinno spełniać wymagania dotyczące źródeł zasilania z własnym

ograniczeniem (LPS; 12 V DC) zgodnie z normą IEC62368. Szczegółowe informacje zamieszczono w sekcji zawierającej dane techniczne.

- Należy upewnić się, że wtyczka jest prawidłowo podłączona do gniazda sieci elektrycznej.
- Gniazdo sieci elektrycznej powinno być zainstalowane w łatwo dostępnym miejscu w pobliżu urządzenia.
- NIE wolno podłączać wielu urządzeń do jednego zasilacza, ponieważ może to spowodować przegrzanie lub zagrożenie pożarowe na skutek przeciążenia.
- NIE wolno dotykać nieosłoniętych metalowych styków złączy wejściowych po uaktywnieniu wyłącznika automatycznego. W takiej sytuacji elementy urządzenia są wciąż pod napięciem.
- Symbol „+” oznacza dodatnie styki prądu stałego w urządzeniu. Symbol „-” oznacza ujemne styki prądu stałego w urządzeniu.

Bateria

- PRZESTROGA: Zainstalowanie nieodpowiedniej baterii może spowodować wybuch.
- Zużyte baterie należy utylizować zgodnie z instrukcjami.
- Zainstalowanie nieodpowiedniej baterii może spowodować zagrożenie (dotyczy to na przykład niektórych baterii litowych).
- Wrzucenie baterii do ognia lub rozgrzanego pieca albo zgniecenie lub przecięcie baterii może spowodować wybuch.
- Wysoka temperatura w otoczeniu może spowodować wybuch baterii albo wyciek palnej cieczy lub gazu.
- Ekstremalnie niskie ciśnienie powietrza w otoczeniu może spowodować wybuch baterii albo wyciek palnej cieczy lub gazu.

Instalacja

- Nie wolno instalować urządzenia na niestabilnym podłożu. Urządzenie może upaść i spowodować poważne zranienie lub zgon.
- To urządzenie powinno być używane wyłącznie z odpowiednimi uchwytami. Użycie innych uchwytów (wózków lub statywów) może spowodować zranienie na skutek niestabilności urządzenia.

Zabezpieczenia systemu

- Użytkownik przyjmuje do wiadomości, że korzystanie z Internetu jest związane z zagrożeniami dla bezpieczeństwa, a nasza firma nie ponosi odpowiedzialności za nieprawidłowe funkcjonowanie, nieautoryzowane ujawnienie poufnych informacji lub inne szkody wynikające z ataku cybernetycznego lub ataku hakera. Nasza firma zapewni jednak terminową pomoc techniczną, jeżeli będzie to wymagane.

- Należy chronić dane osobowe po połączeniu urządzenia z Internetem. Jeżeli występują zagrożenia urządzenia w sieci, należy skontaktować się z producentem.
- Użytkownik jest zobowiązany do skonfigurowania wszystkich haseł i ustawień zabezpieczeń urządzenia oraz ochrony własnej nazwy użytkownika i hasła.


Konserwacja

- Jeżeli produkt nie działa prawidłowo, skontaktuj się z dystrybutorem lub najbliższym centrum serwisowym. Producent nie ponosi odpowiedzialności za problemy spowodowane przez nieautoryzowane prace naprawcze lub konserwacyjne.
- Konieczna jest regularna wymiana kilku podzespołów urządzenia (np. kondensatora elektrolitycznego). Przeciętny okres użytkowania może być różny, dlatego zalecane jest regularne sprawdzanie stanu technicznego podzespołów. Aby uzyskać więcej informacji, należy skontaktować się z dystrybutorem.
- Należy przetrzeć urządzenie ostrożnie czystą ściereczką zwilżoną niewielką ilością etanolu, jeżeli jest to konieczne.
- Użycie urządzenia niezgodnie z zaleceniami może spowodować anulowanie gwarancji producenta.
- Aby ograniczyć zagrożenie pożarowe, należy używać bezpieczników tego samego typu i o takich samych parametrach znamionowych.
- Złącze szeregowe urządzenia jest używane wyłącznie do debugowania.

Warunki otoczenia

- Należy upewnić się, że warunki otoczenia spełniają wymagania określone przez producenta urządzenia. Podczas użytkowania urządzenia temperatura otoczenia powinna wynosić od 0°C do 200°C (zależnie od systemu instalacji), a wilgotność nie powinna przekraczać 95%.
- Urządzenie należy umieścić w suchym i odpowiednio wentylowanym miejscu.
- Należy chronić urządzenie przed silnym promieniowaniem elektromagnetycznym oraz kurzem i pyłem.
- NIE wolno kierować obiektywu w stronę słońca ani innego źródła intensywnej światła.
- Nie wolno dopuścić do rozlania cieczy na urządzeniu. Nie wolno ustawiać na urządzeniu naczyń napełnionych cieczą, takich jak wazony.
- Nie wolno umieszczać na urządzeniu źródeł nieosłoniętego płomienia, takich jak zapalone świece.
- Należy zapewnić tłumienie uderzeń elektrycznych przy otwarciu

urządzenia w specjalnych warunkach takich jak szczyt wzgórza, wieża z elementów stalowych lub las.

- Dotknięcie gorących podzespołów, oznaczonych symbolem , może spowodować oparzenie palców. Po wyłączeniu zasilania należy odczekać pół godziny przed dotknięciem podzespołów urządzenia.

Poważne awarie

- Jeżeli urządzenie wydziela dym lub intensywny zapach albo emituje hałas, należy niezwłocznie wyłączyć zasilanie i odłączyć przewód zasilający, a następnie skontaktować się z centrum serwisowym.

UWAGA DOTYCZĄCA ZGODNOŚCI Z PRZEPISAMI: Produkty termowizyjne mogą podlegać kontroli eksportu w różnych krajach lub regionach, takich jak Stany Zjednoczone, Wielka Brytania lub kraje członkowskie Unii Europejskiej, które sygnowały porozumienie Wassenaar. Jeżeli planowane jest przesyłanie, eksportowanie lub reeksportowanie produktów termowizyjnych przez granice państw, należy skonsultować się z ekspertem w dziedzinie prawa lub zgodności z przepisami albo lokalnymi urzędami administracji państwowej, aby uzyskać informacje dotyczące wymaganej licencji eksportowej.

Română

1 Pregătire

Cerințe de bază

- Toate operațiunile electronice trebuie să respecte cu strictete normele de siguranță electrică, regulamentele de prevenire a incendiilor și alte regulamente conexe din regiunea dvs. locală.
- Verificați conținutul pachetului și asigurați-vă că dispozitivul din pachet este în stare bună și că sunt incluse toate piesele pentru asamblare.
- Utilizați sistemul conform cerințelor mediului de lucru.

Verificarea mediului de instalare

- Asigurați-vă că există suficient spațiu de instalare a camerei și a accesoriilor.
- Asigurați-vă că peretele este suficient de puternic pentru a rezista de cel puțin 8 ori greutatea camerei și a suportului.

Pregătirea cablurilor

- În funcție de lățimea de bandă reală a rețelei, este necesar un cablu de Cat5 (100 m) sau de Cat6 (100 m sau mai mult).
- Când camera utilizează o sursă de alimentare standard de 12 V c.c., cablul de alimentare trebuie să aibă un calibrul american de 18 sau mai mare. Formula secțiunii transversale S (mm²) și distanța maximă de transmisie L (m) a firului gol este L=50*S.
- Alegeți cablul video în funcție de lungimea de transmisie. Cablul video trebuie să îndeplinească cel puțin aceste cerințe: rezistență 75 Ω; fir conductor cu 100% miez de cupru; 95% scut de cupru țesut.

Pregătirea sculelor

Înainte de instalare, pregătiți sculele necesare, cum ar fi șuruburile de expansiune, ciocanul electric, burghiul electric, cheia, șurubelnița, electrosonda și cablul de rețea.

Ambalaj original

După dezambalarea camerei, păstrați pachetul original în mod corespunzător, în cazul în care veți avea nevoie de returnarea sau repararea camerei. Puteți împacheta camera cu acest ambalaj.

Notă:

Utilizatorul va fi responsabil pentru orice daune cauzate în cazul transportului cu ambalaj neoriginal.

2 Descrierea aspectului

2.1 Aspect

Consultați figura următoare pentru aspectul camerei.

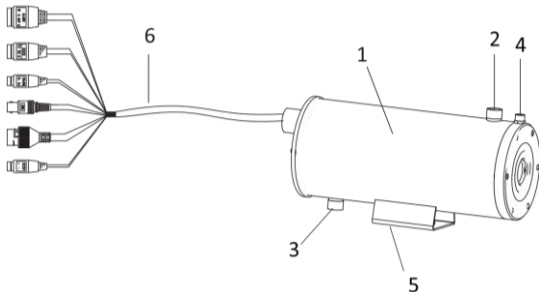


Figura 2-1 Aspect

Tabelul 2-1 Descrierea dispozitivului

Nr.	Descriere
1	Cameră
2	G1/2 Ieșire apă/aer
3	G1/2 Intrare apă/aer
4	G1/4 Intrare aer
5	Bază de montare
6	Cabluri

2.2 Descrierea cablurilor

Interfețele de cablu ale camerei sunt prezentate în Figura 2-20.

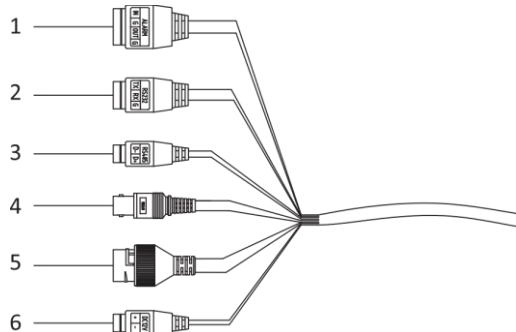


Figura 2-2 Cablurile camerei

Tabelul 2-2 Descrierea dispozitivului

Nr.	Descriere
1	Intrare/ieșire alarmă
2	Cablul RS-232
3	Cablul RS-485
4	Cablul CVBS
5	Cablul de rețea RJ45
6	Cablul de alimentare

3 Instalare

3.1 Cablaj

Vă rugăm să luați în considerare pe deplin mediul de instalare și poziția dispozitivului atunci când planificați cablarea. Pentru a vă asigura că sursa de alimentare și transmisia semnalului sunt stabile, urmați cu atenție regulile de mai jos:

- Confirmați mediul de instalare înainte de cablare, inclusiv distanța cablajului, mediul cablajului, interferența câmpului magnetic etc.
- Tensiunea nominală a firului ar trebui să fie mai mare decât cea cerută de dispozitiv, astfel încât dispozitivul să poată funcționa normal dacă apare instabilitatea tensiunii.
- Se recomandă utilizarea unui singur cablu complet pentru cablare; în caz contrar, trebuie luate măsuri de întărire pentru a proteja punctul de cablare dintre două cabluri, sau dispozitivul poate funcționa anormal din cauza îmbătrânirii circuitului.
- Asigurați-vă că toate cablurile dispozitivului sunt bine protejate și luați măsuri de întărire și protecție în timpul cablajului.
- Evitați lovirea cablurilor și deteriorarea inelului magnetic, altfel dispozitivul poate funcționa anormal.
- Asigurați-vă că niciun cablu nu este prea lung sau întins prea strâns.
- Cablajul trebuie realizat de către tehnicieni profesioniști. Când dispozitivul nu poate funcționa normal, puteți verifica informațiile de mai sus pentru depanare.

3.2 Instalarea camerei

Înainte de a începe:

Consola nu este inclusă în pachet. Vă rugăm să îl achiziționați în mod separat.

Etape:

1. Faceți patru găuri pe perete, în funcție de dimensiunea șablonului suportului de montare pe perete.

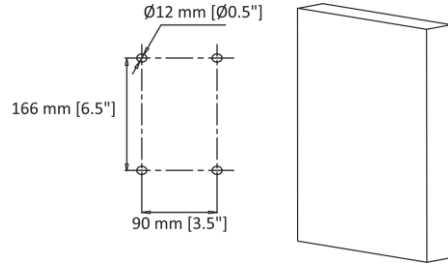


Figura 3-1 Găuriți peretele

2. Înșurubați patru șuruburi M8 în găuri.

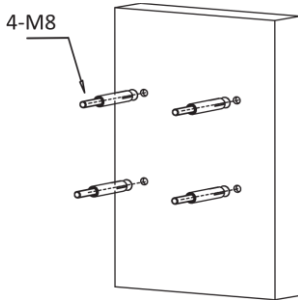


Figura 3-2 Înșurubați șuruburile M8 în găuri

3. Slăbiți și scoateți șuruburile pentru a demonta articulația PT.

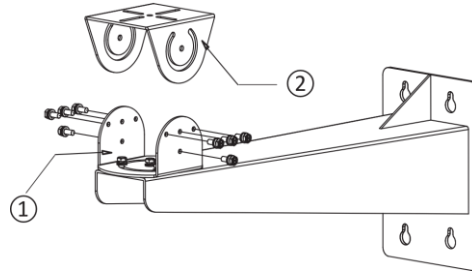


Figura 3-3 Dezasamblați articulația PT

Notă: ①: Partea inferioară a articulației PT; ②: Partea superioară a articulației PT

4. Aliniați cele patru găuri de pe suport cu cele patru șuruburi M8 de pe perete, instalați suportul pe perete și strângeți șuruburile.

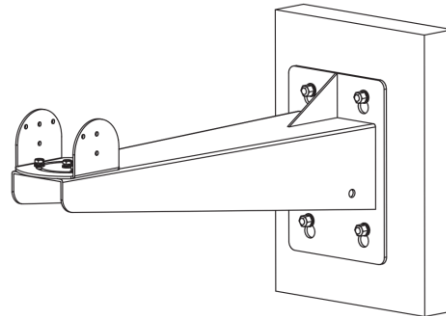


Figura 3-4 Instalarea suportului

5. Slăbiți cele patru șuruburi M6 de pe partea inferioară a articulației PT pentru a regla unghiul de rotire și strângeți șuruburile după reglare. Unghiul de panoramare este de la -45° la 45°.

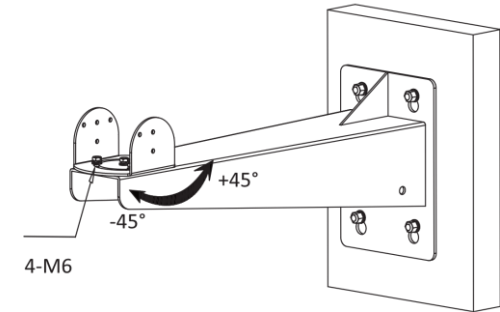


Figura 3-5 Reglați unghiul de panoramare

6. Instalați partea superioară a articulației PT pe baza de montare a camerei cu patru șuruburi M6.

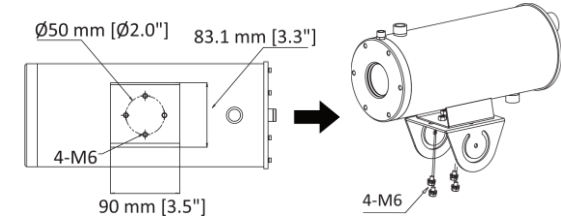


Figura 3-6 Instalați partea superioară a articulației PT pe cameră

7. Înșurubați cele opt șuruburi M6 și reglați unghiul de înclinare pentru cameră. Strângeți șuruburile după reglare. Intervalul de înclinare este de la -45° la 45°.

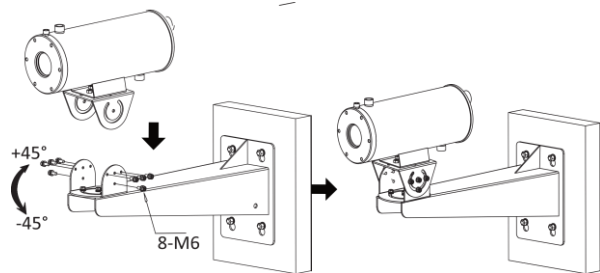


Figura 3-7 Reglați unghiul de înclinare

3.3 Instalația de răcire și de desprăfuire

Este necesară răcirea cu aer sau apă pentru a răci modulul camerei termice dacă dispozitivul funcționează într-un mediu cu temperatură ridicată. Instalația de desprăfuire ajută la îndepărtarea prafului de pe fereastra dispozitivului și la răcirea dispozitivului, astfel încât imaginea să fie mai clară.

Înainte de a începe:

Selectați o metodă de răcire adecvată în funcție de mediul de lucru al dispozitivului.

- Dacă temperatura de lucru este între 50 °C și 100 °C (inclusiv 100 °C), selectați metoda de răcire cu aer.
- Dacă temperatura de lucru este între 100 °C și 200 °C (inclusiv 200 °C), selectați metoda de răcire cu apă.

3.3.1 Instalația de răcire cu aer și de desprăfuire

Puteți introduce aer comprimat pentru a reduce temperatura din cavitatea dispozitivului.

Etape:

1. Conectați orificiul de evacuare a aerului comprimat și ① (admisie de aer G1/2) din partea inferioară a dispozitivului cu ② (conductă înșurubată G1/2).

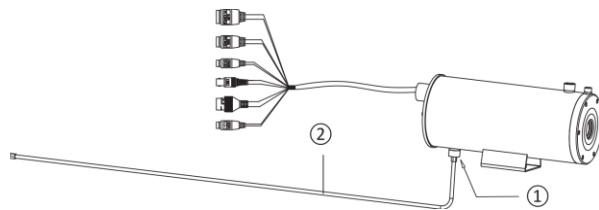


Figura 3-8 Conexiunea conductei pentru răcirea cu aer

Notă:

Lungimea conductei înșurubate din pachet este de 1 m și puteți achiziționa conducta conform cerințelor reale de instalare.

2. Conectați ③ (evacuare de aer G1/2) și ④ (admisie de aer G1/4) cu ⑤ (adaptor), apoi aerul comprimat poate îndepărta praful de pe fereastra dispozitivului.

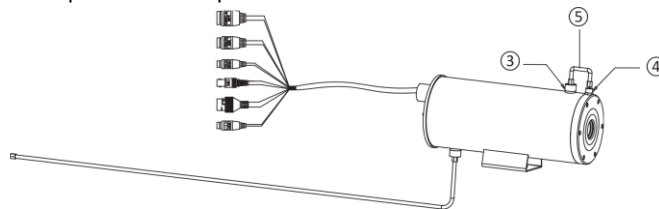


Figura 3-9 Instalația de desprăfuire

3. Înfășurați conducta înșurubată cu materiale termoizolante. Se recomandă aerogel și silicat de aluminiu.

3.3.2 Instalația de răcire cu apă și de desprăfuire

Puteți introduce apă de răcire pentru a reduce temperatura din cavitatea dispozitivului.

Etape:

1. Conectați orificiul de evacuare a apei de răcire și ⑥ (admisie de apă G1/2) din partea inferioară a dispozitivului cu ② (conductă înșurubată G1/2) și conectați orificiul de evacuare a apei de răcire și ⑦ (evacuare apă G1/2) în partea de sus a dispozitivului cu ② (cealaltă conductă înșurubată G1/2).

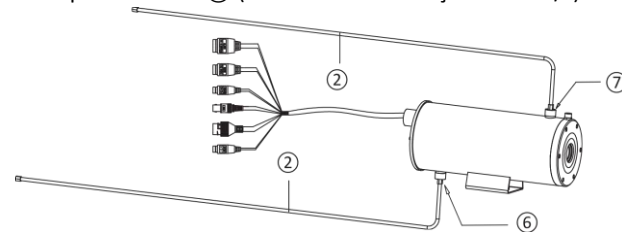


Figura 3-10 Conexiunea conductei pentru răcirea cu apă

Notă:

Asigurați-vă că garniturile de etanșare de la capetele conductelor sunt bine instalate, altfel efectul de impermeabilitate poate fi afectat.

2. Conectați orificiul de evacuare a aerului comprimat și ④ (admisie de aer G1/4) în partea de sus a dispozitivului cu ⑧ (conductă înșurubată G1/4), apoi aerul comprimat poate îndepărta praful de pe fereastra dispozitivului.

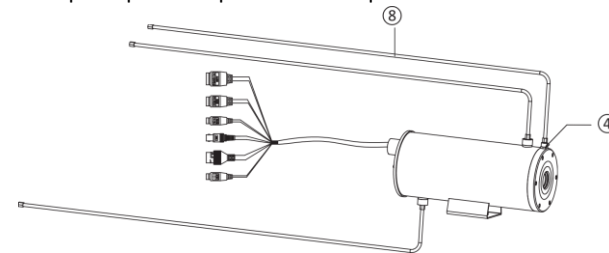


Figura 3-11 Instalația de desprăfuire

Notă:

Lungimea conductei înșurubate din pachet este de 1 m și puteți achiziționa conducta conform cerințelor reale de instalare.

- Înfășurați cele trei conducte înșurubate cu materiale termoizolante. Se recomandă aerogel și silicat de aluminiu.

4 Activarea și accesarea camerei de rețea

Vizitați www.hikmicrotech.com pentru a descărca și instala HIKMICRO Studio. Consultați manualul de utilizare al dispozitivului pentru operațiuni detaliate.

Informații juridice


©2022 Hangzhou Microimage Software Co., Ltd. Toate drepturile rezervate.

Despre acest Manual

Manualul include instrucțiuni pentru utilizarea și gestionarea Produsului. Fotografii, diagramele, imaginile și toate celelalte informații de mai jos sunt doar pentru descriere și explicații. Informațiile conținute în Manualul pot fi modificate, fără notificare prealabilă, din cauza actualizărilor firmware-ului sau din alte motive. Vă rugăm să găsiți cea mai recentă versiune a acestui Manual pe site-ul HIKMICRO (www.hikmicrotech.com/).

Vă rugăm să folosiți acest Manual sub îndrumarea și cu asistența unor profesioniști instruiți în domeniul asistenței pentru produs.

Recunoașterea mărcilor

 și alte mărci comerciale și sigle ale HIKMICRO reprezintă proprietatea HIKMICRO în diferite jurisdicții.

Alte mărci comerciale și logo-uri menționate sunt proprietățile proprietarilor respectivi.

Disclaimer

ÎN MĂSURA MAXIMĂ PERMISĂ DE LEGISLAȚIA APLICABILĂ, ACEST MANUAL ȘI PRODUSUL DESCRIS, ÎMPREUNĂ CU HARDWARE-UL,

SOFTWARE-UL ȘI FIRMWARE-UL SĂU, SUNT FURNIZATE „CA ATARE” ȘI „CU TOATE DEFECTELE ȘI ERORILE”. HIKMICRO NU OFERĂ GARANȚII, EXPLICITE SAU IMPLICITE, INCLUSIV, FĂRĂ LIMITARE, VANDABILITATE, CALITATE SATISFĂCĂTOARE SAU ADECVARE PENTRU UN ANUMIT SCOP. UTILIZAREA PRODUSULUI DE CĂTRE DVS. ESTE PE PROPRIU RISC. ÎN NICIUN CAZ HIKMICRO NU VA FI RĂSPUNZĂTOR FAȚĂ DE DVS. PENTRU ORICE DAUNE SPECIALE, CONSECVENTE SAU ACCIDENTALE SAU INDIRECTE, INCLUSIV, PRINTRE ALTELE, DAUNE PENTRU PIERDEREA PROFITURILOR DE AFACERI, ÎNTRERUPEREA AFACERII, SAU PIERDEREA DATELOR, CORUPȚIA SISTEMELOR SAU PIERDEREA DOCUMENTAȚIEI, FIE CĂ SE BAZEAZĂ PE ÎNCĂLCAREA CONTRACTULUI, DELICT (INCLUSIV NEGLIJENȚĂ), RĂSPUNDEREA PRODUSULUI SAU ÎN ALT MOD, ÎN LEGĂTURĂ CU UTILIZAREA PRODUSULUI, CHIAR DACĂ HIKMICRO A FOST INFORMAT CU PRIVIRE LA POSIBILITATEA UNOR ASTFEL DE DAUNE SAU PIERDERI.

RECUNOAȘTEȚI CĂ NATURA INTERNETULUI ASIGURĂ RISCURI DE SECURITATE INERENTE, IAR HIKMICRO NU ÎȘI ASUMĂ NICIO RESPONSABILITATE PENTRU FUNCȚIONAREA ANORMALĂ, SCURGERI DE CONFIDENȚIALITATE SAU ALTE DAUNE REZULTATE DIN ATACURILE CIBERNETICE, ATACURILE HACKERILOR, INFECȚIILOR CU VIRUȘI SAU ALTE RISCURI DE SECURITATE PE INTERNET; CU TOATE ACESTE, HIKMICRO VA OFERI ASISTENȚĂ TEHNICĂ ÎN TIMP UTIL, DACĂ ESTE NECESAR.

SUNTEȚI DE ACORD SĂ UTILIZAȚI ACEST PRODUS ÎN CONFORMITATE CU TOATE LEGILE APLICABILE ȘI SUNTEȚI SINGURUL RESPONSABIL PENTRU A VĂ ASIGURA CĂ UTILIZAREA DVS. ESTE ÎN CONFORMITATE CU LEGISLAȚIA APLICABILĂ. ÎN SPECIAL, SUNTEȚI RESPONSABIL, PENTRU UTILIZAREA ACESTUI PRODUS ÎNTR-UN MOD CARE NU ÎNCALCĂ DREPTURILE TERȚILOR, INCLUSIV, FĂRĂ LIMITARE, DREPTURILE DE PUBLICITATE, DREPTURILE DE PROPRIETATE INTELLECTUALĂ SAU PROTECȚIA DATELOR ȘI ALTE DREPTURI DE CONFIDENȚIALITATE. NU VEȚI UTILIZA ACEST PRODUS PENTRU UTILIZĂRI FINALE INTERZISE, INCLUSIV PENTRU DEZVOLTAREA SAU PRODUCEREA DE ARME DE DISTRUGERE ÎN MASĂ, DEZVOLTAREA SAU PRODUCEREA DE ARME CHIMICE SAU BIOLOGICE, ORICE ACTIVITĂȚI ÎN CONTEXTUL ORICĂRUI CICLU NUCLEAR EXPLOZIV SAU NESIGUR AL COMBUSTIBILULUI NUCLEAR SAU ÎN SPRIJINUL OAMENILOR ABUZURI DE DREPTURI.

ÎN CAZUL UNOR CONFLICTE ÎNTRE ACEST MANUAL ȘI LEGEA APLICABILĂ, ACESTA DIN URMĂ PREVALEAZĂ.

Informații de reglementare

Aceste clauze se aplică numai produselor care poartă marca sau informațiile corespunzătoare.

Declarație de conformitate UE

Acest produs și, dacă este cazul, accesoriile furnizate sunt marcate cu „CE” și, prin urmare, respectă standardele europene armonizate aplicabile enumerate din Directiva CEM 2014/30/UE, Directiva RoHS 2011/65/UE.



2012/19/UE (directiva DEEE): Produsele marcate cu acest simbol nu pot fi aruncate ca deșeuri municipale nesortate în Uniunea Europeană. Pentru o reciclare adecvată, returnați acest produs furnizorului local la achiziționarea unui echipament nou echivalent sau aruncați-l la punctele de colectare desemnate. Pentru mai multe informații, consultați: www.recyclethis.info.



2006/66/CE (directiva privind bateriile): Acest produs conține o baterie care nu poate fi eliminată ca deșeuri municipale nesortate în Uniunea Europeană. Consultați documentația produsului pentru informații specifice despre baterie. Bateria este marcată cu acest simbol, care poate include litere pentru a indica cadmiul (Cd), plumbul (Pb) sau mercurul (Hg). Pentru o reciclare corectă, returnați bateria furnizorului dvs. sau la un punct de colectare desemnat. Pentru mai multe informații vezi: www.recyclethis.info.

Instrucțiuni de siguranță

Aceste instrucțiuni sunt menite să asigure că utilizatorul poate utiliza corect produsul pentru a evita pericolul sau pierderea proprietății.

Legi și reglementări

- În utilizarea produsului, trebuie să respectați cu strictețe reglementările de siguranță electrică naționale și regionale.

Transport

- Păstrați dispozitivul în ambalajul original sau similar în timpul transportului.
- După dezambalare, păstrați toate ambalajele pentru o viitoare utilizare. În cazul în care a apărut vreun defect, trebuie să returnați dispozitivul în fabrică cu ambalajul original. Transportul fără ambalajul original poate duce la deteriorarea dispozitivului, iar

compania nu își asumă nici o responsabilitate pentru aceasta.

- NU scăpați produsul și NU îl supuneți la șocuri fizice. Țineți dispozitivul departe de interferența magnetică.

Sursa de alimentare

- Vă rugăm să cumpărați personal încărcătorul. Tensiunea de intrare trebuie să respecte sursa de alimentare limitată de 12 V c.c., conform standardului IEC62368. Vă rugăm să consultați specificațiile tehnice pentru informații detaliate.
- Asigurați-vă că ștecherul este conectat corect la priza de curent.
- Priza de curent trebuie să fie instalată în apropierea echipamentului și trebuie să fie ușor accesibilă.
- NU conectați mai multe dispozitive la un adaptor de alimentare pentru a evita pericolul de supraîncălzire sau de incendiu.
- NU atingeți contactele metalice goale ale prizelor după ce întrerupătorul de circuit este oprit. Electricitatea mai este prezentă.
- + identifică terminalul (terminalele) pozitiv(e) al(e) echipamentului care este utilizat cu curent continuu sau care generează curent continuu. - identifică terminalul (terminalele) negativ(e) al(e) echipamentului care este utilizat cu curent continuu sau care generează curent continuu.

Baterie

- ATENȚIE: Risc de explozie dacă bateria este înlocuită cu una de tip incorect.
- Aruncați bateriile uzate în conformitate cu instrucțiunile.
- Înlocuirea necorespunzătoare a bateriei cu un tip incorect poate anula o protecție (de exemplu, în cazul unor tipuri de baterii cu litiu).
- Nu aruncați bateria în foc sau într-un cuptor încins și nici nu zdrobiți sau tăiați mecanic bateria, deoarece aceasta poate provoca o explozie.
- Nu lăsați bateria într-un mediu înconjurător cu temperaturi extrem de ridicate, ceea ce poate duce la o explozie sau la scurgerea de lichid sau gaz inflamabil.
- NU supuneți bateria la o presiune extrem de scăzută a aerului, care poate duce la o explozie sau la scurgerea de lichid sau gaz inflamabil.

Instalare

- Nu așezați niciodată echipamentul într-un loc instabil. Echipamentul poate cădea, provocând vătămări corporale grave sau chiar moartea.
- Acest echipament este destinat utilizării numai cu suporturile corespunzătoare. Utilizarea cu alte suporturi (cărucioare, standuri sau suporturi) poate duce la instabilitate și poate provoca vătămări.

Securitatea sistemului

- Recunoașteți că natura internetului implică riscuri de securitate inerente, iar compania noastră nu își asumă nicio responsabilitate pentru funcționarea anormală, scurgerea de informații private sau alte daune rezultate în urma unui atac cibernetic sau a unui atac al hackerilor; cu toate acestea, compania noastră va oferi asistență tehnică în timp util, dacă este necesar.
- Vă rugăm să asigurați protecția informațiilor personale și securitatea datelor, deoarece dispozitivul se poate confrunta cu probleme de securitate a rețelei atunci când este conectat la internet. Vă rugăm să ne contactați în cazul în care dispozitivul ar putea prezenta riscuri de securitate a rețelei.
- Vă rugăm să înțelegeți că aveți responsabilitatea de a configura toate parolele și alte setări de securitate ale dispozitivului și de a vă păstra numele de utilizator și parola.


Întreținere

- În cazul în care produsul nu funcționează corect, vă rugăm să contactați dealerul sau cel mai apropiat centru de service. Nu ne asumăm nicio responsabilitate pentru problemele cauzate de reparații sau întreținere neautorizate.
- Câteva componente ale dispozitivului (de exemplu, condensator electrolitic) necesită înlocuirea regulată. Durata medie de viață variază, deci se recomandă verificarea periodică. Contactați distribuitorul pentru detalii.
- Ștergeți ușor aparatul cu o cârpă curată și o cantitate mică de etanol, dacă este necesar.
- În cazul în care echipamentul este utilizat într-un mod care nu este specificat de producător, protecția oferită de dispozitiv poate fi afectată.
- Pentru a reduce riscul de incendiu, înlocuiți numai cu același tip și rating de siguranță.
- Portul serial al echipamentului este utilizat doar pentru depanare.

Utilizarea mediului

- Asigurați-vă că mediul de funcționare îndeplinește cerințele dispozitivului. Temperatura de funcționare va fi de la 0 °C la 200 °C (32 °F la 392 °F), în funcție de sistemul de instalare, iar umiditatea trebuie să fie de 95% sau mai puțin.
- Așezați dispozitivul într-un mediu uscat și bine ventilat.
- NU expuneți dispozitivul la radiații electromagnetice ridicate sau în medii cu praf.
- NU îndreptați obiectivul la soare sau la orice altă lumină

strălucitoare.

- Echipamentul nu trebuie să fie expus la picurare sau stropire și nu trebuie să fie așezate pe el obiecte pline cu lichide, cum ar fi vase.
- Nu trebuie plasate pe echipament surse de flacără goală, cum ar fi lumânările aprinse.
- Furnizați un supresor de supratensiune la deschiderea de admisie a echipamentului în condiții speciale, cum ar fi vârful muntelui, turnul de fier și pădurea.
- Degete arse la manipularea pieselor cu simbolul . Așteptați o jumătate de oră după deconectare înainte de a manipula piesele.

Urgență

- Dacă de la dispozitiv apar fum, miros sau zgomot, opriți imediat alimentarea, deconectați cablul de alimentare și contactați centrul de service.

NOTIFICARE DE CONFORMITATE: Produsele din seria termică pot fi supuse controalelor exporturilor în diferite țări sau regiuni, inclusiv, fără limitare, Statele Unite ale Americii, Uniunea Europeană, Regatul Unit și/sau alte țări membre ale Aranjamentului de la Wassenaar. Vă rugăm să consultați expertul juridic sau de conformitate profesional sau autoritățile administrației locale pentru orice cerințe necesare privind licența de export dacă intenționați să transferați, să exportați, să reexportați produsele din seria termică între diferite țări.

Slovenčina

1 Příprava

Základné požiadavky

- Akákoľvek prevádzka elektronických zariadení musí byť dôsledne v súlade s predpismi o elektrických zariadeniach, protipožiarnymi predpismi a inými súvisiacimi predpismi vo vašom regióne.
- Skontrolujte, či je zariadenie v balení v dobrom stave a či sú

príbalené všetky diely na zostavenie.

- Systém používajte podľa požiadaviek pracovného prostredia.

Kontrola inštaláčného prostredia

- Uistite sa, že je na inštaláciu kamery aj príslušenstva dostatok miesta.
- Uistite sa, že je stena dostatočne pevná, aby udržala minimálne osemnásobok hmotnosti kamery a držiaka.

Príprava káblov

- Podľa skutočnej šírky pásma siete je potrebný kábel Cat5 (do 100 m) alebo Cat6 (viac ako 100 m).
- Ak kamera používa štandardný zdroj napájania 12 V jednosmerný prúd, napájací kábel by mal mať americkú kábovú mieru 18 alebo viac. Vzorec prierezu S (mm^2) a maximálnej prenosovej vzdialenosti L (m) holého drôtu je $L = 50 * S$.
- Vyberte video kábel podľa dĺžky prenosu. Video kábel by mal spĺňať minimálne požiadavky, ako napríklad: odpor 75Ω ; vodivý drôt so 100 % medený jadrom; 95 % tkané medené tienenie.

Príprava nástrojov

Pred inštaláciou si pripravte potrebné nástroje, ako napríklad expanzné skrutky, elektrické kladivo, elektrickú vrtačku, maticový kľúč, skrutkovač, elektrický tester a sieťový kábel.

Pôvodné balenie

Pri rozbalovaní kamery si ponechajte pôvodné balenie pre prípad vrátenia alebo opravy kamery. Kameru môžete zabaliť do pôvodného balenia.

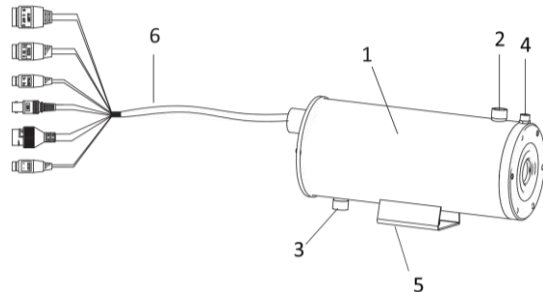
Poznámka:

Používateľ bude zodpovedný za akékoľvek škody spôsobené pri preprave s nepôvodným balením.

2 Popis vzhľadu

2.1 Vzhľad

Vzhľad kamery je zobrazený na nasledujúcom obrázku.



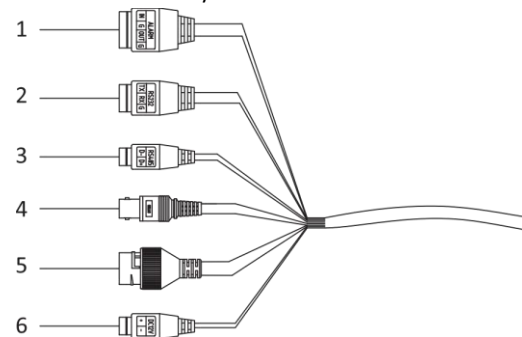
Obrázok 2-1 Vzhľad

Tabuľka 2-1 Popis zariadenia

Číslo	Popis
1	Kamera
2	Výstup vody/vzduchu G1/2
3	Prívod vody/vzduchu G1/2
4	Prívod vzduchu G1/4
5	Montážna základňa
6	Káble

2.2 Popis káblov

Kábové rozhrania kamery sú znázornené na obrázku 2-20.



Obrázok 2-2 Káble kamery

Tabuľka 2-2 Popis zariadenia

Číslo	Popis
1	Vstup/výstup alarmu
2	Kábel RS-232
3	Kábel RS-485
4	Kábel CVBS
5	Sieťový kábel RJ45
6	Napájací kábel

3 Montáž

3.1 Zapojenie

Pri plánovaní zapojenia berte do úvahy inštalačné prostredie a polohu zariadenia. Na zabezpečenie stabilného napájania a prenosu signálu dôsledne dodržiavajte nasledujúce pravidlá:

- Pred zapojením skontrolujte inštalačné prostredie vrátane vzdialenosti zapojenia, prostredia zapojenia, rušenia magnetickým poľom atď.
- Menovité napätie vodiča by malo byť vyššie, ako vyžaduje zariadenie, aby zariadenie mohlo normálne pracovať v prípade nestability napätia.
- Na zapojenie sa odporúča použiť jeden kompletný kábel. V opačnom prípade by sa mali prijať opatrenia na ochranu spoja dvoch káblov, inak môže zariadenie fungovať neštandardne v dôsledku starnutia obvodu.
- Uistite sa, že káble zariadenia sú dobre chránené, a počas zapájania prijmite ochranné opatrenia.
- Predchádzajte nárazom do káblov a poškodeniu magnetického krúžku, inak môže zariadenie pracovať neštandardne.
- Uistite sa, že káble nie sú príliš dlhé alebo príliš natiahnuté.
- Zapojenie by mali vykonať profesionálni technici. Ak zariadenie nefunguje normálne, pozrite si vyššie uvedené informácie, aby ste odstránili problémy.

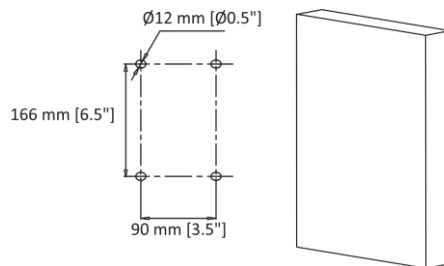
3.2 Inštalácia kamery

Skôr, ako začnete:

Konzola nie je súčasťou balenia. Zakúpte si ho samostatne.

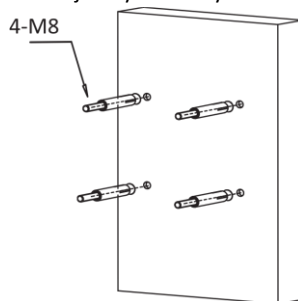
Postup:

1. Vyvrtajte do steny štyri otvory podľa rozmerov šablóny na montáž konzoly na stenu.



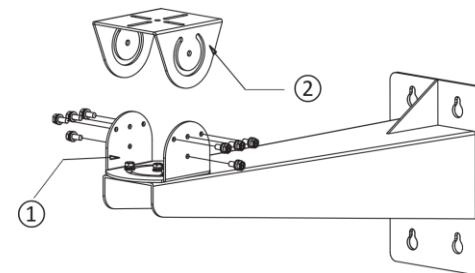
Obrázok 3-1 Vyvrtajte do steny otvory

2. Do otvorov naskrutkujte štyri skrutky M8.



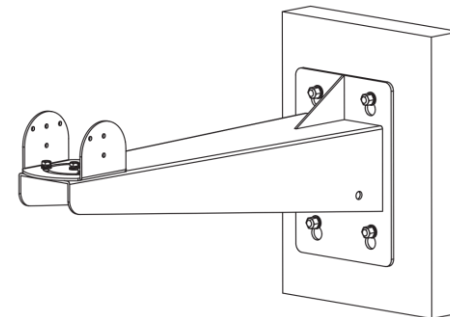
Obrázok 3-2 Do otvorov naskrutkujte skrutky M8

3. Uvoľnite a odstráňte skrutky, aby ste rozobrali spoj PT.



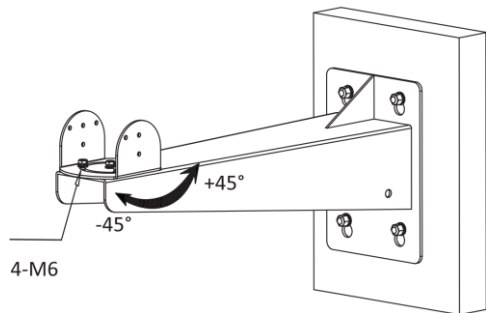
Obrázok 3-3 Rozoberte spoj PT

Poznámka: ①: Spodná časť spoja PT; ②: Vrchná časť spoja PT
4. Zarovnajte štyri otvory na konzole so štyrmi skrutkami M8 na stene, namontujte konzolu na stenu a utiahnite skrutky.



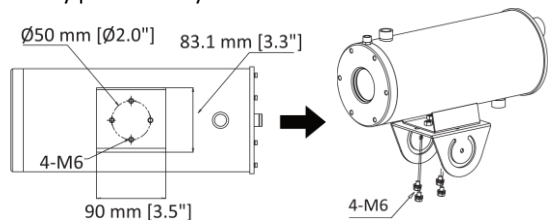
Obrázok 3-4 Nainštalujte konzolu

5. Uvoľnite štyri skrutky M6 v spodnej časti spoja PT, aby ste nastavili uhol posunu, a po nastavení utiahnite skrutky. Uhol posunu je od -45° do 45° .



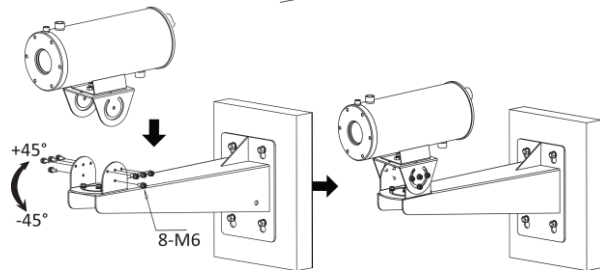
Obrázok 3-5 Nastavte uhol posunu

6. Namontujte vrchnú časť spoja PT na montážnu základňu kamery pomocou štyroch skrutiek M6.



Obrázok 3-6 Nainštalujte vrchnú časť spoja PT s kamerou

7. Naskrutkujte osem skrutiek M6 a nastavte uhol sklonu kamery. Po nastavení skrutky utiahnite. Rozsah naklonenia je od -45° do 45°.



Obrázok 3-7 Nastavte uhol naklonenia

3.3 Inštalácia chladenia a odprašovania

Ak zariadenie pracuje v prostredí s vysokými teplotami, na chladenie modulu termografickej kamery je potrebné chladenie vzduchom alebo vodou. Inštalácia odprašovania pomáha odstraňovať prach z okna zariadenia a ochladzovať zariadenie, aby bol obraz jasnejší.

Skôr, ako začnete:

Vyberte správny spôsob chladenia podľa pracovného prostredia zariadenia.

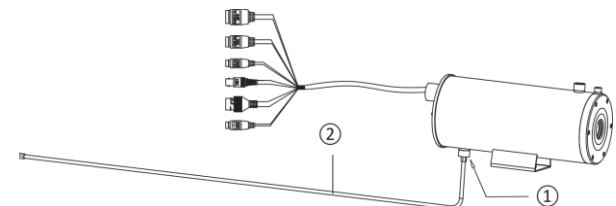
- Ak je pracovná teplota medzi 50 °C a 100 °C (vrátane 100 °C), zvolte metódu chladenia vzduchom.
- Ak je pracovná teplota medzi 100 °C a 200 °C (vrátane 200 °C), zvolte metódu chladenia vodou.

3.3.1 Inštalácia chladenia a odprašovania vzduchom

Na zníženie teploty vnútra zariadenia môžete zaviesť stlačený vzduch .

Postup:

1. Pripojte výstup stlačeného vzduchu a ① (prívod vzduchu G1/2) v spodnej časti zariadenia ku ② (skrútkovacej rúrke G1/2).

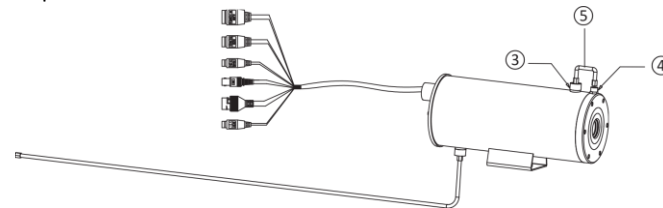


Obrázok 3-8 Pripojenie rúrky na chladenie vzduchom

Poznámka:

Dĺžka skrútkovacej rúrky v balení je 1 m a rúrku si môžete kúpiť podľa skutočných inštalčných požiadaviek.

2. Pripojte ③ (výstup vzduchu G1/2) a ④ (prívod vzduchu G1/4) k ⑤ (adaptéru), aby mohol stlačený vzduch odstraňovať prach z okna zariadenia.



Obrázok 3-9 Inštalácia odprašovania

3. Skrútkovacia rúrku obalte tepelnoizolačnými materiálmi. Odporúča sa aerogél a kremičitan hlinitý.

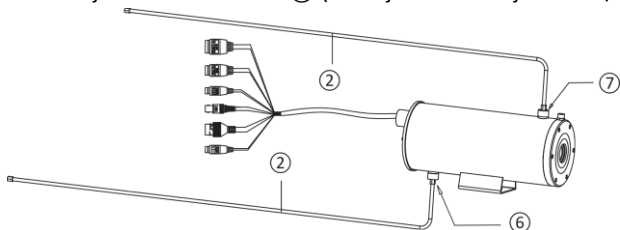
3.3.2 Inštalácia chladenia a odprašovania vodou

Na zníženie teploty vnútra zariadenia môžete zaviesť chladiacu vodu.

Postup:

1. Pripojte výstup chladiacej vody a ⑥ (prívod vody G1/2) v spodnej časti zariadenia k ② (jednej skrútkovacej rúrke G1/2)

a pripojte vstup odtokovej vody a ⑦ (výstup vody G1/2) v hornej časti zariadenia ku ② (druhej skrutkovacej rúrke G1/2).

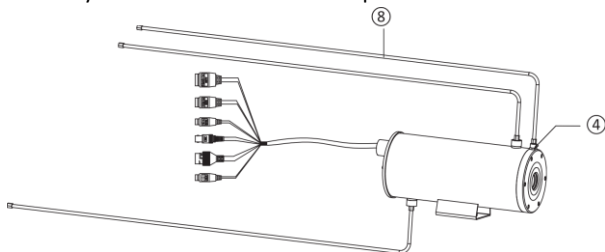


Obrázok 3-10 Pripojenie rúrok na chladenie vodou

Poznámka:

Uistite sa, že tesnenia na koncoch rúrok sú dobre nainštalované, inak môže byť ovplyvnená vodotesnosť.

2. Pripojte výstup stlačeného vzduchu a ④ (prívod vzduchu G1/4) v hornej časti zariadenia ku ⑧ (skrutkovacej rúrke G1/4), aby stlačený vzduch mohol odstraňovať prach z okna zariadenia.



Obrázok 3-11 Inštalácia odprašovania

Poznámka:

Dĺžka skrutkovacej rúrky v balení je 1 m a rúrku si môžete kúpiť podľa skutočných inštalčných požiadaviek.

3. Tri skrutkovacie rúrky obalte tepelnoizolačnými materiálmi. Odporúča sa aerogél a kremičitan hlinitý.

4 Aktivujte sieťovú kameru a získajte k nej prístup

Navštívte www.hikmicrotech.com a stiahnite si a nainštalujte aplikáciu HIKMICRO Studio. Podrobný návod na obsluhu nájdete v návode na používanie zariadenia.

Právne informácie


©2022 Hangzhou Microimage Software Co., Ltd. Všetky práva vyhradené.

Informácie o tomto návode

Táto príručka obsahuje pokyny na používanie a správu produktu. Obrázky, grafy, nákresy a všetky ďalšie informácie, ktoré sú v ňom uvedené, slúžia len na opis a vysvetlenie. Informácie uvedené v návode sa môžu zmeniť bez predchádzajúceho upozornenia v dôsledku aktualizácií firmvéru alebo iných príčin. Najnovšiu verziu tejto príručky nájdete na webovej lokalite HIKMICRO (www.hikmicrotech.com/).

Používajte tento návod v súlade s pokynmi a radami odborníkov, ktorí sú vyškolení na obsluhu produktu.

Potvrdenia o ochranných známkach

 HIKMICRO a iné ochranné známky a logá spoločnosti HIKMICRO sú vlastníctvom spoločnosti HIKMICRO v rôznych jurisdikciách.

Iné ochranné známky a logá sú vlastníctvom príslušných majiteľov.

Odmietnutie zodpovednosti

V MAXIMÁLNO MŮŽNOM ROZSAHU, KTORÝ POVOĽUJÚ PRÍSLUŠNÉ PRÁVNE PREDPISY, SA TÁTO PRÍRUČKA A OPÍSANÝ PRODUKT SPOLU S JEHO HARDVÉROM, SOFTVÉROM A FIRMVÉROM, DODÁVAJÚ V STAVE „AKO SÚ“ A „SO VŠETKÝMI PORUCHAMI A CHYBAMI“. SPOLOČNOSŤ HIKMICRO NEPOSKYTUJE ŽIADNE VÝSLOVNÉ ANI PREDPOKLADANÉ ZÁRUKY, OKREM INÉHO O PREDAJNOSTI, USPOKOJIVEJ KVALITE ALEBO VHODNOSTI NA KONKRÉTNY ÚČEL. POUŽÍVANIE PRODUKTU JE NA VAŠE VLASTNÉ RIZIKO. SPOLOČNOSŤ HIKMICRO V ŽIADNOM PRÍPADE NENESIE ZODPOVEDNOSŤ ZA ŽIADNE OSOBITNÉ, NÁSLEDNÉ, NAHODNÉ ALEBO

NEPRIAME ŠKODY, OKREM INÉHO VRÁTANE ŠKŔD Z UŠĽÉHO PODNIKATEĽSKÉHO ZISKU, PRERUŠENIA PODNIKANIA, STRATY ÚDAJOV, POŠKODENIA SYSTÉMOV ALEBO STRATY DOKUMENTÁCIE, ČI UŽ NA ZÁKLADE PORUŠENIA ZMLUVY, PREČINU (VRÁTANE NEDBALOSTI), ZODPOVEDNOSTI ZA PRODUKT ALEBO INAK V SÚVISLOSTI S POUŽÍVANÍM PRODUKTU, A TO ANI V PRÍPADE, AK BOĽA SPOLOČNOSŤ HIKMICRO UPOZORNENÁ NA MOŽNOSŤ TAKÝCHTO ŠKŔD.

UZNÁVATE, ŽE Z POVAHY INTERNETU VYPLÝVAJÚ INHERENTNÉ BEZPEČNOSTNÉ RIZIKÁ A SPOLOČNOSŤ HIKMICRO NENESIE ŽIADNU ZODPOVEDNOSŤ ZA NEŠTANDARDNÚ PREVÁDZKU, ÚNIK OSOBNÝCH ÚDAJOV ANI ZA INÉ ŠKODY V DŔSLEDKU KYBERNETICKÉHO ÚTOKU, HAKERSKÉHO ÚTOKU, VÍRUSOVEJ INFEKČIE ALEBO INÝCH BEZPEČNOSTNÝCH RIZÍK SIETE INTERNET; V PRÍPADE POTREBY VŠAK SPOLOČNOSŤ HIKMICRO POSKYTNE VČASNÚ TECHNICKÚ PODPORU. SÚHLASÍTE S POUŽÍVANÍM TOHTO PRODUKTU V SÚLADE SO VŠETKÝMI PRÍSLUŠNÝMI ZÁKONMI A NESIETE VÝHRADNÚ ZODPOVEDNOSŤ ZA ZABEZPEČENIE, ABY VAŠE POUŽÍVANIE BOĽO V SÚLADE S PRÍSLUŠNÝMI ZÁKONMI. STE OBZVLÁŠŤ ZODPOVEDNÍ ZA POUŽÍVANIE TOHTO PRODUKTU SPŔOSOBOM, KTORÝ NEPORUŠUJE PRÁVA TRETIEJ STRÁN, OKREM INÉHO PRÁVA PUBLICITY, PRÁVA DUŠEVNÉHO VLASTNÍCTVA, PRÁVA NA OCHRANU ÚDAJOV A INÉ PRÁVA NA OCHRANU SÚKROMIA. TENTO PRODUKT NESMIETE POUŽÍVAŤ NA ŽIADNE ZAKÁZANÉ ÚČELY VRÁTANE VÝVOJA ALEBO VÝROBY ZBRANÍ HROMADNÉHO NIČENIA, VÝVOJA ALEBO VÝROBY CHEMICKÝCH ALEBO BIOLOGICKÝCH ZBRANÍ, AKÝCHKOLVEK AKTIVÍT V SÚVISLOSTI S AKOUKOLVEK JADROVOU VÝBUŠNINOU ALEBO NEBEZPEČNÝM CYKLOM JADROVÉHO PALIVA, ALEBO NA PODPORU ZNEUŽÍVANIA ĽUDSKÝCH PRÁV. V PRÍPADE AKÉHOKOLVEK NESÚĽADU MEDZI TOUTO PRÍRUČKOU A PRÍSLUŠNÝMI PRÁVNÝMI PREDPISMI MAJÚ PREDNOSŤ PRÍSLUŠNÉ PRÁVNE PREDPISY.

Regulačné informácie

Tieto ustanovenia platia len pre produkty s príslušným označením alebo údajom.

Vyhlasenie o súlade s predpismi EÚ



Tento produkt a - u produktov, ktorých sa to týka - aj dodávané príslušenstvo sú označené značkou „CE“ a zodpovedajú preto príslušným harmonizovaným európskym normám uvedeným v smernici EMC 2014/30/EÚ, smernici RoHS 2011/65/EÚ. 2012/19/EÚ (smernica o odpade z elektrických a elektronických



zariadení): Produkty označené týmto symbolom sa v rámci Európskej únie nesmú likvidovať spolu s netriedeným komunálnym odpadom. Po zakúpení ekvivalentného nového zariadenia zrecyklujte produkt tým, že ho odovzdáte miestnemu dodávateľovi alebo ho zlikvidujete na určených zberných miestach. Ďalšie informácie nájdete na: www.recyclethis.info. 2006/66/ES (smernica o batériách): Tento produkt obsahuje batériu, ktorá sa v rámci Európskej únie nesmie likvidovať spolu s netriedeným komunálnym odpadom. Konkrétne informácie o batérii nájdete v dokumentácii produktu.



Batéria je označená týmto symbolom, ktorý môže obsahovať písmená označujúce obsah kadmia (Cd), olova (Pb) alebo ortuti (Hg). Zrecyklujte batériu tým, že ju odovzdáte dodávateľovi alebo ju zlikvidujete na určenom zbernom mieste. Ďalšie informácie nájdete na lokalite: www.recyclethis.info.

Bezpečnostné pokyny

Tieto pokyny slúžia na zabezpečenie správneho používania produktu používateľom s cieľom predchádzať vzniku nebezpečenstva alebo majetkovým stratám.

Právne predpisy a nariadenia

- Pri používaní produktu je potrebné, aby ste dôsledne dodržiavali elektroinštalčné bezpečnostné predpisy platné na celoštátnej a regionálnej úrovni.

Preprava

- Pri preprave ponechajte zariadenie v pôvodnom alebo podobnom balení.
- Po rozbalení si všetky obaly odložte na budúce použitie. V prípade výskytu poruchy bude potrebné, aby ste zariadenie vrátili do výrobcovi v pôvodnom obale. Pri preprave bez pôvodného obalu môže dôjsť k poškodeniu zariadenia a spoločnosť za to nebude niesť žiadnu zodpovednosť.
- Chráňte zariadenie pred pádom alebo nárazom. Zariadenie chráňte pred magnetickým rušením.

Zdroj napájania

- Nabíjačku si zakúpte sami. Vstupné napätie musí spĺňať podmienky veľmi nízkeho napätia 12 V jednosmerný prúd podľa normy IEC62368. Podrobné informácie nájdete v technických špecifikáciách.
- Skontrolujte, či je zástrčka správne pripojená k napájacej zásuvke.
- Zásuvka sa musí nainštalovať v blízkosti zariadenia a musí byť ľahko

dostupná.

- K jednému napájaciu adaptéru NEPRIPÁJAJTE viacero zariadení, aby nedošlo k prehriatiu alebo riziku požiaru v dôsledku preťaženia.
- Po vypnutí ističa sa NEDOTÝKAJTE neizolovaných kovových kontaktov vstupov. Stále je prítomný elektrický prúd.
- + označuje koncovky s kladnou polaritou v prípade zariadenia, s ktorým sa používa alebo ktoré vytvára jednosmerný prúd. – označuje koncovky so zápornou polaritou v prípade zariadenia, s ktorým sa používa alebo ktoré vytvára jednosmerný prúd.

Batéria

- VÝSTRAHA: Riziko výbuchu v prípade výmeny batérie za nesprávny typ.
- Použitú batériu zlikvidujte podľa príslušných pokynov.
- Pri nevhodnej výmene batérie za nesprávny typ sa môže deaktivovať bezpečnostný prvok (napríklad pri niektorých typoch lítiových batérii).
- Batériu nevkladajte do ohňa alebo horúcej rúry ani ju mechanicky nedrte ani nerezte, pretože by to mohlo spôsobiť výbuch.
- Batériu nenechávajte v prostredí s mimoriadne vysokou teplotou, čo môže viesť k výbuchu alebo úniku horľavých kvapalín alebo plynov.
- Batériu nevystavujte mimoriadne nízkemu tlaku vzduchu, čo môže viesť k výbuchu alebo úniku horľavých kvapalín alebo plynov.

Inštalácia

- Zariadenie nikdy neumiestňujte na nestabilné miesto. Zariadenie môže spadnúť, v dôsledku čoho môže dôjsť k vážnemu zraneniu alebo usmrteniu.
- Toto zariadenie je určené na použitie iba s príslušnými držiakmi. V prípade použitia s inými prvkami (vozíky, stojany alebo nosiče) môže dôjsť k nestabilite a možnému zraneniu.

Zabezpečenie systému


- Berte na vedomie, že internetové pripojenie ako také predstavuje bezpečnostné riziká a naša spoločnosť nepreberá zodpovednosť za nenormálnu činnosť, únik osobných údajov alebo iné škody spôsobené kybernetickým útokom, hackerským útokom, avšak v prípade potreby poskytnete naša spoločnosť včasnú technickú podporu.
- Po pripojení zariadenia na internet chráňte osobné údaje, pretože môže dôjsť k ohrozeniu zariadenia v dôsledku problémov so zabezpečením siete. Ak by zariadenie mohlo byť v sieťovom prostredí ohrozené, obráťte sa na výrobcu.
- Upozorňujeme, že ste zodpovední za konfiguráciu všetkých hesiel a

ďalších bezpečnostných nastavení zariadenia a za uchovanie používateľského mena a hesla.

Údržba

- Ak produkt nepracuje správne, obráťte sa na predajcu alebo na najbližšie servisné stredisko. Nepreberáme žiadnu zodpovednosť za problémy spôsobené neoprávnenou opravou alebo údržbou.
- Niekoľko komponentov zariadenia (napr. elektrolytický kondenzátor) si vyžaduje pravidelnú výmenu. Priemerná doba životnosti sa líši, preto odporúčame pravidelnú kontrolu. So žiadosťou o ďalšie podrobnosti sa obráťte na predajcu.
- V prípade potreby zariadenie jemne utrite čistou handričkou a malým množstvom etanolu.
- Ak sa zariadenie používa spôsobom, ktorý výrobca neuvádza, môže dôjsť k zníženiu ochrany poskytovanej zariadením.
- S cieľom znížiť riziko požiaru vymeňte poistku len s poistku rovnakého typu a parametrov.
- Sériový port na zariadení slúži len na servisné účely.

Prevádzkové prostredie

- Zabezpečte, aby prevádzkové prostredie spĺňalo požiadavky zariadenia. Prevádzková teplota by mala byť 0 °C až 200 °C (32 °F až 392 °F) v závislosti od inštaláčného systému a prevádzková vlhkosť by mala byť 95 % alebo nižšia.
- Zariadenie umiestnite v suchom a dobre vetranom prostredí.
- Zariadenie NEVYSTAVUJTE silnému elektromagnetickému žiareniu ani prašnému prostrediu.
- Sošovkou NEMIERTE na slnko ani na žiadny iný silný zdroj svetla.
- Zariadenie nesmie byť vystavené kvapkajúcim ani striekajúcim kvapalinám a na zariadenie sa nesmú umiestňovať žiadne predmety naplnené kvapalinou, napríklad vázy.
- Na zariadenie sa nesmú umiestňovať žiadne zdroje otvoreného ohňa, napríklad zapálené sviečky.
- V nezvyčajných podmienkach, napríklad na vrchole hory, na kovovej veži alebo v lese, zabezpečte vstupný otvor zariadenia ochranou proti prepätiu.
- Nebezpečenstvo popálenia prstov pri manipulácii s časťami so symbolom . Pred manipuláciou s jednotlivými časťami zariadenia vypnite a počkajte pol hodiny.

Núdzový režim

- Ak zo zariadenia vychádza dym, zápach alebo hluk, ihneď vypnite napájanie, odpojte napájací kábel a obráťte sa na servisné stredisko.

POZNÁMKA O SÚLADE S PREDPISMI: Produkty z radu teplocitlivých prístrojov môžu podliehať exportnej regulácii v rôznych krajinách alebo regiónoch vrátane napríklad Spojených štátov amerických, Európskej únie, Spojeného kráľovstva prípadne aj krajín Wassaenaarskeho usporiadania. Ak máte v úmysle prenášať, exportovať alebo re-exportovať produkty z radu teplocitlivých prístrojov cez hranice medzi rôznymi krajinami, poraďte sa so svojim odborným expertom na legislatívu alebo súlad s predpismi alebo miestnymi úradmi verejnej správy, či existuje povinnosť mať exportné povolenie.



1 ပြင်ဆင်မှု

အခြေခံ လိုအပ်ချက်များ

- အီလက်ထရောနစ် လည်ပတ်အသုံးပြုပုံ အားလုံးသည် သင့်ဒေသတွင်းမှ လျှပ်စစ်ပစ္စည်းဆိုင်ရာ ဘေးကင်းလုံခြုံရေး စည်းမျဉ်းများ၊ မီးဘေးကာကွယ်ရေး စည်းကမ်းချက်များနှင့် အခြားဆက်နွယ်ရာ စည်းကမ်းချက်များနှင့် အလုံးစုံ ကိုက်ညီရမည်။
- ပါကင်ဘူးထဲတွင် ပါဝင်သည့် ပစ္စည်းများကို စစ်ဆေးပြီး ပါကင်ဘူးထဲရှိ ကိရိယာ အကောင်းအတိုင်းဖြစ်ကြောင်းနှင့် တပ်ဆင်ရမည့် အစိတ်အပိုင်းအားလုံး ပါဝင်ကြောင်း အတည်ပြုပါ။
- အလုပ်ပတ်ဝန်းကျင် လိုအပ်ချက်များနှင့် အညီ စနစ်ကို အသုံးပြုပါ။

တပ်ဆင်မှု ပတ်ဝန်းကျင်ကို စစ်ဆေးခြင်း

- ကင်မရာနှင့် ဆက်စပ်ပစ္စည်းများ တပ်ဆင်ရန် လုံလောက်သော နေရာလွတ်ရှိကြောင်း သေချာပါစေ။
- နံရံသည် ကင်မရာနှင့် ထောက်အလေးချိန်၏ ၈ ဆကို

ကောင်းစွာခံနိုင်ရည်ရှိကြောင်း သေချာပါစေ

ကေဘယ်ကြိုးများ ပြင်ဆင်ခြင်း

- အမှန်တကယ် ကွန်ရက် လိုင်းအလျားအတွက် Cat5 (100 M အတွင်း) သို့မဟုတ် Cat6 (100 M အထက်) လိုအပ်ပါသည်။
- ကင်မရာက ပုံမှန် 12 DVC ပါဝါ ထုတ်လွှတ်မှုကို သုံးသည့်အခါ ပါဝါကြိုးမှာ အမေရိကန် ဝါယာ အတုတ် 18 သို့မဟုတ် အထက် ရှိသင့်သည်။ ကျော်ဖြတ်မှု အပိုင်းအတွက် ဖော်မြူလာ S (မီလီမီတာ²) နှင့် အကာမပါသော ဝါယာ၏ ပိုလျှော်မှု အဝေးဆုံး အကွာအဝေး L (မီတာ) မှာ L=50xS ဖြစ်သည်။
- ပိုလျှော်မှု အကွာအဝေးပေါ် မူတည်၍ ဝီဒီယိုကြိုးကို ရှေးချယ်ပါ။ ဝီဒီယိုသည် အနည်းဆုံး တောင်းဆိုမှု အဖြစ်- ခံမှု 75Ω၊ 100% အတွင်းသား ကြေးနီ ဆက်သွယ်ရေး ဝါယာ၊ 95% လွန်းတင် ကြေးနီ အကာ။

ပြင်ဆင်ရေး ကိရိယာများ

တပ်ဆင်ခြင်း မပြုမီ ကျေးဇူးပြု၍ တိုးချဲ့ဝက်အူများ၊ လျှပ်စစ်တူများ၊ လျှပ်စစ် ဖောက်တံများ၊ ခွများ၊ ဝက်အူလှည့်များ၊ လျှပ်စစ်ငုတ်များနှင့် ကွန်ရက် ကြိုးကဲ့သို့ လိုအပ်သော ကိရိယာများကို ပြင်ဆင်ပါ။

မူလ ပက်ကေ့ပါဝင်မှု

ကင်မရာကို ပါကင်ဖွင့်သည့်အခါ ပြန်လည် ပေးအပ်ခြင်း သို့မဟုတ် ကင်မရာ ပြုပြင်ခြင်းတို့အတွက် ကျေးဇူးပြု၍ မူလထည့်သွင်းမှုကို ပုံစံပျက်အောင် သေချာ ဖွင့်ပါ။ ပက်ကေ့ဖြင့် ကင်မရာကို ပြန်ထည့်နိုင်သည်။

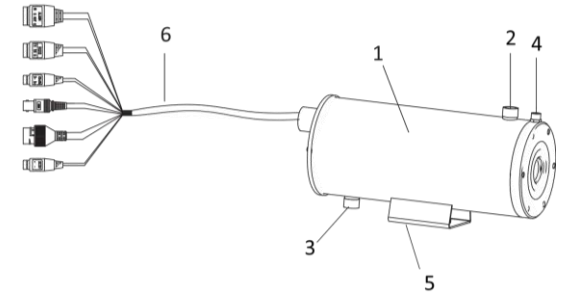
မှတ်ချက်-

မူလ ပက်ကေ့မဟုတ်သော ထည့်သွင်းမှုဖြင့် သယ်ယူပို့ဆောင်သည့်အခါ ဖြစ်ပေါ်သော ပျက်စီးမှုအတွက် သုံးစွဲသူ၏ တာဝန်ဖြစ်သည်။

2 ပုံသဏ္ဍာန် ဖော်ပြချက်

2.1 ပုံပန်း သွင်ပြင်

ကင်မရာ၏ ပုံပန်းသွင်ပြင်အတွက် အောက်ပါ ရုပ်ပုံကို ကိုးကားပါ။



ပုံ 2-1 ပုံပန်း သွင်ပြင်

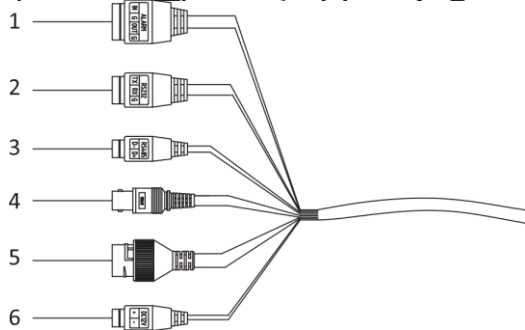
ဇယား 2-1 ဖော်ပြချက် ကိရိယာ

နံပါတ်	ရှင်းလင်းချက်
1	ကင်မရာ
2	G1/2 ရေ/လေ ထွက်ပေါက်
3	G1/2 ရေ/လေ ဝင်ပေါက်
4	G1/4 လေ ဝင်ပေါက်
5	အောက်ခြေအထိုင်

နံပါတ်	ရှင်းလင်းချက်
6	ကောဘယ်ကြိုးများ

2.2 ကောဘယ်ကြိုးဆိုင်ရာ ဖော်ပြချက်

ကင်မရာ၏ ကောဘယ်ကြိုးအဆက်များကို ပုံ 2-2 တွင် ပြထားသည်။



ပုံ 2-2 ကင်မရာ၏ ကောဘယ်ကြိုးများ

ဇယား 2-2 ကိရိယာ ဖော်ပြချက်

နံပါတ်	ရှင်းလင်းချက်
1	အချက်ပေးကိရိယာသွင်းအား/ထုတ်အား
2	RS-232 ကြိုး
3	RS-485 ကြိုး
4	CVBS ကြိုး

နံပါတ်	ရှင်းလင်းချက်
5	RJ45 ကွန်ရက် ကြိုး
6	ပါဝါကြိုး

3 တပ်ဆင်ခြင်း

3.1 ဝါယာ တပ်ဆင်ခြင်း

ဝါယာများ တပ်ဆင်ရန် စီစဉ်သည့်အခါတွင် တပ်ဆင်မှု ပတ်ဝန်းကျင်နှင့် ကိရိယာ၏ အနေအထားကို ကျေးဇူးပြု၍ အပြည့်အဝ ထည့်သွင်းစဉ်းစားပါ။ တည်ငြိမ်သော ပါဝါ ပေးသွင်းမှုနှင့် ဆစ်ကနယ် ပိုလျှပ်မှု သေချာစေရန်အတွက် ကျေးဇူးပြု၍ အောက်ပါ စည်းမျဉ်းစည်းကမ်းများကို အနီးကပ် လိုက်နာပါ။

- ဝါယာ တပ်ဆင်ခြင်း မပြုမီတွင် ဝါယာ အကွာအဝေး၊ ဝါယာ တပ်ဆင်မှု ပတ်ဝန်းကျင်၊ လျှပ်စစ်သံလိုက် စက်ကွင်း နောက်ယိုက်မှု အစရှိသည်တို့ အပါအဝင် တပ်ဆင်မှု ပတ်ဝန်းကျင်ကို အတည်ပြုပါ။
- ဝါယာအတွက် လိုအပ်သော ဗို့အားသည် ကိရိယာက လိုအပ်သော ဗို့အားထက် များရန်လိုသည် သို့မဟုတ် ဗို့အား မရှိသည့်အခါတွင် ကိရိယာသည် ပုံမှန် အလုပ်လုပ်နိုင်မည်။
- ဝါယာ ဆက်သွယ်မှုများအတွက် တစ်ခုထဲနဲ့ အပြည့်ရသည့် ကောဘယ်ကြိုးကို သုံးရန် အကြံပြုသည်။ သို့မဟုတ်ပါက ကောဘယ်ကြိုးဆက်နေရာများကို ကာကွယ်မှု လုပ်ရန် အားဖြည့် လုပ်ငန်းစဉ်များ လုပ်ရန် လိုလိမ့်မည်။ သို့မဟုတ်ပါက ကိရိယာသည် လျှပ်စီးပတ်လမ်း အိုမင်းမှုကြောင့် ပုံမှန်အလုပ်မလုပ် ဖြစ်နိုင်သည်။
- ကိရိယာ၏ ကောဘယ်ကြိုးများကို သေချာစွာ အကာအကွယ်ရှိအောင် လုပ်ထားပြီး ဝါယာ တပ်ဆင်နေစဉ်အတွင်း အားဖြည့်မှုနှင့် ကာကွယ်မှု လုပ်ဆောင်ချက်များကို လုပ်ပါ။

- ကောဘယ်ကြိုးများကို ပစ်ချခြင်းနှင့် သံလိုက်ကွင်း ပျက်စီးမှုရှောင်ပါ သို့မဟုတ် ကိရိယာသည် ပုံမှန်မဟုတ်ပဲ အလုပ်လုပ်လိမ့်မည်။
- ကောဘယ်ကြိုးများ ရှည်လွန်းခြင်း သို့မဟုတ် တင်းလွန်း၍ ဆွဲထားခြင်းမျိုး မဖြစ်စေရန် ဂရုစိုက်ပါ။
- ဝါယာ ဆက်သွယ်ခြင်းကို ကျွမ်းကျင်သော ပညာရှင်ဖြင့်သာ လုပ်ဆောင်သင့်သည်။ ကိရိယာက ပုံမှန် အလုပ်မလုပ်သော အခါ အထက်ပါ အချက်အလက်ကို ပြဿနာ ရှာဖွေရာတွင် ထည့်သွင်း စစ်ဆေးနိုင်သည်။

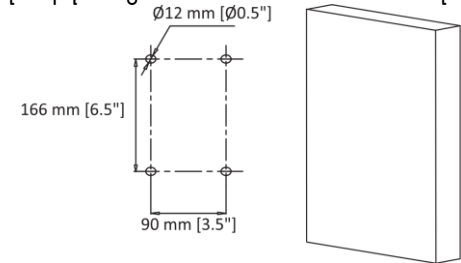
3.2 ကင်မရာ တပ်ဆင်ခြင်း

မစတင်မီ-

ပါကင်ဘူးထဲတွင် ဒေါက်တိုင်ကို ထည့်ပေးမထားပါ။ ယင်းကို ကျေးဇူးပြု၍ သီးခြား ဝယ်ပါ။

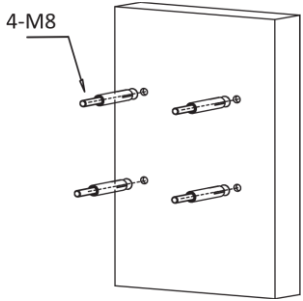
အဆင့်များ-

1. နံရံကပ် အထိုင်ကွင်း နမူနာတွင် ပါသော အတိုင်းအတာများ အတိုင်း နံရံပေါ်တွင် အပေါက်လေးပေါက် ဖောက်လိုက်ပါ။



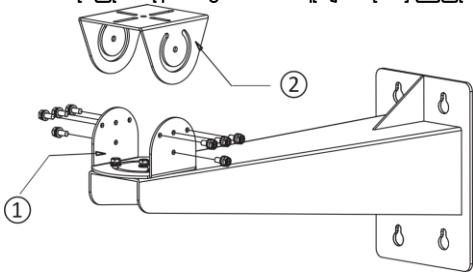
ပုံ 3-1 နံရံပေါ်တွင် အပေါက်များဖောက်ပါ။

2. အပေါက်များထဲသို့ M8 ဝက်အူများကို လှည့်ထည့်ပါ။



ပုံ 3-2 အပေါက်များထဲသို့ M8 ဝက်အူများကို လှည့်ထည့်ပါ။

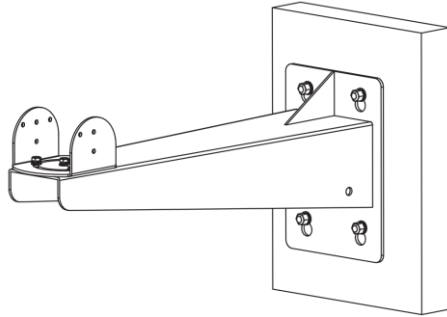
3. PT အဆက်ကို ဖြုတ်ရန်အတွက် ဝက်အူများကို လှည့်ဖြုတ်ပါ။



ပုံ 3-3 PT အဆက်ကို ဖြုတ်ပါ

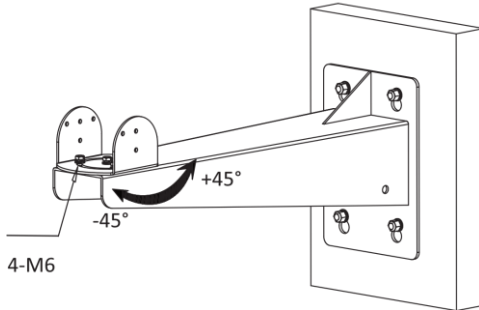
မှတ်ချက်- ①: PT အဆက် အောက်ခြေ၊ ②: PT အဆက် အပေါ်ပိုင်း

4. ကွင်းတွင် ပါသော အပေါက်လေးပေါက်ကို နံရံတွင် ရှိနေသော M8 ဝက်အူ လေးခုနှင့် ချိန်လိုက်ပါ။ ထို့နောက် ကွင်းကို နံရံတွင် တပ်ဆင်လိုက်ပြီး ဝက်အူများကို ကြပ်ပါ။



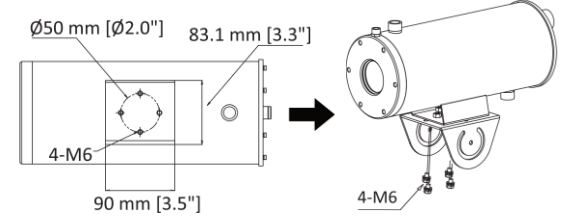
ပုံ 3-4 အထိုင်ကွင်း တပ်ဆင်ပါ

5. PT အဆက် အောက်ခြေရှိ M6 ဝက်အူ လေးလုံးကို လှည့်ပြီး လျော့ထားပါ။ မှည့်မှု စောင်းရမည့်ကို ချိန်ပြီးနောက် ဝက်အူများကို ပြန်ကြပ်လိုက်ပါ။ စောင်းရမည့် ထောင့်မှာ -45° မှ 45° အတွင်း ဖြစ်သည်။



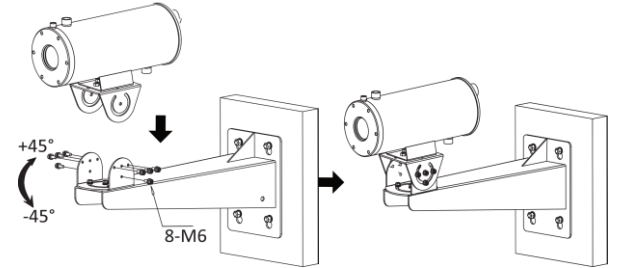
ပုံ 3-5 တစောင်းထောင့်ကို ချိန်ပါ။

6. PT အဆက် အပေါ်ပိုင်းနှင့် ကင်မရာ၏ အထိုင်ကွင်း အောက်ခြေတို့ကို M6 ဝက်အူ လေးလုံးနှင့် တပ်ဆင်ပါ။



ပုံ 3-6 PT အဆက် ထိပ်ပိုင်းနှင့် ကင်မရာကို တပ်ဆင်ပါ

7. M6 ဝက်အူများကို လှည့်ထည့်ပါ။ ထို့နောက် ကင်မရာ၏ တစောင်းထောင့်ကို ချိန်ပါ။ ချိန်ပြီးသည့်အခါတွင် ဝက်အူများကို ကြပ်ပါ။ စောင်းရမည့် ထောင့်မှာ -45° မှ 45° အတွင်း ဖြစ်သည်။



ပုံ 3-7 အစောင်းထောင့်ကို ချိန်ပါ

3.3 တပ်ဆင်မှုကို အအေးခံခြင်းနှင့် ဖုံများ ဖယ်ရှားခြင်း

ကိရိယာကို အပူချိန်မြင့် ပတ်ဝန်းကျင်တွင် အလုပ်လုပ်စေ ပြီးပါက အပူခံ ကင်မရာ မော်ဂျူးကို လေ သို့မဟုတ် ရေ ဖြင့် အအေးခံရန်

လိုအပ်သည်။ ဖိုဖိုယာများခြင်း တပ်ဆင်မှုသည် ကိရိယာ၏ ဝင်းဒိုးမှ ဖိုဖိုယာ ဖယ်ရှားပေးပြီး ကိရိယာကို အအေးခံစေသောကြောင့် ပုံများကို ကြည့်လင်စေသည်။

မတင်မီ-

ကိရိယာ၏ အလုပ် ပတ်ဝန်းကျင်ကို မှတည့်၍ အအေးခံသည် နည်းလမ်းကို ရွေးချယ်ပါ။

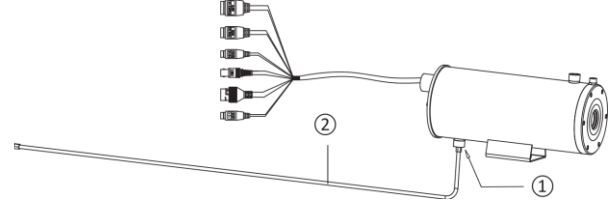
- အကယ်၍ အလုပ်လုပ်သည့် အပူချိန်သည် 50 °C နှင့် 100 °C (100 °C အပါအဝင်) ဖြစ်ပါက လေ အအေးခံခြင်း နည်းလမ်းကို ရွေးချယ်ပါ။
- အကယ်၍ အလုပ်လုပ်သည့် အပူချိန်သည် 100 °C နှင့် 200 °C (200 °C အပါအဝင်) ဖြစ်ပါက ရေ အအေးခံခြင်း နည်းလမ်းကို ရွေးချယ်ပါ။

3.3.1 လေအအေး ခံခြင်းနှင့် ဖိုဖိုယာမှု တပ်ဆင်ခြင်း

သင်သည် ကိရိယာ၏ အတွင်းခန်း အပူချိန် လျော့ချရန် ဖိသိပ်ထားသော လေကို အသုံးပြုနိုင်သည်။

အဆင့်များ-

1. ဖိသိပ်လေ ထွက်ပေါက်ကို ① ကိရိယာ အောက်ခြေရှိ (G1/2 လေဝင်ပေါက်) နှင့် ② (G1/2 ဝက်အူ ပိုက်) တို့နှင့် ဆက်သွယ်ပါ။

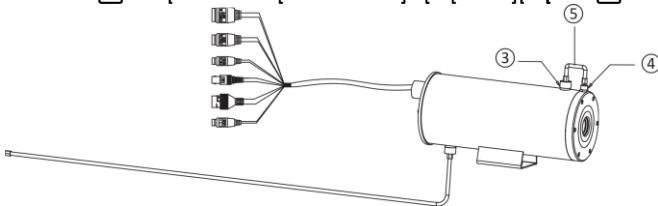


ပုံ 3-8 လေ အအေးခံရန် အတွက် ပိုက် ဆက်သွယ်ခြင်း

မှတ်ချက်-

ပက်ကောတွင်ပါသော ဝက်အူ တပ်ထားသော ပိုက်၏ အရှည်မှာ 1 မီတာ ဖြစ်ပြီး အမှန်တကယ် တပ်ဆင်မှု အတွက် လိုအပ်ချက်နှင့် အညီ ပိုက်အရှည်ကို သင်ဝယ်ယူ နိုင်သည်။

2. ③ (G1/2 လေထွက်ပေါက်) နှင့် ④ (G1/4 လေဝင်ပေါက်) တို့ကို ⑤ (အဒက်ပတ်) ဖြင့် ဆက်သွယ်ပါ။ ထို့နောက် ဖိသိပ်ထားသော လေသည် ကိရိယာ၏ ဝင်းဒိုးပေါက် ပေါ်မှ ဖိုဖိုယာကို ဖယ်ရှားနိုင်သည်။



ပုံ 3-9 ဖိုဖိုယာမှု တပ်ဆင်ခြင်း

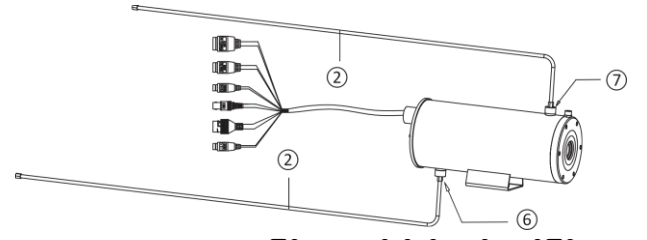
3. အပူ ကာ ပစ္စည်းများဖြင့် ဝက်အူတပ်ထားသော ပိုက်ကို ပတ်ပါ။ အေရိုဂျဲ နှင့် အလှူမိန့်ယမ် ဆီလီကိတ်တို့ကို သုံးရန် အကြံပြုသည်။

3.3.2 ရေ အအေးခံခြင်းနှင့် ဖိုဖိုယာမှု တပ်ဆင်ခြင်း

သင်သည် ကိရိယာ၏ အတွင်းခန်း အပူချိန် လျော့ချရန် အအေးခံရေကို အသုံးပြုနိုင်သည်။

အဆင့်များ-

1. အအေးခံရေ ထွက်ပေါက်ကို ⑥ ကိရိယာ အောက်ခြေရှိ (G1/2 ရေဝင်ပေါက်) နှင့် ② (ဝက်အူတပ်ထားသော G1/2 ပိုက်တစ်ခု) နှင့် ဆက်သွယ်ပါ။ ထို့နောက် အနောက်ရေ ဝင်ပေါက်ကို ⑦ ကိရိယာ အပေါ်ပိုင်းတွင်ရှိ (G1/2 ရေထွက်ပေါက်) နှင့် ② (အခြား ဝက်အူတပ်ထားသော G1/2 ပိုက်) နှင့် ဆက်သွယ်ပါ။

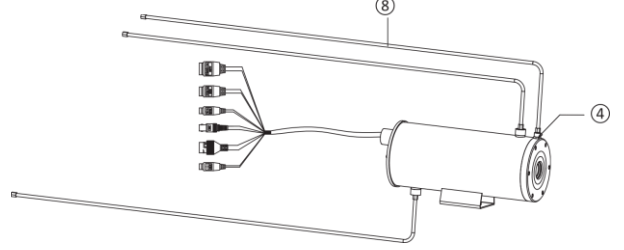


ပုံ 3-10 ရေ အအေးခံခြင်း အတွက် ပိုက်ဆက်သွယ်ခြင်း။

မှတ်ချက်-

ပိုက်၏ အဆုံးရှိ အပိတ် ဂတ်စကက်များ သေချာစွာ တပ်ဆင်ထားခြင်း ရှိမရှိ စစ်ဆေးပါ။ သို့မဟုတ်ပါက ရေလုံသော လုပ်ငန်းအပေါ် သက်ရောက်မှုရှိနိုင်သည်။

2. ဖိသိပ်လေ ထွက်ပေါက်ကို ④ ကိရိယာ အပေါ်ပိုင်းရှိ (G1/4 လေ ဝင်ပေါက်) နှင့် ⑧ (G1/4 ဝက်အူတပ်ထားသော ပိုက်) တို့နှင့် ဆက်သွယ်ပါ။ ထို့နောက် ကိရိယာ ဝင်းဒိုးပေါ်တွင်ရှိ ဖိုဖိုယာကို ဖိသိပ်လေက ဖယ်ရှားပေးနိုင်သည်။



ပုံ 3-11 ဖိုဖိုယာမှု တပ်ဆင်ခြင်း

မှတ်ချက်-

ပက်ကေတွင်ပါသော ဝက်အူ တပ်ထားသော ပိုက်၏ အရှည်မှာ 1 မီတာ ဖြစ်ပြီး အမှန်တကယ် တပ်ဆင်မှု အတွက် လိုအပ်ချက်နှင့် အညီ ပိုက်အရှည်ကို သင်ဝယ်ယူ နိုင်သည်။

3. ဝက်အူတပ်ထားသော ပိုက် သုံးခုကို အပူကာ ပစ္စည်းများဖြင့် ပတ်ထားပါ။ အေရိုဂျဲ နှင့် အလူမီနီယမ် ဆီလီကိတ်တို့ကို သုံးရန် အကြံပြုသည်။

4 ကွန်ရက်ကင်မရာကို စတင်သက်ဝင်ပြီး သုံးစွဲခြင်း

www.hikmicrotech.com သို့ သွားရောက်ပြီး HikMICRO Studio ကို ဒေါင်းလုဒ် ဆွဲပြီး ထည့်သွင်းပါ။ အသေးစိတ် လည်ပတ်မှု အတွက် ကီရီယာ၏ သုံးစွဲသူ လက်စွဲ စာအုပ်ကို ကိုးကားပါ။


ဥပဒေဆိုင်ရာ အချက်အလက်များ

©2022 Hangzhou Microimage Software Co., Ltd. မှပိုင်ခွင့်ရယူထားသည်။

ဤလမ်းညွှန်အကြောင်း

ဤလမ်းညွှန်တွင် ထုတ်ကုန်ပစ္စည်းအား အသုံးပြုခြင်းနှင့် စီမံခြင်းဆိုင်ရာ ညွှန်ကြားချက်များ ပါရှိသည်။ ဤလမ်းညွှန်ပါ ရုပ်ပုံများ၊ ပုံပြုကားချပ်များ၊ စာတပ်များနှင့် အခြားသတင်းအချက်အလက် အားလုံးသည် ဖော်ပြရန်၊ ရှင်းပြရန်အတွက်သာ ထည့်သွင်းထားခြင်း ဖြစ်ပါသည်။ ဤလမ်းညွှန်ပါ သတင်းအချက်အလက်များကို ဖမ်းဝဲ အပ်ဒီပလုဒ်ခြင်းကြောင့်ဖြစ်စေ၊ အခြားအကြောင်းရင်းများကြောင့်ဖြစ်စေ ကြိုတင်အသိပေးခြင်း မရှိဘဲ ပြောင်းလဲနိုင်သည်။ ဤလမ်းညွှန်၏ နောက်ဆုံးရလဒ်ကို HikMICRO ဝက်ဘ်ဆိုက် (www.hikmicrotech.com/) တွင် ရှာကြည့်နိုင်ပါသည်။ ယခုထုတ်ကုန်ပစ္စည်းအားကူညီထောက်မပေးတွင် လေ့ကျင့်မှုရှုထောင့်သော ကျွမ်းကျင်သူများ၏ လမ်းညွှန်နှင့် အထောက်အပံ့တို့နှင့်အညီ ဤလမ်းညွှန်ကို အသုံးပြုပါ။

ကုန်ပစ္စည်း အမှတ်တံဆိပ်များအား အသိအမှတ်ပြုခြင်း

 နှင့် အခြား HikMICRO ၏ ကုန်ပစ္စည်း အမှတ်တံဆိပ်များနှင့် လိုဂိုများသည် အမျိုးမျိုးသော တရားစီရင်ပိုင်ခွင့်များတွင် HikMICRO ၏ ပိုင်ဆိုင်မှုများ ဖြစ်သည်။ ဖော်ပြထားသည့် အခြား ကုန်ပစ္စည်း အမှတ်တံဆိပ်များနှင့် လိုဂိုများသည် ၎င်းတို့၏ သက်ဆိုင်ရာ ပိုင်ရှင်များ၏ ပိုင်ဆိုင်မှုများ ဖြစ်ကြပါသည်။

ငြင်းဆိုချက်


အကျိုးဝင်သည် သက်ဆိုင်သောဥပဒေက ခွင့်ပြုထားသည့် အမြင့်ဆုံး အတိုင်းအတာဖြင့် ဤလက်စွဲစာအုပ်နှင့် ဖော်ပြထားသော ထုတ်ကုန်ကို ၎င်း၏ စက်ပစ္စည်းများ၊ ဆော့ဖ်ဝဲနှင့် ဖမ်းဝဲများနှင့်အတူ “ယင်းအတိုင်း” နှင့် “အမှားအယွင်းများအားလုံးနှင့်အတူ” ဖော်ပြထားသည်။ HikMICRO သည် ကုန်သွယ်မှု၊ ကုန်သွယ်နိုင်စွမ်း၊ ကျေနပ်လောက်ဖွယ် အရည်အသွေး၊ သို့မဟုတ် သီးခြားရည်ရွယ်ချက် တစ်စုံတစ်ခုအတွက် ကြိုဆိုမှုများ မရှိခြင်း အပါအဝင် မည်သည့် အာမခံချက်များကို အတိအလင်း ဖြစ်စေ သွယ်ဝိုက်၍ ဖြစ်စေ ပေးထားခြင်း မရှိပါ။ ကုန်ပစ္စည်းအား အသုံးပြုပါက သင့်ဘာသာသင် တာဝန်ယူ ရမည်။ မည်သည့်အခြေအနေတွင်မဆို စာချုပ်ချိုးဖောက်မှုကြောင့်ဖြစ်စေ၊ အကျိုးပျက်စီးခြင်းဖြစ်စေ (ပေါ့လျော့မှု အပါအဝင်)၊ ထုတ်ကုန်ပစ္စည်း ပြုသနာ ကြောင့်ဖြစ်စေ၊ သို့မဟုတ်ပါက ဤထုတ်ကုန်ပစ္စည်းအား အသုံးပြုမှုကြောင့် ဖြစ်စေ စီးပွားရေးလုပ်ငန်း အကျိုးအမြတ် ဆုံးရှုံးမှု သို့မဟုတ် အချက်အလက် ဆုံးရှုံးမှု၊ စနစ်များ ယိုယွင်းပျက်စီးမှု သို့မဟုတ် စာရွက်စာတမ်း ပျက်စီး ပျောက်ဆုံးမှုကြောင့် ထိခိုက်မှုများ အပါအဝင် အထူးတလည်၊ အကျိုးဆက်စပ်၍၊ မတော်တဆ သို့မဟုတ် တိုက်ရိုက် ထိခိုက်မှုများအတွက် ထိထိခိုက်မှု သို့မဟုတ် ဆုံးရှုံးမှုများအကြောင်း HikMICRO အား အကြံပြု အသိပေးပြီး ဖြစ်စေကာမူ HikMICRO မှ တာဝန်ယူမည် မဟုတ်ပါ။ အင်တာနက် သဘောသဘာဝအရ တည်ရှိသည့် လုံခြုံရေး ဘေးအန္တရာယ်များ ပေးနိုင်သည်ကို သင် အသိအမှတ်ပြုပြီး ပုံမှန်မဟုတ်သော လုပ်ငန်းလည်ပတ်မှု၊ ပုဂ္ဂိုလ်ရေးဆိုင်ရာ အချက်အလက် ပေါက်ကြားမှု သို့မဟုတ် သို့သော် တိုက်ခိုက်မှုများ၊ ဟက်ကတ်တိုက်ခိုက်မှုများ၊ စိုင်းရပ်စ် ကူးစက်မှု သို့မဟုတ် အခြား အင်တာနက် လုံခြုံရေး အန္တရာယ်များ၏ ရလဒ်အဖြစ် ဖြစ်ပေါ်လာသော အခြားပျက်စီးမှုများ၊ အပေါ် HikMICRO သည် တာဝန်ယူလိမ့်မည်မဟုတ်ပါ။ သို့ရာတွင် HikMICRO သည် လိုအပ်ပါက နည်းပညာပံ့ပိုးမှုကို အချိန်နှင့် တစ်ပြေးညီပေးသွားမည်။ သင်သည် အကျိုးဝင်သော ဥပဒေများနှင့် အညီ ဤကုန်ပစ္စည်းကို အသုံးပြုရန် သဘောတူညီပြီး သင်၏ အသုံးပြုမှုသည် အကျိုးဝင်သော ဥပဒေနှင့် ကိုက်ညီစေရန် သင်က လုံးဝ တာဝန်ခံရမည် ဖြစ်သည်။ အထူးသဖြင့် သင်သည် ဤကုန်ပစ္စည်းကို အသုံးပြုရာတွင် အမှားပြုသည်အခါ အခွင့်အရေးများ၊ အသိပညာ ပိုင်ဆိုင်မှု အခွင့်အရေးများ သို့မဟုတ်


အချက်အလက် ကာကွယ်ရေး နှင့် အခြား ပုဂ္ဂိုလ်ရေး ဆိုင်ရာ အချက်အလက် လုံခြုံမှု အခွင့်အရေးများ အပါအဝင် ဖြစ်သော်လည်း ယင်းတို့သာ အကန့်အသတ်မဟုတ်ဘဲ အပြင်အပ လူပုဂ္ဂိုလ် များ၏ အခွင့်အရေးများကို ချိုးဖောက်သော ပုံစံဖြင့် အသုံးပြုခြင်း မပြုရန် သင့်တွင် တာဝန်ရှိသည်။ လူ့အစုအပြုံလိုက် သေကြေပျက်စီးစေနိုင်သော လက်နက်များ တီထွင် ဖန်တီးခြင်း သို့မဟုတ် ထုတ်လုပ်ခြင်း၊ စာတူ သို့မဟုတ် ဖိဝက်လက်နက်များ တီထွင်ဖန်တီးခြင်း သို့မဟုတ် ထုတ်လုပ်ခြင်း၊ မည်သည့် ပေါက်ကွဲစေတတ်သော နူးကလီးယား လက်နက် သို့မဟုတ် ဘေးကင်းလုံခြုံမှု မရှိသော နူးကလီးယား လောင်စာ သံသရာတို့နှင့် သက်ဆိုင်သော အခြေအနေတွင် သို့မဟုတ် လူ့အခွင့်အရေး ချိုးဖောက်မှုကို ပံ့ပိုးသော လုပ်ဆောင်မှု တစ်စုံတစ်ရာ တို့ အပါအဝင် မည်သည့် အဆုံးသတ် အသုံးပြုမှု အတွက်ကိုမဆို သင်သည် ဤကုန်ပစ္စည်းကို အသုံးပြုခြင်း မပြုရပါ။ ဤလမ်းညွှန်နှင့် သက်ဆိုင်ရာ ဥပဒေတို့အကြား ကွဲလွဲမှုများ ရှိခဲ့ပါက ဥပဒေပါ ပြဌာန်းချက်ကဲ့သို့ အတည်ယူရမည်။


စည်းကမ်းချက်ဆိုင်ရာ အချက်အလက်များ

ဤအပိုဒ်များသည် သက်ဆိုင်ရာ အမှတ်အသား သို့မဟုတ် အချက်အလက်များ ပါရှိသော ထုတ်ကုန်များနှင့်သာ သက်ဆိုင်ပါသည်။

EU စည်းကမ်းချက် ကိုက်ညီမှုဆိုင်ရာ ကြေငြာချက်

 ဤထုတ်ကုန်ပစ္စည်းနှင့် (အကျိုးဝင်ပါက) အတူပါရှိသော အပိုပစ္စည်းများကို “CE” အမှတ်အသားဖြင့် မှတ်သားထားပြီး EMC ညွှန်ကြားချက် 2014/30/EU၊ 2011/65/EU တို့တွင် ဖော်ပြထားသည့် သက်ဆိုင်သော ချိန်ညှိပြီး ဥပဒေပစ်နှုန်းများနှင့် ကိုက်ညီပါသည်။

 2012/19/EU (WEEE ညွှန်ကြားချက်)- ဤသင်္ကေတ ကပ်ထားသည့် ထုတ်ကုန်များကို ဥပဒေပသိမဝေအတွင်း ရောနှောစည်ပင်အမှိုက်အနေဖြင့် စွန့်ပစ်နိုင်ခြင်း မရှိပါ။ သေချာစွာ စီမံခန့်ခွဲမှုလုပ်ငန်းအတွက် ဤထုတ်ကုန်ပစ္စည်းကို အလားတူ ပစ္စည်းအသစ်တစ်ခု ဝယ်ယူချိန်တွင် သင့်နယ်ဒ် ပစ္စည်းရောင်းချသူထံ ပြန်ပေးပါ သို့မဟုတ် သတ်မှတ်ထားသည့် ပစ္စည်းစုဆောင်းသော နေရာများ၌ စွန့်ပစ်ပါ။ ပိုမိုသိရှိလိုပါက www.recylethis.info တွင်ကြည့်ပါ။

 2006/66/EC (ဘက်ထရီဆိုင်ရာ ညွှန်ကြားချက်)- ဤထုတ်ကုန်ပစ္စည်းတွင် ဥပဒေပသိမဝေအတွင်း ရောနှော စည်ပင်အမှိုက်အနေဖြင့် စွန့်ပစ်နိုင်ခြင်း မရှိသည့် ဘက်ထရီ တစ်လုံး ပါဝင်နေပါသည်။ ဘက်ထရီအတွက် သီးသန့်အချက်

အလက်များကို ထုတ်ကုန်ပစ္စည်းပါ စာရွက်စာတမ်းများ၌ ကြည့်ပါ။ ဤဘက်ထရီကို ကတ်ဒီအီယမ် (Cd)၊ ဒဲ (Pb) သို့မဟုတ် ပြွဒါး (Hg) ဟု ညွှန်ပြမည့် စွန့်ပစ်ခြင်းပါဝင်နိုင်ကြောင်း ဤသင်္ကေတဖြင့် မှတ်သားထားပါသည်။ သေချာစွာ ရှိဆိုင်ကယ်လုပ်ရန်အတွက် ဤဘက်ထရီကို သင့်နယ်ဒ် ပစ္စည်း ရောင်းချသူထံ ပြန်ပေးပါ သို့မဟုတ် သတ်မှတ်ထားသည့် စုဆောင်းသော နေရာ၌ စွန့်ပစ်ပါ။ ထပ်မံသိလိုသည်များ ရှိပါက - www.recyclethis.info။

ဘေးကင်းလုံခြုံရေးဆိုင်ရာ ညွှန်ကြားချက်

ဤညွှန်ကြားချက်များသည် အန္တရာယ် သို့မဟုတ် ပိုင်ဆိုင်မှုပစ္စည်းပျောက်ဆုံးမှုမှ ရှောင်ရှားနိုင်ရန်အတွက် အသုံးပြုသူအနေဖြင့် ထုတ်ကုန်ကို မှန်ကန်စွာအသုံးပြုနိုင်စေရန် ရည်ရွယ်ပါသည်။

ဥပဒေများနှင့် လုပ်ထုံးလုပ်နည်းများ

- ဤထုတ်ကုန်ပစ္စည်းအား အသုံးပြုရာတွင် နိုင်ငံနှင့် ဒေသတွင်းရှိ လျှပ်စစ်ဆိုင်ရာ ဘေးကင်းလုံခြုံရေး စည်းမျဉ်းအများကို အပြည့်အဝ လိုက်နာဆောင်ရွက်ရမည် ဖြစ်ပါသည်။

သယ်ယူပို့ဆောင်ရေး

- ကိရိယာကို သယ်ယူပို့ဆောင်ရာတွင် မူလ သို့မဟုတ် အလားတူ ထုပ်ပိုးမှုအတိုင်း ထားပါ။
- ကိရိယာအား အထုတ်မှဖောက်ပြီးနောက် ထုတ်ပိုးသည့် ပစ္စည်းများကို နောင်တွင်ပြန်သုံးနိုင်ရန် သိမ်းဆည်းထားပါ။ ချို့ယွင်းမှုတစ်ခုခု ဖြစ်ခဲ့ပါက ကိရိယာကို မရင်းအထုတ်အပိုဖြင့် စက်ရုံသို့ ပြန်ပို့ရန် လိုအပ်ပါသည်။ မူလအတိုင်းထုပ်ပိုးထားခြင်းမရှိသော သယ်ယူပို့ဆောင်မှုသည် စက်ပစ္စည်းအပေါ် ထိခိုက်ပျက်စီးမှုဖြစ်စေနိုင်ပြီး ကုမ္ပဏီမှ မည်သို့မျှ တာဝန်ယူမည်မဟုတ်ပါ။
- ထုတ်ကုန်ပစ္စည်းကို လွတ်မကျပါစေနှင့် သို့မဟုတ် တုန်ခါ၍ အကဲဖြစ်သွားခြင်း မဖြစ်စေပါနှင့်။ ကိရိယာကို သံလိုက်လမ်းကြောင်း အနှောင့်အယှက်များမှ လွတ်ကင်းရာတွင် ထားပါ။

ပါဝါ ပေးသွင်းမှု

- ကျေးဇူးပြု၍ အားသွင်းကိရိယာကို သင်ကိုယ်တိုင်ဝယ်ယူပါ။ အဝင် ဗို့အားသည် 1EC62368 စံညွှန်းအရ ကန့်သတ် ပါဝါ ရင်းမြစ် 12 VDC ရှိရမည်။ အသေးစိတ်အချက်အလက်များအတွက် နည်းပညာဆိုင်ရာ သတ်မှတ်ဖော်ပြချက်များကို ကျေးဇူးပြု၍ ကိုးကားပါ။
- ပလပ်ခေါင်းသည် ပါဝါ အပေါက်တွင် ကောင်းမွန်စွာ ချိတ်ဆက်ထားမှု ရှိမရှိကို သေချာ မြေချထားပါ။

- ပလပ်ပေါက်ကို ကိရိယာအနီးတွင် တပ်ဆင်ထားရမည်ဖြစ်ပြီး အလွယ်တကူ ထိုးချိတ်နိုင်ရမည် ဖြစ်ပါသည်။
- အလုပ်ပိုကြောင့် ဖြစ်ပေါ်လာသော အပူလွန်ခြင်း သို့မဟုတ် မီးဘေးအန္တရာယ်ကို ရှောင်ရှားရန် ပါဝါခုံ တစ်ခုတွင် ကိရိယာ အများအပြားကို မဆက်ထားပါနှင့်။
- ဆားကစ်ဘရိတ်ကာကို ပိတ်ပြီးသော်လည်း အကာရုံမပါသော အဝင်များ၏ သတ္တုအဆက်အသွယ်များကို မထိပါနှင့်။ လျှပ်စစ်အား ရှိနေဆဲဖြစ်ပါသည်။
- + တိုက်ရိုက်လျှပ်စီးကြောင်းနှင့် အသုံးပြုသော သို့မဟုတ် တိုက်ရိုက်လျှပ်စီးကြောင်း ထွက်သော ကိရိယာ၏ အပေါင်းငုတ်(များ)ကို ခွဲခြားမှတ်သားပါ။ - တိုက်ရိုက်လျှပ်စီးကြောင်းနှင့် အသုံးပြုသော သို့မဟုတ် တိုက်ရိုက်လျှပ်စီးကြောင်း ထွက်သော ကိရိယာ၏ အနှုတ်ငုတ်(များ)ကို ခွဲခြားမှတ်သားပါ။

ဘက်ထရီ

- သတိပြုရန် - မှန်ကန်မှုမရှိသော ဘက်ထရီအမျိုးအစားဖြင့် လဲမိပါက ပေါက်ကွဲမှုဖြစ်နိုင်ပါသည်။
- အသုံးပြုပြီး ဘက်ထရီများကို လမ်းညွှန်ချက်များနှင့်အညီ စွန့်ပစ်ပါ။
- ဘက်ထရီကို ပုံစံမမှန်ဘဲ မှားယွင်းသော အမျိုးအစားတစ်ခုဖြင့် အသစ်လဲခဲ့ပါက safeguard ပျက်စီးနိုင်သည် (ဥပမာအားဖြင့် အချို့သော လစ်သီယမ် ဘက်ထရီအမျိုးအစားများတွင်)။
- ဘက်ထရီကို ပေါက်ကွဲမှု ဖြစ်ပေါ်စေနိုင်သည့် မီးအတွင်းသို့ သို့မဟုတ် မီးဖိုအတွင်းအတွင်း သို့မဟုတ် စက်ပစ္စည်းသို့ ထုခြင်းဖြင့် သို့မဟုတ် ဖြတ်တောက်ခြင်းဖြင့် မစွန့်ပစ်ပါနှင့်။
- ဘက်ထရီကို အလွန်အမင်း မြင့်မားသည့် အပူချိန်ရှိသည့် ပတ်ဝန်းကျင်တွင် မထားပါနှင့်။ ပေါက်ကွဲမှု ဖြစ်နိုင်သည့် သို့မဟုတ် မီးလောင်လွယ်သည့် အရည် သို့မဟုတ် ဓာတ်ငွေ့များ ထွက်လာနိုင်ပါသည်။
- ဤဘက်ထရီကို အလွန်နိမ့်သည့် လေဖိအားနှင့် ထိတွေ့ခြင်း မရှိစေရ။ ပေါက်ကွဲမှု ဖြစ်နိုင်သည့် သို့မဟုတ် မီးလောင်လွယ်သည့် အရည် သို့မဟုတ် ဓာတ်ငွေ့များ ထွက်လာနိုင်ပါသည်။

တပ်ဆင်ခြင်း

- ကိရိယာကို မတည်ငြိမ်သော နေရာများတွင် မည်သည့်အခါမျှ တပ်ဆင်ခြင်း မပြုရပါ။ ဤကိရိယာ ပြုတ်ကျ၍ အနာတရ ဖြစ်ထန်စွာဖြစ်စေ၊ အသက်ဆုံးရှုံးသည်အထိ ဖြစ်စေ အန္တရာယ် ပြစ်စေနိုင်ပါသည်။
- ဤကိရိယာကို ငင်းနှင့်လိုက်ဖက်သော ဒေါက်များဖြင့်သာ အသုံးပြုရန်ဖြစ်ပါသည်။ အခြား (လက်တွန်းလှည်းများ၊ စင်များ သို့မဟုတ် သယ်ဆောင်သည့်စင်များ) ပစ္စည်းများနှင့် အသုံးပြုခြင်းကြောင့်

မတည်မငြိမ်ဖြစ်ပြီး အနာတရ ဖြစ်စေနိုင်ပါသည်။

စနစ် လုံခြုံရေး

- အင်တာနက်၏သဘောသဘာဝအရ မူလအားဖြင့် လုံခြုံရေးဆိုင်ရာအန္တရာယ်များကို ဖြစ်စေနိုင်သည်ကို သင်သိရှိနားလည်ထားပြီးဖြစ်ရာ ဆိုက်ဘာတိုက်ခိုက်မှု၊ ဟက်ကာတိုက်ခိုက်မှုတို့ကြောင့်ဖြစ်သော ပုံမှန်မဟုတ်သော ဆောင်ရွက်မှု၊ ကိုယ်ရေးအချက်အလက်ကျိုးပေါက်မှု သို့မဟုတ် အခြားထိခိုက်မှုများအတွက် ကျွန်ုပ်တို့ကုမ္ပဏီမှ တာဝန်ယူမည်မဟုတ်ပါ။ သို့သော် ကျွန်ုပ်တို့ကုမ္ပဏီသည် လိုအပ်ပါက အချိန်နှင့်တစ်ပြေးညီ နည်းပညာအထောက်အပံ့ပေးမည်ဖြစ်ပါသည်။
- ကိရိယာအား အင်တာနက်သို့ ချိတ်ဆက်ထားလျှင် ကွန်ရက်လုံခြုံမှုဆိုင်ရာ ပြဿနာများ ဖြစ်နိုင်သည့်အတွက် ကိုယ်ရေးအချက်အလက် ကာကွယ်ရေးနှင့် အချက်အလက် လုံခြုံရေးတို့ကို လုပ်ဆောင်ပါ။ ကိရိယာတွင် ကွန်ရက်လုံခြုံရေး အန္တရာယ်များ ရှိနိုင်ပါက ကျွန်ုပ်တို့ထံ ဆက်သွယ်ပါ။
- သင့်အနေဖြင့် ဤကိရိယာနှင့် ပတ်သက်သည့် စကားဝှက်များနှင့် အခြားလုံခြုံရေး ဆက်တင်များကို ထိန်းသိမ်းသတ်မှတ်ရမည်ဖြစ်ပြီး အသုံးပြုသူအမည်နှင့် စကားဝှက်တို့ကို မှတ်သားထားရန် တာဝန်ရှိသည်ကို နားလည်ရန်လိုပါသည်။

ပြင်ဆင်ထိန်းသိမ်းခြင်း

- ကိရိယာ သေချာအလုပ်မလုပ်ပါက အရောင်းဆိုင် သို့မဟုတ် အနီးဆုံး ကြိုဆိုမှုစစ်ဆေးရေး စင်တာသို့ ဆက်သွယ်ပါ။ ခွင့်ပြုချက်မရှိဘဲ ပြင်ဆင်ခြင်း သို့မဟုတ် ထိန်းသိမ်းပြင်ဆင်ခြင်းကြောင့် ဖြစ်ပွားရသည့် မည်သည့်ပြဿနာအတွက်မဆို လုံးဝတာဝန်ယူမည် မဟုတ်ပါ။
- အချို့သော ကိရိယာ အစိတ်အပိုင်းများ (ဥပမာ- အီလက်ထရိုလိုက်တစ် စွမ်းရည်ထိန်း ပစ္စည်း) သည် ပုံမှန် လဲလှယ်မှု လုပ်ရန် လိုအပ်ပါသည်။ ပျမ်းမျှ သက်တမ်း ကွာခြားမှု ရှိသဖြင့် စစ်ဆေးရန် အကြံပြုပါသည်။ အသေးစိတ်အတွက် သင့်အား ပစ္စည်းရောင်းပေးသူအား ဆက်သွယ်ပါ။
- လိုအပ်ပါက စက်ကိရိယာကို အရက်ပြန်အနည်းငယ်သုံး၍ သန့်ရှင်းသောအဝတ်စဖြင့် ညင်သာစွာ သုတ်ပါ။
- ထုတ်လုပ်သူမှ သတ်မှတ်ထားခြင်းမရှိသောပုံစံဖြင့် ကိရိယာကို အသုံးပြုပါက စက်ပစ္စည်းတွင်ပါသော အကာအကွယ်ကို ထိခိုက်စေနိုင်ပါသည်။
- မီးလောင်ကျွမ်းမှု အန္တရာယ်ကို လျော့ချရန်အတွက် အမျိုးအစားနှင့် အဆင့်အတန်း တူညီသည့် ဖျူးဂျစ်သော လဲလှယ်ပေးရမည်။
- ကိရိယာ၏ စီရိယယ် ဆက်သွယ်မှု သည် အမှားပြင်ရန်အတွက်သာ အသုံးပြုပါသည်။

အသုံးပြုသည့် ပတ်ဝန်းကျင်

- လည်ပတ်လုပ်ဆောင်နေသော ပတ်ဝန်းကျင်သည် ကိရိယာအတွက် လိုအပ်ချက်များ ပြည့်မီစေရန် လုပ်ဆောင်ပါ။ တပ်ဆင်မှု စနစ်အပေါ် မှတည်၍၊ လည်ပတ်မှု အပူချိန်မှာ 0 °C မှ 200 °C (32 °F မှ 392 °F) နှင့် စိုထိုင်းစမှာ 95% နှင့် အောက် ဖြစ်ရမည်။
- စက်ပစ္စည်းကို ခြောက်သွေ့၍ လေဝင်လေထွက်ကောင်းသောပတ်ဝန်းကျင်တွင် ထားပါ။
- ကိရိယာကို လျှပ်စစ်သံလိုက် ရောင်ခြည် သို့မဟုတ် ဖိုတိုသော ပတ်ဝန်းကျင်များနှင့် မထိတွေ့စေပါနှင့်။
- မှန်ဘီလူးများကို နေ သို့မဟုတ် တောက်ပသော အလင်းရောင်ရှိရာသို့ မချိန်ပါနှင့်။
- ဤကိရိယာကို ရေစိမ့်ကျခြင်း သို့မဟုတ် ဖျန်းပတ်ခြင်းဖြန်းပတ်ခြင်းများနှင့် မထိစေရန်နှင့် ပန်းအုံးများ ကဲ့သို့သော အရည်ဖြည့်ထားသည့် ပစ္စည်းများကို ကိရိယာအပေါ်တွင် မတင်ရပါ။
- မီးထွန်းတားသည့် ဖယောင်းတိုင်များ ကဲ့သို့သော အကာအကွယ်မရှိသည့် မီးအရင်းအမြစ်များကို ကိရိယာအပေါ်တွင် မထားရပါ။
- တောင်ထိပ်၊ သံတာဝါတိုင်နှင့် သစ်တောများကဲ့သို့ အထူး အခြေအနေများအောက်တွင် ကိရိယာ၏ အဝင်ပေါက်တွင် ရုတ်တရက် လှုပ်ရှားမှု အထိန်းကို ထည့်ပေးပါ။
- သင်္ကေတပါသော အစိတ်အပိုင်းများကို ကိုင်တွယ်သည့်အခါ လက်ချောင်းများအပူလောင်နိုင်သည်။ အစိတ်အပိုင်းများကို မကိုင်တွယ်မီ ခလုတ်ပိတ်ပြီး အနည်းဆုံး တစ်နာရီခွဲ စောင့်ဆိုင်းပါ။

အရေးပေါ်

- ကိရိယာမှ မီးခိုးငွေ့၊ ညှော်နှံစသည် အနံ့၊ ဆူညံသံများ ထွက်လာလျှင် ပါဝါ ချက်ချင်းပိတ်၊ ပါဝါကော်ဘယ် ဖြုတ်ပြီး ပြုပြင်ရေးစင်တာသို့ ဆက်သွယ်ပါ။

လိုက်နာမှု သတိပေးချက်။ အပူဆိုင်ရာ အတွဲလိုက် ထုတ်ကုန်များသည် အမေရိကန် ပြည်ထောင်စု၊ ဥရောပ သမဂ္ဂ၊ ယူနိုက်တစ် ကင်းဒမ်း နှင့်/သို့ ဝါဆန်နာ စီမံမှု အဖွဲ့ဝင် နိုင်ငံများ အပါအဝင် ဖြစ်ပြီး ယင်းတို့သာ ဟု ကန့်သတ်ထားပုံ အမျိုးမျိုးသော နိုင်ငံများ သို့မဟုတ် ဒေသများ တွင် ပိုမိုကန့် ထိန်းချုပ်မှုများကို ကြုံတွေ့ ရနိုင်ပါသည်။ သင့်အနေဖြင့် အပူဆိုင်ရာ အတွဲလိုက် ထုတ်ကုန်များကို မတူညီသော နိုင်ငံများအကြား လွှဲပြောင်းခြင်း၊ တင်ပို့ခြင်း၊ ထပ်မံတင်ပို့ခြင်း လုပ်ရန် ရည်ရွယ်ပါက ပိုမိုကန့် လိုင်စင် လိုအပ်ချက် တစ်စုံတစ်ရာ လိုအပ်ခြင်းရှိမရှိကို ကျွမ်းကျင်သော ဥပဒေ သို့မဟုတ် စည်းမျဉ်းလိုက်နာမှု ကျွမ်းကျင်သူများ သို့မဟုတ် ဒေသခံအစိုးရ အာဏာပိုင်များနှင့် ကျေးဇူးပြု၍ တိုင်ပင်ပါ။

Türkçe

1 Hazırlık

Temel Gereksinimler

- Tüm elektronik işlemler elektrik güvenliği düzenlemeleri, yangın önleme düzenlemeleri ve yerel bölgenizdeki diğer ilgili düzenlemelere tamamen uygun olmalıdır.
- Paket içeriğini kontrol edin ve paketteki cihazın iyi durumda olduğundan ve tüm montaj parçalarının dahil edildiğinden emin olun.
- Sistemi, çalışma ortamı gereksinimine göre kullanın.

Montaj Ortamının Kontrol Edilmesi

- Kamerayı ve aksesuarları kurmak için yeterli alan olduğundan emin olun.
- Duvarın, kamera ve montaj düzeneği ağırlığının en az 8 katına dayanacak kadar güçlü olduğundan emin olun.

Kabloların Hazırlanması

- Asıl ağ bant genişliğine göre Cat5 (100 m'ye kadar) veya Cat6 (100 m üzeri) gereklidir.
- Kamera, standart 12 V DC güç kaynağı kullandığında güç kablosu, Amerikan kablo standardı 18 veya üzeri olmalıdır. Kesit S (mm²) ve çıplak telin maksimum aktarma mesafesi L (m) formülü L=50*S'dir.
- Video kablosunu, aktarma uzunluğuna göre seçin. Video, asgari gereksinimleri şu şekilde karşılamalıdır: 75Ω direnç; %100 bakır telli iletken kablo; %95 dokuma bakır blendaj.

Aletlerin Hazırlanması

Montaj işleminden önce lütfen çelik dübelleri, elektrikli darbeli matkap, anahtar, tornavida, kontrol kalemi ve ağ kablosu gibi gerekli aletleri hazır edin.

Orijinal Ambalaj

Kamerayı ambalajından çıkardıktan sonra kameranın geri veya onarıma gönderilmesi durumunda kullanmak üzere lütfen orijinal ambalajı uygun şekilde saklayın. Kamerayı, ambalajına koyabilirsiniz.

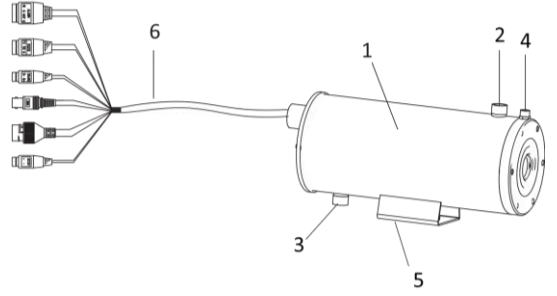
Not:

Orijinal olmayan paketle taşıma sırasında meydana gelebilecek hasarlardan kullanıcı sorumlu olacaktır.

2 Görünüm Açıklaması

2.1 Görünüm

Kameranın görünümü için aşağıdaki şekle bakın.



Şekil 2-1 Görünüm

Tablo 2-1 Cihaz Tanıtımı

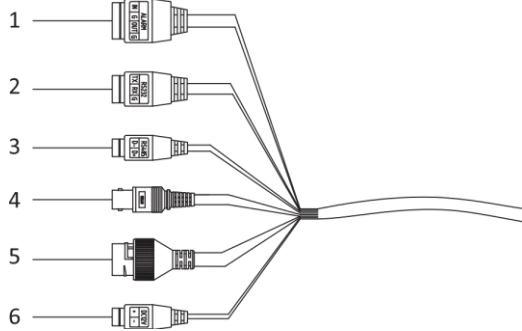
No.	Açıklama
-----	----------

1	Kamera
2	G1/2 Su/Hava Çıkışı
3	G1/2 Su/Hava Girişi
4	G1/4 Hava Girişi
5	Montaj Tabanı
6	Kablolar

2	RS-232 Kablosu
3	RS-485 Kablosu
4	CVBS Kablosu
5	RJ45 Ağ Kablosu
6	Elektrik Kablosu

2.2 Kablo Açıklaması

Kameranın kablo ara birimleri Şekil 2-20'de gösterilmektedir.



Şekil 2-2 Kamera Kabloları

Tablo 2-2 Cihaz Tanıtımı

No.	Açıklama
1	Alarm Giriş/Çıkış

3 Kurulum

3.1 Kablo Bağlantısı

Kablo bağlantı planlaması yaparken lütfen cihazın montaj ortamını ve konumunu tamamen dikkate alın. Dengeli bir güç kaynağı ve sinyal iletimi sağlamak için lütfen aşağıdaki kuralları yakından takip edin:

- Kablo bağlantısından önce kablo bağlantı mesafesi, kablo bağlantı ortamı, manyetik alan paraziti vb. dahil olmak üzere montaj ortamını kontrol edin.
- Kablonun anma gerilimi, cihazın gerektirdiğinden daha yüksek olmalıdır böylece gerilim dengesizliği meydana geldiğinde cihaz normal şekilde çalışabilir.
- Kablo bağlantısı için tek bir tam kablo kullanılması önerilir; kullanılmayacaksa iki kablo arasındaki kablo bağlantı noktasını korumak için takviye önlemleri alınmalıdır aksi takdirde devrenin eskimesi nedeniyle cihaz anormal şekilde çalışabilir.
- Cihaz kablolarının iyi korunduğundan emin olun ve kablo bağlantısı esnasında güçlendirici ve koruyucu önlemler alın.
- Kabloların üst üste binmesinden ve manyetik halkaya zarar vermekten kaçınin aksi takdirde cihaz anormal şekilde çalışabilir.
- Kabloların gereğinden fazla veya çok gergin olmadığından emin olun.

- Kablo bağlantıları, profesyonel teknisyenler tarafından yapılmalıdır. Cihaz normal şekilde çalışmıyorsa sorunu gidermek için yukarıdaki bilgileri kontrol edebilirsiniz.

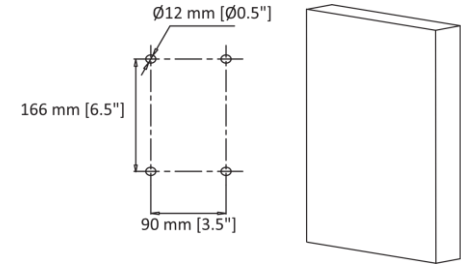
3.2 Kamera Montajı

Başlamadan önce:

Askı aparatı, paket içeriğine dahil değildir. Lütfen ayrı olarak satın alın.

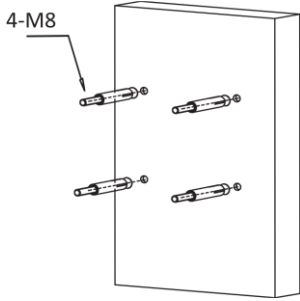
Adımlar:

1. Duvara montaj braket şablonunun boyutlarına uygun olarak duvara dört adet delik delin.



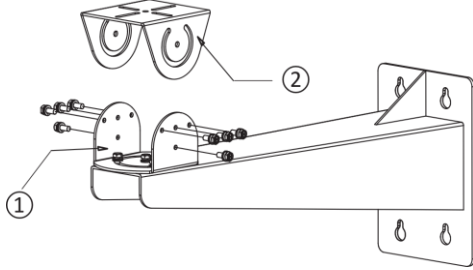
Şekil 3-1 Duvara Delikler Delin

2. Deliklere dört adet M8 vida yerleştirin.



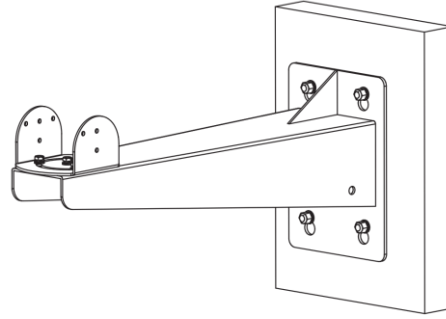
Şekil 3-2 Deliklere M8 Vida Yerleştirin

3. PT bağlantısını sökmek için vidaları gevşeterek çıkarın.



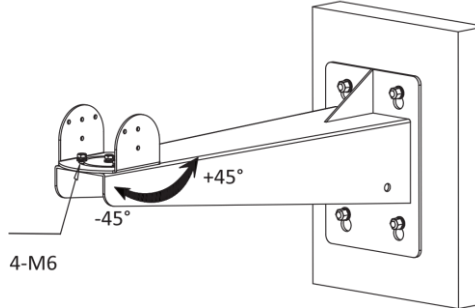
Şekil 3-3 PT Bağlantısını Sökün

Not: ①: PT Bağlantısı Alt Kısmı; ②: PT Bağlantısı Üst Kısmı
4. Braket üzerindeki dört adet deliği, duvardaki dört adet M8 vidayla hizalayın, braketin duvara takarak vidaları sıkın.



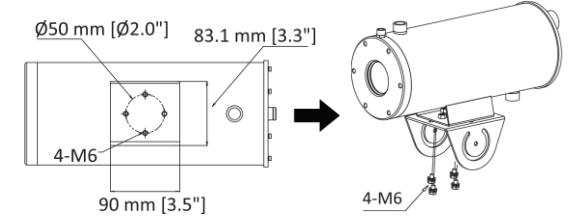
Şekil 3-4 Braketi Takın

5. Kaydırma açısını ayarlamak için PT bağlantı alt kısmındaki dört M6 vidayı gevşetin ve ayardan sonra vidaları sıkın. Kaydırma açısı -45° ile 45° arasındadır.



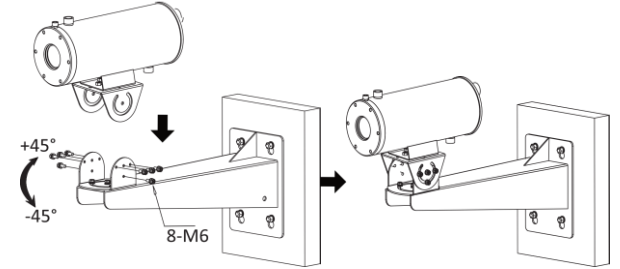
Şekil 3-5 Kaydırma Açısını Ayarlayın

6. PT bağlantısının üst kısmını dört adet M6 vidayla kameranın montaj tabanına takın.



Şekil 3-6 PT Bağlantısının Üst Kısmını Kamerayla Birlikte Takın

7. Sekiz adet M6 vidayı sıkarak kameranın eğim açısını ayarlayın. Ayarladıktan sonra vidaları sıkın. Eğim açısı -45° ile 45° arasındadır.



Şekil 3-7 Eğim Açısını Ayarlayın

3.3 Soğutma ve Toz Giderme Tesisi

Cihaz, yüksek sıcaklığa sahip bir ortamda çalışacaksa termal kamera modülünü soğutmak için havayla veya suyla soğutma gereklidir. Toz giderme tesisi, cihazın camından tozun giderilmesine yardımcı olur ve cihazı soğutur böylece görüntü daha net bir hale gelir.

Başlamadan önce:

Cihazın çalışma ortamına göre uygun bir soğutma yöntemi seçin.

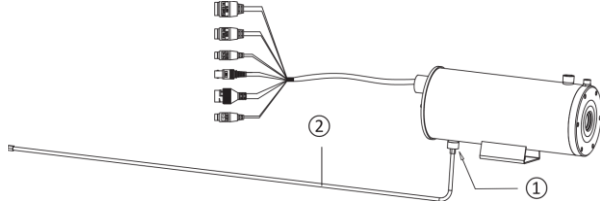
- Çalışma sıcaklığı 50 °C ile 100 °C (100 °C dahil) arasındaysa hava soğutmalı yöntemini seçin.
- Çalışma sıcaklığı 100 °C ile 200 °C (200 °C dahil) arasındaysa su soğutmalı yöntemini seçin.

3.3.1 Havayla Soğutma ve Toz Giderme Tesisatı

Cihazın boşluk sıcaklığını azaltmak için basınçlı hava verebilirsiniz.

Adımlar:

1. Basınçlı hava çıkışı ve cihazın alt kısmındaki ① numaralı (G1/2 hava girişi) parça ile ② numaralı (G1/2 vidalı boru) parçayı bağlayın.

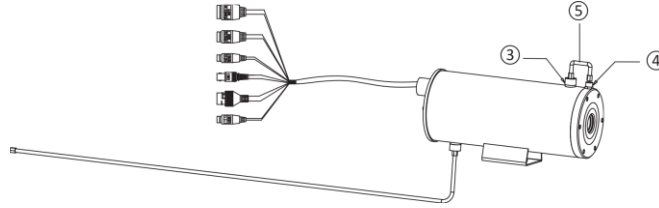


Şekil 3-8 Havayla Soğutma İçin Boru Bağlantısı

Not:

Ambalaj içerisinde bulunan vidalı borunun uzunluğu 1 m'dir, asıl montaj gereksinimine uygun bir boru satın alabilirsiniz.

2. ③ numaralı (G1/2 hava çıkışı) parçayı ve ④ numaralı (G1/4 hava girişi) parçayı ⑤ numaralı (adaptör) parçaya takın ardından basınçlı hava, cihazın camındaki tozu giderebilir.



Şekil 3-9 Toz Giderme Tesisatı

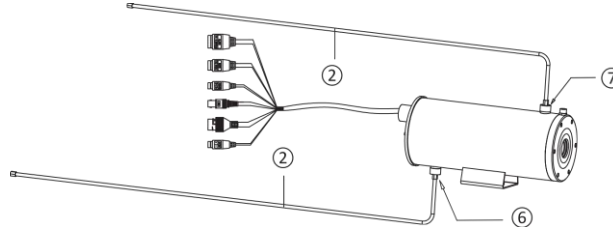
3. Vidalı boruyu termal yalıtım malzemeleriyle sarın. Aerojel ve alüminyum silikat tavsiye edilir.

3.3.2 Suyla Soğutma ve Toz Giderme Tesisatı

Cihazın boşluk sıcaklığını azaltmak için soğutma suyu verebilirsiniz.

Adımlar:

1. Soğutma suyunu ve cihazın alt kısmında bulunan ⑥ numaralı (G1/2 su girişi) parçayı ② numaralı (bir G1/2 vidalı boru) parçaya takın ve geri akış girişini ve cihazın üst kısmında bulunan ⑦ numaralı (G1/2 su çıkışı) parçayı ② numaralı (diğer G1/2 vidalı boru) parçaya takın.

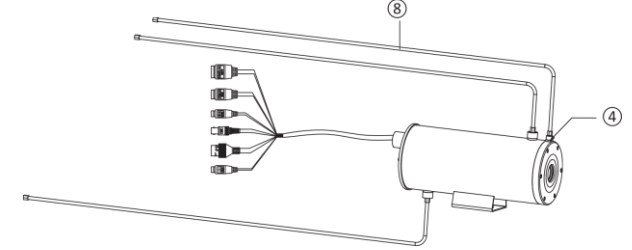


Şekil 3-10 Suyla Soğutma İçin Boru Bağlantısı

Not:

Boruların uçlarındaki sızdırmazlık contalarının iyi takıldığından emin olun aksi takdirde su geçirmezlik etkisi etkilenebilir.

2. Basınçlı hava çıkışı ve cihazın üst kısmında bulunan ④ numaralı (G1/4 hava girişi) parçayı ③ numaralı (G1/4 vidalı boru) parçaya takın ardından basınçlı hava, cihazın camındaki tozu giderebilir.



Şekil 3-11 Toz Giderme Tesisatı

Not:

Ambalaj içerisinde bulunan vidalı borunun uzunluğu 1 m'dir, asıl montaj gereksinimine uygun bir boru satın alabilirsiniz.

3. Üç vidalı boruyu, termal yalıtım malzemeleriyle sarın. Aerojel ve alüminyum silikat tavsiye edilir.

4 Ağ Kamerasını Etkinleştirme ve Erişme

HIKMICRO Studio uygulamasını indirerek yüklemek için www.hikmicrotech.com adresini ziyaret edin. Ayrıntılı işlem için cihazın kullanım kılavuzuna bakın.

Yasal Bilgiler


©2022 Hangzhou Microimage Software Co., Ltd. Tüm hakları saklıdır.

Bu Kılavuz hakkında

Kılavuz, Ürünün kullanımı ve yönetimi ile ilgili talimatları içerir. Resimler, çizelgeler, görüntüler ve buradaki diğer tüm bilgiler, yalnızca tanımlama ve açıklama amaçlıdır. Kılavuzda bulunan bilgiler, yazılım güncellemeleri veya başka nedenlerden dolayı önceden haber verilmeksizin değiştirilebilir. Lütfen bu Kılavuzun en son sürümü için HIKMICRO web sitesine (www.hikmicrotech.com/) bakın.

Lütfen bu Kılavuzu, Ürünü destekleme konusunda eğitilmiş profesyonellerin rehberliği ve yardımı ile kullanın.

Ticari Markalar Onayı

 ve diğer HIKMICRO ticari markaları ve logoları, çeşitli yargı alanlarında HIKMICRO'nun özellikleridir.

Bahsedilen diğer ticari markalar ve logolar ilgili sahiplerinin mülkiyetindedir.

Yasal Uyarı

YÜRÜRLÜKTEKİ YASALARIN İZİN VERDİĞİ AZAMI ÖLÇÜDE, BU KILAVUZ VE AÇIKLANAN ÜRÜN, DONANIMI, YAZILIMI VE ÜRÜN YAZILIMI İLE "OLDUĞU GİBİ" VE "TÜM ARIZALAR VE HATALAR İLE " SAĞLANIR. HIKMICRO, SINIRLAMA, SATILABİLİRLİK, KALİTE MEMNUNİYETİ VEYA BELİRLİ BİR AMAÇA UYGUNLUK DAHİL, AÇIK VEYA ZİMNİ HİÇBİR GARANTİ VERMEZ. ÜRÜNÜN SİZİN TARAFINIZDAN KULLANIMI KENDİ SORUMLULUĞUNUZDADIR. HIKMICRO HİÇBİR DURUMDA, BU ÜRÜNÜN KULLANIMI İLE BAĞLANTILI OLARAK, HIKMICRO BU TÜR HASARLARIN OLASILIĞI HAKKINDA BİLGİLENDİRİLMİŞ OLSA BİLE, İŞ KARLARININ KAYBI, İŞ KEŞİNTİSİ, VERİ KAYBI, SİSTEM KEŞİNTİSİ, BELGE KAYBI, SÖZLEŞMENİN İHLALİ (İHMAL DAHİL), ÜRÜN SORUMLULUĞU GİBİ ZARARLAR DA DAHİL OLMAK ÜZERE, ÖZEL, SONUÇSAL, TESADÜFİ VEYA DOLAYLI ZARARLAR İÇİN SİZE KARŞI SORUMLU OLMAYACAKTIR.

HIKMICRO'NUN, İNTERNETİNİN DOĞAL GÜVENLİK RİSKLERİNİN GETİRDİĞİ SİBER SALDIRI, HACKER SALDIRISI, HACKER SALDIRISI, VİRÜS BULAŞMASINDAN KAYNAKLANAN ANORMAL ÇALIŞMA, GİZLİLİK SIZINTISI VEYA DİĞER ZARARLARDAN HERHANGİ BİR SORUMLULUK ALMAYACAĞINI KABUL EDİYORSUNUZ; ANCAK HIKMICRO, GEREKİRSE ZAMANINDA TEKNİK DESTEK SAĞLAYACAKTIR.

BU ÜRÜNÜ GEÇERLİ TÜM YASALARA UYGUN OLARAK KULLANMAYI KABUL EDİYORSUNUZ VE KULLANIMINIZIN GEÇERLİ YASALARA UYGUN OLMASINI SAĞLAMAKTAN YALNIZCA SİZ SORUMLUSUNUZ. ÖZELLİKLE, BU ÜRÜNÜ, SINIRLAMA OLMASIZIN, TANITIM HAKLARI, FİKRİ MÜLKİYET HAKLARI VEYA VERİ KORUMA VE DİĞER GİZLİLİK HAKLARI DA DAHİL OLMAK ÜZERE ÜÇÜNCÜ TARAFLARIN HAKLARINI İHLAL ETMEYECEK ŞEKİLDE KULLANMaktan SİZ SORUMLUSUNUZ. BU ÜRÜNÜ, KİTLE İMHA

SİLAHLARININ GELİŞTİRİLMESİ VEYA ÜRETİMİ, KİMYASAL VEYA BİYOLOJİK SİLAHLARIN GELİŞTİRİLMESİ VEYA ÜRETİMİ, HERHANGİ BİR NÜKLEER PATLAYICI VEYA GÜVENLİ OLMAYAN NÜKLEER YAKIT DÖNGÜSÜ İLE İLGİLİ HERHANGİ BİR FAALİYETTE VEYA İNSAN HAKLARI İHLALLERİNİ DESTEKLEMENİN DE DAHİL YASAKLANMIŞ SON KULLANIMLAR İÇİN KULLANILMAZSINIZ.

BU KILAVUZ İLE İLGİLİ YASA ARASINDA HERHANGİ BİR ÇELİŞKİ OLMASI DURUMUNDA, İKİNCİSİ GEÇERLİDİR.

Mevzuat Bilgisi

Bu maddeler, yalnızca ilgili işarete veya bilgiye sahip ürünler için geçerlidir.

AB Uygunluk Beyanı



Bu ürün ve (varsa) birlikte verilen aksesuarlar "CE" işaretlidir ve bu nedenle EMC Direktifi 2014/30/EU, RoHS Direktifi 2011/65/EU altında listelenen geçerli uyumlaştırılmış Avrupa standartlarına uygundur.



2012/19/EU (WEEE direktifi): Bu simgeyle işaretlenen ürünler, Avrupa Birliği'nde ayrıştırılmamış belediye atığı olarak yok edilemez. Doğru geri dönüşüm için, eşdeğer yeni ekipman satın aldıktan sonra bu ürünü yerel tedarikçinize iade edin veya belirtilen toplama noktalarında imha edin.

Daha fazla bilgi için bkz: www.recyclethis.info.



2006/66/EC (pil direktifi): Bu ürün, Avrupa Birliği'nde ayrıştırılmamış belediye atığı olarak imha edilemeyen bir pil içerir. Özel pil bilgileri için ürün belgelerine bakın. Pil, kadmium (Cd), kurşun (Pb) veya cıva (Hg) içerebildiğini belirtmek bu simgeyle işaretlenmiştir. Doğru geri dönüşüm için pili tedarikçinize veya belirlenmiş bir toplama noktasına iade edin.

Daha fazla bilgi için bkz: www.recyclethis.info.

Güvenlik Talimatı

Bu talimatlar ile tehlikeleri veya mal kayıplarını önlemek için kullanıcının ürünü doğru şekilde kullanabilmesinin sağlanması amaçlanmıştır.

Yasalar ve Yönetmelikler

- Ürünün kullanımında ülkenin ve bölgenin elektrik güvenliği düzenlemelerine kesinlikle uymazmanız gerekir.

Ulaşım

- Cihazı taşıırken orijinal ambalajının veya benzer bir ambalajın içerisine koyun.
- Ambalajından çıkardıktan sonra tüm ambalajları ileride kullanmak üzere saklayın. Herhangi bir arıza meydana gelmesi halinde cihazı orijinal sargısıyla birlikte fabrikaya iade etmeniz gerekir. Orijinal ambalajı olmadan taşımak cihaza zarar verebilir bu durumda şirket hiçbir sorumluluk kabul etmeyecektir.
- Ürünü düşürmeyin veya fiziksel darbeye maruz bırakmayın. Cihazı manyetik parazitten uzak tutun.

Güç Kaynağı

- Lütfen şarj cihazını kendiniz satın alın. Giriş voltajı, IEC62368 standardına göre 12 V DC Sınırlı Güç Kaynağına karşılamalıdır. Ayrıntılı bilgi için lütfen teknik özelliklere bakın.
- Fişin elektrik prizine düzgün şekilde takıldığından emin olun.
- Priz, ekipmanın yakınına kurulmalı ve kolayca erişilebilir olmalıdır.
- Aşırı yükten kaynaklı aşırı ısınmayı veya yangın tehlikelerini önlemek için bir güç kaynağına birden fazla cihaz TAKMAYIN.
- Devre kesici kapatıldıktan sonra girişlerin çıplak metal kontaklarına DOKUNMAYIN. Elektrik hala vardır.
- + simgesi kullanılan veya doğru akım üreten ekipmanın pozitif terminallerini belirtir. - simgesi kullanılan veya doğru akım üreten ekipmanın negatif terminallerini belirtir.

Pil

- DİKKAT: Pil yanlış bir türle değiştirildiğinde patlama riski.
- Bitmiş pilleri yönetmeliklere göre atın.
- Pilin yanlış türde bir pille uygun olmayan şekilde değiştirilmesi korumayı geçersiz hale getirebilir (örneğin, bazı lityum pil türleri).
- Pili ateşe veya sıcak fırına atmayın veya pili mekanik olarak patlayabilecek şekilde ezmeyin veya kesmeyin.
- Pili, patlamaya veya yanıcı sıvı veya gaz sızıntısına neden olabilecek aşırı yüksek sıcaklıktaki bir ortamda bırakmayın.
- Pili, patlamaya veya yanıcı sıvı veya gaz sızıntısına neden olabilecek aşırı düşük hava basıncına maruz bırakmayın.

Montaj

- Ekipmanı asla sağlam olmayan bir yere yerleştirmeyin. Ekipmanın düşmesi ciddi kişisel yaralanmalara veya ölüme neden olabilir.
- Bu ekipman sadece ilgili braketler ile kullanım içindir. Başka araçlarla (el arabaları, stantlar veya taşıyıcılar) kullanılması, yaralanmaya neden olabilecek dengesizliğe yol açabilir.

Sistem Güvenliđi

- İnternetin yapısı nedeniyle güvenlik riskleri barındırdığını ve şirketimizin siber saldırı, bilgisayar korsanı saldırısı veya başka bir internet güvenlik riskinden kaynaklanan anormal çalışma, gizlilik sızıntısı veya başka zararlar için hiçbir sorumluluk almayacağını kabul edersiniz. Ancak şirketimiz gerekirse zamanında teknik destek sağlayacaktır.
- Cihaz internete bağlandığında ağ güvenliği sorunları oluşabileceğinden lütfen kişisel bilgilerin korunduğundan ve veri güvenliği sağlandığından emin olun. Cihazda ağ güvenliği riskleri olduğunda lütfen bizimle iletişime geçin.
- Tüm parolaların ve cihazla ilgili diğer güvenlik ayarlarının yapılandırılması ve kullanıcı adı ile parolasının korunması sorumluluğunun size ait olduğunu lütfen unutmayın.

Bakım

- Ürün düzgün şekilde çalışmıyorsa lütfen bayinizle veya en yakın servis merkeziyle iletişime geçin. Yetkisiz onarım veya bakımdan kaynaklanan sorunlar için herhangi bir sorumluluk kabul etmeyiz.
- Cihazın birkaç parçası (ör. Elektrolitik kapasitör) düzenli olarak değiştirilmelidir. Ortalama parça ömrü değişiklik göstermektedir bu nedenle periyodik kontrol önerilmektedir. Ayrıntılar için satıcınıza iletişime geçin.
- Cihazı temiz bir bez ve gerekirse az miktarda etanol ile hafifçe silin.
- Ekipman, üretici tarafından belirtilmeyen bir şekilde kullanılırsa cihaz tarafından sağlanan koruma bozulabilir.
- Yangın riskini azaltmak için, sadece aynı tip ve değerde sigorta ile değiştirin.
- Ekipmanın seri portu sadece hata ayıklama için kullanılır.

Kullanma Ortamı

- Çalışma ortamının cihazın gereksinimlerini karşıladığından emin olun. Çalışma sıcaklığı, tesisat sistemine uygun olarak 0 °C ile 200 °C (32 °F ile 392 °F) arasında ve nem oranı %95 veya daha altında olmalıdır.
- Cihazı, kuru ve iyi havalandırılan bir ortama yerleştirin.
- Cihazı yüksek elektromanyetik radyasyona sahip veya tozlu ortamlarda BULUNDURMAYIN.
- Lensi, güneşe veya herhangi bir parlak ışığa doğru tutmayın.
- Ekipman, damlayan veya sıçrayan sıvılara maruz bırakılmamalı ve ekipmanın üzerine vazo gibi içi sıvı dolu nesnelere konulmamasına dikkat edilmelidir.
- Ekipmanın üzerine yanan mum gibi açık alev kaynakları konulmamalıdır.

- Dağ tepesi, demir kule ve orman gibi özel koşullarda ekipmanın giriş açıklığında aşırı gerilim koruyucu sağlayın.
- ⚠ sembolü olan parçaları tuttuğunuzda parmaklarınız yanabilir. Kapattıktan sonra parçaları tutmadan önce bir buçuk saat bekleyin.

Acil Durum

- Cihazdan duman, koku veya ses geliyorsa hemen gücü kapatarak güç kablosunun bağlantısını kesin ve servis merkeziyle iletişime geçin.

UYGUNLUK BİLDİRİMİ: Termal serisi ürünler, sınırlama olmaksızın Amerika Birleşik Devletleri, Avrupa Birliği, Birleşik Krallık ve / veya Wassaenaar Düzenlemesinin diğer üye ülkeleri dahil olmak üzere çeşitli ülke veya bölgelerde ihracat kontrollerine tabi olabilir. Termal serisi ürünleri farklı ülkeler arasında transfer etmeyi, ihraç etmeyi veya yeniden ihraç etmeyi düşünürseniz, lütfen gerekli ihracat lisansı gereklilikleri için profesyonel hukuk veya uyum uzmanınıza veya yerel hükümet yetkililerine danışın.

Русский

1 Подготовка**Базовое требование**

- Все операции с электронным оборудованием должны выполняться при строгом соблюдении правил техники безопасности, правил пожарной безопасности и других нормативов, действующих в вашем регионе.
- Убедитесь, что устройство находится в хорошем состоянии и все крепежные детали присутствуют в комплекте поставки.
- Используйте систему в соответствии с требованиями рабочей среды.

Проверка условий установки

- Убедитесь, что для установки камеры и принадлежностей достаточно места.

- Убедитесь, что стена достаточно прочная, чтобы выдержать 8-кратный вес камеры и ее крепления.

Подготовка кабелей

- В зависимости от фактической пропускной способности сети, требуются кабели Cat5 (до 100 М) или Cat6 (выше 100 М).
- Если камера использует стандартный блок питания на 12 В постоянного тока, кабель питания должен иметь калибр 18 или выше по американскому сортаменту. Формула зависимости сечения S (мм²) и максимальной дальности передачи L (м) для проводника без учета изоляции имеет вид L=50*S.
- Выбирайте видеокабель в соответствии с дальностью передачи. Минимальные требования к видеокабелю: сопротивление 75 Ом; проводящая жила на 100% медная; плетеный экран из 95% меди.

Подготовка инструментов

Перед установкой подготовьте необходимые инструменты: анкерные болты, электрический молоток, дрель, гаечный ключ, отвертку, электрический тестер и сетевой кабель.

Исходная упаковка

При распаковывании камеры сохраните исходную упаковку надлежащим образом на случай, если необходимо будет вернуть или сдать на ремонт камеру. Вы сможете уложить камеру в эту упаковку.

Примечание.

Пользователь несет ответственность за любые повреждения камеры, перевозимой в сторонней упаковке.

2 Описание внешнего вида

2.1 Внешний вид

Внешний вид камеры показан на следующем рисунке.

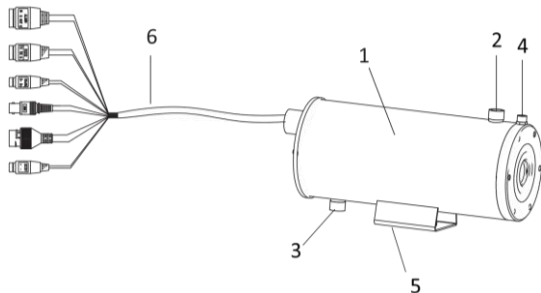


Рисунок 2-1. Внешний вид

Таблица 2-1. Описание устройства

№	Описание
1	Камера
2	G1/2 Выходное отверстие для воздуха/воды
3	G1/2 Входное отверстие для воздуха/воды
4	G1/4 Входное отверстие для воздуха
5	Монтажное основание

6	Кабели
---	--------

2.2 Описание кабелей

Интерфейсы кабелей камеры показаны на рисунке 2-20.

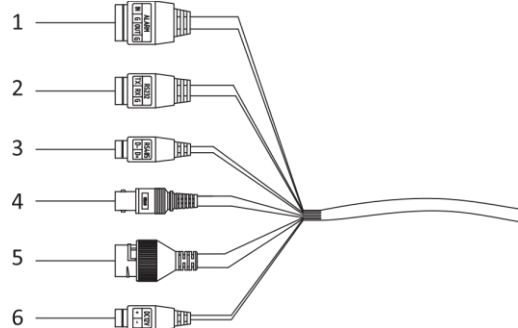


Рисунок 2-2. Кабели камеры

Таблица 2-2. Описание устройства

№	Описание
1	Тревожный вход/выход
2	Кабель RS-232
3	Кабель RS-485
4	Кабель CVBS
5	Сетевой кабель RJ45
6	Кабель питания

3 Установка

3.1 Электромонтаж

При планировании электромонтажа учитывайте все условия установки и местоположение устройства. Для обеспечения стабильности питания и передачи сигнала неукоснительно соблюдайте следующие правила:

- Перед прокладыванием проводки проверьте условия установки, в том числе длину проводников, условия электромонтажа, магнитные помехи и т. п.
- Номинальное напряжение проводника должно быть выше требуемого напряжения для устройства, чтобы устройство нормально работало при нестабильном напряжении.
- Рекомендуется использовать одинаковые кабели для электромонтажа; в противном случае необходимо принимать меры по усилению точки срачивания двух кабелей, иначе по мере старения цепи в работе устройства могут возникнуть отклонения.
- Проследите за тем, чтобы кабели устройства были хорошо защищены; обеспечьте меры усиления и защиты во время монтажа.
- Избегайте ударного воздействия на кабели и повреждения магнитного кольца. В противном случае может нарушиться работа устройства.
- Проследите за тем, чтобы кабели не были слишком длинными или не были слишком сильно натянуты.
- Электромонтаж должен выполняться профессиональными техниками. Если устройство не работает нормально, используйте приведенную выше информацию для поиска неисправностей.

3.2 Установка камеры

Перед началом работы.

Кронштейн не входит в комплект поставки. Приобретите его отдельно.

Выполните следующие шаги.

1. Просверлите четыре отверстия в стене в соответствии с его размерами шаблона настенного кронштейна.

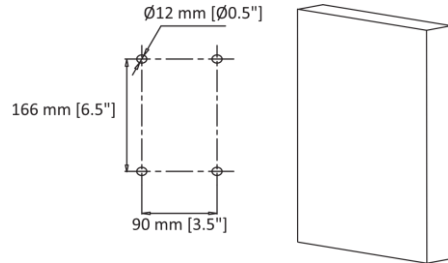


Рисунок 3-1. Сверление отверстий в стене

2. Вкрутите четыре винта М8 в отверстия.

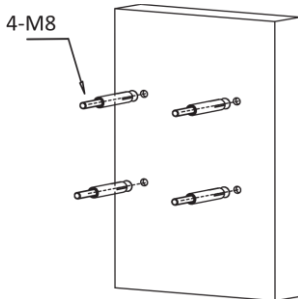


Рисунок 3-2. Установка винтов М8 в отверстия

3. Ослабьте и удалите винты, чтобы разобрать шарнирное соединение.

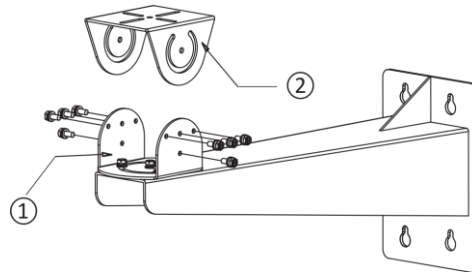


Рисунок 3-3 Разборка шарнирного соединения

Примечание. ①: Низ шарнирного соединения; ②: Верх шарнирного соединения

4. Совместите четыре отверстия в кронштейне с четырьмя винтами М8 в стене, установите кронштейн и затяните винты.

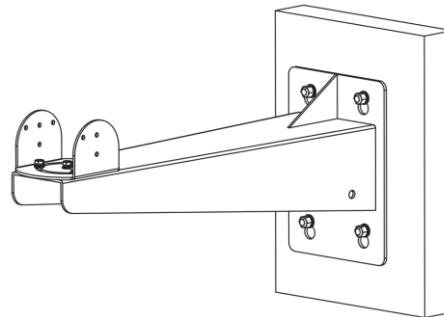


Рисунок 3-4. Установка кронштейна

5. Ослабьте четыре винта М6 в нижней части шарнирного соединения, чтобы отрегулировать угол панорамирования, после чего затяните винты. Угол панорамирования регулируется в диапазоне от -45° до 45° .

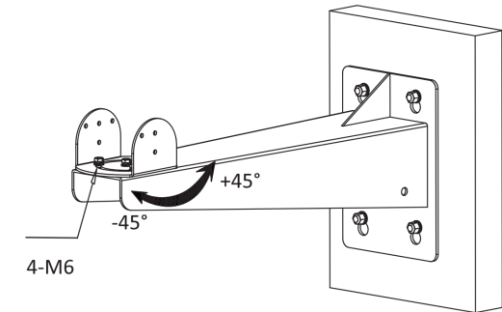


Рисунок 3-5. Регулировка угла панорамирования

6. Присоедините верх шарнирного соединения к монтажному основанию камеры четырьмя винтами М6.

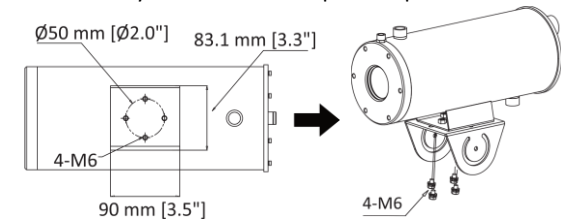


Рисунок 3-6. Присоединение верха шарнирного соединения с камерой

7. Вкрутите восемь винтов М6 и отрегулируйте угол наклона камеры. После регулировки затяните винты. Угол наклона регулируется в диапазоне от -45° до 45° .

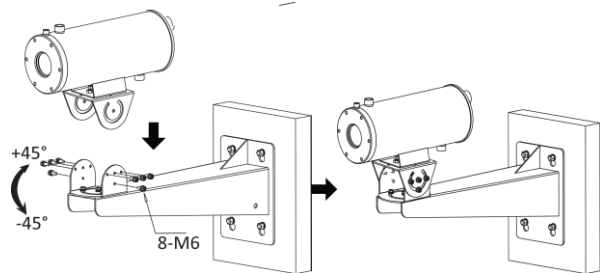


Рисунок 3-7. Регулировка угла наклона

3.3 Установка системы охлаждения и удаления пыли

Если устройство работает в среде с высокой температурой, для охлаждения модуля тепловой камеры необходима система воздушного или водяного охлаждения. Система удаления пыли поможет удалять пыль с окна устройства и охлаждать устройство, что способствует большей четкости изображения.

Перед началом работы.

Выберите подходящий способ охлаждения с учетом среды, в которой работает устройство.

- Если рабочая температура находится в диапазоне от 50 °C до 100 °C (включая 100 °C), используйте воздушное охлаждение.
- Если рабочая температура находится в диапазоне от 100 °C до 200 °C (включая 200 °C), используйте водяное охлаждение.

3.3.1 Установка системы воздушного охлаждения и удаления пыли

Для снижения температуры в полости устройства можно организовать подачу сжатого воздуха.

Выполните следующие шаги.

1. Присоедините выходное отверстие для сжатого воздуха к ① (G1/2 входное отверстие для воздуха) в нижней части устройства с помощью ② (G1/2 труба с резьбовыми отверстиями).

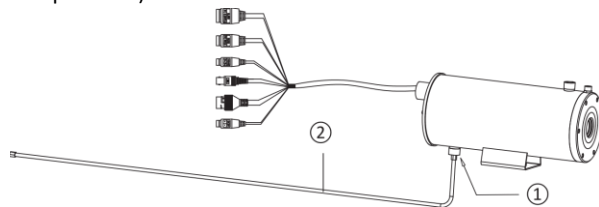


Рисунок 3-8. Присоединение труб для воздушного охлаждения

Примечание.

Длина трубы с резьбовыми отверстиями в комплекте составляет 1 м. В зависимости от фактических условий вы можете приобрести другую трубу.

2. Присоедините ③ (G1/2 входное отверстие для воздуха) к ④ (G1/4 входное отверстие для воздуха) с помощью ⑤ (переходник). После этого сжатый воздух сможет удалять пыль с окна устройства.

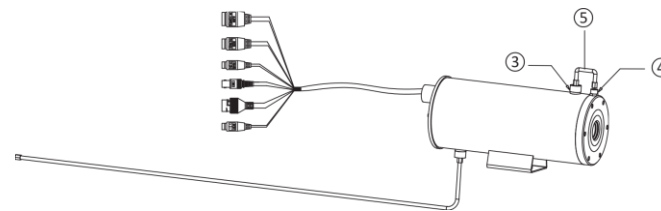


Рисунок 3-9. Установка системы удаления пыли

3. Оберните присоединенную трубу термоизоляционным материалом. Рекомендуется использовать аэрогель и силикат алюминия.

3.3.2 Установка системы водяного охлаждения и удаления пыли

Для снижения температуры в полости устройства можно организовать подачу охлаждающей воды.

Выполните следующие шаги.

1. Присоедините выход охлаждающей воды к ⑥ (G1/2 входное отверстие для воды) в нижней части устройства с помощью ② (одна труба с резьбовыми отверстиями G1/2), и присоедините вход отходящей воды к ⑦ (G1/2 выходное отверстие для воды) в верхней части устройства с помощью ② (другая труба с резьбовыми отверстиями G1/2).

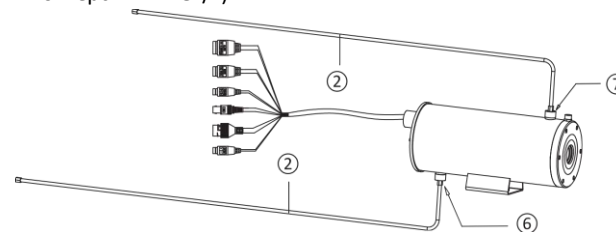


Рисунок 3-10. Присоединение труб для водяного охлаждения

Примечание.

Проследите за тем, чтобы уплотнительные прокладки на концах труб были установлены надлежащим образом, чтобы герметичность не была нарушена.

2. Присоедините выход сжатого воздуха к ④ (G1/4 входное отверстие для воздуха) в верхней части устройства с помощью ⑧ (труба с резьбовыми отверстиями G1/4). После этого сжатый воздух сможет удалять пыль с окна устройства.

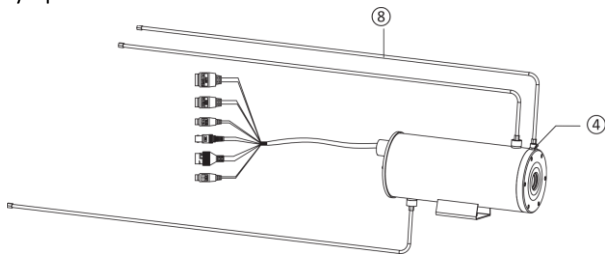


Рисунок 3-11. Установка системы удаления пыли

Примечание.

Длина трубы с резьбовыми отверстиями в комплекте составляет 1 м. В зависимости от фактических условий вы можете приобрести другую трубу.

3. Оберните три трубы термоизоляционным материалом. Рекомендуется использовать аэрогель и силикат алюминия.

4 Активация и доступ к сетевой камере

Посетите www.hikmicrotech.com, чтобы загрузить и установить HIKMICRO Studio. Подробную информацию см. в руководстве пользователя устройства.

Нормативно-правовая информация


©2022, Hangzhou Microimage Software Co., Ltd. Все права защищены.

О данном Руководстве

В Руководстве содержатся инструкции по эксплуатации Изделия. Фотографии, схемы, иллюстрации и прочие материалы приведены исключительно в качестве описаний и пояснений. Информация, приведенная в Руководстве, может быть изменена без предварительного уведомления в связи с обновлением микропрограммы или по другим причинам. Последнюю редакцию настоящего Руководства можно найти на веб-сайте компании HIKMICRO (www.hikmicrotech.com/).

Используйте Руководство под наблюдением специалистов, обученных обслуживанию Изделия.

Признание товарных знаков

 и все другие торговые марки и логотипы HIKMICRO являются собственностью компании HIKMICRO в различных юрисдикциях.

Другие товарные знаки и логотипы, упоминаемые в Руководстве, являются собственностью соответствующих владельцев.

Ограничение ответственности

В МАКСИМАЛЬНОЙ СТЕПЕНИ, РАЗРЕШЕННОЙ ДЕЙСТВУЮЩИМ ЗАКОНОДАТЕЛЬСТВОМ, ДАННОЕ РУКОВОДСТВО И ОПИСАНИЕ ИЗДЕЛИЯ ВМЕСТЕ С АППАРАТНОЙ ЧАСТЬЮ, ПРОГРАММНЫМ ОБЕСПЕЧЕНИЕМ И ВСТРОЕННОЙ МИКРОПРОГРАММОЙ ПРЕДОСТАВЛЯЕТСЯ ПО ПРИНЦИПУ «КАК ЕСТЬ» И «СО ВСЕМИ НЕПОЛАДКАМИ И ОШИБКАМИ». HIKMICRO НЕ ДАЕТ НИКАКИХ ЯВНЫХ ИЛИ ПОДРАЗУМЕВАЕМЫХ ГАРАНТИЙ, В ТОМ ЧИСЛЕ ГАРАНТИЙ ТОВАРНОЙ ПРИГОДНОСТИ, УДОВЛЕТВОРИТЕЛЬНОГО КАЧЕСТВА ИЛИ ПРИГОДНОСТИ ДЛЯ КОНКРЕТНЫХ ЦЕЛЕЙ.

ПОТРЕБИТЕЛЬ ИСПОЛЬЗУЕТ ИЗДЕЛИЕ НА СВОЙ СТРАХ И РИСК. НИ ПРИ КАКИХ ОБСТОЯТЕЛЬСТВАХ КОМПАНИЯ HIKMICRO НЕ НЕСЕТ ОТВЕТСТВЕННОСТИ ПЕРЕД ПОТРЕБИТЕЛЕМ ЗА КАКОЙ-ЛИБО СЛУЧАЙНЫЙ ИЛИ КОСВЕННЫЙ УЩЕРБ, ВКЛЮЧАЯ, СРЕДИ ПРОЧЕГО, УБЫТКИ ИЗ-ЗА ПОТЕРИ ПРИБЫЛИ, ПЕРЕРЫВОВ В ДЕЯТЕЛЬНОСТИ, ПОТЕРИ ДАННЫХ ИЛИ ДОКУМЕНТАЦИИ, ПОВРЕЖДЕНИЯ СИСТЕМ, БУДЬ ТО ПО ПРИЧИНЕ НАРУШЕНИЯ ДОГОВОРА, ПРОТИВОПРАВНЫХ ДЕЙСТВИЙ (В ТОМ ЧИСЛЕ ХАЛАТНОСТИ), УЩЕРБА ВСЛЕДСТВИЕ ИСПОЛЬЗОВАНИЯ ИЗДЕЛИЯ ИЛИ ИНОГО В СВЯЗИ С ИСПОЛЬЗОВАНИЕМ ДАННОГО ИЗДЕЛИЯ, ДАЖЕ ЕСЛИ КОМПАНИИ HIKMICRO БЫЛО ИЗВЕСТНО О ВОЗМОЖНОСТИ ТАКОГО УЩЕРБА. ПОТРЕБИТЕЛЬ ОСОЗНАЕТ, ЧТО ИНТЕРНЕТ ПО СВОЕЙ ПРИРОДЕ ЯВЛЯЕТСЯ ИСТОЧНИКОМ ПОВЫШЕННОГО РИСКА БЕЗОПАСНОСТИ И КОМПАНИЯ HIKMICRO НЕ НЕСЕТ ОТВЕТСТВЕННОСТИ ЗА СБОИ В РАБОТЕ ОБОРУДОВАНИЯ, УТЕЧКУ ИНФОРМАЦИИ И ДРУГОЙ УЩЕРБ, ВЫЗВАННЫЙ КИБЕРАТАКАМИ, ХАКЕРАМИ, ВИРУСАМИ ИЛИ СЕТЕВЫМИ УГРОЗАМИ; ОДНАКО НАША КОМПАНИЯ ОБЕСПЕЧИВАЕТ СВОЕВРЕМЕННУЮ ТЕХНИЧЕСКУЮ ПОДДЕРЖКУ, ЕСЛИ ЭТО НЕОБХОДИМО.

ПОТРЕБИТЕЛЬ СОГЛАШАЕТСЯ ИСПОЛЬЗОВАТЬ ДАННОЕ ИЗДЕЛИЕ В СООТВЕТСТВИИ СО ВСЕМИ ПРИМЕНИМЫМИ ЗАКОНАМИ И НЕСЕТ ЛИЧНУЮ ОТВЕТСТВЕННОСТЬ ЗА ИХ СОБЛЮДЕНИЕ. В ЧАСТНОСТИ, ПОТРЕБИТЕЛЬ НЕСЕТ ОТВЕТСТВЕННОСТЬ ЗА ИСПОЛЬЗОВАНИЕ ДАННОГО ИЗДЕЛИЯ БЕЗ НАРУШЕНИЯ ПРАВ ТРЕТЬИХ ЛИЦ, В ТОМ ЧИСЛЕ ПРАВ ПУБЛИЧНОСТИ, ИНТЕЛЛЕКТУАЛЬНОЙ СОБСТВЕННОСТИ И ЗАЩИТЫ ДАННЫХ. ПОТРЕБИТЕЛЬ ОБЯЗУЕТСЯ НЕ ИСПОЛЬЗОВАТЬ ЭТО ИЗДЕЛИЕ В ЗАПРЕЩЕННЫХ ЦЕЛЯХ, В ТОМ ЧИСЛЕ ДЛЯ РАЗРАБОТКИ ИЛИ ПРОИЗВОДСТВА ОРУЖИЯ МАССОВОГО УНИЧТОЖЕНИЯ, ХИМИЧЕСКОГО ИЛИ БИОЛОГИЧЕСКОГО ОРУЖИЯ, ОСУЩЕСТВЛЕНИЯ КАКОЙ-ЛИБО ДЕЯТЕЛЬНОСТИ В КОНТЕКСТЕ ЯДЕРНОГО ОРУЖИЯ, НЕБЕЗОПАСНЫХ ОПЕРАЦИЙ С ЯДЕРНЫМ ТОПЛИВОМ ИЛИ ДЛЯ ПОДДЕРЖКИ НАРУШЕНИЙ ПРАВ ЧЕЛОВЕКА. В СЛУЧАЕ РАЗНОЧТЕНИЙ МЕЖДУ НАСТОЯЩИМ РУКОВОДСТВОМ И ДЕЙСТВУЮЩИМ ЗАКОНОДАТЕЛЬСТВОМ, ПОСЛЕДНЕЕ ИМЕЕТ ПРИОРИТЕТ.

Нормативная информация

Данные положения применяются только в том случае, если изделие снабжено соответствующей отметкой или информацией.

Соответствие стандартам ЕС



Данный продукт и (если применимо) поставляемые аксессуары имеют маркировку «CE» и соответствуют применимым согласованным Европейским стандартам, перечисленным в Директиве по электромагнитной совместимости 2014/30/EU EMC и Директиве по ограничению использования опасных веществ 2011/65/EU RoHS.



Директива WEEE 2012/19/EU (по утилизации отходов электрического и электронного оборудования): продукты, отмеченные этим символом, запрещено утилизировать в Европейском союзе в качестве несортированных муниципальных отходов. Для надлежащей переработки возвратите этот продукт местному поставщику после покупки эквивалентного нового оборудования или утилизируйте его в предназначенных для этого пунктах сбора отходов. Для получения дополнительной информации посетите веб-сайт www.recyclethis.info.



Директива 2006/66/EC по обращению с батареями: этот продукт содержит батарею, которую запрещено утилизировать в Европейском союзе в качестве несортированных муниципальных отходов. Для получения точной информации о батарее см. документацию к продукту. Маркировка батареи может включать символы, которые определяют ее химический состав: кадмий (Cd), свинец (Pb) или ртуть (Hg). Для надлежащей утилизации отправьте батарею местному поставщику или утилизируйте ее в специальных пунктах приема отходов. Для получения дополнительной информации см.: www.recyclethis.info.

Инструкция по технике безопасности

Настоящие инструкции предназначены для того, чтобы пользователь мог правильно использовать устройство, чтобы избежать опасности или потери имущества.

Законодательные акты и нормативные документы

- Эксплуатация данного изделия должна выполняться в строгом соответствии с правилами безопасной эксплуатации электрооборудования, действующими в вашей стране и вашем регионе.

Транспортировка

- Используйте оригинальную или схожую упаковку для транспортировки устройства.
- После распаковки сохраните упаковочные материалы для дальнейшего использования. В случае неисправности вам потребуется вернуть устройство на завод в оригинальной упаковке. Транспортировка без оригинальной упаковки может привести к повреждению устройства, и компания не будет нести за это ответственности.
- Не роняйте и не ударяйте устройство. Устройство необходимо размещать вдали от источников электромагнитных помех.

Электропитание

- Приобретите зарядное устройство самостоятельно. Входное напряжение должно соответствовать ограниченному источнику питания (12 В постоянного тока) в соответствии со стандартом IEC62368. Подробная информация приведена в таблице технических данных.
- Убедитесь, что вилка правильно подключена к розетке электропитания.
- Электрическая розетка должна находиться рядом с устройством и должна быть легко доступна.
- Во избежание перегрева или возгорания из-за перегрузки ЗАПРЕЩАЕТСЯ подключать несколько устройств к одному адаптеру питания.
- НЕ ПРИКАСАЙТЕСЬ к оголенным металлическим контактам на входах после отключения автоматического выключателя цепи. На них остается электрический заряд.
- + обозначает положительный контакт оборудования, который должен подключаться к источнику постоянного тока. - обозначает отрицательный контакт оборудования, который должен подключаться к источнику постоянного тока.

Батарея

- ПРЕДУПРЕЖДЕНИЕ: При установке батареи недопустимого типа существует риск взрыва.
- Утилизируйте использованные батареи в соответствии с инструкциями.
- Установка батареи недопустимого типа может создать угрозу для безопасности (например, в случае некоторых типов литиевых

батарей).

- Не бросайте батарею в огонь или горячую печь, не сдавливайте и не разрезайте батарею, поскольку это может привести к взрыву.
- Нахождение батареи в среде с чрезвычайно высокой температурой может привести к взрыву или к утечке горючей жидкости или газа.
- Нахождение батареи в среде с чрезвычайно низким давлением воздуха может привести к взрыву или к утечке горючей жидкости или газа.

Установка

- Никогда не ставьте устройство на неустойчивую поверхность. Падение устройства на человека может стать причиной серьезных травм или смерти.
- Данное оборудование предназначено для использования только с подходящими кронштейнами. Использование оборудования с другими принадлежностями (тележками, подставками или держателями) может привести к травмам в результате неустойчивости устройства.

Безопасность системы

- Вы осознаете, что интернет по своей природе является источником повышенного риска безопасности, и наша компания не несет ответственности за сбои в работе оборудования, утечку информации и другой ущерб, вызванный кибератаками, хакерами; однако наша компания обеспечивает своевременную техническую поддержку, если это необходимо.
- Обязательно обеспечьте защиту личной информации и безопасность данных, поскольку при подключении устройства к сети Интернет могут возникнуть проблемы, связанные с сетевой безопасностью. Свяжитесь с нами, если при эксплуатации устройства возникает угроза безопасности сети.
- Помните, что вы несете ответственность за конфигурирование всех паролей и прочих параметров безопасности устройства, а также за сохранность своего имени пользователя и пароля.


Техническое обслуживание

- Если изделие не работает должным образом, обратитесь к дилеру или к специалистам ближайшего сервисного центра. Компания-изготовитель не несет ответственности за

неисправности, возникшие в результате несанкционированного ремонта или технического обслуживания.

- Некоторые компоненты устройства (например, электролитические конденсаторы) требуют регулярной замены. Средний срок службы этих компонентов может различаться, поэтому советуем периодически их проверять. Подробности уточняйте у продавца.
- При необходимости осторожно протрите устройство чистой салфеткой, смоченной небольшим количеством этилового спирта.
- Если оборудование используется способом, не указанным производителем, обеспечиваемая устройством безопасность может быть нарушена.
- Для снижения риска возникновения пожара используйте для замены предохранители только соответствующего типа и номинала.
- Последовательный порт оборудования предназначен только для отладки.

Требования к рабочей среде

- Убедитесь, что рабочая среда удовлетворяет требованиям надлежащей работы устройства. Рабочая температура должна составлять от 0 °C до 200 °C (от 32 °F до 392 °F), в зависимости от системы установки. Влажность не должна превышать 95%.
- Размещайте устройство в сухой и хорошо проветриваемой среде.
- ЗАПРЕЩАЕТСЯ устанавливать устройство в условиях воздействия сильного электромагнитного излучения или в пыльной среде.
- Не направляйте объектив устройства на солнце или другие яркие источники света.
- Устройство не должно подвергаться воздействию капель и брызг; не допускается ставить на него предметы, наполненные жидкостью, например, вазы с цветами.
- Не ставьте на устройство источники открытого огня, например горящие свечи.
- В особых условиях, таких как горные вершины, железные башни и лесные массивы, установите ограничитель перенапряжения на входе оборудования.
- Опасность ожога пальцев при обращении с деталями, обозначенными символом . Перед прикосновением к

деталям устройства подождите полчаса после его выключения.

Кнопка подачи экстренного сигнала тревоги

- Если устройство испускает дым, неприятный запах или шум, немедленно отключите электропитание, извлеките шнур питания и обратитесь в сервисный центр.

УВЕДОМЛЕНИЕ О СООТВЕТСТВИИ: В различных странах и регионах, включая США, ЕС, Великобританию и/или другие страны, подписавшие Вассенарские соглашения, на тепловизионные устройства могут распространяться правила экспортного контроля. При необходимости транспортировки между странами, экспорта или реэкспорта тепловизионных устройств обратитесь к юристу, специалисту по соблюдению нормативно-правового соответствия или местным органам власти для получения информации о разрешении на экспорт.

Українська

1 Підготовка

Основні вимоги

- Експлуатація всіх електронних пристроїв має повністю відповідати правилам електричної та протипожежної безпеки, а також іншим відповідним нормам у вашому регіоні.
- Переконайтеся, що пакування містить пристрій у належному стані й усі складові деталі.
- Використовуйте систему відповідно до умов робочого середовища.

Перевірка середовища, у якому відбуватиметься

встановлення

- Забезпечте достатньо місця для встановлення камери та додаткового приладдя.
- Переконайтеся, що стіна достатньо міцна, щоб

витримувати вагу у 8 разів більшу за вагу камери та кріплення.

Підготовка кабелів

- Залежно від фактичної пропускної здатності мережі, кабель повинен мати категорію 5 (до 100 М) або 6 (більше 100 М).
- Якщо в камері застосовується стандартне живлення 12 В постійного струму, калібр кабелю живлення повинен становити 18 або більше згідно американського стандарту дротів. Формула, яка описує зв'язок між поперечним перерізом S (мм²) і максимальною дальністю передачі L (м) для оголеного дроту: $L = 50 * S$.
- Виберіть відеокабель відповідно до дальності передачі. Відеокабель повинен відповідати таким мінімальним вимогам: опір – 75 Ом; струмопровідна жила – 100% мідь; екранувальне обплетення – 95% мідь.

Підготовка інструментів

Перед установленням підготуйте потрібні інструменти, такі як анкерні гвинти, електромолоток, електродріль, гайковий ключ, викрутка, індикатор напруги й мережевий кабель.

Оригінальна упаковка

Після розпакування камери належним чином збережіть оригінальну упаковку на випадок повернення або ремонту камери. У цьому випадку ви зможете використати упаковку для пакування камери.

Примітка:

Відповідальність за пошкодження камери під час її транспортування в неоригінальній упаковці покладається на користувача.

2. Опис зовнішнього вигляду

2.1 Зовнішній вигляд

Зовнішній вигляд камери зображено на рисунку нижче.

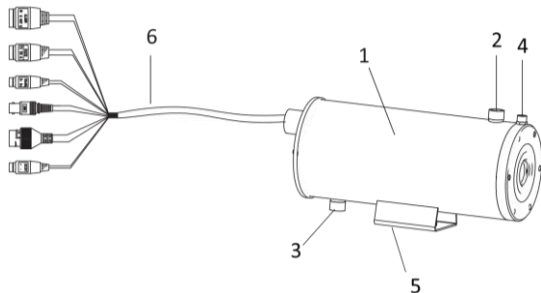


Рисунок 2-1. Зовнішній вигляд

Таблиця 2-1. Опис пристрою

№	Опис
1	Камера
2	Вихідний штуцер для води/повітря, різьба G1/2
3	Вхідний штуцер для води/повітря, різьба G1/2
4	Вхідний штуцер для повітря, різьба G1/4
5	Монтажна основа

6	Кабелі
---	--------

2.2 Опис кабелів

Кабельні роз'єми камери зображені на рисунку 2-20.

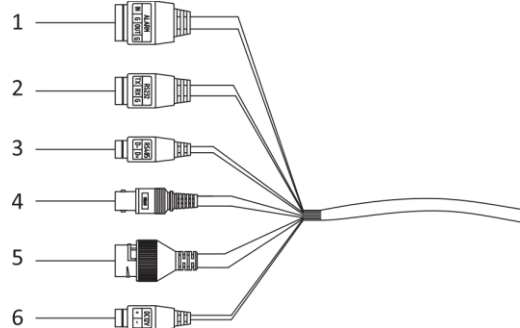


Рисунок 2-2. Кабелі камери

Таблиця 2-2. Опис пристрою

№	Опис
1	Вхід/вихід тривожної сигналізації
2	Кабель RS-232
3	Кабель RS-485
4	Кабель CVBS
5	Мережевий кабель RJ45
6	Кабель живлення

3. Установлення

3.1 Підключення кабелів

Під час планування прокладання й підключення кабелів слід ретельно врахувати середовище, у якому відбуватиметься встановлення, і розташування пристрою. Для забезпечення стабільності живлення й передавання сигналу суворо дотримуйтеся таких правил:

- перш ніж прокласти кабелі, врахуйте середовище, у якому відбуватиметься встановлення, у т.ч. довжину кабелів, середовище, у якому будуть прокладатися кабелі, магнітні перешкоди тощо;
- номінальна напруга дротів повинна перевищувати напругу пристрою, щоб забезпечити його нормальну роботу на випадок коливань напруги;
- для підключення рекомендується використовувати один суцільний кабель. Якщо це неможливо, слід ужити заходів із посилення кабелю, щоб захистити місце з'єднання двох кабелів, інакше пристрій може працювати ненормально через зношування електричного кола;
- переконайтеся, що кабелі пристрою добре захищені. Під час прокладання кабелів уживайте заходів із їх посилення й захисту;
- уникайте ударів по кабелям і пошкодження магнітного кільця, інакше пристрій може працювати ненормально;
- переконайтеся, що кабелі не є надлишково довгими або занадто натягнутими;
- прокладання й підключення кабелів повинне виконуватися професійними техніками. Якщо пристрій не працює нормально, перевірте, чи дотримуються вищезазначені вимоги.

3.2 Установлення камери

Перш ніж почати:

Кронштейн у комплект поставки не входить. Придбайте його окремо.

Порядок установки:

1. Просвердліть чотири отвори в стіні відповідно до розмірів, зазначених на шаблоні кронштейна для кріплення на стіну.

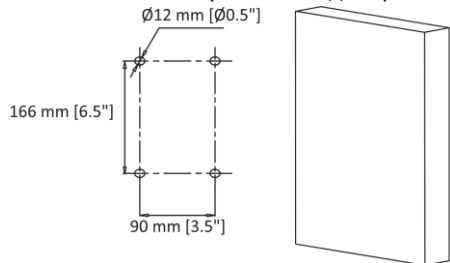


Рисунок 3-1. Просвердліть отвори в стіні

2. Укрутіть чотири гвинти M8 в отвори.

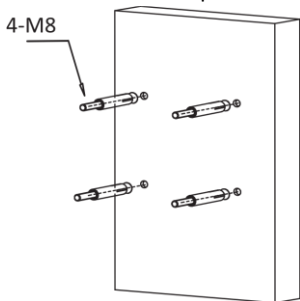


Рисунок 3-2. Укрутіть гвинти M8 в отвори

3. Послабте й видаліть гвинти, щоб розібрати поворотно-нахильний кронштейн.

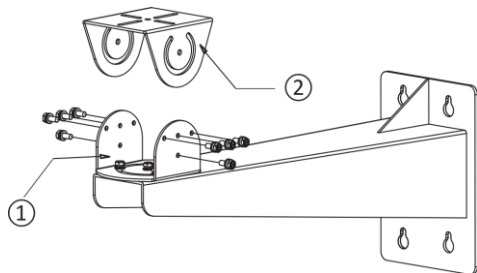


Рисунок 3-3. Розберіть поворотно-нахильний кронштейн

Примітка: ① – нижня частина поворотно-нахильного кронштейна; ② – верхня частина поворотно-нахильного кронштейна

4. Сумістіть чотири отвори на кронштейні з чотирма гвинтами M8 у стіні, установіть кронштейн на стіну й затягніть гвинти.

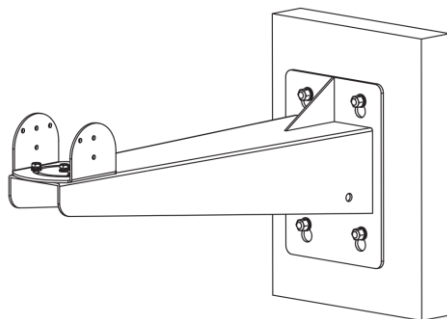


Рисунок 3-4. Установіть кронштейн

5. Послабте чотири гвинти M6 на нижній частині поворотно-нахильного кронштейна, щоб відрегулювати кут повороту камери по горизонталі, затягніть гвинти після регулювання. Кут повороту по горизонталі становить від -45° до 45°.

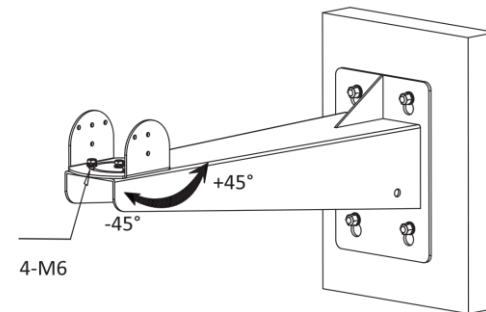


Рисунок 3-5. Відрегулюйте кут повороту по горизонталі

6. Установіть верхню частину поворотно-нахильного кронштейна на монтажну основу камери за допомогою чотирьох гвинтів M6.

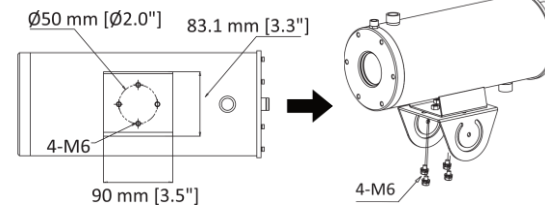


Рисунок 3-6. Установіть верхню частину поворотно-нахильного кронштейна на камеру

7. Укрупіть вісім гвинтів М6 і відрегулюйте кут нахилу камери. Після регулювання затягніть гвинти. Кут нахилу становить від -45° до 45° .

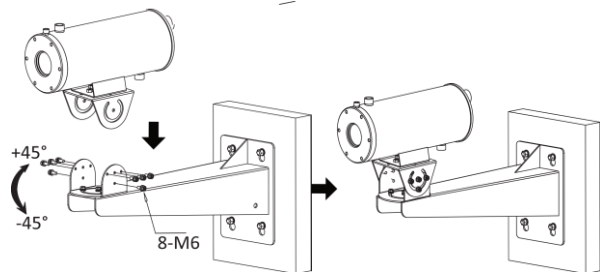


Рисунок 3-7. Відрегулюйте кут нахилу

3.3 Установлення системи охолодження й пиловидалення

Повітряне або водяне охолодження потрібне для охолодження модуля тепловізійної камери, якщо пристрій працює у високотемпературному середовищі. Установлення системи пиловидалення допомагає видаляти пил із віконця пристрою й охолоджувати пристрій, забезпечуючи таким чином більш чітке зображення.

Перш ніж почати:

Виберіть належний спосіб охолодження відповідно до робочого середовища пристрою.

- Якщо робоча температура становить від 50°C до 100°C включно, застосовуйте повітряне охолодження.
- Якщо робоча температура становить від 100°C до 200°C включно, застосовуйте водяне охолодження.

3.3.1 Установлення системи повітряного охолодження й пиловидалення

Для зменшення температури всередині корпусу пристрою, туди можна подавати стиснене повітря.

Порядок установлення:

1. З'єднайте вихідний штуцер подання стисненого повітря й ① (вхідний штуцер для повітря, різьба G1/2) в нижній частині пристрою за допомогою ② (труби з різьбою G1/2).

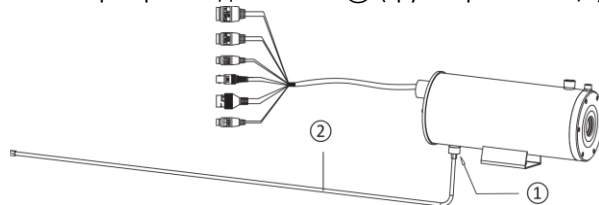


Рисунок 3-8. Трубне з'єднання повітряного охолодження

Примітка:

Довжина труби з різьбою, що йде в комплекті, становить 1 м. Ви можете придбати трубу окремо залежно від вимог до встановлення.

2. З'єднайте ③ (вихідний штуцер для повітря, різьба G1/2) і ④ (вхідний штуцер для повітря, різьба G1/4) за допомогою ⑤ (перехідника), щоб видаляти стисненим повітрям пил з віконця пристрою.

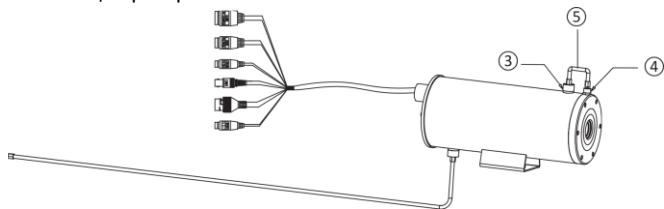


Рисунок 3-9. Установлення системи пиловидалення

3. Обмотайте трубу з різьбою теплоізоляційним матеріалом. Рекомендується використовувати аерогель або силкат алюмінію.

3.3.2 Установлення системи водяного охолодження й пиловидалення

Для зменшення температури всередині корпусу пристрою, туди можна подавати воду.

Порядок установлення:

1. З'єднайте вихідний штуцер подання охолоджувальної води й ⑥ (вхідний штуцер для води, різьба G1/2) в нижній частині пристрою за допомогою ② (однієї труби з різьбою G1/2); з'єднайте вхідний штуцер для води зворотного потоку й ⑦ (вихідний штуцер для води, різьба G1/2) у верхній частині пристрою за допомогою ② (іншої труби з різьбою G1/2).

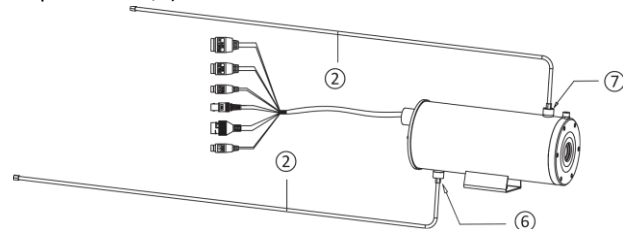


Рисунок 3-10. Трубне з'єднання водяного охолодження

Примітка:

Переконайтеся, що ущільнювальні прокладки на кінцях труб установлені належним чином, інакше може бути порушена водонепроникність.

2. З'єднайте вихідний штуцер подання стисненого повітря й ④ (вхідний штуцер для повітря, різьба G1/4) у верхній

частині пристрою за допомогою ⑧ (труби з різьбою G1/4), щоб видаляти стисненим повітрям пил з віконця пристрою.

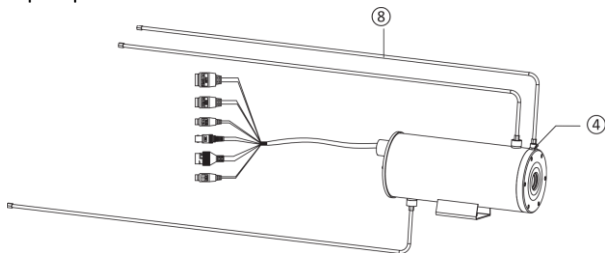


Рисунок 3-11. Установлення системи пиловидалення

Примітка:

Довжина труби з різьбою, що йде в комплекті, становить 1 м. Ви можете придбати трубу окремо залежно від вимог до встановлення.

3. Обмотайте три труби з різьбою теплоізоляційним матеріалом. Рекомендується використовувати аерогель або силікат алюмінію.

4. Активація мережевої камери й доступ до неї

Перейдіть за посиланням: www.hikmicrotech.com, щоб завантажити й установити HIKMICRO Studio. Детальні вказівки з експлуатації пристрою див. у посібнику користувача.

Юридична інформація

©2022 Hangzhou Microimage Software Co., Ltd. Усі права застережено.

Про цю Інструкцію

Ця Інструкція містить вказівки з використання Виробу та керування ним. Рисунок, діаграми, зображення та вся інша інформація в цьому документі надається лише для опису та пояснення. Інформація, що міститься в Інструкції, може змінюватися без попередження внаслідок оновлення прошивки чи з інших причин. Останню редакцію цієї Інструкції можна знайти на веб-сайті компанії HIKMICRO (www.hikmicrotech.com/).

Використовуйте Інструкцію під наглядом фахівців, які навчені обслуговувати Виріб.

Торгові марки визнані

HIKMICRO та інші торгові марки й логотипи компанії HIKMICRO є власністю компанії HIKMICRO у різних юрисдикціях.

Інші згадані торгові марки й логотипи є власністю їх відповідних власників.

Обмеження відповідальності

В МАКСИМАЛЬНИХ МЕЖАХ, ДОЗВОЛЕНИХ ЗАСТОСОВУВАНИМ ЗАКОНОМ, ЦЕ КЕРІВНИЦТВО ТА ОПИСАНИЙ ВИРІБ, З ЙОГО АПАРАТНИМ, ПРОГРАМНИМ ТА МІКРОПРОГРАМНИМ ЗАБЕЗПЕЧЕННЯМ, НАДАЮТЬСЯ «ЯК Є» ТА «ЗІ ВСІМА НЕДОЛІКАМИ ТА ПОМИЛКАМИ». HIKMICRO НЕ НАДАЄ ЖОДНИХ ГАРАНТІЙ, ЯВНИХ АБО ОЧІКУВАНИХ, ВКЛЮЧАЮЧИ, БЕЗ ОБМЕЖЕНЬ, КОМЕРЦІЙНІ ЯКОСТІ, ЗАДОВІЛЬНУ ЯКІСТЬ АБО ПРИДАТНІСТЬ ДЛЯ ХАРАКТЕРНОЇ МЕТИ. ВИКОРИСТАННЯ ВИРОБУ ВІДБУВАЄТЬСЯ НА ВАШ ВЛАСНИЙ РИЗИК. КОМПАНІЯ HIKMICRO НІ В ЯКОМУ РАЗІ НЕ НЕСЕ ВІДПОВІДАЛЬНОСТІ ПЕРЕД ВАМИ ЗА БУДЬ-ЯКІ СПЕЦІАЛЬНІ, ЛОГІЧНО ВИТІКАЮЧІ, ВИПАДКОВІ АБО НЕПРЯМІ ЗБИТКИ, ВКЛЮЧАЮЧИ, КРИМ ІНШОГО, ПОШКОДЖЕННЯ, ЩО ВЕДУТЬ ДО ВТРАТИ КОМЕРЦІЙНОГО ПРИБУТКУ, ПЕРЕРИВАННЯ ДІЛОВОЇ АКТИВНОСТІ АБО ВТРАТИ ДАНИХ, ПСУВАННЯ СИСТЕМ АБО ВТРАТИ ДОКУМЕНТАЦІЇ, НЕВАЖЛИВО, ЧИ ВНАСЛІДОК ПОРУШЕННЯ КОНТРАКТУ, ЦИВІЛЬНОГО ПРАВОПОРУШЕННЯ (ВКЛЮЧАЮЧИ НЕДБАЛИСТЬ), ВІДПОВІДАЛЬНОСТІ ЗА ВИРІБ, АБО ІНШИМ ЧИНОМ, ПОВ'ЯЗАНИХ З ВИКОРИСТАННЯМ ВИРОБУ, НАВІТЬ ЯКЩО КОМПАНІЯ HIKMICRO ПОВІДОМЛЯЛА ПРО МОЖЛИВІСТЬ ТАКИХ ЗБИТКІВ АБО ВТРАТ.

ВИ УСВІДОМЛЮЄТЕ, ЩО ПРИРОДА ІНТЕРНЕТУ НЕСЕ ПРИТАМАННІ РИЗИКИ ДЛЯ БЕЗПЕКИ, І КОМПАНІЯ HIKMICRO НЕ БЕРЕ НА СЕБЕ НІЯКОЇ ВІДПОВІДАЛЬНОСТІ ЗА НЕНОРМАЛЬНУ РОБОТУ, ВТРАТУ КОНФІДЕНЦІЙНОСТІ АБО ІНШІ ЗБИТКИ В РЕЗУЛЬТАТІ КІБЕР-АТАК, ХАКЕРСЬКИХ АТАК, ЗАРАЖЕНЬ ВІРУСАМИ АБО ІНШИХ РИЗИКІВ ДЛЯ БЕЗПЕКИ В ІНТЕРНЕТІ, ОДНАК, КОМПАНІЯ HIKMICRO В РАЗІ НЕОБХІДНОСТІ НАДАЄТЬ СВОЄЧАСНУ ТЕХНІЧНУ ПІДТРИМКУ.

ВИ ПОГОДЖУЄТЕСЬ ВИКОРИСТОВУВАТИ ЦЕЙ ВИРІБ У ВІДПОВІДНОСТІ ДО ВСІХ ЗАСТОСОВУВАНИХ ЗАКОНІВ, І ВИ НЕСЕТЕ ОДНООСІБНУ ВІДПОВІДАЛЬНІСТЬ ЗА ЗАБЕЗПЕЧЕННЯ ВИКОРИСТАННЯ ВИРОБУ ВІДПОВІДНО ДО ЗАСТОСОВУВАНОГО ЗАКОНУ. ЗОКРЕМА, ВИ НЕСЕТЕ ВІДПОВІДАЛЬНІСТЬ ЗА ВИКОРИСТАННЯ ЦЬОГО ВИРОБУ СПОСОБОМ, ЯКИЙ НЕ ПОРУШУЄ ПРАВА ТРЕТІХ СТОРІН, ВКЛЮЧАЮЧИ, БЕЗ ОБМЕЖЕНЬ, ПРАВА РОЗГОЛОШЕННЯ, ПРАВА ІНТЕЛЕКТУАЛЬНОЇ ВЛАСНОСТІ ТА ІНШІ ПРАВА ЩОДО КОНФІДЕНЦІЙНОСТІ. ВИ НЕ ПОВИННІ ВИКОРИСТОВУВАТИ ЦЕЙ ВИРІБ ДЛЯ БУДЬ-ЯКОГО ЗАБОРОНЕНОГО КІНЦЕВОГО ПРИЗНАЧЕННЯ, ВКЛЮЧАЮЧИ РОЗРОБКУ ВИРОБНИЦТВА ЗБРОЇ МАСОВОГО ЗНИЩЕННЯ, РОЗРОБКУ ВИРОБНИЦТВА ХІМІЧНОЇ АБО БІОЛОГІЧНОЇ ЗБРОЇ, БУДЬ-ЯКІ ДІЇ В КОНТЕКСТІ, ПОВ'ЯЗАНОМУ З ЯДЕРНОЮ ВИБУХОВОЮ РЕЧОВИНОЮ АБО НЕБЕЗПЕЧНИМ ЯДЕРНИМ ПАЛИВНИМ ЦИКЛОМ, АБО НА ПІДТРИМКУ ПОРУШЕНЬ ПРАВ ЛЮДИНИ.

У РАЗІ БУДЬ-ЯКИХ ПРОТИРІЧ МІЖ ЦИМ КЕРІВНИЦТВОМ ТА ЗАСТОСОВУВАНИМ ЗАКОНОМ, ОСТАННІЙ МАЄ ПЕРЕВАГУ.

Нормативна інформація

Ці положення застосовуються лише до продуктів, які мають відповідний знак або інформацію.

Заява про відповідність стандартам ЄС



Цей виріб й аксесуари до нього (якщо є в комплекті) мають маркування «CE», а отже відповідають чинним гармонізованим європейським стандартам, переліченим у Директиві щодо електромагнітної сумісності (EMC) 2014/30/ЄС і Директиві щодо обмеження вмісту шкідливих речовин (RoHS) 2011/65/ЄС.



2012/19/ЄС (Директива з утилізації електричного й електронного обладнання, WEEE): Вироби, помічені цим символом, не можна утилізувати у Європейському Союзі як несортвані побутові відходи. Щоб забезпечити правильну переробку цього виробу, поверніть його місцевому постачальнику під час придбання аналогічного нового обладнання, або здайте його до спеціально призначеного пункту збирання відходів. Більше інформації див. на сайті: www.recyclethis.info.



2006/66/ЄС (Директива щодо елементів живлення): Цей виріб містить батарею, яку не можна утилізувати у Європейському Союзі як несортвані побутові відходи. Інформацію щодо батареї див. у документації до виробу. Батарея помічена цим символом, який може включати

букви, які вказують на наявність кадмію (Cd), свинцю (Pb) або ртуті (Hg). Щоб забезпечити правильну переробку батареї, поверніть її постачальнику або здайте до спеціалізованого пункту збирання відходів. Більше інформації див. на сайті: www.recyclethis.info.

Вказівки з техніки безпеки

Ці інструкції дозволяють користувачу використовувати виріб правильно та уникати небезпеки чи пошкодження майна.

Закони та норми

- Під час експлуатації виробу мають суворо дотримуватися державні та місцеві правила електричної безпеки.

Транспортування

- Під час транспортування зберігайте пристрій в оригінальному або подібному пакуванні.
- Після розпакування виробу зберігайте всі елементи упаковки для майбутнього використання. У разі виникнення будь-яких несправностей ви повинні будете повернути пристрій на завод з оригінальною упаковкою. Транспортування без оригінальної упаковки може призвести до пошкодження пристрою, за що компанія не несе відповідальності.
- Не допускайте падіння виробу або впливу на нього механічних ударів. Тримайте пристрій подалі від магнітних завад.

Живлення

- Придбайте зарядний пристрій самостійно. Вхідна напруга повинна відповідати вимогам до джерел живлення обмеженої потужності (12 В постійного струму) згідно зі стандартом IEC62368. Щоб отримати докладну інформацію, див. технічні характеристики.
- Переконайтесь, що штепсельну вилку надійно зафіксовано в розетці.
- Розетка має бути встановлена біля обладнання і до неї повинен бути вільний доступ.
- НЕ ПІДКЛЮЧАЙТЕ декілька пристроїв до одного адаптера живлення, щоб уникнути перегрівання чи небезпеки пожежі внаслідок перенавантаження.
- НЕ ТОРКАЙТЕСЯ оголених металевих контактів на входах після вимкнення автоматичного вимикача. На них залишається електричний заряд.
- + позначає позитивну клему(и) обладнання, що використовує постійний струм чи генерує його. - позначає негативну клему(и)

обладнання, що використовує постійний струм чи генерує його.

Батарея

- **ОБЕРЕЖНО:** Встановлення батареї невідповідного типу може призвести до вибуху.
- Утилізуйте використані батареї згідно з інструкціями.
- Встановлення батареї невідповідного типу може призвести до порушення системи захисту (зокрема, у разі використання літєвих батарей деяких типів).
- Не кидайте батарею у вогонь або в гарячу піч, не розбивайте та не розрізуйте її. Це може призвести до вибуху.
- Не залишайте батарею в місцях із дуже високою температурою. Це може призвести до вибуху або витoku вогнебезпечної рідини або газу.
- Не залишайте батарею в місцях із дуже низьким атмосферним тиском. Це може призвести до вибуху або витoku вогнебезпечної рідини або газу.

Установлення

- Ніколи не розміщуйте обладнання на хиткій поверхні. Обладнання може впасти, що може призвести до серйозної травми або смерті.
- Це обладнання можна використовувати лише з кронштейнами відповідного типу. Використання чогось іншого (візків, стійок або кріплень) може призвести до падіння обладнання й до травмування.

Безпека системи

- Ви усвідомлюєте, що природа Інтернету несе притаманні ризики для безпеки, і наша компанія не бере на себе ніякої відповідальності за ненормальну роботу, втрату конфіденційності або інші збитки в результаті кібератак і хакерських атак, однак наша компанія за потреби надасть своєчасну технічну підтримку.
- Забезпечте захист особистої інформації та захист даних, оскільки під час підключення до Інтернету пристрій може зіткнутися з проблемами мережевої безпеки. У разі виникнення ризиків для мережевої безпеки пристрою зверніться до нас.
- Усвідомте, що ви несете відповідальність за налаштування всіх паролів та інших параметрів безпеки пристрою, а також за збереження свого імені користувача та пароля.


Технічне обслуговування

- Якщо виріб не працює належним чином, зверніться до вашого дилера або найближчого сервісного центру. Ми не несемо

жодної відповідальності за проблеми, які виникли внаслідок незарядженого ремонту чи огляду.

- Пристрій містить декілька компонентів (наприклад, електролітичний конденсатор), які необхідно регулярно замінювати. Середній термін служби різниться, тому рекомендується регулярно перевіряти ці компоненти. Для додаткової інформації звертайтеся до вашого дилера.
- За потреби обережно протріть пристрій чистою тканиною, змоченою невеликою кількістю етилового спирту.
- Якщо обладнання використовується в спосіб, не зазначений виробником, то забезпечувану пристроєм безпеку може бути порушено.
- Для зменшення ризику пожежі замінійте лише на запобіжник такого ж типу і з такими ж характеристиками.
- Послідовний порт обладнання використовується лише для налагодження.

Умови експлуатації

- Переконайтесь, що середа використання відповідає умовам експлуатації пристрою. Робоча температура має становити від 0 °C до 200 °C (від 32 °F до 392 °F), залежно від установлюваної системи, а робоча вологість – не більше 95%.
- Розміщуйте пристрій у сухому середовищі з належною вентиляцією.
- НЕ ДОПУСКАЙТЕ потрапляння пристрою в середовище із сильним електромагнітним випромінюванням чи запилене середовище.
- НЕ СПРЯМОВУЙТЕ об'єктів на сонце або інші джерела яскравого світла.
- Не допускайте потрапляння на обладнання крапель чи бризок. Ніколи не ставте на обладнання предмети, наповнені рідиною, як-от вази.
- Забороняється розміщувати на обладнанні джерела відкритого вогню, як-от свічки, які горять.
- Якщо обладнання розміщується на вершині гори, залізної башти чи у лісі, встановіть на вході обмежувач напруги.
- Будьте обережні, щоб не обкласти пальці об деталі, позначені символом . Після вимкнення живлення зачекайте півгодини, перш ніж працювати з цими деталями.

Аварійні ситуації

- Якщо пристрій випускає дим, запах або видає шум, негайно вимкніть живлення, від'єднайте кабель живлення та зверніться до сервісного центру.

ПРИМІТКА ЩОДО ВІДПОВІДНОСТІ НОРМАТИВНИМ ВИМОГАМ:

Пристрої теплової серії можуть регулюватися положеннями контролю експорту в різних країнах або регіонах, включаючи, без обмежень, Сполучені Штати Америки, Європейський Союз, Об'єднане Королівство та/або інші країни-учасники Вассенаарської домовленості. Проконсультуйтеся з вашим професійним юристом або експертом із відповідності нормативним вимогам чи місцевими органами влади щодо необхідності експортних ліцензій, якщо ви плануєте передавати, експортувати або реекспортувати пристрої теплової серії між різними країнами.

繁體中文

1 準備工作

基本要求

- 所有的電子操作均應嚴格遵守當地的電氣安全法規、消防法規及其他相關法規。
- 檢查包裝內容，並且確保包裝中裝置的狀況良好，並且隨附配件完整。
- 根據工作環境要求使用系統。

檢查安裝環境

- 務必要有足以安裝攝影機和配件的空間。
- 請確定牆壁的強度足以承受至少 8 倍的攝影機和壁掛板重量。

準備纜線

- 根據實際網路頻寬，需要 Cat5 (100 公尺以內) 或 Cat6 (100 公尺以上)。

- 攝影機使用標準 12 VDC 電源供應時，電源線應該採用美國線規 18 或以上。裸線的截面 $S(\text{mm}^2)$ 和最大傳輸距離 $L(\text{m})$ 的公式為 $L=50*S$ 。
- 根據傳輸長度選擇視訊纜線。影片應符合以下最低要求：75Ω 電阻；100% 銅芯導線；95% 編織銅屏蔽。

準備工具

安裝前請準備好所需工具，諸如膨脹螺絲、電鉗、電鑽、扳手、螺絲起子、電探頭以及網路線。

原包裝

拆開攝影機包裝時，請妥善保管原包裝，以便因應攝影機退回或維修所需。您可以將攝影機與包裝包在一起。

註記：

使用非原包裝運輸造成的任何損壞，應該由使用者自行負責。

2 外觀說明

2.1 外觀

攝影機外觀請參考下圖。

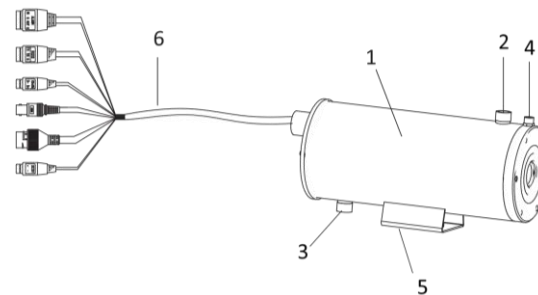


圖 2-1 外觀

表 2-1 裝置說明

編號	說明
1	攝影機
2	G1/2 出水/出風口
3	G1/2 進水/進風口
4	G1/4 進風口
5	壁掛底座
6	纜線

2.2 纜線說明

攝影機的纜線介面如圖 2-2 所示 0。

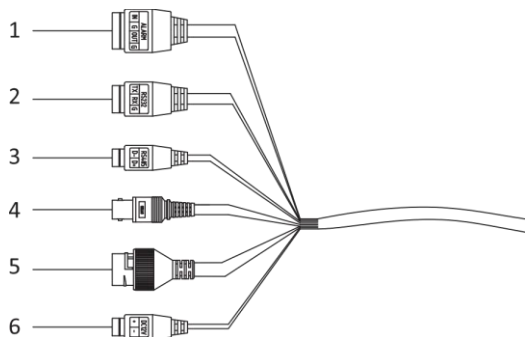


Figure 2-2 攝影機纜線

表 2-2 裝置說明

編號	說明
1	警報輸入/輸出
2	RS-232 纜線
3	RS-485 纜線
4	CVBS 纜線
5	RJ45 網路線
6	電源線

3 安裝

3.1 配線

計劃配線時，請充分考量裝置的安裝環境和位置。為了確保電源供應和訊號傳輸穩定，請嚴格遵守以下規則：

- 配線前確認安裝環境，包括配線距離、配線環境、磁場干擾等。
- 電線的額定電壓應該高於裝置要求的電壓，以便裝置能在電壓不穩定時正常運作。
- 建議使用單一完整纜線進行配線；若不使用，應該採取加固措施以保護兩根纜線之間的配線點，否則裝置可能因電路老化而運作異常。
- 確保裝置纜線受到良好保護，並在配線期間採取加固和保護措施。
- 避免碰撞纜線和損壞磁環，否則裝置可能運作異常。
- 確保纜線不會太過冗餘或拉得太緊。
- 配線應該由專業技術人員完成。當裝置無法正常運作時，您可以查看以上資訊以供故障排除。

3.2 安裝攝影機

開始之前：

包裝中未隨附支架。請另外購買。

步驟：

1. 根據壁掛支架範本尺寸，在牆上鑽四個孔。

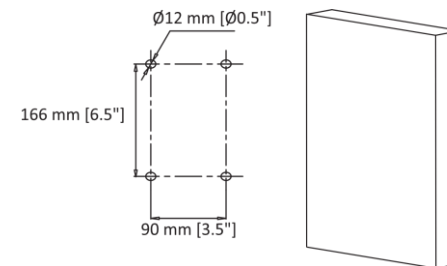


圖 3-1 在牆上鑽孔

2. 將四個 M8 螺絲鑽入孔中。

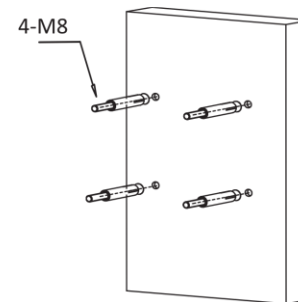


圖 3-2 將 M8 螺絲鑽入孔中

3. 鬆開並取下螺絲以拆卸 PT 接頭。

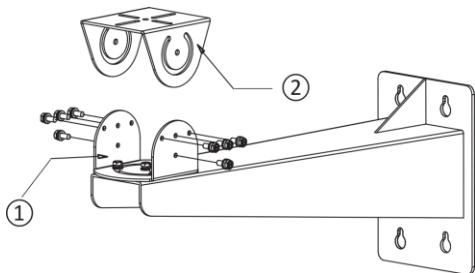


圖 3-3 拆卸 PT 接頭

註記：①：PT 接頭底部；②：PT 接頭頂部

4. 將支架上的四個孔對準牆上的四顆 M8 螺絲，將支架安裝在牆上，並鎖緊螺絲。

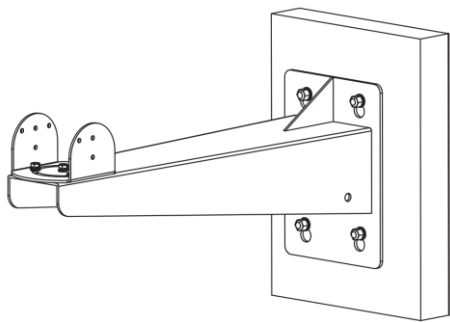


圖 3-4 安裝支架

5. 鬆開 PT 接頭底部的四顆 M6 螺絲以調整平移角度，並且在調整後鎖緊螺絲。平移角度為 -45° 至 45° 。

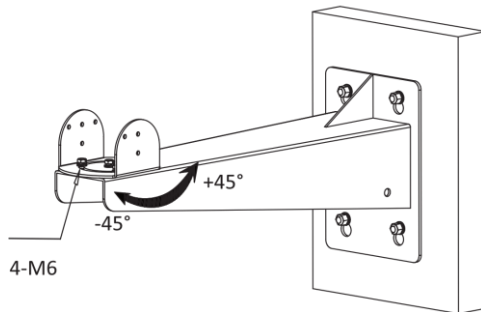


圖 3-5 調整平移角度

6. 用四顆 M6 螺絲將 PT 接頭頂部安裝到攝影機的壁掛底座上。

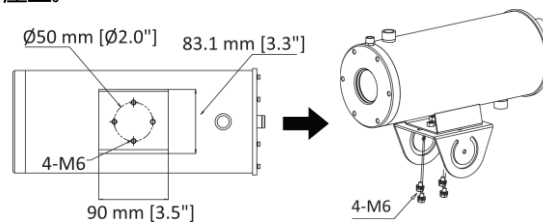


圖 3-6 隨攝影機安裝 PT 接頭頂部

7. 鎖緊八顆 M6 螺絲，並調整攝影機的傾斜角度。調整後鎖緊螺絲。傾斜範圍為 -45° 至 45° 。

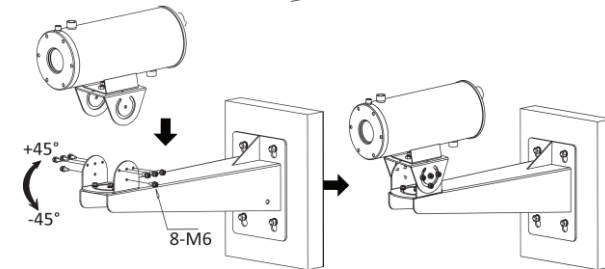


圖 3-7 調整傾斜角度

3.3 冷卻除塵安裝

如果裝置在高溫環境下運作，則需要風冷或水冷才能使熱像儀模組冷卻。除塵裝置有助於去除裝置視窗的灰塵並將裝置冷卻，使影像更清晰。

開始之前：

根據裝置的運作環境選取適當的冷卻方式。

- 如果運作溫度介於 50°C 與 100°C (包括 100°C) 之間，請選取風冷方式。
- 如果運作溫度介於 100°C 與 200°C (包括 200°C) 之間，請選取水冷方式。

3.3.1 風冷除塵安裝

您可以引進壓縮空氣使裝置的腔溫降低。

步驟：

1. 將裝置底部的壓縮出風口和 ① (G1/2 進風口) 與 ② (G1/2 螺紋管) 連接。

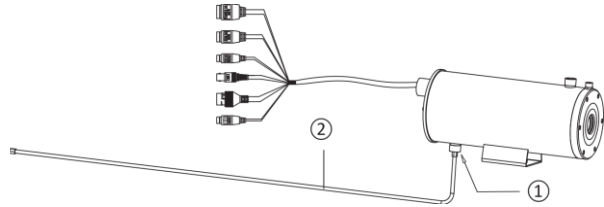


圖 3-8 風冷管路連接

註記：

包裝內螺紋管的長度為 1 公尺，可根據實際安裝要求購買管路。

- 將 ③ (G1/2 出風口) 和 ④ (G1/4 進風口) 與 ⑤ (轉接器) 連接，壓縮空氣可以去除裝置視窗上的灰塵。

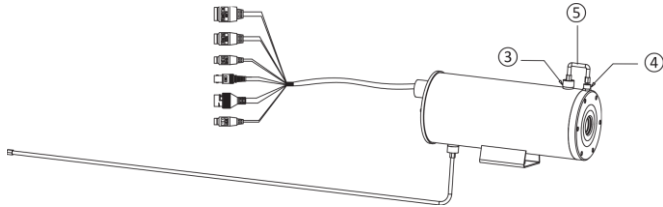


圖 3-9 除塵安裝

- 用隔熱材料包裹螺紋管。推薦氣凝膠和矽酸鋁。

3.3.2 水冷除塵安裝

您可以引進冷卻水使裝置的腔溫降低。

步驟：

- 將裝置底部的冷卻水出口和 ⑥ (G1/2 進水口) 與 ② (一根 G1/2 螺紋管) 連接，並且將裝置頂部的回水入口和 ⑦ (G1/2 出水口) 與 ② (另一根 G1/2 螺紋管) 連接。

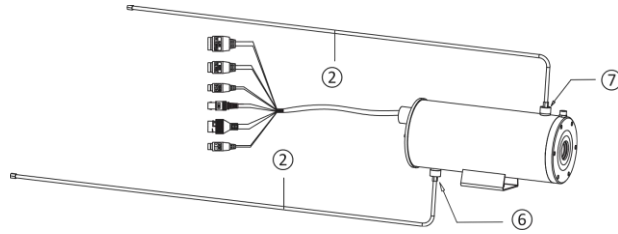


圖 3-10 水冷管路連接

註記：

確保管路末端的密封墊片有安裝好，否則防水效果可能受到影響。

- 將裝置頂部的壓縮空氣出口和 ④ (G1/4 進風口) 與 ⑧ (G1/4 螺紋管) 連接，壓縮空氣可接著去除裝置視窗上的灰塵。

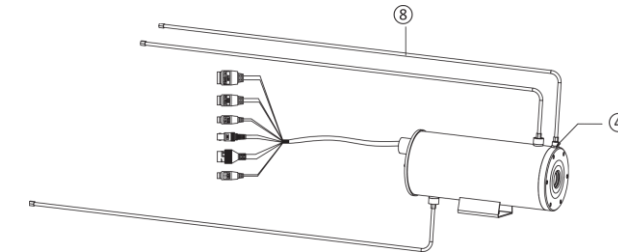


圖 3-11 除塵安裝

註記：

包裝內螺紋管的長度為 1 公尺，可根據實際安裝要求購買管路。

- 用隔熱材料包裹三根螺紋管。推薦氣凝膠和矽酸鋁。

4 啟用及存取網路攝影機

造訪 www.hikmicrotech.com 下載並安裝 HIKMICRO Studio。如需詳細操作，請參閱裝置使用手冊。

法律資訊


©2022 杭州微影軟件有限公司保留所有權利。

關於本手冊

本手冊提供有關使用和管理產品的指示。以下的圖片、圖表、圖像和其他資訊僅供描述和說明用途。本手冊所含資訊可能會因韌體升級或其他原因而變動，恕不另行通知。請至 HIKMICRO 網站 (www.hikmicrotech.com/) 尋找本手冊最新版本。

請在受過產品支援訓練的專業人員的指引與協助下使用本手冊。

商標告知

 及其他 HIKMICRO 的商標和標誌是 HIKMICRO 在不同司法管轄區的財產。

所提及的其他商標和標誌為各自擁有者的財產。

免責聲明

在適用法律允許的最大範圍內，本手冊及所描述產品，其硬體、軟體和韌體均以「現狀」提供，瑕疵錯誤概不負責。HIKMICRO 不作任何明示或暗示的保證，包括但不限於適售性、品質滿意度或適合某特定用途。您必須承擔使用本產品的風險。對於任何特殊、衍生、偶發或間接的損害，包括但不限於營業利潤損失、營業中斷，或者資料遺失、系統毀損或文件遺失，只要是基於違反合約、侵權 (包括過失、產品責任或產品使用 (即使 HIKMICRO 已知悉可能有此類損害或損失))，HIKMICRO 概不負責。

您了解網際網路的性質具有固有的安全風險，對於因網路攻擊、駭客攻擊、病毒感染或其他網路安全風險而造成的異常運作、隱私洩漏或其他損害，HIKMICRO 概不承擔任何責任；但 HIKMICRO 將提供及時的技術支援。

您同意依照所有適用法律使用本產品，而且您有責任確保您的使用符合適用法律。特別是，您有責任在使用本產品時不侵犯第三方權利，包括但不限於出版權、知識財產權或資訊保護以及其他隱私權。您不得將本產品用於任何禁止的最終用途，包括開發或生產大規模毀滅性武器、開發或生產化學武器或生物武器，以及任何有關核爆炸或不安全核燃料循環的任何活動，或支持侵犯人權。

如果本手冊與適用法律產生任何衝突，以後者為準。

法規資訊

這些條款僅適用於帶有對應標記或資訊的產品。

歐盟聲明



本產品及 (如果適用) 其附件都已標示「CE」，因此符合適用 EMC Directive 2014/30/EU (RoHS 指令 2011/65/EU) 所列統一歐洲標準。



2012/19/EU (WEEE 指令)：已標示此符號的產品在歐盟不得當成未分類的都市廢棄物處理。為了正確回收，請在購買同等的新設備時將本產品退回當地供應商，或將其棄置在指定的回收點。詳細資訊請參閱 www.recyclethis.info。



2006/66/EC (電池指令)：本產品內含一顆電池，在歐盟區不能當成未分類的都市廢棄物處理。有關特定的電池資訊，請參閱產品說明文件。已標示此符號的電池可能含有代表鎘 (Cd)、鉛 (Pb) 或汞 (Hg) 的字母。為正確回收，請將電池送回供應商或指定的回收點。有關詳細資訊請參閱：www.recyclethis.info。

安全指示

這些指示的目的在確保使用者正確使用本產品，避免造成危險或財產損失。

法律和法規

- 在使用產品時，必須嚴格遵守國家和地區的電氣安全法規。

運輸

- 在運送裝置時，請將裝置放入原本的或類似的包裝中。
- 在拆封後保留所有包裝以供將來使用。如果發生任何故障，則需要利用原本的包裝將裝置送回工廠。未使用原本的包裝運輸可能會導致裝置損壞，本公司概不承擔任何責任。
- 請勿使本產品掉落或遭受撞擊。請勿讓裝置受到磁性干擾。

電源供應

- 請自行購買充電器。輸入電壓應符合 IEC62368 標準的 12 VDC 有限電源規定。如需詳細資訊，請參閱技術規格。
- 確認已將插頭正確連接至電源插座。
- 電源插座應安裝在裝置附近，而且伸手可及。
- 請勿將多個裝置連接至相同電源變壓器以避免過熱，或因過載造成火災危險。
- 關閉斷路器後，禁止觸碰進電處的外露接點。仍有電力。
- 「+」代表裝置的正極，搭配使用或產生直流電。「-」代表裝置的負極，搭配使用或產生直流電。

電池

- 注意：若更換的電池類型不正確，會有爆炸的風險。
- 請依照指示棄置使用過的電池。
- 換錯類型不正確的電池，可能會使保護措施失效 (例如，某些類型的鋰電池)。
- 禁止將電池棄置火中或高溫烤箱中，並禁止使用機械來壓碎或切碎電池，否則可能導致爆炸。
- 禁止將電池置於極高溫的環境中，否則可能導致爆炸或造成易燃液體或氣體洩漏。
- 禁止將電池置於極低空氣壓力下，否則可能導致爆炸或造成易燃液體或氣體洩漏。

安裝

- 切勿將裝置置於不牢固的地方。裝置可能會掉落，造成嚴重的人員傷亡。
- 本裝置僅可使用指定的支架。與其他物品 (推車、支架或運輸車) 搭配使用，可能會導致不穩定而造成傷害。

系統安全性

- 您瞭解網際網路在本質上具有安全風險，對於因網路攻擊、駭客攻擊、病毒感染或其他網路安全風險而造成的運作異常、隱私洩漏或其他損害，本公司一概不負責；但本公司將提供及時的技術支援。
- 請採取個人資訊與資料安全措施，因為當裝置連線到網際網路時，可能會遭遇網路安全問題。若是裝置有網路安全風險的問題，請與我們聯絡。
- 請瞭解您必須負責替裝置設定所有密碼和其他安全性設定，並記下您的使用者名稱和密碼。

維護

- 如果產品無法正常運作，請聯絡您的經銷商或最近的服務中心。對於因未經授權的維修或保養而造成的問題，本公司概不承擔任何責任。
- 部分裝置元件 (例如電解電容) 需要定期更換。平均壽命不同，因此建議定期檢查。如需詳細資訊，請聯絡您的零售商。
- 如有需要，請使用乾淨的布和少量酒精輕輕擦拭裝置。
- 如果以製造商未指定的方式使用設備，則可能會影響裝置所提供的保護。
- 為降低火災風險，只能更換類型與額定值相同的保險絲。
- 裝置的序列埠僅供調整使用。

使用環境

- 請確定操作環境符合裝置的需求。工作溫度應為 0°C 至 200°C (32°F 至 392°F)，端視安裝系統而定，並且濕度應為 95% 或更低。
- 將裝置放在乾燥且通風良好的環境中。
- 請勿使裝置暴露於高電磁輻射或塵土飛揚的環境中。
- 請勿將鏡頭瞄準陽光或任何其他明亮的光線。
- 本裝置不得暴露在會滴水或濺水的環境中，且不得將裝有液體的物品 (例如花瓶) 放在裝置上。
- 不得將開放性火源 (例如點燃的蠟燭) 放置在裝置上。
- 在特殊環境，例如山頂、鐵塔和森林中，請在裝置的進電處加上突波抑制器。
- 處理這些零件會燙傷手指 (符號：⚠)。請在關閉電源後半小時再處理這些零件。

緊急

- 如果裝置產生煙霧、異味或噪音，請立即關閉電源，拔除電源線，並聯絡維修中心。

合規性注意事項：熱像系列產品可能在不同國家或地區受到出口管制，包括但不限於美國、歐盟、英國和/或瓦森納協議的其他成員國。如果您打算在不同國家之間轉讓、出口、再出口熱像系列產品，請洽詢您的專業法律或合規性專家或地方政府機關，以瞭解任何必要的出口許可要求。

한국어

1 준비

기본 요구 사항

- 모든 전자적 작동은 해당 지역의 전기 안전 규정, 화재 예방 규정 및 기타 관련 규정을 엄격히 준수해야 합니다.
- 포장된 내용물을 확인하고 패키지에 포함된 장비의 상태가 양호하고 모든 조립 부품이 포함되어 있는지 확인하십시오.
- 작업 환경 요구 사항에 따라 시스템을 사용하십시오.

설치 환경 확인

- 카메라와 액세서리를 설치할 공간이 충분한지 확인하십시오.
- 벽이 카메라와 마운트 무게의 8배 이상을 견딜 수 있어야 합니다.

케이블 준비

- 실제 네트워크 대역폭에 따라 Cat5(100M 이내) 또는 Cat6(100M 이상)이 필요합니다.
- 카메라가 표준 12VDC 전원 공급 장치를 사용하는

경우 전원 케이블은 미국식 배선 게이지 18 이상이어야 합니다. 나선의 단면 S(mm²)와 최대 전송 거리 L(m)의 공식은 L=50*S입니다.

- 전송 거리에 따라 비디오 케이블을 선택하십시오. 비디오는 다음과 같은 최소 요구 사항을 충족해야 합니다. 75Ω 저항, 100% 구리 코어 도선, 95% 직조 구리 실드.

준비 도구

장비를 설치하기 전에 확장 나사, 전기 망치, 전기 드릴, 렌치, 스크루드라이버, 전기 프로브 및 네트워크 케이블과 같은 필요한 도구를 준비하십시오.

원 포장재

카메라의 포장을 풀 때 카메라를 반쯤하거나 수리할 경우를 대비하여 원래 포장재를 제대로 보관하십시오. 패키지를 사용하여 카메라를 포장할 수 있습니다.

노트:

원래의 포장재를 사용하지 않고 운송하여 발생한 모든 손상에 대한 책임은 사용자에게 있습니다.

2 외관 설명

2.1 외관

카메라의 외형은 다음 그림을 참조하십시오.

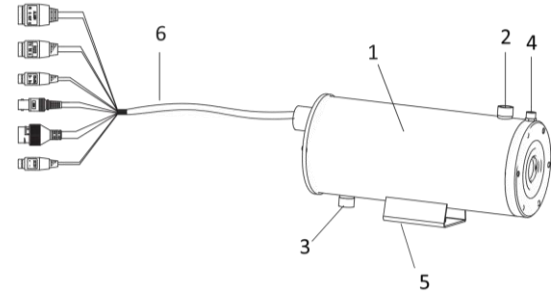


그림 2-1 외관

표 2-1 장비 설명

번호	설명
1	카메라
2	G1/2 물/공기 배출구
3	G1/2 물/공기 유입구
4	G1/4 공기 유입구
5	마운트 베이스
6	케이블

2.2 케이블 설명

카메라의 케이블 인터페이스는 그림 2-2 에 나와 있습니다.

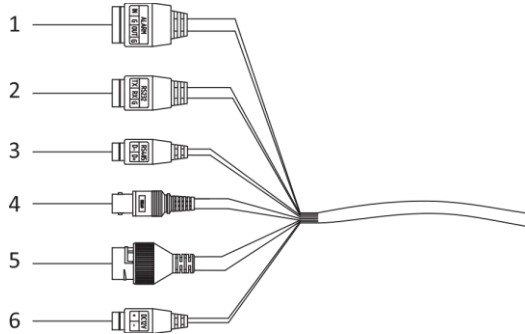


그림 2-2 카메라 케이블

표 2-2 장비 설명

번호	설명
1	알람 입력/출력
2	RS-232 케이블
3	RS-485 케이블
4	CVBS 케이블
5	RJ45 네트워크 케이블
6	전원 케이블

3 설치

3.1 배선

배선 작업 시 설치 환경 및 장비의 위치를 충분히 고려한 다음 배선하시기 바랍니다. 안정적인 전원 공급과 신호 전송을 위해 다음 사항을 철저히 준수하십시오.

- 배선 거리, 배선 환경, 자기장 간섭 등을 포함하여 배선 전에 설치 환경을 확인하십시오.
- 전선의 정격 전압은 장비에서 요구되는 것보다 높아야 전압 불안정 시 장비가 정상적으로 작동할 수 있습니다.
- 배선 시에는 하나의 완전한 케이블을 사용하는 것이 좋습니다. 그렇지 않으면 두 개의 케이블 사이의 배선 지점을 보호하기 위한 보강 조치를 취해야 합니다. 그렇지 않으면 회로 노화로 인해 장비가 비정상적으로 작동할 수 있습니다.
- 장비 케이블이 잘 보호되어 있는지 확인하고 배선 시 보강 및 보호 조치를 취하십시오.
- 케이블에 부딪혀 마그네틱 링이 손상되지 않도록 하십시오. 그렇지 않으면 장비가 비정상적으로 작동할 수 있습니다.
- 케이블이 너무 중복되거나 너무 팽팽하지 않은지 확인하십시오.
- 배선은 전문 기술자가 수행하고 완료해야 합니다. 장비가 정상적으로 작동하지 않는 경우 문제 해결을 위해 위의 정보를 확인할 수 있습니다.

3.2 카메라 설치

시작하기 전에:

브래킷은 패키지에 포함되어 있지 않습니다. 별도로 구매할 수 있습니다.

단계:

1. 벽면 장착 브래킷 템플릿의 치수에 따라 벽에 구멍 4 개를 뚫습니다.

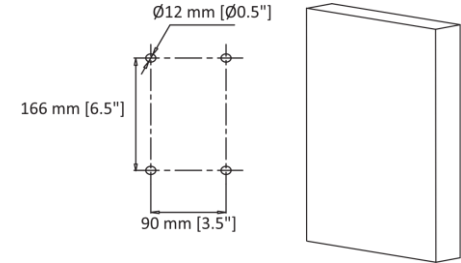


그림 3-1 벽면 드릴 구멍

2. 구멍에 M8 나사 4 개를 드릴로 천공합니다.

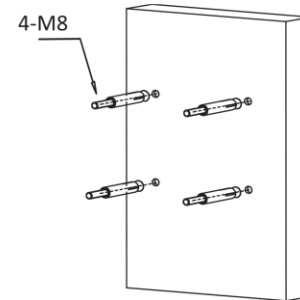


그림 3-2 M8 나사를 구멍에 드릴로 천공

3. 나사를 풀어 PT 조인트를 분리합니다.

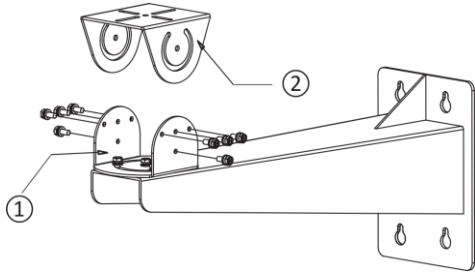


그림 3-3 PT 조인트 분리

노트: ①: PT 조인트 상단, ②: PT 조인트 하단

4. 브래킷에 있는 4 개의 구멍을 벽에 있는 4 개의 M8 나사에 맞추고 브래킷을 벽에 설치한 후 나사를 조입니다.

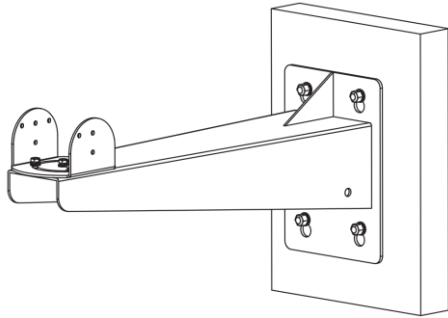


그림 3-4 브래킷 설치

5. PT 조인트 하단의 M6 나사 4 개를 풀어서 팬 각도를 조절하고 나사를 조입니다. 팬 각도는 -45° ~ 45° 사이입니다.

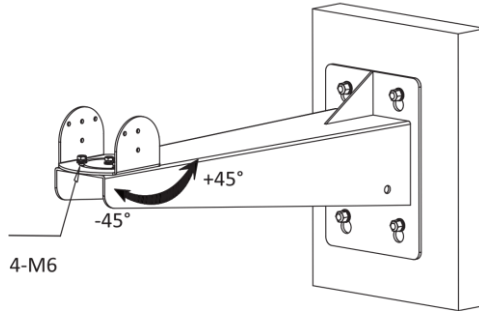


그림 3-5 팬 각도 조정

6. 4 개의 M6 나사를 사용하여 PT 조인트 상단을 카메라의 마운트 베이스에 설치합니다.

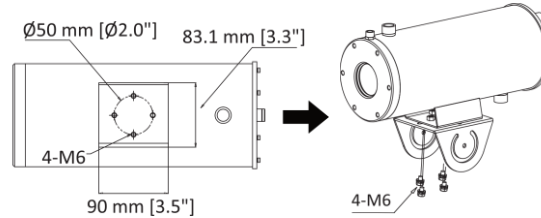


그림 3-6 카메라에 PT 조인트 상단 설치

7. 8 개의 M6 나사를 조이고 카메라의 틸트 각도를 조정합니다. 조정 후에는 나사를 조입니다. 틸트 각도는 -45° ~ 45° 사이입니다.

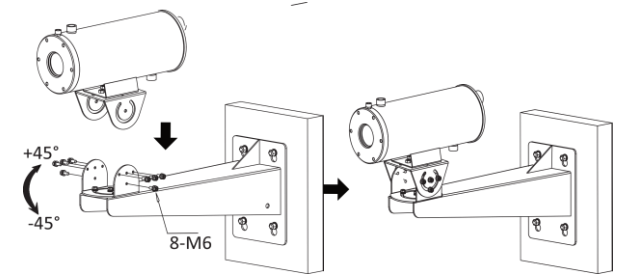


그림 3-7 틸트 각도 조정

3.3 냉각 및 방진 설치

장비가 고온 환경에서 작동하는 경우 열화상 카메라 모듈을 냉각시키기 위해 공랭 또는 수랭이 필요합니다. 방진 설치는 장비 창의 먼지를 제거하고 장비를 냉각시켜 이미지를 더 선명하게 볼 수 있도록 합니다.

시작하기 전에:

장비의 작업 환경에 따라 적절한 냉각 방법을 선택하십시오.

- 작동 온도가 50°C ~ 100°C (100°C 포함)인 경우 공랭식 방식을 선택하십시오.
- 작동 온도가 100°C ~ 200°C (200°C 포함)인 경우 수랭식 방식을 선택하십시오.

3.3.1 공기 냉각 및 방진 설치

압축 공기를 흡입하여 장비의 공동 온도를 낮출 수 있습니다.

단계:

1. 장비 하단의 압축 공기 배출구 및 ①(G1/2 공기 유입구)을 ②(G1/2 나사형 파이프)에 연결합니다.

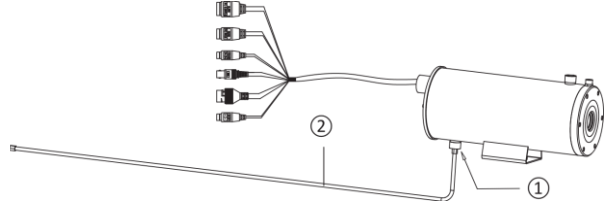


그림 3-8 공기 냉각을 위한 파이프 연결

노트:

패키지에 포함된 나사형 파이프의 길이는 1m 이며 실제 설치 요구 사항에 따라 파이프를 구입할 수 있습니다.

2. ③(G1/2 공기 배출구)과 ④(G1/4 공기 유입구)를 ⑤(어댑터)로 연결하면 압축 공기로 장비 창 의 먼지를 제거하도록 할 수 있습니다.

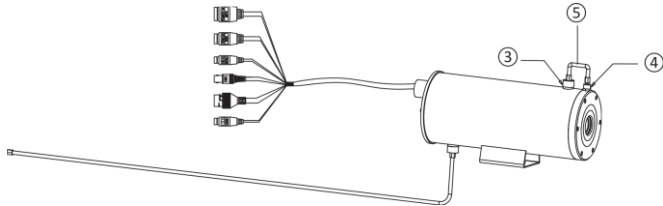


그림 3-9 방진 설치

3. 나사형 파이프를 단열재로 감쌉니다. 에어로겔과 규산 알루미늄을 사용하는 것이 좋습니다.

3.3.2 수랭식 및 방진 설치

냉각수를 흡입하여 장비의 공동 온도를 낮출 수 있습니다.

단계:

1. 냉각수 배출구와 장비 하단의 ⑥ (G1/2 물 유입구)를 ② (G1/2 나사형 파이프 1 개)에 연결하고, 역수 유입구와 장비 상단의 ⑦ (G1/2 물 배출구)를 ② (다른 G1/2 나사형 파이프)에 연결합니다.

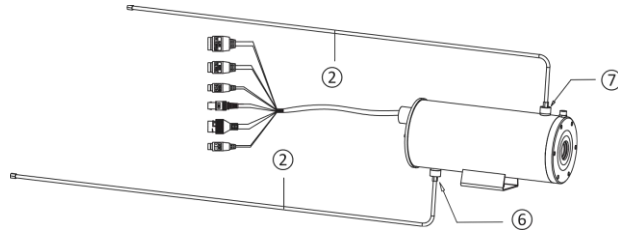


그림 3-10 수랭식 파이프 연결

노트:

파이프 끝단의 씰링 가스킷이 잘 장착되어 있는지 확인하십시오. 그렇지 않으면 방수 효과가 떨어질 수 있습니다.

2. 압축 공기 배출구와 장비 상단의 ④(G1/4 공기 유입구)를 ③(G1/4 나사형 파이프)에 연결하면 압축 공기가 장비 창 의 먼지를 제거할 수 있습니다.

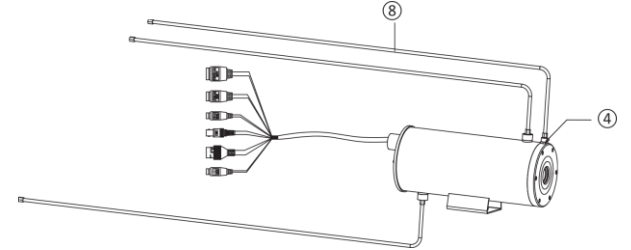


그림 3-11 방진 설치

노트:

패키지에 포함된 나사형 파이프의 길이는 1m 이며 실제 설치 요구 사항에 따라 파이프를 구입할 수 있습니다.

3. 3 개의 나사형 파이프를 단열재로 감쌉니다. 에어로겔과 규산 알루미늄을 사용하는 것이 좋습니다.

4 네트워크 카메라 활성화 및

액세스

www.hikmicrotech.com 을 방문하여 HIKMICRO Studio 를 다운로드하고 설치하십시오. 자세한 작동은 장비의 사용 설명서를 참조하십시오.

법률 정보


©2022 Hangzhou Microimage Software Co., Ltd. 판권 보유.

매뉴얼 소개

본 매뉴얼에는 제품의 사용 및 관리에 필요한 지침이 포함되어 있습니다. 매뉴얼의 그림, 차트, 이미지 및 기타 모든 정보는 설명용으로만 제공되는 것입니다. 매뉴얼에 포함된 정보는 펌웨어 업데이트 또는 다른 사유로 예고 없이 변경될 수 있습니다. 이 설명서의 최신 버전을 보려면 HIKMICRO 웹사이트(www.hikmicrotech.com/)를 참조하십시오.

본 매뉴얼은 제품 지원 교육을 받은 전문가의 안내 및 지원 하에 사용하십시오.

상표 등록

 및 기타 HIKMICRO 의 상표와 로고는 여러 관할 지역에 등록된 HIKMICRO 의 재산입니다. 기타 상표 및 로고는 각 소유자의 재산입니다.

면책 조항

관련 법률에서 허용하는 최대 범위에서 본 매뉴얼 및 설명된 제품은 하드웨어, 소프트웨어와 펌웨어의 모든 결함 및 오류가 “있는 그대로” 제공됩니다. HIKMICRO 는 상품성, 품질 만족도, 특정 목적에의 적합성 및 타사의 비침해를 포함하되 이에 국한되지 않고 명시적 또는 묵시적으로 보증하지 않습니다. 제품 사용 시 책임은 전적으로 사용자에게 있습니다. 어떠한 경우에도 HIKMICRO 은 제품의 사용과 관련해 발생하는 특별한, 결과적, 부수적 또는 간접적 손해 및 특히 사업상의 이익 손실, 운영 중단으로 인한 손해 또는 데이터의 손실, 시스템 장애 또는 문서의 손실에 대해 계약 위반, 불법 행위(과실 책임 포함), 제조물 책임 또는 그 외 제품 사용 관련성과 관계없이 일절 책임지지 않으며 HIKMICRO 이 해당 손상 또는 손실이 발생할 가능성을 권고한 경우에도 그렇습니다.

귀하는 인터넷의 특성상 본질적으로 보안 위험이 잠재해 있음을 인정하며, HIKMICRO 는 사이버 공격, 해커 공격, 바이러스 감염 또는 기타 인터넷 보안 위험으로 인해 발생한 비정상 작동, 개인정보 유출 또는 기타 손해에 대해 일절 책임지지 않습니다. 그러나 HIKMICRO 는 필요한 경우 시기적절하게 기술 지원을 제공합니다.

귀하는 해당되는 모든 법률을 준수해 본 제품을 사용하는 데 동의하며, 해당되는 법률을 준수해 사용하는 것은 전적으로 귀하의 책임입니다. 특히, 귀하는 퍼블리시터권, 지적 재산권, 데이터 보호 및 기타 개인 정보 보호권을 포함하되 이에 국한되지 않고 제 3 자의 권리를 침해하지 않는 방식으로 본


제품을 사용하는 것에 대해 책임을 집니다. 귀하는 대량 살상 무기 개발 또는 생산, 화학 또는 생물 무기 개발 또는 생산, 핵폭발 또는 안전하지 않은 핵연료 주기와 관련된 또는 인권 침해를 조장할 수 있는 개발 또는 생산을 포함해 금지된 최종 용도를 위해 본 제품을 사용하지 않습니다.


본 매뉴얼과 적용되는 법률 사이에 충돌이 발생하는 경우 법률이 우선합니다.


규제 정보

이 조항은 해당 마크 또는 정보가 있는 제품에만 적용됩니다.

EU 적합성 선언

 본 제품은 및 제공되는 액세서리(해당되는 경우)에는 “CE”가 표시되어 있으며 EMC Directive 2014/30/EU, RoHS Directive 2011/65/EU 에 명시된 적용되는 유럽 공통 표준을 준수합니다.

 2012/19/EU(WEEE 지침): 이 기호가 표시된 제품은 유럽 연합 내에서 분류되지 않은 일반폐기물로 폐기할 수 없습니다. 적절히 재활용하기 위해 등급 장비를 새로 구매할 때 현지 공급업체에 제품을 반납하거나 지정된 수거 장소에 폐기하십시오.

 자세한 내용은 www.recyclethis.info 를 참조하십시오. 2006/66/EC(배터리 지침): 본 제품에는 유럽 연합 내에서 분류되지 않은 일반폐기물로 폐기할 수 없는 배터리가 포함되어 있습니다. 특정 배터리에 관한 자세한 내용은 제품 관련 문서를 참조하십시오. 이 기호가 표시된 배터리에는 카드뮴(Cd), 납(Pb) 또는 수은(Hg)을 나타내는 글자가 포함될 수 있습니다. 적절히 재활용하기 위해 공급업체에 배터리를 반납하거나 지정된 수거 장소에 폐기하십시오. 자세한 내용 확인: www.recyclethis.info.

안전 지침

이 지침은 사용자가 제품을 올바르게 사용해 위험 또는 재산상의 손실을 방지하도록 하기 위해 제공되는 것입니다.

법률 및 규정

- 본 제품을 사용할 때는 해당 국가 및 지역의 전기 안전

규정을 철저히 준수해야 합니다.

반

- 장비를 운반할 때는 본래 포장재 또는 유사한 포장재에 장비를 놓으십시오.
- 포장을 뜯 다음에는 나중에 사용할 수 있도록 모든 포장재를 보관하십시오. 고장이 발생할 경우에는 장비를 본래 포장 상태로 포장해 공장으로 반품해야 합니다. 본래 포장 상태로 운송하지 않으면 장비가 손상될 수 있으며, 회사는 일절 책임지지 않습니다.
- 제품을 떨어뜨리거나 물리적 충격을 가하지 마십시오. 장비가 전자파의 간섭을 받지 않도록 하십시오.

전원 공급 장치

- 충전기는 직접 구입하십시오. 입력 전압은 IEC62368 표준에 따라 제한 전원(12 VDC)을 충족해야 합니다. 자세한 내용은 기술 사양을 참조하십시오.
- 플러그가 전원 소켓에 올바르게 연결되어 있는지 확인하십시오.
- 콘센트는 장비 근처에 설치되어 있어야 하고 쉽게 접근할 수 있어야 합니다.
- 과부하로 인한 과열 또는 화재 위험을 방지하기 위해 하나의 전원 어댑터에 여러 장비를 연결하지 마십시오.
- 회로 차단기가 꺼진 후 인렛에 있는 노출된 금속 접점을 손으로 만지지 마십시오. 전기가 남아 있습니다.
- +은 직류에 사용하거나 직류를 생성하는 장비의 양극 터미널을 의미합니다. -은 직류에 사용하거나 직류를 생성하는 장비의 음극 터미널을 의미합니다.

배터리

- 주의 사항: 배터리를 잘못된 유형으로 교체하면 폭발의 위험이 있습니다.
- 사용한 배터리는 지침을 준수해 폐기하십시오.
- 배터리를 잘못된 유형으로 부적절하게 교체하면 안전장치가 작동하지 않을 수 있습니다(예: 일부 리튬 배터리 유형의 경우).
- 배터리를 불 또는 뜨거운 오븐에 넣거나 기계적으로 부수거나 절단하지 마십시오. 폭발의 위험이 있습니다.
- 배터리를 주변 온도가 매우 높은 곳에 두지 마십시오.

- 폭발하거나 인화성 액체 또는 기체가 누출될 수 있습니다.
- 배터리를 기압이 매우 낮은 곳에 두지 마십시오. 폭발하거나 인화성 액체 또는 기체가 누출될 수 있습니다.

설치

- 장비를 불안정한 장소에 놓아서는 절대 안 됩니다. 장비가 추락해 심각한 부상 또는 사망을 초래할 수 있습니다.
- 이 장비는 해당하는 브래킷만 사용할 수 있습니다. 다른 브래킷(카트, 스탠드 또는 캐리어)을 사용하면 불안정해져 부상을 초래할 수 있습니다.

시스템 보안

- 귀하는 인터넷의 특성상 본질적으로 보안 위험이 잠재해 있음을 인정하며, 당사는 사이버 공격, 해커 공격, 바이러스 감염 또는 기타 인터넷 보안 위험으로 인해 발생한 비정상 작업, 개인정보 유출 또는 기타 손해에 대해 일절 책임지지 않습니다. 그러나 당사는 필요한 경우 시기적절하게 기술 지원을 제공합니다.
- 인터넷에 연결되어 있는 경우 네트워크 보안 문제가 발생할 수 있으므로 개인정보 보호 및 데이터 보안을 강화해 주시기 바랍니다. 장비에 네트워크 보안 위험이 있을 수 있는 경우 당사에 연락해 주십시오.
- 귀하는 장비와 관련된 모든 비밀번호 및 기타 보안 설정을 구성하고 사용자 이름 및 비밀번호를 관리할 책임이 있음을 이해합니다.

유지 관리

- 제품이 제대로 작동하지 않을 경우 판매점 또는 가까운 서비스 센터에 문의하십시오. 당사는 무단 수리 또는 유지 관리로 인해 발생한 문제에 대해 일절 책임지지 않습니다.
- 장비의 일부 구성 요소(예: 전해 커패시터)는 주기적으로 교체해야 합니다. 평균 수명은 상황에 따라 다르므로 정기 점검을 권장합니다. 자세한 내용은 판매점에 문의하십시오.
- 필요한 경우 깨끗한 헝겊에 에탄올을 소량 묻혀 장비를 살살 닦아주십시오.
- 제조사가 지정하지 않은 방식으로 장비를 사용하는 경우 장비에 의해 제공되는 보호 성능이 손상될 수 있습니다.
- 화재의 위험을 방지하기 위해 유형 및 등급이 동일한 퓨즈로만 교체하십시오.

- 장비의 시리얼 포트는 디버깅에만 사용됩니다.

사용 환경

- 작동 환경이 장비의 작동 요구 사항을 충족하도록 하십시오. 작동 온도는 설치 시스템에 따라 0°C~200°C(32°F~392°F)이고, 습도는 95% 이하이어야 합니다.
- 장비를 건조하고 통풍이 잘되는 환경에 두십시오.
- 장비를 전자파 방사가 높거나 먼지가 많은 환경에 노출하지 마십시오.
- 렌즈를 태양 또는 기타 밝은 빛에 조준하지 마십시오.
- 물이 떨어지거나 튀는 곳에 장비를 노출되어서는 안 되며 꽃병과 같이 액체가 들어 있는 물체를 장비 위에 두어서는 안 됩니다.
- 불이 켜진 촛불과 같이 불꽃이 드러나는 화염원을 장비 위에 놓지 마십시오.
- 산 정상, 절타, 숲과 같은 특수한 조건에서 장비의 인렛 개구부에 서지 억제기를 사용하십시오.
- ⚠ 기호가 있는 부품을 취급할 때는 손가락에 화상을 입을 수 있습니다. 부품을 다루기 전에 전원을 끈 후 약 30분 기다리십시오.

비상 버튼

- 장비에서 연기, 냄새 또는 소음이 발생하면 즉시 전원을 끄고 전원 케이블을 뽑은 다음 서비스 센터에 연락하십시오.

규정 준수 알림: 열화상 시리즈 제품은 미국, 유럽 연합, 영국 및/또는 기타 바세나르 협정국을 포함하되 이에 국한되지 않고 여러 국가 및 지역의 수출 통제 대상이 될 수 있습니다. 열화상 시리즈 제품을 국가 간 운송, 수출, 재수출하려는 경우 필요한 수출 라이선스 요구 사항에 대해 법률 또는 규정 준수 전문가 또는 해당 국가의 정부 기관에 문의하십시오.

日本語

1 準備

基本要件

- 電気的な操作はすべてお住いの地域の電気保安規制、防火規制、その他の関連規制に厳格に従う必要があります。
- パッケージの中身をチェックし、パッケージの中の機器の状態と、すべての組み立て部品が含まれていることを確認してください。
- 作業環境要件に従ってシステムを使用してください。

取付環境のチェック

- カメラとアクセサリを設置するのに十分なスペースがあることを確認してください。
- 壁面が、カメラとマウントの重量の少なくとも8倍の重量に耐えられる十分な強度を持っていることを確認してください。

ケーブルの準備

- 実際のネットワークの帯域幅に応じて、CAT-5(100M)またはCAT-6(100M以上)が必要です。
- カメラが標準の12V Dc電源を使用する場合、電源ケーブルはアメリカのワイヤゲージ規格で18以上である必要があります。断面図 $S(\text{mm}^2)$ および裸線の最大伝送距離 $L(\text{m})$ は、 $L=50*S$ で計算されます。
- 伝送長さにあわせてビデオ ケーブルを選択してください。ビデオケーブルは、次の最小要件を満たす必要があります。インピーダンス : 75Ω; 100% 銅製芯線, 95% 銅網線シールド。

工具の準備

取付前に、拡張ねじ、電気ハンマ、電気ドリル、レンチ、ドライバー、マルチメーター、ネットワーク ケーブルなどの工具を準備してください。

オリジナル パッケージ

カメラを開梱したら、カメラの返品または修理の場合に備えて、元のパッケージを適切に保管してください。パッケージにカメラを梱包できます。

注：

オリジナル パッケージ以外を使用して搬送した場合は、ユーザーは引き起こされたあらゆる損害に責任を負う必要があります。

2 外観の説明

2.1 外観

カメラの外観については以下の図を参照してください：

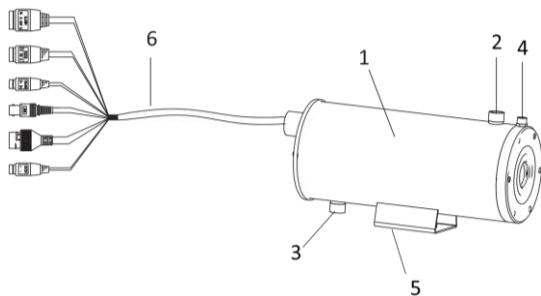


図 2-1 外観

表 2-1 デバイスの説明

番号	説明
1	カメラ

番号	説明
2	G1/2 水/空気排出孔
3	G1/2 水/空気吸入孔
4	G1/4 空気吸入孔
5	マウントベース
6	ケーブル

2.2 ケーブルの説明

カメラのケーブルインターフェイスを図 2-20 に示します。

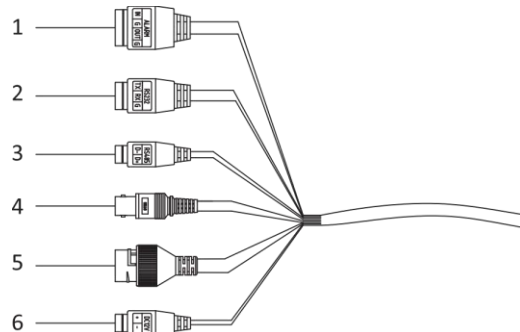


図 2-2 カメラのケーブル

表 2-2 デバイスの説明

番号	説明
1	アラーム入力/出力

2	RS-232 ケーブル
3	RS-485 ケーブル
4	CVBS ケーブル
5	RJ45 ネットワークケーブル
6	電源ケーブル

3 設置

3.1 配線

配線は、設置環境や装置の位置を十分考慮して計画してください。安定した電力供給と信号伝送を確実に供給するために、次のルールに厳密に従ってください。

- 配線距離、配線環境、磁界干渉などの設置環境を確認してから配線してください。
- ケーブルの定格電圧は、デバイスが必要とする電圧よりも高くする必要があります。これにより、電圧が不安定になったときでもデバイスが正常に動作できるようになります。
- 配線には単一の完全なケーブルを使用することをお勧めします。そうでない場合は、2本のケーブル間の配線ポイントを保護するための強化措置を講じる必要があります。そうしないと、回路の経年劣化によりデバイスの動作に異常が生じる可能性があります。
- デバイスのケーブルが十分に保護されていることを確認し、配線中に、補強および保護措置を講じてください。
- ケーブルに衝撃を与えたり、磁気リングを損傷したりしないでください。デバイスの動作に異常が生じる可能性があります。

- ケーブルが長すぎたり、きつすぎたりしないようにしてください。
- 配線は専門の技術者が行ってください。デバイスが正常に動作しない場合は、トラブルシューティングのために上記の情報をご確認ください。

3.2 カメラの設置

始める前に:

取付金具はパッケージに含まれていません。別途購入してください。

手順:

1. 壁面取付金具テンプレートの寸法に従って、壁に4つの穴をドリルで開けます。

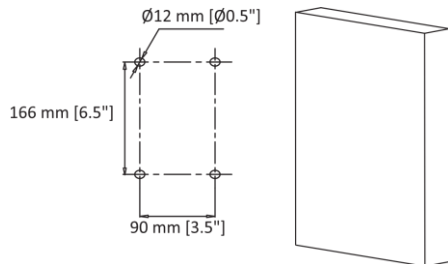


図 3-1 壁にドリルで穴を開ける

2. 4本のM8ネジを穴にねじ込みます。

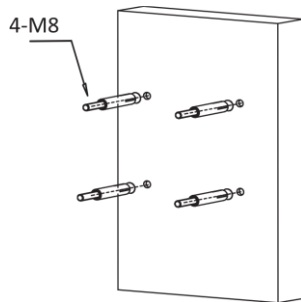


図 3-2 M8 ネジを穴にねじ込む

3. ネジを緩めて外し、PTジョイントを分解します。

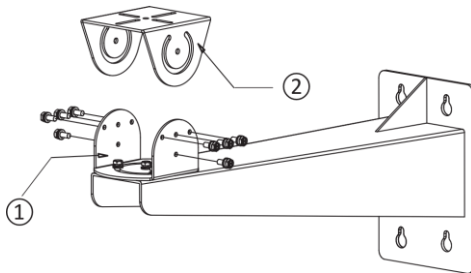


図 3-3 PT ジョイントの分解

注：①：PTジョイント底面；②：PTジョイント上面

4. 取付金具の4つの穴を壁の4つのM8ネジと合わせ、取付金具を壁に取り付け、ネジを締めます。

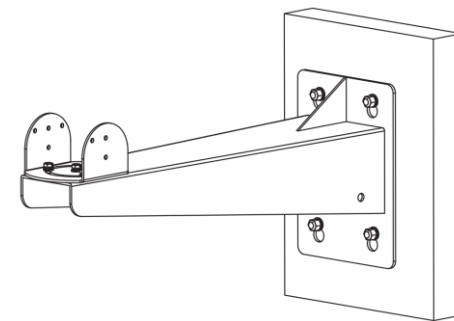


図 3-4 取付金具の設置

5. PTジョイント底部のM6ネジ4本を緩めてパン角度を調整し、調整後、ネジを締めます。パン角度は-45°から45°です。

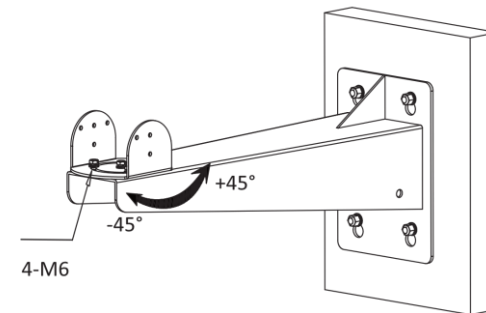


図 3-5 パン角度の調整

6. カメラのマウントベースにPTジョイント上部をM6ネジ4本で取り付けます。

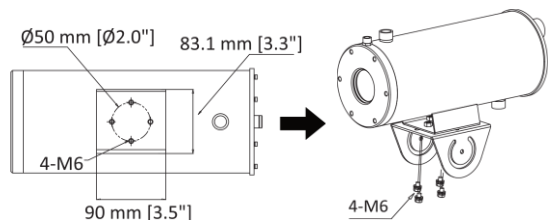


図 3-6 PT ジョイント上部のカメラ取り付け

7. 8本のM6ネジをねじ込み、カメラのチルト角度を調整します。調整後、ネジを締めます。チルト角度は-45°から+45°です。

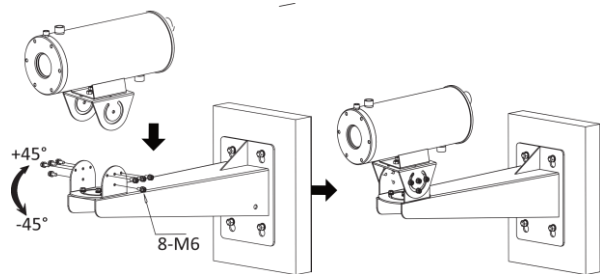


図 3-7 チルト角度の調整

3.3 冷却および防塵機構の設置

デバイスが高温環境で動作する場合、サーマルカメラモジュールを冷却するために空冷または水冷措置が必要です。防塵機構は、デバイスウィンドウからほこりを取り除き、デバイスを冷却するのに役立つため、画像がより鮮明になります。

始める前に:

装置の使用環境に応じて、適切な冷却方法を選択してください。

- 動作温度が 50°C ~ 100°C (100°C 含む) の場合は、空冷方式を選択してください。
- 使用温度が 100°C ~ 200°C (200°C 含む) の場合は、水冷方式を選択してください。

3.3.1 空冷および防塵機構の設置

圧縮空気を送り込むことで、デバイスの内部温度を下げるができます。

手順:

1. 装置下部の圧縮空排出孔と① (G1/2 空気吸入孔) を② (G1/2 ねじ込みパイプ) で接続します。

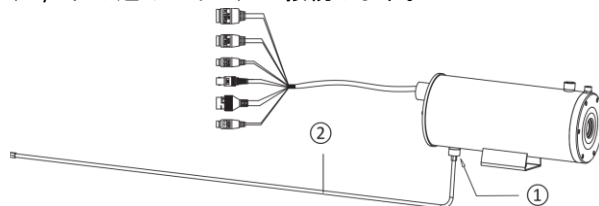


図 3-8 空冷用配管接続

注:

パッケージ内のねじ込みパイプの長さは1mで、パイプは実際の設置要件に応じてご購入いただけます。

2. ③ (G1/2 空気排出孔) と④ (G1/4 空気吸入孔) を⑤ (アダプター) で接続すると、圧縮空気でデバイスのウィンドウのゴミを取り除くことができます。

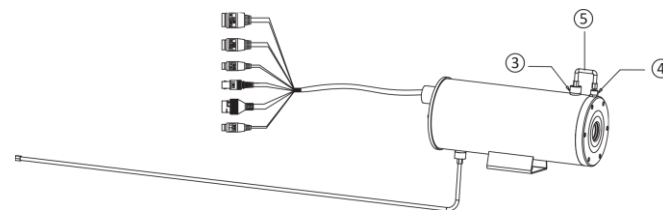


図 3-9 防塵機構の取り付け

3. ねじ込みパイプを断熱材で包みます。エアロゲルとケイ酸アルミニウムが推奨されます。

3.3.2 水冷および防塵機構の設置

冷却水を送り込むことで、デバイスの内部温度を下げるができます。

手順:

1. 装置下部の冷却水排出孔と⑥ (G1/2 吸水孔) を② (G1/2 ねじ込みパイプ 1本) で接続し、逆吸水孔とデバイス上部の⑦ (G1/2 排水孔) を② (もう一方の G1/2 ねじ込みパイプ) で接続します。

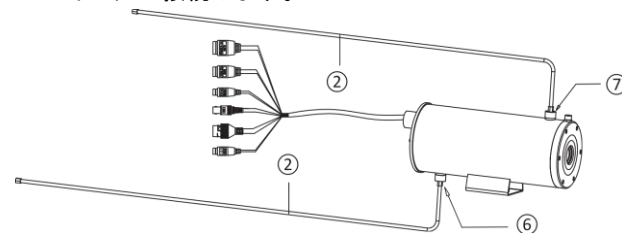


図 3-10 水冷用配管接続

注:

パイプの末端にあるシーリングガスケットがしっかりと取り付けられていることを確認してください。防水効果が損なわれる可能性があります。

2. 圧縮空気排出孔とデバイス上部の④ (G1/4 空気吸入孔) を⑧ (G1/4 ねじ込みパイプ) で接続すると、圧縮空気でデバイスのウィンドウのゴミを取り除くことができます。

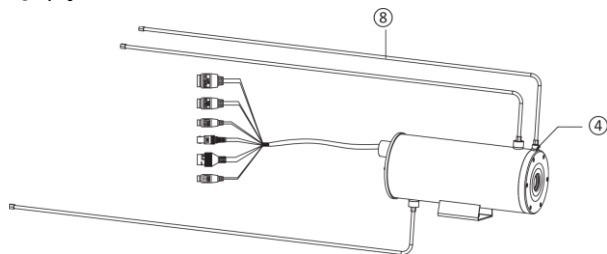


図 3-11 防塵機構の取り付け

注：

パッケージ内のねじ込みパイプの長さは 1m で、パイプは実際の設置要件に応じてご購入いただけます。

3. 3本のねじ込みパイプを断熱材で包みます。エアロゲルとケイ酸アルミニウムが推奨されます。

4 ネットワークカメラのアクティベーションとアクセス

www.hikmicrotech.com にアクセスして HIKMICRO Studio をダウンロードしてください。操作の詳細についてはデバイスのユーザーマニュアルを参照してください。

法的情報


©2022 Hangzhou Microimage Software Co., Ltd. 禁・無断複製。

本マニュアルについて

本マニュアルには製品の使用および管理についての指示が含まれています。ここに記載されている写真、表、画像およびその他のすべての情報は説明のみを目的としています。本マニュアルに含まれる情報は、ファームウェア更新やその他の理由で通知なく変更されることがあります。HIKMICRO のサイト (www.hikmicrotech.com/) で、本書の最新版をご覧ください。

本マニュアルは、本製品をサポートする訓練を受けた専門家の指導・支援を受けた上でご使用ください。

商標に関する確認

 HIKMICRO およびその他の HIKMICRO の商標とロゴは、様々な裁判管轄地域における HIKMICRO の所有物です。言及されているその他の商標およびロゴは、各権利保有者の所有物です。

免責事項

適用法で認められる最大限の範囲で、本マニュアルおよび説明されている製品 (ハードウェア、ソフトウェア、および本製品を含む) は、「現状のまま」および「すべての欠陥とエラーがある」状態で提供されます。HIKMICRO では、明示あるいは黙示を問わず、商品性、満足の品質、または特定目的に対する適合性などを一切保証しません。本製品は、お客様の自己責任においてご利用ください。HIKMICRO は、本製品の利用に関連する事業利益の損失や事業妨害、データの損失、システムの障害、文書の損失に関する損害を含む特別、必然、偶発または間接的な損害に対して、それが契約に対する違反、不法行為(過失を含む)、製品の責任または製品の使用に関連するものであっても、たとえ HIKMICRO がそうした損害および損失について通知を受けていたとしても、一切の責任を負いません。お客様は、インターネットにはその性質上固有のセキュリティリスクがあることを了解し、異常動作、プライバシーの流出、またはサイバー攻撃、ハッカー攻撃、ウィルス感染等のインターネットセキュリティリスクによる損害について、HIKMICRO は一切責任を負い

ません。ただし、必要に応じて HIKMICRO は適時技術的サポートを提供します。

お客様には、すべての適用法に従って本製品を利用し、さらにご自分の利用法が適用法を順守していることを確認する責任があります。特に、肖像権、知的財産権、またはデータ保護等のプライバシー権を非限定的に含むサードパーティの権利を侵害しない手段で本製品を利用する責任があります。大量破壊兵器の開発や生産、化学兵器・生物兵器の開発や生産、核爆発物や危険な核燃料サイクル、または人権侵害に資する活動を含む、禁じられている最終用途の目的で本製品を使用してはなりません。

本マニュアルと適用法における矛盾がある場合については、後者が優先されます。

規制情報

これらの条項は、対応するマークまたは情報が付された製品にのみ適用されます。

EU 適合宣言



本製品および -該当する場合- 付属品は、「CE」のマークが付いており、EMC 指令 2014/30/EU、RoHS 指令 2011/65/EU の下に記載されている該当欧州統一規格に準拠しています。



2012/19/EU (WEEE 指令): この記号が付いている製品は、欧州連合 (EU) の地方自治体の未分別廃棄物として処分できません。適切にリサイクルするために、本製品は同等の新しい装置を購入する際に、お近くの販売業者に返却いただくか、指定された収集場所へ処分

してください。より詳細な情報については以下をご確認ください: www.recyclethis.info



2006/66/EC (バッテリー指令): 本製品には、欧州連合 (EU) の地方自治体の未分別廃棄物として処分できないバッテリーが含まれています。特殊バッテリー情報に関する製品資料をご覧ください。バッテリーにはこの記号が付いており、カドミウム (Cd)、鉛 (Pb)、水銀 (Hg)

を示す文字も記載されています。適切にリサイクルするために、販売業者か、指定された収集場所へ返却ください。詳細については次の URL を参照してください: www.recyclethis.info.

安全上の指示

これらの指示は、ユーザーが製品を正しく使用し、危険や財産損失を回避できるように保証することを目的としています。

法規と規則

- 製品の使用にあたって、国や地域の電気の安全性に関する法令に厳密にしたがう必要があります。

輸送

- 輸送中は、デバイスを元のパッケージまたは類似したパッケージに梱包してください。
- 開梱後は、後日使用できるように、梱包材を保存しておいてください。不具合が発生した場合、元の梱包材を使用して工場に機器を返送する必要があります。元の梱包材を使用せずに返送した場合、破損が発生する恐れがありますが、その際に、当社は一切責任を負いません。
- 製品を落下させたり、物理的な衝撃を与えないでください。本器を電磁妨害から遠ざけてください。

電源

- ご自分で充電器をお求めください。入力電圧は、IEC62368 規格の 12V DC 限定電源に適合する必要があります。詳細情報に関しては技術仕様を参照してください。
- プラグが適切に電源ソケットに接続されていることを確認してください。
- ソケットアウトレットは、簡単にアクセスできるように、機器の近くに取り付けてください。
- 1 台の電源アダプターに 2 台以上の機器を接続してはなりません。過負荷によって過熱したり、火災発生の危険があります。
- サークイットブレーカーをオンにしたら、インレットの金属接点に直接指を触れないでください。通電されています。
- +は、直流で使用されるか、または直流の電流を生成する機器の正極端子を識別します。-は、直流で使用されるか、または直流

の電流を生成する機器の負極端子を識別します。

バッテリー

- 注意: バッテリーを不正な種別のものと交換すると爆発の危険があります。
- 使用済みバッテリーは、指示に従って廃棄してください。
- 不正な種別のバッテリーとの不適切な交換は、安全装置を無効にする場合があります(たとえば、一部のリチウムバッテリータイプの場合など)。
- バッテリーを火や高温のオープンの中に投入したり、バッテリーを機械的に粉砕したり切断したりしないでください。爆発の原因となることがあります。
- バッテリーを非常に高温の環境に放置しないでください。爆発や、可燃性の液体およびガスの漏出を引き起こす可能性があります。
- バッテリーを極端に低い空気圧下に置かないでください。爆発したり、可燃性の液体やガスが漏出することがあります。

設置

- 機器は不安定な場所に置かないでください。機器が落下して、使用者が死亡したり怪我を負う恐れがあります。
- この機器は、対応するブラケットでのみ使用できます。他のもの(カート、スタンド、キャリア)などで使用すると、不安定になり、けがをする可能性があります。

システムのセキュリティ

- お客様は、インターネットにはその性質上固有のセキュリティリスクがあることを了解し、異常動作、プライバシーの流出、またはサイバー攻撃やハッカー攻撃などによるその他の損害について、当社は一切責任を負いません。ただし、必要に応じて当社は適時技術的サポートを提供します。
- インターネットに接続するとデバイスがネットワークセキュリティの問題に直面することがありますから、個人情報やデータセキュリティを確実に保護してください。デバイスにネットワークセキュリティのリスクがある場合は、当社にご連絡ください。

- お客様は、デバイスに関するすべてのパスワードやその他のセキュリティ設定を行い、ユーザー名とパスワードを保管する責任があることをご理解ください。

メンテナンス

- 製品が正しく動作しない場合、販売店または最寄りのサービスセンターに連絡してください。承認されていない修理や保守行為による問題について、当社はいかなる責任も負いません。
- 一部のデバイスコンポーネント(電解コンデンサなど)は、定期的に交換する必要があります。製品の平均寿命は変動するため、定期的な点検をお勧めします。詳細については、販売店にお問い合わせください。
- 必要ならば、 Etaノールを少量含ませたきれいな布でデバイスを静かに拭きます。
- メーカーが指定していない方法で使用した場合、デバイスが提供する保護機能が損なわれる恐れがあります。
- 火災の危険を減らすために、ヒューズは同じ種類、定格のもののみ交換してください。
- 機器のシリアルポートはデバッグの目的にのみ使用されます。

使用環境

- 実行環境がデバイスの要件を満たしていることを確認します。動作温度は設置するシステムに応じて 0°C~200°C (32°F~392°F) で、湿度は 95%以下です。
- デバイスは、乾燥して換気の良い環境に配置してください。
- デバイスを強い電磁波や埃の多い環境にさらさないでください。
- レンズを太陽や極端に明るい場所に向けないでください。
- 機器を水滴や水しぶきにさらさないでください。また、花瓶などの液体が入った物を機器の上に置かないでください。
- ろうそくの火のような裸火を機器の上に置かないでください。
- 山頂、鉄塔、森林などの特殊な状況では、機器のインレット開口にサージ防護機器を設置してください。
- 記号▲の付いた部分に手を触れると火傷します。スイッチを切って 30 分経過してから、部品に手を触れてください。

緊急

- デバイスから煙や異臭、異音が発生した場合、すぐに電源を切り、電源ケーブルを抜いて、サービスセンターにご連絡ください。

法令順守通知：本サーマルシリーズ製品は、アメリカ合衆国、欧州連合、英国などワッセナー・アレンジメントの会員国を含むがそれだけに限定されない各国・各地域で、輸出管理の対象となる可能性があります。サーマルシリーズ製品を外国へ転送・輸出・再輸出する場合は、貴社の法務・コンプライアンス部門もしくは自国の政府機関に、輸出ライセンスの条件についてご確認ください。

Bahasa Indonesia**1 Persiapan****Persyaratan Dasar**

- Semua pengoperasian alat elektronik harus benar-benar mematuhi peraturan keselamatan listrik, peraturan pencegahan kebakaran, dan peraturan terkait lainnya di wilayah Anda.
- Periksa isi kemasan dan pastikan perangkat di dalam kemasan dalam kondisi baik dan semua komponen rakitan sudah disertakan.
- Gunakan sistem sesuai dengan persyaratan lingkungan kerja.

Pemeriksaan Lingkungan Pemasangan

- Pastikan ada ruang yang cukup untuk memasang kamera dan aksesorinya.
- Pastikan dinding cukup kuat untuk menahan setidaknya 8 kali berat kamera dan dudukannya.

Mempersiapkan Kabel

- Sesuai dengan bandwidth jaringan yang sebenarnya,

diperlukan Cat5 (dalam 100 M) atau Cat6 (100 M lebih).

- Ketika kamera menggunakan catu daya 12 VDC standar, kabel daya yang digunakan harus berukuran Tolok Dawai Amerika 18 atau di atasnya. Rumus penampang S (mm²) dan jarak transmisi maksimum L (m) dari kawat telanjang adalah $L=50*S$.
- Pilih kabel video sesuai dengan panjang transmisi. Kabel video harus memenuhi persyaratan minimal sebagai berikut: Resistansi 75Ω; 100% kawat konduktor inti tembaga; 95% jalinan selubung tembaga.

Mempersiapkan Peralatan

Sebelum pemasangan, harap siapkan alat-alat yang dibutuhkan, seperti sekrup ekspansi, palu listrik, bor listrik, kunci pas, obeng, penguji tegangan, dan kabel jaringan.

Kemasan asli

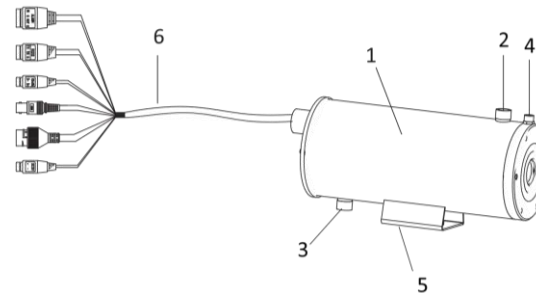
Saat Anda membongkar kemasan kamera, harap simpan kemasan aslinya dengan benar untuk digunakan saat Anda mengembalikan atau memperbaiki kamera. Anda dapat mengemas kamera dengan kemasan tersebut.

Catatan:

Pengguna bertanggung jawab atas segala kerusakan yang terjadi saat pengiriman dengan kemasan selain kemasan asli.

2 Deskripsi Tampilan**2.1 Tampilan**

Lihat gambar berikut untuk tampilan kamera.



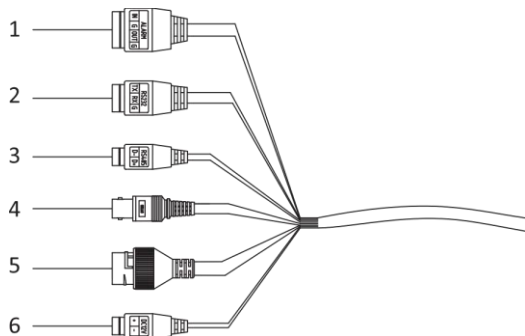
Gambar 2-1 Tampilan

Tabel 2-1 Deskripsi Perangkat

No.	Deskripsi
1	Kamera
2	Outlet Air/Udara G1/2
3	Inlet Air/Udara G1/2
4	Inlet Udara G1/4
5	Dudukan Pemasangan
6	Kabel

2.2 Deskripsi Kabel

Antarmuka kabel kamera ditampilkan dalam Gambar 2-20.



Gambar 2-2 Kabel Kamera

Tabel 2-2 Deskripsi Perangkat

No.	Deskripsi
1	Input/Output Alarm
2	Kabel RS-232
3	Kabel RS-485
4	Kabel CVBS
5	Kabel Jaringan RJ45
6	Kabel Daya

3 Pemasangan

3.1 Pemasangan kabel

Harap pertimbangkan dengan baik lingkungan pemasangan dan posisi perangkat saat Anda merencanakan pemasangan kabel. Untuk memastikan catu daya dan transmisi sinyal stabil, patuhi aturan di bawah ini:

- Periksa lingkungan pemasangan sebelum pemasangan kabel, termasuk jarak kabel, lingkungan pengkabelan, interferensi medan magnet, dll.
- Rating tegangan kabel harus lebih tinggi dari yang dibutuhkan perangkat, sehingga perangkat dapat bekerja secara normal ketika tegangan tidak stabil.
- Disarankan untuk menggunakan satu kabel utuh untuk pengkabelan; jika tidak, tindakan penguatan harus dilakukan untuk melindungi titik pengkabelan antara dua kabel, atau perangkat dapat berfungsi secara tidak normal akibat keausan sirkuit.
- Pastikan kabel perangkat terlindungi dengan baik, dan lakukan penguatan dan tindakan perlindungan selama pemasangan kabel.
- Jangan membenturkan kabel dan merusak cincin magnet, atau perangkat dapat berfungsi secara tidak normal.
- Pastikan kabel tidak terlalu berlebihan (kendur) atau diregangkan terlalu kencang.
- Pemasangan kabel harus dilakukan oleh teknisi profesional. Ketika perangkat tidak dapat berfungsi secara normal, Anda dapat memeriksa informasi di atas untuk pemecahan masalah.

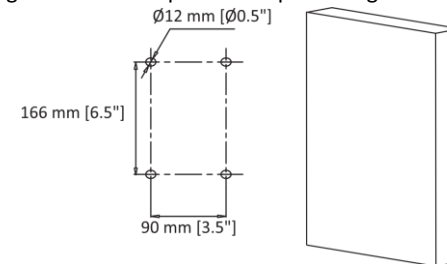
3.2 Pemasangan Kamera

Sebelum Anda memulai:

Braket tidak disertakan dalam kemasan. Harap beli secara terpisah.

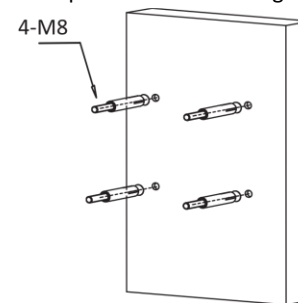
Langkah-langkah:

1. Buat empat lubang di dinding menggunakan bor sesuai dengan dimensi templat braket pemasangan di dinding.



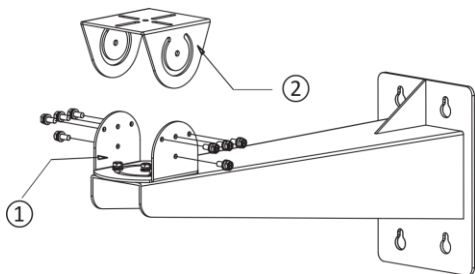
Gambar 3-1 Buat Lubang Dengan Bor di Dinding

2. Pasang empat sekrup M8 ke dalam lubang menggunakan bor.



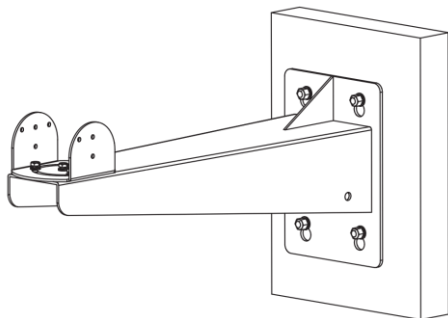
Gambar 3-2 Pasang Sekrup M8 dengan Bor ke dalam Lubang

3. Longgarkan dan lepaskan sekrup untuk membongkar sambungan PT.



Gambar 3-3 Membongkar Sambungan PT

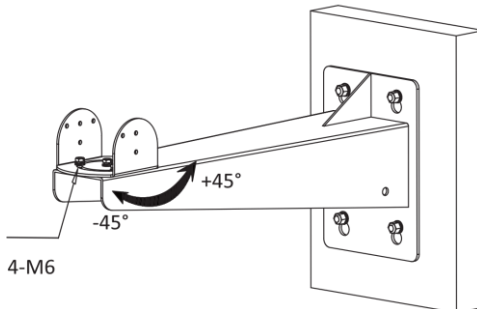
- Catatan:** ①: Sambungan PT Bawah; ②: Sambungan PT Atas
4. Sejajarkan keempat lubang pada braket dengan keempat sekrup M8 di dinding, pasang braket di dinding, dan kencangkan sekrupnya.



Gambar 3-4 Memasang Braket

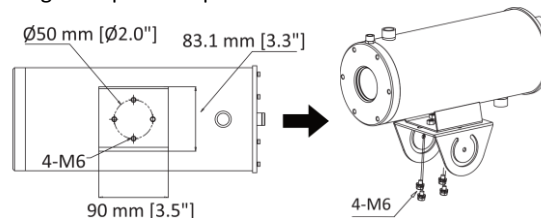
5. Longgarkan keempat sekrup M6 di bagian bawah sambungan PT untuk menyesuaikan sudut pelimbangan (panning), dan

kencangkan sekrup setelah penyetelan. Sudut pelimbangan antara -45° hingga 45° .



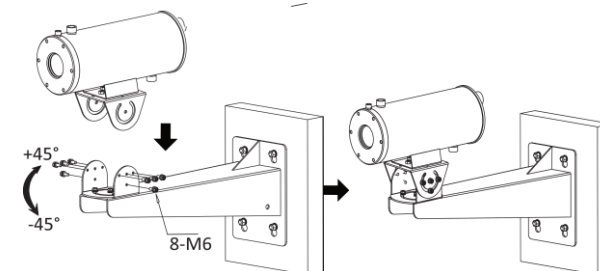
Gambar 3-5 Atur Sudut Pelimbangan

6. Pasang bagian atas sambungan PT ke alas pemasangan kamera dengan empat sekrup M6.



Gambar 3-6 Pasang Bagian Atas Sambungan PT dengan Kamera

7. Pasang delapan sekrup M6, dan sesuaikan sudut kemiringan kamera. Kencangkan sekrup setelah penyetelan. Sudut kemiringan antara -45° hingga 45° .



Gambar 3-7 Atur Sudut Kemiringan

3.3 Instalasi Pendingin dan Pembersih Debu

Pendingin udara atau air diperlukan untuk mendinginkan modul kamera termal jika perangkat bekerja di lingkungan bersuhu tinggi. Instalasi pembersih debu membantu menghilangkan debu dari jendela perangkat dan mendinginkan perangkat, sehingga gambar menjadi lebih jelas.

Sebelum Anda memulai:

Pilih metode pendinginan yang tepat sesuai dengan lingkungan kerja perangkat.

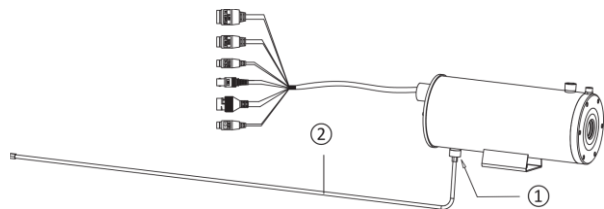
- Jika suhu kerja antara 50°C dan 100°C (termasuk 100°C), pilih metode pendingin udara.
- Jika suhu kerja antara 100°C dan 200°C (termasuk 200°C), pilih metode pendingin air.

3.3.1 Instalasi Pendingin Udara dan Pembersih Debu

Anda dapat memasukkan udara terkompresi untuk mengurangi suhu rongga perangkat.

Langkah-langkah:

1. Hubungkan outlet udara terkompresi dan ① (inlet udara G1/2) di bagian bawah perangkat dengan ② (pipa ulir G1/2).

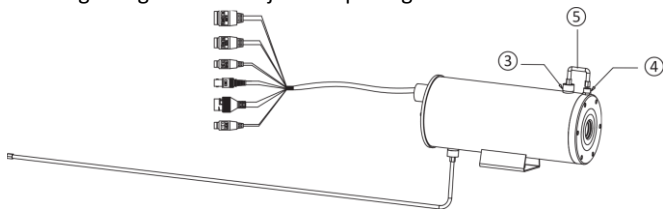


Gambar 3-8 Sambungan Pipa untuk Pendingin Udara

Catatan:

Panjang pipa ulir dalam kemasan adalah 1 m, dan Anda dapat membeli pipa sesuai dengan kebutuhan pemasangan yang sebenarnya.

2. Hubungkan ③ (outlet udara G1/2) dan ④ (inlet udara G1/4) dengan ⑤ (adaptor), sehingga udara terkompresi dapat menghilangkan debu di jendela perangkat.



Gambar 3-9 Memasang Pembersih Debu

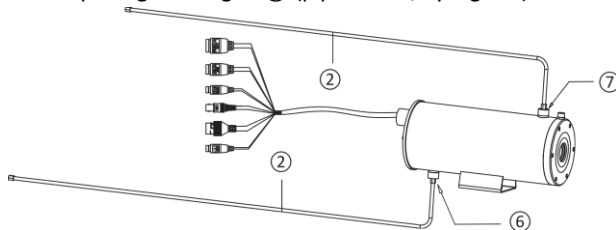
3. Bungkus pipa ulir dengan bahan insulasi termal. Direkomendasikan untuk menggunakan aerogel dan aluminium silikat.

3.3.2 Instalasi Pendingin Air dan Pembersih Debu

Anda dapat memasukkan air pendingin untuk mengurangi suhu rongga perangkat.

Langkah-langkah:

1. Hubungkan outlet air pendingin dan ⑥ (inlet air G1/2) di bagian bawah perangkat dengan ② (satu pipa ulir G1/2), dan hubungkan inlet air balik dan ⑦ (outlet air G1/2) pada bagian atas perangkat dengan ② (pipa ulir G1/2 yang lain).

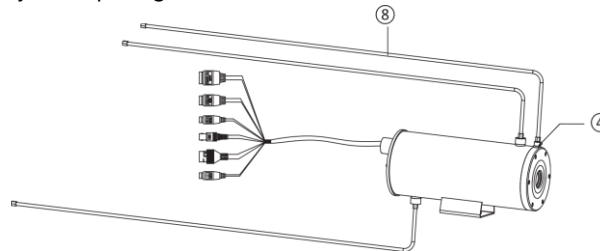


Gambar 3-10 Sambungan Pipa untuk Pendingin Air

Catatan:

Pastikan gasket rapat (sealing) di ujung pipa terpasang dengan baik, atau efek kedap air dapat terganggu.

2. Hubungkan outlet udara terkompresi dan ④ (inlet udara G1/4) pada bagian atas perangkat dengan ⑧ (pipa ulir G1/4), sehingga udara terkompresi dapat menghilangkan debu di jendela perangkat.



Gambar 3-11 Memasang Pembersih Debu

Catatan:

Panjang pipa ulir dalam kemasan adalah 1 m, dan Anda dapat membeli pipa sesuai dengan kebutuhan pemasangan yang sebenarnya.

3. Bungkus ketiga pipa ulir dengan bahan insulasi termal. Direkomendasikan untuk menggunakan aerogel dan aluminium silikat.

4 Mengaktifkan dan Mengakses Kamera Jaringan

Kunjungi www.hikmicrotech.com untuk mengunduh dan menginstal HIKMICRO Studio. Lihat panduan pengguna perangkat untuk detail mengenai pengoperasian.

Informasi Hukum


©2022 Hangzhou Microimage Software Co., Ltd. Hak dilindungi.

Tentang Manual ini

Manual ini berisi petunjuk untuk menggunakan dan mengelola produk. Foto, diagram, gambar, dan semua informasi lain di dalam dokumen ini hanya untuk gambaran dan penjelasan. Informasi yang ada di dalam Manual ini dapat berubah, tanpa pemberitahuan, akibat adanya pembaruan firmware atau sebab lain. Dapatkan versi terbaru Manual ini di situs web HIKMICRO (www.hikmicrotech.com/).

Harap gunakan Manual ini dengan panduan dan bantuan tenaga profesional yang terlatih dalam mendukung Produk ini.

Pengakuan Merek Dagang

 HIKMICRO dan merek dagang serta logo HIKMICRO lainnya adalah milik HIKMICRO di berbagai wilayah hukum.

Merek dagang dan logo lain yang disebutkan dalam dokumen ini adalah milik pemilik yang bersangkutan.

Penafian

SEPANJANG DIPERBOLEHKAN OLEH PERATURAN YANG BERLAKU, MANUAL INI DAN PRODUK YANG DIJELASKAN, BERSERTA PERANGKAT KERAS, PERANGKAT LUNAK, DAN FIRMWARE, DISEDIAKAN "SEPERTI

ADANYA” DAN “DENGAN SEMUA CACAT DAN KESALAHAN”. HIKMICRO TIDAK MEMBERIKAN JAMINAN TERSURAT ATAU PUN TERSIRAT, TERMASUK TIDAK TERBATAS PADA, JAMINAN KOMERSIAL, KUALITAS MEMUASKAN, ATAU PUN KECOCOKAN UNTUK TUJUAN TERTENTU. PENGGUNAAN PRODUK OLEH ANDA ADALAH ATAS RISIKO ANDA SENDIRI. DALAM SEGALA HAL, HIKMICRO TIDAK BERTANGGUNG JAWAB KEPADA ANDA ATAS KERUSAKAN KHUSUS, IKUTAN, INSIDENTIL, ATAU TIDAK LANGSUNG, TERMASUK, ANTARA LAIN, KERUGIAN AKIBAT HILANGNYA LABA USAHA, TERGANGGUNYA USAHA, ATAU HILANGNYA DATA, KERUSAKAN SISTEM, ATAU HILANGNYA DOKUMEN, BAIK BERDASARKAN PELANGGARAN ATAS KONTRAK, TINDAKAN MELAWAN HUKUM (TERMASUK KELALAIAN), KEWAJIBAN PRODUK, ATAU LAINNYA, TERKAIT PENGGUNAAN PERANGKAT LUNAK, MESKIPUN HIKMICRO SUDAH DIBERITAHU ADANYA POTENSI KERUSAKAN ATAU KERUGIAN SEMACAM ITU.

ANDA MENGAKUI BAHWA SIFAT INTERNET MENGHADIRKAN RISIKO KEAMANAN TIDAK TERLIHAT, DAN HIKMICRO TIDAK BERTANGGUNG JAWAB ATAS ABNORMALITAS PENGOPERASIAN, KEBOCORAN PRIVASI, ATAU KERUSAKAN LAIN AKIBAT SERANGAN SIBER, SERANGAN PERETAS, INFEKSI VIRUS, DAN RISIKO KEAMANAN INTERNET LAINNYA; AKAN TETAPI, HIKMICRO AKAN MENYEDIAKAN DUKUNGAN TEKNIS SECARA BERKALA JIKA DIBUTUHKAN.

ANDA SETUJU UNTUK MENGGUNAKAN PRODUK INI DENGAN MEMATUHI SEMUA PERATURAN YANG BERLAKU DAN ANDA SECARA PRIBADI BERTANGGUNG JAWAB MEMASTIKAN PENGGUNAAN OLEH ANDA MEMATUHI PERATURAN YANG BERLAKU. SECARA KHUSUS, ANDA BERTANGGUNG JAWAB MENGGUNAKAN PRODUK DENGAN CARA YANG TIDAK MELANGGAR HAK-HAK PIHAK KETIGA, TERMASUK TANPA BATASAN PADA, HAK PUBLISITAS, HAK KEKAYAAN INTELEKTUAL, ATAU PERLINDUNGAN DATA DAN HAK PRIVASI LAINNYA. ANDA DILARANG MENGGUNAKAN PRODUK UNTUK PENGGUNAAN AKHIR YANG DILARANG, TERMASUK PENGEMBANGAN ATAU PRODUKSI SENJATA PEMUSNAH MASSAL, PENGEMBANGAN ATAU PRODUKSI SENJATA KIMIA ATAU BIOLOGIS, AKTIVITAS YANG BERHUBUNGAN DENGAN BAHAN PELEDAK NUKLIR ATAU DAUR BAHAN BAKAR NUKLIR SECARA TIDAK AMAN ATAU UNTUK Mendukung pelanggaran hak asasi manusia. JIKA TERJADI PERTENTANGAN ANTARA MANUAL INI DAN PERATURAN YANG BERLAKU, YANG DISEBUT TERAKHIR DIPRIORITASKAN.

Informasi Terkait Peraturan

Klausul ini hanya berlaku untuk produk yang memuat tanda atau informasi yang sesuai.

Pernyataan Kepatuhan Terhadap UE



Produk ini - dan jika ada - aksesori yang disertakan bertanda “CE” dan oleh karena itu memenuhi standar harmoni Eropa yang disebutkan dalam EMC Directive 2014/30/EU, RoHS Directive 2011/65/EU.



2012/19/EU (WEEE directive): Produk yang bertanda simbol ini tidak boleh dibuang sebagai sampah umum yang tidak disortir di wilayah Uni Eropa. Agar dapat didaur ulang sesuai ketentuan, kembalikan produk ini ke toko terdekat saat Anda membeli peralatan pengganti yang baru, atau buang pada titik pengumpulan yang ditentukan. Untuk informasi lebih lengkap, kunjungi: www.recyclethis.info.



2006/66/EC (ketentuan baterai): Produk ini berisi baterai yang tidak boleh dibuang sebagai sampah umum yang tidak disortir di wilayah Uni Eropa. Lihat dokumentasi produk untuk informasi spesifik tentang baterai. Baterai ini ditandai dengan simbol ini, yang mungkin disertai huruf untuk menandakan kadmium (Cd), timbal (Pb), atau merkuri (Hg). Agar dapat didaur ulang sesuai ketentuan, kembalikan baterai ke toko atau titik pengumpulan yang ditentukan. Untuk informasi lebih lanjut, kunjungi: www.recyclethis.info.

Petunjuk Keselamatan

Instruksi ini ditujukan untuk memastikan pengguna dapat menggunakan produk dengan benar dan menghindari bahaya atau kerugian materiil.

Undang-Undang dan Peraturan

- Selama menggunakan produk ini, Anda harus sepenuhnya mematuhi peraturan keselamatan kelistrikan dari pemerintah.

Transportasi

- Kemas perangkat dalam kemasan aslinya atau yang serupa saat memindahkannya.
- Simpan wadah setelah perangkat dikeluarkan untuk digunakan lagi jika perlu. Kembalikan perangkat yang mengalami kegagalan apa pun ke pabrik dalam wadah aslinya. Perangkat yang diangkut tanpa wadah aslinya dapat mengalami kerusakan dan perusahaan tidak bertanggung jawab atas hal tersebut.
- Jangan menjatuhkan produk atau membuatnya terkena guncangan fisik. Jauhkan perangkat dari gangguan magnetis.

Catu Daya

- Silakan membeli pengecas sendiri. Tegangan input harus sesuai Catu Daya Terbatas dengan 12 VDC menurut standar IEC62368. Silakan lihat spesifikasi teknis untuk informasi terperinci.
- Pastikan steker terhubung dengan benar ke soket daya.
- Pasang lubang stopkontak di dekat peralatan dan di lokasi yang mudah dijangkau.
- JANGAN menghubungkan beberapa perangkat ke satu adaptor daya, untuk menghindari panas berlebih atau bahaya kebakaran karena muatan berlebih.
- JANGAN menyentuh kontak logam terbuka pada inlet setelah pemutus arus dimatikan. Aliran listrik masih ada.
- + menandai terminal positif peralatan yang digunakan dengan, atau menghasilkan arus searah. - menandai terminal negatif peralatan yang digunakan dengan, atau menghasilkan arus searah.

Baterai

- PERHATIAN: Risiko ledakan jika baterai diganti dengan jenis yang salah.
- Buang baterai bekas sesuai petunjuk.
- Penggantian baterai yang tidak tepat dengan baterai dari jenis yang salah dapat memengaruhi keamanan (misalnya, untuk beberapa jenis baterai lithium).
- Jangan membuang baterai ke dalam api atau oven panas, atau menghancurkan atau memotongnya secara mekanis, karena dapat menyebabkan ledakan.
- Jangan meletakkan baterai di lingkungan yang bersuhu sangat tinggi, karena dapat menyebabkan ledakan atau kebocoran cairan atau gas yang mudah terbakar.
- Jangan membiarkan baterai terpapar tekanan udara yang sangat rendah, karena dapat menyebabkan ledakan atau kebocoran cairan atau gas yang mudah terbakar.

Pemasangan

- Jangan memasang peralatan ini di lokasi yang tidak stabil. Peralatan bisa jatuh dan menyebabkan cedera serius hingga kematian.
- Gunakan peralatan ini dengan braket yang ditentukan saja. Penggunaan dengan alat lain (kereta dorong, meja, atau tas) dapat menyebabkan peralatan jatuh dan menyebabkan cedera.

Keamanan Sistem

- Anda mengakui bahwa sifat Internet menghadirkan risiko keamanan yang melekat, dan perusahaan kami tidak bertanggung jawab atas

abnormalitas pengoperasian, kebocoran privasi, atau kerusakan lain akibat serangan siber, serangan peretas, namun, perusahaan kami akan menyediakan dukungan teknis secara berkala jika dibutuhkan.


- Terapkan perlindungan informasi pribadi dan keamanan data karena perangkat dapat mengalami masalah keamanan jaringan saat terhubung ke internet. Hubungi kami jika perangkat berpotensi mengalami risiko keamanan jaringan.
- Harap dipahami bahwa Anda bertanggung jawab untuk mengkonfigurasi semua kata sandi dan setelan keamanan lainnya terkait perangkat, serta simpan nama pengguna dan kata sandi Anda.

Pemeliharaan

- Jika produk tidak berfungsi dengan baik, hubungi dealer atau pusat servis terdekat. Kami tidak bertanggung jawab atas masalah yang disebabkan oleh perbaikan atau perawatan yang tidak resmi.
- Beberapa komponen perangkat (mis., kapasitor elektrolitik) harus diganti secara rutin. Masa pakai rata-rata bervariasi, jadi disarankan melakukan pemeriksaan periodik. Hubungi dealer Anda untuk informasi selengkapnya.
- Usap perangkat secara lembut dengan kain bersih dan sedikit etanol, jika diperlukan.
- Jika perangkat digunakan dengan cara yang tidak sesuai dengan yang ditetapkan produsen, perlindungan dari perangkat mungkin tidak berfungsi maksimal.
- Untuk mengurangi risiko kebakaran, ganti sekering dengan tipe dan rating yang sama saja.
- Gunakan port seri peralatan untuk debugging saja.

Lingkungan Penggunaan

- Pastikan lingkungan tempat beroperasi memenuhi ketentuan perangkat. Suhu pengoperasian harus antara 0 °C hingga 200 °C (32 °F hingga 392 °F), tergantung pada sistem instalasi, dan kelembapan pengoperasian harus 95% atau kurang.
- Tempatkan perangkat dalam lingkungan yang kering dan berventilasi baik.
- JANGAN membiarkan perangkat terpapar radiasi elektromagnetik atau lingkungan yang berdebu.
- JANGAN mengarahkan lensa ke matahari atau cahaya terang lainnya.
- Lindungi peralatan dari tetesan atau cipratan dan gangan menaruh benda berisi cairan, misalnya vas, di atas peralatan.
- Jangan menempatkan sumber nyala terbuka, misalnya lilin, di atas peralatan.
- Sediakan penekan lonjakan pada bukaan inlet peralatan dalam kondisi khusus, seperti puncak gunung, menara besi, dan hutan.

- Jari yang terbakar saat menangani komponen dengan simbol . Tunggu satu setengah jam setelah peralatan dimatikan sebelum menangani komponen.

Darurat

- Jika muncul asap, bau, atau derau dari perangkat, segera matikan perangkat, cabut kabel daya, lalu hubungi pusat servis.

PENGUMUMAN KEPATUHAN: Produk seri termal ini mungkin tunduk pada kontrol ekspor di berbagai negara atau kawasan, termasuk tak terbatas, Amerika Serikat, Uni Eropa, dan/atau negara-negara lain anggota Kesepakatan Wassenaar. Hubungi ahli hukum atau kepatuhan profesional atau otoritas pemerintah setempat untuk persyaratan lisensi impor yang dibutuhkan jika Anda bermaksud mentransfer, mengekspor, mengekspor kembali produk seri termal antar negara.



HIKMICRO

See the World in a New Way