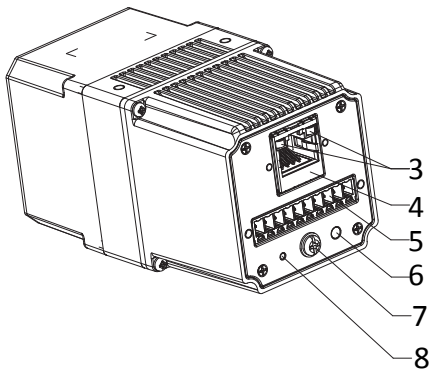
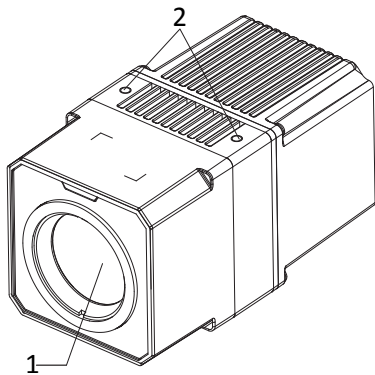




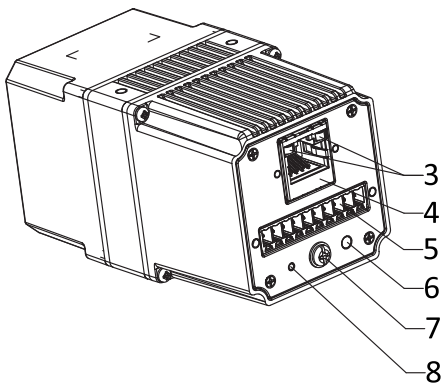
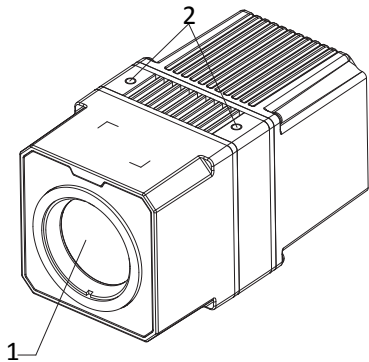
**Thermographic Network Box Camera
Quick Start Guide**

Thermographic Network Box Camera	English	5
Thermografische Netzwerk-Boxkamera	Deutsch	11
Caméra-boîte thermographique réseau	Français	17
Cámara termográfica con caja de red	Español	22
Termocamera di rete a cassetta	Italiano	27
Câmara de Rede Termográfica	Português	33
Thermografische netwerkboxcamera	Nederlands	38
Termografická síťová skříňová kamera	Čeština	43
Termografisk netværks-bokskamera	Dansk	48
Hálózati kocka hőkamera	Magyar	53
Termograficzna sieciowa kamera tubowa	Polski	58
Cameră termografică tip cutie de rețea	Română	63
Termografická sieťová skrinková kamera	Slovenčina	69
အပူပုံရိပ်ကွန်ရက်ဘောက်စ် ကင်မရာ	မြန်မာ	74
Termografik Ağ Kutu Kamerası	Türkçe	84
Сетевая термографическая корпусная камера	Русский	88
Термографічна мережева корпусна камера	Українська	94
測溫網路儲存盒攝影機	繁體中文	100
열화상 네트워크 박스 카메라	한국어	104
サーモグラフィックネットワークボックスカメラ	日本語	109
Kamera Persegi Jaringan Termografis	Bahasa Indonesia	114

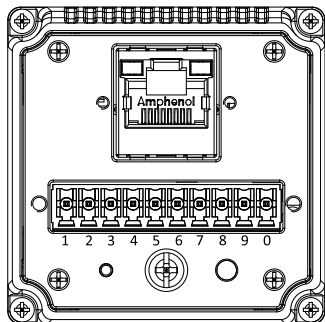
A
I



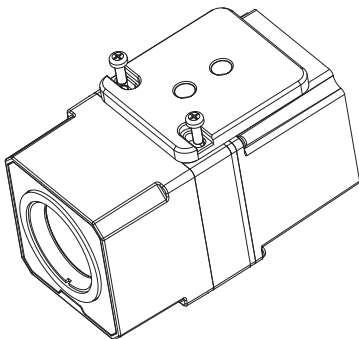
II

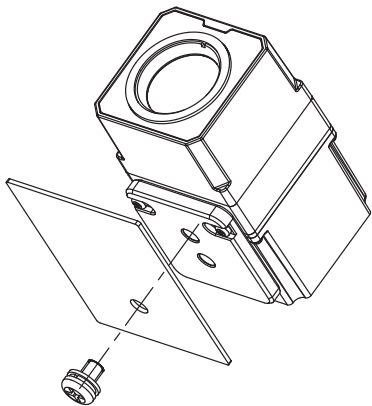


B

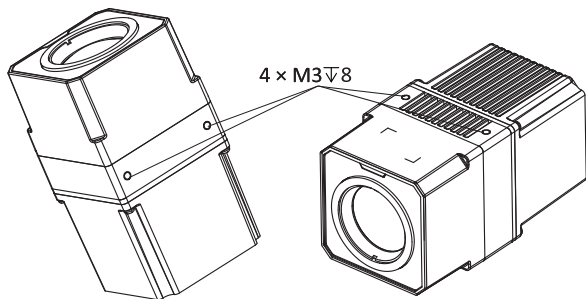


C





D



1. Overview

1.1 Brief Description

The thermographic network box camera is a device that integrates remote Internet surveillance, video server and HD camera functions.

Remote transmission, preview, and configuration can be realized through browsers and clients. The device can be simply installed without structured cabling system.

It can be used independently, or be combined with devices like robots for into devices like robots for equipment maintenance, failure detection, industrial process control, etc.

1.2 Component & Interface (Page 1 – A)

No.	Component & Interface	Description
1	Thermal Lens	View the thermal image
2	M3 Thread Holes	Install screws.
3	Network Indicators	<ul style="list-style-type: none"> ● Flash: Transmit network data. ● Solid: The network is connected without data transmission.
4	Network Interface	RJ-45, network communication
5	I/O Interface	Connect to power supply and transmit data.
6	Reset Button	Press for 10 s and release the button, and the device will restore to factory settings.
7	Grounding Screw	Connect to grounding terminal to ensure electrical safety.
8	Power Indicator	<ul style="list-style-type: none"> ● Solid Green: Operating. ● Solid Red: System is operating.

1.3 Pin Electrical Interface (Page 3 – B)

No.	Signal	Description
1	Power	Power Input
2	GND	Grounding
3	RS232 RX	Device Setup
4	RS232 TX	Device Setup
5	ALARM IN	1, Alarm Input and Output
6	ALARM OUT	
7	RS485-	RS-485 Serial Port Communication Interface
8	RS485+	
9	GND	Analog Video Output
0	CVBS	

2. Installation

Before you start:

- Make sure the device in the package is in good condition and all the assembly parts are included. Check the specifications for the device dimensions.
- Be sure that there is enough space to install the device and accessories.
- Make sure that the wall is strong enough to withstand at least 8 times the weight of the system and the mount.
- Make sure all the related equipment is power-off during the installation.
- Do not drag the cables when moving the device, or it may lead to falling or affect the performance of interfaces and cables.

2.1 Install the Device

Please select the suitable installation method according to the applying scenarios and combination with different devices

Note:

The device shell is not water-proof. The device can not be exposed to the sun and independently installed in the outdoor environment. It is recommended to combine the device with other cameras.

2.1.1 Install the Device to 1/4-20UNC Screw Bracket (Page 3 – C)

Steps:

1. Fix the pinboard to the device with M3 screws.
2. Fix the device with 1/4-20UNC screw to the pointed location.

2.1.2 Install the Device to the Positioning System (Page 4 – D)

It is recommended to use four M3 thread holes to fix the device when combining the device to the positioning systems such as PTZ or robot.

2.2 Finish Installation

Connect the corresponding cables and power on the device. Make sure the live view image can work normally and then finish the installation.

- If the live view image works normally, the installation finished.
- If the device fails to start up when the device is normal, please check interfaces of the device cables; if the cable connection is normal, please check the cables.

3. Activate and Access Network Camera

Visit www.hikmicrotech.com to download and install HIKMICRO Studio. Refer to the user manual of the device for detailed operation.

Legal Information


©2022 Hangzhou Microimage Software Co., Ltd. All rights reserved.

About this Manual

The Manual includes instructions for using and managing the Product. Pictures, charts, images and all other information hereinafter are for description and explanation only. The information contained in the Manual is subject to change, without notice, due to firmware updates or other reasons. Please find the latest version of this Manual at the HIKMICRO website (www.hikmicrotech.com/).

Please use this Manual with the guidance and assistance of professionals trained in supporting the Product.

Trademarks Acknowledgement

 HIKMICRO and other HIKMICRO's trademarks and logos are the properties of HIKMICRO in various jurisdictions.

Other trademarks and logos mentioned are the properties of their

respective owners.

LEGAL DISCLAIMER

TO THE MAXIMUM EXTENT PERMITTED BY APPLICABLE LAW, THIS MANUAL AND THE PRODUCT DESCRIBED, WITH ITS HARDWARE, SOFTWARE AND FIRMWARE, ARE PROVIDED "AS IS" AND "WITH ALL FAULTS AND ERRORS". HIKMICRO MAKES NO WARRANTIES, EXPRESS OR IMPLIED, INCLUDING WITHOUT LIMITATION, MERCHANTABILITY, SATISFACTORY QUALITY, OR FITNESS FOR A PARTICULAR PURPOSE. THE USE OF THE PRODUCT BY YOU IS AT YOUR OWN RISK. IN NO EVENT WILL HIKMICRO BE LIABLE TO YOU FOR ANY SPECIAL, CONSEQUENTIAL, INCIDENTAL, OR INDIRECT DAMAGES, INCLUDING, AMONG OTHERS, DAMAGES FOR LOSS OF BUSINESS PROFITS, BUSINESS INTERRUPTION, OR LOSS OF DATA, CORRUPTION OF SYSTEMS, OR LOSS OF DOCUMENTATION, WHETHER BASED ON BREACH OF CONTRACT, TORT (INCLUDING NEGLIGENCE), PRODUCT LIABILITY, OR OTHERWISE, IN CONNECTION WITH THE USE OF THE PRODUCT, EVEN IF HIKMICRO HAS BEEN ADVISED OF THE POSSIBILITY OF SUCH DAMAGES OR LOSS. YOU ACKNOWLEDGE THAT THE NATURE OF THE INTERNET PROVIDES FOR INHERENT SECURITY RISKS, AND HIKMICRO SHALL NOT TAKE ANY RESPONSIBILITIES FOR ABNORMAL OPERATION, PRIVACY LEAKAGE OR OTHER DAMAGES RESULTING FROM CYBER-ATTACK, HACKER ATTACK, VIRUS INFECTION, OR OTHER INTERNET SECURITY RISKS; HOWEVER, HIKMICRO WILL PROVIDE TIMELY TECHNICAL SUPPORT IF REQUIRED. YOU AGREE TO USE THIS PRODUCT IN COMPLIANCE WITH ALL APPLICABLE LAWS, AND YOU ARE SOLELY RESPONSIBLE FOR ENSURING THAT YOUR USE CONFORMS TO THE APPLICABLE LAW. ESPECIALLY, YOU ARE RESPONSIBLE, FOR USING THIS PRODUCT IN A MANNER THAT DOES NOT INFRINGE ON THE RIGHTS OF THIRD PARTIES, INCLUDING WITHOUT LIMITATION, RIGHTS OF PUBLICITY, INTELLECTUAL PROPERTY RIGHTS, OR DATA PROTECTION AND OTHER PRIVACY RIGHTS. YOU SHALL NOT USE THIS PRODUCT FOR ANY PROHIBITED END-USES, INCLUDING THE DEVELOPMENT OR PRODUCTION OF WEAPONS OF MASS DESTRUCTION, THE DEVELOPMENT OR PRODUCTION OF CHEMICAL OR BIOLOGICAL WEAPONS, ANY ACTIVITIES IN THE CONTEXT RELATED TO ANY NUCLEAR EXPLOSIVE OR UNSAFE NUCLEAR FUEL-CYCLE, OR IN SUPPORT OF HUMAN RIGHTS ABUSES. IN THE EVENT OF ANY CONFLICTS BETWEEN THIS MANUAL AND THE APPLICABLE LAW, THE LATTER PREVAILS.

Regulatory Information

These clauses apply only to the products bearing the corresponding mark or information.

FCC Information

Note: This equipment has been tested and found to comply with the limits for a Class A digital device, pursuant to part 15 of the FCC Rules. These limits are designed to provide reasonable protection against harmful interference when the equipment is operated in a commercial environment. This equipment generates, uses, and can radiate radio frequency energy and, if not installed and used in accordance with the instruction manual, may cause harmful interference to radio communications. Operation of this equipment in a residential area is likely to cause harmful interference in which case the user will be required to correct the interference at his own expense. Please take attention that changes or modification not expressly approved by the party responsible for compliance could void the user's authority to operate the equipment.

This device complies with Part 15 of the FCC Rules. Operation is subject to

the following two conditions:

(1) This device may not cause harmful interference, and

(2) This device must accept any interference received, including interference that may cause undesired operation.

Warning: This is a class A product. In a domestic environment this product may cause radio interference in which case the user may be required to take adequate measures.

EU Conformity Statement



This product and - if applicable - the supplied accessories too are marked with "CE" and comply therefore with the applicable harmonized European standards listed under the Directive 2014/30/EU (EMCD), Directive 2014/35/EU (LVD) and Directive 2011/65/EU (RoHS).



This product and - if applicable - the supplied accessories too are marked with "UKCA" and comply therefore with the following directives: Electromagnetic Compatibility Regulations 2016, Electrical Equipment (Safety) Regulations 2016, the Restriction of the Use of Certain Hazardous Substances in Electrical and Electronic Equipment Regulations 2012.



Directive 2012/19/EU (WEEE Directive): Products marked with this symbol cannot be disposed of as unsorted municipal waste in the European Union. For proper recycling, return this product to your local supplier upon the purchase of equivalent new equipment, or dispose of it at designated collection points. For more information see: www.recyclethis.info

According to the Waste Electrical and Electronic Equipment Regulations 2013: Products marked with this symbol cannot be disposed of as unsorted municipal waste in the United Kingdom. For proper recycling, return this product to your local supplier upon the purchase of equivalent new equipment, or dispose of it at designated collection points. For more information see: www.recyclethis.info.



Directive 2006/66/EC and its amendment 2013/56/EU (Battery Directive): This product contains a battery that cannot be disposed of as unsorted municipal waste in the European Union. See the product documentation for specific battery information.

The battery is marked with this symbol, which may include lettering to indicate cadmium (Cd), lead (Pb), or mercury (Hg). For proper recycling, return the battery to your supplier or to a designated collection point. For more information see: www.recyclethis.info.

According to the Batteries and Accumulators (Placing on the Market) Regulations 2008 and the Waste Batteries and Accumulators Regulations 2009: This product contains a battery that cannot be disposed of as unsorted municipal waste in the United Kingdom. See the product documentation for specific battery information. The battery is marked with this symbol, which may include lettering to indicate cadmium (Cd), lead (Pb), or mercury (Hg). For proper recycling, return the battery to your supplier or to a designated collection point. For more information see: www.recyclethis.info.

Industry Canada ICES-003 Compliance

This device meets the CAN ICES-003 (A)/NMB-003(A) standards requirements.

Safety Instruction

These instructions are intended to ensure that user can use the product correctly to avoid danger or property loss.

Laws and Regulations

Use of the product must be in strict compliance with the local electrical safety regulations.

Transportation

- Keep the device in original or similar packaging while transporting it.
- Keep all wrappers after unpacking them for future use. In case of any failure occurred, you need to return the device to the factory with the original wrapper. Transportation without the original wrapper may result in damage on the device and the company shall not take any responsibilities.
- DO NOT drop the product or subject it to physical shock. Keep the device away from magnetic interference.

Power Supply

- Input voltage should meet the Limited Power Source (10 VDC to 30 VDC) according to the IEC62368 standard. Please refer to technical specifications for detailed information.
- Make sure the plug is properly connected to the power socket.
- The socket-outlet shall be installed near the equipment and shall be easily accessible.
- DO NOT connect multiple devices to one power adapter, to avoid over-heating or fire hazards caused by overload.
- DO NOT touch the bare metal contacts of the inlets after the circuit breaker is turned off. Electricity still exists.
- + identifies the positive terminal(s) of equipment which is used with, or generates direct current. - identifies the negative terminal(s) of equipment which is used with, or generates direct current.
- Use the power adapter provided by qualified manufacturer. Refer to the product specification for detailed power requirements.

Battery

- Risk of explosion if the battery is replaced by an incorrect type. Dispose of used batteries according to the instructions.
- The built-in battery cannot be dismantled. Please contact the manufacture for repair if necessary.
- For long-term storage of the battery, make sure it is fully charged every half year to ensure the battery quality. Otherwise, damage may occur.
- This equipment is not suitable for use in locations where children are likely to be present.
- Improper replacement of the battery with an incorrect type may defeat a safeguard (for example, in the case of some lithium battery types).
- DO NOT dispose of the battery into fire or a hot oven, or mechanically crush or cut the battery, which may result in an explosion.

- DO NOT leave the battery in an extremely high temperature surrounding environment, which may result in an explosion or the leakage of flammable liquid or gas.
- DO NOT subject the battery to extremely low air pressure, which may result in an explosion or the leakage of flammable liquid or gas.
- Use the battery provided by qualified manufacturer. Refer to the product specification for detailed battery requirements.
- Dispose of used batteries according to the instructions.

Installation

- Never place the equipment in an unstable location. The equipment may fall, causing serious personal injury or death.
- This equipment is for use only with corresponding brackets. Use with other (carts, stands, or carriers) may result in instability causing injury.

System Security


- You acknowledge that the nature of Internet provides for inherent security risks, and our company shall not take any responsibilities for abnormal operation, privacy leakage or other damages resulting from cyber attack, hacker attack, however, our company will provide timely technical support if required.
- Please enforce the protection for the personal information and the data security as the device may be confronted with the network security problems when it is connected to the Internet. Please contact us when the device might exist network security risks.
- Please understand that you have the responsibility to configure all the passwords and other security settings about the device, and keep your user name and password.

Maintenance

- If the product does not work properly, please contact your dealer or the nearest service center. We shall not assume any responsibility for problems caused by unauthorized repair or maintenance.
- A few device components (e.g., electrolytic capacitor) require regular replacement. The average lifespan varies, so periodic checking is recommended. Contact your dealer for details.
- Wipe the device gently with a clean cloth and a small quantity of ethanol, if necessary.
- Use a soft brush or a blowing dust ball to flick the dust off.
- If the equipment is used in a manner not specified by the manufacturer, the protection provided by the device may be impaired.
- To reduce the risk of fire, replace only with the same type and rating of fuse.
- The serial port of the equipment is used for debugging only.

Using Environment

- Make sure the running environment meets the requirement of the device. The operating temperature shall be 0 °C to 50 °C (32 °F to 122 °F), and the operating humidity shall be 95% or less.

- DO NOT expose the device to high electromagnetic radiation or dusty environments.
- DO NOT aim the lens at the sun or any other bright light.
- The equipment shall not be exposed to dripping or splashing and that no objects filled with liquids, such as vases, shall be placed on the equipment.
- No naked flame sources, such as lighted candles, should be placed on the equipment.
- Provide a surge suppressor at the inlet opening of the equipment under special conditions such as the mountain top, iron tower, and forest.
- Burned fingers when handling the parts with symbol . Wait one-half hour after switching off before handling the parts.

Emergency

If smoke, odor, or noise arises from the device, immediately turn off the power, unplug the power cable, and contact the service center.

Manufacture Address

Room 313, Unit B, Building 2, 399 Danfeng Road, Xixing Subdistrict, Binjiang District, Hangzhou, Zhejiang 310052, China
Hangzhou Microimage Software Co., Ltd.

COMPLIANCE NOTICE: The thermal series products might be subject to export controls in various countries or regions, including without limitation, the United States, European Union, United Kingdom and/or other member countries of the Wassenaar Arrangement. Please consult your professional legal or compliance expert or local government authorities for any necessary export license requirements if you intend to transfer, export, re-export the thermal series products between different countries.

Deutsch

1. Überblick

1.1 Kurzbeschreibung

Die thermografische Netzwerk-Boxkamera ist ein Gerät, das Internet-Fernüberwachung, Videoserver und HD-Kamerafunktionen integriert. Fernübertragung, Vorschau und Konfiguration können über Browser und Clients realisiert werden. Das Gerät kann einfach ohne strukturierte Verkabelung installiert werden.

Es kann unabhängig oder in Kombination mit Geräten wie Robotern für die Wartung von Anlagen, die Fehlererkennung, die Steuerung industrieller Prozesse usw. eingesetzt werden.

1.2 Komponente und Schnittstelle (Seite 1 – A)

Nr.	Komponente und Schnittstelle	Beschreibung
1	Wärmebildobjektiv	Anzeige des Wärmebildes
2	M3-Gewindebohrungen	Schrauben einbauen.

3	Netzwerkanzeigen	<ul style="list-style-type: none"> ● Blinken: Übermittlung von Netzwerkdaten. ● Leuchtet: Das Netz ist ohne Datenübertragung verbunden.
4	Netzwerkanschluss	RJ-45, Netzwerkkommunikation
5	E/A-Anschluss	Stellt eine Verbindung zur Stromquelle her und überträgt Daten.
6	Rücksetztaste	Um das Gerät auf die Werkseinstellungen zurückzusetzen, müssen Sie die Taste 10 Sekunden lang gedrückt halten und dann loslassen.
7	Masseanschluss	Schließen Sie es zur Gewährleistung der elektrischen Sicherheit an die Erdungsklemme an.
8	Betriebsanzeige	<ul style="list-style-type: none"> ● Leuchtet Grün: Betrieb. ● Durchgehend rot: Das System ist in Betrieb.

1.3-polige elektrische Schnittstelle (Seite 3 – B)

Nr.	Signal	Beschreibung
1	Strom	Stromanschluss
2	MASSE	Erdung
3	RS232 RX	Geräteeinrichtung
4	RS232 TX	Geräteeinrichtung
5	ALARM IN	1, Alarmeingang und -ausgang
6	ALARM OUT	
7	RS485-	Serieller RS-485-Anschluss als Kommunikationsschnittstelle
8	RS485+	
9	MASSE	Analoger Videoausgang
0	CVBS	

2. Installation

Bevor Sie beginnen:

- Achten Sie darauf, dass sich das Gerät in der Verpackung in gutem Zustand befindet und alle Montageteile enthalten sind. Die Abmessungen des Geräts entnehmen Sie bitte den technischen Daten.
- Stellen Sie sicher, dass ausreichend Platz für die Installation des Geräts und des Zubehörs vorhanden ist.
- Stellen Sie sicher, dass die Wand ausreichend tragfähig ist, um mindestens das 8-fache des Gewichts des Systems und der Halterung zu tragen.
- Achten Sie darauf, dass die Geräte während der Montage ausgeschaltet sind.
- Ziehen Sie beim Transportieren des Geräts nicht an den Kabeln, da es dadurch hinfallen oder die Leistung der Schnittstellen und Kabel beeinträchtigt werden kann.

2.1 Installieren des Geräts

Wählen Sie die passende Installationsmethode je nach Anwendungsszenario und Kombination mit anderen Geräten.

Hinweis:

Das Gehäuse des Geräts ist nicht wasserdicht. Das Gerät darf nicht der Sonne ausgesetzt und im Außenbereich unabhängig installiert werden. Es wird empfohlen, das Gerät mit anderen Kameras zu kombinieren.

2.1.1 Installieren des Geräts an der 1/4-20UNC-Schraubenhalterung

(Seite 3 – C)

Schritte:

1. Befestigen Sie die Pinnwand mit M3-Schrauben am Gerät.
2. Befestigen Sie das Gerät mit einer 1/4-20UNC-Schraube an der dafür vorgesehenen Stelle.

2.1.2 Installieren des Geräts am Positionierungssystem (Seite 4 – D)

Wenn das Gerät mit Positionierungssystemen wie PTZ oder Robotern kombiniert wird, empfiehlt es sich, zum Befestigen des Geräts vier M3-Gewindebohrungen zu verwenden.

2.2 Abschließen der Installation

Schließen Sie die entsprechenden Kabel an und schalten Sie das Gerät ein. Vergewissern Sie sich, dass die Liveanzeige des Bildes normal funktioniert, und schließen Sie die Installation dann ab.

- Wenn die Liveanzeige des Bildes ordnungsgemäß funktioniert, ist die Installation abgeschlossen.
- Überprüfen Sie die Anschlüsse der Gerätekabel, wenn das Gerät nicht startet, obwohl es normal angeschlossen ist. Wenn die Kabelverbindung ordnungsgemäß ausgeführt ist, überprüfen Sie bitte die Kabel.


3. Aktivieren und Zugriff auf Netzwerk-Kamera


Besuchen Sie zum Herunterladen und Installieren von HIKMICRO Studio die Website www.hikmicrotech.com. Beachten Sie für detaillierte Anweisungen die Bedienungsanleitung des Gerätes.


Behördliche Informationen

Diese Bestimmungen gelten nur für Produkte, die das entsprechende Zeichen oder die entsprechenden Informationen tragen.

EU-Konformitätserklärung

 Dieses Produkt und – falls zutreffend – auch das mitgelieferte Zubehör sind mit „CE“ gekennzeichnet und entsprechen somit den geltenden harmonisierten europäischen Normen, die unter der Richtlinie 2014/30/EU (EMV), der Richtlinie 2014/35/EU (NSR) und der Richtlinie 2011/65/EU (RoHS) aufgeführt sind.

 Richtlinie 2012/19/EU (WEEE-Richtlinie): Produkte, die mit diesem Symbol gekennzeichnet sind, dürfen innerhalb der Europäischen Union nicht mit dem Hausmüll entsorgt werden. Für korrektes Recycling geben Sie dieses Produkt an Ihren örtlichen Fachhändler zurück oder entsorgen Sie es an einer der Sammelstellen. Weitere Informationen finden Sie unter: www.recyclethis.info

 Richtlinie 2006/66/EC und ihre Änderung 2013/56/EU (Batterierichtlinie): Dieses Produkt enthält eine Batterie, die innerhalb der Europäischen Union nicht mit dem Hausmüll entsorgt werden darf. Siehe Produktdokumentation für spezifische Hinweise zu Batterien. Die Batterie ist mit diesem Symbol

gekennzeichnet, das zusätzlich die Buchstaben Cd für Cadmium, Pb für Blei oder Hg für Quecksilber enthalten kann. Für korrektes Recycling geben Sie die Batterie an Ihren örtlichen Fachhändler zurück oder entsorgen Sie sie an einer der Sammelstellen. Weitere Informationen finden Sie unter: www.recyclethis.info.

Sicherheitshinweis

Diese Anleitungen sollen gewährleisten, dass Sie das Produkt korrekt verwenden, um Gefahren oder Sachschäden zu vermeiden.

Gesetze und Vorschriften

Die Verwendung des Produkts muss in strikter Übereinstimmung mit den örtlichen Vorschriften zur elektrischen Sicherheit erfolgen.

Transportwesen

- Bewahren Sie das Gerät beim Transport in der ursprünglichen oder einer vergleichbaren Verpackung auf.
- Bewahren Sie das gesamte Verpackungsmaterial nach dem Auspacken für zukünftigen Gebrauch auf. Im Falle eines Fehlers müssen Sie das Gerät in der Originalverpackung an das Werk zurücksenden. Beim Transport ohne Originalverpackung kann das Gerät beschädigt werden und wir übernehmen keine Verantwortung.
- Lassen Sie das Produkt nicht fallen und vermeiden Sie heftige Stöße. Halten Sie das Gerät von magnetischen Störungen fern.

Spannungsversorgung

- Die Eingangsspannung muss gemäß der Norm IEC62368 zur Stromquelle (10 VDC bis 30 VDC) passen. Siehe technische Daten für detaillierte Informationen.
- Stellen Sie sicher, dass der Stecker richtig in der Steckdose steckt.
- Die Steckdose sollte sich in der Nähe des Geräts befinden und muss einfach zugänglich sein.
- Verbinden Sie NICHT mehrere Geräte mit einem Netzteil, da es andernfalls durch Überlastung zu einer Überhitzung oder einem Brand kommen kann.
- Berühren Sie NICHT die blanken Metallkontakte der Eingänge, nachdem der Schutzschalter ausgeschaltet wurde. Sie stehen noch unter Strom.
- + kennzeichnet den/die Pluspol(e) von Geräten, die mit Gleichstrom betrieben werden oder Gleichstrom erzeugen. – kennzeichnet den/die Minuspol(e) von Geräten, die mit Gleichstrom betrieben werden oder Gleichstrom erzeugen.
- Verwenden Sie das von einem qualifizierten Hersteller mitgelieferte Netzteil. Detaillierte Angaben zu den Batterie-/Akku-Anforderungen finden Sie in der Produktspezifikation.

Batterie

- Bei Austausch der Batterie durch einen falschen Typ besteht Explosionsgefahr. Entsorgen Sie verbrauchte Batterien entsprechend der Anleitung.
- Der integrierte Akku darf nicht demontiert werden. Wenden Sie sich gegebenenfalls zur Reparatur an den Hersteller.

- Achten Sie bei langfristiger Lagerung des Akkus darauf, dass er alle sechs Monate vollständig geladen wird, um seine Lebensdauer zu gewährleisten. Anderenfalls kann es zu Schäden kommen.
- Das Gerät ist nicht für den Einsatz an Orten geeignet, an denen sich wahrscheinlich Kinder aufhalten.
- Unsachgemäßer Austausch des Akkus durch einen falschen Typ kann eine Schutzvorrichtung umgehen (z. B. bei einigen Lithium-Batterietypen).
- Batterien nicht durch Verbrennen, in einem heißen Ofen oder Zerkleinern oder Zerschneiden entsorgen. Das kann zu einer Explosion führen.
- Bewahren Sie Batterien nicht in einer Umgebung mit extrem hoher Temperatur auf. Das kann zu einer Explosion oder zum Auslaufen von entflammbarer Flüssigkeit oder Gas führen.
- Setzen Sie Batterien keinem extrem niedrigen Luftdruck aus. Das kann zu einer Explosion oder zum Auslaufen von entflammbarer Flüssigkeit oder Gas führen.
- Verwenden Sie nur einen von einem qualifizierten Hersteller gelieferten Akku. Detaillierte Angaben zu den Batterie-/Akku-Anforderungen finden Sie in der Produktspezifikation.
- Entsorgen Sie verbrauchte Batterien entsprechend der Anleitung.

Installation

- Stellen Sie das Gerät niemals an einem instabilen Ort auf. Es könnte umfallen und schwere oder sogar tödliche Verletzungen verursachen.
- Dieses Gerät darf nur mit den entsprechenden Halterungen verwendet werden. Die Verwendung anderer Halterungen (Wagen, Ständer oder Träger) kann zu Instabilität führen und Verletzungen verursachen.

Systemsicherheit

- Sie erkennen an, dass die Natur des Internets damit verbundene Sicherheitsrisiken mit sich bringt und unser Unternehmen übernimmt keine Verantwortung für anormale Betriebsabläufe, Datenschutzverletzungen oder andere Schäden, die sich durch Cyber- oder Hackerangriffe ergeben. Bei Bedarf wird unser Unternehmen jedoch zeitnahe technische Unterstützung leisten.
- Bitte sorgen Sie für den Schutz der persönlichen Daten und die Datensicherheit, da das Gerät Netzwerksicherheitsproblemen ausgesetzt werden kann, wenn es mit dem Internet verbunden ist. Bitte setzen Sie sich mit uns in Verbindung, wenn das Gerät Netzwerksicherheitsrisiken aufweist.
- Bitte nehmen Sie zur Kenntnis, dass Sie die Verantwortung dafür tragen, alle Passwörter und andere Sicherheitseinstellungen für das Gerät zu konfigurieren und Ihren Benutzernamen und Ihr Passwort aufzubewahren.


Wartung

- Falls das Produkt nicht einwandfrei funktionieren sollte, wenden Sie

sich an Ihren Händler oder den nächstgelegenen Kundendienst. Wir übernehmen keine Haftung für Probleme, die durch nicht Reparatur- oder Instandhaltungsarbeiten von nicht autorisierten Dritten verursacht werden.

- Einige Gerätekomponenten (z. B. Elektrolytkondensator) müssen regelmäßig ausgetauscht werden. Die durchschnittliche Lebensdauer variiert, weshalb eine regelmäßige Prüfung empfohlen wird. Einzelheiten erfahren Sie von Ihrem Händler.
- Wischen Sie das Gerät bei Bedarf sanft mit einem sauberen Tuch und einer geringen Menge Ethanol ab.
- Verwenden Sie einen weichen Pinsel oder eine Staubkugel, um etwaigen Staub zu beseitigen.
- Wenn das Gerät nicht vom Hersteller vorgegebenem Sinne genutzt wird, kann der durch das Gerät bereitgestellte Schutz beeinträchtigt werden.
- Um die Feuergefahr zu verringern, ersetzen Sie Sicherungen nur durch Sicherungen des gleichen Typs und der gleichen Leistung.
- Die serielle Schnittstelle des Geräts wird nur zur Fehlersuche verwendet.

Einsatzumgebung

- Achten Sie darauf, dass die Betriebsumgebung den Anforderungen des Geräts entspricht. Die Betriebstemperatur des Geräts beträgt 0 °C bis +50 °C und die Betriebsluftfeuchtigkeit darf höchstens 95 % betragen.
- Setzen Sie das Gerät KEINER hohen elektromagnetischen Strahlung oder staubigen Umgebungen aus.
- Richten Sie das Objektiv NICHT auf die Sonne oder eine andere helle Lichtquelle.
- Das Gerät vor tropfenden oder spritzenden Flüssigkeiten schützen. Auf dem Gerät dürfen keine mit Flüssigkeit gefüllten Objekte, wie z. B. Vasen, abgestellt werden.
- Stellen Sie keine offenen Flammen (wie brennende Kerzen) auf dem Gerät ab.
- Sorgen Sie für einen Überspannungsschutz an den Eingängen der Anlage bei besonderen Umgebungsbedingungen wie Berggipfel, Metallturm und Wald.
- Dieses Symbol  weist darauf hin, dass Sie sich beim Umgang mit den Teilen die Finger verbrennen können. Warten Sie nach dem Ausschalten eine halbe Stunde, bevor Sie die Teile anfassen.

Notruf

Sollten sich Rauch, Gerüche oder Geräusche in dem Gerät entwickeln, so schalten Sie es unverzüglich aus und ziehen Sie den Netzstecker; wenden Sie sich dann an den Kundendienst.

Anschrift des Herstellers

Raum 313, Einheit B, Gebäude 2, 399 Danfeng-Straße, Gemarkung Xixing, Stadtbezirk Binjiang, Hangzhou, Zhejiang 310052, China

RECHTLICHER HINWEIS: Die Produkte der Wärmebild-Serie unterliegen unter Umständen in verschiedenen Ländern oder Regionen Exportkontrollen, wie zum Beispiel in den Vereinigten Staaten, der Europäischen Union, dem Vereinigten Königreich und/oder anderen Mitgliedsländern des Wassenaar-Abkommens. Bitte wenden Sie sich an Ihren professionellen Rechts- oder Compliance-Experten oder an die zuständigen Behörden, wenn Sie beabsichtigen, Produkte der Wärmebild-Serie zwischen verschiedenen Ländern zu transferieren, zu exportieren oder zu reexportieren, um Informationen über eine eventuell erforderliche Ausfuhrgenehmigung zu erhalten.

Français

1. Vue d'ensemble

1.1 Brève description

La caméra-boîte thermographique réseau est un appareil qui intègre les fonctions de surveillance à distance par Internet, de serveur vidéo et de caméra HD.

La transmission, la prévisualisation et la configuration à distance peuvent être réalisées via des navigateurs et des clients. L'appareil peut être simplement installé sans système de câblage structuré.

Il peut être utilisé indépendamment ou être combiné avec d'autres appareils, tels que des robots, pour faciliter la maintenance d'équipement, l'inspection d'installations, le contrôle de procédés industriels, etc.

1.2 Composant et interface (Page 1 – A)

N°	Composants et interface	Description
1	Objectif thermique	Vue de l'image thermique
2	Trous filetés M3	Pour les vis d'installation.
3	Indicateurs réseau	<ul style="list-style-type: none">● Clignotement : Transmission de données réseau.● Fixe : Le réseau est connecté, sans transmission de données.
4	Interface réseau	RJ-45, communication réseau
5	Interface d'E/S	Se connecte à l'alimentation électrique et transmet les données.
6	Bouton de réinitialisation	Appuyez sur le bouton pendant 10 s, puis relâchez pour que l'appareil retourne au paramétrage d'origine.
7	Vis de mise à la terre	Connectez à la borne de mise à la terre pour assurer que le circuit soit sécuritaire.
8	Voyant d'alimentation	<ul style="list-style-type: none">● Vert fixe : Fonctionnement.● Rouge fixe : Le système est en cours de fonctionnement.

1.3 Interface électrique (Page 3 – B)

N°	Signal	Description
----	--------	-------------

1	Alimentation	Entrée d'alimentation
2	GND	Mise à la terre
3	RS232 RX	Configuration de l'appareil
4	RS232 TX	Configuration de l'appareil
5	ALARM IN	1, Entrée et sortie d'alarme
6	ALARM OUT	
7	RS485-	Interface de communication du port série RS-485
8	RS485+	
9	GND	Sortie vidéo analogique
0	CVBS	

2. Installation

Avant de commencer :

- Assurez-vous que l'appareil dans l'emballage est en bon état et que toutes les pièces d'assemblage sont incluses. Vérifiez les spécifications pour connaître les dimensions de l'appareil.
- Assurez-vous qu'il y a assez d'espace pour l'installation de l'appareil et de ses accessoires.
- Assurez-vous que le mur est assez résistant pour supporter au moins 8 fois le poids du système et du support.
- Assurez-vous que l'équipement connexe est bien hors tension pendant l'installation.
- Ne laissez pas traîner les câbles lorsque vous déplacez l'appareil. Cela pourrait causer des chutes ou nuire à la performance des interfaces et des câbles.

2.1 Installation de l'appareil

Veuillez sélectionner la méthode d'installation appropriée selon l'emplacement et les divers appareils associés.

Remarque :

la coque de l'appareil n'est pas imperméable. L'appareil ne peut pas être installé au soleil ou installé indépendamment à l'extérieur. Il est recommandé de combiner cet appareil avec d'autres caméras.

2.1.1 Installez l'appareil sur le support fileté 1/4-20UNC (Page 3 – C)

Procédures :

1. Fixez la barre de brassage à l'appareil à l'aide de vis M3.
2. Attachez l'appareil à l'endroit indiqué à l'aide d'une vis 1/4-20UNC.

2.1.2 Fixez l'appareil au système de positionnement (Page 4 – D)

Il est recommandé d'utiliser quatre trous à filetage M3 pour fixer l'appareil lorsque l'appareil est combiné à un système de positionnement tel qu'un système PTZ ou un robot.

2.2 Finalisation de l'installation

Connectez les câbles correspondants et allumez l'appareil. Assurez-vous que l'image en direct fonctionne normalement, puis complétez l'installation.

- Si l'image en direct fonctionne normalement, l'installation est terminée.
- Si l'appareil ne démarre pas, veuillez vérifier les raccords des câbles. Si les raccords sont bien connectés, vérifiez l'intégrité des câbles.

3. Activation et accès à la caméra réseau

Visitez www.hikmicrotech.com pour télécharger et installer HIKMICRO Studio. Reportez-vous au manuel d'utilisation de l'appareil pour un fonctionnement détaillé.

Réglementation

Ces clauses ne s'appliquent qu'aux produits portant la marque ou l'information correspondante.

Déclaration de conformité UE



Ce produit et, le cas échéant, les accessoires qui l'accompagnent, sont estampillés « CE » et sont donc conformes aux normes européennes harmonisées en vigueur répertoriées sous la

Directive 2014/30/UE (CEM), la directive 2014/35/CE (DSGP) et la directive 2011/65/UE (RoHS).



Directive 2012/19/UE (directive DEEE) : dans l'Union européenne, les produits portant ce pictogramme ne doivent pas être déposés dans une décharge municipale où le tri des déchets n'est pas pratiqué. Pour un recyclage adéquat, remettez ce produit à votre revendeur lors de l'achat d'un nouvel équipement équivalent, ou déposez-le dans un lieu de collecte prévu à cet effet. Pour de plus amples informations, visitez le site Web : www.recyclethis.info



Directive 2006/66/CE et son amendement 2013/56/UE (directive sur les batteries) : ce produit renferme une batterie qui ne doit pas être déposée dans une décharge municipale où le tri des déchets n'est pas pratiqué, dans l'Union européenne. Pour plus

de précisions sur la batterie, reportez-vous à sa documentation. La batterie porte le pictogramme ci-contre, qui peut inclure la mention Cd (cadmium), Pb (plomb) ou Hg (mercure). Pour la recycler correctement, renvoyez la batterie à votre revendeur ou déposez-la dans un point de collecte prévu à cet effet. Pour de plus amples informations, visitez le site Web : www.recyclethis.info.

Consignes de sécurité

L'objectif de ces instructions est de garantir que l'utilisateur soit en mesure d'utiliser correctement le produit sans danger ou dommage aux biens.

Lois et réglementations

L'appareil doit être strictement utilisé conformément à la réglementation locale en matière de sécurité électrique.

Transport

- Gardez l'appareil dans son emballage d'origine ou dans un emballage similaire lors de son transport.
- Veuillez conserver l'emballage de l'appareil pour toute utilisation ultérieure. En cas de panne, vous devrez renvoyer l'appareil à l'usine dans son emballage d'origine. Le transport de l'appareil sans son emballage d'origine peut l'endommager, et l'entreprise se dégage de toute responsabilité dans ce cas.
- Ne pas faire tomber le produit ou le soumettre à un choc physique. Éloigner l'appareil d'interférences magnétiques.

Alimentation électrique

- La tension d'entrée doit être conforme à celle d'une source d'alimentation limitée (10 V CC à 30 V CC) selon la norme CEI62368. Veuillez vous référer aux caractéristiques techniques pour des informations détaillées.
- Vérifiez que la prise est correctement branchée à la prise électrique.
- La prise de courant doit être installée près de l'équipement et doit être facilement accessible.
- Pour éviter tout risque de surchauffe ou d'incendie dû à une surcharge, ne reliez PAS plusieurs appareils à un seul adaptateur d'alimentation.
- Ne touchez PAS les contacts métalliques nus des entrées après que le disjoncteur a été coupé. De l'électricité peut encore circuler.
- Le symbole « + » identifie la (les) borne(s) positive(s) de l'équipement qui est utilisé avec, ou qui génère du courant continu. Le symbole « - » identifie la (les) borne(s) négative(s) de l'équipement qui est utilisé avec, ou qui génère du courant continu.
- Utilisez l'adaptateur d'alimentation fourni par un fabricant qualifié. Reportez-vous aux spécifications du produit pour les dispositions nécessaires et détaillées en matière d'alimentation.

Batterie

- Il y a un risque d'explosion lorsque la pile est remplacée par une pile de type incorrect. Éliminez les batteries usées conformément aux instructions.
- La batterie intégrée ne peut pas être démontée. Veuillez contacter le fabricant pour réparation si nécessaire.
- En cas de stockage à long terme de la batterie, assurez-vous qu'elle est complètement chargée tous les six mois afin d'en conserver la qualité. Dans le cas contraire, elle pourrait se détériorer.
- Cet équipement n'est pas adapté à un usage dans les endroits où des enfants sont susceptibles d'être présents.
- Le remplacement de la pile par une pile du mauvais type peut conduire à l'annulation d'une protection (par exemple, dans le cas de certains types de batteries au lithium).
- Ne jetez pas une batterie au feu ou dans un four chaud, ni ne broyez mécaniquement ou découpez une batterie, car cela pourrait engendrer une explosion.
- Ne laissez pas une batterie dans un environnement ambiant extrêmement chaud, car vous encourez un risque d'explosion ou une fuite de liquide ou de gaz inflammable.
- N'exposez pas une batterie à des pressions atmosphériques extrêmement basses, car vous encourez un risque d'explosion ou une fuite de liquide ou de gaz inflammable.
- Utilisez une pile fournie par un fabricant qualifié. Reportez-vous aux spécifications du produit pour les détails concernant la batterie.
- Éliminez les batteries usées conformément aux instructions.

Installation

- N'installez jamais l'équipement sur un support instable. L'équipement pourrait tomber, entraînant des blessures graves voire la mort.
- Cet équipement doit être utilisé uniquement avec les supports correspondants. Toute utilisation avec d'autres supports (chariots, stations ou transporteurs) peut entraîner une instabilité pouvant causer des blessures.

Sécurité du système


- Vous reconnaissez que la nature d'Internet est source de risques de sécurité inhérents, et notre société se dégage de toute responsabilité en cas de fonctionnement anormal, divulgation d'informations confidentielles ou autres dommages découlant d'une cyberattaque ou d'un piratage informatique ; toutefois, notre société fournira une assistance technique dans les délais, le cas échéant.
- Veuillez renforcer la protection des informations personnelles et la sécurité des données, car l'appareil peut être exposé à des problèmes de sécurité réseau lorsqu'il est connecté à Internet. Veuillez nous contacter si l'appareil peut subir des risques en matière de sécurité réseau.
- Vous êtes responsable de la configuration de tous les mots de passe et d'autres paramètres de sécurité concernant l'appareil. Gardez votre nom d'utilisateur et votre mot de passe en sécurité.

Maintenance

- Si le produit ne fonctionne pas correctement, contactez votre revendeur ou le centre de service le plus proche. Nous n'assumerons aucune responsabilité concernant les problèmes causés par une réparation ou une opération de maintenance non autorisée.
- Certains composants de l'appareil (p. ex., condensateur électrolytique) doivent être remplacés régulièrement. Leur durée de vie moyenne est variable, c'est pourquoi des contrôles périodiques sont recommandés. Veuillez contacter votre distributeur pour plus d'informations.
- Essayez délicatement l'appareil à l'aide d'un chiffon propre imbibé d'une petite quantité d'éthanol, si nécessaire.
- Utilisez une brosse souple ou une bombe dépoussiérante pour retirer la poussière.
- Si l'appareil n'est pas utilisé conformément aux indications du fabricant, le dispositif de protection fourni par l'appareil peut être compromis.
- Pour réduire le risque d'incendie, remplacez-le uniquement par un fusible de même type et de même calibre.
- Le port série de l'équipement est utilisé uniquement à des fins de débogage.

Environnement d'exploitation

- Assurez-vous que l'environnement d'exploitation répond aux exigences de l'appareil. La température de fonctionnement doit être comprise entre 0°C et 50 °C (32 °F et 122 °F) et l'humidité de fonctionnement doit être inférieure ou égale à 95 %.
- N'exposez PAS l'appareil à de puissants rayonnements

- électromagnétiques ou à des environnements poussiéreux.
- N'orientez PAS l'objectif vers le soleil ou toute autre source de lumière vive.
- L'équipement ne doit pas être exposé aux gouttes ou aux éclaboussures et aucun objet rempli de liquide, comme un vase, ne doit être placé sur l'équipement.
- Aucune source de flamme nue, telle que des bougies allumées, ne doit être placée sur l'équipement.
- Prévoyez un suppresseur de surtension à l'orifice d'entrée de l'équipement dans des conditions d'installation particulières p. ex. au sommet d'une montagne, d'une tour métallique et en forêt.
- La manipulation des pièces portant le symbole  risque de brûler les doigts. Attendez une demi-heure après l'arrêt de l'appareil avant de manipuler les pièces.

Urgence

Si de la fumée, des odeurs ou du bruit s'échappent de l'appareil, mettez immédiatement l'appareil hors tension et débranchez le câble d'alimentation, puis contactez un centre de réparation.

Adresse de fabrication

Logement 313, Unité B, Bâtiment 2, 399 Danfeng Road, Sous-district de Xixing, District de Binjiang, Hangzhou, Zhejiang 310052, Chine
Hangzhou Microimage Software Co., Ltd.

AVIS DE CONFORMITÉ : il est possible que les produits de la série thermique soient soumis à des contrôles d'exportation dans divers pays ou diverses régions, ce qui inclut, sans s'y limiter, les États-Unis, l'Union européenne, le Royaume-Uni ou d'autres pays membres de l'Arrangement de Wassenaar. Veuillez consulter votre expert professionnel en questions juridiques ou en conformité ou les autorités de votre gouvernement local pour toute exigence de permis d'exportation si vous prévoyez de transférer, d'exporter ou de réexporter des produits de la série thermique entre différents pays.

Español

1. Descripción general

1.1 Breve descripción

La cámara termográfica con caja red es un dispositivo que integra la vigilancia remota a través de internet, el servidor de vídeo y las funciones de cámara HD.

La transmisión remota, la previsualización y la configuración se pueden realizar a través de navegadores y clientes. El dispositivo se puede instalar sencillamente sin ningún sistema de cableado.

Se puede usar de forma independiente o se puede combinar con dispositivos como robots para realizar tareas de mantenimiento de equipos, detectar fallos, controlar procesos industriales, etc.

1.2 Componentes e interfaz (Página 1 – A)

Núm.	Componente e interfaz	Descripción
1	Lente térmica	Ver la imagen térmica

2	Orificios con rosca M3	Instalación de tornillos.
3	Indicadores de red	<ul style="list-style-type: none"> ● Destellando: Se están transmitiendo los datos de red. ● Iluminado fijamente: La red está conectada sin transmisión de datos.
4	Conexión de red	RJ-45, comunicación de red
5	Interfaz de E/S	Se conecta a la fuente de alimentación y transmite datos.
6	Botón «Restablecer»	Pulse el botón durante 10 s y suéltelo para que se restablezcan los ajustes de fábrica del dispositivo.
7	Tornillo de toma de tierra	Se conecta a la terminal de tierra para garantizar la seguridad eléctrica.
8	Piloto de alimentación	<ul style="list-style-type: none"> ● Verde fijo: Funcionamiento. ● Rojo fijo: El sistema está funcionando.

1.3 Interfaz del pin eléctrico (Página 3 – B)

Núm.	Señal	Descripción
1	Alimentación	Entrada de alimentación
2	Toma de tierra	Conexión a tierra
3	RS232 RX	Configuración del dispositivo
4	RS232 TX	Configuración del dispositivo
5	ALARM IN	1, Entrada y salida de alarma
6	ALARM OUT	
7	RS485-	Interfaz de comunicación del puerto serie RS-485
8	RS485+	
9	Toma de tierra	Salida de vídeo analógico
0	CVBS	

2. Instalación

Antes de empezar:

- Asegúrese de que el dispositivo del paquete esté en buenas condiciones y que todas las piezas de montaje estén incluidas. Consulte las especificaciones para conocer el tamaño del dispositivo.
- Asegúrese de que hay suficiente espacio para instalar el dispositivo y los accesorios.
- Asegúrese de que la pared o el techo sean lo suficientemente resistentes para soportar 8 veces el peso del sistema y el soporte de montaje.
- Asegúrese de que el equipo relacionado esté apagado durante la instalación.
- No tire de los cables al mover el dispositivo, ya que podría tirarlo o afectar al rendimiento de las interfaces y los cables.

2.1 Instalación del dispositivo

Seleccione el método de instalación adecuado de acuerdo con las situaciones correspondientes y la combinación con diferentes dispositivos

Nota:

La cubierta del dispositivo no es impermeable. El dispositivo no se puede exponer al sol ni instalar de forma independiente al aire libre. Se recomienda combinar el dispositivo con otras cámaras.

2.1.1 Instalación del dispositivo con un soporte con tornillo 1/4-20UNC

(Página 3 – C)

Pasos:

1. Fije el tablero al dispositivo con tornillos M3.
2. Fije el dispositivo con un tornillo 1/4-20UNC en el lugar indicado.

2.1.2 Instalación del dispositivo al sistema de posicionamiento (Página 4 – D)

Se recomienda usar los cuatro orificios con rosca M3 para fijar el dispositivo cuando se usa en combinación con sistemas de posicionamiento como PTZ o robots.

2.2 Finalización de la instalación

Conecte los cables correspondientes y encienda el dispositivo. Asegúrese de que se pueden ver imágenes en directo correctamente y termine la instalación.

- Si se pueden ver imágenes en directo, la instalación ha terminado.
- Si el dispositivo no arranca en estado normal, compruebe las interfaces de los cables; si la conexión de los cables es normal, compruebe los cables.

3. Activar y acceder a la cámara de red

Vaya a www.hikmicrotech.com para descargar e instalar HIKMICRO Studio. Consulte el manual de usuario del dispositivo para obtener más información sobre el funcionamiento.

Información normativa

Estas cláusulas solo se aplican a los productos que lleven la marca o la información correspondiente.

Declaración de conformidad de la UE



Este producto, así como los accesorios suministrados (si procede), tienen el marcado «CE» y, por lo tanto, cumplen con las normativas europeas armonizadas aplicables que se enumeran en la Directiva 2014/30/UE (EMCD), la Directiva 2014/35/UE (LVD) y la Directiva 2011/65/UE (RoHS).



Directiva 2012/19/UE (directiva RAEE): En la Unión Europea, los productos marcados con este símbolo no pueden ser desechados en el sistema de basura municipal sin recogida selectiva. Para un reciclaje adecuado, entregue este producto en el lugar de compra del equipo nuevo equivalente o deshágase de él en el punto de recogida designado a tal efecto. Para ver más información, visite:

www.recyclethis.info



Directiva 2006/66/CE y su enmienda 2013/56/UE (directiva sobre baterías): Este producto lleva una batería que no puede ser desechada en el sistema municipal de basuras sin recogida selectiva dentro de la Unión Europea. Consulte la documentación

del producto para ver la información específica de la batería. La batería lleva marcado este símbolo, que incluye unas letras indicando si contiene cadmio (Cd), plomo (Pb), o mercurio (Hg). Para un reciclaje adecuado, entregue la batería a su vendedor o llévela al punto de recogida de basuras designado a

tal efecto. Para más información visite: www.recyclethis.info.

Instrucciones de seguridad

Estas instrucciones están destinadas a garantizar que el usuario pueda utilizar el producto correctamente para evitar peligros o pérdidas materiales.

Leyes y normativas

El uso del producto ha de cumplir estrictamente con las normas de seguridad eléctrica locales.

Transporte

- Guarde el dispositivo en su paquete original o en uno similar cuando lo transporte.
- Guarde el embalaje para uso futuro. En el caso de que ocurra algún fallo, deberá devolver el dispositivo a la fábrica con el envoltorio original. En caso de transporte sin el envoltorio original podría resultar en daños en el dispositivo y la empresa no se hará responsable.
- No deje caer el producto ni lo someta a impactos físicos. Mantenga el dispositivo alejado de interferencias magnéticas.

Fuente de alimentación

- La tensión de entrada debe cumplir con el límite de la fuente de alimentación (de 10 VCC a 30 VCC) según el estándar IEC62368. Consulte las especificaciones técnicas para obtener información detallada.
- Asegúrese de que el enchufe esté correctamente conectado a la toma de corriente.
- La toma de corriente tiene que estar cerca del equipo y ser de fácil acceso.
- NO conecte múltiples dispositivos a un mismo adaptador de corriente, para evitar el sobrecalentamiento y los riesgos de incendio por sobrecarga.
- NO toque los contactos metálicos desnudos de las entradas después de que se apague el disyuntor. Todavía tienen electricidad.
- + identifica los terminales positivos de los equipos que se utilizan con corriente continua o que la generan. - identifica los terminales negativos de los equipos que se utilizan con corriente continua o que la generan.
- Utilice el adaptador eléctrico de un fabricante reconocido. Consulte las especificaciones técnicas del producto para conocer los requisitos eléctricos detallados.

Batería

- Riesgo de explosión si se reemplaza la batería por otra de tipo incorrecto. Deshágase de las baterías usadas conforme a las instrucciones.
- La batería integrada no puede ser desmontada. Póngase en contacto con el fabricante para solicitar las reparaciones necesarias.
- Para almacenar la batería durante un periodo prolongado, compruebe que esté completamente cargada cada medio año para garantizar la

- calidad de la misma. De lo contrario, podrían ocurrir daños.
- Este equipo no es adecuado para utilizarlo en lugares donde pueda haber niños.
- Una sustitución inadecuada de la batería por otra de tipo incorrecto podría inhabilitar alguna medida de protección (por ejemplo, en el caso de algunas baterías de litio).
- No arroje la batería al fuego ni la meta en un horno caliente, ni intente aplastar o cortar mecánicamente la batería, ya que podría explotar.
- No deje la batería en lugares con temperaturas extremadamente altas, ya que podría explotar o tener fugas de líquido electrolítico o gas inflamable.
- No permita que la batería quede expuesta a una presión de aire extremadamente baja, ya que podría explotar o tener fugas de líquido electrolítico o gas inflamable.
- Use una batería provista por un fabricante cualificado. Consulte las especificaciones técnicas del producto para conocer los requisitos detallados de la batería.
- Deshágase de las baterías usadas conforme a las instrucciones.

Instalación

- No coloque nunca el equipo en una ubicación inestable. El equipo podría caer y provocar graves lesiones o la muerte.
- Este equipo está diseñado para usarse solo con los soportes correspondientes. Su uso con otro tipo de soporte (carros, estantes o transportadores) podría ser inestable y ocasionar lesiones.

Seguridad del sistema

- Usted reconoce que la naturaleza de internet entraña riesgos de seguridad y que nuestra empresa no está obligada a asumir ninguna responsabilidad debido a un funcionamiento anómalo, una vulneración de la privacidad o cualquier otro daño resultante de un ciberataque o un ataque por parte de piratas informáticos; no obstante, nuestra empresa proporcionará la asistencia técnica necesaria de forma oportuna si fuera necesario.
- Garantice la protección de la información personal y la seguridad de datos, ya que el dispositivo puede encontrar problemas de seguridad cuando esté conectado a internet. Póngase en contacto con nosotros si se compromete la seguridad en la red del dispositivo.
- Recuerde que es su responsabilidad instalar las contraseñas y las demás configuraciones de seguridad del dispositivo. Proteja su nombre de usuario y contraseña.


Mantenimiento

- Si el producto no funciona correctamente, por favor, póngase en contacto con su distribuidor o con el centro de servicio técnico más próximo. No nos haremos responsables de los problemas derivados de una reparación o mantenimiento no autorizados.
- Algunos componentes del dispositivo (p. ej.: el condensador

electrolítico) necesita una sustitución periódica. La vida útil promedio puede variar, por lo que se recomienda una revisión periódica. Contacte con su vendedor para más detalles.

- Limpie suavemente el dispositivo con una gamuza limpia con una pequeña cantidad de etanol, si fuese necesario.
- Use un cepillo suave o una pera de aire para retirar el polvo.
- Si se utiliza el equipo de una manera no especificada por el fabricante, la protección del dispositivo podría verse mermada.
- Para reducir el riesgo de incendio, reemplace el fusible por otro del mismo tipo y clasificación.
- El puerto serie del equipo se utiliza únicamente con fines de depuración.

Entorno de uso

- Compruebe que el entorno de uso se adapte a los requisitos del dispositivo. La temperatura de funcionamiento estará entre 0 °C y 50 °C, y la humedad relativa será del 95% o inferior.
- NO exponga el dispositivo a radiaciones electromagnéticas o entornos polvorientos.
- NO oriente la lente hacia el sol ni a otras luces brillantes.
- No se expondrá el equipo a goteos ni salpicaduras y no se colocarán sobre él objetos llenos de líquidos, como jarrones.
- No coloque llamas abiertas, como velas encendidas, sobre el equipo.
- En ubicaciones especiales, como en la cima de una montaña, en una torre de hierro y en un bosque, instale un supresor de sobretensiones en la abertura de entrada del equipo.
- Dedos quemados al manipular las piezas con el símbolo . Espere media hora después de apagar el equipo para tocar las partes.

Emergencia

Si hay presencia de humo, olores o ruidos procedentes del dispositivo, apague la alimentación inmediatamente, desenchufe el cable de alimentación y contacte con el servicio técnico.

Dirección de fabricación

Habitación 313, Unidad B, Edificio 2, Carretera de Danfeng 399, Subdistrito de Xixing, Distrito de Binjiang, Hangzhou, Zhejiang 310052, China
Hangzhou Microimage Software Co., Ltd.

AVISO DE CONFORMIDAD: Los productos de las series térmicas podrían estar sujetos a controles de exportación en algunos países o regiones; entre ellos, por ejemplo, los Estados Unidos, la Unión Europea, el Reino Unido y/o otros países miembros del Arreglo de Wassenaar. Consulte con algún experto en cumplimiento normativo y legal o con las autoridades gubernamentales locales para cumplir con los requisitos de licencia de exportación necesarios si desea transferir, exportar o reexportar los productos de las series térmicas entre distintos países.

Italiano

1. Panoramica

1.1 Breve descrizione

La termocamera di rete a cassetta è un dispositivo che integra funzioni di sorveglianza Internet da remoto, server video e telecamera HD.

Funzioni quali trasmissione da remoto, anteprima e configurazioni possono essere eseguite tramite browser e client. L'installazione dell'unità è semplice e non necessita di alcun sistema di cablaggio strutturato.

L'unità può essere utilizzata in modo indipendente, o insieme a dispositivi come robot, per operazioni di manutenzione delle attrezzature, rilevamento di guasti, controllo dei processi industriali ecc.

1.2 Componenti e interfaccia (pagina 1 – A)

N.	Componenti e interfaccia	Descrizione
1	Obiettivo termico	Visualizzazione dell'immagine termica
2	Fori per viti M3	Montaggio delle viti.
3	Indicatori di rete	<ul style="list-style-type: none">● Lampeggiante: trasmissione dei dati di rete.● Fisso: la rete è connessa ma non vengono trasmessi dati.
4	Interfaccia di rete	RJ-45, comunicazione di rete
5	Interfaccia I/O	Collegamento all'alimentatore e trasmissione dei dati.
6	Pulsante di reset	Tenere premuto il pulsante per 10 secondi e rilasciarlo per ripristinare le impostazioni di fabbrica del dispositivo.
7	Vite di messa a terra	Connettere la vite al terminale di messa terra per garantire la sicurezza elettrica.
8	Indicatore di alimentazione	<ul style="list-style-type: none">● Verde fisso: Di esercizio.● Rosso fisso: elaborazione in corso.

1.3 Pin dell'interfaccia elettrica (pagina 3 – B)

N.	Segnale	Descrizione
1	Alimentazione	Ingresso di alimentazione
2	GND	Massa
3	RS232_RX	Configurazione del dispositivo
4	RS232_TX	Configurazione del dispositivo
5	ALARM_IN	1, ingresso e uscita di allarme
6	ALARM_OUT	
7	RS485-	Porta seriale di comunicazione RS-485
8	RS485+	
9	GND	Uscita video analogica
0	CVBS	

2. Installazione

Prima di iniziare:

- Assicurarsi che il dispositivo e l'imballaggio siano in buone condizioni e che siano presenti tutte le parti necessarie per l'assemblaggio. Verificare le specifiche relative alle dimensioni del dispositivo.
- Controllare che lo spazio sia sufficiente per installare il dispositivo e gli accessori.
- Accertarsi che la parete sia abbastanza robusta da supportare un peso almeno 8 volte superiore a quello del sistema e della staffa.
- Verificare che durante l'installazione tutte le apparecchiature correlate siano spente.
- Quando si sposta il dispositivo, non trascinare i cavi per evitare che qualcuno possa cadere o effetti negativi sulle prestazioni dell'interfaccia e dei cavi stessi.

2.1 Installazione del dispositivo

Selezionare un metodo di installazione adeguato allo scenario applicativo e all'eventuale connessione con altri dispositivi

Nota:

L'involucro del dispositivo non è impermeabile. Il dispositivo non può essere esposto alla luce solare e installato da solo in ambienti esterni. È consigliabile combinare il dispositivo con altre telecamere.

2.1.1 Installazione del dispositivo a una staffa a vite 1/4-20UNC (pagina 3 – C)

Procedura:

1. Fissare la placa al dispositivo utilizzando viti M3.
2. Fissare il dispositivo nel punto desiderato utilizzando una vite 1/4-20UNC.

2.1.2 Installazione del dispositivo al sistema di posizionamento (pagina 4 – D)

Quando si collega il dispositivo a un sistema di posizionamento PTZ o a un robot, è consigliabile fissarlo utilizzando i quattro fori per viti M3.

2.2 Completamento dell'installazione

Collegare i cavi necessari e accendere il dispositivo. Accertarsi che la visualizzazione live funzioni correttamente.

- Se l'immagine della visualizzazione live è normale, l'installazione può considerarsi conclusa.
- Se il dispositivo non si accende ma appare normale, verificare le interfacce di cablaggio e, qualora le connessioni siano corrette, verificare i cavi.

3. Attivazione e accesso alla telecamera di rete

Visitare il sito www.hikmicrotech.com per scaricare e installare HIKMICRO Studio. Per informazioni dettagliate, consultare il manuale di istruzioni del dispositivo.

Informazioni sulle norme

Queste clausole si applicano solo ai prodotti recanti il marchio o le informazioni corrispondenti.

Dichiarazione di conformità UE



Il presente prodotto e, ove applicabile, gli accessori in dotazione sono contrassegnati con il marchio "CE" e sono quindi conformi alle norme europee armonizzate vigenti di cui alla direttiva

2014/30/UE (EMCD), alla direttiva 2014/35/UE (LVD) e alla direttiva 2011/65/UE (RoHS).



Direttiva 2012/19/UE (RAEE): i prodotti contrassegnati con il presente simbolo non possono essere smaltiti come rifiuti domestici indifferenziati nell'Unione europea. Per lo smaltimento corretto, restituire il prodotto al rivenditore in occasione dell'acquisto di un nuovo dispositivo o smaltirlo nei punti di raccolta autorizzati. Ulteriori informazioni sono disponibili sul sito: www.recyclethis.info



Direttiva 2006/66/CE, modificata dalla direttiva 2013/56/UE (direttiva sulle batterie): questo prodotto contiene una batteria e non è possibile smaltirlo con i rifiuti domestici indifferenziati nell'Unione europea. Consultare la documentazione del prodotto per le informazioni specifiche sulla batteria. La batteria è contrassegnata con il presente simbolo, che potrebbe includere le sigle di cadmio (Cd), piombo (Pb) o mercurio (Hg). Per lo smaltimento corretto, restituire la batteria al rivenditore locale o smaltirla nei punti di raccolta autorizzati. Ulteriori informazioni sono disponibili sul sito: www.recyclethis.info.

Istruzioni per la sicurezza

Le presenti istruzioni hanno lo scopo di garantire che il prodotto venga utilizzato in modo corretto, evitando situazioni di pericolo o danni materiali.

Leggi e regolamenti

Il prodotto deve essere utilizzato rispettando rigorosamente le norme locali in materia di sicurezza elettrica.

Trasporto

- Per trasportare il dispositivo, riporlo nella confezione originale o in una analoga.
- Dopo aver disimballato il prodotto, conservare tutto il materiale di imballaggio per riutilizzarlo in futuro. In caso di guasti, sarà necessario inviare il dispositivo al produttore nell'imballaggio originale. Il trasporto senza l'imballaggio originale può causare danni al dispositivo; in tal caso il produttore declina ogni responsabilità.
- NON lasciar cadere il prodotto e non sottoporlo a impatti. Tenere il dispositivo lontano dalle interferenze magnetiche.

Alimentazione

- La tensione di ingresso deve essere conforme allo standard IEC62368 sulle fonti di alimentazione limitate (comprese tra 10 e 30 V CC). Per informazioni dettagliate, consultare le specifiche tecniche.
- Verificare che la spina sia correttamente inserita nella presa di corrente.
- La presa deve essere nelle vicinanze del dispositivo ed essere facilmente accessibile.
- NON collegare più dispositivi allo stesso alimentatore per evitare rischi di surriscaldamento o di incendio da sovraccarico.
- NON toccare i contatti metallici scoperti degli ingressi nemmeno dopo aver aperto l'interruttore automatico. L'elettricità residua è pericolosa.
- + indica il terminale positivo dell'attrezzatura che ne fa uso o che

genera la corrente diretta. Il simbolo - indica il terminale negativo dell'apparecchiatura in tensione o che genera corrente diretta.

- Utilizzare un alimentatore fornito da un produttore qualificato. Fare riferimento alle specifiche del prodotto per i requisiti di alimentazione dettagliati.

Batteria

- Esiste il rischio di esplosione se la batteria viene sostituita con una di tipo non corretto. Smaltire le batterie usate seguendo le istruzioni.
- La batteria integrata non può essere smontata. Per eventuali riparazioni, rivolgersi al produttore.
- Se la batteria rimane inutilizzata per lunghi periodi, caricarla completamente ogni sei mesi per garantire una lunga durata. In caso contrario potrebbe subire danni.
- Non utilizzare il dispositivo in ambienti in cui possono essere presenti bambini.
- La sostituzione della batteria con una di tipo non idoneo può impedire il corretto funzionamento dei sistemi di sicurezza (ad esempio con alcuni tipi di batterie al litio).
- Non gettare le batterie nel fuoco o in un forno caldo ed evitare di schiacciarle o tagliarle, per prevenire il rischio di esplosioni.
- NON lasciare le batterie in ambienti con temperature estremamente alte, perché possono esplodere o perdere liquidi o gas infiammabili.
- NON sottoporre le batterie a una pressione atmosferica estremamente bassa, perché possono esplodere o perdere liquidi o gas infiammabili.
- Utilizzare una batteria fornita da un produttore qualificato. Fare riferimento alle specifiche del prodotto per i requisiti di batteria dettagliati.
- Smaltire le batterie usate seguendo le istruzioni.

Installazione

- Non posizionare mai l'attrezzatura in modo instabile. L'attrezzatura potrebbe cadere, causando lesioni personali gravi e anche mortali.
- La presente attrezzatura deve essere usata solo con le staffe adeguate. L'uso con altri componenti (carrelli, sostegni o contenitori) potrebbe causare l'instabilità dell'attrezzatura e il rischio di lesioni personali.

Sicurezza del sistema


- L'utente riconosce che la natura di Internet comporta rischi intrinseci per la sicurezza e che la nostra azienda declina qualsiasi responsabilità in relazione a funzionamenti anomali, violazione della riservatezza o altri danni risultanti da attacchi informatici o attacchi di hacker; tuttavia, la nostra azienda fornirà tempestivo supporto tecnico, se necessario.
- Adottare le misure opportune per proteggere i dati personali e garantire la propria sicurezza poiché il dispositivo potrebbe essere esposto a rischi relativi alla sicurezza, quando è connesso a Internet. Si prega di contattarci qualora il dispositivo dovesse essere soggetto a rischi per la sicurezza della rete.

- L'utente ha la responsabilità di configurare tutte le password e le altre impostazioni di sicurezza relative al dispositivo e di conservare nome utente e password in modo sicuro.

Manutenzione

- Se il prodotto non funziona correttamente, rivolgersi al rivenditore o al centro di assistenza più vicino. Decliniamo qualsiasi responsabilità in relazione a problemi causati da interventi di riparazione o manutenzione non autorizzati.
- Alcuni componenti (ad esempio, il condensatore elettrolitico) devono essere sostituiti periodicamente. La durata media di questi elementi è variabile, quindi devono essere controllati regolarmente. Contattare il rivenditore per i dettagli.
- Se necessario, pulire delicatamente il dispositivo con un panno pulito imbevuto di una piccola quantità di alcool etilico.
- Utilizzare un pennello morbido o un soffietto per la rimozione della polvere.
- Se il dispositivo viene utilizzato in un modo non approvato dal produttore la garanzia potrebbe essere annullata.
- Per ridurre il rischio di incendi, sostituire i fusibili solo con altri dello stesso tipo e dello stesso valore nominale.
- La porta seriale del dispositivo serve solo per attività di debugging.

Ambiente di utilizzo

- Verificare che l'ambiente di utilizzo sia conforme ai requisiti del dispositivo. La temperatura di esercizio deve essere compresa tra 0°C e 50 °C (tra 32 °F e 122 °F); l'umidità non deve superare il 95%.
- NON esporre il dispositivo a radiazioni elettromagnetiche intense o ad ambienti polverosi.
- NON orientare l'obiettivo verso il sole o altre luci intense.
- L'attrezzatura non deve essere esposta a schizzi o gocciolamenti di liquidi; non poggiare sull'attrezzatura oggetti contenenti liquidi, ad esempio vasi.
- Non collocare sull'attrezzatura sorgenti di fiamme libere, come candele accese.
- Predisporre un soppressore di sovratensione all'apertura di ingresso dell'attrezzatura in condizioni particolari come vette di montagne, tralicci metallici o foreste.
- Esiste il rischio di ustioni alle dita quando si maneggiano componenti con il simbolo . Attendere mezz'ora dallo spegnimento prima di toccare gli elementi del dispositivo.

Emergenza

Se il dispositivo emette fumo, odori o rumori, spegnerlo immediatamente e scollegare il cavo di alimentazione, quindi rivolgersi a un centro di assistenza.

Indirizzo del produttore

Stanza 313, unità B, edificio 2, via Danfeng 399, subdistretto Xixing, distretto Binjiang, Hangzhou, Zhejiang, 310052, Cina

AVVISO SULLA CONFORMITÀ: i prodotti termografici potrebbero essere soggetti a controlli sulle esportazioni in vari Paesi o regioni, tra cui Stati Uniti, Unione europea, Regno Unito e/o altri Paesi membri dell'accordo di Wassenaar. Consultare un legale o un esperto di conformità o le autorità governative locali per eventuali requisiti di licenza di esportazione necessari se si intende trasferire, esportare, riesportare i prodotti termografici tra diversi Paesi.

Português

1. Descrição geral

1.1 Breve descrição

A câmara de rede termográfica é um dispositivo que integra funções de vigilância remota pela Internet, um servidor de vídeo e uma câmara HD. A transmissão remota, a pré-visualização e a configuração podem ser feitas por intermédio de navegadores e de clientes. O dispositivo pode ser facilmente instalado sem qualquer sistema de cablagem estruturado. Pode ser utilizada independentemente ou combinada com dispositivos, tais como robôs, para a manutenção de equipamento, deteção de avarias, controlo de processos industriais, etc.

1.2 Componentes e interface (Página 1 – A)

N.º	Componentes & Interface	Descrição
1	Lente térmica	Visualizar a imagem térmica
2	Orifícios roscados M3	Instalar os parafusos.
3	Indicadores da rede	<ul style="list-style-type: none">● Intermitente: Transmitir dados de rede.● Fixo: A rede está ligada, mas não há transmissão de dados.
4	Interface de rede	RJ-45, comunicação de rede
5	Interface de E/S	Ligar à fonte de alimentação e transmitir dados.
6	Botão de reinicialização	Prima durante 10 s e solte o botão, o dispositivo reporá as definições de fábrica.
7	Parafuso de terra	Ligar ao terminal de ligação à terra para garantir a segurança elétrica.
8	Indicador de alimentação	<ul style="list-style-type: none">● Verde fixo: Funcionamento.● Vermelho fixo: O sistema está em funcionamento.

1.3 Interface elétrica dos pinos (Página 3 – B)

N.º	Sinal	Descrição
1	Potência	Entrada de alimentação
2	GND	Ligação à terra
3	RS232_RX	Configuração do dispositivo
4	RS232_TX	Configuração do dispositivo

5	ENTRADA DE ALARME	1, Entrada e saída de alarme
6	SAIDA DE ALARME	
7	RS485-	Interface de comunicação de porta série RS-485
8	RS485+	
9	GND	Saída de vídeo analógico
0	CVBS	

2. Instalação

Antes de começar:

- Certifique-se de que o dispositivo na embalagem se encontra em boas condições e de que todas as peças de montagem estão incluídas. Consulte as especificações relativas às dimensões do dispositivo.
- Certifique-se de que existe espaço suficiente para instalar o dispositivo e os acessórios.
- Certifique-se de que a parede é suficientemente resistente para suportar, pelo menos, 8 vezes o peso do sistema e do suporte.
- Certifique-se de que, durante a instalação, todo o equipamento relacionado se encontra desligado.
- Não arraste os cabos ao mover o dispositivo ou poderá provocar a sua queda ou afetar o desempenho das interfaces e dos cabos.

2.1 Instalar o dispositivo

Selecione o método de instalação adequado de acordo com os cenários aplicáveis e a combinação com dispositivos diferentes.

Nota:

O invólucro do dispositivo não é à prova de água. O dispositivo não pode ser exposto à luz solar direta e instalado independentemente num ambiente no exterior. É recomendada a combinação do dispositivo com outras câmaras.

2.1.1 Instalar o dispositivo no suporte de parafuso 1/4-20UNC (Página 3 – C)

Passos:

1. Fixe o painel de fixação no dispositivo com parafusos M3.
2. Fixe o dispositivo com o parafuso 1/4-20UNC no local apontado.

2.1.2 Instalar o dispositivo com um sistema de posicionamento (Página 4 – D)

É recomendada a utilização de 4 orifícios roscados M3 para fixar o dispositivo quando combinado com sistemas de posicionamento, tais como PTZ ou robôs.

2.2 Concluir a instalação

Ligue os cabos correspondentes e ligue o dispositivo. Certifique-se de que a imagem da visualização em direto está a funcionar normalmente e conclua a instalação.

- Se a imagem da visualização em direto estiver a funcionar normalmente, a instalação é concluída.
- Se o dispositivo não iniciar quando estiver a funcionar normalmente, verifique as interfaces dos cabos do dispositivo. Se a ligação por cabo estiver a funcionar normalmente, verifique os cabos.

3. Ativar ou aceder à câmara de rede

Visite www.hikmicrotech.com para transferir e instalar o HIKMICRO Studio. Consulte o manual do utilizador do dispositivo para obter informações

detalhadas sobre o funcionamento.

Informações sobre as normas reguladoras

As presentes cláusulas aplicam-se apenas aos produtos que apresentam a marcação ou informação correspondentes.

Declaração de conformidade da UE



Este produto e - se aplicável - os acessórios fornecidos também têm a marcação "CE" e estão em conformidade com as normas europeias harmonizadas aplicáveis enumeradas na Diretiva 2014/30/UE

(EMCD), Diretiva 2014/35/UE (LVD) e Diretiva 2011/65/UE (RoHS).



Diretiva 2012/19/UE (diretiva REEE): Os produtos com este símbolo não podem ser eliminados como resíduos urbanos indiferenciados na União Europeia. Para uma reciclagem

adequada, devolva este produto ao seu fornecedor local quando adquirir um novo equipamento equivalente ou elimine-o através dos pontos de recolha adequados. Para mais informações, consulte:

www.recyclethis.info



Diretiva 2006/66/CE e respetiva alteração 2013/56/UE (diretiva relativa às pilhas e baterias): Este produto contém uma bateria que não pode ser eliminada como resíduo urbano indiferenciado na União Europeia. Consulte a documentação do produto para

obter informações específicas acerca da bateria. A bateria está marcada com este símbolo, que poderá incluir inscrições para indicar a presença de cádmio (Cd), chumbo (Pb), ou mercúrio (Hg). Para reciclar o produto de forma adequada, devolva a bateria ao seu fornecedor ou coloque-a num ponto de recolha apropriado. Para mais informações, consulte: www.recyclethis.info.

Instruções de segurança

Estas instruções destinam-se a garantir que o utilizador possa utilizar o produto corretamente para evitar perigos ou perdas materiais.

Legislação e regulamentos

A utilização do produto deve estar em total conformidade com as normas locais de manuseamento de aparelhos elétricos.

Transporte

- Mantenha o dispositivo na embalagem original ou similar, quando o transportar.
- Depois da abertura da embalagem do produto, guarde todos invólucros, para uso posterior. Em caso de qualquer avaria, deve devolver o dispositivo à fábrica com o invólucro original. O transporte sem o invólucro original pode resultar em danos no dispositivo, sendo que a empresa não assumirá quaisquer responsabilidades.
- NÃO deixe o produto cair, nem o sujeite a impactos físicos. Mantenha o dispositivo longe de interferências magnéticas.

Alimentação elétrica

- A tensão de entrada deve estar em conformidade com a Fonte de potência limitada (10 V CC a 30 V CC), de acordo com a norma IEC62368. Consulte as especificações técnicas para obter informações detalhadas.

- Certifique-se de que a ficha está devidamente ligada à tomada.
- A tomada deverá estar instalada perto do equipamento e ser facilmente acessível.
- NÃO ligue vários dispositivos a um adaptador de energia, para evitar o superaquecimento de riscos de incêndio provocados por sobrecarga.
- NÃO toque nos contactos metálicos expostos das entradas depois de desligar o disjuntor. Ainda existe condução de eletricidade.
- + identifica o terminal positivo do equipamento com o qual é utilizada ou gera corrente direta. - identifica o terminal negativo do equipamento com o qual é utilizada ou gera corrente direta.
- Utilize o adaptador de alimentação fornecido por um fabricante qualificado. Para informações detalhadas sobre os requisitos relativos à alimentação, consulte as especificações do produto.

Bateria

- Existe risco de explosão se a bateria for substituída por outra de tipo incorreto. Elimine as pilhas usadas de acordo com as instruções.
- A bateria integrada não pode ser desmontada. Contacte o fabricante caso necessite de uma reparação.
- Em caso de armazenamento prolongado da bateria, certifique-se de que esta é totalmente carregada de 6 em 6 meses, garantindo, assim, a sua qualidade. Caso contrário, poderão ocorrer danos.
- Este equipamento não se adequa a utilização em locais onde a presença de crianças seja provável.
- A substituição incorreta da bateria por outra de tipo incorreto pode destruir uma proteção (por exemplo, no caso de alguns tipos de bateria de lítio).
- Não proceda à eliminação da bateria numa fogueira ou forno quente, ou mediante esmagamento ou corte mecânico da mesma pois tal pode resultar numa explosão.
- Não deixe a bateria num ambiente com temperaturas extremamente elevadas pois tal pode resultar numa explosão ou na fuga de líquido inflamável ou gás.
- Não sujeite a bateria a pressão de ar extremamente baixa pois tal poderá resultar numa explosão de líquido inflamável ou gás.
- Utilize uma bateria fornecida por um fabricante qualificado. Para informações detalhadas sobre os requisitos relacionados com a bateria, consulte as especificações do produto.
- Elimine as pilhas usadas de acordo com as instruções.

Instalação

- Nunca coloque o equipamento num local instável. O equipamento pode cair e causar lesões corporais graves ou morte.
- Este equipamento destina-se a ser utilizado apenas com os suportes correspondentes. A utilização com outros tipos de suporte (carrinhos, bancadas ou carrinhos de transporte) pode resultar em instabilidade e causar ferimentos.

Segurança do sistema


- O utilizador reconhece que a natureza da Internet comporta riscos de segurança inerentes e que a nossa empresa não será responsabilizada pelo funcionamento anormal, perda de privacidade ou outros danos resultantes de ataques informáticos ou ataques de pirataria. No entanto, a nossa empresa prestará apoio técnico atempado, se solicitado.
- Por favor, cumpra os requisitos de proteção de informações pessoais e de segurança de dados, uma vez que o dispositivo pode enfrentar problemas de segurança ao estar ligado à internet. Por favor, contacte-nos quando achar que o dispositivo possa estar exposto a riscos de segurança por estar ligado à rede.
- Por favor, tenha em consideração que a configuração das palavras-passe e de outras definições de segurança do dispositivo são da sua responsabilidade, assim como o guardar do seu nome de utilizador e da sua palavra-passe.

Manutenção

- Se o produto não funcionar corretamente, contacte o seu fornecedor ou o seu centro de assistência mais próximo. Não assumimos qualquer responsabilidade por problemas causados por reparações ou manutenções não autorizadas.
- Alguns componentes do dispositivo (por exemplo, condensador eletrolítico) necessita de substituição regular. A duração média varia, portanto, recomenda-se verificação periódica. Entre em contacto com o respetivo revendedor para obter detalhes.
- Limpe o dispositivo suavemente com um pano limpo e uma pequena quantidade de etanol, se necessário.
- Utilize uma escova macia ou um acessório de sopro adequado para remover o pó.
- Se o equipamento for utilizado de uma forma não especificada pelo fabricante, a proteção providenciada pelo dispositivo poderá ser afetada.
- Para reduzir o risco de incêndio, o fusível deve ser substituído apenas por outro do mesmo tipo e com a mesma potência.
- A porta série do equipamento é utilizada apenas para a depuração.

Ambiente da utilização

- Certifique-se de que o ambiente de funcionamento do dispositivo cumpre os requisitos do mesmo. A temperatura de funcionamento deve situar-se entre 0 °C e 50 °C e a humidade de funcionamento deve ser igual ou inferior a 95%.
- NÃO exponha o dispositivo a radiação eletromagnética elevada nem a ambientes com pó.
- NÃO direcione a lente para o sol nem para qualquer outra luz brilhante.
- O equipamento não deverá ser exposto a derrames ou salpicos de líquidos e nenhum objeto que contenha líquidos, como vasos, deverá

- ser colocado sobre o equipamento.
- Não deverão ser colocadas fontes de chama livre, como velas acesas, sobre o equipamento.
- Providencie um supressor de picos na abertura da entrada do equipamento em condições especiais, como no cimo de uma montanha, numa torre de ferro ou na floresta.
- Queimadura dos dedos resultante do manuseamento das peças com o símbolo . Desligue o equipamento, aguarde trinta minutos e só então deverá manusear as peças.

Emergência

Caso o dispositivo emita fumo, odores ou ruídos, desligue a alimentação elétrica de imediato, retire o cabo de alimentação da tomada e contacte o centro de assistência.

Endereço do fabricante

Sala 313, Unidade B, Edifício 2, Rua Danfeng 399, Subdistrito Xixing, Distrito Binjiang, Hangzhou, Zhejiang 310052, China
Hangzhou Microimage Software Co., Ltd.

AVISO DE CONFORMIDADE: Os produtos da série térmica poderão estar sujeitos a controlos de exportação em vários países ou regiões, incluindo sem limite, os Estados Unidos da América, a União Europeia, o Reino Unido e/ou outros países-membro do Acordo de Wassenaar. Consulte o seu especialista em legislação ou em conformidade ou as autoridades locais para saber os requisitos de licença de exportação necessários se pretender transferir, exportar, voltar a exportar os produtos da série térmica entre países diferentes.

Nederlands

1. Overzicht

1.1. Korte beschrijving

De thermografische netwerkboxcamera is een apparaat dat internetbewaking op afstand, videosever en HD-camerafuncties integreert. Overdracht, preview en configuratie op afstand kunnen worden gerealiseerd via browsers en klanten. Het apparaat kan eenvoudig worden geïnstalleerd zonder gestructureerd bekabelingssysteem.

Het kan onafhankelijk worden gebruikt of worden gecombineerd met apparaten zoals robots voor apparaten zoals robots voor onderhoud van apparatuur, storingsdetectie, industriële procesbesturing, enz.

1.2 Component en interface (pagina 1 – A)

Nr.	Componenten en interfaces	Omschrijving
1	Thermische lens	Warmtebeeld bekijken
2	M3 draadgaten	Schroeven installeren.
3	Netwerkindicatoren	<ul style="list-style-type: none"> • Knippen: Netwerkgegevens verzenden. • Brandt: Het netwerk is aangesloten zonder gegevensoverdracht.

4	Netwerkiterface	RJ-45, netwerkcommunicatie
5	Aan/Uit Interface	Aansluiten op de stroomvoorziening en gegevens overdragen.
6	Reset-knop	Houd 10 s ingedrukt en laat de knop los, en het apparaat zal terugkeren naar de fabrieksinstellingen.
7	Aardingsschroef	Sluit aan op de aardingsklem om elektrische veiligheid te garanderen.
8	Aan/uit-indicator	<ul style="list-style-type: none"> ● Constant groen: Bedrijf. ● Constant rood: Systeem is in werking.

1.3 Elektrische interface pin (pagina 3 – B)

Nr.	Signaal	Omschrijving
1	Voeding	Voeding
2	GND	Aarding
3	RS232 RX	Apparaat instellen
4	RS232 TX	Apparaat instellen
5	ALARM IN	1, Alarmingang en -uitgang
6	ALARM OUT	
7	RS485-	RS-485 seriële poort communicatie-interface
8	RS485+	
9	GND	Analoge video-uitgang
0	CVBS	

2. Installatie

Voordat u begint:

- Zorg ervoor dat het apparaat in het pakket zich in goede toestand bevindt en alle montage-onderdelen zijn meegeleverd. Controleer de specificaties voor de afmetingen van het apparaat.
- Zorg ervoor dat er voldoende ruimte is om het apparaat en de accessoires te installeren.
- Zorg ervoor dat de muur sterk genoeg is om minstens 8 keer het gewicht van het systeem en de steun te dragen.
- Zorg ervoor dat alle gerelateerde apparatuur tijdens de installatie is uitgeschakeld.
- Sleep de kabels niet tijdens het verplaatsen van het apparaat, omdat dit kan leiden tot vallen of de prestaties van interfaces en kabels kan beïnvloeden.

2.1 Het apparaat installeren

Selecteer de geschikte installatiemethode volgens de toepasselijke scenario's en combinatie met verschillende apparaten

Opmerking:

De behuizing van het apparaat is niet waterdicht. Het apparaat kan niet worden blootgesteld aan de zon en onafhankelijk worden geïnstalleerd in

de buitenomgeving. Het wordt aanbevolen om het apparaat te combineren met andere camera's.

2.1.1 Het apparaat op de 1/4-20UNC schroefbeugel installeren (pagina 3 – C) **Stappen:**

1. Bevestig de pinwand aan het apparaat met M3-schroeven.
2. Bevestig het apparaat met de 1/4-20UNC schroef op de aangeduide locatie.

2.1.2 Het apparaat op het positioneringssysteem installeren (pagina 4 – D)

Het wordt aanbevolen om vier M3-schroefdraadgaten te gebruiken om het apparaat te bevestigen wanneer het apparaat wordt gecombineerd met positioneringssystemen zoals PTZ of robot.

2.2 Installatie voltooiën

Sluit de bijbehorende kabels aan en schakel het apparaat in. Zorg ervoor dat het livebeeld normaal kan werken en voltooi vervolgens de installatie.

- Als het livebeeld normaal werkt, is de installatie voltooid.
- Als het apparaat niet opstart wanneer het apparaat normaal is, controleer dan de interfaces van de apparaatkabels; als de kabelverbinding normaal is, controleer dan de kabels.

3. Netwerkkamera activeren en bedienen

Bezoek www.hikmicrotech.com voor het downloaden en installeren van HIKMICRO Studio. Raadpleeg de handleiding van het apparaat voor details over de bediening.

Informatie met betrekking tot regelgeving

Deze clausules zijn alleen van toepassing op de producten die de overeenkomende markering of informatie dragen.

EU-conformiteitsverklaring



Dit product en, indien van toepassing, de meegeleverde accessoires zijn ook gemarkeerd met "CE" en voldoen daarom aan de toepasselijke geharmoniseerde standaarden conform de

Richtlijn 2014/30/EU (EMCD), Richtlijn 2014/35/EU (LVD) en Richtlijn 2011/65/EU (RoHS).



Richtlijn 2012/19/EU (WEEE-richtlijn): Producten die met dit symbool zijn gemarkeerd mogen binnen de Europese Unie niet worden weggegooid als ongesorteerd huishoudelijk afval. Lever dit product voor een juiste recycling in bij uw plaatselijke leverancier

bij aankoop van soortgelijke nieuwe apparatuur, of breng het naar daarvoor aangewezen inzamelpunten. Raadpleeg www.recyclethis.info voor meer informatie



Richtlijn 2006/66/EG en zijn amendement 2013/56/EU (Batterijrichtlijn): Dit product bevat een batterij die binnen de Europese Unie niet mag worden weggegooid als ongesorteerd huishoudelijk afval. Zie de productdocumentatie voor specifieke

informatie over de batterij. De batterij is gemarkeerd met dit symbool, dat letters kan bevatten die cadmium (Cd), lood (Pb) of kwik (Hg) aanduiden. Lever de batterij voor een juiste recycling in bij uw leverancier of bij een daarvoor aangewezen inzamelpunt. Raadpleeg voor meer informatie: www.recyclethis.info.

Veiligheidsinstructies

Deze instructies zijn bedoeld om te verzekeren dat de gebruiker het product juist kan gebruiken om gevaar of verlies van eigendommen te vermijden.

Wet- en regelgeving

Gebruik van het product moet in strikte overeenstemming met de plaatselijke elektrische veiligheidsvoorschriften plaatsvinden.

Transport

- Bewaar het apparaat in de originele of soortgelijke verpakking tijdens vervoer.
- Bewaar alle verpakkingen voor toekomstig gebruik. In het geval van een defect moet u het apparaat terugsturen naar de fabrikant met de originele verpakking. Transport zonder de originele verpakking kan leiden tot schade aan het apparaat, waarvoor wij geen verantwoordelijk erkennen.
- Laat het product niet vallen en stel het apparaat niet bloot aan schokken. Houd het toestel uit de buurt van magnetische velden.

Stroomvoorziening

- De ingangsspanning moet voldoen aan de beperkte stroombron (10 VDC tot 30 VDC) volgens de IEC62368-standaard. Zie de technische specificaties voor gedetailleerde informatie.
- Zorg dat de stekker goed in het stopcontact zit.
- Het stopcontact moet in de buurt van de apparatuur worden geïnstalleerd en eenvoudig toegankelijk zijn.
- Sluit NOOIT meerdere apparaten aan op één voedingsadapter om oververhitting of brandgevaar door overbelasting te voorkomen.
- Raak de blanke metalen contacten van de inlaten niet aan nadat de stroomonderbreker is uitgeschakeld. Er is nog steeds elektriciteit aanwezig.
- + identificeert de positieve aansluiting(en) van apparatuur die wordt gebruikt met gelijkstroom of die dat genereert. - identificeert de negatieve aansluiting(en) van apparatuur die wordt gebruikt met gelijkstroom of die dat genereert.
- Gebruik de door een gekwalificeerde fabrikant geleverde netstroomadapter. Raadpleeg de productspecificaties voor nauwkeurig omschreven vereisten omtrent de voeding.

Batterij

- Er bestaat explosiegevaar wanneer de batterij door een onjuist type wordt vervangen. Verwijder gebruikte batterijen in overeenstemming met de instructies.
- De ingebouwde batterij kan niet worden gedemonteerd. Neem indien nodig contact op met de fabrikant voor reparatie.
- Voor langdurige opslag van de batterij moet u ervoor zorgen dat deze elk half jaar volledig wordt opgeladen om de kwaliteit van de batterij te waarborgen. Als u dit niet doet, kan dit leiden tot schade.
- Deze apparatuur is niet geschikt voor gebruik op locaties waar waarschijnlijk kinderen aanwezig zijn.

- Onjuiste vervanging van de batterij door een onjuist type kan een beveiliging omzeilen (bijvoorbeeld in het geval van sommige typen lithiumbatterijen).
- Gooi de batterij niet in vuur of een hete oven en plet of snij de batterij niet op mechanische wijze, want dat kan een explosie veroorzaken.
- Laat de batterij niet in een omgeving met een extreem hoge temperatuur liggen, want dat kan een explosie of het lekken van brandbare vloeistof of gas tot gevolg hebben.
- Stel de batterij niet bloot aan extreem lage luchtdruk, want dat kan een explosie of het lekken van brandbare vloeistof of gas tot gevolg hebben.
- Gebruik de door een gekwalificeerde fabrikant geleverde batterij. Raadpleeg de productspecificaties voor nauwkeurig omschreven vereisten omtrent de batterij.
- Verwijder gebruikte batterijen in overeenstemming met de instructies.

Installatie

- Plaats de apparatuur nooit op een onstabiele plaats. De apparatuur kan dan vallen, wat ernstig letsel of de dood tot gevolg kan hebben.
- Deze apparatuur is uitsluitend bedoeld voor gebruik met bijpassende klemmen. Gebruik met andere voorwerpen (karren, standaards of dragers) kan leiden tot instabiliteit letsel veroorzaken.

Systeembeveiliging


- U erkent dat de aard van internet zorgt voor inherente veiligheidsrisico's, en ons bedrijf zal geen enkele verantwoordelijkheid accepteren voor abnormale werking, schending van privacy of andere schade als gevolg van een cyber- of hacker-aanval; ons bedrijf zal echter tijdige technische ondersteuning bieden indien vereist.
- Zorg voor bescherming van persoonlijke gegevens en gegevensbeveiliging aangezien het apparaat mogelijk te maken kan krijgen met netwerkbeveiligingsproblemen wanneer het met internet wordt verbonden. Neem contact met ons op als er netwerkbeveiligingsrisico's voor het apparaat optreden.
- Wij vragen uw begrip voor het feit dat u verantwoordelijkheid bent voor het configureren van alle wachtwoorden en andere beveiligingsinstellingen betreffende het apparaat, en bewaar uw gebruikersnaam en wachtwoord.

Onderhoud

- Als het product niet goed werkt, neem dan contact op met uw leverancier of het dichtstbijzijnde servicecentrum. Wij aanvaarden geen verantwoordelijkheid voor problemen die zijn veroorzaakt door ongeautoriseerde reparatie of onderhoud.
- Een paar componenten van het apparaat (o.a. elektrolytische condensator) vereisen regelmatige vervanging. De gemiddelde levensduur varieert, dus periodieke controle wordt aanbevolen. Neem contact op met uw leverancier voor meer informatie.

- Veeg het apparaat voorzichtig schoon met een schone doek en, indien nodig, een kleine hoeveelheid ethanol.
- Gebruik een zachte borstel of een blaasbal om het stof weg te veegen.
- Als de apparatuur wordt gebruikt op een manier die niet door de fabrikant is gespecificeerd, kan de bescherming van het apparaat worden aangetast.
- Vervang de zekering uitsluitend door een exemplaar van hetzelfde type en vermogen om het risico van brand te reduceren.
- De seriële poort van de apparatuur wordt alleen gebruikt voor foutopsporing.

Gebruiksomgeving

- Zorg dat de gebruiksomgeving voldoet aan de vereisten van het apparaat. Het apparaat werkt bij een temperatuur van 0 °C tot 50 °C en een luchtvochtigheid van 95% of minder.
- Stel het apparaat NIET bloot aan hoge elektromagnetische straling of stoffige omgevingen.
- Richt de lens NIET op de zon of een ander fel licht.
- De apparatuur mag niet worden blootgesteld aan druppels of spetters en er mogen geen voorwerpen gevuld met vloeistoffen, zoals vazen, op de apparatuur worden geplaatst.
- Plaats geen bronnen met open vuur, zoals brandende kaarsen, op het apparaat.
- Zorg voor een overspanningsbeveiliging bij de inlaatopening van de apparatuur onder speciale omstandigheden, zoals op een bergtop, ijzeren toren en in het bos.
- U kunt uw vingers verbranden als u onderdelen met dit symbool vastpakt . Wacht een half uur na uitschakelen voordat u de onderdelen beetpakt.

Noodgeval

Als er rook, geur of geluid uit het apparaat komt, schakel het dan onmiddellijk uit, haal de stekker van het netsnoer uit het stopcontact en neem contact op met het servicecentrum.

Adres fabrikant

Kamer 313, Unit B, Gebouw 2, 399 Danfeng Road, subdistrict Xixing, district Binjiang, Hangzhou, Zhejiang 310052, China
Hangzhou Microimage Software Co., Ltd.

MEDEDELING VAN NALEVING: De producten thermische serie kunnen zijn onderworpen aan exportcontroles in verschillende landen of regio's, inclusief zonder enige beperking de Verenigde Staten, de Europese Unie, het Verenigd Koninkrijk en/of andere lidstaten van de Overeenkomst van Wassenaar. Neem contact op met uw professionele juridische of nalevingsexpert of plaatselijke overheidsinstanties omtrent enige noodzakelijke vereisten voor een exportvergunning als u van plan bent de producten thermische serie te verplaatsen, exporteren of her-exporteren tussen verschillende landen.

1. Přehled

1.1 Stručný popis

Termografická síťová skříňová kamera je zařízení, které integruje vzdálené sledování přes síť Internet, video server a funkce HD kamery.

Vzdálený přenos, náhled a konfiguraci lze uskutečnit prostřednictvím prohlížečů a klientů. Zařízení lze jednoduše nainstalovat bez strukturovaného systému kabeláže.

Lze jej používat samostatně nebo v kombinaci se zařízeními, jako jsou roboti, do zařízení jako jsou roboti pro údržbu zařízení, detekci poruch, řízení průmyslových procesů a tak dále.

1.2 Součásti a rozhraní (strana 1 – A)

C.	Součásti a rozhraní	Popis
1	Termoobjektiv	Zobrazení termálního obrazu
2	Otvory se závitem M3	Nainstalujte šrouby.
3	Indikátory sítě	<ul style="list-style-type: none"> ● Blikající: Přenos síťových dat. ● Trvalé svícení: Síť je připojena bez datového přenosu.
4	Síťové rozhraní	RJ-45, síťová komunikace
5	Rozhraní I/O	Slouží pro připojení k napájení a přenos dat.
6	Tlačítko resetování	Stiskněte tlačítko na 10 s a uvolněte jej. Obnoví se tovární nastavení zařízení.
7	Zemnicí šroub	Pro zajištění elektrické bezpečnosti připojte k uzemňovací svorce.
8	Indikátor napájení	<ul style="list-style-type: none"> ● Trvale zelená: Zařízení je v provozu. ● Svítí červená: Systém je v provozu.

1.3 Elektrické rozhraní kolíků (strana 3 – B)

C.	Signál	Popis
1	Napájení	Vstup napájení
2	GND	Uzemnění
3	RS232 RX	Nastavení zařízení
4	RS232 TX	Nastavení zařízení
5	ALARM IN	1. Vstup a výstup alarmu
6	ALARM OUT	
7	RS485-	Komunikační rozhraní sériového portu RS-485
8	RS485+	
9	GND	Analogového videovýstupu
0	CVBS	

2. Montáž

Než začnete:

- Ujistěte se, zda je zařízení v balení v dobrém stavu a zda jsou přítomny všechny dodávané součásti. Rozměry zařízení naleznete ve specifikacích.
- Ujistěte se, že je pro montáž zařízení a příslušenství k dispozici dostatek místa.
- Ujistěte se, že je stěna dostatečně pevná a unese hmotnost 8krát větší, než je hmotnost systému a držáku.
- Během instalace se ujistěte, že všechna související zařízení jsou vypnutá.
- Při přemísťování zařízení netahejte za kabely, jinak by mohlo dojít k pádu nebo ovlivnění výkonu rozhraní a kabelů.

2.1 Instalace zařízení

Zvolte vhodnou metodu instalace podle scénářů použití a kombinace s různými zařízeními

Poznámka:

Plášť zařízení není vodotěsný. Zařízení nesmí být vystaveno slunci a nesmí být samostatně instalováno ve venkovním prostředí. Doporučuje se kombinovat zařízení s dalšími kamerami.

2.1.1 Instalace zařízení do držáku se šroubem 1/4-20UNC (strana 3 – C)

Kroky:

1. Pomocí šroubů M3 připevněte desku s kolíky k zařízení.
2. Zařízení připevněte pomocí šroubu 1/4-20UNC na vybrané místo.

2.1.2 Instalace zařízení do polohovacího systému (strana 4 – D)

Při kombinaci zařízení s polohovacími systémy, jako je PTZ nebo robot, se doporučuje použít k upevnění zařízení čtyři otvory se závitem M3.

2.2 Dokončení instalace

Připojte odpovídající kabely a zapněte zařízení. Ujistěte se, že obraz živého náhledu normálně funguje, a poté dokončete instalaci.

- Funguje-li obraz živého náhledu normálně, instalace byla dokončena.
- Nespustí-li se zařízení i když je normální, zkontrolujte rozhraní kabelů zařízení; je-li připojení kabelů normální, zkontrolujte kabely.

3. Aktivace kamery a přístup k síti

Ke stažení a instalaci aplikace HIMICRO Studio navštivte web www.hikmicrotech.com. Podrobné pokyny naleznete v uživatelské příručce zařízení.

Zákonné informace

Tyto části se vztahují pouze k výrobkům nesoucím odpovídající označení nebo informaci.

EU prohlášení o shodě



Tento výrobek, a případně i dodané příslušenství, jsou označeny štítkem „CE“, což znamená, že vyhovují příslušným harmonizovaným evropským normám uvedeným ve směrnici 2014/30/EU (EMCD), směrnici 2014/35/EU (LVD) a směrnici 2011/65/EU (RoHS).



Směrnice 2012/19/EU (směrnice WEEE): Výrobky označené tímto symbolem nelze v Evropské unii likvidovat společně s netříděným domovním odpadem. Při zakoupení nového ekvivalentního

výrobku tento výrobek řádně zrecykluje vrácením svému místnímu dodavateli, nebo jej zlikvidujte odevzdáním v určených sběrných místech. Další informace naleznete na adrese: www.recyclethis.info



Směrnice 2006/66/ES a její úprava 2013/56/EU (směrnice o bateriích): Tento výrobek obsahuje baterii, kterou nelze v Evropské unii likvidovat společně s netříděným domovním odpadem. Konkrétní informace o baterii naleznete v dokumentaci

výrobku. Baterie je označena tímto symbolem, který může obsahovat písmena značící kadmium (Cd), olovo (Pb) nebo rtuť (Hg). Za účelem řádné recyklace baterii odevzdejte svému dodavateli nebo na určené sběrné místo. Další informace naleznete na adrese: www.recyclethis.info.

Bezpečnostní pokyny

Účelem těchto pokynů je zajistit, aby uživatel mohl výrobek správně používat a zabránilo se nebezpečí nebo újmě na majetku.

Zákony a předpisy

Používání výrobku musí být přísně v souladu s místními bezpečnostními předpisy pro elektrická zařízení.

Přeprava

- Při přepravě uchovávejte zařízení v původním nebo jemu podobném balení.
- Po vybalení uchovejte veškeré obaly pro budoucí použití. V případě jakékoli poruchy je třeba vrátit zařízení výrobcí v původním obalu. Přeprava bez původního obalu může vést k poškození zařízení, za které společnost neponese odpovědnost.
- Produkt nevystavujte fyzickým nárazům a zabraňte jeho spadnutí. Udržujte zařízení mimo dosah magnetického rušení.

Napájení

- Vstupní napětí musí dle normy IEC62368 splňovat požadavky na omezený zdroj napájení (10 V stejnosm. Až 30 V stejnosm.). Podrobné informace naleznete v technických údajích.
- Zkontrolujte, zda je zástrčka řádně zapojena do napájecí zásuvky.
- Síťová zásuvka musí být namontována v blízkosti zařízení a musí být snadno přístupná.
- K jednomu napájecímu adaptéru NEPŘIPOJUJTE více zařízení, abyste zabránili přehřátí nebo nebezpečí požáru v důsledku přetížení.
- Po vypnutí jističe se NEDOTÝKEJTE obnažených kovových kontaktů vstupů. Stále jsou pod proudem.
- + označuje kladnou svorku zařízení, která se používá se stejnosměrným proudem nebo jej generuje. - označuje zápornou svorku zařízení, která se používá se stejnosměrným proudem nebo jej generuje.
- Používejte napájecí adaptér dodaný kvalifikovaným výrobcem. Podrobné požadavky na napájení naleznete ve specifikaci výrobku.

Baterie

- Při výměně baterie za nesprávný typ hrozí nebezpečí výbuchu. Použité baterie zlikvidujte podle pokynů.
- Vestavěnou baterii nelze rozebírat. Je-li třeba ji opravit, obraťte se na výrobce.
- Při dlouhodobém skladování baterii každého půl roku plně nabijte, abyste zajistili zachování její kvality. V opačném případě může dojít k jejímu poškození.
- Toto zařízení není vhodné pro použití v místech, na kterých se mohou vyskytovat děti.
- Vyměníte-li baterii za nesprávný typ, může dojít k poškození bezpečnostního prvku (například v případě některých typů lithiových baterií).
- Nevhazujte do ohně, nekládejte do horké trouby, mechanicky ji nedrťte ani neřezejte. Mohlo by dojít k výbuchu.
- Baterii v prostředí s extrémně vysokou teplotou, protože by mohlo dojít k výbuchu nebo úniku hořlavé kapaliny nebo plynu.
- Baterii extrémně nízkému tlaku vzduchu, protože by mohlo dojít k výbuchu nebo úniku hořlavé kapaliny nebo plynu.
- Použijte baterii dodanou kvalifikovaným výrobcem. Podrobné požadavky na baterii naleznete ve specifikaci výrobku.
- Použité baterie zlikvidujte podle pokynů.

Montáž

- Zařízení nikdy neumísťte na nestabilní místo. Zařízení může spadnout a způsobit vážné zranění nebo smrt.
- Toto zařízení je určeno k používání pouze s odpovídajícími držáky. Při použití jiného vybavení (vozíků, stojanů nebo nosičů) může být instalace nestabilní a může dojít ke zranění.

Zabezpečení systému

- Berete na vědomí, že internet svou podstatou představuje skrytá bezpečnostní rizika a naše společnost proto nepřebírá žádnou odpovědnost za nestandardní provozní chování, únik osobních údajů nebo jiné škody vyplývající z kybernetického či hackerského útoku; naše společnost však v případě potřeby poskytne včasnou technickou podporu.
- Zajistěte ochranu osobních údajů a zabezpečení dat, protože se zařízení během připojení k internetu může potýkat s problémy se zabezpečením sítě. Obráťte se na nás, pokud se vyskytnou problémy se zabezpečením sítě nebezpečné pro zařízení.
- Mějte na paměti, že jste odpovědní za konfiguraci všech hesel a dalších nastavení zabezpečení zařízení a uchovejte uživatelské jméno a heslo.


Údržba

- V případě, že výrobek nefunguje správně, obraťte se na prodejce nebo na nejbližší servisní středisko. Nepřebíráme žádnou odpovědnost za problémy způsobené neoprávněnou opravou nebo údržbou.
- Některé z komponent zařízení (např. elektrolytický kondenzátor) je

nutné pravidelně vyměňovat. Průměrná doba životnosti se liší, doporučujeme proto pravidelné kontroly. Podrobnosti vám poskytne prodejce.

- V případě potřeby zařízení jemně otřete čistým hadříkem navlhčeným malým množstvím etanolu.
- K odstranění prachu použijte měkký kartáč nebo foukačí kouli.
- V případě použití zařízení způsobem jiným než určeným výrobcem může dojít ke zrušení platnosti záruky.
- Pojistku vyměňte pouze za pojistku stejného typu a se stejným jmenovitým proudem, abyste omezili nebezpečí požáru.
- Sériový port zařízení se používá pouze k ladění.

Provozní prostředí

- Zajistěte, aby provozní prostředí vyhovovalo požadavkům zařízení. Provozní teplota musí být 0 °C až 50 °C a provozní vlhkost musí být max. 95 %.
- NEVYSTAVUJTE zařízení silnému elektromagnetickému záření ani prašnému prostředí.
- NEMÍŘTE objektivem do slunce ani do jiného zdroje jasného světla.
- Zařízení nesmí být vystaveno kapající nebo stříkající vodě a nesmí se na něj pokládat předměty s tekutinami, jako jsou vázy.
- Na zařízení se nesmí pokládat zdroje otevřeného ohně jako například hořící svíčky.
- Ve speciálních podmínkách, jako je na vrcholcích hor, na kovové věži nebo v lese namontujte do vstupního otvoru zařízení přepětovou ochranu.
- Při manipulaci s díly označenými symbolem  si můžete popálit prsty. Než budete s díly manipulovat, vyčkejte po vypnutí zařízení půl hodiny.

Stav nouze

Pokud ze zařízení vychází kouř, zápach nebo hluk, zařízení okamžitě vypněte, odpojte napájecí kabel a obraťte se na servisní středisko.

Adresa výrobce

Místnost 313, jednotka B, budova 2, ulice Danfeng 399, podobvod Xixing, obvod Binjiang, Hangzhou, Zhejiang 310052, Čína
Hangzhou Microimage Software Co., Ltd.

POZNÁMKA O DODRŽOVÁNÍ PŘEDPISŮ: Na výrobky termální řady se mohou vztahovat vývozní opatření v různých zemích nebo regionech včetně, mimo jiné, Spojených států, Evropské unie, Spojeného království a dalších členských států Wassenaarského ujednání. Máte-li v úmyslu přenášet, exportovat nebo opětovně exportovat výrobky termální řady mezi různými zeměmi, obraťte se na profesionálního právníka, odborníka v oblasti dodržování předpisů nebo místní úřady, aby vám sdělili všechny nezbytné licenční požadavky pro export.

Dansk

1. Oversigt

1.1 Kort beskrivelse

Det termografiske netværks-bokskamera er en enhed, der integrerer funktionerne fjernovervågning via internettet, videoservert og HD-kamera. Fjerntransmission, forhåndsvisning og konfiguration kan udføres gennem browser og klienter. Enheden er enkel at installere uden struktureret kabelsystem.

Den kan anvendes uafhængigt, eller den kan integreres med enheder som fx robotter til vedligeholdelse af udstyr, fejl-detektion, kontrol af industriprocesser osv.

1.2 Komponenter og grænseflade (Side 1 – A)

Nr.	Komponenter og grænseflade	Beskrivelse
1	Termisk objektiv	Vis det termografiske billede
2	M3 gevindhuller	Sæt skruer i.
3	Netværkskontrollamper	<ul style="list-style-type: none">● Blinker: Overfører netværksdata.● Lyser konstant: Netværket er forbundet, ingen datatransmission.
4	Netværksstik	RJ-45, netværkskommunikation
5	I/O-grænseflade	Til strømforsyning og overførsel af data.
6	Knappen nulstil	Hold inde i 10 s, og slip knappen, hvorefter enheden gendanner standardindstillingerne.
7	Jordings skrue	Slut til jordforbindelse for at sikre elektrisk sikkerhed.
8	Kontrollampe for strøm	<ul style="list-style-type: none">● Konstant grøn: I drift.● Lyser konstant rødt: Systemet kører.

1.3 Elektrisk tilslutningsgrænseflade (Side 3 – B)

Nr.	Signal	Beskrivelse
1	Strøm	Strømindgang
2	GND	Jordforbindelse
3	RS232_RX	Konfiguration af enhed
4	RS232_TX	Konfiguration af enhed
5	ALARM_IN	1, Alarmindgang og -udgang
6	ALARM_OUT	
7	RS485-	RS-485 Seriel port for kommunikationsgrænseflade
8	RS485+	
9	GND	Analog videoudgang
0	CVBS	

2. Installation

Før du starter:

- Kontrollér, at enheden i pakken er i god tilstand, og at alle dele til samling medfølger. Tjek specifikationerne for enhedens mål.
- Kontrollér, at der er tilstrækkeligt med plads til montering af enheden og tilbehøret.

- Kontrollér, at væggen er stærk nok til at bære mindst 8 gange vægten af systemet med beslag.
- Kontrollér, at alt tilknyttet udstyr er slukket under installationen.
- Lad ikke kablerne slæbe efter dig, hvis du flytter enheden. Dette kan udgøre en snubelfare og kan påvirke enhed og kablers funktionsevne negativt.

2.1 Installation af enheden

Vælg en passende installationsmetode iht. enhedens anvendelse og dens kombination med andre enheder.

Bemærk:

Enhedens kabinet er ikke vandtæt. Enheden må ikke udsættes for sollys og må ikke installeres i et udendørsmiljø. Det anbefales at kombinere enheden med andre kameraer.

2.1.1 Installation af enheden på 1/4-20UNC skruebeslag (Side 3 – C)

Trin:

1. Fastgør den elektriske tilslutningsgrænseflade til enheden med M3-skruer.
2. Fastgør enheden med 1/4-20UNC-skrue til den valgte placering.

2.1.2 Installér enheden på positioneringssystemet (Side 4 – D)

Det anbefales at bruge fire M3 gevindhuller til fastgøring af enheden, når du kombinerer enheden med et positioneringssystem som fx en PTZ eller robot.

2.2 Færdiggør installationen

Tilslut de tilhørende kabler, og tænd enheden. Kontrollér, at livevisningsbilledet kan fungere normalt, og færdiggør installationen.

- Hvis livevisningsbilledet fungerer normalt, er installationen færdig.
- Hvis enheden ikke starter op, når den er i normal stand, skal du kontrollere enhedens kabelgrænseflade. Hvis kabelforbindelsen er normal, skal du kontrollere kablerne.

3. Aktivér og få adgang til netværkskamera

Gå til www.hikmicrotech.com for at hente og installere HIKMICRO Studio. Nærmere oplysninger om betjening af enheden finder du i brugervejledningen.

Lovgivningsmæssige oplysninger

Disse bestemmelser gælder kun for produkter, der er forsynet med det relevante mærke eller oplysninger.

EU-overensstemmelseserklæring



Produktet og eventuelt medfølgende tilbehør er mærket "CE" og opfylder derfor gældende harmoniserede europæiske standarder anført i EU-direktiv 2014/30/EU (EMCD), EU-direktiv 2014/35/EU (LVD) og EU-direktiv 2011/65/EU (RoHS).



EU-direktiv 2012/19/EU (WEEE-direktivet): Produkter, der er mærket med dette symbol, kan ikke bortskaffes som almindeligt husholdningsaffald i EU. Med henblik på korrekt genbrug skal du aflevere produktet til din lokale leverandør ved køb af tilsvarende

nyt udstyr eller aflevere det på et dertil indrettet indleveringssted. Find yderligere oplysninger på: www.recyclethis.info



Direktiv 2006/66/EF som ændret ved 2013/56/EU (batteridirektivet): Dette produkt indeholder et batteri, som ikke kan bortskaffes sammen med almindeligt husholdningsaffald i EU. Find specifikke oplysninger om batteriet i

produktdokumentationen. Batteriet er mærket med dette symbol, som kan indeholde bogstaver, der indikerer indhold af kadmium (Cd), bly (Pb) eller kviksølv (Hg). Med henblik på korrekt genbrug skal du aflevere batteriet til din leverandør eller til et dertil indrettet indleveringssted. For yderligere oplysninger se: www.recyclethis.info.

Sikkerhedsanvisning

Disse anvisninger skal sikre, at brugeren kan anvende produktet korrekt og undgå fare eller tab af ejendom.

Love og bestemmelser

Brug af dette produkt skal strengt overholde lokale bestemmelser for elektrisk sikkerhed.

Transport

- Opbevar enheden i den oprindelige eller en lignende emballage, når den skal transporteres.
- Gem al emballage efter udpakningen til senere brug. Du skal bruge den originale emballage til at returnere enheden til fabrikken, hvis der opstår fejl. Transport uden den originale emballage kan medføre skade på enheden, og virksomheden tager intet ansvar derfor.
- Tab ikke produktet, og udsæt det ikke for fysiske stød. Hold enheden væk fra magnetisk interferens.

Strømforsyning

- Indgangsspænding skal overholde LPS (Limited Power Source) (10 V jævnstrøm - 30 V jævnstrøm) iht. standarden IEC62368. Du kan finde nærmere oplysninger i de tekniske specifikationer.
- Kontrollér, at stikket er sat godt i stikkontakten.
- Stikkontakten skal være installeret i nærheden af udstyret og være nemt tilgængelig.
- Slut IKKE flere enheder til én strømadapter for at undgå overhedning eller brandfare som følge af overbelastning.
- Rør IKKE ved de blottede metalkontakter på indgangene, når afbryderen er slukket. Der er fortsat elektricitet til stede.
- + identificerer de positive terminaler på udstyret, der bruges sammen med eller genererer jævnstrøm. - identificerer de negative terminaler på udstyret, der bruges sammen med eller genererer jævnstrøm.
- Brug en strømadapter fra en godkendt fabrikant. Se de nærmere krav til strømforsyning i produktspecifikationerne.

Batteri

- Der er eksplosionsfare, hvis batteriet udskiftes med en ukorrekt type. Bortskaf brugte batterier i henhold til anvisningerne.
- Det indbyggede batteri kan ikke demonteres. Kontakt producenten, hvis du har brug for en reparation.
- Hvis batteriet skal opbevares i en længere periode, skal du sikre, at det

oplades fuldt hvert halve år for at bevare batteriets ydeevne. Ellers kan der opstå skade.

- Udstyret er ikke egnet til brug på steder, hvor det er sandsynligt, at børn er til stede.
- Udskiftning af batteriet med et batteri af forkert type kan sætte en sikkerhedsforanstaltning ud af kraft (gælder fx for visse litium-batterityper).
- Ikke batteriet i åben ild eller en varm ovn. Knus ikke, og skær ikke i batteriet, da dette kan forårsage en eksplosion.
- Ikke batteriet i omgivelser med ekstremt høje temperaturer, da det kan medføre en eksplosion eller lækage af brandfarlig væske eller luftart.
- Ikke batteriet for omgivelser med ekstremt lavt lufttryk, da det kan medføre en eksplosion eller lækage af brandfarlig væske eller luftart.
- Brug et batteri fra en godkendt producent. Se de nærmere krav til batterier i produktspecifikationen.
- Bortskaf brugte batterier i henhold til anvisningerne.

Installation

- Placér aldrig udstyret på et usikkert underlag. Udstyret kan vælte og forårsage alvorlig personskade eller død.
- Brug kun udstyret sammen med de tilsvarende beslag. Brug af andet (arbejdsvoгне, stativer eller støtter) kan medføre ustabilitet og forårsage personskade.

Systemikkerhed


- Du anerkender, at internettet indeholder indbyggede sikkerhedsrisici. Vores virksomhed påtager sig intet ansvar for unormal drift, lækage af personlige oplysninger eller andre skader som følge af cyberangreb eller hackerangreb. Vores virksomhed vil dog yde nødvendig rettidig teknisk bistand.
- Sørg for at aktivere beskyttelse af personoplysninger og datasikkerhed, da enheden kan blive udsat for netværkssikkerhedsproblemer, når den tilsluttes internettet. Kontakt os, hvis der opstår netværkssikkerhedsrisici.
- Du skal være bevidst om, at du har ansvar for at konfigurere alle adgangskoder og andre sikkerhedsindstillinger vedrørende enheden og at opbevare dit brugernavn og din adgangskode et sikkert sted.

Vedligeholdelse

- Hvis produktet ikke virker korrekt, skal du kontakte din forhandler eller dit nærmeste servicecenter. Vi påtager os intet ansvar for problemer, der er forårsaget af uautoriseret reparation eller vedligeholdelse.
- Der er få enhedsdele (fx elektrolytkondensator), der skal udskiftes regelmæssigt. Den gennemsnitlige levetid varierer. Derfor er det nødvendigt at udføre regelmæssig kontrol. Kontakt din forhandler for nærmere oplysninger.
- Tør enheden forsigtigt af med en ren klud og en lille mængde ætanol, hvis det er nødvendigt.

- Brug en blød børste eller en pustebold til at fjerne støvet.
- Hvis udstyret bruges på en måde, der ikke er angivet af producenten, kan den beskyttelse, der enheden giver, blive forringet.
- Udskift kun med en sikring af samme type og effekt for at reducere risikoen for brand.
- Den serielle port på udstyret bruges kun til fejlfinding.

Driftsmiljø

- Kontrollér, at driftsmiljøet opfylder enhedens krav. Driftstemperaturen skal være fra 0 °C til 50 °C, og driftsluftfugtigheden skal være 95 % eller mindre.
- Enheden må IKKE udsættes for kraftig elektromagnetisk stråling eller støvfylde miljøer.
- Objektivet må IKKE rettes mod solen eller et stærkt lys.
- Udsæt ikke udstyret for dryp eller sprøjt, og placér ikke genstande med væske, såsom vaser, oven på udstyret.
- Placér ikke kilder med åben ild, såsom et tændt stearinlys, oven på udstyret.
- Installér en spændingsdæmper ved udstyrets indgangsåbning under særlige forhold som f.eks. bjergtop, jerntårn og skov.
- Risiko for forbrænding ved håndtering af dele med symbolet . Vent 30 minutter, efter at udstyret er slukket, før delene håndteres.

Nødsituation

Hvis enheden afgiver røg, lugt eller støj, skal du straks slukke for strømmen og trække strømkablet ud. Kontakt derefter servicecentret.

Producentens adresse

Værelse 313, Enhed B, Bygning 2, 399 Danfeng Vej, Xixing Underdistrikt, Binjiang Distrikt, Hangzhou, Zhejiang 310052, Kina
Hangzhou Microimage Software Co., Ltd.

MEDDELELSE OM OVERENSSTEMMELSE: Produkterne i den termografiske serie kan være underlagt eksportkontrol i forskellige lande eller områder, herunder, uden begrænsning, USA, EU, Storbritannien og/eller andre medlemslande i Wassenaar-aftalen. Kontakt din professionelle jurakspert, ekspert i overensstemmelse eller de lokale offentlige myndigheder for at få oplysninger om kravene for eksportlicens, hvis du har til hensigt at overføre, eksportere eller geneksportere enheder i den termiske serie mellem forskellige lande.

Magyar

1. Áttekintés

1.1 Rövid leírás

A hálózati kocka hőkamera egy integrált készülék, amely távolsági internetes felügyeleit eszközként, videó-kiszolgálóként és HD kameraként is használható.

A böngészők és kliensszoftverek segítségével az adatátvitel, az élőkép megtekintése és a konfigurálás távolból is végrehajtható. A készülék

egyszerűen telepíthető, bonyolult kábelezés nélkül.
Használható akár független egységként, akár integrálva többek között berendezés-karbantartási, hibafeltérési vagy iparifolyamat-ellenőrzési robotrendszerekbe integrálva.

1.2 Alkatrészek és csatlakozófelületek (Oldal: 1 – A)

Sz.	A készülék részei és csatlakozói	Leírás
1	Hőérzékelő lencse	Hőkép megjelenítése
2	M3-as csavarlyukak	A csavarokkal történő rögzítéshez.
3	Hálózatjelzők	<ul style="list-style-type: none"> • Villogás: Hálózati adatátvitel. • Folyamatos fény: A hálózat csatlakoztatva van, de nincs adatátvitel.
4	Hálózati interfész	RJ-45, hálózati kommunikációs kábel csatlakozása
5	I/O csatlakozófelület	Csatlakoztassa a tápegységhez és továbbítsa az adatokat.
6	Visszaállítás gomb	Tartsa benyomva 10 másodpercig, majd engedje ki a gombot a készülék gyári beállításainak visszaállításához.
7	Földelőcsavar	Az elektromos biztonság érdekében csatlakoztassa a földelővezetékhez.
8	Bekapcsolást jelző fény	<ul style="list-style-type: none"> • Folyamatos zöld: Működésben. • Folyamatos vörös: A rendszer működésben van.

1.3 Elektromos csatlakozófelület érintkezője (Oldal: 3 – B)

Sz.	Jel	Leírás
1	Tápellátás	Tápbemenet
2	GND	Földelés
3	RS232_RX	Készülékbeállítás
4	RS232_TX	Készülékbeállítás
5	ALARM_IN	1. Riasztásbemenet és -kimenet
6	ALARM_OUT	
7	RS485-	RS-485 soros port kommunikációs csatlakozója
8	RS485+	
9	GND	Analog videó kimenet
0	CVBS	

2. Telepítés

Mielőtt elkezdené:

- Győződjön meg arról, hogy a csomagban található eszköz kifogástalan állapotú, és egyetlen szerelési tartozék sem hiányzik. A készülék méreteit a műszaki leírás tartalmazza.
- Győződjön meg arról, hogy az eszköz és tartozékai telepítéséhez elegendő szabad hely áll rendelkezésre.
- Ellenőrizze bizonyosodjon meg róla, hogy a fal képes megtartani a rendszer és a tartókonzol összsúlyának legalább nyolcszorosát.

- A telepítés előtt ellenőrizze, hogy az összes kapcsolódó berendezés ki van-e csatlakoztatva.
- Ne húzza maga után a kábeleket a készülék mozgatása során, elesés veszélye áll fenn, ugyanakkor megsérülhetnek a csatlakozók és a kábelek.

2.1 A készülék felszerelése

Kérjük, válassza ki a megfelelő rögzítési módszert, figyelembe véve az alkalmazási területet, illetve a más készülékekkel való kombinált használatot.

Megjegyzés:

A készülék nem vízálló. Ne tegye ki a készüléket közvetlen napfény hatásának, és külön egységként ne szerelje kültéri környezetbe. Javasolt további kamerákkal kombinálva használni.

2.1.1 A készülék rögzítése az 1/4-20UNC csavaros konzol segítségével (Oldal: 3 – C)

Lépések:

1. A kapcsolótáblát rögzítse a készülékhez az M3-as csavarokkal.
2. Rögzítse a készüléket az 1/4-20UNC csavarral a megjelölt helyre.

2.1.2 Készülék beszerelése helymeghatározó rendszerbe (Oldal: 4 – D)
Javasolt a négy M3-as csavarlyukon keresztül rögzíteni a készüléket, ha pozícionáló rendszerekkel kombinálva kívánja használni, például PTZ-egységgel vagy robottal.

2.2 A felszerelés befejezése

Csatlakoztassa a megfelelő kábeleket és csatlakoztassa be a készüléket. Bizonyosodjon meg, hogy az élő kép megfelelően működik, majd fejezze be a felszerelést.

- Ha az élő kép megfelelően működik, a felszerelés sikeres.
- Ha a készülék normál állapotban nem indul, ellenőrizze a készülék kábeleinek csatlakozását. Ha a csatlakozások megfelelőek, ellenőrizze a kábeleket.

3. A hálózati kamera aktiválása és elérése

Látogassa meg a www.hikmicrotech.com weboldalt a HIKMICRO Studio alkalmazás letöltéséhez és telepítéséhez. A részletes működést a készülék használati útmutatója tartalmazza.

Szabályozással kapcsolatos információk

Ezek a cikkek kizárólag a megfelelő jelt vagy információt viselő termékekre vonatkoznak.

EU megfelelőségi nyilatkozat



Ez a termék és a mellékelt tartozékai (ha vannak) a „CE” jelzést viselik, így megfelelnek a 2014/30/EU (EMCD), a 2014/35/EU (LVD) és a 2011/65/EU (RoHS) irányelvben felsorolt harmonizált európai szabványoknak.



2012/19/EU irányelv (WEEE irányelv): Az ezzel a jelzéssel ellátott termékeket nem lehet szelektálatlan kommunális hulladékként elhelyezni az Európai Unióban. A megfelelő újrahasznosítás érdekében vigye vissza ezt a terméket helyi beszállítójához, amikor új, egyenértékű berendezést vásárol, vagy adja le a kijelölt gyűjtőhelyeken. További információért keresse fel az alábbi honlapot: www.recyclethis.info



2006/66/EK irányelv és annak 2013/56/EU kiegészítése (akkumulátor-irányelv): Ez a termék olyan elemet tartalmaz, amelyet nem lehet szelektálatlan kommunális hulladékként elhelyezni az Európai Unióban. A termékdokumentációban

további információkat talál az elemről. Az elem ezzel a jelzéssel van ellátva. A jelzésen megtalálhatók lehetnek a kadmiumot (Cd), ólmot (Pb) vagy higanyt (Hg) jelző betűjelek. A megfelelő újrahasznosítás érdekében vigye vissza ezt a terméket a beszállítójához, vagy vigye egy kijelölt gyűjtőhelyre. További információért keresse fel az alábbi honlapot: www.recyclethis.info.

Biztonsági utasítások

Ezen utasítások célja annak biztosítása, hogy a felhasználó a terméket megfelelően tudja használni veszély vagy vagyoni veszteség elkerülése érdekében.

Törvények és szabályok

A termék használatakor szigorúan be kell tartani a helyi elektromos biztonsági előírásokat.

Szállítás

- Szállítás alkalmával tartsa a terméket az eredeti vagy ahhoz hasonló csomagolásban.
- Minden csomagolóanyagot őrizzen meg a későbbi felhasználás érdekében. Hiba esetén az eredeti csomagolásában kell a készüléket visszaküldenie a gyártónak. Az eredeti csomagolástól eltérő csomagolás a termék sérülését okozhatja. A vállalat ez esetben nem vállal semmilyen felelősséget.
- Ne ejtse le és ne tegye ki ütődésnek a készüléket. Tartsa távol a készüléket a mágneses zavarforrásoktól.

Tápellátás

- A bemeneti feszültségnek meg kell felelnie az IEC62368 szabvány szerinti korlátozott áramforrásra vonatkozó előírásoknak (10 V DC - 30 V DC). A részletes információkért olvassa el a műszaki adatokat.
- Ellenőrizze, hogy a tápcsatlakozó stabilan van-e csatlakoztatva a konnektorhoz.
- A hálózati aljzatot a készülék közelében kell felszerelni, könnyen hozzáférhető helyre.
- NE csatlakoztasson több készüléket egy hálózati adapterre, hogy elkerülje a túlterhelés okozta túlmelegedést vagy tűzveszélyt.
- NE érintse meg a bemeneti nyílás csupasz fém érintkezőit a megszakító kikapcsolása után. Még lehet bennük áram.
- A + a berendezés áramot fogadó vagy leadó pozitív érintkezőjét jelöli. A - a berendezés áramot fogadó vagy leadó negatív érintkezőjét jelöli.
- Minősített gyártó hálózati adapterét használja. A tápellátással szembeni részletes követelmények a termék műszaki adataiban vannak feltüntetve.

Akkumulátor

- Az akkumulátor nem megfelelő típusúra cserélése robbanásveszélyt idézhet elő. A használt akkumulátorokat az utasításoknak megfelelően

semlegesítse.

- A beépített akkumulátor nem vehető ki. Kérjük, forduljon a gyártóhoz, ha javítás szükséges.
- Az akkumulátor hosszú távú tárolásakor az akkumulátor minőségének biztosítása érdekében ellenőrizze fél évente, hogy az teljesen fel van-töltve. Ellenkező esetben rongálódás következhet be.
- Ez a készülék nem használható olyan helyen, ahol gyermekek lehetnek jelen.
- Az akkumulátor nem megfelelő típusal történő helyettesítése hatástalanná tehet egy biztonsági berendezést (például bizonyos típusú lítiumion-akkumulátorok esetében).
- Az akkumulátort tűzbe vagy forró sütőbe tenni, illetve az akkumulátort összezúzni vagy felvágni, mert ez robbanást okozhat.
- Tilos az akkumulátort rendkívül magas környezeti hőmérsékletnek kitenni, mert ez robbanást, illetve gyúlékony folyadék vagy gáz szivárgását idézheti elő.
- Tilos az akkumulátort rendkívül alacsony légnyomásnak kitenni, mert ez robbanást, illetve gyúlékony folyadék vagy gáz szivárgását okozhatja.
- Csak minősített gyártó által készített elemet használjon. Az akkumulátorral szembeni részletes követelmények a termék műszaki adataiban vannak feltüntetve.
- A használt akkumulátorokat az utasításoknak megfelelően semlegesítse.

Telepítés

- Soha ne helyezze a berendezést instabil helyre. A berendezés leeshet, ami súlyos vagy akár halálos sérülést okozhat.
- Ez a készülék kizárólag a megfelelő rögzítőelemekkel használható. Az ettől eltérő eszközökkel (kocsi, állvány, vagy tartó) történő használat instabil rögzítést, és emiatt sérülésveszélyt okozhat.

Rendszerbiztonság


- Ön elfogadja, hogy az Internet természeténél fogva biztonsági kockázatokat rejt, és vállalatunk nem vállal felelősséget a rendellenes működésért, az adatszivárgásért vagy más olyan károkért, amelyek kibertámadásból, hackertámadásból erednek; vállalatunk azonban szükség esetén időben műszaki támogatást nyújt.
- Tekintve, hogy a készülék az internetre csatlakozva hálózati biztonsági kockázatoknak lehet kitéve, gondoskodjon a személyes adatok védelméről és az adatbiztonságról. Ha a készülék hálózati biztonsági kockázatoknak lehet kitéve, forduljon hozzánk.
- Ne feledje, hogy az Ön felelőssége az eszközhöz kapcsolódó összes jelszó és egyéb biztonsági beállítás megadása, valamint felhasználónevének és jelszavának biztonságos megőrzése.

Karbantartás

- Ha a termék nem működik megfelelően, forduljon a kereskedőjéhez vagy a legközelebbi szervizközpontoz. Nem vállalunk felelősséget az illetéktelen javításból vagy karbantartásból eredő károkért.

- A készülék néhány alkatrésze (pl. elektrolit kondenzátor) rendszeres cserét igényel. Ezek átlagos élettartama változó, ezért rendszeres ellenőrzés ajánlott. Részletekért forduljon a forgalmazóhoz.
- Törölje le a készüléket egy tiszta ruhával és kis mennyiségű etanollal, ha szükséges.
- A por eltávolítására használjon puha kefét vagy porlefúvót.
- Ha a készüléket nem a gyártó által meghatározott módon használja, a védelem szintje csökkenhet.
- A tűzveszély csökkentése érdekében csak azonos típusú és névleges értékű cserebiztosítót használjon.
- A készülék soros portja kizárólag hibakeresésre szolgál.

Használati környezet

- Győződjön meg arról, hogy a használati környezet megfelel a készülék előírásainak. A megfelelő üzemelési hőmérséklet-tartomány 0 °C - 50 °C (32 °F - 122 °F), a megfelelő üzemelési páratartalom pedig legfeljebb 95%.
- NE TEGYE ki a készüléket erős elektromágneses sugárzásnak vagy poros környezetnek.
- NE IRÁNYÍTSA az objektívet a Nap vagy más erős fényforrás irányába.
- A készüléket védeni kell csöpögő vagy fröccsenő víz és folyadékok ellen. Ne helyezzen vizet tartalmazó edényt, tárgyat, pl. vázát a tetejére.
- Tilos a készüléken nyílt lángforrást, pl. gyertyát elhelyezni.
- Speciális elhelyezés (pl. hegytető, vastorony, erdő) esetén a berendezés bemeneti nyílásánál alkalmazzon túláramvédőt.
- A szimbólummal ellátott alkatrészek megérintése esetén az ujjak égési sérülésének veszélye áll fenn . Ezeknek a részeknek a megérintése előtt várjon fél órát a készülék kikapcsolását követően.

Vészhelyzet

Ha a készülék füstöt, furcsa szagot vagy zajt bocsát ki, azonnal kapcsolja ki, húzza ki a tápkábelt, majd forduljon a szervizközpontoz.

A gyártó címe

313-as szoba, B egység, 2-es épület, 399 Danfeng Road, Xixing alkerület, Binjiang kerület, Hangzhou, Zhejiang 310052, Kína
Hangzhou Microimage Software Co., Ltd.

MEGFELELŐSÉGI MEGJEGYZÉS: A termográfias sorozat termékeire exportszabályozás vonatkozhat különböző régiókban és országokban, pl. az Egyesült Államokban, az Európai Unióban, az Egyesült Királyságban és/vagy a wassenaari egyezmény más tagországaiban. Ha a termográfias sorozat termékeit különböző országok közt szeretné szállítani, exportálni vagy újraexportálni, tájékozódjon a szükséges exportengedélyekről és követelményekről egy jogi vagy megfeleléségi szakértőnél, vagy a helyi hatóságoknál.

Polski

1. Wprowadzenie

1.1 Opis urządzenia

Termograficzna sieciowa kamera tubowa jest urządzeniem integrującym funkcje zdalnego monitoringu internetowego, serwera wideo i kamery HD. Operacje związane ze zdalną transmisją, podglądem i konfiguracją można wykonywać przy użyciu przeglądarki i oprogramowania klienckiego. Urządzenie można zainstalować bez okablowania.

Ten produkt może funkcjonować autonomicznie lub w połączeniu z urządzeniami takimi jak roboty do konserwacji wyposażenia, detekcji usterek lub sterowania procesami technologicznymi.

1.2 Elementy i złącza (str. 1 – A)

Nr	Elementy i złącza	Opis
1	Obiektyw termowizyjny	Wyświetlanie obrazu w podczerwieni
2	Otwory na śruby M3	Umieszczanie śrub w otworach.
3	Wskaźniki sieciowe	<ul style="list-style-type: none">● Miga: przesyłanie danych w sieci.● Włączony: połączenie sieci bez przesyłania danych.
4	Złącze sieciowe	Komunikacja sieciowa (RJ-45)
5	Złącze wejściowe/ wyjściowe	Podłączanie zasilania i przesyłanie danych.
6	Przycisk resetowania	Naciśnij przycisk i przytrzymaj go przez 10 sekund, a następnie zwolnij, aby przywrócić ustawienia fabryczne urządzenia.
7	Zacisk uziemienia	Podłączanie uziemienia zapewniającego bezpieczeństwo elektryczne.
8	Wskaźnik zasilania	<ul style="list-style-type: none">● Włączony zielony: użytkowanie.● Włączony czerwony: system jest uruchomiony.

1.3 Złącze elektryczne (str. 3 – B)

Nr	Sygnal	Opis
1	Zasilanie	Zasilanie
2	Masa (GND)	Masa/uziemienie
3	RS232 RX	Konfiguracja urządzenia
4	RS232 TX	Konfiguracja urządzenia
5	ALARM IN	1, wejście i wyjście alarmowe
6	ALARM OUT	
7	RS485-	Interfejs komunikacji szeregowego portu RS-485
8	RS485+	
9	Masa (GND)	Analogowe wyjście wideo
0	CVBS	

2. Instalacja

Zanim rozpocznieś:

- Upewnij się, że urządzenie w pakiecie nie jest uszkodzone i dostarczono wszystkie części montażowe. Sprawdź specyfikacje wymiarów urządzenia.
- Upewnij się, że dostępne jest miejsce wymagane do instalacji urządzenia i akcesoriów.
- Ściana powinna być przystosowana do obciążenia co najmniej ośmiokrotnie większego niż ciężar systemu z uchwytem.
- Upewnij się, że całe powiązane wyposażenie jest odłączone od zasilania podczas instalacji.
- Nie ciągnij za przewody podczas przenoszenia urządzenia, ponieważ może to spowodować upadek lub nieprawidłowe funkcjonowanie złączy i przewodów.

2.1 Instalowanie urządzenia

Wybierz odpowiednią metodę instalacji zależnie od zastosowania urządzenia i połączenia z innymi urządzeniami.

Uwaga:

Obudowa urządzenia nie jest wodoszczelna. Należy chronić urządzenie przed bezpośrednim światłem słonecznym i nie wolno instalować go poza budynkami. Zalecane jest połączenie urządzenia z innymi kamerami.

2.1.1 Mocowanie urządzenia w uchwycie ze śrubą 1/4 cala 20 UNC

(str. 3 – C)

Procedura:

1. Przymocuj podstawę do urządzenia śrubami M3.
2. Przymocuj urządzenie śrubą 1/4 cala 20 UNC w wybranej lokalizacji.

2.1.2 Mocowanie urządzenia w systemie pozycjonowania (str. 4 – D)

Zalecane jest użycie czterech gwintowanych otworów M3 podczas mocowania urządzenia w systemie pozycjonowania takim jak PTZ lub robot.

2.2 Zakończenie instalacji

Podłącz odpowiednie przewody i zasilanie urządzenia. Upewnij się, że podgląd na żywo jest wyświetlany prawidłowo, a następnie zakończ instalację.

- Jeżeli podgląd na żywo jest wyświetlany prawidłowo, instalacja jest zakończona.
- Jeżeli stan urządzenia jest prawidłowy, ale urządzenie nie jest uruchamiane, sprawdź podłączenie przewodów. Jeżeli przewody są podłączone prawidłowo, sprawdź przewody.

3. Aktywacja i dostęp do kamery sieciowej

Aby pobrać aplikację HIKMICRO Studio i zainstalować ją, skorzystaj z witryny internetowej www.hikmicrotech.com. Aby uzyskać więcej informacji dotyczących obsługi urządzenia, skorzystaj z podręcznika użytkownika.

Informacje dotyczące przepisów

Te klauzule dotyczą tylko produktów z odpowiednimi oznaczeniami lub etykietami.

Deklaracja zgodności z dyrektywami Unii Europejskiej



Ten produkt i ewentualnie dostarczone razem z nim akcesoria oznaczono symbolem „CE” potwierdzającym zgodność

z odpowiednimi ujednoliconymi normami europejskimi, uwzględnionymi w dyrektywie 2014/30/EU dotyczącej kompatybilności elektromagnetycznej (EMCD), dyrektywie 2014/35/EU dotyczącej sprzętu elektrycznego przewidzianego do stosowania w określonych granicach napięcia (LVD) i dyrektywie 2011/65/EU w sprawie ograniczenia stosowania niektórych niebezpiecznych substancji w sprzęcie elektrycznym (RoHS).



Dyrektywa 2012/19/EU w sprawie zużytego sprzętu elektrycznego i elektronicznego (WEEE): Produktów oznaczonych tym symbolem nie wolno utylizować na obszarze Unii Europejskiej jako niesegregowane odpady komunalne. Aby zapewnić prawidłowy recykling tego produktu, należy zwrócić go do lokalnego dostawcy przy zakupie równoważnego nowego urządzenia lub utylizować go w wyznaczonym punkcie selektywnej zbiórki odpadów. Aby uzyskać więcej informacji, skorzystaj z witryny internetowej www.recyclethis.info.



Dyrektywa 2006/66/EC w sprawie baterii i akumulatorów i zmieniająca ją dyrektywa 2013/56/EU: Ten produkt zawiera baterię, której nie wolno utylizować na obszarze Unii Europejskiej jako niesegregowane odpady komunalne.

Szczegółowe informacje dotyczące baterii zamieszczono w dokumentacji produktu. Bateria jest oznaczona tym symbolem, który może także zawierać litery wskazujące na zawartość kadmu (Cd), ołowiu (Pb) lub rtęci (Hg). Aby zapewnić prawidłowy recykling baterii, należy zwrócić ją do dostawcy lub przekazać do wyznaczonego punktu zbiórki. Aby uzyskać więcej informacji, skorzystaj z witryny internetowej www.recyclethis.info.

Zalecenia dotyczące bezpieczeństwa

Te zalecenia umożliwiają prawidłowe korzystanie z produktu i zapobieganie zagrożeniu użytkowników lub zniszczeniu wyposażenia.

Przepisy i rozporządzenia

Produkt powinien być użytkowany zgodnie z lokalnymi rozporządzeniami dotyczącymi bezpiecznego korzystania z urządzeń elektrycznych.

Transport

- Podczas transportu urządzenie powinno być umieszczone w oryginalnym lub podobnym opakowaniu.
- Należy zachować opakowanie urządzenia. W przypadku wystąpienia usterki urządzenia należy zwrócić je do zakładu produkcyjnego w oryginalnym opakowaniu. Producent nie ponosi odpowiedzialności za uszkodzenie urządzenia na skutek transportu bez oryginalnego opakowania.
- Należy chronić urządzenie przed upadkiem lub udarami mechanicznymi. Należy chronić urządzenie przed zakłóceniami magnetycznymi.

Zasilanie

- Napięcie wejściowe powinno spełniać wymagania dotyczące źródeł zasilania z własnym ograniczeniem (LPS; 10 – 30 V DC) zgodnie z normą IEC62368. Szczegółowe informacje zamieszczono w sekcji zawierającej dane techniczne.
- Należy upewnić się, że wtyczka jest prawidłowo podłączona do gniazda sieci elektrycznej.

- Gniazdo sieci elektrycznej powinno być zainstalowane w łatwo dostępnym miejscu w pobliżu urządzenia.
- NIE wolno podłączać wielu urządzeń do jednego zasilacza, ponieważ może to spowodować przegrzanie lub zagrożenie pożarowe na skutek przeciążenia.
- NIE wolno dotykać nieosłoniętych metalowych styków złączy wejściowych po uaktywnieniu wyłącznika automatycznego. W takiej sytuacji elementy urządzenia są wciąż pod napięciem.
- Symbol „+” oznacza dodatnie styki prądu stałego w urządzeniu. Symbol „-” oznacza ujemne styki prądu stałego w urządzeniu.
- Należy korzystać z zasilacza dostarczonego przez markowego producenta. Aby uzyskać więcej informacji dotyczących wymaganego zasilania, należy skorzystać ze specyfikacji produktu.

Bateria

- Zainstalowanie nieodpowiedniej baterii może spowodować wybuch. Zużyte baterie należy utylizować zgodnie z instrukcjami.
- Wbudowana bateria nie jest przystosowana do demontażu przez użytkownika. Jeżeli konieczne jest wykonanie naprawy, należy skontaktować się z producentem.
- Jeżeli bateria jest przechowywana przez dłuższy czas, należy naładować ją całkowicie co pół roku, aby zapewnić jej prawidłowy stan techniczny. Ignorowanie tego zalecenia może spowodować uszkodzenie.
- Urządzenie nie powinno być używane w lokalizacjach, w których mogą przebywać dzieci.
- Zainstalowanie nieodpowiedniej baterii może spowodować zagrożenie (dotyczy to na przykład niektórych baterii litowych).
- Wrzucenie baterii do ognia lub rozgrzanego pieca albo zgniecie lub przecięcie baterii może spowodować jej wybuch.
- Wysoka temperatura w otoczeniu może spowodować wybuch baterii albo wyciek palnej cieczy lub gazu.
- Ekstremalnie niskie ciśnienie powietrza w otoczeniu może spowodować wybuch baterii albo wyciek palnej cieczy lub gazu.
- Należy korzystać z baterii dostarczanych przez markowego producenta. Aby uzyskać więcej informacji dotyczących wymaganej baterii, należy skorzystać ze specyfikacji produktu.
- Zużyte baterie należy utylizować zgodnie z instrukcjami.

Instalacja

- Nie wolno instalować urządzenia na niestabilnym podłożu. Urządzenie może upaść i spowodować poważne zranienie lub zgon.
- To urządzenie powinno być używane wyłącznie z odpowiednimi uchwytami. Użycie innych uchwytów (wózków lub statywów) może spowodować zranienie na skutek niestabilności urządzenia.

Zabezpieczenia systemu

- Użytkownik przyjmuje do wiadomości, że korzystanie z Internetu jest związane z zagrożeniami dla bezpieczeństwa, a nasza firma nie ponosi


odpowiedzialności za nieprawidłowe funkcjonowanie, nieautoryzowane ujawnienie poufnych informacji albo inne szkody wynikające z ataku cybernetycznego lub ataku hakera. Nasza firma zapewni jednak terminową pomoc techniczną, jeżeli będzie to wymagane.

- Należy chronić dane osobowe po połączeniu urządzenia z Internetem. Jeżeli występują zagrożenia urządzenia w sieci, należy skontaktować się z producentem.
- Użytkownik jest zobowiązany do skonfigurowania wszystkich haseł i ustawień zabezpieczeń urządzenia oraz ochrony własnej nazwy użytkownika i hasła.

Konserwacja

- Jeżeli produkt nie działa prawidłowo, skontaktuj się z dystrybutorem lub najbliższym centrum serwisowym. Producent nie ponosi odpowiedzialności za problemy spowodowane przez nieautoryzowane prace naprawcze lub konserwacyjne.
- Konieczna jest regularna wymiana kilku podzespołów urządzenia (np. kondensatora elektrolitycznego). Przeciętny okres użytkowania może być różny, dlatego zalecane jest regularne sprawdzanie stanu technicznego podzespołów. Aby uzyskać więcej informacji, należy skontaktować się z dystrybutorem.
- Należy przetrzeć urządzenie ostrożnie czystą ściereczką zwilżoną niewielką ilością etanolu, jeżeli jest to konieczne.
- Aby usunąć kurz, należy użyć miękkiej szczoteczki lub gruszki.
- Użycie urządzenia niezgodnie z zaleceniami może spowodować anulowanie gwarancji producenta.
- Aby ograniczyć zagrożenie pożarowe, należy używać bezpieczników tego samego typu i o takich samych parametrach znamionowych.
- Złącze szeregowe urządzenia jest używane wyłącznie do debugowania.

Warunki otoczenia

- Należy upewnić się, że warunki otoczenia spełniają wymagania określone przez producenta urządzenia. Podczas użytkowania urządzenia temperatura otoczenia powinna wynosić od 0°C do +50°C, a wilgotność powietrza nie powinna być większa niż 95%.
- Należy chronić urządzenie przed silnym promieniowaniem elektromagnetycznym oraz kurzem i pyłem.
- NIE wolno kierować obiektywu w stronę słońca ani innego źródła intensywnego światła.
- Nie wolno dopuścić do rozlania cieczy na urządzeniu. Nie wolno ustawiać na urządzeniu naczyń napełnionych cieczą, takich jak wazon.
- Nie wolno umieszczać na urządzeniu źródeł nieosłoniętego płomienia, takich jak zapalone świece.
- Należy zapewnić tłumienie udarów elektrycznych przy otwarciu urządzenia w specjalnych warunkach takich jak szczyt wzgórze, wieża z elementów stalowych lub las.
- Dotknięcie gorących podzespołów, oznaczonych symbolem , może

spowodować oparzenie palców. Po wyłączeniu zasilania należy odczekać pół godziny przed dotknięciem podzespołów urządzenia.

Poważne awarie

Jeżeli urządzenie wydziela dym lub intensywny zapach albo emituje hałas, należy niezwłocznie wyłączyć zasilanie i odłączyć przewód zasilający, a następnie skontaktować się z centrum serwisowym.

Adres producenta

Lokal 313, Jednostka B, Budynek 2, Ulica 399 Danfeng, Region dystryktu Xixing, Dystrykt Binjiang, Hangzhou, Zhejiang 310052, Chiny
Hangzhou Microimage Software Co., Ltd.

UWAGA DOTYCZĄCA ZGODNOŚCI Z PRZEPISAMI: Produkty termowizyjne mogą podlegać kontroli eksportu w różnych krajach lub regionach, takich jak Stany Zjednoczone, Wielka Brytania lub kraje członkowskie Unii Europejskiej, które sygnowały porozumienie Wassenaar. Jeżeli planowane jest przesyłanie, eksportowanie lub reeksportowanie produktów termowizyjnych przez granice państw, należy skonsultować się z ekspertem w dziedzinie prawa lub zgodności z przepisami albo z lokalnymi urzędami administracji państwowej, aby uzyskać informacje dotyczące wymaganej licencji eksportowej.

Română

1. Prezentare generală

1.1 Descriere scurtă

Camera termografică tip cutie de rețea este un dispozitiv care integrează supravegherea de la distanță prin intermediul internetului, serverul video și funcțiile HD.

Transmisiunea de la distanță, previzualizarea și configurarea se pot efectua prin intermediul browserelor și al clienților. Dispozitivul poate fi instalat simplu, fără sistem de cabluri structurat.

Acesta poate fi utilizat independent sau combinat cu alte dispozitive, precum roboții, pentru întreținerea echipamentelor, detectarea defecțiunilor, controlul proceselor industriale etc.

1.2 Componente și interfață (Pagina 1 – A)

Nr.	Componente și interfață	Descriere
1	Obiectiv termic	Vizualizați imaginea termică
2	Orificii cu filet M3	Montați șuruburile.
3	Indicatori stare rețea	<ul style="list-style-type: none">● Intermitent: se transmit date de rețea.● Solid: rețeaua este conectată fără transmisie de date.
4	Interfață de rețea	RJ-45, comunicații în rețea
5	Interfață I/O	Conectați la sursa de alimentare și transmiteți date.
6	Butonul de resetare	Apăsați timp de 10 s și eliberați butonul, iar dispozitivul se va restabili la setările din fabrică.
7	Șurub de împământare	Conectați la terminalul de împământare, pentru a garanta

		siguranța electrică.
8	Indicator de putere	<ul style="list-style-type: none"> ● Verde solid: stare de funcționare. ● Roșu continuu: Sistem în stare de funcționare.

1.3 Interfața electrică a pinilor (Pagina 3 – B)

Nr.	Semnal	Descriere
1	Putere	Puterea
2	GND	Impământare
3	RS232_RX	Configurare dispozitiv
4	RS232_TX	Configurare dispozitiv
5	ALARM_IN	1, Intrare și ieșire alarmă
6	ALARM_OUT	
7	RS485-	Interfață de comunicații port serial RS-485
8	RS485+	
9	GND	Ieșire video analogică
0	CVBS	

2. Instalare

Înainte de a începe:

- Asigurați-vă că dispozitivul din pachet este în stare bună și că toate piesele pentru asamblare sunt incluse. Consultați specificațiile pentru dimensiunile dispozitivului.
- Asigurați-vă că există suficient spațiu de instalare a dispozitivului și a accesoriilor.
- Asigurați-vă că peretele este suficient de rezistent pentru a suporta de cel puțin 8 ori greutatea sistemului și a suportului.
- Asigurați-vă că toate echipamentele aferente sunt oprite în timpul instalării.
- Nu trageți cablurile când mutați dispozitivul; în caz contrar, acesta poate cădea sau poate fi afectată performanța interfețelor și cablurilor.

2.1 Montați dispozitivul

Selectați metoda de montare adecvată, în funcție de situațiile de utilizare și combinația cu diferite dispozitive

Notă:

Carcasa dispozitivului nu este rezistentă la apă. Dispozitivul nu poate fi expus la soare sau montat independent în exterior. Se recomandă să combinați dispozitivul cu alte camere.

2.1.1 Montați dispozitivul pe suportul cu șuruburi 1/4-20UNC (Pagina 3 – C)

Pași:

1. Atașați placa de fixare la dispozitiv cu șuruburile M3.
2. Fixați dispozitivul cu șurubul 1/4-20UNC în locul indicat.

2.1.2 Montați dispozitivul pe sistemul de poziționare (Pagina 4 – D)

Se recomandă să utilizați patru orificii cu filet M3 pentru a fixa dispozitivul atunci când combinați dispozitivul cu sisteme de poziționare precum PTZ sau robot.

2.2 Finalizați montarea

Conectați cablurile corespunzătoare și porniți dispozitivul. Asigurați-vă că imaginea de vizualizare în direct funcționează normal, apoi finalizați montarea.

- Dacă imaginea de vizualizare în direct funcționează normal, montarea este finalizată.
- Dacă dispozitivul nu pornește când se află în stare normală, verificați interfețele cablurilor dispozitivului; în cazul în care conexiunile cablurilor sunt normale, verificați cablurile.

3. Activați și accesați camera de rețea

Vizitați www.hikmicrotech.com pentru a descărca și instala HIKMICRO Studio. Consultați manualul de utilizare al dispozitivului pentru operațiuni detaliate.

Informații de reglementare

Aceste clauze se aplică numai produselor care poartă marca sau informațiile corespunzătoare.

Declarație de conformitate UE



Acest produs și, dacă este cazul, și accesoriile furnizate sunt însemnate cu marcajul „CE” și, drept urmare, sunt conforme cu standardele europene armonizate aplicabile, enumerate în

Directiva 2014/30/UE (EMCD), Directiva 2014/35/UE (LVD) și Directiva 2011/65/UE (RoHS).



Directiva 2012/19/UE (directiva DEEE): Produsele marcate cu acest simbol nu pot fi aruncate ca deșeuri municipale nesortate în Uniunea Europeană. Pentru o reciclare adecvată, returnați acest produs furnizorului local la achiziționarea unui echipament nou echivalent sau aruncați-l la punctele de colectare desemnate. Pentru mai multe informații, consultați: www.recyclethis.info



Directiva 2006/66/CE și modificarea acesteia 2013/56/UE (directiva privind bateriile): Acest produs conține o baterie care nu poate fi eliminată ca deșeuri municipale nesortate în Uniunea Europeană. Consultați documentația produsului pentru informații specifice despre baterie. Bateria este marcată cu acest simbol, care poate include litere pentru a indica cadmiul (Cd), plumbul (Pb) sau mercurul (Hg). Pentru o reciclare corectă, returnați bateria furnizorului dvs. sau la un punct de colectare desemnat. Pentru mai multe informații, consultați: www.recyclethis.info.

Instrucțiuni de siguranță

Aceste instrucțiuni sunt menite să asigure că utilizatorul poate utiliza corect produsul pentru a evita pericolul sau pierderea proprietății.

Legi și reglementări

Utilizarea produsului trebuie să respecte cu strictețe reglementările locale de siguranță electrică.

Transport

- Păstrați dispozitivul în ambalajul original sau similar în timpul transportului.
- După dezambalare, păstrați toate ambalajele pentru o viitoare utilizare.

În cazul în care a apărut vreun defect, trebuie să returnați dispozitivul în fabrică cu ambalajul original. Transportul fără ambalajul original poate duce la deteriorarea dispozitivului, iar compania nu își asumă nici o responsabilitate pentru aceasta.

- NU scăpați produsul și NU îl supuneți la șocuri fizice. Țineți dispozitivul departe de interferența magnetică.

Sursa de alimentare

- Tensiunea de intrare trebuie să îndeplinească sursa limitată de putere (între 10 V c.c. și 30 V c.c.) conform standardului IEC62368. Vă rugăm să consultați specificațiile tehnice pentru informații detaliate.
- Asigurați-vă că ștecherul este conectat corect la priza de curent.
- Priza de curent trebuie să fie instalată în apropierea echipamentului și trebuie să fie ușor accesibilă.
- NU conectați mai multe dispozitive la un adaptor de alimentare pentru a evita pericolul de supraîncălzire sau de incendiu.
- NU atingeți contactele metalice goale ale prizelor după ce întrerupătorul de circuit este oprit. Electricitatea mai este prezentă.
- + identifică terminalul (terminalele) pozitiv(e) al(e) echipamentului care este utilizat cu curent continuu sau care generează curent continuu. - identifică terminalul (terminalele) negativ(e) al(e) echipamentului care este utilizat cu curent continuu sau care generează curent continuu.
- Utilizați adaptorul de alimentare furnizat de un producător calificat. Consultați specificațiile produsului pentru cerințele detaliate de alimentare.

Baterie

- Risc de explozie dacă bateria este înlocuită cu una de tip incorect. Aruncați bateriile uzate în conformitate cu instrucțiunile.
- Bateria încorporată nu poate fi demontată. Vă rugăm să contactați producătorul pentru reparații, dacă este necesar.
- Pentru depozitarea pe termen lung a bateriei, asigurați-vă că aceasta este complet încărcată la fiecare jumătate de an pentru a asigura calitatea bateriei. În caz contrar, pot apărea daune.
- Acest echipament nu este adecvat pentru utilizarea în locații în care este posibil să fie prezenți copii.
- Înlocuirea necorespunzătoare a bateriei cu un tip incorect poate anula o protecție (de exemplu, în cazul unor tipuri de baterii cu litiu).
- NU aruncați bateria în foc sau într-un cuptor încins și nici nu zdrobiți sau tăiați mecanic bateria, ceea ce poate duce la o explozie.
- NU lăsați bateria într-un mediu înconjurător cu temperaturi extrem de ridicate, ceea ce poate duce la o explozie sau la scurgerea de lichid sau gaz inflamabil.
- NU supuneți bateria la o presiune extrem de scăzută a aerului, care poate duce la o explozie sau la scurgerea de lichid sau gaz inflamabil.
- Utilizați bateria furnizată de un producător calificat. Consultați specificațiile produsului pentru cerințele detaliate privind pbateria.

- Aruncați bateriile uzate în conformitate cu instrucțiunile.

Instalare

- Nu așezați niciodată echipamentul într-un loc instabil. Echipamentul poate cădea, provocând vătămări corporale grave sau chiar moartea.
- Acest echipament este destinat utilizării numai cu suporturile corespunzătoare. Utilizarea cu alte suporturi (cărucioare, standuri sau suporturi) poate duce la instabilitate și poate provoca vătămări.

Securitatea sistemului


- Recunoașteți că natura internetului implică riscuri de securitate inerente, iar compania noastră nu își asumă nicio responsabilitate pentru funcționarea anormală, scurgerea de informații private sau alte daune rezultate în urma unui atac cibernetic sau a unui atac al hackerilor; cu toate acestea, compania noastră va oferi asistență tehnică în timp util, dacă este necesar.
- Vă rugăm să asigurați protecția informațiilor personale și securitatea datelor, deoarece dispozitivul se poate confrunta cu probleme de securitate a rețelei atunci când este conectat la internet. Vă rugăm să ne contactați în cazul în care dispozitivul ar putea prezenta riscuri de securitate a rețelei.
- Vă rugăm să înțelegeți că aveți responsabilitatea de a configura toate parolele și alte setări de securitate ale dispozitivului și de a vă păstra numele de utilizator și parola.

Întreținere

- În cazul în care produsul nu funcționează corect, vă rugăm să contactați dealerul sau cel mai apropiat centru de service. Nu ne asumăm nicio responsabilitate pentru problemele cauzate de reparații sau întreținere neautorizate.
- Câteva componente ale dispozitivului (de exemplu, condensator electrolitic) necesită înlocuirea regulată. Durata medie de viață variază, deci se recomandă verificarea periodică. Contactați distribuitorul pentru detalii.
- Ștergeți ușor aparatul cu o cârpă curată și o cantitate mică de etanol, dacă este necesar.
- Utilizați o perie moale sau o pompă de aer pentru praf.
- În cazul în care echipamentul este utilizat într-un mod care nu este specificat de producător, protecția oferită de dispozitiv poate fi afectată.
- Pentru a reduce riscul de incendiu, înlocuiți numai cu același tip și rating de siguranță.
- Portul serial al echipamentului este utilizat doar pentru depanare.

Utilizarea mediului

- Asigurați-vă că mediul de funcționare îndeplinește cerințele dispozitivului. Temperatura de funcționare trebuie să fie între 0 °C și 50 °C (32 °F și 122 °F), iar umiditatea de funcționare trebuie să fie de 95% sau mai mică.

- NU expuneți dispozitivul la radiații electromagnetice ridicate sau în medii cu praf .
- NU îndreptați obiectivul la soare sau la orice altă lumină strălucitoare.
- Echipamentul nu trebuie să fie expus la picurare sau stropire și nu trebuie să fie așezate pe el obiecte pline cu lichide, cum ar fi vase.
- Nu trebuie plasate pe echipament surse de flacără goală, cum ar fi lumânările aprinse.
- Furnizați un supresor de supratensiune la deschiderea de admisie a echipamentului în condiții speciale, cum ar fi vârful muntelui, turnul de fier și pădurea.
- Arderea degetelor la manipularea pieselor cu simbolul . Așteptați o jumătate de oră după deconectare înainte de a manipula piesele.

Urgență

Dacă de la dispozitiv apar fum, miros sau zgomot, opriți imediat alimentarea, deconectați cablul de alimentare și contactați centrul de service.

Adresa de fabricație

Camera 313, unitatea B, clădirea 2, strada 399 Danfeng, subdistrictul Xixing, districtul Binjiang, Hangzhou, Zhejiang 310052, China
Hangzhou Microimage Software Co., Ltd.

NOTIFICARE DE CONFORMITATE: Produsele din seria termică pot fi supuse controalelor exporturilor în diferite țări sau regiuni, inclusiv, fără limitare, Statele Unite ale Americii, Uniunea Europeană, Regatul Unit și/sau alte țări membre ale Aranjamentului de la Wassenaar. Vă rugăm să consultați expertul juridic sau de conformitate profesional sau autoritățile administrației locale pentru orice cerințe necesare privind licența de export dacă intenționați să transferați, să exportați, să reexportați produsele din seria termică între diferite țări.

Slovenčina

1. Prehľad

1.1 Stručný opis

Termografická sieťová skrinková kamera je zariadenie, ktoré integruje vzdialený internetový dohľad, video server a funkcie HD kamery. Prostredníctvom prehliadačov a klientov je možné realizovať diaľkový prenos, náhľad a konfiguráciu. Zariadenie je možné jednoducho nainštalovať bez nutnosti zabudovanej kabeláže.

Môže sa používať samostatne alebo sa môže kombinovať so zariadeniami, ako sú roboty, na zariadenia, ako sú roboty na údržbu zariadení, detekciu porúch, riadenie priemyselných procesov atď.

1.2 Komponenty a rozhranie (strana 1 – A)

Císlo	Komponent a rozhranie	Popis
1	Tepelný objektív	Termografické zobrazovanie
2	Otvory so závitom M3	Montáž skrutiek.
3	Indikátory siete	<ul style="list-style-type: none"> • Blikanie: Prenos sieťových údajov. • Sviety bez prerušenia: Sieť je

		pripojená bez prenosu údajov.
4	Sieťové rozhranie	RJ-45, sieťová komunikácia
5	I/O rozhranie	Pripojenie k zdroju napájania a prenos údajov.
6	Tlačidlo obnovenia nastavení	Stlačte tlačidlo na 10 s a uvoľnite ho, čím sa obnovia nastavenia zariadenia z výroby.
7	Uzemňovacia skrutka	Pripojenie k uzemňovacej svorke na zaistenie elektrickej bezpečnosti.
8	Indikátor napájania	<ul style="list-style-type: none"> ● Neprerušovaná zelená: Prevádzka. ● Neprerušovaná červená: Systém je v prevádzke.

1.3 Elektrické kolíkové rozhranie (strana 3 – B)

Císlo	Signál	Popis
1	Napájanie	Zdroj napájania
2	UZEMNENIE	Uzemnenie
3	RS232 RX	Nastavenie zariadenia
4	RS232 TX	Nastavenie zariadenia
5	ALARM IN	1, Vstup a výstup alarmu
6	ALARM OUT	
7	RS485-	Komunikačné rozhranie sériového portu RS-485
8	RS485+	
9	UZEMNENIE	Analógový výstup videa
0	CVBS	

2. Inštalácia

Skôr, ako začnete:

- Skontrolujte, či je zariadenie v balení v dobrom stave a či sú pribalené všetky diely na zostavenie. Rozmery zariadenia nájdete v špecifikáciách.
- Uistite sa, že na inštaláciu zariadenia a príslušenstva máte dostatok miesta.
- Uistite sa, že stena je dostatočne pevná, aby vydržala aspoň 8-násobok hmotnosti systému a držiaka.
- Dbajte na to, aby počas inštalácie boli všetky súvisiace zariadenia vypnuté.
- Pri premiestňovaní zariadenia neťahajte káble, inak môže dôjsť k pádu alebo ovplyvneniu výkonu rozhraní a káblov.

2.1 Montáž zariadenia

Vyberte vhodný spôsob montáže podľa scenárov použitia a kombinácie s rôznymi zariadeniami.

Poznámka:

Kryt zariadenia nie je odolný voči vode. Zariadenie nemôže byť vystavené slnku a samostatne namontované vo vonkajšom prostredí. Zariadenie sa odporúča kombinovať s inými kamerami.

2.1.1 Montáž zariadenia do držiaka so skrutkou 1/4-20UNC (strana 3 – C)

Postup:

1. Pripevnite dosku s kolíkmi k zariadeniu pomocou skrutiek M3.
2. Zariadenie pripevnite pomocou skrutky 1/4-20UNC na určené miesto.

2.1.2 Montáž zariadenie na polohovací systém (strana 4 – D)

Pri kombinácii zariadenia s polohovacím systémom, ako sú PTZ alebo robot, sa odporúča použiť na upevnenie zariadenia štyri otvory so závitom M3.

2.2 Dokončenie montáže

Pripojte príslušné káble a zapnite zariadenie. Uistite sa, že obraz živého náhľadu môže normálne fungovať, a potom dokončíte montáž.

- Ak obraz živého náhľadu funguje normálne, montáž sa dokončila.
- Ak sa zariadenie nespustí, keď je zariadenie v normálnom stave, skontrolujte rozhrania káblov zariadenia; Ak je pripojenie káblov normálne, skontrolujte káble.

3. Aktivácia a prístup k sieťovej kamere

Navštívte www.hikmicrotech.com a stiahnite si a nainštalujte aplikáciu HIKMICRO Studio. Podrobný návod na obsluhu nájdete v návode na používanie zariadenia.

Regulačné informácie

Tieto ustanovenia platia len pre produkty s príslušným označením alebo údajom.

Vyhlasenie o súlade s predpismi EÚ



Tento produkt a dodané príslušenstvo, ak je to relevantné, sú takisto označené značkou „CE“, takže sú v súlade s príslušnými harmonizovanými európskymi normami uvedenými v smernici 2014/30/EÚ (EMCD), smernici 2014/35/EÚ (LVD) a smernici 2011/65/EÚ

(RoHS).



Smernica 2012/19/EÚ (smernica o odpade z elektrických a elektronických zariadení): Produkty označené týmto symbolom sa v rámci Európskej únie nesmú likvidovať spolu s netriedeným komunálnym odpadom. Po zakúpení ekvivalentného nového zariadenia zrecyklujte produkt tým, že ho odovzdáte miestnemu dodávateľovi alebo ho zlikvidujete na určených zberných miestach. Ďalšie informácie nájdete na: www.recyclethis.info



Smernica 2006/66/EC a príslušné doplnenia 2013/56/EÚ (smernica o batériách): Tento produkt obsahuje batériu, ktorá sa v rámci Európskej únie nesmie likvidovať spolu s netriedeným komunálnym odpadom. Konkrétne informácie o batérii nájdete v dokumentácii produktu. Batéria je označená týmto symbolom, ktorý môže obsahovať písmená označujúce obsah kadmia (Cd), olova (Pb) alebo ortuti (Hg). Zrecyklujte batériu tým, že ju odovzdáte dodávateľovi alebo ju zlikvidujete na určenom zbernom mieste. Ďalšie informácie nájdete na: www.recyclethis.info.

Bezpečnostné pokyny

Tieto pokyny slúžia na zabezpečenie správneho používania produktu používateľom s cieľom predchádzať vzniku nebezpečenstva alebo majetkovým stratám.

Právne predpisy a nariadenia

Používanie produktu musí byť v prísnom súlade s miestnymi elektroinštaláčnymi bezpečnostnými predpismi.

Preprava

- Pri preprave ponechajte zariadenie v pôvodnom alebo podobnom balení.
- Po rozbalení si všetky obaly odložte na budúce použitie. V prípade výskytu poruchy bude potrebné, aby ste zariadenie vrátili do výrobcovi v pôvodnom obale. Pri preprave bez pôvodného obalu môže dôjsť k poškodeniu zariadenia a spoločnosť za to nebude niesť žiadnu zodpovednosť.
- Chráňte zariadenie pred pádom alebo nárazom. Zariadenie chráňte pred magnetickým rušením.

Zdroj napájania

- Vstupné napätie by malo vyhovovať obmedzenému zdroju napájania (10 V DC až 30 V DC) podľa normy IEC62368. Podrobné informácie nájdete v technických špecifikáciách.
- Skontrolujte, či je zástrčka správne pripojená k napájacej zásuvke.
- Zásuvka sa musí nainštalovať v blízkosti zariadenia a musí byť ľahko dostupná.
- K jednému napájacímu adaptéru NEPRIPÁJAJTE viacero zariadení, aby nedošlo k prehriatiu alebo riziku požiaru v dôsledku preťaženia.
- Po vypnutí ističa sa NEDOTÝKAJTE neizolovaných kovových kontaktov vstupov. Stále je prítomný elektrický prúd.
- + označuje koncovky s kladnou polaritou v prípade zariadenia, s ktorým sa používa alebo ktoré vytvára jednosmerný prúd. – označuje koncovky so zápornou polaritou v prípade zariadenia, s ktorým sa používa alebo ktoré vytvára jednosmerný prúd.
- Používajte napájací adaptér dodaný oprávneným výrobcom. Podrobné požiadavky na napájanie nájdete v špecifikácii výrobku.

Batéria

- Riziko výbuchu v prípade výmeny batérie za nesprávny typ. Použité batérie zlikvidujte podľa príslušných pokynov.
- Zabudovanú batériu nemožno rozoberať. V prípade potreby opravy sa obráťte na výrobcu.
- Pri dlhodobom uskladnení batériu každý polrok úplne nabite, čím zaistíte jej kvalitu. V opačnom prípade môže dôjsť k poškodeniu.
- Toto zariadenie nie je vhodné na používanie na miestach, na ktorých sa môžu vyskytovať deti.
- Pri nevhodnej výmene batérie za nesprávny typ sa môže deaktivovať bezpečnostný prvok (napríklad pri niektorých typoch lítiových batérií).
- Nevkladajte do ohňa alebo horúcej rúry ani ju mechanicky nedrvtite ani nerezte, pretože by to mohlo spôsobiť výbuch.
- Batériu nenechávajte v prostredí s mimoriadne vysokou teplotou, čo môže viesť k výbuchu alebo úniku horľavých kvapalín alebo plynov.
- Batériu nevystavujte mimoriadne nízkemu tlaku vzduchu, čo môže viesť k výbuchu alebo úniku horľavých kvapalín alebo plynov.
- Používajte batériu dodanú kvalifikovaným výrobcom. Podrobné

- požiadavky na batériu nájdete v špecifikácii výrobku.
- Použité batérie zlikvidujte podľa príslušných pokynov.

Inštalácia

- Zariadenie nikdy neumiestňujte na nestabilné miesto. Zariadenie môže spadnúť, v dôsledku čoho môže dôjsť k vážnemu zraneniu alebo usmrteniu.
- Toto zariadenie je určené na použitie iba s príslušnými držiakmi. V prípade použitia s inými prvkami (vozíky, stojany alebo nosiče) môže dôjsť k nestabilite a možnému zraneniu.

Zabezpečenie systému


- Berte na vedomie, že internetové pripojenie ako také predstavuje bezpečnostné riziká a naša spoločnosť nepreberá zodpovednosť za nenormálnu činnosť, únik osobných údajov alebo iné škody spôsobené kybernetickým útokom, hackerským útokom, avšak v prípade potreby poskytne naša spoločnosť včasnú technickú podporu.
- Po pripojení zariadenia na internet chráňte osobné údaje, pretože môže dôjsť k ohrozeniu zariadenia v dôsledku problémov so zabezpečením siete. Ak by zariadenie mohlo byť v sieťovom prostredí ohrozené, obráťte sa na výrobcu.
- Upozorňujeme, že ste zodpovední za konfiguráciu všetkých hesiel a ďalších bezpečnostných nastavení zariadenia a za uchovanie používateľského mena a hesla.

Údržba

- Ak produkt nepracuje správne, obráťte sa na predajcu alebo na najbližšie servisné stredisko. Nepreberáme žiadnu zodpovednosť za problémy spôsobené neoprávnenou opravou alebo údržbou.
- Niekoľko komponentov zariadenia (napr. elektrolytický kondenzátor) si vyžaduje pravidelnú výmenu. Priemerná doba životnosti sa líši, preto odporúčame pravidelnú kontrolu. So žiadosťou o ďalšie podrobnosti sa obráťte na predajcu.
- V prípade potreby zariadenie jemne utrite čistou handričkou a malým množstvom etanolu.
- Na odfúknutie prachu použite mäkkú kefku alebo balónik na odľudovanie prachu.
- Ak sa zariadenie používa spôsobom, ktorý výrobca neuvádza, môže dôjsť k zníženiu ochrany poskytovanej zariadením.
- S cieľom znížiť riziko požiaru vymeňte poistku rovnakého typu a parametrov.
- Sériový port na zariadení slúži len na servisné účely.

Prevádzkové prostredie

- Zabezpečte, aby prevádzkové prostredie spĺňalo požiadavky zariadenia. Prevádzková teplota musí byť 0 °C až 50 °C (32 °F až 122 °F) a prevádzková vlhkosť nesmie byť vyššia ako 95 %.
- Zariadenie NEVYSTAVUJTE silnému elektromagnetickému žiareniu ani prašnému prostrediu.

- Šošovkou NEMIESTE na slnko ani na žiadny iný silný zdroj svetla.
- Zariadenie nesmie byť vystavené kvapkajúcim ani striekajúcim kvapalinám a na zariadenie sa nesmú umiestňovať žiadne predmety naplnené kvapalinou, napríklad vázy.
- Na zariadenie sa nesmú umiestňovať žiadne zdroje otvoreného ohňa, napríklad zapálené sviečky.
- V nezvyčajných podmienkach, napríklad na vrchole hory, na kovovej veži alebo v lese, zabezpečte vstupný otvor zariadenia ochranou proti prepätiu.
- Nebezpečenstvo popálenia prstov pri manipulácii s časťami so symbolom . Pred manipuláciou s jednotlivými časťami zariadenie vypnite a počkajte pol hodiny.

Núdzový režim

Ak zo zariadenia vychádza dym, zápach alebo hluk, ihneď vypnite napájanie, odpojte napájací kábel a obráťte sa na servisné stredisko.

Adresa výrobcu

Miestnosť 313, Krídlo B, Budova 2, Ulica Danfeng 399, Obvod Xixing, Okres Binjiang, Hangzhou, Zhejiang 310052, Čína
Hangzhou Microimage Software Co., Ltd.

POZNÁMKA O SÚLADE S PREDPISMI: Produkty z radu teplocitlivých prístrojov môžu podliehať exportnej regulácii v rôznych krajinách alebo regiónoch vrátane napríklad Spojených štátov amerických, Európskej únie, Spojeného kráľovstva prípadne aj krajín Wassaenaarskeho usporiadania. Ak máte v úmysle prenášať, exportovať alebo re-exportovať produkty z radu teplocitlivých prístrojov cez hranice medzi rôznymi krajinami, poraďte sa so svojim odborným expertom na legislatívu alebo súlad s predpismi alebo miestnymi úradmi verejnej správy, či existuje povinnosť mať exportné povolenie.



1. မြေခုံသုံးသပ်ချက်

1.1 အတိုချုပ် ဖော်ပြချက်

အပူပိုရိပ်ကွန်ရက်ဘောက်စ် ကင်မရာသည် အင်တာနက်ဖြင့် အဝေးမှ စောင့်ကြည့်ထောက်လှမ်းခြင်း၊ ဗီဒီယိုဆာဗာနှင့် HD ကင်မရာလုပ်ဆောင်ချက်များကို ပေါင်းစပ်ထားသည့် ကိရိယာတစ်ခုဖြစ်သည်။ အဝေးမှ ထုတ်လွှင့်ပေးပို့ခြင်း၊ အကြိုကြည့်ရှုခြင်းနှင့် စီစဉ်သတ်မှတ်ခြင်းတို့ကို ဘရောက်ဇာများနှင့် ကလိုင်းယင့်များမှတစ်ဆင့် ဆောင်ရွက်နိုင်သည်။ စက်ကို စနစ်တကျဖွဲ့စည်းထားသော ကြိုးစနစ်မပါဘဲ ရိုးရှင်းစွာ တပ်ဆင်နိုင်သည်။ ၎င်းကို သီးခြား အသုံးပြုနိုင်သည် သို့မဟုတ် စက်ရုပ်သဏ္ဍာန်တူ

ကိရိယာများထဲတွင် စက်ပစ္စည်း ပြုပြင်ထိန်းသိမ်းရေး၊ ချွတ်ယွင်းချက် ထောက်လှမ်းရေးနှင့် စက်မှုလုပ်ငန်းစဉ်ထိန်းချုပ်မှု စသည်တို့အတွက် အဆိုပါ စက်ရုပ်သဏ္ဍာန်တူ ကိရိယာများနှင့်တွဲ၍ အသုံးပြုနိုင်သည်။

1.2 အစိတ်အပိုင်းများနှင့် အင်တာဖေ့စ် (ဇယားနံပါတ် 1 – A)

နံပါတ်	အစိတ်အပိုင်းများနှင့် အင်တာဖေ့စ်	ရှင်းလင်းချက်
1	အပူ မှန်ဘီလူးများ	အပူပိုင်းကို ကြည့်ပါ
2	M3 ဝက်အူရစ်အပေါက်များ	ဝက်အူများ တပ်ဆင်ပါ။
3	ကွန်ရက် အချက်ပြမီးများ	<ul style="list-style-type: none"> • တဖျပ်ဖျပ်လင်း- ကွန်ရက်ဒေတာကို ပေးပို့သည်။ • အပြည့်လင်း- ဒေတာမပေးပို့ဘဲ ကွန်ရက်နှင့် ချိတ်ဆက်ထားသည်။
4	ကွန်ရက် အင်တာဖေ့စ်	RJ-45၊ ကွန်ရက်ဆက်သွယ်ရေး
5	I/O အင်တာဖေ့စ်	ပါဝါထောက်ပံ့မှုနှင့် ချိတ်ဆက်ပြီး ဒေတာပေးပို့သည်။
6	ပြန်ချိန်ခလုတ်	10 စက္ကန့်ကြာ ဖိထားပြီး ခလုတ်ကို လွှတ်လိုက်ပါ။ ထို့နောက် ကိရိယာသည် စက်ရုံထုတ်ဆက်တင်များအတိုင်း ပြန်ဖြစ်သွားမည်။
7	မြေစိုက်ဝက်အူ	လျှပ်စစ်အန္တရာယ်ကင်းရှင်းစေရန် မြေစိုက်ခလုတ်ခုံနှင့် ချိတ်ဆက်ပါ။
8	ပါဝါအချက်ပြမီး	<ul style="list-style-type: none"> • အစိမ်းရောင် အပြည့်- လုပ်ဆောင်နေသည်။ • အနီရောင် အပြည့်- စနစ်လုပ်ဆောင်နေသည်။

1.3 လျှပ်စစ်ပလတ်ထိုးပင် အင်တာဖေ့စ် (ဇယားနံပါတ် 3 – B)

နံပါတ်	အချက်ပြ	ရှင်းလင်းချက်
1	ပါဝါ	ပါဝါ အဝင်
2	GND	မြေစိုက်
3	RS232_RX	ကိရိယာကို စနစ်သတ်မှတ်ခြင်း
4	RS232_TX	ကိရိယာကို စနစ်သတ်မှတ်ခြင်း
5	ALARM_IN	1၊ သတိပေးချက် အဝင်နှင့် အထွက်
6	ALARM_OUT	
7	RS485-	RS-485 အမှတ်စဉ်ပေါက် ဆက်သွယ်ရေး အင်တာဖေ့စ်
8	RS485+	
9	GND	အန်နာလော့ ဗီဒီယို ထုတ်ပေးခြင်း
0	CVBS	

2. တပ်ဆင်ခြင်း

မတတ်မီ-

- ကိရိယာသည် ထုပ်ပိုးမှုအတွင်းတွင် ကောင်းမွန်သော အခြေအနေတွင် ရှိနေပြီး အစိတ်အပိုင်းများအားလုံး ပါဝင်ကြောင်း သေချာပါစေ။ ကိရိယာ၏ အတိုင်းအတာများကို သိရှိရန် သတ်မှတ်ချက်များကို ကြည့်ပါ။
- ကိရိယာနှင့် အပိုပစ္စည်းများ တပ်ဆင်ရန် နေရာလုံလောက်မှု ရှိမရှိ စစ်ဆေးပါ။
- နံရံသည် စနစ်နှင့် စက်အထိုင်အလေးချိန်၏ အနည်းဆုံး 8 ဆကို ခံနိုင်လောက်သည်အထိ တောင့်တင်းနေရမည်။
- တပ်ဆင်နေစဉ်အတွင်း သက်ဆိုင်သည့် ကိရိယာအားလုံး ပါဝါပိတ်ထားကြောင်း သေချာစေပါ။

- ကိရိယာကို ရွှေ့သည့်အခါ ကြိုးများကို မဆွဲပါနှင့်။ သို့မဟုတ်ပါက ပြုတ်ကျနိုင်သည်။ သို့မဟုတ် အင်တာဖေ့စ်များနှင့် ကေဘယ်များ၏ စွမ်းဆောင်ရည်ကို ထိခိုက်နိုင်သည်။

2.1 ကိရိယာ တပ်ဆင်ခြင်း

အသုံးပြုမည့်အခြေအနေများ၊ တွဲဖက်အသုံးပြုမည့် ကိရိယာအမျိုးမျိုးကိုလိုက်ပြီး သင့်လျော်သော တပ်ဆင်နည်းကို ရွေးချယ်ပါ။

မှတ်ချက်-

ကိရိယာအခွံသည် ရေစိုခံမဟုတ်ပါ။ ကိရိယာကို နေရောင်ခြည်နှင့် ထိတွေ့၍မရသဖြင့် ၎င်းကို ပြင်ပတွင် သီးခြားတပ်ဆင်၍ မရနိုင်ပါ။ ကိရိယာကို အခြားကင်မရာများနှင့် တွဲဖက်အသုံးပြုရန် အကြံပြုပါသည်။

2.1.1 ကိရိယာ 1/4-20UNC ဝက်အူကွင်းတွင် တပ်ဆင်ခြင်း (စာမျက်နှာ 3 – C)

အဆင့်များ-

1. M3 ဝက်အူများသုံး၍ ပင်ဘုတ်ကို စက်တွင်တပ်ပါ။
2. 1/4-20UNC ဝက်အူသုံး၍ ကိရိယာကို ညွှန်ပြထားသော တည်နေရာတွင် တပ်ပါ။

2.1.2 ကိရိယာကို တည်နေရာရှာဖွေ သတ်မှတ်မှုစနစ်တွင် တပ်ဆင်ခြင်း

(စာမျက်နှာ 4 – D)

ကိရိယာကို PTZ သို့မဟုတ် စက်ရပ်ကဲ့သို့ တည်နေရာရှာဖွေ သတ်မှတ်မှုစနစ်များနှင့် တွဲသုံးသည့်အခါ M3 ဝက်အူအပေါက် လေးပေါက်ကို သုံး၍ စက်ကို တပ်ဆင်ရန် အကြံပြုပါသည်။

2.2 အပြီးသတ် တပ်ဆင်ခြင်း

သက်ဆိုင်ရာ ကေဘယ်များနှင့် ချိတ်ဆက်ပြီး ကိရိယာကို ပါဝါဖွင့်ပါ။ တိုက်ရိုက်မြင်ကွင်းပုံရိပ်က ပုံမှန်အလုပ်လုပ်နိုင်ကြောင်း သေချာစစ်ဆေးပြီးနောက် တပ်ဆင်ခြင်းကို အပြီးသတ်ပါ။

- တိုက်ရိုက်မြင်ကွင်းပုံရိပ်က ပုံမှန်အလုပ်လုပ်လျှင် တပ်ဆင်ခြင်း ပြီးဆုံးပါပြီ။

- ကိရိယာ ပုံမှန်ဖြစ်ချိန်တွင် အလုပ်စမလုပ်လျှင် ကိရိယာကေဘယ်များ၏ အင်တာဖေ့စ်များကို စစ်ဆေးပါ။ ကေဘယ်ချိတ်ဆက်မှု ပုံမှန်ဖြစ်လျှင် ကေဘယ်ကြိုးများကို စစ်ဆေးပါ။


3. ကွန်ရက်ကင်မရာကို ဖွင့်ပြီး အသုံးပြုပါ


www.hikmicrotech.com သို့ သွားရောက်ပြီး HIKMICRO Studio ကို ဒေါင်းလုဒ် ဆွဲပြီး ထည့်သွင်းပါ။ အသေးစိတ် လည်ပတ်မှု အတွက် ကိရိယာ၏ သုံးစွဲသူ လက်စွဲ စာအုပ်ကို ကိုးကားပါ။


စည်းကမ်းချက်ဆိုင်ရာ အချက်အလက်များ

ဤအပိုင်းများသည် သက်ဆိုင်ရာ အမှတ်အသား သို့မဟုတ် အချက်အလက်များ ပါရှိသော ထုတ်ကုန်များနှင့်သာ သက်ဆိုင်ပါသည်။

EU စည်းကမ်းချက် ကိုက်ညီမှုဆိုင်ရာ ကြေငြာချက်

 ဤထုတ်ကုန်နှင့် - ကိုက်ညီပါက - ပံ့ပိုးပေးထားသော ဆက်စပ်ပစ္စည်းများကိုလည်း "CE" ဖြင့် အမှတ်အသားပြုထားပြီး 2014/30/EU (EMCD) ညွှန်ကြားချက်၊ 2014/35/EU (LVD) ညွှန်ကြားချက်နှင့် 2011/65/EU (RoHS) ညွှန်ကြားချက် အောက်တွင် ဖော်ပြထားသော သက်ဆိုင်ရာ သဟဇာတဖြစ်သော ဥပဒေပုဒ်များနှင့် ကိုက်ညီပါသည်။

 2012/19/EU ညွှန်ကြားချက် (WEEE ညွှန်ကြားချက်)- ဤသင်္ကေတ ကပ်ထားသည့် ထုတ်ကုန်များကို ဥပဒေပုဒ်အတွင်း ရောနှောစည်ပင်အမှိုက်အနေဖြင့် စွန့်ပစ်နိုင်ခြင်း မရှိပါ။ သေချာစွာ ရီဆိုင်ကယ်လုပ်ရန်အတွက် ဤထုတ်ကုန်ပစ္စည်းကို အလားတူ ပစ္စည်းအသစ်တစ်ခု ဝယ်ယူချိန်တွင် သင့်နယ်ခံ ပစ္စည်းရောင်းချသူထံ ပြန်ပေးပါ သို့မဟုတ် သတ်မှတ်ထားသည့် ပစ္စည်းစုဆောင်းသော နေရာများ၌ စွန့်ပစ်ပါ။ ပိုမိုသိရှိလိုပါက www.recyclethis.info တွင်ကြည့်ပါ။

 2006/66/EC ညွှန်ကြားချက်နှင့် ၎င်း၏ ပြင်ဆင်ဖြည့်စွက်ချက် 2013/56/EU (ဘက်ထရီဆိုင်ရာ ညွှန်ကြားချက်)- ဤထုတ်ကုန်ပစ္စည်းတွင် ဥပဒေပုဒ်အတွင်း ရောနှော စည်ပင်အမှိုက်အနေဖြင့် စွန့်ပစ်နိုင်ခြင်း မရှိသည့် ဘက်ထရီ တစ်လုံး

ပါဝင်နေပါသည်။ ဘက်ထရီအတွက် သီးသန့်အချက် အလက်များကို ထုတ်ကုန်ပစ္စည်းပါ စာရွက်စာတမ်းများ၌ ကြည့်ပါ။ ဤဘက်ထရီကို ကတ်ဒီယမ် (Cd)၊ ခဲ (Pb) သို့မဟုတ် ပြဒါး (Hg) ဟု ညွှန်ပြမည့် စွန့်ပစ်ခြင်းပါဝင်နိုင်ကြောင်း ဤသင်္ကေတဖြင့် မှတ်သားထားပါသည်။ သေချာစွာ ရီဆိုင်ကယ်လုပ်ရန်အတွက် ဤဘက်ထရီကို သင့်နယ်ခံ ပစ္စည်း ရောင်းချသူထံ ပြန်ပေးပါ သို့မဟုတ် သတ်မှတ်ထားသည့် စုဆောင်းသော နေရာ၌ စွန့်ပစ်ပါ။ ပိုမိုသိရှိလိုပါက www.recyclethis.info တွင်ကြည့်ပါ။

ဘေးကင်းလုံခြုံရေးဆိုင်ရာ ညွှန်ကြားချက်

ဤညွှန်ကြားချက်များသည် အန္တရာယ် သို့မဟုတ် ပိုင်ဆိုင်မှုပစ္စည်းပျောက်ဆုံးမှုမှ ရှောင်ရှားနိုင်ရန်အတွက် အသုံးပြုသူအနေဖြင့် ထုတ်ကုန်ကို မှန်ကန်စွာအသုံးပြုနိုင်စေရန် ရည်ရွယ်ပါသည်။

ဥပဒေများနှင့် လုပ်ထုံးလုပ်နည်းများ

ဤထုတ်ကုန်ပစ္စည်းအား အသုံးပြုရာတွင် နယ်မြေတွင်း လျှပ်စစ်ပစ္စည်းဆိုင်ရာ ဘေးကင်းလုံခြုံရေး စည်းကမ်းချက်များနှင့် အတိအကျ ကိုက်ညီရမည်။

သယ်ယူပို့ဆောင်ရေး

- ကိရိယာကို သယ်ယူပို့ဆောင်ရာတွင် မူလ သို့မဟုတ် အလားတူ ထုပ်ပိုးမှုအတိုင်း ထားပါ။
- ကိရိယာအား အထုတ်မှဖောက်ပြီးနောက် ထုတ်ပိုးသည့် ပစ္စည်းများကို နောင်တွင်ပြန်သုံးနိုင်ရန် သိမ်းဆည်းထားပါ။ ချို့ယွင်းမှုတစ်ခုခု ဖြစ်ခဲ့ပါက ကိရိယာကို မူရင်းအထုတ်အပိုးဖြင့် စက်ရုံသို့ ပြန်ပို့ရန် လိုအပ်ပါသည်။ မူလအတိုင်းထုပ်ပိုးထားခြင်းမရှိသော သယ်ယူပို့ဆောင်မှုသည် စက်ပစ္စည်းအပေါ် ထိခိုက်ပျက်စီးမှုဖြစ်စေနိုင်ပြီး ကုမ္ပဏီမှ မည်သို့မျှ တာဝန်ယူမည်မဟုတ်ပါ။
- ထုတ်ကုန်ပစ္စည်းကို လွတ်မကျပါစေနှင့် သို့မဟုတ် တုန်ခါ၍ ဒဏ်ဖြစ်သွားခြင်း မဖြစ်စေပါ နှင့်။ ကိရိယာကို သံလိုက်လမ်းကြောင်း အနှောင့်အယှက်များမှ လွတ်ကင်းရာတွင် ထားပါ။

ပါဝါ ပေးသွင်းမှု

- အဝင်ဗို့အားသည် IEC62368 စံနှုန်းအရ ကန့်သတ်ထားသော ပါဝါရင်းမြစ် (10 VDC မှ 30 VDC) နှင့် ကိုက်ညီသင့်သည်။
အသေးစိတ်အချက်အလက်များအတွက် နည်းပညာဆိုင်ရာ သတ်မှတ်ဖော်ပြချက်များကို ကျေးဇူးပြု၍ ကိုးကားပါ။
- ပလပ်ခေါင်းသည် ပါဝါ အပေါက်တွင် ကောင်းမွန်စွာ ချိတ်ဆက်ထားမှု ရှိမရှိကို သေချာ မြေချထားပါ။
- ပလပ်ပေါက်ကို ကိရိယာအနီးတွင် တပ်ဆင်ထားရမည်ဖြစ်ပြီး အလွယ်တကူ ထိုးချိတ်နိုင်ရမည် ဖြစ်သည်။
- အလုပ်ပိုကြောင့် ဖြစ်ပေါ်လာသော အပူလွန်ခြင်း သို့မဟုတ် မီးဘေးအန္တရာယ်ကို ရှောင်ရှားရန် ပါဝါခုံ တစ်ခုတွင် ကိရိယာ အများအပြားကို မဆက်ထားပါနှင့်။
- ဆားကစ်ဘရိတ်ကာကို ပိတ်ပြီးသော်လည်း အကာရံမပါသော အဝင်များ၏ သတ္တုအဆက်အသွယ်များကို မထိပါနှင့်။ လျှပ်စစ်အား ရှိနေဆဲဖြစ်သည်။
- + တိုက်ရိုက်လျှပ်စီးကြောင်းနှင့် အသုံးပြုသော သို့မဟုတ် တိုက်ရိုက်လျှပ်စီးကြောင်း ထွက်သော ကိရိယာ၏ အပေါင်းပေါင်း(များ)ကို ခွဲခြားမှတ်သားပါ။ - တိုက်ရိုက်လျှပ်စီးကြောင်းနှင့် အသုံးပြုသော သို့မဟုတ် တိုက်ရိုက်လျှပ်စီးကြောင်း ထွက်သော ကိရိယာ၏ အနှုတ်ပေါင်း(များ)ကို ခွဲခြားမှတ်သားပါ။
- အရည်အချင်း ပြည့်မီသည့် ပစ္စည်းထုတ်လုပ်သူမှ ထောက်ပံ့ပေးထားသော အားသွင်းကြိုးကို အသုံးပြုပါ။ ပါဝါ လိုအပ်ချက်ဆိုင်ရာ အသေးစိတ်အတွက် ထုတ်ကုန် သတ်မှတ်ချက်များကို ကိုးကားပါ။

ဘက်ထရီ

- မှန်ကန်မှုမရှိသော ဘက်ထရီအမျိုးအစားဖြင့် လဲမိပါက ပေါက်ကွဲမှုဖြစ်နိုင်သည်။ အသုံးပြုပြီး ဘက်ထရီများကို လမ်းညွှန်ချက်များနှင့်အညီ စွန့်ပစ်ပါ။
- တစ်သားတည်းပါသော ဘက်ထရီကို ဖယ်ထုတ်၍မရနိုင်ပါ။ လိုအပ်ပါက ပြုပြင်ရန်အတွက် ကျေးဇူးပြု၍ ထုတ်လုပ်သူနှင့် ဆက်သွယ်ပါ။

- ဘက်ထရီကြာရှည် သိုလှောင်ရန် အတွက် ဘက်ထရီအရည်အသွေးကောင်းမွန်စေရန် နှစ်ဝက်တိုင်းတွင် သေချာစွာ အားအပြည့်သွင်းထားပါ။ ထိုသို့မဟုတ်လျှင် ထိခိုက်ပျက်စီးမှုဖြစ်စေနိုင်ပါသည်။
- ဤကိရိယာကို ကလေးများရှိနိုင်သည့် နေရာမျိုးတွင် အသုံးပြုရန် မသင့်လျော်ပါ။
- ဘက်ထရီကို ပုံစံမမှန်ဘဲ မှားယွင်းသော အမျိုးအစားတစ်ခုဖြင့် အသစ်လဲခဲ့ပါက safeguard ပျက်စီးနိုင်သည် (ဥပမာအားဖြင့် အချို့သော လစ်သီယမ် ဘက်ထရီအမျိုးအစားများတွင်)။
- ဘက်ထရီကို ပေါက်ကွဲမှု ဖြစ်ပေါ်စေနိုင်သည့် မီးအတွင်းသို့၊ သို့မဟုတ် မီးဖိုအတွင်း၊ သို့မဟုတ် စက်ပစ္စည်းသုံး ထုခြေခြင်း၊ သို့မဟုတ် ဖြတ်တောက်ခြင်း ဖြင့် မစွန့်ပစ်ပါနှင့်။
- ဘက်ထရီကို အလွန်အမင်း မြင့်မားသည့် အပူချိန်ရှိသည့် ပတ်ဝန်းကျင်တွင် မထားပါနှင့်၊ ပေါက်ကွဲမှု ဖြစ်နိုင်သည် သို့မဟုတ် မီးလောင်လွယ်သည့် အရည် သို့မဟုတ် ဓာတ်ငွေ့များ ထွက်လာနိုင်သည်။
- ဤဘက်ထရီကို အလွန်နိမ့်သည့် လေဖိအားနှင့် ထိတွေ့ခြင်း မရှိစေရ၊ ပေါက်ကွဲမှု ဖြစ်နိုင်သည် သို့မဟုတ် မီးလောင်လွယ်သည့် အရည် သို့မဟုတ် ဓာတ်ငွေ့များ ထွက်လာနိုင်သည်။
- အရည်အချင်းပြည့်မီသည့် ပစ္စည်းထုတ်လုပ်သူမှ ထောက်ပံ့ပေးထားသော ဘက်ထရီကို အသုံးပြုပါ။ ဘက်ထရီ လိုအပ်ချက်များ အသေးစိတ်အတွက် ထုတ်ကုန် သတ်မှတ်ချက်များကို ကိုးကားပါ။
- အသုံးပြုပြီး ဘက်ထရီများကို လမ်းညွှန်ချက်များနှင့်အညီ စွန့်ပစ်ပါ။

တပ်ဆင်ခြင်း

- ကိရိယာကို မတည်ငြိမ်သော နေရာများတွင် မည်သည့်အခါမျှ တပ်ဆင်ခြင်း မပြုရပါ။ ဤကိရိယာ ပြုတ်ကျ၍ အနာတရ ပြင်းထန်စွာဖြစ်စေ၊ အသက်ဆုံးရှုံးသည်အထိ ဖြစ်စေ အန္တရာယ် ဖြစ်စေနိုင်သည်။
- ဤကိရိယာကို ၎င်းနှင့်လိုက်ဖက်သော ဒေါက်များဖြင့်သာ

အသုံးပြုရန်ဖြစ်ပါသည်။ အခြား (လက်တွန်းလှည်းများ၊ စင်များ သို့မဟုတ် သယ်ဆောင်သည့်စင်များ) ပစ္စည်းများနှင့် အသုံးပြုခြင်းကြောင့် မတည်မငြိမ်ဖြစ်ပြီး အနာတရ ဖြစ်စေနိုင်ပါသည်။

စနစ် လုံခြုံရေး

- အင်တာနက်၏သဘောသဘာဝအရ မူလအားဖြင့် လုံခြုံရေးဆိုင်ရာအန္တရာယ်များကို ဖြစ်စေနိုင်သည်ကို သင်သိရှိနားလည်ထားပြီးဖြစ်ရာ ဆိုက်ဘာတိုက်ခိုက်မှု၊ ဟက်ကာတိုက်ခိုက်မှုတို့ကြောင့်ဖြစ်သော ပုံမှန်မဟုတ်သော ဆောင်ရွက်မှု ကိုယ်ရေးအချက်အလက်ကျိုးပေါက်မှု သို့မဟုတ် အခြားထိခိုက်မှုများအတွက် ကျွန်ုပ်တို့ကုမ္ပဏီမှ တာဝန်ယူမည်မဟုတ်ပါ။ သို့သော် ကျွန်ုပ်တို့ကုမ္ပဏီသည် လိုအပ်ပါက အချိန်နှင့်တစ်ပြေးညီ နည်းပညာအထောက်အပံ့ပေးမည်ဖြစ်ပါသည်။
- ကိရိယာအား အင်တာနက်သို့ ချိတ်ဆက်ထားလျှင် ကွန်ရက်လုံခြုံမှုဆိုင်ရာ ပြဿနာများ ဖြစ်နိုင်သည့်အတွက် ကိုယ်ရေးအချက်အလက် ကာကွယ်ရေးနှင့် အချက်အလက် လုံခြုံရေးတို့ကို လုပ်ဆောင်ပါ။ ကိရိယာတွင် ကွန်ရက်လုံခြုံရေး အန္တရာယ်များ ရှိနိုင်ပါက ကျွန်ုပ်တို့ထံ ဆက်သွယ်ပါ။
- သင့်အနေဖြင့် ဤကိရိယာနှင့် ပတ်သက်သည့် စကားဝှက်များနှင့် အခြားလုံခြုံရေး ဆက်တင်များကို ထိန်းသိမ်းမှတ်တမ်းရမည်ဖြစ်ပြီး အသုံးပြုသူအမည်နှင့် စကားဝှက်တို့ကို မှတ်သားထားရန် တာဝန်ရှိသည်ကို နားလည်ရန်လိုပါသည်။

ပြင်ဆင်ထိန်းသိမ်းခြင်း

- ကိရိယာ သေချာအလုပ်မလုပ်ပါက အရောင်းဆိုင် သို့မဟုတ် အနီးဆုံး ကြံ့ခိုင်မှုစစ်ဆေးရေး စင်တာသို့ ဆက်သွယ်ပါ။ ခွင့်ပြုချက်မရှိဘဲ ပြင်ဆင်ခြင်း သို့မဟုတ် ထိန်းသိမ်းပြင်ဆင်ခြင်းကြောင့် ဖြစ်ပွားရသည့် မည်သည့်ပြဿနာအတွက်မဆို လုံးဝတာဝန်ယူမည် မဟုတ်ပါ။
- အချို့သော ကိရိယာ အစိတ်အပိုင်းများ (ဥပမာ- အီလက်ထရိုလိုက်တစ်

စွမ်းရည်ထိန်း ပစ္စည်း) သည် ပုံမှန် လဲလှယ်မှု လုပ်ရန် လိုအပ်သည်။ ပျမ်းမျှ သက်တမ်း ကွာခြားမှု ရှိသဖြင့် စစ်ဆေးရန် အကြံပြုသည်။

အသေးစိတ်အတွက် သင့်အား ပစ္စည်းရောင်းပေးသူအား ဆက်သွယ်ပါ။

- လိုအပ်ပါက စက်ကိရိယာကို အရက်ပြန်အနည်းငယ်သုံး၍ သန့်ရှင်းသောအဝတ်စဖြင့် ညင်သာစွာ သုတ်ပါ။
- နူးညံ့သောဘရပ်ရှ် သို့မဟုတ် ဖုန်မှုန့်ရှင်းဘောလုံးကို သုံး၍ ဖုန်များကို ဖယ်ရှားပါ။
- ထုတ်လုပ်သူမှ သတ်မှတ်ထားခြင်းမရှိသောပုံစံဖြင့် ကိရိယာကို အသုံးပြုပါက စက်ပစ္စည်းတွင်ပါသော အကာအကွယ်ကို ထိခိုက်စေနိုင်ပါသည်။
- မီးလောင်ကျွမ်းမှု အန္တရာယ်ကို လျော့ချရန်အတွက် အမျိုးအစားနှင့် အဆင့်အတန်း တူညီသည့် ဖျူစီဖြင့်သာ လဲလှယ်ပေးရမည်။
- ကိရိယာ၏ စီရိယယ် ဆက်သွယ်မှု သည် အမှားပြင်ရန်အတွက်သာ အသုံးပြုသည်။

အသုံးပြုသည့် ပတ်ဝန်းကျင်

- လည်ပတ်လုပ်ဆောင်နေသော ပတ်ဝန်းကျင်သည် ကိရိယာအတွက် လိုအပ်ချက်များ ပြည့်မီစေရန် လုပ်ဆောင်ပါ။ လည်ပတ်နေစဉ် အပူချိန်သည် 0 °C မှ 50 °C (32 °F မှ 122 °F) ရှိရမည်ဖြစ်ပြီး လည်ပတ်လုပ်ဆောင်နေစဉ် စိုထိုင်းဆသည် 95% နှင့်အောက် ရှိရမည်။
- ကိရိယာကို လျှပ်စစ်သံလိုက် ရောင်ခြည် သို့မဟုတ် ဖိုတိုသော ပတ်ဝန်းကျင်များနှင့် မထိတွေ့စေပါနှင့်။
- မှန်ဘီလူးများကို နေ သို့မဟုတ် တောက်ပသော အလင်းရောင်ရှိရာသို့ မချိန်ပါနှင့်။
- ဤကိရိယာကို ရေစိမ့်ကျခြင်း သို့မဟုတ် ဖျန်းပက်ခြင်းဖြန်းပတ်ခြင်းများနှင့် မထိစေရန်နှင့် ပန်းအိုးများ ကဲ့သို့သော အရည်ဖြည့်ထားသည့် ပစ္စည်းများကို ကိရိယာအပေါ်တွင် မတင်ရပါ။
- မီးထွန်းထားသည့် ဖယောင်းတိုင်များ ကဲ့သို့သော အကာအကွယ်မရှိသည့် မီးအရင်းအမြစ်များကို ကိရိယာအပေါ်တွင် မထားရပါ။

- တောင်ထိပ်၊ သံတာဝါတိုင်နှင့် သစ်တောများကဲ့သို့ အထူး အခြေအနေများအောက်တွင် ကိရိယာ၏ အဝင်ပေါက်တွင် ရုတ်တရက် လှုပ်ရှားမှု အထိန်းကို ထည့်ပေးပါ။
- သင်္ကေတပါသော အစိတ်အပိုင်းများကို ကိုင်တွယ်သည့်အခါ လက်ချောင်းများအပူလောင်နိုင်သည် **▲**။ အစိတ်အပိုင်းများကို မကိုင်တွယ်မီ ခလုတ်ပိတ်ပြီး အနည်းဆုံး တစ်နာရီခွဲ စောင့်ဆိုင်းပါ။

အရေးပေါ်

ကိရိယာမှ မီးခိုးငွေ့၊ ညှော်နံ့စသည့် အနံ့၊ ဆူညံသံများ ထွက်လာလျှင် ပါဝါ ချက်ချင်းပိတ်၊ ပါဝါကေဘယ် ဖြုတ်ပြီး ပြုပြင်ရေးစင်တာသို့ ဆက်သွယ်ပါ။

ထုတ်လုပ်သည့်လိပ်စာ

အခန်း 313၊ ယူနိုက်တက် ဝိသေသကဏ္ဍ 2၊ 399 ဒဏ္ဍာရီလမ်း၊ ဇီလင်းခရိုင်၊ ဘဏ္ဍာရေးဌာန၊ ဟန်ဂျိုး၊ ဇီဂျိုး 310052၊ တရုတ်နိုင်ငံ Hangzhou Microimage Software Co., Ltd.

လိုက်နာမှု သတိပေးချက်။ အပူဆိုင်ရာ အတွဲလိုက် ထုတ်ကုန်များသည် အမေရိကန် ပြည်ထောင်စု၊ ဥရောပ သမဂ္ဂ၊ ယူနိုက်တစ် ကင်းဒမ်း နှင့်/သို့ ဝါဆန်နာ စီမံမှု အဖွဲ့ဝင် နိုင်ငံများ အပါအဝင် ဖြစ်ပြီး ယင်းတို့သာ ဟု ကန့်သတ်ထားပဲ အမျိုးမျိုးသော နိုင်ငံများ သို့မဟုတ် ဒေသများ တွင် ပို့ကုန် ထိန်းချုပ်မှုများကို ကြုံတွေ့ ရနိုင်သည်။ သင့်အနေဖြင့် အပူဆိုင်ရာ အတွဲလိုက် ထုတ်ကုန်များကို မတူညီသော နိုင်ငံများအကြား လွှဲပြောင်းခြင်း၊ တင်ပို့ခြင်း၊ ထပ်မံတင်ပို့ခြင်း လုပ်ရန် ရည်ရွယ်ပါက ပို့ကုန် လိုင်စင် လိုအပ်ချက် တစ်စုံတစ်ရာ လိုအပ်ခြင်းရှိမရှိကို ကျွမ်းကျင်သော ဥပဒေ သို့မဟုတ် စည်းမျဉ်းလိုက်နာမှု ကျွမ်းကျင်သူများ သို့မဟုတ် ဒေသခံအစိုးရ အာဏာပိုင်များနှင့် ကျေးဇူးပြု၍ တိုင်ပင်ပါ။

Türkçe

1. Genel Bakış

1.1 Kısa Açıklama

Termografik ağ kutu kamerası; uzak internet gözetimini, görüntü sunucusunu ve HD kamera işlevini bir araya getiren bir cihazdır. Tarayıcılar ve istemciler aracılığıyla uzaktan iletim, ön izleme ve yapılandırma

gerçekleştirilebilir. Cihaz, yapısal kablolama sistemi olmadan kolayca kurulabilir.

Bağımsız olarak kullanılabilir veya ekipman bakımı, hata algılamaya, endüstriyel işlem kontrolü vb. için robotlar gibi cihazlarla birleştirilebilir.

1.2 Bileşen ve Arayüz (Sayfa 1 - A)

No.	Bileşen ve Arayüz	Açıklama
1	Termal Lens	Termal görüntüyü görüntüleyin
2	M3 Dişli Delikler	Vidaları takın.
3	Ağ Göstergeleri	● Flaş: Ağ verilerini iletin. ● Sürekli Yanıyor: Ağ ile veri iletimi olmadan bağlantı kurulmuş.
4	Ağ Arayüzü	RJ-45, ağ iletişimi
5	G/Ç Arabirimi	Güç kaynağına bağlanın ve verileri iletin.
6	Sıfırlama Düğmesi	Düğmeye 10 sn basıp serbest bırakın. Cihaz fabrika ayarlarına geri yüklenecektir.
7	Topraklama Vidası	Elektrik güvenliğini sağlamak için topraklama terminaline bağlayın.
8	Güç Göstergesi	● Sabit Yeşil: Çalışıyor. ● Sürekli Kırmızı: Sistem çalışıyor.

1.3 Pim Elektrik Arayüzü (Sayfa 3 - B)

No.	Sinyal	Açıklama
1	Güç	Güç Girişi
2	GND	Topraklama
3	RS232_RX	Cihaz Kurulumu
4	RS232_TX	Cihaz Kurulumu
5	ALARM_IN	1, Alarm Girişi ve Çıkışı
6	ALARM_OUT	
7	RS485-	RS-485 Seri Port İletişim Arayüzü
8	RS485+	
9	GND	Analog Video Çıkışı
0	CVBS	

2. Montaj

Başlamadan önce:

- Ambalajdaki cihazın sağlam olduğundan ve tüm montaj parçalarının içinde olduğundan emin olun. Cihaz boyutları için teknik özellikleri kontrol edin.
- Cihazı ve aksesuarları kurmak için yeterli alan olduğundan emin olun.
- Duvarın, sistem ve montaj düzeneği ağırlığının en az 8 katına dayanacak kadar güçlü olduğundan emin olun.
- Montaj işlemi esnasında ilgili tüm cihazların gücünün kapalı olduğundan emin olun.
- Cihazı taşıırken kabloları sürüklemeyin. Aksi takdirde düşmelere neden olabilir veya arayüzlerin ve kabloların performansını etkileyebilir.

2.1 Cihazı kurma

Lütfen uygulama senaryolarına ve farklı cihazlarla kombinasyona göre uygun kurulum yöntemini seçin

Not:

Cihaz gövdesi su geçirmez değildir. Cihaz güneş ışığına maruz bırakılmamalı ve açık hava ortamında bağımsız olarak kurulmamalıdır. Cihazın diğer kameralarla birleştirilmesi önerilir.

2.1.1 Cihazı 1/4-20UNC Vida Braketine Takma (Sayfa 3 - C)

Adımlar:

1. Panoyu, M3 vidalarla cihaza sabitleyin.
2. Cihazı, 1/4-20UNC vidayla işaret edilen konuma sabitleyin.

2.1.2 Cihazı Konumlandırma Sistemine Takma (Sayfa 4 - D)

Cihaz PTZ veya robot gibi konumlandırma sistemleriyle birleştirilirken cihazı sabitlemek için dört M3 dişli deliğinin kullanılması önerilir.

2.2 Kurulumu Tamamlama

İlgili kabloları cihaza bağlayın ve cihazı çalıştırın. Canlı görüntüleme görüntüsünün normal şekilde çalıştığını kontrol edin ve ardından kurulumu tamamlayın.

- Canlı görüntüleme görüntüsü normal şekilde çalışıyorsa kurulum tamamlanmıştır.
- Cihaz normal durumdayken başlatılmıyorsa lütfen cihaz kablolarının arayüzlerini kontrol edin. Kablo bağlantısı normalse lütfen kabloları kontrol edin.

3. Ağ Kamerasını Etkinleştirme ve Erişme

HİKMICRO Studio uygulamasını indirerek yüklemek için www.hikmicrotech.com adresini ziyaret edin. Ayrıntılı işlem için cihazın kullanım kılavuzuna bakın.

Mevzuat Bilgisi

Bu maddeler, yalnızca ilgili işarete veya bilgiye sahip ürünler için geçerlidir.

AB Uygunluk Beyanı



Bu ürün ve (varsa) birlikte verilen aksesuarlar ayrıca "CE" ile işaretlenmiştir ve bu nedenle 2014/30/EU (EMCD) Direktifi, 2014/35/EU (LVD) Direktifi ve 2011/65/EU (RoHS) Direktifi altında listelenen geçerli uyumlaştırılmış Avrupa standartlarına uygundur.



2012/19/EU Direktifi (WEEE direktifi): Bu simgeyle işaretlenen ürünler, Avrupa Birliği'nde ayrıştırılmamış belediye atığı olarak yok edilemez. Doğru geri dönüşüm için, eşdeğer yeni ekipman satın aldıktan sonra bu ürünü yerel tedarikçinize iade edin veya

belirtilen toplama noktalarında imha edin. Daha fazla bilgi için bkz: www.recyclethis.info



2006/66/EC Direktifi ve değişiklik 2013/56/EU (batarya direktifi): Bu ürün, Avrupa Birliği'nde ayrıştırılmamış belediye atığı olarak imha edilemeyen bir pil içerir. Özel pil bilgileri için ürün belgelerine bakın. Pil, kadmiyum (Cd), kurşun (Pb) veya cıva (Hg)

içerebildiğini belirtmek bu simgeyle işaretlenmiştir. Doğru geri dönüşüm için pili tedarikçinize veya belirlenmiş bir toplama noktasına iade edin. Daha fazla bilgi için bkz: www.recyclethis.info.

Güvenlik Talimatı

Bu talimatlar ile tehlikeleri veya mal kayıplarını önlemek için kullanıcının ürünü doğru şekilde kullanabilmesinin sağlanması amaçlanmıştır.

Yasalar ve Yönetmelikler

Ürünün yerel elektrik güvenliği düzenlemelerine kesinlikle uygun şekilde kullanılması gerekmektedir.

Ulaşım

- Cihazı taşıırken orijinal ambalajının veya benzer bir ambalajın içerisine koyun.
- Ambalajından çıkardıktan sonra tüm ambalajları ileride kullanmak üzere saklayın. Herhangi bir arıza meydana gelmesi halinde cihazı orijinal sargısıyla birlikte fabrikaya iade etmeniz gerekir. Orijinal ambalajı olmadan taşımak cihaza zarar verebilir bu durumda şirket hiçbir sorumluluk kabul etmeyecektir.
- Ürünü düşürmeyin veya fiziksel darbeye maruz bırakmayın. Cihazı manyetik parazitten uzak tutun.

Güç Kaynağı

- Giriş voltajı, IEC62368 standardına göre Sınırlı Güç Kaynağını (10 VDC ila 30 VDC) karşılamalıdır. Ayrıntılı bilgi için lütfen teknik özelliklere bakın.
- Fişin elektrik prizine düzgün şekilde takıldığından emin olun.
- Priz, ekipmanın yakınına kurulmalı ve kolayca erişilebilir olmalıdır.
- Aşırı yükten kaynaklı aşırı ısınmayı veya yangın tehlikelerini önlemek için bir güç kaynağına birden fazla cihaz TAKMAYIN.
- Devre kesici kapatıldıktan sonra girişlerin çıplak metal kontaklarına DOKUNMAYIN. Elektrik hala vardır.
- + simgesi kullanılan veya doğru akım üreten ekipmanın pozitif terminallerini belirtir. - simgesi kullanılan veya doğru akım üreten ekipmanın negatif terminallerini belirtir.
- Yetkili üretici tarafından sağlanan güç adaptörünü kullanın. Ayrıntılı güç gereksinimleri için ürün özelliklerine bakın.

Pil

- Pil yanlış bir türle değiştirildiğinde patlama riski. Bitmiş pilleri yönetmeliklere göre atın.
- Dahili pil sökülemez. Gerekliyse onarım için lütfen üreticiyle iletişime geçin.
- Pil uzun süre kullanılmadan saklanacaksa pilin kalitesinin devam ettirilmesi için her altı ayda bir tam olarak şarj edilmesini sağlayın. Aksi takdirde hasar meydana gelebilir.
- Bu ekipman çocukların olma ihtimalinin bulunduğu yerlerde kullanım için uygun değildir.
- Pilin yanlış türde bir pille uygun olmayan şekilde değiştirilmesi korumayı geçersiz hale getirebilir (örneğin, bazı lityum pil türleri).
- Pili ateşe veya sıcak fırına atmayın veya pili mekanik olarak patlayabilecek şekilde ezmeyin veya kesmeyin.
- Pili, patlamaya veya yanıcı sıvı veya gaz sızıntısına neden olabilecek aşırı yüksek sıcaklıktaki bir ortamda bırakmayın.
- Pili, patlamaya veya yanıcı sıvı veya gaz sızıntısına neden olabilecek aşırı düşük hava basıncına maruz bırakmayın.
- Yetkili üretici tarafından sağlanan pili kullanın. Ayrıntılı pil

gereksinimleri için ürün özelliklerine bakın.

- Bitmiş pilleri yönetmeliklere göre atın.

Montaj

- Ekipmanı asla sağlam olmayan bir yere yerleştirmeyin. Ekipmanın düşmesi ciddi kişisel yaralanmalara veya ölüme neden olabilir.
- Bu ekipman sadece ilgili braketler ile kullanım içindir. Başka araçlarla (el arabaları, stantlar veya taşıyıcılar) kullanılması, yaralanmaya neden olabilecek dengesizliğe yol açabilir.

Sistem Güvenliği

- İnternetin yapısı nedeniyle güvenlik riskleri barındırdığını ve şirketimizin siber saldırı, bilgisayar korsanı saldırısı veya başka bir internet güvenlik riskinden kaynaklanan anormal çalışma, gizlilik sızıntısı veya başka zararlar için hiçbir sorumluluk almayacağını kabul edersiniz. Ancak şirketimiz gerekirse zamanında teknik destek sağlayacaktır.
- Cihaz internete bağlandığında ağ güvenliği sorunları oluşabileceğinden lütfen kişisel bilgilerin korunduğundan ve veri güvenliği sağlandığından emin olun. Cihazda ağ güvenliği riskleri olduğunda lütfen bizimle iletişime geçin.
- Tüm parolaların ve cihazla ilgili diğer güvenlik ayarlarının yapılandırılması ve kullanıcı adı ile parolasının korunması sorumluluğunun size ait olduğunu lütfen unutmayın.

Bakım

- Ürün düzgün şekilde çalışmıyorsa lütfen bayiinizle veya en yakın servis merkeziyle iletişime geçin. Yetkisiz onarım veya bakımdan kaynaklanan sorunlar için herhangi bir sorumluluk kabul etmeyiz.
- Cihazın birkaç parçası (ör. Elektrolitik kapasitör) düzenli olarak değiştirilmelidir. Ortalama parça ömrü değişiklik göstermektedir bu nedenle periyodik kontrol önerilmektedir. Ayrıntılar için satıcınızla iletişime geçin.
- Cihazı temiz bir bez ve gerekirse az miktarda etanol ile hafifçe silin.
- Tozu temizlemek için yumuşak bir fırça veya üfleme toz tutma topu kullanın.
- Ekipman, üretici tarafından belirtilmeyen bir şekilde kullanılırsa cihaz tarafından sağlanan koruma bozulabilir.
- Yangın riskini azaltmak için, sadece aynı tip ve değerde sigorta ile değiştirin.
- Ekipmanın seri portu sadece hata ayıklama için kullanılır.

Kullanma Ortamı

- Çalışma ortamının cihazın gereksinimlerini karşıladığından emin olun. Çalışma sıcaklığı 0°C ila 50°C (32°F ila 122°F) ve çalışma nemi % 95 veya daha az olmalıdır.
- Cihazı yüksek elektromanyetik radyasyona sahip veya tozlu ortamlarda BULUNDURMAYIN.
- Lensi, güneşe veya herhangi bir parlak ışığa doğru tutmayın.
- Ekipman, damlayan veya sıçrayan sıvılara maruz bırakılmamalı ve

ekipmanın üzerine vazo gibi içi sıvı dolu nesnelerin konulmamasına dikkat edilmelidir.

- Ekipmanın üzerine yanan mum gibi açık alev kaynakları konulmamalıdır.
- Dağ tepesi, demir kule ve orman gibi özel koşullarda ekipmanın giriş açıklığında aşırı gerilim koruyucu sağlayın.
- ▲ sembolü olan parçaları tuttuğunuzda parmaklarınız yanabilir. Kapattıktan sonra parçaları tutmadan önce bir buçuk saat bekleyin.

Acil Durum

Cihazdan duman, koku veya ses geliyorsa hemen gücü kapatarak güç kablosunun bağlantısını kesin ve servis merkeziyle iletişime geçin.

Üretim Adresi

Oda 313, Birim B, Bina 2, 399 Danfeng Caddesi, Xixing Nahiyesi, Binjiang Bölgesi, Hangzhou, Zhejiang 310052, Çin
Hangzhou Microimage Software Co., Ltd.

UYGUNLUK BİLDİRİMİ: Termal serisi ürünler, sınırlama olmaksızın Amerika Birleşik Devletleri, Avrupa Birliği, Birleşik Krallık ve / veya Wassaenaar Düzenlemesinin diğer üye ülkeleri dahil olmak üzere çeşitli ülke veya bölgelerde ihracat kontrollerine tabi olabilir. Termal serisi ürünleri farklı ülkeler arasında transfer etmeyi, ihraç etmeyi veya yeniden ihraç etmeyi düşünüyorsanız, lütfen gerekli ihracat lisansı gereklilikleri için profesyonel hukuk veya uyum uzmanınıza veya yerel hükümet yetkililerine danışın.

Русский

1. Обзор

1.1. Краткое описание

Сетевая термографическая корпусная камера представляет собой устройство, состоящее из системы дистанционного видеонаблюдения через интернет, видеосервера и камеры высокого разрешения. Дистанционная передача данных, предварительный просмотр и конфигурирование могут осуществляться посредством браузеров и клиентов. Это устройство легко устанавливается без структурированной кабельной сети.

Его можно использовать независимо или сочетать с устройствами, такими как работы, для получения автоматизированных систем для обслуживания оборудования, обнаружения отказов, управления промышленными процессами и т. д.

1.2 Компонент и интерфейс (страница 1 – А)

№	Компоненты и интерфейс	Описание
1	Тепловизионный объектив	Получение тепловизионного изображения
2	Резьбовые отверстия М3	Для установочных винтов.
3	Сетевые индикаторы	<ul style="list-style-type: none">● Мигает: передача данных по сети.● Светится постоянно: подключение к сети без передачи данных.
4	Сетевой интерфейс	RJ-45, обмен данными по сети

5	Интерфейс ввода/вывода	Для питания и передачи данных.
6	Кнопка сброса	Нажмите кнопку на 10 с и отпустите, чтобы вернуть заводские настройки устройства.
7	Винт заземления	Для подключения к соединителю заземления для обеспечения электробезопасности.
8	Индикатор питания	<ul style="list-style-type: none"> ● Постоянно светится зеленым: Условия эксплуатации. ● Постоянно светится красным: Система работает.

1.3 Контакты электрического соединителя (страница 3 – В)

№	Сигнал	Описание
1	Питание	Вход питания
2	ЗАЗЕМЛ.	Заземление
3	RS232 RX	Настройка устройства
4	RS232 TX	Настройка устройства
5	ВХОД СИГНАЛА ТРЕВОГИ	1, вход и выход сигнала тревоги
6	ВЫХОД СИГНАЛА ТРЕВОГИ	
7	RS485-	Интерфейс связи: последовательный порты RS-485
8	RS485+	
9	ЗАЗЕМЛ.	Выход аналогового видео
0	CVBS	

2. Установка

Перед началом работы.

- Убедитесь, что устройство в упаковке находится в исправном состоянии, а комплект поставки полон. Уточните размеры устройства. Они указаны в характеристиках.
- Убедитесь в наличии достаточного места для установки устройства и аксессуаров.
- Убедитесь, что стена достаточно прочная, чтобы выдержать 8-кратный вес системы и ее крепления.
- Убедитесь, что во время монтажных работ все оборудование выключено.
- Не тяните за кабели при перемещении устройства. Это может привести к падению или нарушению работы соединителей и кабелей.

2.1 Установка устройства

Выберите подходящий способ установки в соответствии с применимыми сценариями и сочетанием с различными устройствами.

Примечание.

Корпус устройства не является водонепроницаемым. Устройство не может подвергаться воздействию солнца и не должно устанавливаться вне помещений без защиты. Рекомендуется совмещать устройство с другими камерами.

2.1.1 Установка устройства на винтовой кронштейн 1/4-20UNC

(страница 3 – С)

Порядок действий

1. Присоедините коммутатор к устройству винтами М3.
2. Закрепите устройство в выбранном месте винтом 1/4-20UNC.

2.1.2 Установка устройства с использованием системы

позиционирования (страница 4 – D)

Для крепления устройства, сочетаемого с системами позиционирования, такими как PTZ или робот, рекомендуется использоваться четыре резьбовых отверстия М3.

2.2 Завершение установки

Подключите соответствующие кабели и питание к устройству. Убедитесь, что вывод изображения в реальном времени работает нормально, а затем завершите установку.

- Если вывод изображения в реальном времени работает нормально, установка завершена.
- Если исправное устройство не запускается, проверьте соединители кабелей устройства. Если соединение кабеля в норме, проверьте сами кабели.

3. Активация и доступ к сетевой камере

Посетите www.hikmicrotech.com, чтобы загрузить и установить HIKMICRO Studio. Подробную информацию см. в руководстве пользователя устройства.

Нормативная информация

Данные положения применяются только в том случае, если изделие снабжено соответствующей отметкой или информацией.

Соответствие стандартам ЕС



Настоящее изделие и аксессуары, входящие в комплект его поставки, отмечены символом «СЕ», который обозначает их соответствие согласованным Европейским стандартам, перечисленным в Директивах 2014/30/EU (по электромагнитной совместимости), 2014/35/EU (по низковольтному оборудованию) и 2011/65/EU (по ограничению использования опасных веществ).



Директива WEEE 2012/19/EU (по утилизации отходов электрического и электронного оборудования): продукты, отмеченные этим символом, запрещено утилизировать в Европейском союзе в качестве несортированных

муниципальных отходов. Для надлежащей переработки возвратите этот продукт местному поставщику после покупки эквивалентного нового оборудования или утилизируйте его в предназначенных для этого пунктах сбора отходов. Для получения дополнительной информации посетите веб-сайт www.recyclethis.info



Директива 2006/66/EU и поправка к ней 2013/56/EU (сведения о батарее): этот продукт содержит батарею, которую запрещено утилизировать в Европейском союзе в качестве несортированных муниципальных отходов. Для получения точной информации о батарее см. документацию к продукту. Маркировка батареи может включать символы, которые определяют ее химический состав: кадмий (Cd), свинец (Pb) или ртуть (Hg). Для надлежащей утилизации отправьте батарею местному поставщику или утилизируйте ее в специальных пунктах приема отходов. Для получения дополнительной информации посетите веб-сайт www.recyclethis.info.

Инструкция по технике безопасности

Настоящие инструкции предназначены для того, чтобы пользователь мог правильно использовать устройство, чтобы избежать опасности или потери имущества.

Законодательные акты и нормативные документы

Эксплуатация данного изделия должна выполняться в строгом соответствии с местными правилами безопасной эксплуатации электрооборудования.

Транспортировка

- Используйте оригинальную или схожую упаковку для транспортировки устройства.
- После распаковки сохраните упаковочные материалы для дальнейшего использования. В случае неисправности вам потребуется вернуть устройство на завод в оригинальной упаковке. Транспортировка без оригинальной упаковки может привести к повреждению устройства, и компания не будет нести за это ответственности.
- Не роняйте и не ударяйте устройство. Устройство необходимо размещать вдали от источников электромагнитных помех.

Электропитание

- Входное напряжение должно соответствовать ограниченному источнику питания (от 10 В пост. тока до 30 В пост. тока) в соответствии с IEC62368. Подробная информация приведена в таблице технических данных.
- Убедитесь, что вилка правильно подключена к розетке электропитания.
- Электрическая розетка должна находиться рядом с устройством и должна быть легко доступна.
- Во избежание перегрева или возгорания из-за перегрузки ЗАПРЕЩАЕТСЯ подключать несколько устройств к одному адаптеру питания.
- НЕ ПРИКАСАЙТЕСЬ к оголенным металлическим контактам на входах после отключения автоматического выключателя цепи. На них остается электрический заряд.
- + обозначает положительный контакт оборудования, который должен подключаться к источнику постоянного тока. - обозначает

отрицательный контакт оборудования, который должен подключаться к источнику постоянного тока.

- Используйте адаптер питания, предоставленный сертифицированным изготовителем. Требования по электропитанию подробно описаны в технических характеристиках изделия.

Батарея

- При установке батареи недопустимого типа существует риск взрыва. Утилизируйте использованные батареи в соответствии с инструкциями.
- Встроенная батарея не подлежит разборке. В случае необходимости ремонта обратитесь к производителю.
- При длительном хранении батареи полностью заряжайте ее каждые полгода, чтобы обеспечить ее работоспособность. В противном случае батарея может выйти из строя.
- Данное устройство не предназначено для использования в тех местах, где могут находиться дети.
- Установка батареи недопустимого типа может создать угрозу для безопасности (например, в случае некоторых типов литиевых батарей).
- Не бросайте батарею в огонь или горячую печь, не сдавливайте и не разрезайте батарею, поскольку это может привести к взрыву.
- Нахождение батареи в среде с чрезвычайно высокой температурой может привести к взрыву или к утечке горючей жидкости или газа.
- Нахождение батареи в среде с чрезвычайно низким давлением воздуха может привести к взрыву или к утечке горючей жидкости или газа.
- Используйте батарею, поставляемую сертифицированным изготовителем. Требования к батарее подробно описаны в технических характеристиках изделия.
- Утилизируйте использованные батареи в соответствии с инструкциями.

Установка

- Никогда не ставьте устройство на неустойчивую поверхность. Падение устройства на человека может стать причиной серьезных травм или смерти.
- Данное оборудование предназначено для использования только с подходящими кронштейнами. Использование оборудования с другими принадлежностями (тележками, подставками или держателями) может привести к травмам в результате неустойчивости устройства.

Безопасность системы

- Вы осознаете, что интернет по своей природе является источником повышенного риска безопасности, и наша компания не несет ответственности за сбои в работе оборудования, утечку

информации и другой ущерб, вызванный кибератаками, хакерами; однако наша компания обеспечивает своевременную техническую поддержку, если это необходимо.


- Обязательно обеспечьте защиту личной информации и безопасность данных, поскольку при подключении устройства к сети Интернет могут возникнуть проблемы, связанные с сетевой безопасностью. Свяжитесь с нами, если при эксплуатации устройства возникает угроза безопасности сети.
- Помните, что вы несете ответственность за конфигурирование всех паролей и прочих параметров безопасности устройства, а также за сохранность своего имени пользователя и пароля.

Техническое обслуживание

- Если изделие не работает должным образом, обратитесь к дилеру или к специалистам ближайшего сервисного центра. Компания-изготовитель не несет ответственности за неисправности, возникшие в результате несанкционированного ремонта или технического обслуживания.
- Некоторые компоненты устройства (например, электролитические конденсаторы) требуют регулярной замены. Средний срок службы этих компонентов может различаться, поэтому советуем периодически их проверять. Подробности уточняйте у продавца.
- При необходимости осторожно протрите устройство чистой салфеткой, смоченной небольшим количеством этилового спирта.
- Для удаления пыли используйте мягкую щетку или грушу для сдувания пыли.
- Если оборудование используется способом, не указанным производителем, обеспечиваемая устройством безопасность может быть нарушена.
- Для снижения риска возникновения пожара используйте для замены предохранители только соответствующего типа и номинала.
- Последовательный порт оборудования предназначен только для отладки.

Требования к рабочей среде

- Убедитесь, что рабочая среда удовлетворяет требованиям надлежащей работы устройства. Рабочая температура должна быть в пределах от 0 °C до 50 °C, а рабочая влажность не должна превышать 95 %.
- ЗАПРЕЩАЕТСЯ устанавливать устройство в условиях воздействия сильного электромагнитного излучения или в пыльной среде.
- Не направляйте объектив устройства на солнце или другие яркие источники света.
- Устройство не должно подвергаться воздействию капель и брызг; не допускается ставить на него предметы, наполненные жидкостью, например, вазы с цветами.

- Не ставьте на устройство источники открытого огня, например горящие свечи.
- В особых условиях, таких как горные вершины, железные башни и лесные массивы, установите ограничитель перенапряжения на входе оборудования.
- Опасность ожога пальцев при обращении с деталями, обозначенными символом . Перед прикосновением к деталям устройства подождите полчаса после его выключения.

Кнопка подачи экстренного сигнала тревоги

Если устройство испускает дым, неприятный запах или шум, незамедлительно отключите электропитание, извлеките шнур питания и обратитесь в сервисный центр.

Адрес производителя

Комната 313, помещение В, корпус 2, 399 Danfeng Road, район Xixing, округ Binjiang, Hangzhou, Zhejiang 310052, Китай
Компания Hangzhou Microimage Software Co., Ltd.

УВЕДОМЛЕНИЕ О СООТВЕТСТВИИ: В различных странах и регионах, включая США, ЕС, Великобританию и/или другие страны, подписавшие Вассенарские соглашения, на тепловизионные устройства могут распространяться правила экспортного контроля. При необходимости транспортировки между странами, экспорта или реэкспорта тепловизионных устройств обратитесь к юристу, специалисту по соблюдению нормативно-правового соответствия или местным органам власти для получения информации о разрешении на экспорт.

Українська

1. Огляд

1.1 Короткий опис

Термографічна мережева корпусна камера є пристроєм, що об'єднує в собі функції системи дистанційного спостереження через інтернет, відеосервера й камери стандарту HD.

Дистанційне передавання даних, попередній перегляд і конфігурування можна виконувати за допомогою браузерів і клієнтських програм.

Пристрій встановлюється просто й не потребує складної кабельної системи.

Він може використовуватися як окремо, так і в поєднанні з різними системами, як-от роботами для технічного обслуговування обладнання, системами виявлення несправностей, управління промисловими процесами тощо.

1.2 Компоненти й інтерфейс (сторінка 1 – А)

№	Компоненти й інтерфейс	Опис
1	Тепловізійний об'єктив	Отримання теплового зображення
2	Отвори з різьбою МЗ	Встановлення гвинтів.
3	Індикатори мережі	● Блімають: передавання мережевих даних.

		● Світіяться: з'єднання з мережею встановлено, передавання даних відсутнє.
4	Мережевий роз'єм	RJ-45, з'єднання з мережею
5	Роз'єм входу/виходу	Підключення до джерела живлення; передавання даних.
6	Кнопка скидання	Щоб відновити заводські налаштування пристрою, натисніть й утримуйте кнопку протягом 10 с, після чого відпустіть кнопку.
7	Гвинт заземлення	Підключення клеми заземлення з метою гарантування електричної безпеки.
8	Індикатор живлення	● Немиготливий зелений: працює. ● Немиготливий червоний: запуск системи.

1.3 Призначення електричних контактів (сторінка 3 – В)

№	Сигнал	Опис
1	Живлення	вхід шнура живлення
2	GND	Заземлення
3	RS232 RX	Налаштування пристрою
4	RS232 TX	Налаштування пристрою
5	ALARM_IN	1, Вхід і вихід сигналу тривоги
6	ALARM_OUT	
7	RS485-	Інтерфейс послідовного порту RS-485
8	RS485+	
9	GND	Вихід аналогового відеосигналу
0	CVBS	

2. Установлення

Перш ніж почати:

- Переконайтеся, що пристрій в упаковці перебуває у належному стані, та що всі деталі з комплекту в наявності. Перевірте розміри пристрою згідно технічних характеристик.
- Забезпечте достатньо місця для встановлення пристрою та додаткового приладдя.
- Переконайтеся, що стіна достатньо міцна, щоб витримувати вагу у 8 разів більшу за вагу системи й кріплення.
- Переконайтеся, що під час установлення все відповідне обладнання вимкнене.
- При переміщенні пристрою не тягніть кабелі, оскільки це може призвести до падіння пристрою або негативно вплинути на функціонування роз'ємів і кабелів.

2.1 Установлення пристрою

Виберіть спосіб установлення відповідно до бажаних сценаріїв застосування й поєднання з іншими пристроями.

Примітка:

Кожух пристрою не є водонепроникним. Пристрій не можна піддавати дії сонячних променів і встановлювати надворі окремо. Рекомендується поєднувати пристрій з іншими камерами.

2.1.1 Установлення пристрою на кронштейн із гвинтом 1/4-20UNC (сторінка 3 – С)

Порядок установки:

1. Прикріпіть пластину до пристрою гвинтами М3.
2. Закріпіть пристрій в указаному місці за допомогою гвинта 1/4-20UNC.

2.1.2 Установлення пристрою на систему позиціонування (сторінка 4 – D)

У разі поєднання пристрою з системами позиціонування, як от камерами PTZ або роботами, для його кріплення рекомендується скористатися чотирма отворами з різьбою М3.

2.2 Завершення встановлення

Під'єднайте до пристрою відповідні кабелі й увімкніть його. Переконайтеся, що перегляд у реальному часі працює нормально, і завершіть установку.

- Якщо перегляд у реальному часі працює нормально, установка завершено.
- Якщо сам пристрій справний, але не запускається, перевірте кабельні роз'єми; якщо кабельні з'єднання є нормальними, перевірте кабелі.


3. Активація мережевої камери й доступ до неї


Перейдіть за посиланням: www.hikmicrotech.com, щоб завантажити й установити HIKMICRO Studio. Детальні вказівки з експлуатації пристрою див. у посібнику користувача.

Нормативна інформація

Ці положення застосовуються лише до продуктів, які мають відповідний знак або інформацію.

Заява про відповідність стандартам ЄС

 Цей виріб і аксесуари до нього (якщо є в комплекті) мають маркування «CE», а тому відповідають чинним гармонізованим європейським стандартам, переліченим у Директиві з електромагнітної сумісності (EMCD) 2014/30/ЄС, Директиві з низьковольтного електрообладнання (LVD) 2014/35/ЄС і Директиві щодо обмеження використання шкідливих речовин (RoHS) 2011/65/ЄС.

 Директива з утилізації електричного й електронного обладнання (WEEE) 2012/19/ЄС: Вироби, помічені цим символом, не можна утилізувати у Європейському Союзі як несортвані побутові відходи. Щоб забезпечити правильну переробку цього виробу, поверніть його місцевому постачальнику під час придбання аналогічного нового обладнання, або здайте його до спеціально призначеного пункту збирання відходів. Більше інформації див. на сайті: www.recyclethis.info.



Директива 2006/66/ЄС із поправками 2013/56/ЄС (директива щодо акумуляторів): Цей виріб містить батарею, яку не можна утилізувати у Європейському Союзі як несортвані побутові відходи. Інформацію щодо батареї див. у документації до виробу. Батарея помічена цим символом, який може включати букви, які вказують на наявність кадмію (Cd), свинцю (Pb) або ртуті (Hg). Щоб забезпечити правильну переробку батареї, поверніть її постачальнику або здайте до спеціалізованого пункту збирання відходів. Більше інформації див. на сайті: www.recyclethis.info.

Вказівки з техніки безпеки

Ці інструкції дозволять користувачу використовувати виріб правильно та уникати небезпеки чи пошкодження майна.

Закони та норми

Використання виробу повинно суворо відповідати місцевим нормам електробезпеки.

Транспортування

- Під час транспортування зберігайте пристрій в оригінальному або подібному пакуванні.
- Після розпакування виробу зберігайте всі елементи упаковки для майбутнього використання. У разі виникнення будь-яких несправностей ви повинні будете повернути пристрій на завод з оригінальною упаковкою. Транспортування без оригінальної упаковки може призвести до пошкодження пристрою, за що компанія не несе відповідальності.
- Не допускайте падіння виробу або впливу на нього механічних ударів. Тримайте пристрій подалі від магнітних завад.

Живлення

- Вхідна напруга повинна відповідати вимогам до джерел живлення обмеженої потужності (10–30 В постійного струму) згідно зі стандартом IEC62368. Щоб отримати докладну інформацію, див. технічні характеристики.
- Переконайтесь, що штепсельну вилку надійно зафіксовано в розетці.
- Розетка має бути встановлена біля обладнання і до неї повинен бути вільний доступ.
- НЕ ПІДКЛЮЧАЙТЕ декілька пристроїв до одного адаптера живлення, щоб уникнути перегрівання чи небезпеки пожежі внаслідок перенавантаження.
- НЕ ТОРКАЙТЕСЯ оголених металевих контактів на входах після вимкнення автоматичного вимикача. На них залишається електричний заряд.
- + позначає позитивну клему(и) обладнання, що використовує постійний струм чи генерує його. - позначає негативну клему(и) обладнання, що використовує постійний струм чи генерує його.
- Використовуйте адаптер живлення, наданий тільки сертифікованим виробником. Детальні вимоги щодо живлення див. у документації

до пристрою.

Батарея

- Встановлення батареї невідповідного типу може призвести до вибуху. Утилізуйте використані батареї згідно з інструкціями.
- Вбудовану батарею не можна знімати. Якщо потрібен ремонт, зверніться до виробника.
- У разі тривалого зберігання батареї повністю заряджайте її щопівроку, щоб забезпечити її роботоздатність. Інакше батарея може вийти з ладу.
- Це обладнання не підходить для використання у місцях, де можуть перебувати діти.
- Встановлення батареї невідповідного типу може призвести до порушення системи захисту (зокрема, у разі використання літєвих батарей деяких типів).
- Не кидайте батарейку у вогонь або у гарячу піч і не розбивайте та не розрізуйте батарейку. Це може призвести до вибуху.
- Не залишайте батарею в місцях із дуже високою температурою. Це може призвести до вибуху або витоку вогнебезпечної рідини або газу.
- Не залишайте батарею в місцях із дуже низьким атмосферним тиском. Це може призвести до вибуху або витоку вогнебезпечної рідини або газу.
- Використовуйте батарею, виготовлену сертифікованим виробником. Детальні вимоги щодо батарей див. у документації до виробу.
- Утилізуйте використані батареї згідно з інструкціями.

Установлення

- Ніколи не розміщуйте обладнання на хиткій поверхні. Обладнання може впасти, що може призвести до серйозної травми або смерті.
- Це обладнання можна використовувати лише з кронштейнами відповідного типу. Використання чогось іншого (візків, стійок або кріплень) може призвести до падіння обладнання й до травмування.


Безпека системи

- Ви усвідомлюєте, що природа Інтернету несе притаманні ризики для безпеки, і наша компанія не бере на себе ніякої відповідальності за ненормальну роботу, втрату конфіденційності або інші збитки в результаті кібератак і хакерських атак, однак наша компанія за потреби надасть своєчасну технічну підтримку.
- Забезпечте захист особистої інформації та захист даних, оскільки під час підключення до Інтернету пристрій може зіткнутися з проблемами мережевої безпеки. У разі виникнення ризиків для мережевої безпеки пристрою зверніться до нас.
- Усвідомте, що ви несете відповідальність за налаштування всіх паролів та інших параметрів безпеки пристрою, а також за збереження свого імені користувача та пароля.

Технічне обслуговування

- Якщо виріб не працює належним чином, зверніться до вашого дилера або найближчого сервісного центру. Ми не несемо жодної відповідальності за проблеми, які виникли внаслідок недозволеного ремонту чи догляду.
- Пристрій містить декілька компонентів (наприклад, електролітичний конденсатор), які необхідно регулярно замінювати. Середній термін служби різниться, тому рекомендується регулярно перевіряти ці компоненти. Для додаткової інформації звертайтеся до вашого дилера.
- За потреби обережно протріть пристрій чистою тканиною, змоченою невеликою кількістю етилового спирту.
- Щоб видалити пил із пристрою, скористайтеся м'якою щіткою або грушею для здування пилу.
- Якщо обладнання використовується в спосіб, не зазначений виробником, то забезпечувану пристроєм безпеку може бути порушено.
- Для зменшення ризику пожежі замінійте лише на запобіжник такого ж типу і з такими ж характеристиками.
- Послідовний порт обладнання використовується лише для налагодження.

Умови експлуатації

- Переконайтесь, що середа використання відповідає умовам експлуатації пристрою. Робоча температура має становити від 0 °C до 50 °C (від 32 °F до 122 °F), а робоча вологість – не більше 95%.
- НЕ ДОПУСКАЙТЕ потрапляння пристрою в середовище із сильним електромагнітним випромінюванням чи запилене середовище.
- НЕ СПРЯМОВУЙТЕ об'єкти на сонце або інші джерела яскравого світла.
- Не допускайте потрапляння на обладнання крапель чи бризок. Ніколи не ставте на обладнання предмети, наповнені рідиною, як-от вази.
- Забороняється розміщувати на обладнанні джерела відкритого вогню, як-от свічки, які горять.
- Якщо обладнання розміщується на вершині гори, залізної башти чи у лісі, встановіть на вході обмежувач напруги.
- Будьте обережні, щоб не обпекти пальці об деталі, помічені символом . Після вимикання живлення зачекайте півгодини, перш ніж працювати з цими деталями.

Аварійні ситуації

Якщо пристрій випускає дим, запах або видає шум, негайно вимкніть живлення, від'єднайте кабель живлення та зверніться в сервісний центр.

Адреса виробника

Кімната 313, блок Б, будівля 2, 399 Данфен Роуд, підрайон Сісін, район Біньцзян, м. Ханчжоу, Чжецзян, 310052, Китай

ПРИМІТКА ЩОДО ВІДПОВІДНОСТІ НОРМАТИВНИМ ВИМОГАМ: Пристрої теплової серії можуть регулюватися положеннями контролю експорту в різних країнах або регіонах, включаючи, без обмежень, Сполучені Штати Америки, Європейський Союз, Об'єднане Королівств та/або інші країни-учасники Вассенаарської домовленості. Проконсультуйтеся з вашим професійним юристом або експертом із відповідності нормативним вимогам чи місцевими органами влади щодо необхідності експортних ліцензій, якщо ви плануєте передавати, експортувати або реекспортувати пристрої теплової серії між різними країнами.

繁體中文

1. 概覽

1.1 簡述

測溫網路儲存盒攝影機是一款內建遠端網際網路監控、視訊伺服器和高畫質攝影機功能的裝置。
可透過瀏覽器和用戶端進行遠端傳送、預覽及配置。本裝置可簡易安裝，無需架構纜線系統。
本裝置可獨立使用，也可以和機器人此類裝置（裝入機器此類裝置）用於設備維護、失效偵測、工業製程控制等。

1.2 組件與介面 (第 1-A 頁)

編號	組件與介面	說明
1	熱像鏡頭	檢視熱影像
2	M3 線孔	安裝螺絲。
3	網路指示燈	<ul style="list-style-type: none">閃光燈：傳輸網路資料。恆亮：網路已連線且無資料傳輸。
4	網路介面	RJ-45, 網路通訊
5	I/O 介面	連接電源和傳輸資料。
6	重設按鈕	按 10 秒鐘再放開按鈕，裝置將會還原到原廠設定。
7	接地螺絲	連到地線端，確保電氣安全。
8	電源指示燈	<ul style="list-style-type: none">恆亮綠燈：作業中。恆亮紅燈：系統作業中。

1.3 電氣介面 (第 3-B 頁)

編號	訊號	說明
1	功率	電源輸入
2	GND (接地)	接地
3	RS232 RX	裝置設定
4	RS232 TX	裝置設定

5	ALARM IN	1. 警報輸入和輸出
6	ALARM OUT	
7	RS485-	RS-485 序列埠通訊介面
8	RS485+	
9	GND (接地)	類比視訊輸出
0	CVBS	

2. 安裝

開始之前：

- 請確保包裝中裝置的狀況良好，並且隨附配件完整。檢查裝置尺寸規格。
- 確認有足夠的空間安裝裝置和配件。
- 確認牆壁支能夠支撐 8 倍以上系統與安裝架重量。
- 安裝期間請確認已關閉所有相關設備的電源。
- 移動裝置時請勿拖動纜線，否則可能導致纜線掉落或影響介面或纜線的性能。

2.1 安裝裝置

請依據適用不同裝置的場景和組合選取適合的安裝方法。

註記：

裝置外殼無法防水。不可將裝置曝露在陽光下，也不能獨立安裝在戶外環境中。建議將裝置與其他攝影機組合在一起使用。

2.1.1 將裝置安裝到 1/4-20UNC 螺絲安裝架 (第 3-C 頁)

步驟：

1. 使用 M3 螺絲將釘板固定到裝置。
2. 使用 1/4-20UNC 螺絲將裝置固定到指向的間置。

2.1.2 將裝置安裝到定位系統 (第 4-D 頁)

將裝置 PTZ 或機器人此類定位系統時，建議使用 M3 線孔固定裝置。

2.2 完成安裝

連接對應的纜線然後開啟裝置。確認即時預覽圖像能正常運作，然後完成安裝。

- 如果即時預覽圖像可正常運作，表示已完成安裝。
- 如果裝置正常但無法啟動，請檢查裝置纜線介面；如果纜線連接正常，則請查纜線。

3. 啟用及存取網路攝影機

造訪 www.hikmicrotech.com 下載並安裝 HIKMICRO Studio。如需詳細操作，請參閱裝置使用手冊。

法規資訊

這些條款僅適用於帶有對應標記或資訊的產品。

歐盟聲明



本產品及（如果適用）其附件都已標示「CE」，因此符合適用指令 2014/30/EU (EMCD)、指令 2014/35/EU (LVD) 及指令 2011/65/EU (RoHS) 所列之統一歐洲標準。



指令 2012/19/EU (WEEE 指令)：已標示此符號的產品在歐盟不得當成未分類的都市廢棄物處理。為了正確回收，請在購買同等的新設備時將本產品退回當地供應商，或將其棄置在指定的回收點。詳細資訊請參閱 www.recyclethis.info



指令 2006/66/EC 及其修訂 2013/56/EU (電池指令)：本產品內含一顆電池，在歐盟區不能當成未分類的都市廢棄物處理。有關特定的電池資訊，請參閱產品說明文件。已標示此符號的電池可能含有代表鎘 (Cd)、鉛 (Pb) 或汞 (Hg) 的字母。為正確回收，請將電池送回供應商或指定的回收點。詳細資訊請參閱 www.recyclethis.info。

安全指示

這些指示的目的在確保使用者正確使用本產品，避免造成危險或財產損失。

法律和法規

使用本產品必須嚴格遵守當地電氣安全法規。

運輸

- 在運送裝置時，請將裝置放入原本的或類似的包裝中。
- 在拆封後保留所有包裝以供將來使用。如果發生任何故障，則需要利用原本的包裝將裝置送回工廠。未使用原本的包裝運輸可能會導致裝置損壞，本公司概不承擔任何責任。
- 請勿使本產品掉落或遭受撞擊。請勿讓裝置受到磁性干擾。

電源供應

- 輸入電壓應符合 IEC62368 標準的有限電源 (10 VDC 到 30 VDC) 規定。如需詳細資訊，請參閱技術規格。
- 確認已將插頭正確連接至電源插座。
- 電源插座應安裝在裝置附近，而且伸手可及。
- 請勿將多個裝置連接至相同電源變壓器以避免過熱，或因過載造成火災危險。
- 關閉斷路器後，禁止觸碰進電處的外露接點。仍有電力。
- 「+」代表裝置的正極，搭配使用或產生直流電。「-」代表裝置的負極，搭配使用或產生直流電。
- 請使用合格製造商提供的電源變壓器。有關詳細的功率要求，請參閱產品規格。

電池

- 若更換的電池類型不正確，會有爆炸的風險。請依照指示棄置使用過的電池。
- 內建電池無法拆卸。如有需要，請聯絡製造商進行維修。
- 為了長期儲存電池，請確保電池每半年充滿電，以確保電池品質。否則，可能會造成損壞。

- 本裝置不適合在兒童可能出現的場所使用。
- 換錯類型不正確的電池，可能會使保護措施失效（例如，某些類型的鋰電池）。
- 禁止將電池棄置火中或高溫烤箱中，並禁止使用機械來壓碎或切碎電池，否則可能導致爆炸。
- 禁止將電池置於極高溫的環境中，否則可能導致爆炸或造成易燃液體或氣體洩漏。
- 禁止將電池置於極低空氣壓力下，否則可能導致爆炸或造成易燃液體或氣體洩漏。
- 使用合格製造商提供的電池。有關詳細的電池要求，請參閱產品規格。
- 請依照指示棄置使用過的電池。

安裝

- 切勿將裝置置於不牢固的地方。裝置可能會掉落，造成嚴重的人員傷亡。
- 本裝置僅可使用指定的支架。與其他物品（推車、支架或運輸車）搭配使用，可能會導致不穩定而造成傷害。

系統安全性

- 您瞭解網際網路在本質上具有安全風險，對於因網路攻擊、駭客攻擊、病毒感染或其他網路安全風險而造成的運作異常、隱私洩漏或其他損害，本公司一概不負責；但本公司將提供及時的技術支援。
- 請採取個人資訊與資料安全措施，因為當裝置連線到網際網路時，可能會遭遇網路安全問題。若是裝置有網路安全風險的問題，請與我們聯絡。
- 請瞭解您必須負責替裝置設定所有密碼和其他安全性設定，並記下您的使用者名稱和密碼。

維護

- 如果產品無法正常運作，請聯絡您的經銷商或最近的服務中心。對於因未經授權的維修或保養而造成的問題，本公司概不承擔任何責任。
- 部分裝置元件（例如電解電容）需要定期更換。平均壽命不同，因此建議定期檢查。如需詳細資訊，請聯絡您的零售商。
- 如有需要，請使用乾淨的布和少量酒精輕輕擦拭裝置。
- 使用軟刷或吹塵球將灰塵移除。
- 如果以製造商未指定的方式使用設備，則可能會影響裝置所提供的保護。
- 為降低火災風險，只能更換類型與額定值相同的保險絲。
- 裝置的序列埠僅供調整使用。

使用環境

- 請確定操作環境符合裝置的需求。工作溫度應為 0°C 至 50°C (32°F 至 122°F)，工作濕度應為 95% 以下。
- 請勿使裝置暴露於高電磁輻射或塵土飛揚的環境中。
- 請勿將鏡頭瞄準陽光或任何其他明亮的光線。
- 本裝置不得曝露在會滴水或濺水的環境中，且不得將裝有液體的物品（例如花瓶）放在裝置上。
- 不得將開放性火源（例如點燃的蠟燭）放置在裝置上。
- 在特殊環境，例如山頂、鐵塔和森林中，請在裝置的進電處加上突

- 波抑制器。
處理這些零件會燙傷手指 (符號：▲)。請在關閉電源後半小時再處理這些零件。

緊急

如果裝置產生煙霧、異味或噪音，請立即關閉電源，拔除電源線，並聯絡維修中心。

製造地址

310052 中國浙江省杭州市濱江區西興街區丹風路 399 號 2 號樓 B 單元 313 室
杭州微影軟件有限公司

合規性注意事項：熱像系列產品可能在不同國家或地區受到出口管制，包括但不限於美國、歐盟、英國和/或瓦森納協議的其他成員國。如果您打算在不同國家之間轉讓、出口、再出口熱像系列產品，請洽詢您的專業法律或合規性專家或地方政府機關，以瞭解任何必要的出口許可要求。

한국어

1. 소개

1.1 간략 설명

열화상 네트워크 박스 카메라는 원격 인터넷 감시, 비디오 서버 및 HD 카메라 기능을 통합한 장비입니다.

원격 전송, 미리보기 및 구성은 브라우저와 클라이언트를 통해 수행될 수 있습니다. 이 장비는 구조화된 케이블링 시스템 없이 간단하게 설치할 수 있습니다.

개별적으로 사용할 수도 있고 장비 유지보수, 고장 감지, 산업 공정 제어 등의 목적으로 사용하는 로봇과 같은 장비와 조합할 수도 있습니다.

1.2 구성요소 및 인터페이스(1 페이지 - A)

번호	구성요소 인터페이스	및	설명
1	열화상 렌즈		열화상 이미지 보기
2	M3 스레드 홀		나사를 설치합니다.
3	네트워크 표시등		<ul style="list-style-type: none"> ● 깜박임: 네트워크 데이터를 전송합니다. ● 점등: 데이터 전송 없이 네트워크가 연결되어 있습니다.
4	네트워크 인터페이스		RJ-45, 네트워크 커뮤니케이션
5	입/출력 인터페이스		전원 공급 장치에 연결하고 데이터를 전송합니다.
6	초기화 버튼		버튼을 10초간 눌렀다 떼면 장비가 공장 설정으로

		복원됩니다.
7	접지 나사	저기 안전이 보장되도록 접지 터미널에 연결합니다.
8	전원 표시기	<ul style="list-style-type: none"> ● 녹색 커짐: 작동하고 있습니다. ● 빨간색 커짐: 시스템이 작동하고 있습니다.

1.3 핀 전기 인터페이스(3 페이지 - B)

번호	신호	설명
1	전원	전원 입력
2	GND	접지합니다
3	RS232 RX	장비 설정
4	RS232 TX	장비 설정
5	ALARM IN	1, 알람 입력 및 출력
6	ALARM OUT	
7	RS485-	RS-485 시리얼 포트 통신 인터페이스
8	RS485+	
9	GND	아날로그 비디오 출력
0	CVBS	

2. 설치

시작하기 전에:

- 패키지에 포함된 장비의 상태가 양호하고 모든 조립 부품이 포함되어 있는지 확인하십시오. 장비 크기 사양을 확인하십시오.
- 장비와 액세서리를 설치할 공간이 충분한지 확인하십시오.
- 벽이 시스템과 마운트 무게의 8 배 이상을 견딜 수 있어야 합니다.
- 설치하는 동안 관련 장비의 전원이 모두 꺼져 있는지 확인하십시오.
- 장비를 옮길 때는 케이블을 끌지 마십시오. 떨어지거나 인터페이스 및 케이블 성능에 영향을 미칠 수 있습니다.

2.1 장비 설치

해당되는 시나리오 및 다른 장비와의 조합에 따라 적절한 설치 방법을 선택하십시오

노트:

장비 쉘은 방수가 되지 않습니다. 장비를 태양에 노출시킬 수 없으며 실외 환경에 단독으로 설치할 수 없습니다. 장비를 다른 카메라와 조합하는 것이 좋습니다.

2.1.1 1/4-20UNC 나사 브래킷에 장비 설치(3페이지 - C)

단계:

1. M3 나사로 장비에 핀보드를 고정합니다.
2. 1/4-20UNC 나사로 정해 놓은 위치에 장비를 고정합니다.

2.1.2 포지셔닝 시스템에 장비 설치(4페이지 - D)

PTZ 또는 로봇 등 포지셔닝 시스템에 장비를 결합할 때는 M3 스레드 홀 네 개를 사용해 장비를 고정하는 것이 좋습니다.

2.2 설치 완료

적합한 케이블을 연결하고 장비 전원을 켭니다. 라이브 뷰 이미지가 정상적으로 작동하는지 확인한 다음 설치를 완료합니다.

- 라이브 뷰 이미지가 정상적으로 작동하면 설치가 완료된 것입니다.
- 장비가 정상인데 장비를 시작하지 못했을 경우 장비 케이블의 인터페이스를 확인하십시오. 케이블 연결이 정상이라면 케이블을 확인하십시오.


3. 네트워크 카메라 활성화 및 액세스


www.hikmicrotech.com을 방문하여 HIKMICRO Studio를 다운로드하고 설치하십시오. 자세한 작동은 장비의 사용 설명서를 참조하십시오.


규제 정보

이 조항은 해당 마크 또는 정보가 있는 제품에만 적용됩니다.

EU 적합성 선언

 본 제품은 물론 제공되는 액세서리(해당되는 경우)에도 "CE"가 표시되어 있으므로 Directive 2014/30/EU(EMCD), Directive 2014/35/EU(LVD) 및 Directive 2011/65/EU(RoHS)에 명시된 적용되는 유럽 공통 표준을 준수합니다.

 Directive 2012/19/EU(WEEE 지침): 이 기호가 표시된 제품은 유럽 연합 내에서 분류되지 않은 일반폐기물로 폐기할 수 없습니다. 적절히 재활용하기 위해 동급 장비를 새로 구매할 때 현지 공급업체에 제품을 반납하거나 지정된 수거 장소에 폐기하십시오. 자세한 내용은 www.recyclethis.info를 참조하십시오.

 Directive 2006/66/EC 및 개정 2013/56/EU(배터리 지침): 본 제품에는 유럽 연합 내에서 분류되지 않은 일반폐기물로 폐기할 수 없는 배터리가 포함되어 있습니다. 특정 배터리에 관한 자세한 내용은 제품 관련 문서를 참조하십시오. 이 기호가 표시된 배터리에는 카드뮴(Cd), 납(Pb) 또는 수은(Hg)을 나타내는 글자가 포함될 수 있습니다. 적절히 재활용하기 위해 공급업체에 배터리를 반납하거나 지정된 수거 장소에 폐기하십시오. 자세한 내용은 www.recyclethis.info를 참조하십시오.

KC

A급 기기: 이 기기는 업무용(A급) 전자파적합기기로서 판매자 또는 사용자는 이 점을 주의하시기바라며, 가정 외의 지역에서 사용하는 것을 목적으로 합니다.

안전 지침

이 지침은 사용자가 제품을 올바르게 사용해 위험 또는 재산상의 손실을 방지하도록 하기 위해 제공되는 것입니다.

법률 및 규정

제품을 사용하려면 현지 전기 안전 규정을 엄격히 준수해야 합니다.

운반

- 장비를 운반할 때는 본래 포장재 또는 유사한 포장재에 장비를 놓으십시오.
- 포장을 푼 다음에는 나중에 사용할 수 있도록 모든 포장재를 보관하십시오. 고장이 발생할 경우에는 장비를 본래 포장 상태로 포장해 공장으로 반품해야 합니다. 본래 포장 상태로 운송하지 않으면 장비가 손상될 수 있으며, 회사는 일절 책임지지 않습니다.
- 제품을 떨어뜨리거나 물리적 충격을 가하지 마십시오. 장비가 전자파의 간섭을 받지 않도록 하십시오.

전원 공급 장치

- IEC62368 표준에 따라 입력 전압은 LPS (10 VDC 에서 30 VDC) 를 충족해야 합니다. 자세한 내용은 기술 사양을 참조하십시오.
- 플러그가 전원 소켓에 올바르게 연결되어 있는지 확인하십시오.
- 콘센트는 장비 근처에 설치되어 있어야 하고 쉽게 접근할 수 있어야 합니다.
- 과부하로 인한 과열 또는 화재 위험을 방지하기 위해 하나의 전원 어댑터에 여러 장비를 연결하지 마십시오.
- 회로 차단기가 꺼진 후 인렛에 있는 노출된 금속 접점을 손으로 만지지 마십시오. 전기가 남아 있습니다.
- +은 직류에 사용하거나 직류를 생성하는 장비의 양극 터미널을 의미합니다. -은 직류에 사용하거나 직류를 생성하는 장비의 음극 터미널을 의미합니다.
- 공인 제조사에서 제공한 전원 어댑터를 사용하십시오. 자세한 전원 요구 사항은 제품 사양을 참조하십시오.

배터리

- 배터리를 잘못된 유형으로 교체하면 폭발의 위험이 있습니다. 사용한 배터리는 지침을 준수해 폐기하십시오.
- 내장된 배터리는 분해할 수 없습니다. 수리가 필요한 경우 제조사에 연락하십시오.
- 배터리를 장기간 보관하는 경우 배터리의 품질을 보장하기 위해 6개월마다 완충하십시오. 그렇지 않을 경우 손상될 수 있습니다.
- 이 장비는 어린이가 있을 수 있는 장소에서 사용하기에 적합하지 않습니다.
- 배터리를 잘못된 유형으로 부적절하게 교체하면 안전장치가

- 작동하지 않을 수 있습니다(예: 일부 리튬 배터리 유형의 경우). 배터리를 불 또는 뜨거운 오븐에 넣거나 기계적으로 부수거나 절단하지 마십시오. 폭발의 위험이 있습니다.
- 배터리를 주변 온도가 매우 높은 곳에 두지 마십시오. 폭발하거나 인화성 액체 또는 기체가 누출될 수 있습니다.
- 배터리를 기압이 매우 낮은 곳에 두지 마십시오. 폭발하거나 인화성 액체 또는 기체가 누출될 수 있습니다.
- 공인 제조사에서 제공한 배터리를 사용하십시오. 자세한 배터리 요건은 제품 사양을 참조하십시오.
- 사용한 배터리는 지침을 준수해 폐기하십시오.

설치

- 장비를 불안정한 장소에 놓아서는 절대 안 됩니다. 장비가 추락해 심각한 부상 또는 사망을 초래할 수 있습니다.
- 이 장비는 해당하는 브래킷만 사용할 수 있습니다. 다른 브래킷(카트, 스탠드 또는 캐리어)을 사용하면 불안정해져 부상을 초래할 수 있습니다.

시스템 보안

- 귀하는 인터넷의 특성상 본질적으로 보안 위험이 잠재해 있음을 인정하며, 당사는 사이버 공격, 해커 공격, 바이러스 감염 또는 기타 인터넷 보안 위험으로 인해 발생한 비정상 작업, 개인정보 유출 또는 기타 손해에 대해 일절 책임지지 않습니다. 그러나 당사는 필요한 경우 시기적절하게 기술 지원을 제공합니다.
- 인터넷에 연결되어 있는 경우 네트워크 보안 문제가 발생할 수 있으므로 개인정보 보호 및 데이터 보안을 강화해 주시기 바랍니다. 장비에 네트워크 보안 위험이 있을 수 있는 경우 당사에 연락해 주십시오.
- 귀하는 장비와 관련된 모든 비밀번호 및 기타 보안 설정을 구성하고 사용자 이름 및 비밀번호를 관리할 책임이 있음을 이해합니다.

유지 관리

- 제품이 제대로 작동하지 않을 경우 판매점 또는 가까운 서비스 센터에 문의하십시오. 당사는 무단 수리 또는 유지 관리로 인해 발생한 문제에 대해 일절 책임지지 않습니다.
- 장비의 일부 구성 요소(예: 전해 커패시터)는 주기적으로 교체해야 합니다. 평균 수명은 상황에 따라 다르므로 정기 점검을 권장합니다. 자세한 내용은 판매점에 문의하십시오.
- 필요한 경우 깨끗한 헝겊에 에탄올을 소량 묻혀 장비를 살살 닦아주세요.
- 부드러운 브러시나 공기식 먼지 제거 볼을 사용해 먼지를 털어내십시오.
- 제조사가 지정하지 않은 방식으로 장비를 사용하는 경우 장비에 의해 제공되는 보호 성능이 손상될 수 있습니다.
- 화재의 위험을 방지하기 위해 유형 및 등급이 동일한 퓨즈로만 교체하십시오.

- 장비의 시리얼 포트는 디버깅에만 사용됩니다.

사용 환경

- 작동 환경이 장비의 작동 요구 사항을 충족하도록 하십시오. 작동 온도는 0°C~50°C(32°F~122°F)여야 하며 작동 습도는 95% 이하여야 합니다.
- 장비를 전자파 방사가 높거나 먼지가 많은 환경에 노출하지 마십시오.
- 렌즈를 태양 또는 기타 밝은 빛에 조준하지 마십시오.
- 물이 떨어지거나 튀는 곳에 장비를 노출되어서는 안 되며 꽃병과 같이 액체가 들어 있는 물체를 장비 위에 두어서는 안 됩니다.
- 불이 켜진 촛불과 같이 불꽃이 드러나는 화염원을 장비 위에 놓지 마십시오.
- 산 정상, 철탑, 숲과 같은 특수한 조건에서 장비의 인렛 개구부에 서지 억제기를 사용하십시오.
- ▲ 기호가 있는 부품을 취급할 때는 손가락에 화상을 입을 수 있습니다. 부품을 다루기 전에 전원을 끈 후 약 30분 기다리십시오.

비상 버튼

장비에서 연기, 냄새 또는 소음이 발생하면 즉시 전원을 끄고 전원 케이블을 뽑은 다음 서비스 센터에 연락하십시오.

제조사 주소

중국저장성310052항저우빈장구시싱하위지구단평가 399 빌딩 2, B동, 룸 313

Hangzhou Microimage Software Co., Ltd.

규정 준수 알림: 열화상 시리즈 제품은 미국, 유럽 연합, 영국 및/또는 기타 바세나르 협정국을 포함하되 이에 국한되지 않고 여러 국가 및 지역의 수출 통제 대상이 될 수 있습니다. 열화상 시리즈 제품을 국가 간 운송, 수출, 재수출하려는 경우 필요한 수출 라이선스 요구 사항에 대해 법률 또는 규정 준수 전문가 또는 해당 국가의 정부 기관에 문의하십시오.

日本語

1.概要

1.1 概要

サーモグラフィックネットワークボックスカメラは、リモートインターネット監視、ビデオサーバー、およびHDカメラ機能を統合したデバイスです。

リモート送信、プレビュー、および設定は、ブラウザやクライアントを介して実現できます。デバイスは、複雑なケーブル配線なしで簡単にインストールできます。

単体で使用することもできますが、ロボットなどのデバイスと組み合

わせて、機器のメンテナンス、故障の検知、産業プロセス制御などのロボットのようなデバイスにすることもできます。

1.2 部品とインターフェイス (1 ページ - A)

番号	コンポーネントとインターフェイス	説明
1	サーマルレンズ	熱画像のビュー
2	M3ネジ穴	ネジを取り付けます。
3	ネットワークインジケータ	<ul style="list-style-type: none"> ● フラッシュ: ネットワークデータを送信します。 ● 点灯: ネットワークは接続されていますが、データを送信してません。
4	ネットワークインターフェイス	RJ-45、ネットワーク通信
5	I/Oインターフェイス	電源に接続し、データを送信します。
6	リセットボタン	このボタンを10秒間押してから離すと、デバイスが工場設定に復元されます。
7	アースネジ	電気的な安全性を確保するため、アース端子に接続してください。
8	電源インジケータ	<ul style="list-style-type: none"> ● 緑色で点灯: 動作中。 ● 赤色点灯: システムが動作しています。

1.3 電氣的インターフェイスのピン配列 (3 ページ - B)

番号	シグナル	説明
1	電源	電源入力
2	GND	アース
3	RS232 RX	デバイスのセットアップ
4	RS232 TX	デバイスのセットアップ
5	ALARM IN	1, アラーム入出力
6	ALARM OUT	
7	RS485-	RS-485シリアルポート通信インターフェイス
8	RS485+	
9	GND	アナログビデオ出力
0	CVBS	

2.設置

始める前に:

- パッケージの中の機器の状態に問題がなく、すべての組立部品が含まれていることを確認してください。デバイス寸法の仕様を確認してください。
- デバイスとアクセサリが設置できる十分なスペースがあることを確認してください。
- 壁面には、システムとマウントの重量の 8 倍の重量に耐えられる十分な強度があることを確認してください。
- 設置作業中はすべての関連装置の電源がオフになっていることを確認します。
- デバイスを移動させる際にケーブルを引きずらないでください。落下したり、インターフェイスやケーブルの性能に影響が出ることがあります。

2.1 デバイスの設置

応用シナリオや各種デバイスとの組み合わせに応じて、適切な設置方法を選択してください

注:

デバイス容器は防水ではありません。本デバイスを直射日光下にさらしたり、屋外環境に単独で設置することはできません。本デバイスを他のカメラと組み合わせるよう推奨されます。

2.1.1 1/4-20UNCネジブラケットへのデバイスの設置 (4ページ -C)

手順:

1.M3 ネジで、デバイスにピンボードを固定します。

2.1/4-20UNC ネジで、指定の向きの位置にデバイスを固定します。

2.1.2 測位システムへのデバイスの設置 (4ページ -D)

PTZやロボットなどの測位システムと本デバイスを組み合わせる場合、4個のM3ネジ穴を使用してデバイスを固定するようお勧めします。

2.2 設置の完了

対応するケーブルを接続して、電源を入れます。ライブビューイメージが正常に作動することを確認して、設置を終了します。

- ライブビューイメージが正常に作動すれば、設置は完了です。
- デバイスが正常であるにもかかわらずデバイスが起動しない場合、デバイスケーブルのインターフェイスを確認してください。ケーブルの接続が正常である場合は、ケーブルを確認してください。


3.ネットワークカメラの起動とアクセス


www.hikmicrotech.com にアクセスしてHIKMICRO Studioをダウンロードしてください。操作の詳細についてはデバイスのユーザーマニュアルを参照してください。


規制情報

これらの条項は、対応するマークまたは情報が付された製品にのみ適用されます。

EU 適合宣言

 本製品および同梱の周辺機器（適用可能な場合）には「CE」マークが付いており、指令（2014/30/EU）(EMCD)、指令（2014/35/EU）(LVD)、およびRoHS指令（2011/65/EU）に掲げる適用可能な欧州統一基準に準拠します。

 指令2012/19/EU (WEEE 指令)：この記号が付いている製品は、欧州連合 (EU) の地方自治体の未分別廃棄物として処分できません。適切にリサイクルするために、本製品は同等の新しい装置を購入する際に、お近くの販売業者に返却いただくか、指定された収集場所で処分してください。より詳細な情報については以下をご確認ください。www.recyclethis.info

 指令2006/66/ECおよびその修正案2013/56/EU (バッテリー指令)：本製品には、欧州連合 (EU) の地方自治体の未分別廃棄物として処分できないバッテリーが含まれています。特殊バッテリー情報に関する製品資料をご覧ください。バッテリーにはこの記号が付いており、カドミウム (Cd)、鉛 (Pb)、水銀 (Hg) を示す文字も記載されています。適切にリサイクルするために、販売業者か、指定された収集場所にご返却ください。より詳細な情報については以下をご確認ください。www.recyclethis.info

安全上の指示

これらの指示は、ユーザーが製品を正しく使用し、危険や財産損失を回避できるように保証することを目的としています。

法規と規則

製品の使用にあたって、お住まいの地域の電気安全性に関する法令を厳密に遵守する必要があります。

輸送

- 輸送中は、デバイスを元のパッケージまたは類似したパッケージに梱包してください。
- 開梱後は、後日使用できるように、梱包材を保存しておいてください。不具合が発生した場合、元の梱包材を使用して工場に機器を返送する必要があります。元の梱包材を使用せずに返送した場合、破損が発生する恐れがありますが、その際に、当社は一切責任を負いません。
- 製品を落下させたり、物理的な衝撃を与えないでください。本器を電磁妨害から遠ざけてください。

電源

- 入力電圧は、IEC62368規格の限定電源（10V DC～30V DC）を満たす必要があります。詳細情報に関しては技術仕様を参照してください。

- プラグが適切に電源ソケットに接続されていることを確認してください。
- ソケットアウトレットは、簡単にアクセスできるように、機器の近くに取り付けてください。
- 1台の電源アダプターに2台以上の機器を接続してはなりません。過負荷によって過熱したり、火災発生の危険があります。
- サーキットブレーカーをオンにしたら、インレットの金属接点に直接指を触れないでください。通電されています。
- +は、直流で使用されるか、または直流の電流を生成する機器の正極端子を識別します。-は、直流で使用されるか、または直流の電流を生成する機器の負極端子を識別します。
- 正規メーカーより供給された電源アダプターを使用してください。電源の詳細な要件については、製品仕様を参照してください。

バッテリー

- バッテリーを不正な種別のものと交換すると爆発の危険があります。使用済みバッテリーは、指示に従って廃棄してください。
- 内蔵バッテリーは取り外しできません。修理については必要に応じてメーカーにお問い合わせください。
- バッテリーを長期保存する場合は、半年に一度はフル充電して、バッテリーの品質を保つようにしてください。これを怠った場合、破損の原因となります。
- この機器は、子供が近づく可能性のある場所での使用には適していません。
- 不正な種別のバッテリーとの不適切な交換は、安全装置を無効にする場合があります(たとえば、一部のリチウムバッテリータイプの場合など)。
- バッテリーを火や高温のオープンの中に投入したり、バッテリーを機械的に粉碎したり切断したりしないでください。爆発の原因となることがあります。
- バッテリーを非常に高温の環境に放置しないでください。爆発や、可燃性の液体およびガスの漏出を引き起こす可能性があります。
- バッテリーを極端に低い空気圧下に置かないでください。爆発したり、可燃性の液体やガスが漏出することがあります。
- 認定メーカーのバッテリーをご使用ください。バッテリーの詳細な要件については、製品仕様を参照してください。
- 使用済みバッテリーは、指示に従って廃棄してください。

設置

- 機器は不安定な場所に置かないでください。機器が落下して、使用者が死亡したり怪我を負う恐れがあります。
- この機器は、対応するブラケットでのみ使用できます。他のもの(カート、スタンド、キャリア)などで使用すると、不安定になり、けがをする可能性があります。

システムのセキュリティ

- お客様は、インターネットにはその性質上固有のセキュリティリスクがあることを了解し、異常動作、プライバシーの流出、また

はサイバー攻撃やハッカー攻撃などによるその他の損害について、当社は一切責任を負いません。ただし、必要に応じて当社は適時技術的サポートを提供します。

- インターネットに接続するとデバイスがネットワークセキュリティの問題に直面することがありますから、個人情報やデータセキュリティを確実に保護してください。デバイスにネットワークセキュリティのリスクがある場合は、当社にご連絡ください。
- お客様は、デバイスに関するすべてのパスワードやその他のセキュリティ設定を行い、ユーザー名とパスワードを保管する責任があることをご理解ください。

メンテナンス

- 製品が正しく動作しない場合、販売店または最寄りのサービスセンターに連絡してください。承認されていない修理や保守行為による問題について、当社はいかなる責任も負いません。
- 一部のデバイスコンポーネント（電解コンデンサなど）は、定期的に交換する必要があります。製品の平均寿命は変動するため、定期的な点検をお勧めします。詳細については、販売店にお問い合わせください。
- 必要ならば、エタノールを少量含ませたきれいな布でデバイスを静かに拭きます。
- 柔らかいブラシかラバーエアダストブローで、埃を吹き飛ばします。
- メーカーが指定していない方法で使用した場合、デバイスが提供する保護機能が損なわれる恐れがあります。
- 火災の危険を減らすために、ヒューズは同じ種類、定格のものとのみ交換してください。
- 機器のシリアルポートはデバッグの目的にのみ使用されます。

使用環境

- 実行環境がデバイスの要件を満たしていることを確認します。動作温度は0°C～50°C (32°F～122°F)で、動作湿度は95%以下です。
- デバイスを強い電磁波や埃の多い環境にさらさないでください。
- レンズを太陽や極端に明るい場所に向けしないでください。
- 機器を水滴や水しぶきにさらさないでください。また、花瓶などの液体が入った物を機器の上に置かないでください。
- ろうそくの火のような裸火を機器の上に置かないでください。
- 山頂、鉄塔、森林などの特殊な状況では、機器のインレット開口にサージ防護機器を設置してください。
- 記号▲の付いた部分に手を触れると火傷します。スイッチを切った後30分経過してから、部品に手を触れてください。

緊急

デバイスから煙や異臭、異音が発生した場合、すぐに電源を切り、電源ケーブルを抜いて、サービスセンターにご連絡ください。

メーカー住所

310052 中国浙江省杭州市滨江区西興地区段鳳通り399号2棟ユニットB

法令順守通知：本サーマルシリーズ製品は、アメリカ合衆国、欧州連合、英国などワッセナー・アレンジメントの会員国を含むがそれだけに限定されない各国・各地域で、輸出管理の対象となる可能性があります。サーマルシリーズ製品を外国へ転送・輸出・再輸出する場合は、貴社の法務・コンプライアンス部門もしくは自国の政府機関に、輸出ライセンスの条件についてご確認ください。

Bahasa Indonesia

1. Gambaran Umum

1.1 Deskripsi Singkat

Kamera persegi jaringan termografis adalah perangkat yang mengintegrasikan fungsi pengawasan Internet jarak jauh, server video, dan kamera HD.

Transmisi jarak jauh, pratinjau, dan konfigurasi dapat diwujudkan melalui peramban dan klien. Perangkat ini dapat dipasang dengan mudah tanpa sistem pengabelan terstruktur.

Kamera ini dapat digunakan secara mandiri, atau dikombinasikan dengan perangkat seperti robot untuk masuk ke dalam perangkat misalnya robot untuk pemeliharaan peralatan, deteksi kesalahan, kontrol proses industri, dll.

1.2 Komponen & Antarmuka (Halaman 1 – A)

No.	Komponen & Antarmuka	Deskripsi
1	Lensa Termal	Menampilkan citra termal
2	Lubang Baut M3	Pemasangan sekrup.
3	Indikator Jaringan	<ul style="list-style-type: none"> ● Berkedip: Mentransmisikan data jaringan. ● Solid: Jaringan terhubung tanpa transmisi data.
4	Antarmuka Jaringan	RJ-45, komunikasi jaringan
5	Antarmuka I/O	Menghubungkan ke catu daya dan mentransmisikan data.
6	Tombol Reset	Tekan selama 10 dtk dan lepaskan tombol, perangkat akan dikembalikan ke pengaturan pabrik.
7	Sekrup Pembumian	Menghubungkan ke terminal pembumian untuk memastikan keamanan kelistrikan.
8	Indikator Daya	<ul style="list-style-type: none"> ● Hijau Pekat: Beroperasi. ● Merah Pekat: Sistem beroperasi.

1.3 Pin Antarmuka Listrik (Halaman 3 – B)

No.	Sinyal	Deskripsi
1	Daya	Input Daya
2	GND	Pentanahan
3	RS232 RX	Penyiapan Perangkat

4	RS232 TX	Penyiapan Perangkat
5	ALARM IN	1, Input dan Output Alarm
6	ALARM OUT	
7	RS485-	Antarmuka Komunikasi Port Seri RS-485
8	RS485+	
9	GND	Output Video Analog
0	CVBS	

2. Pemasangan

Sebelum Anda memulai:

- Pastikan perangkat dalam kemasan kondisinya bagus dan semua bagian-bagiannya disertakan. Periksa spesifikasi dimensi perangkat.
- Pastikan ada ruang yang cukup untuk memasang perangkat dan aksesorinya.
- Pastikan dinding cukup kuat untuk menahan setidaknya 8 kali berat sistem dan dudukannya.
- Pastikan daya semua peralatan dimatikan selama pemasangan.
- Jangan menarik kabel saat memindahkan perangkat karena dapat menyebabkan perangkat jatuh atau memengaruhi kinerja antarmuka dan kabelnya.

2.1 Pemasangan Perangkat

Harap pilih metode pemasangan yang sesuai dengan skenario penggunaan dan penggabungan dengan perangkat yang berbeda

Catatan:

Selubung perangkat tidak anti-air. Perangkat ini tidak boleh terpapar matahari dan dipasang secara terpisah di lingkungan luar ruangan. Disarankan untuk menggabungkan perangkat dengan kamera lain.

2.1.1 Pemasangan Perangkat ke Braket Sekrup 1/4-20UNC (Halaman 3 – C)

Langkah-langkah:

1. Eratkan papan pin ke perangkat dengan sekrup M3.
2. Eratkan perangkat dengan sekrup 1/4-20UNC ke lokasi yang ditentukan.

2.1.2 Pemasangan Perangkat ke Sistem Penentuan Posisi (Halaman 4 – D)

Disarankan untuk menggunakan empat lubang baut M3 untuk mengeratkan perangkat saat menggabungkan perangkat dengan sistem penentuan posisi seperti PTZ atau robot.

2.2 Menyelesaikan pemasangan

Hubungkan kabel yang sesuai dan nyalakan perangkat. Pastikan gambar tampilan langsung dapat berfungsi normal kemudian selesaikan pemasangan.

- Jika gambar tampilan langsung berfungsi dengan normal, pemasangan selesai.
- Jika perangkat gagal menyala ketika perangkat dalam kondisi normal, harap periksa antarmuka kabel perangkat; Jika koneksi kabel normal, periksa kabelnya.

3. Mengaktifkan dan Mengakses Kamera Jaringan

Kunjungi www.hikmicrotech.com untuk mengunduh dan menginstal HIKMICRO Studio. Lihat panduan pengguna perangkat untuk detail

mengenai pengoperasian.

Informasi Terkait Peraturan

Klausul ini hanya berlaku untuk produk yang memuat tanda atau informasi yang sesuai.

Pernyataan Kepatuhan Terhadap UE



Produk ini dan - jika berlaku - juga aksesori yang disediakan mencantumkan tanda "CE" dan oleh karena itu mematuhi standar harmonisasi Eropa yang berlaku berdasarkan Direktif 2014/30/EU (EMCD), Direktif 2014/35/EU (LVD), dan Direktif 2011/65/EU (RoHS).



Direktif 2012/19/EU (WEEE Directive): Produk yang bertanda simbol ini tidak boleh dibuang sebagai sampah umum yang tidak disortir di wilayah Uni Eropa. Agar dapat didaur ulang sesuai ketentuan, kembalikan produk ini ke toko terdekat saat Anda

membeli peralatan pengganti yang baru, atau buang pada titik pengumpulan yang ditentukan. Untuk informasi lebih lengkap, kunjungi: www.recyclethis.info.



Direktif 2006/66/EC dan amendemennya 2013/56/EU (Direktif Baterai): Produk ini berisi baterai yang tidak boleh dibuang sebagai sampah umum yang tidak disortir di wilayah Uni Eropa.

Lihat dokumentasi produk untuk informasi spesifik tentang baterai. Baterai ini ditandai dengan simbol ini, yang mungkin disertai huruf untuk menandakan kadmium (Cd), timbal (Pb), atau merkuri (Hg). Agar dapat didaur ulang sesuai ketentuan, kembalikan baterai ke toko atau titik pengumpulan yang ditentukan. Untuk informasi lebih lengkap, kunjungi: www.recyclethis.info.

Petunjuk Keselamatan

Instruksi ini ditujukan untuk memastikan pengguna dapat menggunakan produk dengan benar dan menghindari bahaya atau kerugian materiil.

Undang-Undang dan Peraturan

Penggunaan produk ini harus sepenuhnya mematuhi peraturan setempat tentang keselamatan perangkat listrik.

Transportasi

- Kemas perangkat dalam kemasan aslinya atau yang serupa saat memindahkannya.
- Simpan wadah setelah perangkat dikeluarkan untuk digunakan lagi jika perlu. Kembalikan perangkat yang mengalami kegagalan apa pun ke pabrik dalam wadah aslinya. Perangkat yang diangkut tanpa wadah aslinya dapat mengalami kerusakan dan perusahaan tidak bertanggung jawab atas hal tersebut.
- Jangan menjatuhkan produk atau membuatnya terkena guncangan fisik. Jauhkan perangkat dari gangguan magnetis.

Catu Daya

- Tegangan input harus sesuai Catu Daya Terbatas (10 VDC hingga 30 VDC) menurut standar IEC62368. Silakan lihat spesifikasi teknis untuk informasi terperinci.
- Pastikan steker terhubung dengan benar ke soket daya.

- Pasang lubang stopkontak di dekat peralatan dan di lokasi yang mudah dijangkau.
- JANGAN menghubungkan beberapa perangkat ke satu adaptor daya, untuk menghindari panas berlebih atau bahaya kebakaran karena muatan berlebih.
- JANGAN menyentuh kontak logam terbuka pada inlet setelah pemutus arus dimatikan. Aliran listrik masih ada.
- + menandai terminal positif peralatan yang digunakan dengan, atau menghasilkan arus searah. - menandai terminal negatif peralatan yang digunakan dengan, atau menghasilkan arus searah.
- Gunakan adaptor daya yang disediakan oleh produsen yang memenuhi syarat. Baca spesifikasi produk untuk mengetahui tentang persyaratan daya secara detail.

Baterai

- Risiko ledakan jika baterai diganti dengan jenis yang salah. Buang baterai bekas sesuai petunjuk.
- Baterai bawaan tidak boleh dibongkar. Harap menghubungi produsen untuk perbaikan jika perlu.
- Untuk penyimpanan jangka panjang, pastikan baterai terisi penuh setiap setengah tahun untuk memastikan kualitasnya. Jika tidak, bisa terjadi kerusakan.
- Peralatan ini tidak cocok untuk digunakan di lokasi anak-anak beraktivitas.
- Penggantian baterai yang tidak tepat dengan baterai dari jenis yang salah dapat memengaruhi keamanan (misalnya, untuk beberapa jenis baterai lithium).
- Jangan membuang baterai ke dalam api atau oven panas, atau menghancurkan atau memotongnya secara mekanis, karena dapat menyebabkan ledakan.
- Jangan meletakkan baterai di lingkungan yang bersuhu sangat tinggi, karena dapat menyebabkan ledakan atau kebocoran cairan atau gas yang mudah terbakar.
- Jangan membiarkan baterai terpapar tekanan udara yang sangat rendah, karena dapat menyebabkan ledakan atau kebocoran cairan atau gas yang mudah terbakar.
- Gunakan baterai yang disediakan oleh produsen yang memenuhi syarat. Baca spesifikasi produk untuk mengetahui tentang persyaratan baterai secara detail.
- Buang baterai bekas sesuai petunjuk.

Pemasangan

- Jangan memasang peralatan ini di lokasi yang tidak stabil. Peralatan bisa jatuh dan menyebabkan cedera serius hingga kematian.
- Gunakan peralatan ini dengan braket yang ditentukan saja. Penggunaan dengan alat lain (kereta dorong, meja, atau tas) dapat menyebabkan peralatan jatuh dan menyebabkan cedera.

Keamanan Sistem


- Anda mengakui bahwa sifat Internet menghadirkan risiko keamanan yang melekat, dan perusahaan kami tidak bertanggung jawab atas abnormalitas pengoperasian, kebocoran privasi, atau kerusakan lain akibat serangan siber, serangan peretas, namun, perusahaan kami akan menyediakan dukungan teknis secara berkala jika dibutuhkan.
- Terapkan perlindungan informasi pribadi dan keamanan data karena perangkat dapat mengalami masalah keamanan jaringan saat terhubung ke internet. Hubungi kami jika perangkat berpotensi mengalami risiko keamanan jaringan.
- Harap dipahami bahwa Anda bertanggung jawab untuk mengkonfigurasi semua kata sandi dan setelan keamanan lainnya terkait perangkat, serta simpan nama pengguna dan kata sandi Anda.

Pemeliharaan

- Jika produk tidak berfungsi dengan baik, hubungi dealer atau pusat servis terdekat. Kami tidak bertanggung jawab atas masalah yang disebabkan oleh perbaikan atau perawatan yang tidak resmi.
- Beberapa komponen perangkat (mis., kapasitor elektrolitik) harus diganti secara rutin. Masa pakai rata-rata bervariasi, jadi disarankan melakukan pemeriksaan periodik. Hubungi dealer Anda untuk informasi selengkapnya.
- Usap perangkat secara lembut dengan kain bersih dan sedikit etanol, jika diperlukan.
- Gunakan sikat lembut atau balon pengembus debu untuk mengibaskan debu.
- Jika perangkat digunakan dengan cara yang tidak sesuai dengan yang ditetapkan produsen, perlindungan dari perangkat mungkin tidak berfungsi maksimal.
- Untuk mengurangi risiko kebakaran, ganti sekering dengan tipe dan rating yang sama saja.
- Gunakan port seri peralatan untuk debugging saja.

Lingkungan Penggunaan

- Pastikan lingkungan tempat beroperasi memenuhi ketentuan perangkat. Suhu pengoperasian harus antara 0 °C hingga 50 °C (32 °F hingga 122 °F), dan kelembapan pengoperasian harus antara 95% atau kurang.
- JANGAN membiarkan perangkat terpapar radiasi elektromagnetik atau lingkungan yang berdebu.
- JANGAN mengarahkan lensa ke matahari atau cahaya terang lainnya.
- Lindungi peralatan dari tetesan atau cipratan dan jangan menaruh benda berisi cairan, misalnya vas, di atas peralatan.
- Jangan menempatkan sumber nyala terbuka, misalnya lilin, di atas peralatan.
- Sediakan penekan lonjakan pada bukaan inlet peralatan dalam kondisi khusus, seperti puncak gunung, menara besi, dan hutan.

- Jari yang terbakar saat menangani komponen dengan simbol . Tunggu satu setengah jam setelah peralatan dimatikan sebelum menangani komponen.

Darurat

Jika muncul asap, bau, atau derau dari perangkat, segera matikan perangkat, cabut kabel daya, lalu hubungi pusat servis.

Alamat Produsen

Ruang 313, Unit B, Gedung 2, Jalan Danfeng 399, Sub-distrik Xixing, Distrik Binjiang, Hangzhou, Zhejiang 310052, China
Hangzhou Microimage Software Co., Ltd.

PENGUMUMAN KEPATUHAN: Produk seri termal ini mungkin tunduk pada kontrol ekspor di berbagai negara atau kawasan, termasuk tak terbatas, Amerika Serikat, Uni Eropa, dan/atau negara-negara lain anggota Kesepakatan Wassenaar. Hubungi ahli hukum atau kepatuhan profesional atau otoritas pemerintah setempat untuk persyaratan lisensi impor yang dibutuhkan jika Anda bermaksud mentransfer, mengekspor, mengekspor kembali produk seri termal antar negara.



HIKMICRO

See the World in a New Way

UD29777B-A