

HM-701ZJ-G01-SHIELD

Sun Shield



Compatible with the following products: G series.

This sun shield clips onto the HIKMICRO G Series thermal imaging camera and blocks excess sunlight to reduce lens flare and glare. It increases the visibility of the LCD, making it easier to view the screen in bright outdoor conditions.

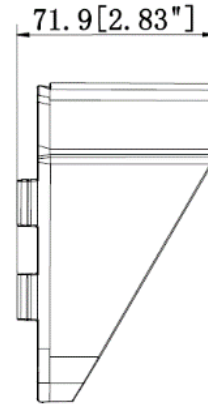
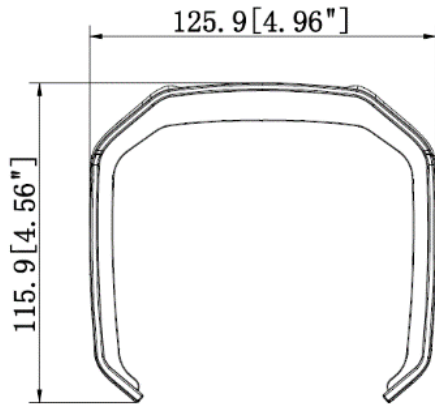
Specification

| General | |
|---------------------------|--|
| Working Temperature Range | -20°C to 50°C (-4°F to 122 °F) |
| Storage Temperature Range | -20°C to 50°C (-4°F to 122 °F) |
| Relative Humidity | < 95 %, non-condensing |
| Material | PC + ABS |
| Dimension | 125.9 mm × 115.9 mm × 71.9 mm (4.9" × 4.5" × 2.8") |
| Weight | 54 g |

Available Model

HM-701ZJ-G01-SHIELD

Dimension



Unit: mm [Inch]

COMPLIANCE NOTICE: The thermal series products might be subject to export controls in various countries or regions, including without limitation, the United States, European Union, United Kingdom and/or other member countries of the Wassenaar Arrangement. Please consult your professional legal or compliance expert or local government authorities for any necessary export license requirements if you intend to transfer, export, re-export the thermal series products between different countries.



 HIKMICRO Thermography  hikmicro_thermography  HIKMICRO Thermography  HIKMICRO  info@hikmicrotech.com  <http://hikmicrotech.com/en>

room 313, unit B, building 2, 399 danfeng road, xixing subdistrict, binjiang district, hangzhou, zhejiang
@hangzhou microimage software co., Ltd .2020 | data subject to change without notice!