

## G60 Handheld Thermal Camera



HIKMICRO G60 Handheld Thermal Camera is specially designed for temperature measurement. It's equipped with a 640 × 480 resolution thermal detector. It helps the staff to quickly find the high-temperature targets in the environment. Meanwhile, it provides assistance with decisions and ensures safety. The device is mainly applied to various industries, such as Building, HVAC, auto industry, etc.

### Key Feature

- High sensitivity thermal module with 640 × 480 resolution
- Leading thermal image processing technology: Adaptive AGC, DDE, 3D DNR
- Supports multiple palettes
- High quality optical module with 8 MP resolution
- Bi-spectrum image fusion, picture-in-picture preview
- Wide temperature measurement range: -20°C to 650°C (-4°F to 1202°F)
- High temperature measurement accuracy: Max. ( $\pm 2^{\circ}\text{C}/3.6^{\circ}\text{F}$ ,  $\pm 2\%$ )
- High-calibre 800 × 480 resolution 4.3" LCD touch display
- Long-distance laser light supplement for thermography targets
- LED light supplement makes the device a torch in required scenarios
- Supports 1.0x to 8.0x continuous digital zoom

## ▪ Specification

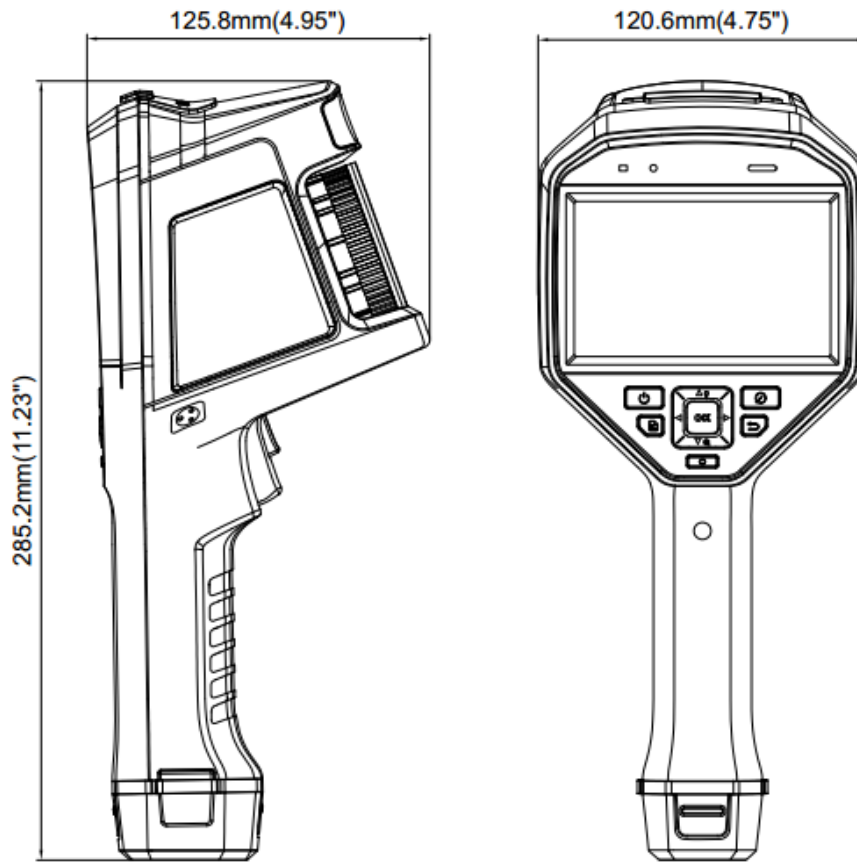
<b>Infrared Image</b>	
IR Resolution	640 × 480 (307,200 pixels)
SuperIR	1280 × 960 (1,228,800 pixels)
NETD	< 35 mK (@ 25°C, F# = 1.0)
Image Frequency	50 Hz
Detector Pitch	17 μm
Spectral Range	7.5 μm to 14 μm
Focal Length	25 mm
F-number	F1.0
Field of View (FOV)	25° × 19°
Spatial Resolution (IFOV)	0.68 mrad
Min. Focus Distance	0.2 m (0.65 ft)
Focus Mode	Laser Assisted AF/Continuous AF/AF/Manual Focus/Touch AF
Focus Speed	Approx. 3 second
<b>Image Display</b>	
Visual Camera	3264 × 2448 (8 MP)
Display	800 × 480 Resolution, 4.3" LCD Touch Screen
Screen Brightness	Manual/Auto
Digital Zoom	1.0x to 8.0x continuous
Color Palettes	White Hot, Black Hot, Rainbow, Ironbow, Red Hot, Fusion, Rain, Blue Red
Focus Mode Palette	Above/Below/Interval
Color Alarm	Above/Below/Interval/Insulation
Image Modes	Infrared/Visual/Fusion/PIP/Blending
<b>Measurement and Analysis</b>	
Object Temperature Range	-20°C to 650°C (-4°F to 1202°F)
Accuracy	Max. (± 2°C/3.6°F, ± 2%)
Measurement Tools	Center Spot, Hot Spot, Cold Spot User-definable: 10 spots, 1 line, 5 rectangles, and 5 circle
Level and Span Mode	Auto/Manual/1-Tap Touch-screen
Inspection Route	Yes
<b>Data Storage and Communication</b>	
Storage Media	Removable 64 GB Micro SD Card
Image Storage Capacity	Approx. 60,000 Images
Annotations	Voice note: max. 60 seconds; Text note: max. 200 characters
Video Storage Capacity	Approx. 54 hours
Video File Format	MP4 video and radiometric video
<b>General</b>	
Wi-Fi	802.11 b/g/n (2.4 GHz and 5 GHz)
Bluetooth	Bluetooth 4.2
USB Interface	USB Type-C
Laser	Class II, Wavelength: 635 nm; Power:< 1 mW
Battery Type	Interchangeable and rechargeable Li-ion battery

Laser Distance Meter	Indoor distance: 50 m (164 ft); Outdoor distance: 10 m (33 ft).
Battery Charging Time	Approx. 4 hours fully charged
Battery Operating Time	Approx. 4 hours
Power Saving Mode	Yes
Protection Level	IP54, IEC 60529
LED Light	Yes
Drop Test Height	2 m (6.56 ft), IEC 60068-2-31
Safety	IEC 61010-1
EMC	EN 301 489-1, EN 301 489-17, EN IEC 61000-6-2, EN IEC 61000-6-3
Vibration	2 g, IEC 60068-2-6
Shock	25 g, IEC 60068-2-27
Working Temperature Range	-20°C to 50°C (-4°F to 122°F)
Storage Temperature Range	-20°C to 60°C (-4°F to 140°F)
Relative Humidity	< 95% non-condensing
Weight	Approx. 1000 g (2.20 lb)
Dimension	285.2 mm × 120.6 mm × 125.8 mm (11.2" × 4.7" × 4.9")
Tripod Mounting	UNC ¼"-20

### ▪ Available Model

HM-TP76-25SVF/W-G60

## Dimension



Unit: mm [inch]

## Optional Accessories



HM-701ZJ-G01-SHIELD



HM-G605-LENS



HM-SP01-POUCH



INR18650-35E-1S2P



HM-5202ZC2








HM-G620-LENS



HM-G630-LENS

COMPLIANCE NOTICE: The thermal series products might be subject to export controls in various countries or regions, including without limitation, the United States, European Union, United Kingdom and/or other member countries of the Wassenaar Arrangement. Please consult your professional legal or compliance expert or local government authorities for any necessary export license requirements if you intend to transfer, export, re-export the thermal series products between different countries.



 HIKMICRO Thermography  hikmicro\_thermography  HIKMICRO Thermography  HIKMICRO  info@hikmicrotech.com  <http://hikmicrotech.com/en>

© 2023 Hangzhou HIKMICRO Sensing Technology Co., Ltd. All Rights Reserved.  
Data subject to change without notice!